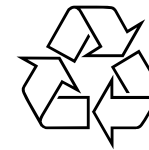


MP3-CD Soundmachine

AZ1032

Meet Philips at the Internet
<http://www.philips.com>

- User manual
- Manuel d'utilisation
- Manual del usuario
- Benutzerhandücher



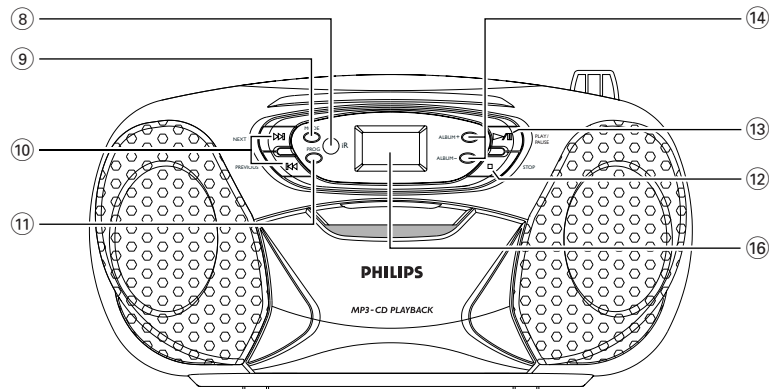
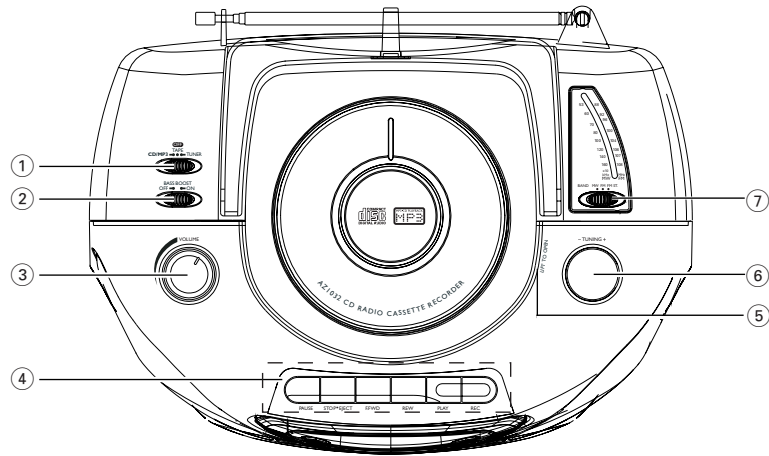
PHILIPS



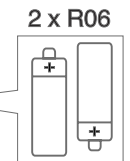
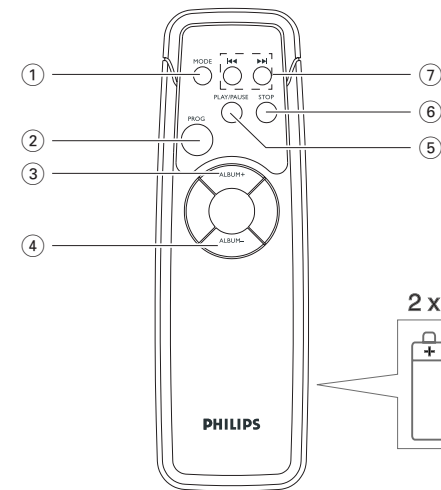
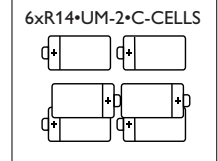
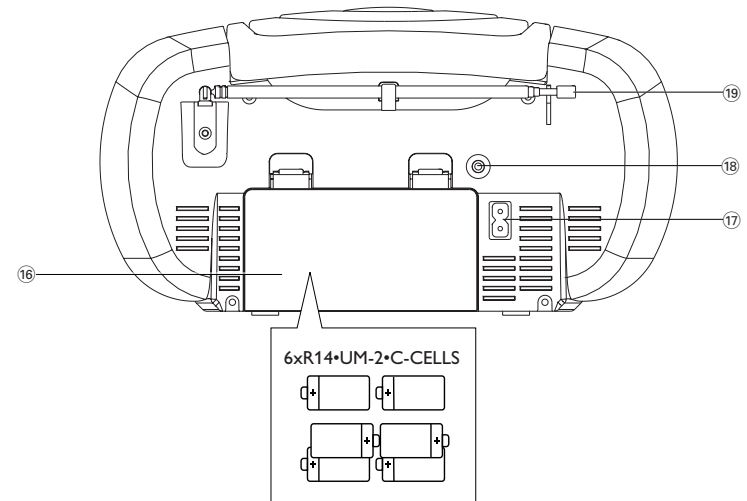
Printed in China

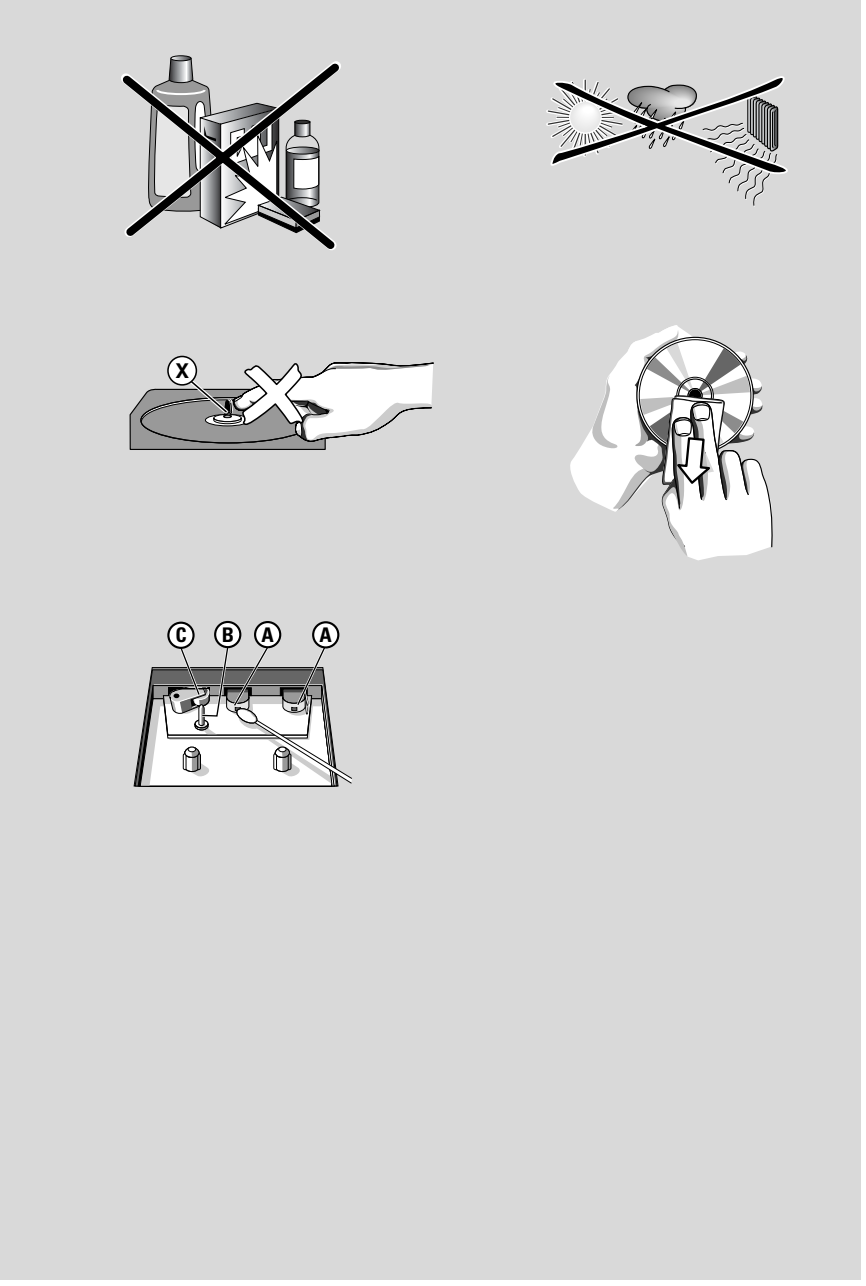
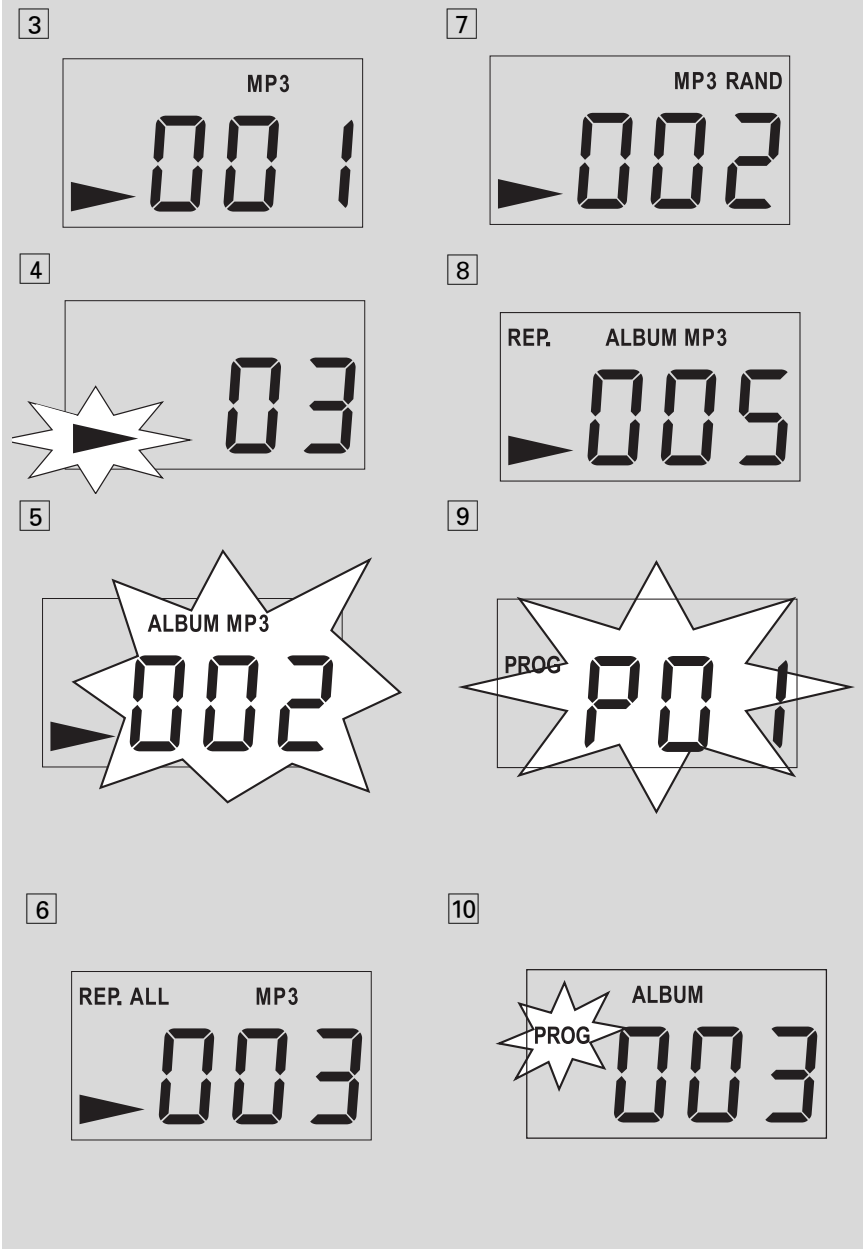
JH-0530

1



2





Important notes for users in the U.K.

Mains plug

This apparatus is fitted with an approved 13 Amp plug. To change a fuse in this type of plug proceed as follows:

1. Remove fuse cover and fuse.
2. Fix new fuse which should be a BS1362 3 Amp, A.S.T.A. or BSI approved type.
3. Refit the fuse cover.

If the fitted plug is not suitable for your socket outlets, it should be cut off and an appropriate plug fitted in its place. If the mains plug contains a fuse, this should have a value of 3 Amp. If a plug without a fuse is used, the fuse at the distribution board should not be greater than 3 Amp.

Note: The severed plug must be disposed of to avoid a possible shock hazard should it be inserted into a 13 Amp socket elsewhere.

How to connect a plug

The wires in the mains lead are coloured with the following code: blue = neutral (N), brown = live (L). As these colours may not correspond with the colour markings identifying the terminals in your plug, proceed as follows:

- Connect the blue wire to the terminal marked N or coloured black.
- Connect the brown wire to the terminal marked L or coloured red.
- Do not connect either wire to the earth terminal in the plug, marked E (or e) or coloured green (or green and yellow).

Before replacing the plug cover, make certain that the cord grip is clamped over the sheath of the lead - not simply over the two wires.

Copyright in the U.K.

Recording and playback of material may require consent. See Copyright Act 1956 and The Performer's Protection Acts 1958 to 1972.

The making of unauthorized copies of copy-protected material, including computer programmes, files, broadcasts and sound recordings, may be an infringement of copyrights and constitute a criminal offence. This equipment should not be used for such purposes.



**Be responsible
Respect copyrights**

Environmental information

All unnecessary packaging material has been omitted. The packaging can be easily separated into three materials: cardboard, polystyrene and plastic.

Your set consists of materials which can be recycled if disassembled by a specialized company. Please observe the local regulations regarding the disposal of packaging, dead batteries and old equipment.

Disposal of your old product

Your product is designed and manufactured with high quality materials and components, which can be recycled and reused.

When this crossed-out wheeled bin symbol is attached to a product it means the product is covered by the European Directive 2002/96/EC.



Please inform yourself about the local separate collection system for electrical and electronic products.

Please act according to your local rules and do not dispose of your old products with your normal household waste. The correct disposal of your old product will help prevent potential negative consequences for the environment and human health.

English

Supplied Accessories

- AC power cord
- Remote control

Top and front panels (See [1])

- Source selector: CD/MP3, TAPE/OFF, TUNER**
 - selects CD/MP3, tape or radio source of sound
 - power off switch
- BASS BOOST** – turns the bass enhancement on/off.
- VOLUME** – adjusts volume level.
- Cassette recorder keys:**
 - PAUSE II** – pauses playback or recording
 - STOP•EJECT ■▲**
 - stops playback or recording.
 - opens the cassette holder.
 - F.FWD/REW ◀◀ or ▶▶** – fast winds/rewinds the tape
 - PLAY ◀** – starts playback
 - REC ●** – starts recording
- LIFT TO OPEN** – lift here to open the CD door.
- TUNING** – tunes to radio stations
- BAND** – selects wavebands
- iR** – infrared sensor for remote control
- MODE** – selects different play modes: for example: **REPEAT** or **RANDOM** (random order)
- NEXT, PREVIOUS ▶▶, ◀◀**
 - CD/MP3:** – searches back and forward within a track;
 - skips to the beginning of a current track/ previous/ later track
- PROG** – programs tracks and reviews the program

Controls

- STOP ■** – stops CD/MP3 playback;;
 - erases a program
- PLAY/PAUSE ▶/II** – starts or pauses CD/MP3 playback.
- ALBUM+ /-**
 - MP3 only:** selects albums (up, down)
- Display** - shows disc functions

Back panel (See [2])

- Battery door** - open to insert 6 x 1.5V **R-14/ UM2/ C-cells**.
- AC ~** - inlet for power cord.
- 🎧** – 3.5 mm stereo headphone socket
 - Helpful hints:** *The speakers will be muted when headphones are connected to the set.*
- Telescopic antenna** - improves FM reception

Remote control (for disc operations only) (See [2])

- MODE** – selects different play modes: e.g. **REPEAT** or **RANDOM** (random order)
- PROG** – programs tracks and reviews the program
- ALBUM +**
 - MP3 only:** selects albums (up);
- ALBUM -**
 - MP3 only:** selects albums (down)
- PLAY/PAUSE** – starts/ pauses CD/MP3 playback
- STOP** – stops CD/MP3 playback;
 - erases a program.
- ◀◀ ▶▶**
 - CD/MP3:** – searches back and forward within a track;
 - skips to the beginning of a current track/ previous/ later track

Power Supply

Power supply

Whenever convenient, use the mains lead if you want to conserve battery life. Make sure you remove the plug from the set and wall outlet before inserting batteries.

Batteries (not included)

Main set (See [2])

- Insert 6 batteries, type **R-14, UM2** or **C-cells** (preferably alkaline) with the correct polarity.

Remote control (See [2])

- Insert 2 batteries, type **AA, R06** or **UM3** (preferably alkaline).

- Incorrect use of batteries can cause electrolyte leakage and will corrode the compartment or cause the batteries to burst:
- Do not mix battery types: e.g. alkaline with carbon zinc. Only use batteries of the same type for the set.
- When inserting new batteries, do not try to mix old batteries with the new ones.
- Remove the batteries if the set is not to be used for a long time.

Batteries contain chemical substances, so they should be disposed of properly.

Using AC Mains

- 1 Check if the mains voltage, **as shown on the type plate located on the bottom of the set**, corresponds to your local mains supply. If it does not, consult your dealer or service center.
 - 2 Connect the mains lead to the **AC ~** inlet and the wall socket. The mains lead is now connected and ready for use.
 - 3 To switch the set off completely, withdraw the mains lead from the wall socket.
 - 4 Install the unit near the AC outlet and where the AC power plug can be easily reached.
- Disconnect the mains lead from the wall socket to protect your set during heavy thunderstorms.

The type plate is located on the bottom of the set.

Helpful hints :

- To avoid unnecessary energy consumption, always adjust the **Source selector** to **TAPE/OFF** after using the set. Also check that the tape deck keys are released.

For users in the U.K., please follow the boxed instructions 'Important notes...'

CAUTION

Use of controls or adjustments or performance of procedures other than herein may result in unsafe operation.

This set complies with the radio interference requirements of the European Union.

Basic operation

Switching on and off and selecting functions

- 1 To switch on, push the **Source selector** slider to **CD**, **TUNER**, or **TAPE/OFF** as desired.
- 2 To switch off, push the **Source selector** slider to **TAPE/OFF** and check the cassette keys are released.

Helpful hints:

- To change from **TAPE** to **TUNER** or **CD** function, or when you are switching off the set: first, make sure you press the **tape STOP•EJECT** **■▲** key to end playback and all the cassette keys are released.

Adjusting volume and sound

Adjust the sound with the **VOLUME** and **BASS BOOST** controls.

Radio reception

- 1 Adjust the **Source selector** to **TUNER**.
- 2 Adjust **BAND** to select your desired waveband, **MW** or **FM ST.** (stereo)
- 3 Turn **TUNING** to tune to a station.

To improve radio reception:

- For **FM**, extend and turn the telescopic antenna for best reception. Reduce its length if the signal is too strong.
To tune to a weak FM station, adjust **BAND** to **FM** (mono).
- For **MW**, the set uses a built-in antenna. Direct this antenna for best reception by turning the whole set.

About MP3

The music compression technology MP3 (MPEG1 Audio Layer 3) significantly reduce the digital data of an audio CD while maintaining CD quality sound.

- **Getting MP3 files:** you can either download legal music files from the internet to your computer hard disc, or create such files by converting audio CD files in your computer through appropriate encoder software. (128kbps bit rate or higher is recommended for MP3 files.)
- **Creating a MP3 CD:** burn the music files from your computer hard disc on a CDR or CDRW using your CD burner.

Helpful hints:

- Make sure that the file names of the MP3 files end with **.mp3**.
- Total number of music files and albums: around 350 (with a typical file name length of 20 characters)
- The length of file names affects the number of tracks for playback. With shorter file names, more files can be burned on a disc.

Playing a disc

This player plays Audio Discs including CD-R/ CD-RW, and MP3 CD. Do not try to play a CD-ROM, CD-I, CDV, VCD, DVD or computer CD.

IMPORTANT!

- **For a disc with CD Audio tracks and MP3 files, only the CD Audio tracks will be played.**
- **This player does not support UDF format CD.**

- 1 Lift the CD door at **LIFT TO OPEN**. Insert a CD with the printed facing up and press the CD door gently.
- 2 Push the **Source selector** slider to **CD/MP3**.
→ Display shows --- and later; the total number of tracks.
- 3 Press **PLAY/PAUSE** **▶/||** to start playback.
→ **Audio CD:** current track number appears
MP3: The display shows current track number in the album (See [3])
- 4 To pause playback, press **PLAY/PAUSE** **▶/||** (See [4]). Press **PLAY/PAUSE** **▶/||** again to resume play.
- 5 To stop playback, press **STOP** **■**.

Helpful hints:

CD play will also stop when:

- the CD door is opened
- the CD has reached the end
- you select tuner or tape source.

Selecting a different track

- Press **NEXT**, **PREVIOUS** **▶**, **◀** once or repeatedly until the desired track number appears in the display.
For MP3: first press **ALBUM+ /-** once or more to find your album.
→ The display shows **ALBUM** and current album number briefly (See [5])
- In the pause/stop position, press **PLAY/PAUSE** **▶/||** to start playback..

Finding a passage within a track

- 1 During playback, press and hold **▶▶** or **◀◀**.
→ The CD is played at high speed and low volume.
- 2 When you recognize the passage you want, release **▶▶** or **◀◀** to resume normal playback.

Different play modes: REPEAT and RANDOM (See [6] - [8])

REP. – plays the current track continuously

REP.ALL – repeats the entire disc/program

RAND – tracks of the entire disc are played in random order

For MP3 only:

REP.ALBUM – all tracks of current album play repeatedly.

- 1 To select play mode, press **MODE** once or more.
→ The display shows the selected mode.
- 2 Press **PLAY/PAUSE** **▶/||** to start playback, if in the stop position.
- 3 To select normal playback, press **MODE** repeatedly until the various modes are no longer displayed.
– You can also press **STOP** **■** to cancel your play modes.

CD/MP3 Player

Programming track numbers

You may store up to 20 tracks (for MP3: 10 tracks) in the desired sequence. If you like, store any track more than once.

For Audio CD:

- 1 In the stop position, press **PROG** to activate programming.
→ Display: **PROG** and $P \square \square$ flash, indicating the start of the program. (See [9](#))
- 2 Press \blacktriangleright or \blacktriangleleft to select your desired track number.
→ Display: **PROG** and your desired track number flash.
- 3 Press **PROG** to store the desired track number.
→ Display: **PROG** and $P \square \square$ flash, indicating the next program location available.
- 4 Repeat steps **2** to **3** to select and store all desired tracks in this way.
→ Display shows **PROG** - - after 20 tracks are stored
- 5 To play your programme, press **PLAY/PAUSE** \blacktriangleright /**II**.

For MP3:

- 1 In the stop position, press **PROG** to activate programming.
→ Display: **PROG** and $P \square \square$ flash, indicating the start of the program.
- 2 If necessary, press **ALBUM+ /-** to select another album
→ Display: **ALBUM** and selected album number (See [10](#))
- 3 Press \blacktriangleright or \blacktriangleleft to select your desired track number.
→ Display: the selected track number in current album
- 4 Press **PROG** to store the desired track number.
→ Display: **PROG** and $P \square \square$ flash, indicating the next program location available.

- 5 Repeat steps **2** to **4** to select and store all desired tracks in this way.
→ Display shows **PROG** - - after 10 tracks are stored.
- 6 To play your programme, press **PLAY/PAUSE** \blacktriangleright /**II**.

Helpful hints:

– When the **PROG** or **RAND** mode is active, use of the **ALBUM+ /-** keys are void.

Reviewing the program

In the stop position, press **PROG** repeatedly until you enter the empty program location
→ The display shows the occupied program locations
→ After the empty program location is displayed, all the stored tracks appear in sequence.

MP3 only: **ALBUM** and an album number appear, then a stored track number in the album is displayed.

Helpful hints:

– Display shows $P \square \square$ if no track is programmed.

Erasing the program

You can erase the contents of the memory by:
– pressing **STOP** \blacksquare (twice during playback or once in the stop position);
– selecting **TUNER** or **TAPE** sound source;
– opening the disc door;
→ Display: **PROG** disappears.

Cassette Recorder

Cassette playback

- 1 Push the **Source selector** slider to **TAPE**
- 2 Press **STOP•EJECT** \blacksquare / \blacktriangle to open the cassette holder and insert a cassette and close the deck.
- 3 Press **PLAY** \blacktriangleleft to start playback.
- 4 To pause playback press **PAUSE II**. To resume, press the key again.
- 5 To stop the tape, press \blacksquare / \blacktriangle .

Fast forwarding/rewinding

- 1 Press **F.FWD/REW** \blacktriangleleft or \blacktriangleright until you reach your desired passage.
- 2 Press \blacksquare / \blacktriangle to stop fastforwarding/rewinding.

Helpful hints:

- During playback, the keys are automatically released at the end of a tape and the set is switched off (unless **PAUSE II** mode has been activated.)
- During fast forwarding/rewinding, the keys will not be released at the end of a tape. To switch off the set, make sure the cassette keys are also released.

General information on recording

- Recording is permissible insofar as copyright or other rights of third parties are not infringed.
- For recording, use only NORMAL type cassettes (IEC type I) on which the tabs have not yet been broken. This deck is not suited for recording on CHROME (IEC II) or METAL (IEC IV) type cassettes.
- The best recording level is set automatically. Altering the **VOLUME** or **BASS BOOST** will not affect the recording.
- To protect a tape from accidental erasure, break out the tabs. If you wish to record again, cover the tabs with a piece of adhesive tape.

Recording from the CD Player

- 1 Select **CD/MP3** source.
- 2 Insert a CD and if desired, program track numbers.
- 3 Press \blacksquare / \blacktriangle to open the cassette holder. Insert a blank tape and close the deck.
- 4 Press **REC** \bullet to start recording.
- 5 Press **PLAY/PAUSE** \blacktriangleright /**II** to start CD playback.
- 6 For brief interruptions press **II**. To resume recording, press **II** again.
- 7 To stop recording, press \blacksquare / \blacktriangle .

Recording from the Radio

- 1 Select **TUNER** source.
- 2 Tune to the desired radio station (see **Radio reception**).
- 3 Follows steps 3, 4, 6, 7 under **Recording from the CD Player**.

Maintenance & safety (see 11)

CD player and CD handling

- If the CD player cannot read CDs correctly, use a cleaning CD to clean the lens before taking the set to repair.
- The lens of the CD player should never be touched!
- Sudden changes in the surrounding temperature can cause condensation on the lens of your CD player: Playing a CD is then not possible. Do not attempt to clean the lens but leave the set in a warm environment until the moisture evaporates.
- Always close the CD-tape door to avoid dust on the lens.
- To clean the CD, wipe in a straight line from the center towards the edge using a soft, lint-free cloth. Do not use cleaning agents as they may damage the disc.
- Never write on a CD or attach any stickers to it.

Tape deck maintenance

To ensure quality recording and playback of the tape deck, clean parts (A), (B) and (C) as shown, once a month. Use a cotton bud slightly moistened with alcohol or a special head cleaning fluid to clean the deck.

- 1 Open the cassette holder by pressing ■▲.
- 2 Press ◀ and clean the roller (C).
- 3 Press II and clean the heads (A), and the capstan (B).
- 4 After cleaning, press ■▲.
→ Cleaning of the heads can also be done by playing a cleaning cassette through once.

Safety information

- Place the set on a flat, hard and stable surface so that the system does not tilt.
- Do not expose the set, batteries, CDs to humidity, rain, sand or excessive heat caused by heating equipment or direct sunlight.
- The apparatus shall not be exposed to dripping or splashing.
- Adequate ventilation with a minimum gap of 15cm (6 inches) between the ventilation holes and surrounding surfaces is necessary to prevent heat build-up.
- Do not cover the ventilation openings with items such as newspapers, table-cloths, curtains, etc.
- No objects filled with liquids, such as vases, shall be placed on the apparatus.
- No naked flame sources, such as lighted candles, should be placed on the apparatus.
- The mechanical parts of the set contain self-lubricating bearings and must not be oiled or lubricated.
- To clean the set, use a dry cloth. Do not use any cleaning agents containing alcohol, ammonia, benzene or abrasives as these may harm the housing.

Troubleshooting

If a fault occurs, first check the points listed below before taking the set for repair.

If you are unable to remedy a problem by following these hints, consult your dealer or service centre.

WARNING: Do not open the set as there is a risk of electric shock. Under no circumstances should you try to repair the set yourself, as this will invalidate the guarantee.

No sound /power

- Volume not adjusted
- Adjust the VOLUME
- Power cord not securely connected
- Connect the AC power cord properly
- Batteries dead/ incorrectly inserted
- Insert (fresh) batteries correctly
- Headphones connected to the set
- Disconnect headphones.

Display does not function properly/ No reaction to operation of any of the controls

- Electrostatic discharge
- Switch off and unplug the set. Reconnect after a few seconds

Remote control does not function properly

- Batteries exhausted/ incorrectly inserted
- Insert (fresh) batteries correctly
- Distance/ angle between the set too large
- Reduce the distance/ angle

Severe radio hum or noise

- Electrical interference: set too close to TV, VCR or computer
- Increase the distance

Poor radio reception

- Weak radio signal
- FM: Adjust the FM telescopic aerial

no indication

- No disc inserted
- Insert suitable disc
- CD badly scratched or dirty
- Replace/ clean CD, see Maintenance & Safety
- Laser lens steamed up
- Wait until lens has cleared

– CD-R/CD-RW is blank or not finalized

- Use a finalized CD-R or CD-RW only

Note:

Make sure the CD is not encoded with Copyright protection technologies, as some do not conform to the Compact Disc standard.

The CD skips tracks

- CD damaged or dirty
- Replace or clean CD
- PROG/ RAND is active
- Quit PROG/ RAND mode

Note:

For a disc with CD Audio tracks and MP3 files, only the CD Audio tracks will be played.

The MP3-CD skips albums

- CD contains non-MP3 file folders
- Check your disc contains suitable file folders.

Poor cassette sound quality

- Dust and dirt on the heads, etc.
- Clean deck parts, see Maintenance
- Use of incompatible cassette types (METAL or CHROME)
- Only use NORMAL (IEC I) for recording

Recording does not work

- Cassette tab(s) may be broken
- Apply adhesive tape over the missing tab space

Free Manuals Download Website

<http://myh66.com>

<http://usermanuals.us>

<http://www.somanuals.com>

<http://www.4manuals.cc>

<http://www.manual-lib.com>

<http://www.404manual.com>

<http://www.luxmanual.com>

<http://aubethermostatmanual.com>

Golf course search by state

<http://golfingnear.com>

Email search by domain

<http://emailbydomain.com>

Auto manuals search

<http://auto.somanuals.com>

TV manuals search

<http://tv.somanuals.com>