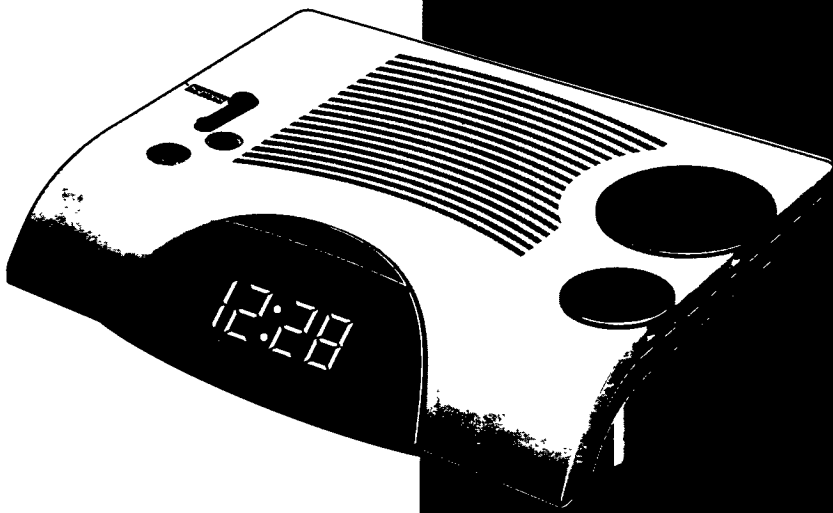


PHILIPS

AJ 3015 Clock Radio



INDEX

English.....page 4

Illustrationspage 3

Françaispage 6

Illustrationspage 3

DeutschSeite 8

AbbildungenSeite 3

Nederlandspagina 10

Afbeeldingenpagina 3

Españolpágina 12

Ilustracionespágina 3

Italianopagina 14

Illustrazionipagina 3

Svenskasida 16

Figurersida 3

Suomisivu 18

Kuvatsivu 3

Portuguêspágina 20

Ilustraçõespágina 3

Declaración de conformidad con normas

El que suscribe, en nombre y representación de:
Philips H.K. Consumer Electronics Factory
declara, bajo su propia responsabilidad, que el

equipo: **Clock radio**
fabricado por: **Consumer Electronics Factory**

en: **Far East**

marca: **PHILIPS**

modelos: **AJ 3015**

objeto de esta declaración, cumple con la normativa siguiente: Reglamento sobre Perturbaciones Radioeléctricas, Real Decreto 138/1989, Anexo V.Hecho en: Hong Kong, 01-07-1993

Firma:

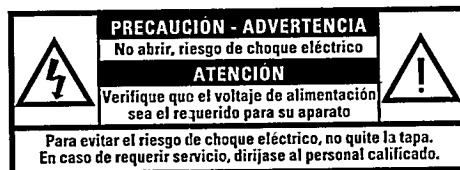


Nombre: **K.B. Wong**
Función: **Product Safety Officer**

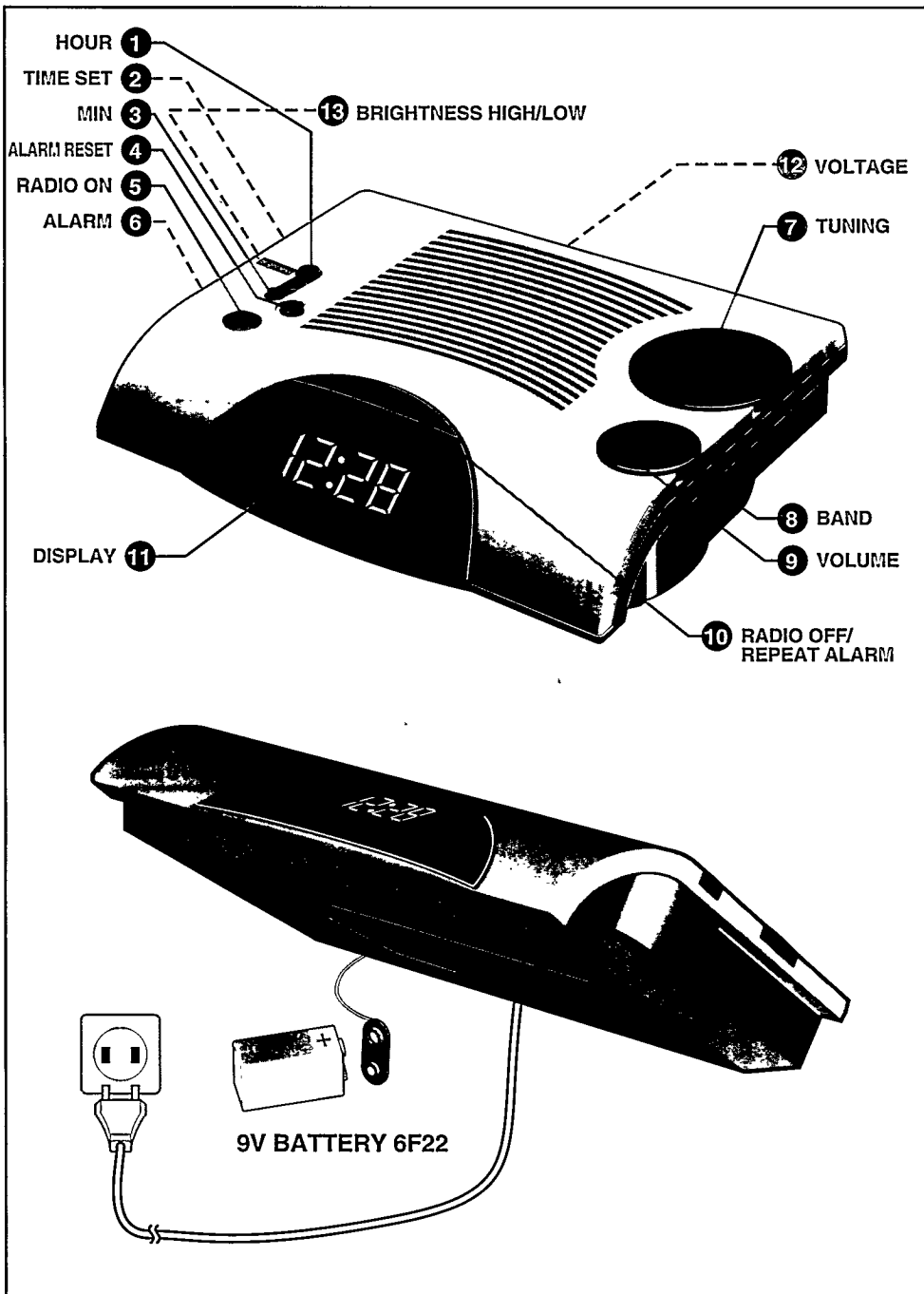
México

NOM

Es necesario que lea cuidadosamente su instructivo de manejo



NOM



English

WHICH BUTTONS ARE WHERE?

- ① HOUR button - for setting the hours
- ② TIME SET switch:
 - TIME - for setting the time
 - RUN - normal position
 - ALARM - for setting the alarmtime
- ③ MIN button - for setting the minutes
- ④ ALARM RESET button - to switch off the alarm for 24 hours
- ⑤ RADIO ON button - to switch on radio function
- ⑥ ALARM switch:
 - RADIO - for waking up by radio
 - BUZZER - for waking up by buzzer and radio
 - OFF - alarm off
- ⑦ TUNING dial - for locating the required station
- ⑧ BAND switch - for selecting wavebands
- ⑨ VOLUME control - for adjusting the volume
- ⑩ RADIO OFF / REPEAT ALARM button:
 - To switch off alarm temporarily
 - To switch off the radio
- ⑪ Clock display with ALARM- and PM- indicator
- ⑫ VOLTAGE selector (*not on all versions*)
- ⑬ BRIGHTNESS HIGH/LOW switch

MAINS CONNECTION

The clock radio is suitable for connection to a 220-230 V / 50 Hz power supply (for Great Britain 240 V / 50 Hz). *If the set is equipped with a VOLTAGE selector, set this selector to the local mains voltage.* As soon as the power plug is put into the wall outlet, the numbers on the display will start to flash. This means that you must set the correct time. To disconnect the set from the mains completely, withdraw the mains plug from the wall outlet.

Important notes for users in the U.K.:

Mains plug

This apparatus is fitted with an approved moulded 13 Amp plug. To change a fuse in this type of plug proceed as follows:

- 1 Remove fuse cover and fuse
- 2 Fit new fuse which should be a BS1362 5 AMP, A S T A or BSI approved type
- 3 Refit the fuse cover

If the fitted plug is not suitable for your socket outlets, it should be cut off and an appropriate plug fitted in its place.

If the mains plug contains a fuse, this should have a value of 5 A. If a plug without a fuse is used, the fuse at the distribution board should not be greater than 5 A.

Note:

The severed plug must be disposed off to avoid a possible electric hazard should it be inserted into a 13 A socket elsewhere.

How to connect a plug

The wires in the mains lead are coloured in accordance with the following code: blue = neutral (N), brown = live (L). As these colours may not correspond with the colour markings identifying the terminals in your plug, proceed as follows:

- 1 Connect the blue wire to the terminal marked N or coloured blue or black.
- 2 Connect the brown wire to the terminal marked L or coloured brown or red.
- 3 Do not connect either wire to the earth terminal in the plug, marked E or T or coloured green or green-and-yellow.

Before replacing the plug cover, make certain that the cord grip is clamped over the sheath of the lead - not simply over the two wires.

If in doubt, consult a qualified electrician.

RADIO ON

You may use this clock radio simply as a radio.

- Set the TIME SET switch ② to RUN.
- Press RADIO ON button ⑤ to switch the radio on. After 59 minutes the radio will be switched off automatically.
- Select the waveband using the BAND switch ⑧.
- Locate the required transmitter using the TUNING dial ⑦.
- Set the volume using the VOLUME switch ⑨.

RADIO OFF

You can switch off the radio before the slumber time (59 minutes) has elapsed:

- Press the RADIO OFF button ⑩.

CLOCK

Clock display

The clock indicates the time on the display. In case of 12-hour clock system, the PM-indicator will light up (on=PM, off=AM). The ALARM indicator lights up when you switch on the alarm.

The luminous intensity of the display figures can be adjusted with the BRIGHTNESS HIGH/LOW switch ⑬.

Adjusting the time

- Set the TIME SET switch ② to TIME
- Set the correct time using the MINUTE ③ and HOUR ① buttons.
- Set the TIME SET switch ② to RUN.

ALARM

Alarmtime

- Set the TIME SET switch ② to ALARM.
- Set the correct alarmtime using the MINUTE ③ and HOUR ① buttons.
- Set the TIME SET switch ② to RUN.

ALARM ON

The clock radio can wake you up in 2 ways:

Wake by radio

- Make sure the volume of the radio is loud enough to wake you.
- Set ALARM switch ⑥ to RADIO.
- You will be woken by the radio at the set alarm time.

Wake by buzzer and radio

- Set ALARM switch ⑥ to BUZZER.
- At the set alarm time you will be woken up by the buzzer and the radio.

ALARM OFF

You can switch off the alarm in 3 ways:

Switching off the alarm for 9 minutes

- Press the REPEAT ALARM button ⑩. With this switch you temporarily switch off the alarm. After nine minutes the alarm (radio or buzzer) will sound again. If you press the REPEAT ALARM button ⑩ again, the same will happen again. If the REPEAT ALARM button ⑩ is not pressed again, the alarm will switch itself off after 1 hour and 59 minutes. The following day the alarm signal will sound again at the set alarm time.

Switching off the alarm for 24 hours

- Press the ALARM RESET button ④. The alarm is now switched off for 24 hours and will sound again the next day at the same time.

Switching off the alarm completely

- Set the ALARM switch ⑥ to OFF. On the display the ALARM indicator will disappear and the alarm will be switched off. If you wish to be woken the following day again, you must reset the ALARM switch to RADIO or BUZZER before going to sleep.

SLUMBER

The clock radio has a built-in slumber function. This function enables you to listen to the radio before you fall asleep. You will not have to switch off the clock radio yourself. This will take place automatically.

Slumber time

The time you listen to the radio before you fall asleep is called the slumber time. The slumber time is 59 minutes.

If you wish to slumber, carry out the following:

- Make sure the TIME SET switch ② is set to RUN.
- Press the RADIO ON button ⑤. The display will show a slumber time of 59 minutes.

Slumber off

You can switch off the radio before the slumber time has elapsed:

- Press the RADIO OFF button ⑩ and the radio will be switched off.
- If the TIME SET switch ② is in position TIME or ALARM, the slumber function will not work.
- The slumber function does not affect the alarm.

POWER FAILURE

- As soon as a power failure occurs, the complete clock radio will be switched off.
- As soon as the power supply returns, the numbers on the display start to flash. This indicates that you must set the correct time on the clock.
- You can insert a 9 Volts pack battery (type 6F22) in the clock radio. Should there be a power failure, the clock will continue to function. You will not see this, however, because the battery does not illuminate the clock display. As soon as the power is switched on again, the display will indicate the correct time.
To be perfectly clear: Alarm, radio and display do not work on battery.
- Before inserting the battery, connect the power plug to the wall outlet.
- Place the battery in the compartment on the bottom of the clock radio (see diagram).
- Replace the battery once a year. It cannot be stated precisely how long the battery will last. This depends completely on how often and for how long the power supply fails. This varies from country to country or even region to region.

MAINTENANCE

- If you do not intend to use the clock radio for a long time, it is recommended to remove the plug from the wall socket. In addition to this, it is advisable to remove the battery from the clock radio. This will prevent any danger of leakage and the clock radio will not be damaged.
- Fingerprints, dust and dirt on the clock radio should be removed using a clean and damp soft cloth or chamois leather. When cleaning do not use any products containing abrasive agents or solvents (benzine, thinner, alcohol etc.). These might affect the housing.
- Rain, dampness and extreme heat may damage the clock radio. For this reason it should not be placed in full sun or close to heating elements for any period of time.

This product complies with the radio interference requirements of the European Community.

The type-plate is located on the bottom of the clock radio.



Guarantee and Service valid for Australia

The benefits given to the purchaser by this warranty are in addition to all other rights and remedies, which, under the Trade Practices Act or other Commonwealth or State law, the purchaser or owner has in respect of the product.

The Philips product carries the following warranties:

- C-series HiFi-systems: 12 months.
- Compact Disc Players: 12 months.
- Home Audio Systems: 6 months.
- Clock radios, portable radios, cassette recorders, cassette players and radio recorders: 90 days.

Any defect in materials or workmanship occurring within the specified period from the date of delivery, will be rectified free of charge by the retailer from whom this product was purchased.

Note: Please retain your purchase docket to assist prompt service.

Conditions of this warranty

1. All claims for warranty service must be made to the retailer from whom this product was purchased. All transport charges incurred in connection with warranty service or replacement will be paid by the purchaser.
2. These warranties do not cover batteries and extend only to defects in materials or workmanship occurring under normal use of the product where operated in accordance with our instructions.

**Philips Consumer Products Division
Technology Park
Figtree Drive, Australia Centre
Homebush 2140
New South Wales**



Garantia para Brasil

Este aparelho é garantido pela Philips do Brasil Ltda. e a Philips da Amazônia S.A. Indústria Eletrônica, por um período superior ao estabelecido por lei. Porém, para que a garantia tenha validade, é imprescindível que, além deste certificado, seja apresentada a nota fiscal de compra do produto.

1. A Philips do Brasil Ltda. e a Philips da Amazônia S.A. Indústria Eletrônica asseguram ao proprietário consumidor deste aparelho a garantia de 180 dias (90 dias legal mais 90 adicional) contados a partir da data de entrega do produto, conforme expresso na nota fiscal de compra que passa a fazer parte deste certificado
2. Esta garantia perderá sua validade se:
 - A. O defeito apresentado for ocasionado por uso indevido ou em desacordo com o seu manual de instruções
 - B. O produto for alterado, violado, ajustado ou consertado por pessoa não autorizada pela Philips
 - C. O produto for ligado a fonte de energia (rede elétrica, pilhas, bateria, etc.) de características diferentes das recomendadas no manual de instruções e/ou no produto
 - D. O número de série que identifica o produto estiver de alguma forma adulterado ou rasurado.
3. Estão excluídos desta garantia defeitos decorrentes do descumprimento do manual de instruções do produto, de casos fortuitos ou de força maior, bem como aqueles causados por agentes da natureza e acidentes.
4. Excluem-se igualmente desta garantia os defeitos decorrentes do uso dos produtos em serviços não doméstico/residencial regular ou em desacordo com o uso recomendado
5. Nos municípios onde não exista oficina autorizada de serviço Philips, as despesas de transporte do aparelho e/ou do técnico autorizado correm por conta do sr. consumidor requerente do serviço

Philips do Brasil Ltda. e Philips da Amazônia S.A. Indústria Eletrônica

Para informações adicionais sobre o produto ou para eventual necessidade de utilização da rede de oficinas autorizadas, ligue para o centro de informação ao consumidor

☎ 0800-123123 (discagem direta gratuita) ou escreva para a caixa postal: 21462 cep 04698-970 - São Paulo



(NZ) Guarantee and Service for New Zealand

Thank-you for purchasing this quality Philips product. Philips New Zealand Ltd guarantees this product against defective components and faulty workmanship for a period of 12 months. Any defect in materials or workmanship occurring within 12 months from the date of purchase subject to the following conditions will be rectified free of charge by the retailer from whom this product was purchased

Conditions

1. The product must have been purchased in New Zealand. As proof of purchase, retain the original sales docket indicating the date of purchase
2. The guarantee applies only to faults caused by defective components, or faulty workmanship on the part of the manufacturer.
3. The guarantee does not cover failures caused by misuse, neglect, normal wear and tear, accidental breakage, use on the incorrect voltage, use contrary to operating instructions, or unauthorised modification to the product or repair by an unauthorised technician.
4. Reasonable evidence (in the form of a sales docket) must be supplied to indicate that the product was purchased no more than 12 months prior to the date of your claim
5. In the event of a failure, Philips shall be under no liability for any injury, or any loss or damage caused to property or products other than the product under guarantee.

This guarantee does not prejudice your rights under common law and statute, and is in addition to the normal responsibilities of the retailer and Philips

How to claim

Should your Philips product fail within the guarantee period, please return it to the retailer from whom it was purchased. In most cases the retailer will be able to satisfactorily repair or replace the product. However, should the retailer not be able to conclude the matter satisfactorily, or if you have other difficulties claiming under this guarantee, please contact

The Guarantee Controller

Philips New Zealand Ltd.

✉ P.O. Box 41.021

Auckland

☎ (09) 84 94 160

fax ☎ (09) 84 97 858

(MEX) Garantía para México



Este aparato está fabricado con materiales de alta calidad y ha sido cuidadosamente verificado. Philips, por lo tanto, da a usted una garantía de 12 meses a partir de su fecha de compra.

La garantía ampara la reposición de las piezas defectuosas debidas a fallas en su montaje o en los materiales, incluyendo la mano de obra necesaria para su reemplazo en nuestras Sucursales o talleres autorizados

En caso de fallas en su aparato le rogamos se sirva poner en contacto con su distribuidor.

Esta garantía no cubrirá las averías que resulten como consecuencia de una instalación incorrecta del aparato, manifiesto maltrato o uso inadecuado del mismo.

Philips se obliga a reparar y devolver a usted su aparato en un plazo no mayor de 30 días hábiles contados a partir de la fecha de haber ingresado su aparato a uno de nuestros talleres.

Con la presentación de la factura o remisión de su aparato podrá hacer efectiva la garantía.

Si usted tiene alguna duda o pregunta que no le pueda solucionar su distribuidor, por favor ponerse en contacto con:

Oficinas Centrales de Servicio,

Av. Coyoacán No. 1051,

Col. del Valle,

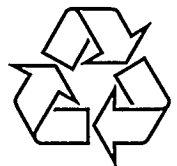
03100 México, D.F.

☎ 5-75-20-22 o 5-75-01-00



3140 105 20133

Printed in Hong Kong



TCtext YS0793/02

Free Manuals Download Website

<http://myh66.com>

<http://usermanuals.us>

<http://www.somanuals.com>

<http://www.4manuals.cc>

<http://www.manual-lib.com>

<http://www.404manual.com>

<http://www.luxmanual.com>

<http://aubethermostatmanual.com>

Golf course search by state

<http://golfingnear.com>

Email search by domain

<http://emailbydomain.com>

Auto manuals search

<http://auto.somanuals.com>

TV manuals search

<http://tv.somanuals.com>