

## Clock Radio

AJ3540



Thank you for choosing Philips.

### Need help fast?

Read your Quick Use Guide and/or Owner's Manual first for quick tips that make using your Philips product more enjoyable.

If you have read your instructions and still need assistance, you may access our online help at

[www.philips.com/usasupport](http://www.philips.com/usasupport)  
or call

1-888-PHILIPS (744-5477)

while with your product.  
(and Model / Serial number)



Philips vous remercie de votre confiance.

### Besoin d'une aide rapide?

Les Guide d'utilisation rapide et Manuel de l'utilisateur regorgent d'astuces destinées à simplifier l'utilisation de votre produit Philips. Toutefois, si vous ne parvenez pas à résoudre votre problème, vous pouvez accéder à notre aide en ligne à l'adresse

[www.philips.com/usasupport](http://www.philips.com/usasupport)  
ou formez le

1-800-661-6162 (Francophone)

1-888-PHILIPS (744-5477) (English speaking)

Veillez à avoir votre produit à portée de main.  
(et model / serial nombre)



# PHILIPS

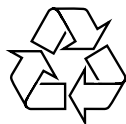
## PHILIPS CONSUMER ELECTRONICS NORTH AMERICA

P.O. Box 671539, Marietta, GA. 30006-0026, U.S.A.

Meet Philips at the Internet  
<http://www.philips.com>

Need help?  
Go to [www.philips.com/usasupport](http://www.philips.com/usasupport)

AJ 3540



Printed in China

YM - 0612-1

## SAFETY

Know these *safety* symbols



This "bolt of lightning" indicates uninsulated material within your unit which may cause an electrical shock. For the safety of everyone in your household, please do not remove product covering.




The "exclamation point" calls attention to features for which you should read the enclosed literature closely to prevent operating and maintenance problems.

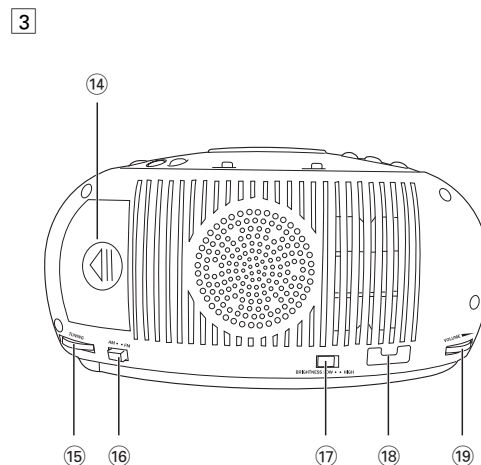
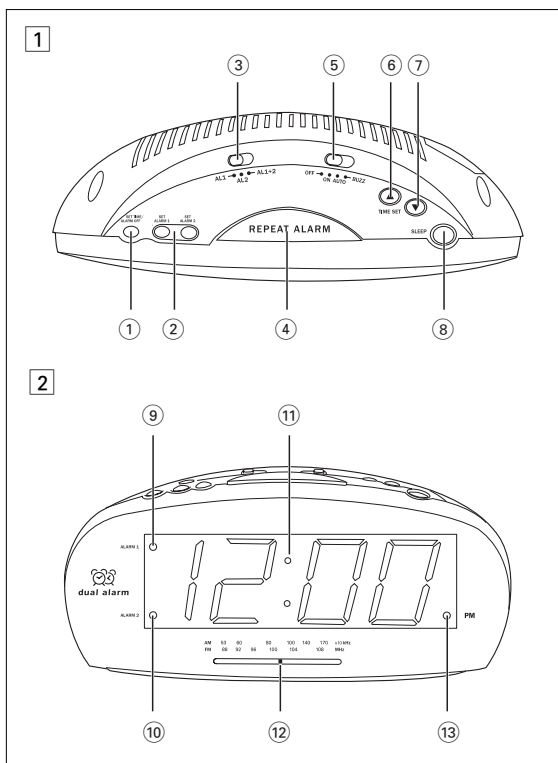
**WARNING:** WARNING: TO PREVENT FIRE OR SHOCK HAZARD, DO NOT EXPOSE THIS EQUIPMENT TO RAIN OR MOISTURE.

**CAUTION:** To prevent electric shock, match wide blade of plug to wide slot, and fully insert.

## IMPORTANT SAFETY INSTRUCTIONS

1. Read these instructions.
2. Keep these instructions.
3. Heed all warnings.
4. Follow all instructions.
5. Do not use this apparatus near water.
6. Clean only with dry cloth.
7. Do not block any ventilation openings. Install in accordance with the manufacturer's instructions.
8. Do not install near any heat sources such as radiators, heat registers, stoves, or other apparatus (including amplifiers) that produce heat.
9. Do not defeat the safety purpose of the polarized or grounding-type plug. A polarized plug has two blades with one wider than the other. A grounding type plug has two blades and a third grounding prong. The wide blade or the third prong are provided for your safety. If the provided plug does not fit into your outlet, consult an electrician for replacement of the obsolete outlet.
10. Protect the power cord from being walked on or pinched, particularly at plugs, convenience receptacles, and the point where they exit from the apparatus.
11. Only use attachments/accessories specified by the manufacturer.
12.  Use only with the cart, stand, tripod, bracket, or table specified by the manufacturer or sold with the apparatus. When a cart is used, use caution when moving the cart/apparatus combination to avoid injury from tip-over.
13. Unplug this apparatus during lightning storms or when unused for long periods of time.
14. Refer all servicing to qualified service personnel. Servicing is required when the apparatus has been damaged in any way, such as power-supply cord or plug is damaged, liquid has been spilled or objects have fallen into the apparatus, the apparatus has been exposed to rain or moisture, does not operate normally, or has been dropped.
15. Battery usage **CAUTION** – To prevent battery leakage which may result in bodily injury, property damage, or damage to the unit:
  - Install **all** batteries correctly, + and – as marked on the unit.
  - Do not mix batteries (**old** and **new** or **carbon** and **alkaline**, etc.).
  - Remove batteries when the unit is not used for a long time.
16. Apparatus shall not be exposed to dripping or splashing.
17. Do not place any sources of danger on the apparatus (i.e. liquid filled objects, lighted candles).
18. This product may contain lead and mercury. Disposal of these material may be regulated due to environmental considerations. **For disposal or recycling information, please contact your local authorities or the Electronic Industries Alliance : [www.eiae.org](http://www.eiae.org).**

EL 6475-E005: 04/01



## English

### CONTROLS

**Top View** (see fig. [1])

- ① **SET TIME /ALARM OFF**
  - sets the clock time
  - stops the active alarm for 24 hours
  - switches off the radio sleep function
- ② **SET ALARM 1 / SET ALARM 2** - sets the alarm time for alarm 1 / alarm 2
- ③ **AL1/ AL2 /AL1+2** - selects which alarm(s) you want to set alarm time on
- ④ **REPEAT ALARM** - switches off the active alarm for a 7-8 minutes period
- ⑤ **OFF/ ON/ AUTO/ BUZZ**
  - OFF:** switches off the radio/alarm
  - ON:** switches on the radio
  - AUTO:** activates the radio for alarm
  - BUZZ:** activates the buzzer for alarm
- ⑥ **TIME SET ▲** - to adjust time fast forward
- ⑦ **TIME SET ▼** - to adjust time back
- ⑧ **SLEEP**
  - activates the radio for sleep function
  - adjusts the sleep period

**Front View** (see fig. [2])

- ⑨ **ALARM 1** indicator - lights up when alarm 1 is activated.
- ⑩ **ALARM 2** indicator - lights up when alarm 2 is activated.
- ⑪ **DISPLAY** - shows the clock/alarm time and status of the setting
- ⑫ **Frequency** pointer - shows the radio frequency of your selected waveband
- ⑬ **PM** indicator - lights up when time is PM.

### CLOCK MEMORY BACKUP

The clock memory backup allows your alarm and clock time settings to be stored for up to a day when there is a power interruption e.g. power failure. The complete clock radio and display illumination will be switched off. As soon as the power supply returns, the display will indicate the correct time.

- 1 Remove the battery door to insert a **9 volts 6F22** type battery (not included) for backup.
- 2 Replace the battery door.

**NOTE:** If no backup battery is installed or the power interruption is prolonged, you will need to set the clock and alarm times again.

**Batteries contain chemical substances so they should be disposed of properly.**

Standby power consumption .....2W

### RADIO

You can use this set solely as a radio!

- 1 Adjust **OFF/ ON/ AUTO/ BUZZ** to **ON** to switch on the radio.
- 2 Select your waveband by adjusting the **FM/AM** switch.
- 3 Adjust **TUNING** to tune to your desired station.
- 4 Turn the **VOLUME** control to adjust the volume level.
- 5 Adjust **OFF/ ON/ AUTO/ BUZZ** to **OFF** to switch off the radio.

**To improve reception:**

**FM:** use the antenna built in the power cord. Adjust the position of the power cord for optimum reception.

**AM:** uses a built-in antenna inside the set. Direct the antenna by adjusting the position of your set.

**Back View** (see fig. [3])

- ⑭ **Battery door** - opens to store a **9 volts 6F22** battery (not included) for clock memory backup.
- ⑮ **TUNING** - tunes to radio stations
- ⑯ **FM/AM** - selects FM/AM waveband
- ⑰ **BRIGHTNESS (High or Low)** -selects display brightness
- ⑱ **Power cord** - for power supply and to improve FM reception
- ⑲ **VOLUME** - adjusts the sound level

### INSTALLATION

#### POWER SUPPLY

- 1 Check if the power supply, as shown on the **type plate located on the bottom of the set**, corresponds to your local power supply. If it does not, consult your dealer or service center.
- 2 Connect the power cord to the wall outlet.
- 3 **To disconnect the set from the power supply completely, remove the plug from the wall outlet.**

#### SELECTING DISPLAY BRIGHTNESS

This set allows you to choose high or low brightness of display.

- Adjust **BRIGHTNESS** switch (located on the rear of the set) to **HIGH** or **LOW** position.

### SETTING THE CLOCK TIME

The time is displayed using the 12-hour clock with PM indicator (PM off = AM).

- 1 Hold down **SET TIME/ALARM OFF**.
- 2 Press **TIME SET ▲** or **▼** repeatedly, or hold down **TIME SET ▲** or **▼** to adjust minute and/or hour.
  - **TIME SET ▲**: to adjust time fast forward
  - **TIME SET ▼**: to adjust time back
- 3 Release **SET TIME/ALARM OFF** and **TIME SET ▲** or **▼** when you reach the correct setting.  
→ The set clock time will show on the display and start to run.

### USING THE ALARM

This set allows you to set one alarm (alarm 1 or alarm 2), or set two alarms simultaneously. This set also offers you two alarm modes: Auto (radio) and Buzz.

#### SETTING THE ALARM TIME

- 1 Hold down **SET ALARM 1** or **SET ALARM 2**
- 2 Press **TIME SET ▲** or **▼** repeatedly, or hold down **TIME SET ▲** or **▼** to adjust minute and/or hour.
- 3 Release **SET ALARM 1** or **SET ALARM 2**, and **TIME SET ▲** or **▼** when you reach the desired time setting. The display will return to the clock time.

#### SELECTING THE ALARM MODE

- 1 Adjust **AL1/AL2/AL1+2** to **AL1** (alarm 1), or **AL2** (alarm 2), or **AL1+2** (alarm 1 + alarm 2).
- 2 Select your choice of alarm mode by adjusting **OFF/ ON/ AUTO/ BUZZ** to **AUTO** or **BUZZ**.  
→ The corresponding alarm indicator(s) will light up.

**Helpful Hint:**

- If you have selected the radio mode, make sure you have adjusted the volume loud enough to wake you.
- The buzzer is set at a fixed volume and cannot be adjusted.

## SWITCHING OFF THE ALARM

There are three ways of switching off the alarm. Unless you cancel the alarm completely, the **24 hour alarm reset option** will be automatically selected after 59 minutes, from the time your alarm time first goes off.

### 24 HOUR ALARM RESET

If you want the alarm mode to be stopped immediately but also wish to retain the same alarm setting for the following day:

- Press **SET TIME/ALARM OFF** during the alarm call.

### CANCELING THE ALARM COMPLETELY

To cancel the set alarm time before it goes off, or during the alarm call:

- Adjust **OFF/ON/AUTO/BUZZ** to **OFF** position.

### REPEAT ALARM

This repeats your alarm call at 7-8-minute intervals.

- 1 During the alarm call, press **REPEAT ALARM**.
- 2 Repeat if desired for up to 59 minutes.

## SLEEP

This set has a built-in timer which enables the set to be automatically switched off during radio playback after a set period of time. This allows you to lie back, listen and fall asleep. The maximum sleep time is 59 minutes.

### Setting SLEEP

- 1 Set **OFF/ON/AUTO/BUZZ** to **OFF** position.
- 2 Set your sleep time by pressing on the **SLEEP** button. Keep your finger on the button and the display will begin to count down from 0:59 to 0:00 minute.
  - To cancel sleep, press **SET TIME/ALARM OFF**.
  - To view the remaining sleep time, press **SLEEP**.

## TROUBLESHOOTING

If a fault occurs, first check the points listed below before taking the set for repair. If you are unable to remedy a problem by following these hints, consult your dealer or service center.

**WARNING:** Under no circumstances should you try to repair the set yourself, as this will invalidate the warranty. Do not open the set as there is a risk of electric shock.

### Problem

- Possible Cause
- Remedy

### No sound/power

- Volume not adjusted
- Adjust the volume

### Occasional crackling sound during FM broadcast

- Weak signal
- Adjust the position of the power cord

### Continuous crackling/hiss disturbance during MW broadcast

- Electrical interference from TV, computer, fluorescent lamp, etc.
- Move set away from other electrical equipment

### The alarm does not function

- Alarm time not set and/or alarm mode not selected
- Set the alarm time and / select alarm mode
- Volume too low for RADIO
- Adjust the volume
- Radio alarm not adjusted to radio station
- Tune to a radio station

## SAFETY INFORMATION

- Place the set on a hard and flat surface so that the system does not tilt.
- If you do not intend to use the set for a long time, withdraw the power plug from the wall outlet. In addition to this, it is advisable to remove the battery from the clock radio. This will prevent any danger of leakage and the clock radio will not be damaged.
- Do not expose the set, batteries to humidity, rain, sand or excessive heat caused by heating equipment or direct sunlight.
- The apparatus shall not be exposed to dripping or splashing.
- Adequate ventilation with a minimum gap of 15cm between the ventilation holes and surrounding surfaces is necessary to prevent heat build-up.
- The ventilation should not be impeded by covering the ventilation openings with items, such as newspapers, table-cloths, curtains, etc..
- No objects filled with liquids, such as vases, shall be placed on the apparatus.
- No naked flame sources, such as lighted candles, should be placed on the apparatus.
- To clean the set, use a soft, slightly dampened chamois leather. Do not use any cleaning agents containing alcohol, ammonia, benzene or abrasives as these may harm the housing.

## CAUTION

**Use of controls or adjustments or performance of procedures other than herein may result in unsafe operation.**

*The set complies with the FCC-Rules, Part 15.*

*Operation is subject to the following two conditions:*

1. *This device may not cause harmful interference, and*
2. *This device must accept any interference received, including interference that may cause undesired operation.*

## PHILIPS LIMITED WARRANTY NINETY (90) DAY

### WARRANTY COVERAGE:

PHILIPS warranty obligation is limited to the terms set forth below.

### WHO IS COVERED:

Philips warrants the product to the original purchaser or the person receiving the product as a gift against defects in materials and workmanship as based on the date of original purchase ("Warranty Period") from an Authorized Dealer. The original sales receipt showing the product name and the purchase date from an authorized retailer is considered such proof.

### WHAT IS COVERED:

The Philips warranty covers new products if a defect arises and a valid claim is received by Philips within the Warranty Period. At its option, Philips will either (1) repair the product at no charge, using new or refurbished replacement parts, or (2) exchange the product with a product that is new or which has been manufactured from new, or serviceable used parts and is at least functionally equivalent or most comparable to the original product in Philips current inventory, or (3) refund the original purchase price of the product.

Philips warrants replacement products or parts provided under this warranty against defects in materials and workmanship from the date of the replacement or repair for ninety (90) days or for the remaining portion of the original product's warranty, whichever provides longer coverage for you. When a product or part is exchanged, any replacement item becomes your property and the replaced item becomes Philips' property. When a refund is given, your product becomes Philips' property.

**Note: Any product sold and identified as refurbished or renewed carries a ninety (90) day limited warranty.**

**Replacement product can only be sent if all warranty requirements are met. Failure to follow all requirements can result in delay.**

### WHAT IS NOT COVERED - EXCLUSIONS AND LIMITATIONS:

This Limited Warranty applies only to the new products manufactured by or for Philips that can be identified by the trademark, trade name, or logo affixed to it. This Limited Warranty does not apply to any non-Philips hardware product or any software, even if packaged or sold with the product. Non-Philips manufacturers, suppliers, or publishers may provide a separate warranty for their own products packaged with the bundled product.

Philips is not liable for any damage to or loss of any programs, data, or other information stored on any media contained within the product, or any non-Philips product or part not covered by this warranty. Recovery or reinstallation of programs, data or other information is not covered under this Limited Warranty.

This warranty does not apply (a) to damage caused by accident, abuse, misuse, misapplication, or non-Philips product, (b) to damage caused by service performed by anyone other than Philips or Philips Authorized Service Location, (c) to a product or a part that has been modified without the written permission of Philips, or (d) if any Philips serial number has been removed or defaced, or (e) product, accessories or consumables sold "AS IS" without warranty of any kind by including refurbished Philips product sold "AS IS" by some retailers.

### This Limited Warranty does not cover:

- Shipping charges to return defective product to Philips.
- Labor charges for installation or setup of the product, adjustment of customer controls on the product, and installation or repair of antenna systems outside of the product.
- Product repair and/or part replacement because of improper installation, connections to improper voltage supply, abuse, neglect, misuse, accident, unauthorized repair or other cause not within the control of Philips.
- Damage or claims for products not being available for use, or for lost data or lost software.
- Damage occurring to product during shipping.
- A product that requires modification or adaptation to enable it to operate in any country other than the country for which it was designed, manufactured, approved and/or authorized, or repair of products damaged by these modifications.
- A product used for commercial or institutional purposes (including but not limited to rental purposes).
- Product lost in shipment and no signature verification receipt can be provided.
- Failure to operate per Owner's Manual.

### TO OBTAIN ASSISTANCE IN THE U.S.A., PUERTO RICO, OR U.S. VIRGIN ISLANDS...

Contact Philips Customer Care Center at:  
1-888-PHILIPS (1-888-744-5477)

### TO OBTAIN ASSISTANCE IN CANADA...

1-800-661-6162 (French Speaking)  
1-888-PHILIPS (1-888-744-5477) - (English or Spanish Speaking)

REPAIR OR REPLACEMENT AS PROVIDED UNDER THIS WARRANTY IS THE EXCLUSIVE REMEDY FOR THE CONSUMER. PHILIPS SHALL NOT BE LIABLE FOR ANY INCIDENTAL OR CONSEQUENTIAL DAMAGES FOR BREACH OF ANY EXPRESS OR IMPLIED WARRANTY ON THIS PRODUCT. EXCEPT TO THE EXTENT PROHIBITED BY APPLICABLE LAW, ANY IMPLIED WARRANTY OF MERCHANTABILITY OR FITNESS FOR A PARTICULAR PURPOSE ON THIS PRODUCT IS LIMITED IN DURATION TO THE DURATION OF THIS WARRANTY.

Some states do not allow the exclusions or limitation of incidental or consequential damages, or allow limitations on how long an implied warranty lasts, so the above limitations or exclusions may not apply to you.

*This warranty gives you specific legal rights. You may have other rights which vary from state/province to state/province.*

Philips, P.O. Box 671539, Marietta, GA. 30006-0026

3121 233 48791

## Free Manuals Download Website

<http://myh66.com>

<http://usermanuals.us>

<http://www.somanuals.com>

<http://www.4manuals.cc>

<http://www.manual-lib.com>

<http://www.404manual.com>

<http://www.luxmanual.com>

<http://aubethermostatmanual.com>

Golf course search by state

<http://golfingnear.com>

Email search by domain

<http://emailbydomain.com>

Auto manuals search

<http://auto.somanuals.com>

TV manuals search

<http://tv.somanuals.com>