

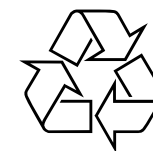
Clock Radio

AJL308

Meet Philips at the Internet
<http://www.philips.com>

Register your product and get support at
www.philips.com/welcome

User Manual



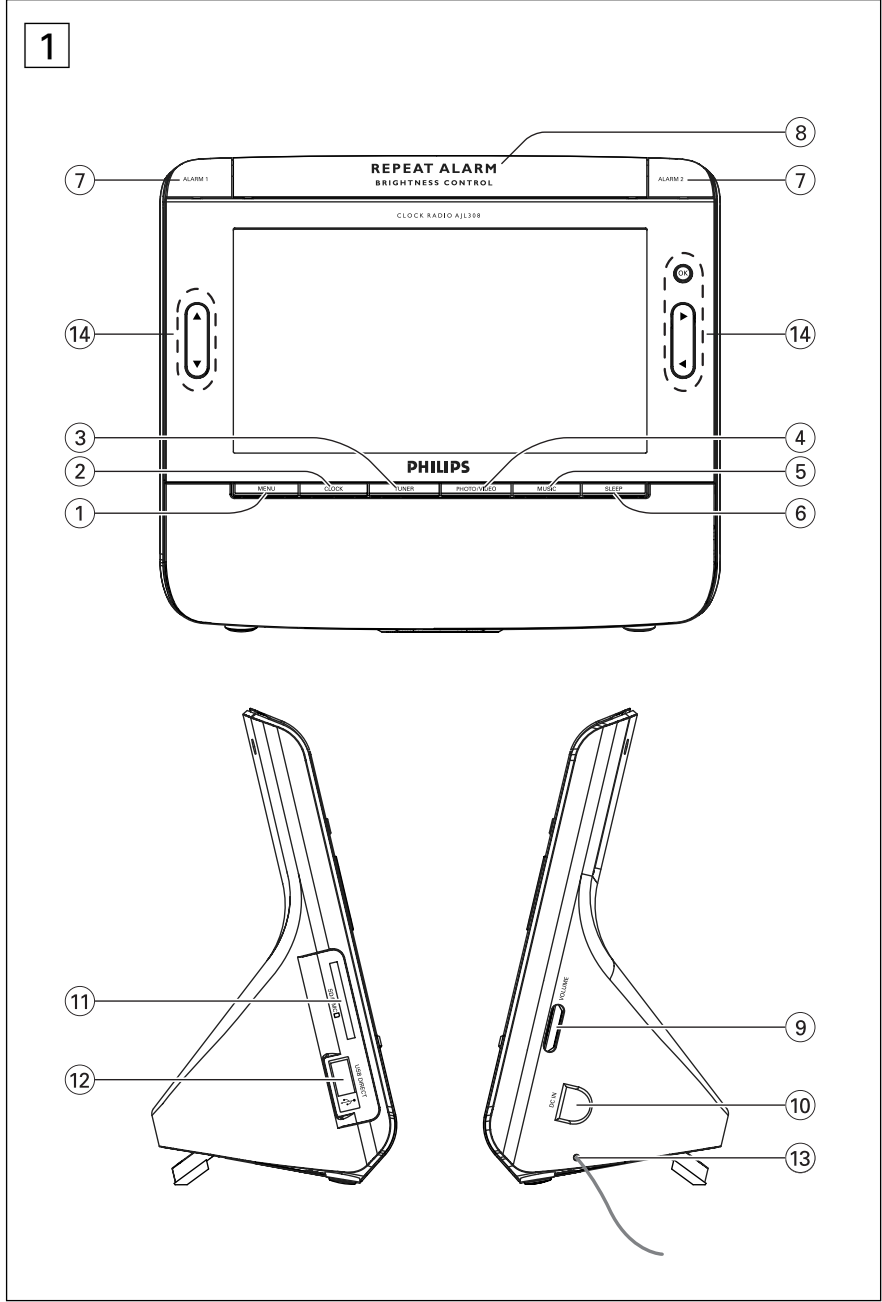
AJL308

PHILIPS



Printed in China

PDCC-JH/ZC-0743



English

Controls

Congratulations on your purchase and welcome to Philips!

To fully benefit from the support that Philips offers, register your product at www.philips.com/welcome.

Supplied accessory

- 1 X certified power adapter (Input: 100-240V ~50/60Hz 0.3A~0.4A, Output: 9V==1A)

Controls (see 1)

- ① **MENU**
- switches to menu setting
- ② **CLOCK**
- switches to clock mode
- ③ **TUNER**
- switches to tuner mode
- ④ **PHOTO/VIDEO**
- switches between photo and video mode
- ⑤ **MUSIC**
- switches to music mode
- ⑥ **SLEEP**
- sets, activates or deactivates sleep function
- ⑦ **ALARM 1/ALARM 2**
- sets, activates or deactivates alarm
- ⑧ **REPEAT ALARM/BRIGHTNESS CONTROL**
- repeats alarm in 9-minute interval
- adjusts brightness of LCD screen
- ⑨ **VOLUME**
- adjusts volume level
- ⑩ **DC IN**
- socket for DC 9V adaptor
- ⑪ **SD/MMC slot**
- connects to SD or MMC card
- ⑫ **USB port**
- connects to USB device
- ⑬ **Pigtail** - FM antenna to improve reception.
- ⑭ **OK, ▲, ▼, ►, ◀**

Mode Button	Clock	Tuner	Music	Photo	Video
OK	**Enlarge a picture in zoom mode	Turn on or off radio	Start or pause playback	Display a picture in a full screen	Start or pause playback
▲	-Select previous photo -Navigate in zoom mode	-Select a radio station -Select a preset number in program mode	-Select Repeat One/All or shuffle mode -Cancel play mode	-Rotate a picture 90° clockwise -Navigate in thumbnail pictures	-Switch between 16:9 and 4:3 screen ratio *- Selects audio language
▼	- Select next photo -Navigate in zoom mode	-Select a radio station -Select a preset number in program mode	-Select Repeat One/All or shuffle mode -Cancel play mode	-Rotate a picture 90° anti clockwise -Navigate in thumbnail pictures	-Select Repeat One/All mode -Cancel play mode *- Selects subtitle language
►	- Select next photo -Navigate in zoom mode	-Fine tune to a station *-Tune to a radio station	-Select next music file *-Fast forward playback	-Select next thumbnail pictures -Navigate in thumbnail pictures	-Select next video file *-Fast forward playback
◀	-Select previous photo -Navigate in zoom mode	-Fine tune to a station *-Tune to a radio station	-Select previous music file *-Fast reverse playback	-Select previous photo -Navigate in thumbnail pictures	-Select previous video file *-Fast reverse playback

* = press and hold
** = in clock mode, press and hold **CLOCK** button to enter zoom mode

Power supply/Basic operation

Power supply

- 1 Connect the supplied power adapter to the set's DC 9V socket and to the power socket.

Helpful hints:

To avoid damage to the set, use only the adapter supplied!

The type plate is located on the bottom of the set.

Setting OSD (On Screen Display) language

- 1 Press **MENU**.
→The menu appears.
- 2 Press ◀▶ to highlight "General".
- 3 Press ▼ to highlight "Language".
- 4 Press ◀▶ to select desired language.
- 5 After finishing the setting, press **CLOCK**, **TUNER**, **PHOTO/VIDEO** or **MUSIC** to exit the setup menu.

Setting time and date



- 1 Press **CLOCK**.
- 2 Use **MENU**.
- 3 Use ▲▼◀▶ to select a field of "Time Set" and "Date (Year-Month-Day)".
- 4 Press **OK** to confirm.
- 5 Press or hold down ▲▼ to set the values.
- 6 Press **OK** to confirm.
- 7 Repeat Steps 3-6 to set other values of "Time Set and "Date (Year-Month-Day)".
- 8 After finishing the setting, press **CLOCK**, **TUNER**, **PHOTO/VIDEO** or **MUSIC** to exit the setup menu.

Alarm

To change time format

- 1 In the Clock menu, press ▲▼ to select the value of "12/24 Hour Format".
- 2 Press ◀▶ to toggle between 12H and 24H.

Note:

When the set is disconnected from the power outlet for about 5 minutes, you need to reset the time and date.

Setting and activating alarm

You can set two different alarm times.

- 1 Press **CLOCK**.
- 2 Press and hold **ALARM 1** or **ALARM 2**.
→The hour digits flash.
- 3 Press or hold down ▲▼ to set hour.
- 4 Press **ALARM 1** or **ALARM 2** to confirm.
→The minute digits flash.
- 5 Press or hold down ▲▼ to set minute.
- 6 Press **ALARM 1** or **ALARM 2** to confirm.
- 7 Press again **ALARM 1** or **ALARM 2** to activate alarm setting.
→When alarm is activated, ☹️ is displayed.
→At the set alarm time, the alarm will sound and its volume will increase gradually.

Selecting alarm mode

- 1 Press **MENU**.
→The menu appears.
- 2 Use ◀▶ to highlight "Clock".
- 3 Press ▲▼ to select "Alarm Music".
- 4 Press ◀▶ to select specific music you like.
→Alarm will go off with the music you select.

Switching off the alarm

There are three ways of switching off the alarm. Unless you choose to cancel the alarm completely, the DAILY ALARM RESET option will be automatically kept activated from the time your alarm first goes off. call at the same time for the following day:

Daily alarm reset

If you want the alarm to be stopped immediately but also wish to repeat the alarm

- 1 During the alarm call, press any button except **REPEAT ALARM / BRIGHTNESS**

Alarm/Digital tuner

CONTROL:

→ ☹️ is displayed.

Repeat alarm

This will repeat your alarm call at 9-minute intervals.

- 1 During the alarm call, press **REPEAT ALARM / BRIGHTNESS CON-**

TROL:

→ ☹️ flashes.

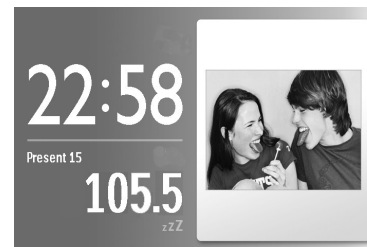
Switching off the alarm completely

- 1 Press repeatedly **ALARM 1** or **ALARM 2** until ☹️ is changed to 📞.
→When alarm is deactivated, 📞 is displayed.

Helpful hints:

During alarm call, if no button is pressed, alarm call will last 30 minutes.

Tuner



Tuning to radio station

- 1 Press **TUNER** to switch on radio (FM only).
 - 2 Press and hold ◀▶ for about 2 seconds, then release.
→The radio automatically tunes to a station of sufficient reception.
 - 3 Repeat step 2 if necessary until you find the desired station.
- To tune to a weak station, press ◀▶ briefly and repeatedly until you have found optimal reception.

Turning on/off radio

- To turn off radio, press **OK**. To turn on radio, press **OK** again.

To improve reception:

FM: Extend and adjust the pigtail for optimum reception.

Programming radio stations

You can store up to a total of 20 FM radio stations in the memory, manually or automatically (Auto store).

Manual programming

- 1 Tune to your desired station (See "Tuning to radio station").
- 2 Press and hold **TUNER** for about 2 seconds, then release.
→Preset number will flash.
- 3 Press ▲▼ once or more to allocate a number from 1 to 20.
→Preset number will flash.
- 4 Press **TUNER** again to confirm.
- 5 Repeat steps 1-4 to store other stations.

Note:

– You can erase a preset station by storing another frequency in its place.

Auto store

Autostore automatically starts programming radio stations from preset 1. Any previous presets e.g. manually programmed will be erased.

- 1 In TUNER mode, press **MENU** to display tuner menu.
- 2 Press ▼ to select "Tuner Auto Program".
- 3 Press **OK**.
→Available stations are programmed (FM). After all stations are stored, the first autostore preset station will then automatically play.

To listen to a preset or autostore station

Press ▲▼ once or more until the desired preset station is displayed.

USB/Memory card(SD/MMC)

Using USB device/memory card (SD/MMC)

Connect a USB device, or a memory card (SD or MMC card) to AJL308, you can enjoy audio, picture and video files stored on the USB device or memory card through the speakers and LCD screen of AJL308.

Listening to music

- 1 Plug a compatible USB device or a memory card (SD or MMC) to USB port, or memory card slot.
→The folder(s) indicating the inserted device appears.
- 2 Press ▲▼ to select the folder of USB device (if present) or memory card (if present).
- 3 Press **OK** to open the folder:
→The set will auto switch to clock mode.
- 4 Press **MUSIC** to switch to music mode.
→All the stored music files are listed in the menu.
- 5 Press ▲▼ to select a file.
- 6 Press **OK** to play.
 - **To pause**, press **OK**. To resume, press **OK** again.
 - **To select next/previous file**, press ◀▶.
 - **To fast forward/reverse**, press and hold ▶ or ◀ until ▶▶ or ◀◀ appears on the lower-left corner of the screen, then press briefly and repeatedly to select 5 different playback speeds. To return to normal playback, press ▶ or ◀ until displayed ▶▶ or ◀◀ is change to ▶.
 - **To repeat One, All or Shuffle**, press once or more ▲▼. To cancel play mode, press ▲▼ until "Off" is display.

Viewing photo

- 1 Repeat steps 1 to 3 in "Listening to music".
- 2 Press **PHOTO/VIDEO** to switch to photo mode.
→The pictures stored on the USB device or memory card will be displayed in thumbnail.
- 3 To display a picture in full screen, press ▲▼ ◀▶ to select a thumbnail, then press **OK**.

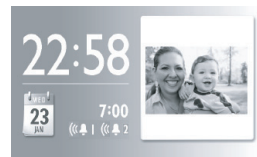
→The slideshow of the stored pictures will start from the selected picture.

- Press ▲▼ to rotate the picture 90° clockwise or anti clockwise.
- Press ◀▶ to display previous/next photo.
- To change slideshow interval, see "**Using setup menu options**"

To view photo in clock mode

- 1 Press **OK** to access thumbnail, then press ▲▼◀▶ to select desired photo, then press **OK** to confirm.
Or, directly press ▲(◀) / ▼(▶) display previous/next photo.
- To enlarge the displayed photo (zoom mode), press and hold **CLOCK** for around 2 seconds, then press **OK** repeatedly to enlarge picture or resume to normal size, and you may use ▲▼◀▶ to pan the enlarged picture through. To exit zoom mode, press **CLOCK** again.

Before zoom



After zoom



USB/Memory card(SD/MMC)

To select display picture format

- You may change still picture display format on the screen by selecting "Widescreen" or "Normal" under "Display Format" in the General Menu.

Wide screen Normal



Viewing video

- 1 Repeat steps 1 to 3 in "Listening to music".
- 2 Press **PHOTO/VIDEO** to switch to **VIDEO** mode.
- 3 Press ▲▼ to select a video file.
- 4 Press **OK** to play.
 - **To pause**, press **OK**. To resume, press **OK** again.
 - **To display next/previous video file**, press once or more ◀▶.
 - **To fast forward/reverse**, press and hold ▶▶ or ◀◀ until ▶▶▶▶ or ◀◀◀◀ appears on the lower-left corner of the screen, then press briefly and repeatedly to select 5 different playback speeds. To return to normal playback, press ▶ or ◀ until displayed ▶▶▶▶ or ◀◀◀◀ is change to ▶.
 - **To repeat One/All**, press once or more ▼. To cancel play mode, press ▼ until "Off" is displayed.
 - **To switch between 16:9 and 4:3 screen ratio**, press once or more ▲.
 - **To select audio language**, press and hold ▲ (The feature is dependent on video file.)
 - **To select subtitle language**, press and hold ▼ (The feature is dependent on video file.)

Compatible USB device

- USB flash memory (USB 2.0 or USB 1.1)
- USB flash player (USB 2.0 or USB 1.1)
- USB device which requires driver installation under Windows XP is not supported.

Compatible memory card

- SD card
- MMC card

Note:

In some USB flash players (or memory devices), the stored contents are recorded using copyright protection technology. Such protected contents will be unplayable on any other devices (such as AJL308 device).

File compatibility

Music

- This device only supports unprotected music with the following file extension:
 - .mp3
 - .wma
- Music bought from on-line music stores are not supported because they are secured by Digital Rights Management protection (DRM).

Picture

- This device only supports picture file with the following file extension:
 - .jpg

Video

- This device only supports video file with the following file:
 - MPEG4
 - DivX

Sleep / Illumination

Sleep

The clock radio has a built-in sleep timer, which enables the set to automatically turn off sound during radio or music playback after a set period of time.

Option 1:

- 1 Press **TUNER**.
- 2 Press **SLEEP** until your desired sleep option is displayed.
→Radio will turn on if radio was previously turned off.

Option 2:

- 1 Press **CLOCK** or **PHOTO/VIDEO** to enter respective mode.
- 2 Press **MENU**.
- 3 Press ◀▶ to highlight "General".
- 4 Press ▲▼ to select "Sleep Timer Music".
- 5 Press ◀▶ to select specific music you like.
→The set will turn on with the music you select.

Option 3: using USB/Memory card (SD/MMC)

- 1 Repeat steps 1-8 described in "Listening to music".
- 2 Press **SLEEP** until your desired sleep option is displayed.

To deactivate sleep function

When sleep is activated, **zZ** is display.

- Press **SLEEP** until "Off" is displayed.

Illumination brightness

The LCD brightness can be adjusted manually and automatically.

Manually adjusting

- Press **REPEAT ALARM / BRIGHTNESS CONTROL** once or more to cycle screen brightness through 4 levels.

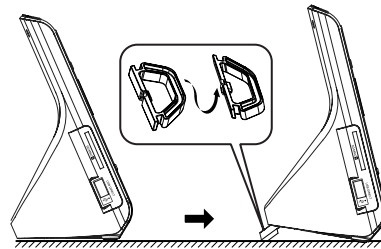
Automatically adjusting

To avoid strong light emitting from the unit at night time, the auto dim function can be used to adjust the brightness to the lowest level automatically.

- 1 Press **MENU**.
 - 2 Press ◀▶ to highlight "General".
 - 3 Press ▲▼ to select "Auto Dim Timer".
 - 4 Press ◀▶ to select "On".
 - 5 Press ▲▼ to select "Auto Dim - Start".
 - 6 Press ◀▶ to select the time that auto dim will start.
 - 7 Press ▲▼ to select "Auto Dim - End".
 - 8 Press ◀▶ to select the time that auto dim will end.
- When auto dim is set, during auto dim time span, the LCD brightness will be auto adjusted to the lowest level. Press any button to increase the brightness and it will last 10 seconds.

Using the stand

The set is equipped with a stand on the bottom panel. To set the set for a different viewing angle take the stand out, then place it back by reversing (see the figure below) the side of the stand.



Setup menu

Using Setup menu options

The setup menu offers you advanced features.

- 1 Press **MENU**.
→The menu appears.
- 2 Press ◀▶ to select "General".
- 3 Press ▲▼ to select an item.
- 4 Press ◀▶ to select an option under the item.
- 4 After finishing the setting, press **CLOCK, TUNER, PHOTO/VIDEO** or **MUSIC** to exit the setup menu.

Setup	Option	Description
Language	English/Français/Deutsch/Español	Select a desired on screen display language
Brightness	-3~3	Select a brightness value
Auto Dim Timer	Off/On	Turns on or off auto dim for LCD brightness.
Auto Dim - Start	21:00	Set the start time for auto dim
Auto Dim - End	7:00	Set the end time for auto dim
Wall Paper	Blue/Green/Red/Purple	Select different color for LCD background
Sleep Timer Music	3 music files are preset	Select one file for sleep function
Picture Display	Slideshow mode/Browse mode	Select different mode to display picture
Slideshow Sequence	Sequential/Random	Select different slideshow sequence
* Slideshow Effect	None/Random /16 effects available	Select different slideshow effects
Slideshow Frequence	5 Seconds/10 Seconds/ 30 Seconds/ 1 Minute/ 5 Mintues/30 Minutes 1/ Hour/ 2 Hours	Select different slideshow intervals
Display Format	Wide screen/Normal	Select picture display format
File Information Display	Off/On	Turns on or off file name display
Video Display	Playback Time/Remain Time	Select different video time to be displayed
DivX VOD		Press OK to get DivX registration code.
Restore Default settings	Reset	Press OK to restore to the factory default settings.

* = To turn on slideshow effect, you must select slideshow mode in "Picture Display".

Safety and maintenance

Safety and general maintenance

- If you do not intend to use the clock radio for a long time, withdraw the power cord from the wall outlet.
- Place the set on a hard and flat surface so that the system does not tilt.
- Where the MAINS plug or an appliance coupler is used as the disconnect device, the disconnect device shall remain readily operable.
- Install the unit near the AC outlet and where the AC power plug can be easily reached.
- The apparatus shall not be exposed to dripping or splashing
- Do not expose the set, batteries, to humidity, rain, sand or excessive heat caused by heating equipment or direct sunlight.
- No objects filled with liquids, such as vases, shall be placed on the apparatus.
- No naked flame sources, such as lighted candles, should be placed on the apparatus.
- Do not cover the set. Adequate ventilation with a minimum gap of 6 inches between the ventilation holes and surrounding surfaces is necessary to prevent heat build-up.
- The mechanical parts of the set contain self-lubricating bearings and must not be oiled or lubricated.
- To clean the set, use a soft dry cloth. Do not use any cleaning agents containing alcohol, ammonia, benzene or abrasives as these may harm the housing.

INFORMATION REGARDING USB DIRECT:

1. Compatibility of the USB connection on this product:
 - a) This product supports most USB Mass storage devices (MSD) that these devices are compliant to the USB MSD standards.
 - i) Most common Mass storage class devices are flash drives, memory sticks, jump drives and etc.
 - ii) If you see a "Disc Drive" showing up on your computer after you have plugged the mass storage device into your computer, most likely it is MSD compliant and it will work with this product.
 - b) If your Mass storage device requires a battery/power source, please make sure you have a fresh battery in it or charge the USB device first and then plug it into this product again.
2. Supported Music type:
 - a) This device only supports unprotected music with file extension: .mp3 .wma
 - b) Music bought from on-line music stores are not supported because they are secured by Digital Rights Management protection (DRM).
 - c) File name extensions that ended with the following are not supported: .wav; .m4a; .m4p; .mp4; .aac and etc.
3. No Direct connection can be made from a Computer USB port to this product even you have either or both mp3 or wma file in your computer:

Troubleshooting

If a fault occurs, first check the points listed below before taking the set for repair. If you are unable to remedy a problem by following these hints, consult your dealer or service center.

WARNING: Do not open the set as there is a risk of electric shock. Under no circumstances should you try to repair the set yourself, as this will invalidate the warranty.

No sound.

- Volume not adjusted.
- Adjust the VOLUME.

Occasional crackling sound during FM broadcast.

- Weak signal.
- Extend the pigtail antenna fully.

The alarm does not function.

- Alarm time is not set.
- See section on Setting and activating alarm.
- Alarm is not activated.
- See section on Setting and activating alarm.

"No card is selected" is displayed on the screen.

- A USB device or memory card (SD or MMC) is not inserted.
- Insert a USB device or memory card (SD or MMC).

The screen brightness keeps turning dark.

- The set is in auto dim timing.
- To let the screen keep bright, turn off auto dim timer.

Note:

When opening the folder of an external device or its file stored in, read time may exceed the normal time due to large folder or file.

Environmental information

All unnecessary packaging material has been omitted. The packaging can be easily separated into three materials: cardboard, polystyrene and plastic.

Your set consists of materials which can be recycled if disassembled by a specialized company. Please observe the local regulations regarding the disposal of packaging, dead batteries and old equipment.

Free Manuals Download Website

<http://myh66.com>

<http://usermanuals.us>

<http://www.somanuals.com>

<http://www.4manuals.cc>

<http://www.manual-lib.com>

<http://www.404manual.com>

<http://www.luxmanual.com>

<http://aubethermostatmanual.com>

Golf course search by state

<http://golfingnear.com>

Email search by domain

<http://emailbydomain.com>

Auto manuals search

<http://auto.somanuals.com>

TV manuals search

<http://tv.somanuals.com>