

Register your product and get support at  
[www.philips.com/welcome](http://www.philips.com/welcome)

AJL750



Thank you for choosing Philips.

### Need help fast?

Read your Quick Start Guide and/or User Manual first for quick tips that make using your Philips product more enjoyable.

If you have read your instructions and still need assistance, you may access our online help at

[www.philips.com/welcome](http://www.philips.com/welcome)  
or call

**1-888-PHILIPS (744-5477)**  
while with your product.

(and Model / Serial number)



Philips vous remercie de votre confiance.

### Besoin d'une aide rapide?

Le Guide rapide de début et Manuel de l'utilisateur regorgent d'astuces destinées à simplifier l'utilisation de votre produit Philips. Toutefois, si vous ne parvenez pas à résoudre votre problème, vous pouvez accéder à notre aide en ligne à l'adresse

[www.philips.com/welcome](http://www.philips.com/welcome)  
ou formez le

**1-800-661-6162 (Francophone)**  
**1-888-PHILIPS (744-5477) (English speaking)**

Veillez à avoir votre produit à portée de main.  
(et model / serial nombre)



Gracias por escoger Philips

### Necesita ayuda inmediata?

Lea primero la Guía rápida del comienzo o el Manual del usuario, en donde encontrará consejos que le ayudarán a disfrutar plenamente de su producto Philips.

Si después de leerlo aún necesita ayuda, consulte nuestro servicio de asistencia en línea en

[www.philips.com/welcome](http://www.philips.com/welcome)  
o llame al teléfono

**1-888-PHILIPS (744-5477)**  
y tenga a mano el producto.  
(y número de model / serial)



---

EN User manual

---

ES Manual del usuario

---

FR Mode d'emploi

---

# PHILIPS

## Canada

### English:

This digital apparatus does not exceed the Class B limits for radio noise emissions from digital apparatus as set out in the Radio Interference Regulations of the Canadian Department of Communications. This Class B digital apparatus complies with Canadian ICES-003.

### Français:

Cet appareil numérique n'émet pas de bruits radioélectriques dépassant les limites applicables aux appareils numériques de Classe B prescrites dans le Règlement sur le Brouillage Radioélectrique édicté par le Ministère des Communications du Canada. Cet appareil numérique de la classe B est conforme à la norme NMB-003 du Canada.

**The set complies with the FCC-Rules, Part 15 and with 21 CFR 1040.10. Operation is subject to the following two conditions:**

1. This device may not cause harmful interference, and
2. This device must accept any interference received, including interference that may cause undesired operation.

**L'appareil est conforme à la réglementation FCC, section 15, et à la norme 21 CFR 1040.10. Son utilisation est soumise à deux conditions :**

1. L'appareil ne doit pas provoquer d'interférences nuisibles, et
2. L'appareil doit supporter les interférences reçues, y compris les interférences empêchant son fonctionnement correct.

# Contents

---

<b>1 Important</b>	6
Safety	6
Notice	7

---

<b>2 Your kitchen clock radio</b>	9
Introduction	9
What's in the box	9
Overview of the main unit	10
Overview of the remote control	11

---

<b>3 Get started</b>	13
Mount the set under your kitchen cabinet	13
Connect power	14
Connect TV antenna	14
Install remote control battery	14
Set time	15
Turn on	15

---

<b>4 Play</b>	16
Watch TV	16
Play from an external device	16

---

<b>5 Listen to radio</b>	17
Tune to a radio station	17
Program radio stations automatically	17
Program radio stations manually	17
Select a preset radio station	17

---

<b>6 Adjust sound</b>	18
Adjust the volume level	18
Mute sound	18
Enhance bass	18

---

<b>7 Other features</b>	19
Set the kitchen timer	19

---

<b>8 Product information</b>	20
Specifications	20

---

<b>9 Troubleshooting</b>	21
--------------------------	----

**Return your Product Registration Card or register online at  
[www.philips.com/welcome](http://www.philips.com/welcome) today to get the very most from your purchase.**

Registering your model with PHILIPS makes you eligible for all of the valuable benefits listed below, so don't miss out. Complete and return your Product Registration Card at once, **or register online at [www.philips.com/welcome](http://www.philips.com/welcome)** to ensure:

**\*Proof of Purchase**

Returning the enclosed card guarantees that your date of purchase will be on file, so no additional paperwork will be required from you to obtain warranty service.

**\*Product Safety Notification**

By registering your product, you'll receive notification - directly from the manufacturer - in the rare case of a product recall or safety defect.

**\*Additional Benefits**

Registering your product guarantees that you'll receive all of the privileges to which you're entitled, including special money-saving offers.

# PHILIPS

**Congratulations on your purchase, and welcome to the "family!"**

**Dear PHILIPS product owner:**

Thank you for your confidence in PHILIPS. You've selected one of the best-built, best-backed products available today. We'll do everything in our power to keep you happy with your purchase for many years to come.

As a member of the PHILIPS "family," you're entitled to protection by one of the most comprehensive warranties and outstanding service networks in the industry. What's more, your purchase guarantees you'll receive all the information and special offers for which you qualify, plus easy access to accessories from our convenient home shopping network.

Most importantly, you can count on our uncompromising commitment to your total satisfaction.

All of this is our way of saying welcome - and thanks for investing in a PHILIPS product.

**P.S. To get the most from your PHILIPS purchase, be sure to complete and return your Product Registration Card at once, or register online at:**

**[www.philips.com/welcome](http://www.philips.com/welcome)**

Know these **safety** symbols



This "bolt of lightning" indicates un-insulated material within your unit may cause an electrical shock. For the safety of everyone in your household, please do not remove product covering.

The "exclamation point" calls attention to features for which you should read the enclosed literature closely to prevent operating and maintenance problems.

**WARNING:** To reduce the risk of fire or electric shock, this apparatus should not be exposed to rain or moisture and objects filled with liquids, such as vases, should not be placed on this apparatus.

**CAUTION:** To prevent electric shock, match wide blade of plug to wide slot, fully insert.

**ATTENTION:** Pour éviter les choc électriques, introduire la lame la plus large de la fiche dans la borne correspondante de la prise et pousser jusqu'au fond.

**For Customer Use**

Enter below the Serial No. which is located on the rear of the cabinet. Retain this information for future reference.

Model No. \_\_\_\_\_  
 Serial No. \_\_\_\_\_

**PHILIPS** Visit our World Wide Web Site at <http://www.philips.com/welcome>

## PHILIPS LIMITED WARRANTY ONE (1) YEAR

### WARRANTY COVERAGE:

PHILIPS warranty obligation is limited to the terms set forth below.

### WHO IS COVERED:

Philips warrants the product to the original purchaser or the person receiving the product as a gift against defects in materials and workmanship as based on the date of original purchase ("Warranty Period") from an Authorized Dealer. The original sales receipt showing the product name and the purchase date from an authorized retailer is considered such proof.

### WHAT IS COVERED:

The Philips warranty covers new products if a defect in material or workmanship occurs and a valid claim is received by Philips within the Warranty Period. At its option, Philips will either (1) repair the product at no charge, using new or refurbished replacement parts, or (2) exchange the product with a product that is new or which has been manufactured from new, or serviceable used parts and is at least functionally equivalent or most comparable to the original product in Philips current inventory, or (3) refund the original purchase price of the product. Philips warrants replacement products or parts provided under this warranty against defects in materials and workmanship from the date of the replacement or repair for ninety (90) days or for the remaining portion of the original product's warranty, whichever provides longer coverage for you. When a product or part is exchanged, any replacement item becomes your property and the replaced item becomes Philips' property. When a refund is given, your product becomes Philips' property.

**Note: Any product sold and identified as refurbished or renewed carries a ninety (90) day limited warranty.**

**Replacement product can only be sent if all warranty requirements are met. Failure to follow all requirements can result in delay.**

### WHAT IS NOT COVERED - EXCLUSIONS AND LIMITATIONS:

This Limited Warranty applies only to the new products manufactured by or for Philips that can be identified by the trademark, trade name, or logo affixed to it. This Limited Warranty does not apply to any non-Philips hardware product or any software, even if packaged or sold with the product. Non-Philips manufacturers, suppliers, or publishers may provide a separate warranty for their own products packaged with the bundled product.

Philips is not liable for any damage to or loss of any programs, data, or other information stored on any media contained within the product, or any non-Philips product or part not covered by this warranty. Recovery or reinstallation of programs, data or other information is not covered under this Limited Warranty.

This warranty does not apply (a) to damage caused by accident, abuse, misuse, neglect, misapplication, or non-Philips product, (b) to damage caused by service performed by anyone other than Philips or Philips Authorized Service Location, (c) to a product or a part that has been modified without the written permission of

Philips, or (d) if any Philips serial number has been removed or defaced, or (e) product, accessories or consumables sold "AS IS" without warranty of any kind by including refurbished Philips product sold "AS IS" by some retailers.

### This Limited Warranty does not cover:

- Shipping charges to return defective product to Philips.
- Labor charges for installation or setup of the product, adjustment of customer controls on the product, and installation or repair of antenna/signal source systems outside of the product.
- Product repair and/or part replacement because of improper installation or maintenance, connections to improper voltage supply, power line surge, lightning damage, retained images or screen markings resulting from viewing fixed stationary content for extended periods, product cosmetic appearance items due to normal wear and tear, unauthorized repair or other cause not within the control of Philips.
- Damage or claims for products not being available for use, or for lost data or lost software.
- Damage from mishandled shipments or transit accidents when returning product to Philips.
- A product that requires modification or adaptation to enable it to operate in any country other than the country for which it was designed, manufactured, approved and/or authorized, or repair of products damaged by these modifications.
- A product used for commercial or institutional purposes (including but not limited to rental purposes).
- Product lost in shipment and no signature verification receipt can be provided.
- Failure to operate per Owner's Manual.

### TO OBTAIN ASSISTANCE IN THE U.S.A., PUERTO RICO, OR U.S. VIRGIN ISLANDS...

Contact Philips Customer Care Center at:  
1-888-PHILIPS (1-888-744-5477)

### TO OBTAIN ASSISTANCE IN CANADA...

1-800-661-6162 (French Speaking)  
1-888-PHILIPS (1-888-744-5477) - (English or Spanish Speaking)

REPAIR OR REPLACEMENT AS PROVIDED UNDER THIS WARRANTY IS THE EXCLUSIVE REMEDY FOR THE CONSUMER. PHILIPS SHALL NOT BE LIABLE FOR ANY INCIDENTAL OR CONSEQUENTIAL DAMAGES FOR BREACH OF ANY EXPRESS OR IMPLIED WARRANTY ON THIS PRODUCT. EXCEPT TO THE EXTENT PROHIBITED BY APPLICABLE LAW, ANY IMPLIED WARRANTY OF MERCHANTABILITY OR FITNESS FOR A PARTICULAR PURPOSE ON THIS PRODUCT IS LIMITED IN DURATION TO THE DURATION OF THIS WARRANTY.

Some states do not allow the exclusions or limitation of incidental or consequential damages, or allow limitations on how long an implied warranty lasts, so the above limitations or exclusions may not apply to you.

*This warranty gives you specific legal rights. You may have other rights which vary from state/province to state/province.*

Philips, P.O. Box 10313 Stamford, CT 06904

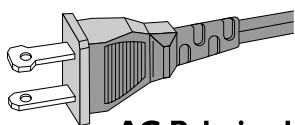
3140 035 50201

# 1 Important

## Safety

### Important Safety Instructions

- ① Read these instructions.
- ② Keep these instructions.
- ③ Heed all warnings.
- ④ Follow all instructions.
- ⑤ Do not use this apparatus near water.
- ⑥ Clean only with dry cloth.
- ⑦ Do not block any ventilation openings. Install in accordance with the manufacturer's instructions.
- ⑧ Do not install near any heat sources such as radiators, heat registers, stoves, or other apparatus (including amplifiers) that produce heat.
- ⑨ Do not defeat the safety purpose of the polarized or grounding-type plug. A polarized plug has two blades with one wider than the other. A grounding type plug has two blades and a third grounding prong. The wide blade or the third prong are provided for your safety. If the provided plug does not fit into your outlet, consult an electrician for replacement of the obsolete outlet.



**AC Polarized Plug**

- ⑩ Protect the power cord from being walked on or pinched, particularly at plugs, convenience receptacles, and the point where they exit from the apparatus.

- ⑪ Only use attachments/accessories specified by the manufacturer.
- ⑫ Use only with the cart, stand, tripod, bracket, or table specified by the manufacturer or sold with the apparatus. When a cart is used, use caution when moving the cart/apparatus combination to avoid injury from tip-over.



- ⑬ Unplug this apparatus during lightning storms or when unused for long periods of time.
- ⑭ Refer all servicing to qualified service personnel. Servicing is required when the apparatus has been damaged in any way, such as power-supply cord or plug is damaged, liquid has been spilled or objects have fallen into the apparatus, the apparatus has been exposed to rain or moisture, does not operate normally, or has been dropped.
- ⑮ **Battery usage CAUTION** – To prevent battery leakage which may result in bodily injury, property damage, or damage to the unit:
  - Install all batteries correctly, + and - as marked on the unit.
  - Do not mix batteries (old and new or carbon and alkaline, etc.).
  - Remove batteries when the unit is not used for a long time.
- ⑯ Apparatus shall not be exposed to dripping or splashing.
- ⑰ Do not place any sources of danger on the apparatus (e.g. liquid filled objects, lighted candles).

- ⑱ This product may contain lead and mercury. Disposal of these materials may be regulated due to environmental considerations. For disposal or recycling information, please contact your local authorities or the Electronic Industries Alliance: [www.eiae.org](http://www.eiae.org).
- Where the MAINS plug or an appliance coupler is used as the disconnect device, the disconnect device shall remain readily operable.



#### Warning

- Never remove the casing of this apparatus.
- Never lubricate any part of this apparatus.
- Never place this apparatus on other electrical equipment.
- Keep this apparatus away from direct sunlight, naked flames or heat.
- Ensure that you always have easy access to the power cord, plug or adaptor to disconnect the apparatus from the power.



#### Caution

- To reduce the risk of fire, do not place any heating or cooking apparatus beneath this unit.

## Notice

### Notice for the USA

This equipment has been tested and found to comply with the limits for a **Class B digital device**, pursuant to **part 15 of the FCC Rules**. These limits are designed to provide reasonable protection against harmful interference in a residential installation. This equipment generates, uses, and can radiate radio frequency energy and, if not installed and used in accordance with the instruction manual, may cause harmful interference to radio communications.

However, there is no guarantee that interference will not occur in a particular installation. If this equipment does cause harmful interference to radio or television reception, which can be determined by turning the equipment off and on, the user is encouraged to try to correct the interference by one or more of the following measures:

- Relocate the receiving antenna.
- Increase the separation between equipment and receiver.
- Connect the equipment into an outlet on a circuit different from that to which the receiver is connected.
- Consult the dealer or an experienced radio/TV technician for help.

Any changes or modifications made to this device that are not expressly approved by Philips Consumer Lifestyle may void the user's authority to operate the equipment.

## Disposal of your old product and batteries

Your product is designed and manufactured with high quality materials and components, which can be recycled and reused.

Never dispose of your product with other household waste. Please inform yourself about the local rules on the separate collection of electrical and electronic products and batteries. The correct disposal of these products helps prevent potentially negative consequences on the environment and human health.

Your product contains batteries, which cannot be disposed of with normal household waste. Please inform yourself about the local rules on separate collection of batteries. The correct disposal of batteries helps prevent potentially negative consequences on the environment and human health.

Please visit [www.recycle.philips.com](http://www.recycle.philips.com) for additional information on a recycling center in your area.



### Caution

- Removal of the built-in battery invalidates the warranty and may destroy the product.

### Environmental information

All unnecessary packaging has been omitted. We have tried to make the packaging easy to separate into three materials: cardboard (box), polystyrene foam (buffer) and polyethylene (bags, protective foam sheet.)

Your system consists of materials which can be recycled and reused if disassembled by a specialized company. Please observe the local regulations regarding the disposal of packaging materials, exhausted batteries and old equipment.



## 2 Your kitchen clock radio

Congratulations on your purchase, and welcome to Philips! To fully benefit from the support that Philips offers, register your product at [www.philips.com/welcome](http://www.philips.com/welcome).

---

### Introduction

With this unit, you can:

- watch TV.
- listen to FM radio stations.
- enjoy audio from external devices.
- know the time.
- set a kitchen alarm timer.

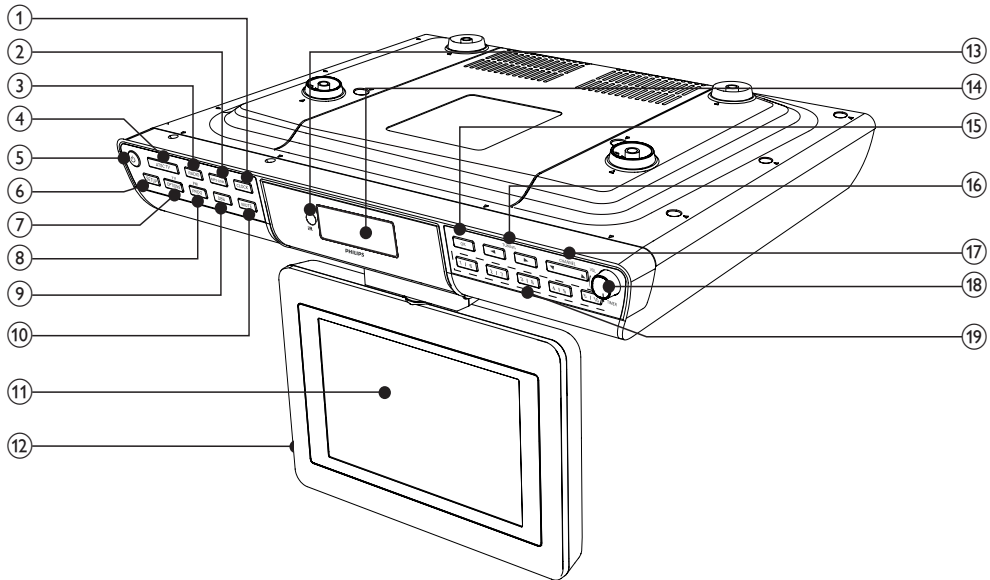
---

### What's in the box

Check and identify the contents of your package:

- Main unit
- Remote control
- Mounting kit
- Printing material (including user manual, quick start guide etc.)

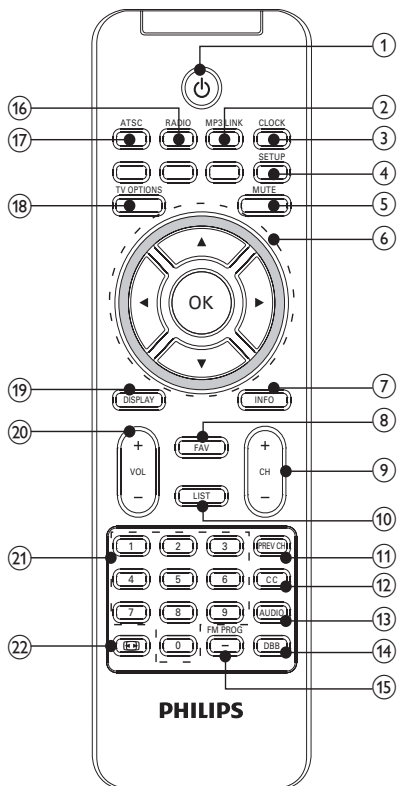
## Overview of the main unit




- ① **CLOCK**
  - Set/view the time.
- ② **MP3 LINK**
  - Select an external audio device.
- ③ **RADIO**
  - Switch on the radio.
- ④ **ATSC TV**
  - Switch on TV.
- ⑤ **⏻**
  - Turn on the unit or switch to standby mode.
- ⑥ **SETUP**
  - Show TV setup page.
- ⑦ **TV OPTIONS**
  - Show TV options page.
- ⑧ **FM PROG**
  - Program radio stations automatically.
- ⑨ **DBB**
  - Turn on/off dynamic bass enhancement.
- ⑩ **MUTE**
  - Mute/unmute sound.
- ⑪ **TV Screen**
- ⑫ **MP3 link door**
- ⑬ **iR**
  - Remote control sensor.
- ⑭ **DISPLAY**
  - Show current status.
- ⑮ **OK**
- ⑯ **TUNING ◀▶**
  - Tune to a radio station.
  - Select hour/minute/time format settings.
- ⑰ **CHANNEL ▼/▲**
  - Select a TV channel or a preset radio station.

- ⑱ **TIMER/VOL**
- Adjust volume.
  - Activate/deactivate the timer.
  - Setting alarm timer from 1 minute to 10 hours.
- ⑲ **PRESET 1/6 2/7 3/8 4/9 5/10**
- Preset radio stations.
  - Access the stored radio stations or channels.

## Overview of the remote control



- ① **⏻**
- Turn on the unit or switch to standby mode.
- ② **MP3 LINK**
- Select an external audio device.
- ③ **CLOCK**
- Set/view the time.
- ④ **SETUP**
- Show TV setup page.
- ⑤ **MUTE**
- Mute/unmute sound.
- ⑥ **OK▲▼◀▶**
- Select a TV channel or a preset radio station.
  - Tune to a radio station.
  - Select hour/minute/time format settings.
  - Confirm the settings.
- ⑦ **INFO**
- Show information page.
- ⑧ **FAV**
- Favorite list.
- ⑨ **CH +/-**
- Select a TV channel or a preset radio station.
- ⑩ **LIST**
- TV list.
- ⑪ **PREV CH**
- Switch to previous channel.
- ⑫ **CC**
- Turn on/off the caption.
- ⑬ **AUDIO**
- Select audio language.
- ⑭ **DBB**
- Turn on/off dynamic bass enhancement.
- ⑮ **FM PROG**
- Program radio stations automatically.

- ⑩ **RADIO**
  - Turn on radio.
- ⑪ **ATSCTV**
  - Switch on TV.
- ⑫ **OPTIONS**
  - Show TV options page.
- ⑬ **DISPLAY**
  - TV display.
- ⑭ **VOL +/-**
  - Adjust volume.
- ⑮ **0-9**
  - Select a radio station or TV channel.
- ⑯ ****
  - Select wide screen display.

# 3 Get started

## ! Caution

- Use of controls or adjustments or performance of procedures other than herein may result in hazardous radiation exposure or other unsafe operation.

Always follow the instructions in this chapter in sequence.

If you contact Philips, you will be asked for the model and serial number of this apparatus. The model number and serial number are on the rear of the apparatus. Write the numbers here:  
Model No. \_\_\_\_\_  
Serial No. \_\_\_\_\_

## Mount the set under your kitchen cabinet

### Test TV reception quality

## ! Caution

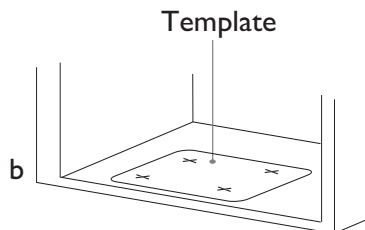
- Test the TV reception before mounting the set under the kitchen cabinet.
- If the TV reception is poor, connect the main unit with a fix TV cable or buy an active antenna (PHILIPS SDV 2740, SDV 6122, SDV 2750).

- 1 Connect the supplied antenna to ANTENNA jack.
- 2 Place the main unit as close to open area or window as possible.
- 3 Adjust the place of the main unit until you get optimal signal reception.

## Preparation

### ☰ Note

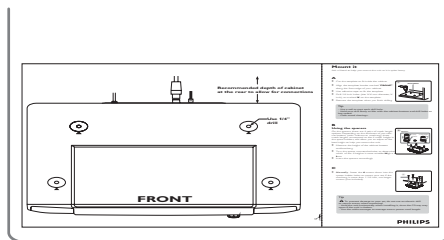
- Ask a friend or a professional personnel to safely mount the product under your kitchen cabinet.



- a. Find a mounting location near a wall outlet.
- b. Use the mounting template to test the design and thickness of your kitchen cabinet.
- c. Decide whether you want to connect the set with other audio/video equipment.

## Mounting the set

For full details on how to use the Mounting Kit, please refer to the printed instructions in the **Quick Start Guide** and **Template**.



## ! Warning

- Never plug in the AC power cord to the power outlet before installation is completed.
- Do not use a converter or extension cord.
- Install the set as far as possible from sources of interference, such as a refrigerator, microwave oven, fluorescent lamp, etc.
- There should be at least 2.5" distance between the unit and the wall.

---

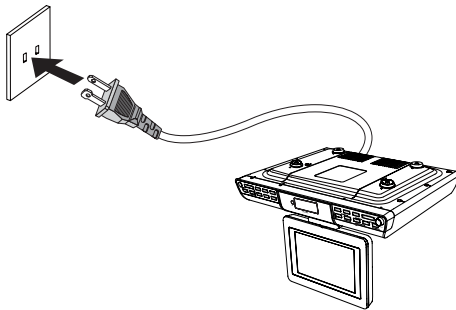
## Connect power

### ! Caution

- Risk of product damage! Ensure that the power voltage corresponds to the voltage printed on the back or underside of the apparatus.
- Risk of electric shock! When you unplug the AC power cord, always pull the plug from the socket. Never pull the cord.
- Before connecting the AC power cord, ensure you have completed all other connections.

### ☰ Note

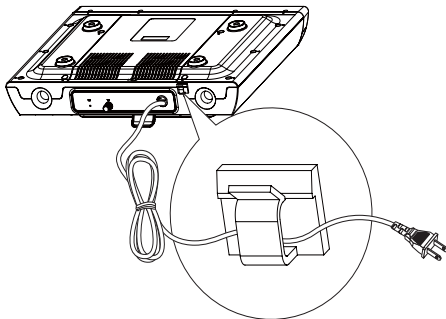
- The type plate is located on the rear of the main unit.



- 1 Connect the AC power cord to the wall outlet.

---

## Fasten the power cord into cable clip



- 1 To prevent the power cord hanging down, adjust the length of the power cord and fasten it into the cable clip.

---

## Connect TV antenna

You can connect the unit to the supplied antenna or home antenna to receive TV program.

- 1 Connect the antenna to the **ANTENNA** jack.



### Tip

- For better reception, connect the unit to home antenna.

---

## Install remote control battery



### Caution

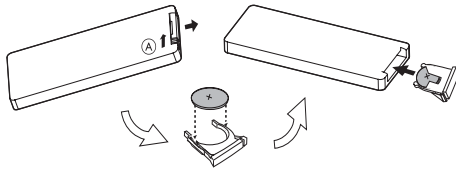
- Danger of explosion if battery is incorrectly replaced. Replace only with the same or equivalent type.
- Risk of explosion! Keep batteries away from heat, sunshine or fire. Never discard batteries in fire.
- Risk of decreased battery life! Never mix different brands or types of batteries.
- Risk of product damage! When the remote control is not used for long periods, remove the batteries.



### Note

- Batteries contain chemical substances, they should be disposed of properly.
- Perchlorate Material - special handling may apply. See [www.dtsc.ca.gov/hazardouswaste/perchlorate](http://www.dtsc.ca.gov/hazardouswaste/perchlorate).

- 1 Open the battery compartment.
- 2 Insert one CR2025 battery with correct polarity (+/-) as indicated.
- 3 Close the battery compartment.




---

## Set time

- 1 In standby mode, press and hold **CLOCK** for 2 seconds.  
↳ The hour digits begin to blink.
- 2 Press **▲/▼** or **TIMER/VOL** to set the hour.
- 3 Press **OK** or **▶** to confirm.  
↳ The minute digits begin to blink.
- 4 Press **▲/▼** or **TIMER/VOL** to set the minute.  
↳ [12 HR] begins to blink.
- 5 Press **▲/▼** or **TIMER/VOL** to select the 12/24 hour format.
- 6 Press **OK** to confirm.

---

## Turn on

- 1 Press **⏻**.  
↳ The unit switches to the last selected source.

---

## Switch to standby

- 1 Press **⏻** again to switch the unit to standby mode.  
↳ The clock (if set) appears on the display panel.

# 4 Play

---

## Watch TV



### Note

- Before you start, ensure that you have connected the antenna to the unit.
- Make sure you are in an area with sufficient signal coverage. You can check the signal coverage with the TV broadcast authority of your country or visit [www.philips.com/support](http://www.philips.com/support).

---

### Lift up TV panel

- 1 Press **PUSH** at the bottom of the set to release TV panel.
- 2 Pull down the panel.
- 3 Turn around the panel to face the screen.
- 4 Adjust the screen to a suitable angle.

---

### Setup your TV

#### For the first-time use:

- 1 Press **ATSC TV** to enter TV mode.
  - ↳ [Atsc] (Atsc) is displayed.
  - ↳ **First time installation** is displayed on the TV panel.
- 2 Press **▲/▼** to switch to an item.
- 3 Press **◀▶** to select an option.
- 4 Select **Air/Cable connecting**.
  - ↳ Auto search starts.
  - ↳ All available TV channels will be searched and stored.

#### Normally set up your TV:

- 1 During play, press **SETUP**.
- 2 Press **▲/▼** to switch to an item.
- 3 Press **◀▶** to select an option.
  - Select menu language.
  - Turn on/off caption.

- Set time zone, daylight saving time, and time format.
- Select **Air/Cable connecting**.
- **Auto scan/Manual scan**.

---

### Play options

- 1 During play, press **OPTIONS** to select play options.
- 2 Follow the on-screen instructions.

---

### Play from an external device

You can also listen to an external audio device through this unit.

- 1 Press **PUSH** at the bottom of the set to release TV panel.
- 2 Pull down the panel.
- 3 Turn around the panel to face the rear of the panel.
- 4 Open the door to get the MP3 link cable.
- 5 Connect the built-in MP3 link cable to the headphone jack on an external device.
- 6 Press **MP3 LINK** to select the MP3 link source.
  - ↳ [AUX IN] (AUX IN) is displayed for five seconds.
- 7 Start to play the device (see the device user manual).



## 5 Listen to radio



### Note

- Only FM radio reception is available on this unit.

### Tune to a radio station



### Tip

- Position the antenna as far as possible from TV, VCR or other radiation source.



### Note

- For optimal reception, fully extend and adjust the position of the antenna.

- 1 Press **RADIO** to enter the FM mode.
- 2 Press **CH +/-** to select a preset radio station.
- 3 Press **◀/▶** repeatedly until you find optimal reception.
  - ↳ The preset number for other radio stations remain unchanged.

### Program radio stations automatically



### Note

- You can program a maximum of 20 FM radio stations.

- 1 In tuner mode, press and hold **FMPROG** for 2 seconds to activate automatic program mode.
  - ↳ [AUTO] (auto) is displayed.

- ↳ All available stations are programmed in the order of waveband reception strength.
- ↳ The first programmed radio station is broadcast automatically.

### Program radio stations manually



### Note

- You can program a maximum of 20 FM radio stations.

- 1 Press **CHANNEL▲▼** or **CH +/-** to allocate a number (01 to 20).
- 2 Press **◀▶** or **TUNING◀▶** to tune frequency until you find optimal reception.
- 3 Press **FMPROG** to confirm.
  - ↳ [PRESET] (preset), the preset number, and the frequency of the preset station are displayed.
- 4 Repeat the above steps to program other stations.



### Note

- To overwrite a programmed station, store another station in its place.

### Select a preset radio station

- 1 Press **CHANNEL▼▲** or **CH +/-** to select a preset radio station.

# 6 Adjust sound

---

## Adjust the volume level

- 1 During play, press **VOL +/-** to increase/decrease the volume level.



### Note

- You can also rotate **VOL** clockwise/counter-clockwise to increase/decrease the volume level.

---

## Mute sound

- 1 During play, press **MUTE** to mute/unmute sound.

---

## Enhance bass

- 1 During play, press **DBB** to turn on or off dynamic bass enhancement.  
↳ If DBB is activated, **DBB** is displayed.


## 7 Other features

### View the alarm settings

- 1 Press **TIMER/VOL**.

### Set the kitchen timer

This unit can be used as an alarm clock.



- 1 At any operation mode, press **TIMER/VOL** for two seconds.
  - ↳ The last time setting in minute or hour and minute blinks.
- 2 Rotate the knob clockwise/counter-clockwise to choose the desired timer.
- 3 Press **TIMER/VOL** to confirm.
  - ↳ The timer is set and activated.
  - ↳  is displayed and the timer starts counting down.



#### Note

- You can set an alarm timer from 1 minute through 10 hours.

### Activate and deactivate alarm timer

- 1 In any operation mode, press **TIMER/VOL** repeatedly to activate or deactivate timer.
  - ↳ If timer is activated, the display shows .
  - ↳ If timer is deactivated,  disappears on the display.

### Stop alarm ring

- 1 When the alarm rings, press **TIMER/VOL**.
  - ↳ The alarm stops but the alarm settings remain.



#### Caution

- If you do not stop the alarm ring, the alarm will ring off and the timer starts counting up.

# 8 Product information



## Note

- Product information is subject to change without prior notice.

## Specifications

### Amplifier

Rated Output Power	2 x 2 W RMS
Frequency Response	20 -20000 Hz, -3dB
Signal to Noise Ratio	>67 dB
Total Harmonic Distortion	<1%
Aux Input (MP3 link)	0.5 V RMS 20 kohm

### Tuner

#### FM

Tuning Range	87.5 - 108 MHz
Tuning grid	100 KHz
Sensitivity	<2
- Mono, 26dB S/N Ratio	2 dBu
- Stereo, 46dB S/N Ratio	<43 dBu
Search Selectivity	>28dBf
Total Harmonic Distortion	<2%
Signal to Noise Ratio	>55 dB

### Speakers

Speaker Impedance	8 ohm
Speaker Driver	2.25"
Sensitivity	>84dB/m/W

### General information

AC power	100-240V, 50/60Hz
Operation Power Consumption	18 W
Standby Power Consumption	<2 W
Dimensions	
- Main Unit (W x H x D)	368.4 x 91 x 289.7 mm
Weight	
- With Packing	3.1 kg
- Main Unit	2.2 kg

# 9 Troubleshooting



## Warning

- Never remove the casing of this apparatus.

To keep the warranty valid, never try to repair the system yourself.

If you encounter problems when using this apparatus, check the following points before requesting service. If the problem remains unsolved, go to the Philips web site ([www.philips.com/welcome](http://www.philips.com/welcome)). When you contact Philips, ensure that the apparatus is nearby and the model number and serial number are available.

### No power

- Ensure that the AC power plug of the unit is connected properly.
- Ensure that there is power at the AC outlet.
- Ensure that the batteries are inserted correctly.

### No sound

- Adjust the volume.

### Poor radio reception

- Increase the distance between the unit and your TV or VCR.
- Fully extend the FM antenna.

### TV reception with Black and White picture or no sound

- Ensure that you set the TV system and TV sound correctly according to local TV broadcast specifications. If you do not know the information, contact local TV broadcast authorities for help.

### Timer does not work

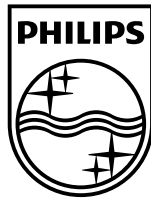
- Set the clock correctly.
- Switch on the timer.

### Clock/timer setting erased

- Power has been interrupted or the power plug has been disconnected.
- Reset the clock/timer.

Philips Consumer Lifestyle  
A division of Philips Electronics North America Corporation  
P.O. Box 10313  
Stamford, CT 06904  
Phone: 1-888-PHILIPS (744-5477)

Meet Philips at the Internet  
<http://www.philips.com/welcome>



© 2010 Koninklijke Philips Electronics N.V.  
All rights reserved.  
Printed in China  
AJL750\_37\_UM\_V2.0



## Free Manuals Download Website

<http://myh66.com>

<http://usermanuals.us>

<http://www.somanuals.com>

<http://www.4manuals.cc>

<http://www.manual-lib.com>

<http://www.404manual.com>

<http://www.luxmanual.com>

<http://aubethermostatmanual.com>

Golf course search by state

<http://golfingnear.com>

Email search by domain

<http://emailbydomain.com>

Auto manuals search

<http://auto.somanuals.com>

TV manuals search

<http://tv.somanuals.com>