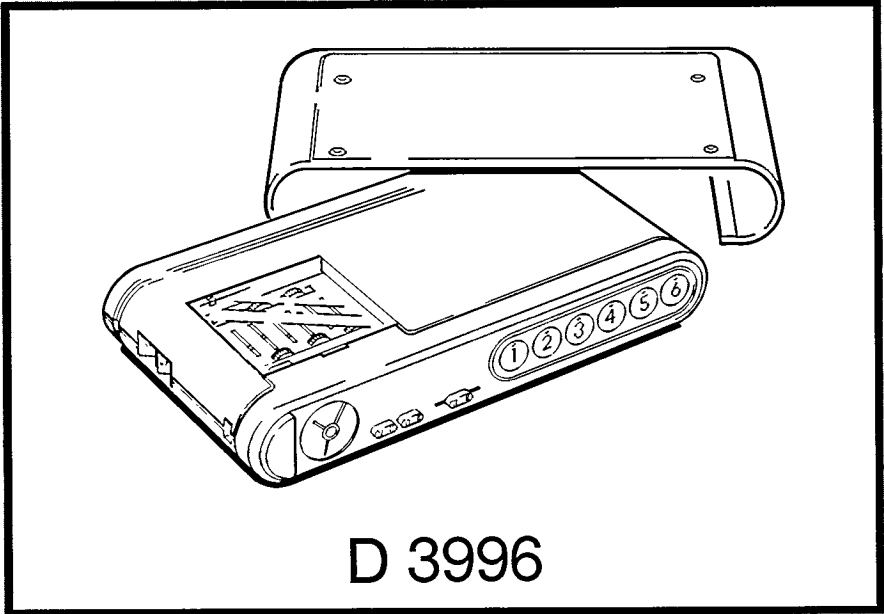




CONSUMER ELECTRONICS

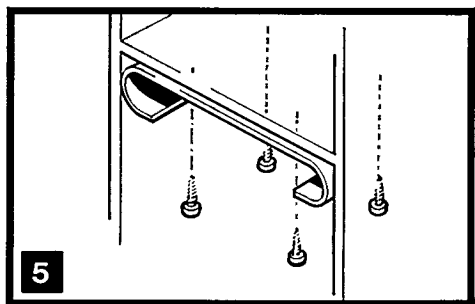
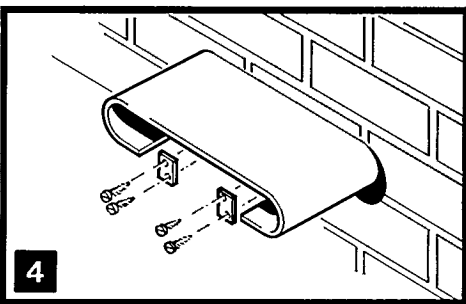
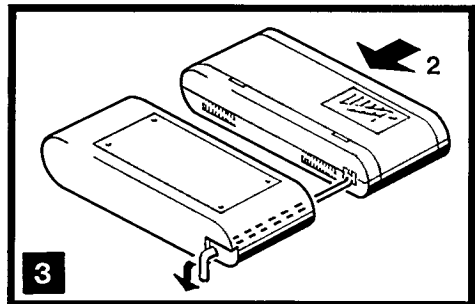
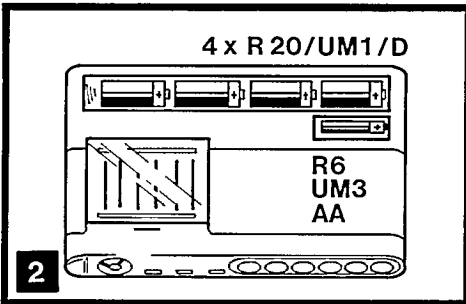
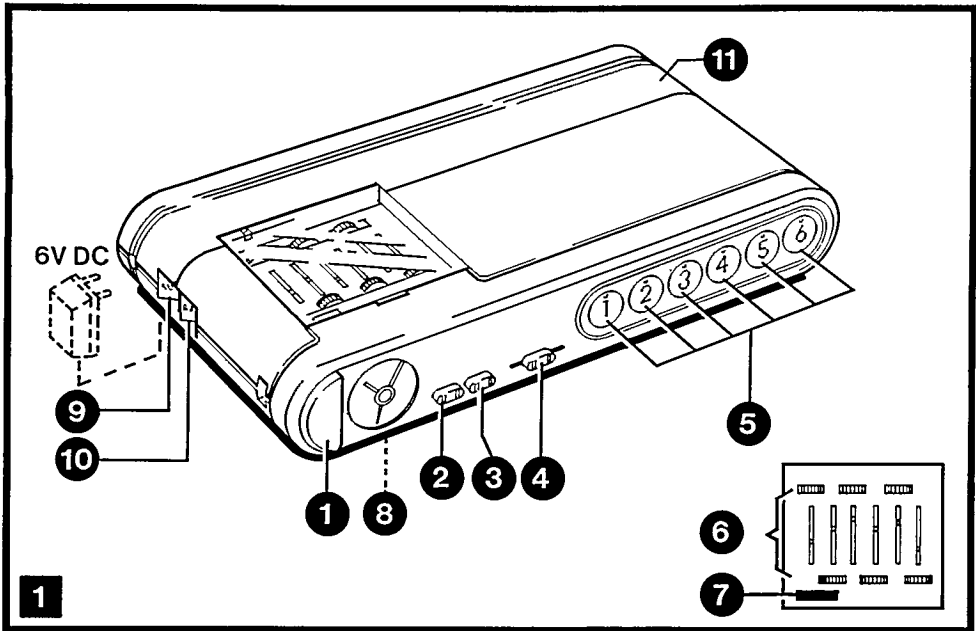
**PHILIPS**



D 3996



Space Saving Radio Clock



# English

---

## CONTROLS

---

- ① POWER - radio on/off
- ② ALARM - alarm on/off
- ③ TONE - sound
- ④ VOLUME - sound level
- ⑤ PRESET buttons - to select pre-selected stations
- ⑥ TUNING buttons with tuning dials - to set pre-selected stations
- ⑦ MODE switch - to set correct time and alarm time
- ⑧ CLOCK setting knob - to set hands of clock
- ⑨ connection for 6 V mains adapter
- ⑩ connection for loudspeaker
- ⑪ battery compartment

This product complies with the radio interference requirements of the European Community.

The type plate is in the battery compartment.

## MOUNTING

---

The tray of the appliance can be mounted on a wall or underneath a shelf. The mounting material required for this is supplied. Once the tray is secured, slide the radio clock into it.

### On a wall (see fig. 4)

- Make holes with a screwdriver through the mounting holes located on the back of the tray.
- Screw the tray to the wall.

### Under a shelf (see fig. 5)

- Make holes with a screwdriver through the mounting holes on the top of the tray.
- Screw the tray to the shelf.

### To attach aerial (see fig. 3)

- Clamp the excess wire from the aerial under the screw on the back of the appliance.
- After you have mounted the tray, take the wire through the hole on the back of the tray. A space has been left here, so that the wire cannot be pressed against the wall.

# POWER SUPPLY

---

## MAINS ADAPTER

---

The radio can be connected to the mains via the enclosed 6 V DC mains adapter. This adapter supplies 6 V direct current with the negative terminal '-' to the central pin.

- Check that the operating voltage of the adapter is the same as the local mains voltage.
- Insert the plug of the mains adapter into the 6 V DC connection socket ⑨.
- Connect the adapter to the wall socket.
- In changing over from mains supply to battery supply, the plug must be withdrawn from 6 V DC socket ⑨, otherwise the battery supply will remain disconnected.

### *Important note for users in U.K.:*

When fitting a mains plug to the mains lead proceed as follows: The wires in the mains lead are coloured in accordance with the following code: Blue = Neutral, Brown = Live.

These colours may not correspond with the colour markings identifying the terminals in your plug, so proceed as follows: Connect the Brown wire to the terminal marked L or coloured Red. Connect the Blue wire to the terminal marked N or coloured Black. No connection is necessary to the earth terminal.

**Note:** This apparatus must be protected by a 3 Amp Fuse if a 13 Amp plug is used or, if any other type of plug is used, by a 5 Amp Fuse either in the plug or adapter or at the distribution board. If in doubt consult a qualified electrician.

**Warning:** When this unit is not in use and also before attempting internal examination, remove the mains plug from the wall socket.

## BATTERIES

---

One battery of type R6, UM3 or AA is required for the clock. The radio can operate on 4 batteries of type R20, UM1 or D.

- Insert the batteries in compartment ⑪ (see fig. 2).

### Recommendation

Replace the batteries at least once a year. If you will not be using the appliance for any length of time, it is also advisable to remove the batteries from the appliance, to avoid the possibility of leakage and consequently damage to the appliance.

# OPERATION

---

## RADIO

---

- Press POWER button ① and the radio comes on.
- Adjust the sound level using VOLUME control ④. An external loudspeaker with an impedance of 4-8 ohms and with a  $\varnothing$  3,5 mm plug can be connected to input ⑩.

### Pre-selected stations

You can tune to 6 stations with the radio. These are the pre-selected stations which are programmed as follows:

- Take the appliance out of the tray and remove the flap on top of the radio.
- Press one of the PRESET buttons ⑤ on the front of the appliance. You may, for example, press button 1. The lamp in this button then lights up.
- Turn the TUNING button ⑥ which relates to the PRESET button, in this case button 1, and search for the required station.

You have now programmed PRESET button 1.

- Program the other pre-selected stations in the same way.
- Replace the flap on the compartment and slide the appliance back into the tray.

If you now wish to listen to one of your pre-selected stations, you only have to press the appropriate PRESET button.

### Aerial

This appliance has a separate wire aerial. For attachment of this aerial, see section on Mounting. It may be necessary to adjust the aerial slightly in order to obtain optimum reception.

## CLOCK

---

### To set the time

- Keep MODE switch ⑦ depressed in the TIME position.
- Set the exact time using CLOCK setting knob ⑧.
- Release MODE switch ⑦ and the clock starts. MODE switch ⑦ springs back automatically to ALARM.

## ALARM

---

### Alarm on

- Turn CLOCK setting knob ⑧ in anticlockwise direction and set the red hand to the alarm time required.
  - Set ALARM switch ② to ON. The buzzer sounds and the radio comes on at the alarm time set.
- Note:** The buzzer sounds like a beep.

### Alarm off

- Set ALARM switch ② to OFF.

If you forget to switch the alarm off, then the alarm call will always stop automatically after one hour.

## MAINTENANCE

---

- Fingerprints, dust and dirt on the appliance should be removed with a clean, damp cloth or chamois leather. Do not use products containing abrasives or solvents for cleaning (spirit, thinner, alcohol etc.), as these may damage the casing.
- Rain, damp and excessive heat are bad for the appliance. The radio should therefore never be left for long periods in direct sunlight or near heating equipment.
- Do not mount the appliance above a tap, cooking ring, stove or near an extractor hood.





## Free Manuals Download Website

<http://myh66.com>

<http://usermanuals.us>

<http://www.somanuals.com>

<http://www.4manuals.cc>

<http://www.manual-lib.com>

<http://www.404manual.com>

<http://www.luxmanual.com>

<http://aubethermostatmanual.com>

Golf course search by state

<http://golfingnear.com>

Email search by domain

<http://emailbydomain.com>

Auto manuals search

<http://auto.somanuals.com>

TV manuals search

<http://tv.somanuals.com>