

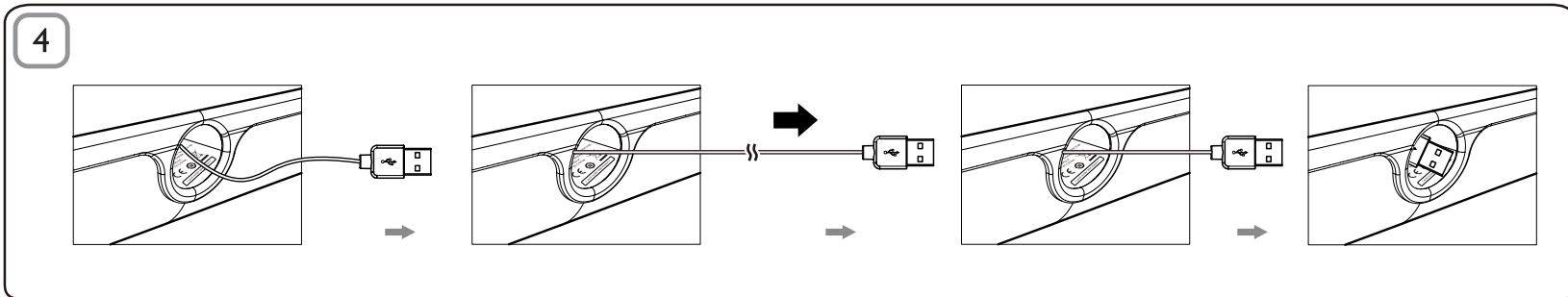
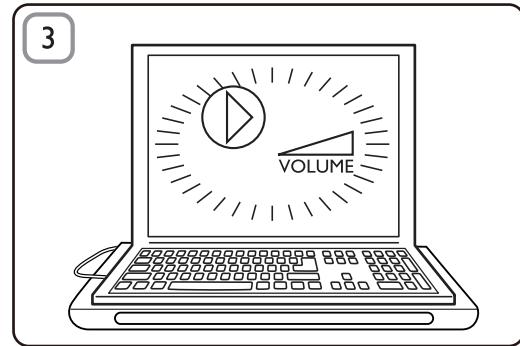
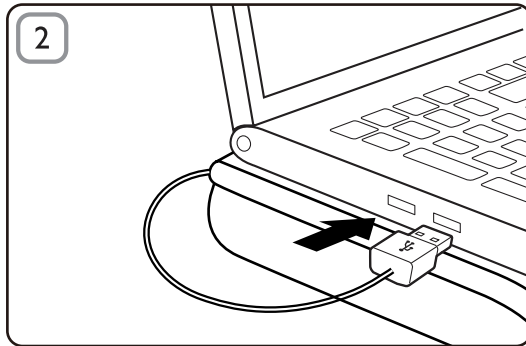
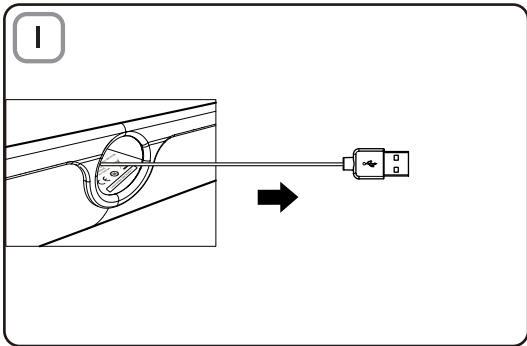
Register your product and get support at
www.philips.com/welcome

Philips
notebook CushionSpeaker
SDC5100



EN

User manual



Disposal

Your product is designed and manufactured with high quality materials and components, which can be recycled and reused. Please inform yourself about the local separate collection system for electrical and electronic products, including those marked by the crossed-out wheely bin symbol. Please act according to your local rules and do not dispose of your old products with your normal household waste.



Cushion Speaker

NOTE: 1. Before you install the cushion speaker, ensure that a working USB controller is listed in **Windows Device Manager** on your computer. 2. Ensure that the cushion speaker is installed properly before using. 3. Plug the cushion speaker into a USB port on your computer or a self-powered (with DC supply) USB hub. 4. Never unplug the USB plug while the cushion speaker is playing sound.

System Requirements:

PC	Mac
Windows® 98SE, Windows® ME, Windows® 2000, Windows® XP, or Windows® Vista™	Mac OS9/OS® X, or later
Certified USB controller	Built-in USB connection

Installation:

- 1 Pull out the retractable USB cable (Fig. 1) and insert the USB connector into your notebook computer (Fig. 2).
- 2 Switch on the sound and audio function and adjust the volume by using the computer application or multimedia player software (Fig. 3).
- 3 After use, exit the multimedia player software.
- 4 Pull out the USB cable to the end and release it.
 - ↳ The USB cable retracts into the cushion speaker (Fig. 4).

If the cushion speaker cannot be detected by your notebook computer, perform the following steps:

On PC	On Mac
<ol style="list-style-type: none">1. Click Control Panel.2. Double click the Sounds and Audio Devices icon.3. In Sounds and Audio Devices Properties, select the Audio tab.4. Under Sound playback, select USB Sound Device.	<ol style="list-style-type: none">1. Click System Preferences.2. Click the Sound icon.3. Open Output and select USB Sound Device.4. Play music by multimedia software.

FCC - Notice of compliance

This device complies with Part 15 of the FCC Rules. Operation is subject to the following two conditions:

1. this device may not cause harmful interference, and
2. this device must accept any interference received, including interference that may cause undesired operation.

Note:

This equipment has been tested and found to comply with the limits for a Class B digital device, pursuant to part 15 of the FCC Rules. These limits are designed to provide reasonable protection against harmful interference in a residential installation. This equipment generates, uses, and can radiate radio frequency energy and, if not installed and used in accordance with the instruction manual, may cause harmful interference to radio communications. However, there is no guarantee that interference will not occur in a particular installation. If this equipment does cause harmful interference to radio or television reception, which can be determined by turning the equipment off and on, the user is encouraged to try to correct the interference by one or more of the following measures:

- Relocate the receiving antenna.
- Increase the separation between the equipment and receiver.
- Connect the equipment into an outlet on a circuit different from that to which the receiver is connected.
- Consult the dealer or an experienced radio/TV technician for help.

FCC - Remarques sur la conformité

L'appareil répond aux normes FCC, Part 15.

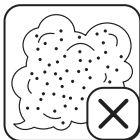
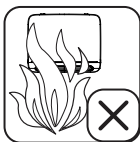
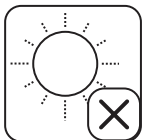
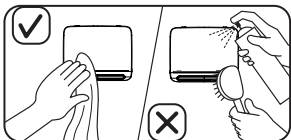
Fonctionnement soumis aux deux conditions suivantes:

1. Cet appareil ne doit pas provoquer d'interférences nuisibles, et
2. Cet appareil doit accepter toute interférence reçue, y compris les interférences susceptibles de provoquer un fonctionnement peu satisfaisant.

Remarque:

Cet équipement a été testé et a été certifié conforme aux limites imposées pour un appareil numérique de Classe B, conformément à la partie 15 des règlements FCC. Ces limites sont définies aux fins d'assurer une protection raisonnable contre les interférences nuisibles dans une installation résidentielle. Cet équipement génère, utilise et émet des fréquences radio qui, en cas d'une mauvaise installation ou d'une utilisation non-conforme aux instructions de ce manuel d'utilisation peuvent causer des interférences nuisibles aux communications radio. Il n'y a toutefois aucune garantie que des interférences nuisibles ne se produiront pas dans une installation donnée. Si cet équipement cause des interférences nuisibles avec votre poste radio ou de télévision, ce que vous pouvez déterminer en éteignant et en rallumant votre équipement, il est conseillé à l'utilisateur d'essayer de pallier à ces interférences nuisibles en prenant l'une ou l'autre des mesures suivantes:

- Changez la position de l'antenne de réception.
- Augmentez la séparation entre l'équipement et le récepteur.
- Branchez l'équipement sur une source d'alimentation différente de celle sur laquelle le récepteur est branché.
- Consultez votre distributeur ou un technicien qualifié en la matière pour assistance.



www.philips.com/welcome
Data subject to change without notice
Printed in China



Free Manuals Download Website

<http://myh66.com>

<http://usermanuals.us>

<http://www.somanuals.com>

<http://www.4manuals.cc>

<http://www.manual-lib.com>

<http://www.404manual.com>

<http://www.luxmanual.com>

<http://aubethermostatmanual.com>

Golf course search by state

<http://golfingnear.com>

Email search by domain

<http://emailbydomain.com>

Auto manuals search

<http://auto.somanuals.com>

TV manuals search

<http://tv.somanuals.com>