

Internet Terminal

MAT960

Owner's Manual

Important!
Return your Warranty Registration
Card within 10 days. See why inside.



PHILIPS **MAGNAVOX**



READ BEFORE OPERATING EQUIPMENT SAVE THESE INSTRUCTIONS

This product was designed and manufactured to meet strict quality and safety standards. There are, however, some installation and operation precautions which you should be particularly aware of.

1. Read Instructions - All the safety and operating instructions should be read and understood before the appliance is operated.
2. Retain Instructions - The safety and operating instructions should be retained for future reference.
3. Heed Warnings - All warnings on the appliance and in the operating instructions should be adhered to.
4. Follow Instructions - All operating and use instructions should be followed.
5. Water and Moisture - The appliance should not be used near water - for example, near a bathtub, washbowl, kitchen sink, laundry tub, in a wet basement or near a swimming pool, etc.
6. Carts and Stands - The appliance should be used only with a cart or stand that is recommended by the manufacturer.



6A. An appliance and cart combination should be moved with care. Quick stops, excessive force, and uneven surfaces may cause the appliance and cart combination to overturn.

7. Wall or Ceiling Mounting - The appliance should be mounted to a wall or ceiling only as recommended by the manufacturer.
8. Ventilation - The appliance should be situated so that its location or position does not interfere with its proper ventilation. For example, the appliance should not be situated on a bed, sofa, rug, or similar surface that may block the ventilation openings; or, placed in a built-in installation, such as a bookcase or cabinet that may impede the flow of air through the ventilation openings.
9. Heat - The appliance should be situated away from heat sources such as radiators, heat registers, stoves, or other appliances (including amplifiers) that produce heat.
10. Power-Cord Protection - Power supply cords should be routed so that they are not likely to be walked on or pinched by items placed upon or against them, paying particular attention to cords and plugs, convenience receptacles, and the point where they exit from the appliance.
11. Non-use Periods - The power cord of the appliance should be unplugged from the outlet when left unused for a long period of time.
12. Object and Liquid Entry - Care should be taken so that objects do not fall and liquids are not spilled into the enclosure through openings.
13. Damage Requiring Service - The appliance should be serviced by qualified service personnel when:
 - A. The power supply cord or the plug has been damaged; or
 - B. Objects have fallen, or liquid has been spilled into the appliance; or
 - C. The appliance has been exposed to rain; or
 - D. The appliance does not appear to operate normally or exhibits a marked change in performance; or
 - E. The appliance has been dropped, or the enclosure damaged.
14. Servicing - The user should not attempt to service the appliance beyond that described in the operating instructions. All other servicing should be referred to qualified service personnel.



This symbol is to alert you to important operating or servicing instructions that may appear in your owner's manual. When using your telephone equipment, always follow these basic safety precautions in order to reduce the risk of fire, electric shock, and injury to persons.

15. Unplug this product from the wall outlet before cleaning. Do not use liquid cleaners or aerosol cleaners; use a damp cloth for cleaning. If the product comes in contact with any liquid, unplug the phone line and the power adapter and let the unit dry thoroughly before plugging it back in.
16. This product should be operated only from the type of power source indicated on the marking label or in the owner's manual. If you are not sure of the type of power supply to your home, consult your dealer or local power company.



17. Do not overload wall outlets and extension cords, as this can result in the risk of fire or electric shock.
18. Never push objects of any kind into this product through cabinet slots, as they may touch dangerous voltage points or short out parts, resulting in the risk of fire or electric shock. Never spill liquid of any kind on the product.
19. To reduce the risk of electric shock, do not disassemble this product, but take it to a qualified serviceman when service or repair work is required. Opening or removing covers may expose you to dangerous voltage or other risks. Incorrect reassembly can cause electric shock when this product is subsequently used.
20. Unplug this product from the wall outlet and refer servicing to qualified service personnel under the following conditions: a) when the power supply cord or plug is damaged or frayed; b) if liquid has spilled into the product; c) if the product has been exposed to rain or water; d) if the product does not operate normally when you follow the operating instructions (adjust only those controls that are discussed in the owner's manual, as improper adjustment of other controls may result in damage, often requiring extensive work by a qualified technician to restore the product to normal performance); e) if the product has been dropped or the cabinet has been damaged; f) if the product exhibits a distinct change in performance.
21. Avoid using a telephone (other than a cordless type) during an electrical storm. There may be a remote risk of electric shock from lightning.
22. Do not use a telephone in the vicinity of a gas leak. If you suspect a gas leak, report it immediately, but use a telephone away from the area where gas is leaking. With a cordless phone, also make sure that the phone base is away from the gas leak.
23. Grounding or Polarization - This product may be equipped with a polarized alternating current line plug (a plug having one blade wider than the other). This plug will fit into the power outlet only one way. This is a safety feature. If you are unable to insert the plug fully into the outlet, try reversing the plug. If the plug still fails to fit, contact your electrician to replace the obsolete outlet. Do not defeat the safety purpose of the grounding-type plug.



Canadian Ringer Equivalence Number Notice

The Canadian Department of Communications label identifies certified equipment. This certification means that the equipment meets certain telecommunications network protective, operational, and safety requirements. The department does not guarantee the equipment will operate to the user's satisfaction.

Before installing this equipment, users should ensure that it is permissible to be connected to the facilities of the local telecommunications company. The equipment must be installed using an acceptable method of connection. In some cases, the company's inside wiring associated with a single line individual service may be extended by means of a certified connector assembly (telephone extension cord). The customer should be aware that compliance with the above condition may not prevent degradation of service in some situations.

Repairs to some certified equipment should be made by an authorized maintenance facility designated by the supplier. Any repairs or alterations made by the user to this equipment, or any equipment malfunctions, may give the telecommunications company cause to request the user to disconnect the equipment.

Users should ensure for their own protection that the ground connections of the power utility, telephone lines, and internal metallic water pipe system are connected together. This precaution may be important particularly in rural areas.

CAUTION: Users should not attempt to make such connections themselves but should contact the appropriate electrical inspection authority or electrician as appropriate.

The RINGER EQUIVALENCE NUMBER (REN) assigned to each terminal device denotes the percentage of the total load to be connected to a telephone loop which is used by the device to prevent overloading. The termination on a loop may consist of any combination of devices subject only to the requirement that the total of the REN of all devices does not exceed five.

The REN for the MAT960 is 0.9B.



FCC Rules

This equipment complies with Part 68 of the FCC rules. On the bottom of this equipment is a label that contains, among other information, the FCC Registration Number and Ringer Equivalence Number (REN) for this equipment. You must, upon request, provide this information to your telephone company. The REN is useful to determine the quantity of devices you may connect to your telephone line and still have all of those devices ring when your telephone number is called. In most, but not all areas, the sum of the RENs of all devices connected to one line should not exceed five. To be certain of the number of devices you may connect to your line as determined by the REN, you should contact your local telephone company to determine the maximum REN for your calling area.

If your telephone equipment causes harm to the telephone network, the telephone company may discontinue your service temporarily. If possible, they will notify you in advance. But, if advance notice is not practical, you will be notified as soon as possible. You will be informed of your right to file a complaint with the FCC.

Your telephone company may make changes in its facilities, equipment, operations or procedures that could affect the proper functioning of your equipment. If they do, you will be notified in advance to give you an opportunity to maintain uninterrupted telephone service.

If you experience trouble with this telephone equipment, please contact Philips Consumer Electronics Company repair facility at Philips Service Solutions Group, P.O. Box 555, Old Andrew Johnson Highway, Jefferson City, TN 37760, for more information on obtaining service or repairs. The telephone company may ask that you disconnect this equipment from the network until the problem has been corrected or until you are sure that the equipment is not malfunctioning.

This equipment may not be used on coin service provided by the telephone company. Connection to party lines is subject to state tariffs.

This device is equipped with an RJ11 connector.

Emissions Notice

Federal Communications Commission (FCC) Statement

The Philips Magnavox MAT960 has been tested and found to comply with the limits for a Class B digital device, pursuant to Part 15 of the FCC Rules. Operation is subject to the following two conditions: (1) this device may not cause harmful interference, and (2) this device must accept any interference received, including interference that may cause undesired operation.

The FCC Class B limits are designed to provide reasonable protection against harmful interference in a residential installation. This equipment generates, uses, and can radiate radio frequency energy and, if not installed and used in accordance with the instructions, may cause harmful interference to radio communications. However, there is no guarantee that interference will not occur in a particular installation. If this equipment does cause harmful interference to radio or television reception, which can be determined by turning the equipment off and on, the user is encouraged to try to correct the interference by one or more of the following measures:

- Reorient or relocate the receiving antenna.
- Increase the separation between the equipment and receiver.
- Connect the equipment into an outlet on a circuit different from that to which the receiver is connected.
- Consult your point of purchase or service representative for additional suggestions.

The manufacturer is not responsible for any radio or television interference caused by the use of cables other than those recommended or by unauthorized changes or modifications to this equipment. Unauthorized changes or modifications could void the user's authority to operate this equipment.



Hello!

Thanks for purchasing the Philips Magnavox Internet Terminal. You need to become a subscriber to the WebTV™ Network to access the Internet with this product. Becoming a subscriber is an easy process once you've connected your Internet Terminal and learned the basic remote control functions described in the following pages.

This manual takes you through easy-to-follow instructions so that you can ultimately enjoy the Internet.

WebTV Features

- ◆ Explore™ - A directory of the most useful and exciting pages on the Internet
- ◆ E-mail (Electronic messages) - Exchange messages with members of any Internet service
- ◆ Around Town™ - A catalogue of services and pages on the Internet that are specific to your geographic region
- ◆ Search - An easy way to locate information on specific topics of interest
- ◆ Favorites - Provides instant access to your favorite pages on the Internet
- ◆ Multiple accounts - Lets members of your household have private mailboxes and Favorites lists
- ◆ Content filtering - Allows you to restrict access to e-mail and pages on the Internet that contain mature material

Table of Contents

Safety Information	3-4
Canadian Ringer Equivalence	
Number Notice	5
Federal Communications Commission Information	6
Introduction	7
Getting Started	8
Control Panels	9
Remote Control	10
General Information	11
Connections	12-15
On-Screen Keyboard	16-17
Signing Up for WebTV	18-20
Connecting to the Home Page	21
Explore	22
Instructions	22
Search	23
Mail	24-27
Favorites	28
Setup	29-31
Options Panel	32-34
Advanced Options	35
Using a Computer Keyboard	36
Specifications	37
Limited Warranty	38
Index	39
Accessories	40

WARNING: Any changes or modifications of this equipment not expressly approved by Philips Consumer Electronics Company could void the user's authority to operate this equipment. WebTV™ and Around Town™ are trademarks of WebTV Networks, Inc.

Copyright 1998 by Philips Consumer Electronics Company and WebTV Networks, Inc.



NOTES

◆ Before doing anything else, record the model and serial numbers in the spaces provided on page two. These numbers will help us assist you if you ever call for help.



Package Contents

Before you connect your Internet Terminal, make sure you have received all of the following items:

- ◆ Remote control
- ◆ Two AAA batteries
- ◆ AC power cord
- ◆ Phone cable
- ◆ Video cable (yellow)
- ◆ Audio cables (red and white)
- ◆ Telephone-splitter (T-splitter)
- ◆ Wireless Keyboard

Additional accessories are available. See page 40 for details.

Battery Installation

1

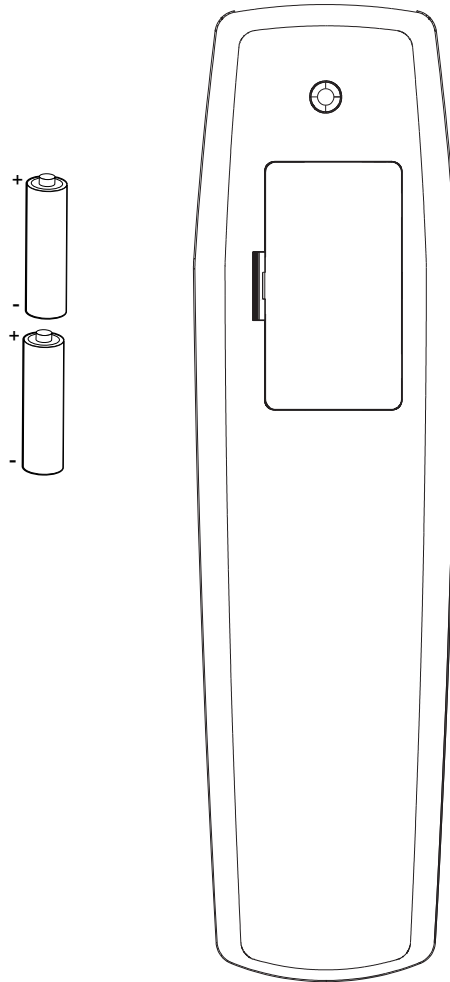
Remove the battery compartment cover by pressing in the tab, then lifting the cover.

2

Insert two batteries as indicated inside the battery compartment.

3

Replace the battery compartment cover.



**AC INPUT jack**

Connect the AC (120V) power cord here. Plug the other end into the wall outlet. (Connect the AC power cord last.)

TEL LINE jack

Connect one end of a telephone cable to this jack. Connect the other end to the wall telephone jack.

RESET Button

Press this button to reset the Internet Terminal.

KEYBOARD jack

You may connect a personal computer keyboard with a PS/2 (6-pin connector) to the Internet Terminal. See page 36 for details.

S-VIDEO OUT jack

Use an S-VIDEO cable (not supplied) to connect the unit to the S-VIDEO IN jack on your TV.

AUDIO (right and left) OUT jacks

Use audio cables to connect the Internet Terminal to the AUDIO IN jacks on your TV.

RFU jack

Connect an RFU adapter (not supplied) here when you connect the Internet Terminal to a TV without Audio/Video jacks.

VIDEO OUT jack

Use a video cable to connect the Internet Terminal to the VIDEO IN jack on your TV.

WebTV port (on the side of the unit)

This port can be used for optional accessories that will be introduced in the future. The door must be closed for WebTV to operate. Additional accessories may be required.

Infrared sensor

Receives the information from the remote control so that you can operate your Internet Terminal from a distance. You must point the remote control at the Internet Terminal, not the TV.

POWER indicator

Indicates the Internet Terminal power is on.

CONNECTED indicator

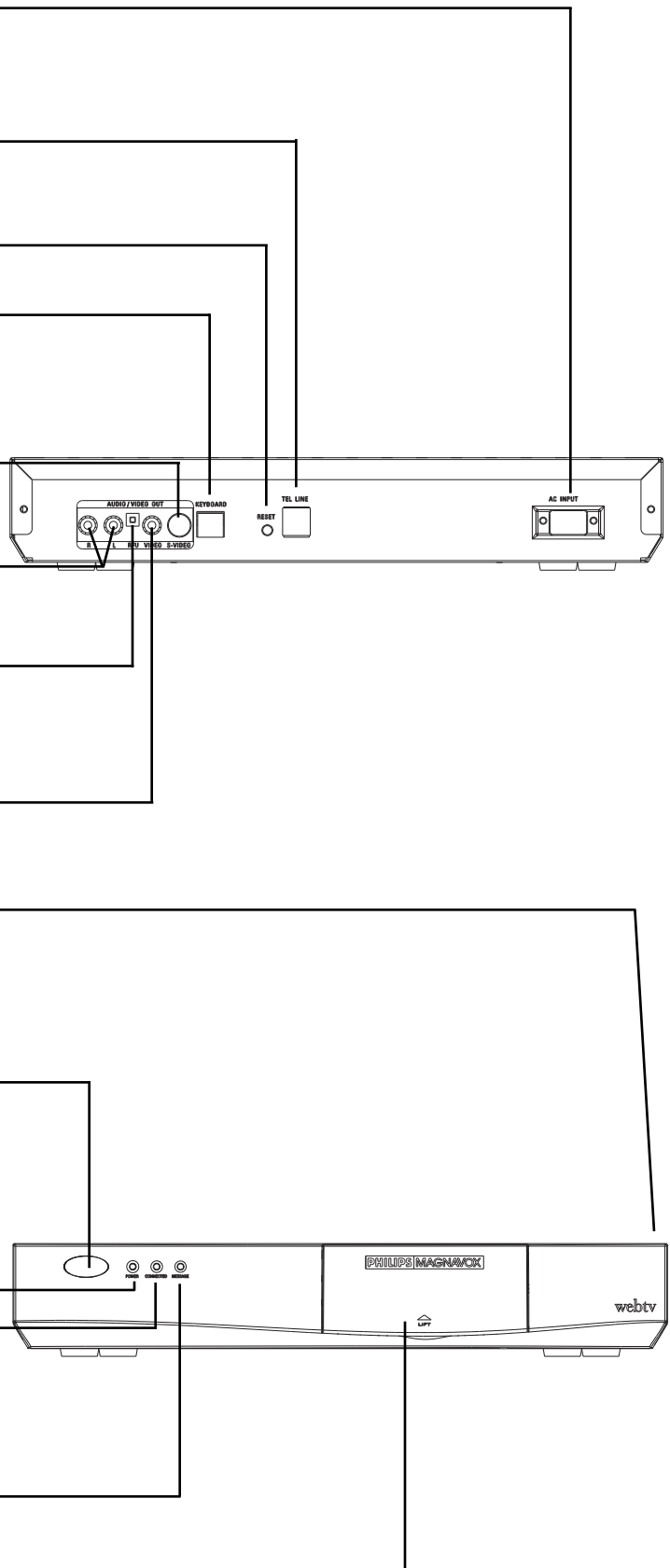
This indicator flashes when the Internet Terminal is connecting to WebTV. It remains lit while the unit is in use. It also may flash when you try a different feature or move among sites.

MESSAGE indicator

Indicates that you have a new e-mail message.

Vertical Sliding Door

Allows you to use Smart Card technology when it becomes available. Accessories may be required.



10

Remote Control



BACK Button

Displays the last page viewed, or hides the on-screen keyboard.

SCROLL (Up/Down) Buttons

Moves the page up or down when the page is too long to be displayed on one screen.

GO Button

Activates a highlighted link or command; displays the on-screen keyboard; displays a moveable arrow when the currently displayed page contains an image map.

Arrow Buttons

Moves the yellow highlight box to a different command or activity on the screen; selects different keys when the on-screen keyboard is displayed.

HOME Button

Displays the WebTV Home Page.

OPTIONS Button

Displays the OPTIONS panel.

RECENT Button

Displays a panel that contains miniature versions of the most recent pages you've visited.

SEARCH Button

Takes you directly to the Search page.

FAVORITES Button

Takes you directly to your Favorites list.

TV/WEB Button

Switches between WebTV and regular broadcast TV when you are connected to a TV using the RFU adapter.

POWER Button

Turns the Internet Terminal on and connects to WebTV. Also disconnects from WebTV and turns off the Internet Terminal.

◆ Areas on a page that can be highlighted are called **links**, because they link you to another page. Links can be words, pictures, icons, or boxes. WebTV finds each link on a page for you when you press the Arrow buttons on the remote. To activate a link, use the Arrow buttons to highlight a link. Press the GO button.

In some instances, the highlight might surround a large area of the page or the entire page. When this happens, an arrow will appear in the lower right corner of the highlight to signify that this is an **image map**.

To activate a link on an image map, press the GO button. Another arrow will appear. Use the Arrow buttons on the remote to move the arrow to the link you want. Press the GO button to access the link.

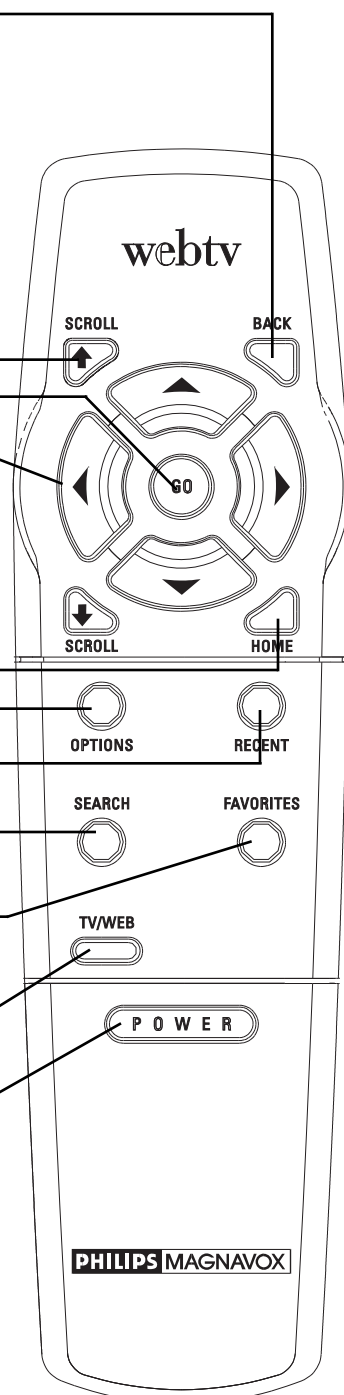
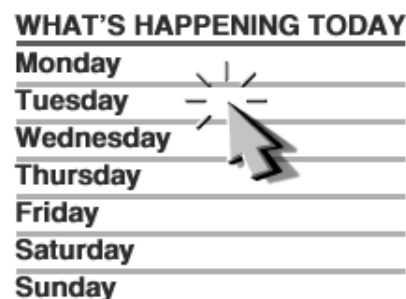


Image map





The Title Bar

Any time you leave the Home Page, WebTV displays a Title Bar across the bottom of your screen.

Example of Title Bar information



Page Title

Displays the title of the page currently on your screen.

Indicator Arrows

The indicator arrows are green when the currently displayed page is longer than your screen. Green arrows indicate the direction or directions in which more of the page can be viewed. Press the SCROLL buttons on the remote to view more of the page.

When the down arrow is yellow, it indicates that the page is longer than your screen, but WebTV has not finished loading the page into the system. The yellow arrow will turn green when the page is loaded completely.

WebTV Connection Indicator

The connection indicator is green whenever you are connected to the WebTV Network. When the indicator is moving, it tells you that WebTV is searching the Internet for something you have requested.

The indicator becomes a straight red line when:

- ◆ You receive a telephone call (if you have Call Waiting).
- ◆ You use the HANG UP option. (See ADVANCED OPTIONS on page 35.)



NOTES

◆ To keep your phone line free, your Internet Terminal automatically disconnects from the WebTV Network if you do not use the remote control for several minutes. This keeps your phone line free, so you don't have to wonder if you are disconnected from the WebTV Network. To reconnect, press the GO button.

12

Connections



Connecting your System

Before you can connect to the WebTV Network, you must connect your Internet Terminal to each of the following:

- ◆ Your TV (either directly or through your VCR)
- ◆ A telephone line
- ◆ And an AC power outlet.

The type of connection you choose depends on whether your TV:

- ◆ Has S-VIDEO, RCA-type A/V (audio/video), or RFU coaxial jacks
- ◆ Or is connected to a VCR.

An S-VIDEO connection provides the best picture quality of all the connection options. For optimum audio performance, consider integrating the Internet Terminal into your home entertainment system.

Telephone Line Connection Options

If possible, connect your Internet Terminal to a telephone jack that isn't connected to a telephone. If you have only one telephone jack, use the T-splitter to share the line. This will enable you to keep both the Internet Terminal and your telephone plugged in at the same time. Plug the T-splitter into the wall telephone jack.

If you don't have Call Waiting service for your phone line, a person trying to call you while you're connected to WebTV gets a busy signal.

If you have Call Waiting, see Select Dialing Options on page 31. If you activate Call Waiting and you receive a telephone call, your Internet Terminal temporarily disconnects from the WebTV Network. When this happens, your telephone will ring, and you can take the call the way you normally do. To reconnect to the WebTV Network, press the GO button on the remote. WebTV reconnects you to the page you were visiting when the call came in.

For information on disconnecting from the WebTV Network to make a telephone call, see Advanced Options/Hang Up on page 35.

If the telephones in your house are generally busy, you might consider using a separate, or dedicated, telephone line for the WebTV Network. Contact your local phone company to order a separate phone line.



Connecting to a TV with an S-VIDEO jack

This connection will provide the best picture quality.

1

Connect the AUDIO R(ight) and L(ef)t jacks on the Internet Terminal to your TV's AUDIO IN jacks, using the supplied audio cables.

Do not connect the VIDEO cable (yellow) to the VIDEO OUT jack.

2

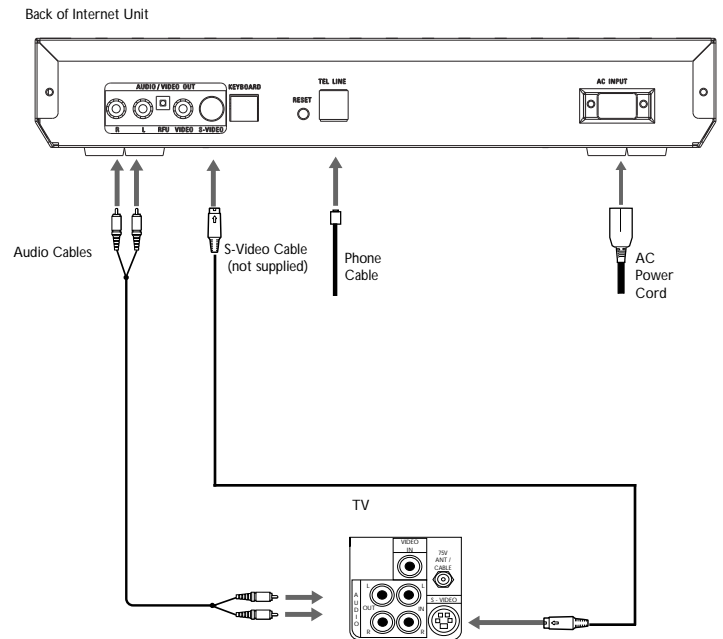
Use an S-VIDEO cable (not supplied) to connect the S-VIDEO OUT jack on your Internet Terminal to the S-VIDEO IN jack on your TV. (An S-VIDEO cable is available from Philips Service Solutions Group or your local dealer. See page 40 for details.)

3

Connect one end of the telephone cable to the Internet Terminal's TEL LINE jack. Connect the other end to your home's telephone outlet.

4

Connect one end of the AC power cord to the Internet Terminal's AC INPUT jack. Connect the other end to an AC outlet.



NOTES

◆ Check that your local AC voltage corresponds to the voltage indicated on the AC adapter (120V) before connecting the unit to AC power. If it does not, consult your dealer.

◆ If you choose the S-VIDEO setup, use the remote control that came with your TV to set the video input, when viewing WebTV, to S-VIDEO IN.



Connecting to a TV without Audio/Video jacks

If your TV does not have Audio/Video jacks, you must use an RFU adapter (not supplied) to connect the Internet Terminal to your TV.

1

Set the channel switch on the RFU adapter to VHF channel 3 or 4, whichever is not used or least used in your area.

2

Connect the RFU adapter to the VIDEO and AUDIO OUT jacks on the Internet Terminal.

3

Use a RF coaxial cable to connect the ANTENNA OUT jack on the adapter to the ANTENNA IN jack on the back of your TV.

You may need to disconnect the antenna/cable from your TV to make this connection. Connect the antenna/cable to the ANTENNA IN jack on the RFU adapter.

4

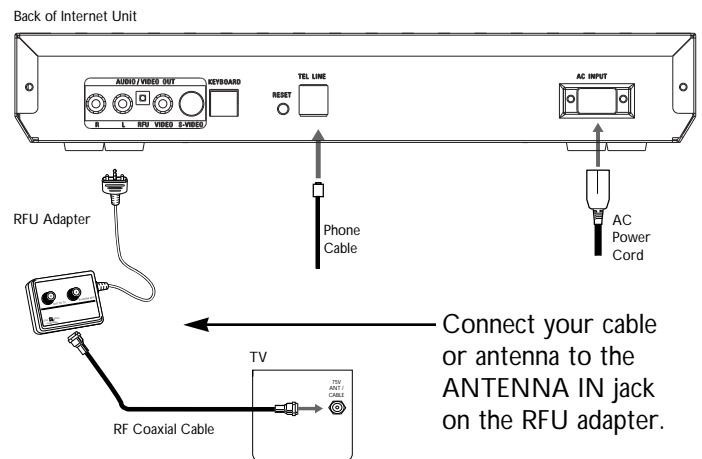
Connect one end of the telephone cable to the Internet Terminal's TEL LINE jack. Connect the other end to your home's telephone outlet.

5

Connect one end of the AC power cord to the Internet Terminal's AC INPUT jack. Connect the other end to an AC outlet.

6

Set your TV to channel 3 or 4, whichever channel the adapter is set to, when using the Internet Terminal.





Connecting to a TV or a VCR with Audio/Video jacks

1

Connect the audio cables (red and white) to the AUDIO OUT R(ight) and L(eft) jacks on the back of the Internet Terminal and to the AUDIO IN jacks on your TV, matching colors. If there is only one audio jack, connect the white plugs.

2

Connect the video cable (yellow) to the VIDEO OUT jack on the back of the Internet Terminal and to the VIDEO IN jack on the back of your TV.

3

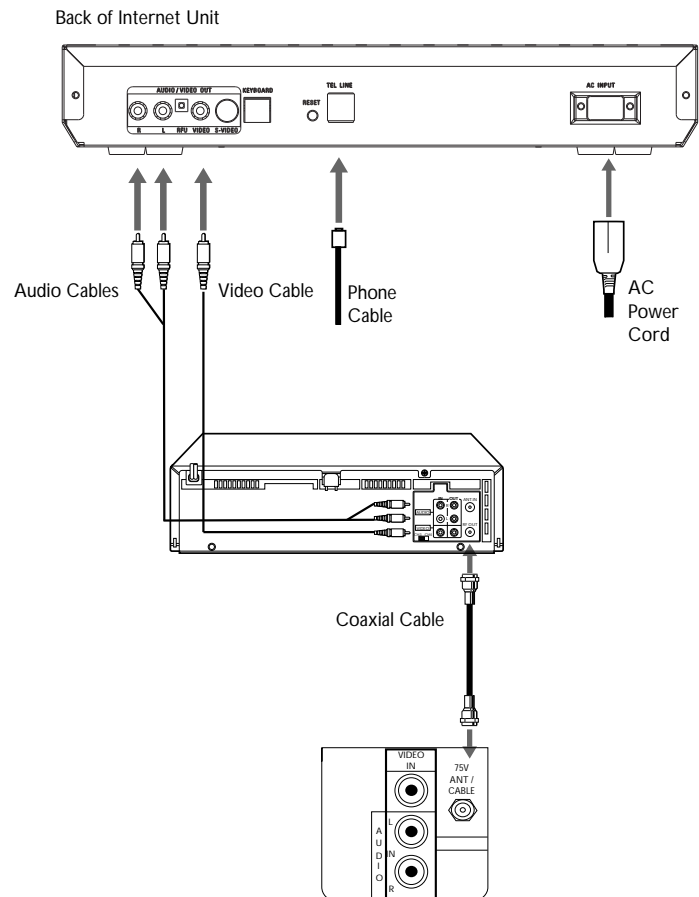
Connect one end of the telephone cable to the Internet Terminal's TEL LINE jack. Connect the other end to your home's telephone outlet.

4

Connect one end of the AC power cord to the Internet Terminal's AC INPUT jack. Connect the other end to an AC outlet.

5

If connecting through your VCR, connect the audio cables (red and white) to the AUDIO OUT R(ight) and L(eft) jacks on the back of the Internet Terminal and to the AUDIO IN jacks on your VCR, matching colors. If there is only one audio jack, connect the white plugs. Connect the video cable (yellow) to the VIDEO OUT jack on the back of the Internet Terminal and to the VIDEO IN jack on the back of your VCR. Use a coaxial cable to connect the OUT jack on your VCR to the VHF/UHF IN jack on your TV. (Or, you may also use additional audio and video cables to connect the Audio/Video Out jacks on your VCR to the Audio/Video In jacks on your TV.)



NOTES

◆ If you choose the Audio/Video jacks setup, use the remote control that came with your TV to set the video input, when viewing WebTV, to VIDEO IN.

◆ If you connect through your VCR, the VCR must be turned on, with the VCR's External Input selected, to access the WebTV Network.



The On-Screen Keyboard

Use the on-screen keyboard to type information on your TV screen. When you request an activity that requires typing, such as sending an e-mail message, a text box appears on the screen. A text box contains a vertical yellow line, which indicates exactly where you can type in the text box.

Displaying the on-screen keyboard

1

Move the yellow highlight to a text box using the remote control Arrow buttons. The highlight becomes a vertical yellow line inside the box.

2

Press the GO button on the remote. The keyboard slides onto your screen. *To remove the on-screen keyboard at any time, press the BACK button.*



Typing letters, numbers, and punctuation marks using the on-screen keyboard

1

Highlight the desired character using the Arrow buttons on the remote control.

2

Press the GO button on the remote.

Typing upper case letters

1

Highlight SHIFT on the on-screen keyboard using the remote control Arrow keys.

2

Press the GO button on the remote. The red light next to "caps" turns on.

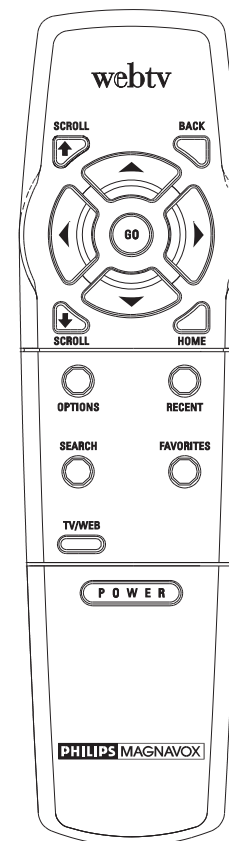
3

Highlight the desired character using the remote control Arrow buttons.

4

Press the GO button on the remote.

To type more than one upper case letter, repeat these steps for each letter.



NOTES

- ◆ You can choose whether your keyboard displays letter keys in alphabetical order or standard typewriter order (QWERTY). See Setup on page 30.
- ◆ You can type on-screen only when a text box is displayed.



Erasing or changing a character

1

Highlight an arrow key on the on-screen keyboard. Press the GO button repeatedly until the vertical line is located to the right of the character you want to erase.

2

Highlight DELETE on the on-screen keyboard, then press the GO button on the remote.

3

Highlight the character you wish to substitute, then press the GO button on the remote.

Inserting a space between characters

1

Highlight SPACE on the on-screen keyboard, then press the GO button on the remote.

Moving to the next line in a text box

1

Highlight RETURN on the on-screen keyboard, then press the GO button on the remote.

Note:

The yellow line generally moves to the next line when you come to the end of a line in a text box.

Moving to the next text box on the same page

1

Highlight CONTINUE on the on-screen keyboard, then press the GO button on the remote.

Moving to the previous text box on the same page

1

Press the BACK button to hide the keyboard.

2

Press the Up Arrow button on the remote. (The yellow line moves to the previous text box.)

3

Press the GO button on the remote. The on-screen keyboard appears.

Hiding the on-screen keyboard

1

Press the BACK button on the remote control.



Signing Up for WebTV

Signing up for the WebTV Network is an easy process that asks you to provide your name, billing address, phone number, credit card information, and an Internet name (which acts as your e-mail address). When you complete the last sign-up page, you will be given the opportunity to correct mistakes. Once the information is correct, the WebTV Home Page will appear. You are ready to begin your Internet experience. If you have any difficulty signing up, please call 1-800-GOWEBTV.

1

Turn on your television.

2

Press the POWER button to turn on the Internet Terminal. The Philips Magnavox logo will appear briefly.

The screen will show the Connecting to WebTV display. (If your unit is having trouble connecting, you may see various messages on-screen. Follow the directions on-screen carefully, then try again.) Information about WebTV will appear.

Continue will be highlighted on screen. Press the GO button.

3

Information about choosing items will appear on-screen. This is to familiarize you with using the Arrow buttons to highlight a link.

Use the Arrow buttons to highlight a link. Press the GO button to choose the link. Use the Arrow buttons to highlight CONTINUE, then press the GO button.

4

The FIRST NAME box will be highlighted. Press the GO button. The on-screen keyboard will appear.

Use the Arrow buttons and the GO button to enter your name. When you finish, use the Arrow buttons to highlight CONTINUE or RETURN, then press the GO button.

CONTINUE will be highlighted on-screen.

Press the GO button again.

5

The LAST NAME box will be highlighted. Press the GO button.

The on-screen keyboard will appear.

Enter your last name. When you finish, use the Arrow buttons on the remote to highlight CONTINUE or RETURN, then press the GO button.

CONTINUE will be highlighted on screen. Press the GO button again.

6

The PHONE BOX will be highlighted. Press the GO button. The on-screen keyboard will appear.

Enter your area code and phone number. You don't have to insert spaces or hyphens for the phone number information. When you finish, use the Arrow buttons to highlight CONTINUE or RETURN, then press the GO button.

CONTINUE will be highlighted on-screen. Press the GO button again.

**7**

The STREET box will be highlighted. Press the GO button. The on-screen keyboard will appear.

Enter your street address. When you finish, use the Arrow buttons to highlight CONTINUE or RETURN.

8

The CITY box will be highlighted. Enter your city name. When you finish, highlight CONTINUE or RETURN, then press the GO button.

9

The STATE box will be highlighted. Enter your state's postal abbreviation. When you finish, highlight CONTINUE or RETURN, then press the GO button.

10

The ZIP box will be highlighted. Enter your zip code. When you finish, highlight CONTINUE or RETURN, then press the GO button.

11

CONTINUE will be highlighted on-screen. Press the GO button again.

12

Information about WebTV billing procedures will appear. CONTINUE will be highlighted. Press the GO button.

13

You will be asked to identify the type of credit card you will use. Use the Arrow buttons to highlight the type of credit card you will use, then press the GO button.

14

The NUMBER box will be highlighted. Press the GO button. The on-screen keyboard will appear. Enter your credit card number. You don't have to insert spaces or hyphens for the credit card information. When you finish, use the Arrow buttons to highlight CONTINUE.

15

The EXPIRES box is highlighted. Enter your credit card's expiration date. When you finish, highlight CONTINUE, then press the GO button.

**NOTES**

◆ The sign-up pages will reappear each time you turn on your Internet Terminal until you complete the sign-up process.

◆ If you go back a page, you will erase the information on the current page.

◆ If you enter a name that has already been chosen by another WebTV member, you will be asked to enter a different name. If you receive this message three times, WebTV will suggest a name for you. You can use it, or you can continue trying to find one on your own.

◆ The first time you connect to the WebTV Network, your Internet Terminal takes a minute or more to make the connection.

**16**

CONTINUE will be highlighted. Press the GO button again.

The Internet name box will be highlighted. Press the GO button. The on-screen keyboard will appear. Type in your Internet name. Your Internet name acts as your e-mail address. It can contain letters and numbers, but must start with a letter. For example, T42 is okay, 24T is not. It must contain at least three characters, and no more than 15. It cannot contain spaces or punctuation marks.

If you enter a name that has already been chosen by another WebTV member, you will be asked to enter a different name. If you receive this message three times, WebTV will suggest a name for you. You can use it, or you can continue trying to find one on your own.

When you finish, highlight CONTINUE, then press the GO button.

17

When you complete the last sign-up page, WebTV displays a page that contains all the information you have entered.

Correcting a mistake on a previous sign up page:

1

Highlight the text box that contains the information you wish to change and press the GO button. The page on which you originally entered the information appears.

2

See "Erasing or changing a character" on page 17 for details on how to make a correction.

3

Highlight CONTINUE and press the GO button to return to the sign-up information page. You may need to repeat this step more than once to reach the sign-up information page.

Completing the sign-up process

1

Highlight CORRECT on the sign-up information page and press the GO button. The WebTV Home Page will appear soon.

**NOTES**

◆ If you make a mistake, press the BACK button until the incorrect page appears. Going back deletes the information on the current page. Make the correction, then continue as instructed.



Exploring the Internet on WebTV

This chapter explains how to access various pages on the Internet from the WebTV Home Page. Because the Internet is constantly changing, the Home Page will also occasionally change. When you see new icons, explore! WebTV will provide help for using new icons through the INSTRUCTIONS icon.

To connect to the Home Page

1

Turn on your television.

2

Press the POWER button on the remote to turn on the Internet Terminal. The Connecting to WebTV screen will appear.

3

In one to two minutes, the WebTV Home Page will appear.

If the Internet Terminal is having trouble connecting to WebTV, you may see a message on-screen. Follow the on-screen directions carefully. If you need to check your Dialing Options, see page 31 for more details.

Connecting to WebTV screen



To Activate a Home Page Icon

1

Highlight an icon on the Home Page using the Arrow buttons on the remote control.

2

Press the GO button on the remote.



◆ If you take your Internet Terminal to a new location, for example, to show it to a friend, you may see the message: "Your Internet Terminal was unplugged or the electricity went out. If you are at a different phone number now, choose New Number. Otherwise, choose Same."

NOTES If you are at the same phone number, highlight Same and press the GO button. If you are at a different phone number, highlight New Number and press the GO button. Follow the instructions on-screen.

◆ If more than one user is registered for your unit, you must enter your user name and password. Then, the Home Page will appear. The Mail, Favorites and Options will be set for the designated user. See Setup on page 30 for details.



Explore

EXPLORE is designed to make your exploration of the Internet easy and fun. When you enter the EXPLORE area, you'll find links to some of the most exciting and useful pages on the Internet. WebTV will continuously update EXPLORE.

Go to a page from the EXPLORE page



Highlight any icon on the EXPLORE page and press the GO button on the remote control. The icons either lead to more selections or directly to a page.

Instructions



Instructions

The INSTRUCTIONS area contains help for using the remote control and various WebTV features, such as the Home Page areas.

Read the Instructions



Highlight the INSTRUCTIONS icon and press the GO button.



Highlight any topic on the INSTRUCTIONS page and press the GO button on the remote control. The instructions for that topic will appear.



NOTES

◆ To exit the Instructions at any time, press the HOME button to return to the Home Page.



Search

SEARCH links you to the SEARCH page, which enables you to search the Internet for information on both general and specific topics.

To search for specific information:

◆ 1

Highlight SEARCH on the Home Page and press the GO button.

◆ 2

Type a topic in the text box. You can enter one word, many words, or even a question.

◆ 3

Highlight the SEARCH command and press the GO button. A list appears on your screen.

◆ 4

Highlight an item on the list using the Arrow buttons on the remote control and press the GO button. The page will appear soon.

Note

Press the BACK button or the RECENT button on the remote control to return to the list if the page does not contain what you are looking for.



NOTES

◆ At the end of the listings, you may have the option to highlight NEXT DOCUMENT or PREVIOUS DOCUMENT. Next and previous documents are continuations of listings pertaining to your topic. Highlight NEXT DOCUMENT or PREVIOUS DOCUMENT, then press the GO button to see additional listings.

◆ You may press the SEARCH button at any time to go directly to the SEARCH page.



Mail

The MAIL icon links you to your MAILBOX, which lists the e-mail messages you have received. To read a message, simply highlight a message on the list and press the GO button.

The MAILBOX page contains the following icons:

- ◆ write
- ◆ storage
- ◆ setup
- ◆ names
- ◆ discard

Note: When you have unread messages in your MAILBOX, the red MESSAGE light on the front of your Internet Terminal is illuminated. If you receive a message while you are connected to the WebTV™ Network, the red MESSAGE light will flash.

Write

Highlight WRITE to open the WRITE A NEW MESSAGE page, where you can address, create, and send e-mail messages.

You can send the same e-mail message to more than one address at a time by entering more than one address in the TO text box. Separate addresses with a comma and a space.

Storage

The STORAGE icon links you to the STORED MAIL page, where you can view messages you have saved.

Setup

The SETUP icon allows you to:

- ◆ Choose whether your MAILBOX displays your oldest or newest messages at the top.
- ◆ Type a signature that is automatically added to the end of each e-mail message you send.
- ◆ Include a carbon copy. (The CC text box on your WRITE A NEW MESSAGE page allows you to send a copy of your message to one or more addresses.)



Names

The NAMES icon links to your NAMES page, which allows you to store and edit e-mail addresses. You can automatically address messages from your list of names.

Discard

The DISCARD icon allows you to discard messages from your MAILBOX.

To open and read an e-mail message

Highlight an e-mail message on the MAILBOX page and press the GO button. The contents of the message appear on your screen.

To return to the MAILBOX page

Highlight MAILBOX and press the GO button.

To save or store a message

1

Open a message from your MAILBOX page.

2

Highlight SAVE and press the GO button.

To read saved messages

1

Highlight STORAGE on the MAILBOX page and press the GO button. A list of saved messages appears.

2

Highlight a message and press the GO button. The contents of the saved message appear.

To reply to an e-mail message

1

With a message open on your screen, highlight REPLY and press the GO button. The REPLY TO A MESSAGE page appears with the address and subject entered in the appropriate boxes for you.

2

Type your reply.

3

Highlight SEND and press the GO button. A message appears indicating that your e-mail is being sent.

**To resend an e-mail message****1**

With a message open on your screen, highlight RESEND and press the GO button. The RESEND A MESSAGE page appears with the subject entered for you.

2

Type one or more e-mail addresses in the TO text box. Separate addresses by a comma and a space if you type more than one address.

3

Type a message to add to the forwarded message in the text box on the bottom of the page (optional).

4

Highlight SEND and press the GO button. A message appears, indicating that your e-mail is being sent.

To send an e-mail message**1**

Highlight WRITE and press the GO button. The WRITE A NEW MESSAGE page appears.

2

Type one or more e-mail addresses in the TO text box. Separate addresses by a comma and a space if you type more than one address.

3

Use the Arrow buttons on the remote control to move the vertical line to the SUBJECT text box. Type a subject (optional).

4

Use the Arrow buttons on the remote control to move to the next text box. Type your message.

5

Highlight SEND and press the GO button. A message appears indicating that your e-mail is being sent.

To discard a message**1**

Highlight DISCARD and press the GO button. A list of e-mail messages appears.

2

Highlight a message and press the GO button. Repeat to discard more than one message at a time.

3

Highlight DISCARD and press the GO button. WebTV discards the highlighted messages from the list.



Add a name to your NAMES page

1

Highlight NAMES on the MAILBOX page and press the GO button. The NAMES page appears.

2

Highlight NEW and press the GO button.

3

Type the appropriate information in the text boxes, then highlight ADD and press the GO button.

Use your list of NAMES

1

Highlight NAMES on the WRITE A NEW MESSAGE page and press the GO button. The NAMES panel appears.

2

Highlight the name of the person to whom you want to send a message and press the GO button. Repeat to send the same message to more than one person at a time.

3

Highlight CONTINUE and press the GO button. The highlighted name or names will appear in the TO text box.

Delete a name on the NAMES page

1

Highlight NAMES on the MAILBOX page and press the GO button. The NAMES page appears.

2

Highlight the name you wish to delete and press the GO button.

3

Highlight DISCARD and press the GO button. WebTV deletes the name from your list.



Favorites

Save a page to your FAVORITES list

1

Go to a page you wish to visit frequently and press the OPTIONS button on the remote control. The OPTIONS panel appears at the bottom of the screen.

2

Highlight SAVE on the OPTIONS panel and press the GO button. A panel that displays the SAVE PAGE command appears.

3

Highlight the SAVE PAGE command and press the GO button. The page is saved in your personal FAVORITES list.

Open a page from your FAVORITES list

1

Highlight FAVORITES on the Home Page and press the GO button. Your FAVORITES list appears on the screen.

2

Highlight a title or an icon on the list and press the GO button. The page appears.

Delete a page from your FAVORITES list

1

Open your FAVORITES list and highlight EDIT, then press the GO button.

2

In the EDIT FAVORITES screen, highlight the REMOVE box next to the page you wish to delete, then press the GO button.

3

Highlight DONE and press the GO button.



◆ You may go to your FAVORITES page at any time by pressing the FAVORITES button on the remote control.

NOTES



Setup

Enter the SETUP area to display options that allow you to:

- ◆ Restrict access to pages on the Internet that contain mature material.
(Different users can have different access settings.)
- ◆ Choose whether your on-screen keyboard displays the letter keys in alphabetical order or standard typewriter order (QWERTY).
- ◆ Make the text that appears on your screen smaller or larger.
- ◆ Update your sign-up information.
- ◆ Turn off WebTV sounds.
- ◆ Turn off Call Waiting interruptions.
- ◆ Display/hide ADVANCED OPTIONS (HANG UP and RELOAD) on the OPTIONS panel. See Advanced Options on page 35.
- ◆ Create separate accounts with private MAILBOXES and FAVORITES lists for each member of your household.
- ◆ Change your Internet name or password (except the primary user).
You must create and use a password to access a separate account. Passwords can contain all numbers, or letters and numbers, and must contain a minimum of four characters. Do not use spaces or punctuation marks.
For security reasons, your password will be displayed as a row of dots on the screen. WebTV will ask you to type your password twice to ensure accuracy.

**Create separate accounts and set access restrictions (WebTV users)****1**

Highlight WEBTV USERS and press the GO button.

2

Highlight ADD A USER and press the GO button.

3

Enter an Internet name, then highlight CONTINUE and press the GO button.

4

Enter a password and select CONTINUE.

Different access options will appear. Follow the on-screen instructions to set the desired level of access restriction.

5

Highlight the check box next to an option and press the GO button. A red check mark means the option is turned on. Press the GO button again to remove the check mark.

6

Select CONTINUE and then select DONE to return to the SETUP page.

Customize your keyboard**1**

Highlight KEYBOARD and press the GO button.

2

Highlight ALPHABETICAL or QWERTY and press the GO button.

3

Highlight DONE and press the GO button.

Customize your WebTV screen**1**

Highlight TEXT SIZE and press the GO button.

2

Make your selection.

3

Highlight DONE, then press the GO button to return to the SETUP page.

Change sign-up information**1**

Highlight WEBTV USERS and press the GO button. Choose the user whose information you would like to change, then press the GO button.

2

Enter new information in the appropriate text boxes.

3

Highlight DONE and press the GO button to return to the SETUP page.



Display Advanced Options



Highlight **ADVANCED OPTIONS** and press the **GO** button.
The **ADVANCED OPTIONS** appear on your **OPTIONS** panel if you choose this setting.

The **ADVANCED OPTIONS** allow you to:

RELOAD: Update the version of the page you are visiting currently.

HANG UP: Temporarily disconnect from the WebTV Network to make a phone call. To reconnect, press the **GO** button on the remote. WebTV reconnects you to the same location you were visiting when you disconnected.

Turn off WebTV sounds and music



Highlight **SOUND AND MUSIC** and press the **GO** button.



Highlight the appropriate check box and press the **GO** button. A red check mark means you will not hear the sounds or music. Press the **GO** button again to remove the check mark.



Highlight **DONE** and press the **GO** button to return to the **SETUP** page.

Select Dialing Options



Highlight **DIALING OPTIONS** and press the **GO** button. A list of options appears:

CALL WAITING: Choose whether your Internet Terminal disconnects from the WebTV Network when a call comes in.

BASIC: Enter a prefix for dialing out; choose tone dialing.

ADVANCED: Set a dialing speed.

ACCESS: Enter an access number for WebTV.



Highlight the box next to a desired option and press the **GO** button. A red check mark means the dialing option is turned on. Press the **GO** button again to remove the check mark.



Highlight **DONE** and press the **GO** button to return to the **SETUP** page.

Customize your MAIL area

See **SETUP** on page 24 for details.



The OPTIONS panel offers several features that enable you to navigate your way through WebTV and to perform other functions easily and efficiently.

Using the OPTIONS panel



Press the OPTIONS button on the remote control. The OPTIONS panel slides onto the bottom of your screen.



Highlight an option and press the GO button.

Each option brings up a different panel. The following sections describe the various options, and how to use each option's features.



The WebTV option returns you to the WebTV Home Page.



The FIND option helps you find a specific word or phrase on the current page; it also lets you scroll to the top or bottom of a page.



To find a specific word or phrase on a page, type a word or phrase in the text box on the FIND panel.



Highlight FIND and press the GO button. WebTV highlights the requested text on the page.



The INFO option displays the title and address of the page currently on the screen, as well as the most recent time the page was updated.

Displaying the INFO panel



Highlight INFO on the OPTIONS panel and press the GO button.

**Find a new word or phrase****1**

Highlight CLEAR and press the GO button.

2

Type a new word or phrase in the text box, then highlight FIND and press the GO button.

Scroll to the top or the bottom of a page**1**

Highlight SCROLL TO TOP or SCROLL TO BOTTOM and press the GO button.



The GO TO option allows you to go directly to a page by typing in an Internet address.

Go directly to a page**1**

Highlight GO TO on the panel and press the GO button.

2

Type the Internet address in the text box. For example: <http://webtv.net>

3

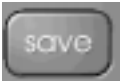
Highlight the GO TO PAGE command and press the GO button. The page appears on your screen.

Display addresses**1**

Highlight SHOW CURRENT and press the GO button to display the address of the currently displayed page.

2

Highlight SHOW LAST and press the GO button to display the most recent address you entered on the GO TO panel.



The SAVE option allows you to save the currently displayed page on your FAVORITES list.

Save a currently displayed page

1

Highlight SAVE and press the GO button.

2

Highlight SAVE PAGE and press the GO button.



The SEND option allows you to send an e-mail message that contains a link to the currently displayed page.

Send a page by e-mail

1

Open the page you want to send, then press the OPTIONS button on the remote control.

2

Highlight the SEND option and press the GO button.

3

In the text box labeled TO, type the e-mail address of the person to whom you want to send the page. Highlight EDIT MESSAGE and press the GO button to add a message.

4

Highlight the SEND PAGE command and press the GO button. The page link will appear when the recipient opens the e-mail message.



See Display Advanced Options on page 31 for details on how to display the ADVANCED OPTIONS on your OPTIONS panel.



The RELOAD option loads an updated version of the page you are currently visiting. Use this option when the page you are viewing contains information that is updated frequently, such as sports scores or stock quotes.

Reload a page



Open a page, then highlight the RELOAD option and press the GO button.



The HANG UP option allows you to temporarily disconnect from the WebTV Network to make a telephone call, then reconnect to the page you were visiting when you disconnected.

Use the HANG UP option



Highlight the HANG UP option and press the GO button. The WebTV connection indicator on the title bar turns red and becomes a straight line.



Make a telephone call the way you normally do.



Press the GO button to reconnect to the WebTV Network.



You may connect a personal computer keyboard (wired) to the Internet Terminal. This will allow you to type information into the text boxes which appear on-screen. The keyboard must have a PS/2 (6-pin) type connector, and it must be an AT type. Connect the keyboard to the KEYBOARD jack on the back of the Internet Terminal. The function keys on a PC keyboard will have different operations once the keyboard is connected to the Internet Terminal. The keys will have the following functions.

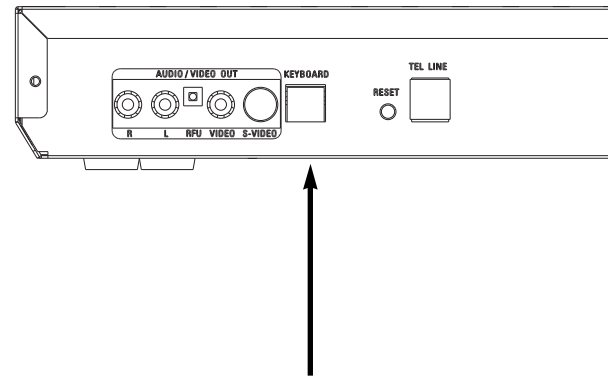
F1	Power
F2	Favorites
F3	Search
F4	Mail
F5	Find
F6	Information
F7	Go To
F8	Save
F9	Send
F10	Recent
F11	Options
F12	No function

Other keyboard keys operate as follows:

Insert	Edit text
Home	To go back to the WebTV Home Page
Page Up	Scroll up in a document
Page Down	Scroll down in a document
End	To go back to the previous page

Other PC-specific keys have no function when the keyboard is connected to the Internet Terminal.

You may choose to make a template for your keyboard, identifying the uses of these keys when connected to WebTV.



Connect the keyboard to the KEYBOARD jack on the back of the Internet Terminal.



Terminals

- ◆ Video Output
- ◆ Audio Outputs (right and left)
- ◆ S-Video Output
- ◆ Telephone line Input
- ◆ RFU DC Output
- ◆ Keyboard (PS/2 style keyboard connector)
- ◆ WebTV port (96 pin)

Dimensions

280mm x 49.2mm x 214.7mm
(11 1/8" x 2" x 8 1/4")

Weight

1.3kg (2lbs 14 oz)

Power requirements

AC 120V

Power consumption

15W maximum
5W standby

Supplied Accessories

- ◆ Remote Control
- ◆ Two AAA Batteries
- ◆ AC Power Cord
- ◆ Phone Cable
- ◆ Video Cable (yellow)
- ◆ Audio Cables (red and white)
- ◆ Telephone-splitter (RJ-11 Y adapter or T-splitter)
- ◆ Wireless Keyboard

Optional Accessories

- ◆ EXT channel 3/4 RFU Adapter
- ◆ S-Video Cable

Designs and specifications are subject to change without notice.



Internet Terminal

90 Days Free Labor

One Year Parts Exchange

WHO IS COVERED?

You must have proof of purchase to receive warranty service. A sales receipt or other document showing that you purchased the product is considered proof of purchase.

WHAT IS COVERED?

Warranty coverage begins the day you purchase your product. For 90 days from the date of purchase, the Internet Terminal will be replaced with a new, repaired, renewed or comparable product (whichever is deemed necessary) if it becomes defective or inoperative. This exchange is done without charge to you.

From 90 days to one year from the date of purchase, your Internet Terminal will be replaced with a new, repaired, renewed, or comparable product (whichever is deemed necessary) if it becomes defective or inoperative. You will be responsible for all labor costs. Contact Philips Service Solutions Group at 1-888-813-7069 to obtain your cost (labor costs) for exchange.

All products, including replacement products, are covered only for the original warranty period. When the warranty on the original product expires, the warranty on the replacement product also expires.

After one year from the date of purchase, you pay for the replacement of all parts, and for all labor charges.

WHAT IS EXCLUDED?

Your warranty does not cover:

- labor charges for installation or setup of the product.
- installation, performance of, or repair of audio/video cabling, telephone line, or accessory attachments used in accessory ports outside of the product.
- product replacement because of misuse, accident, lightning damage, unauthorized repair, or other cause not within the control of Philips Consumer Electronics Company.
- incidental or consequential damages resulting from the product. (Some states do not allow the exclusion of incidental or consequential damages, so the above exclusion may not apply to you.)
- reception transmission problems caused by signal conditions, telephone line, or cable or antenna systems outside the unit.
- a product that requires modification or adaptation to enable it to operate in any country other than the country for which it was designed, manufactured, approved and/or authorized, or repair of products damaged by these modifications.
- a product used for commercial or institutional purposes. Philips makes no warranty that the access connection will be a local (not long distance) call, or that international dialing connection(s) may be required for usage of the product outside the United States. WebTV service is separate and distinct from this product (hardware) warranty.

MAKE SURE YOU KEEP...

Please keep your sales receipt or other document showing proof of purchase. Attach it to this owner's manual and keep both nearby. Also keep the original box and packing material in case you need to return your product.

BEFORE REQUESTING SERVICE...

Please check your owner's manual before requesting service. Adjustments of the controls discussed there may save you a service call.

TO GET WARRANTY SERVICE...

Warranty service will be provided by Philips Consumer Electronics Company. If you believe you need service for your Internet Terminal, contact Philips Service Solutions Group at 1-888-813-7069. A representative will go through a diagnostic checklist with you. If it is determined that the product needs to be exchanged, you will receive a return authorization number.

The representative will give you complete shipping details.

PHILIPS MAGNAVOX SERVICE CONTRACT

Enjoy peace of mind, even after your product's warranty expires. A Philips Magnavox Service Contract protects you from unexpected (and unwelcome) expenses by fully covering the cost of both parts and labor, should a repair be necessary. And, we're there when you need us—you'll receive fast, convenient service with a single phone call, seven days a week.

Receiving this protection is simple. Complete and mail your warranty registration card or, if you'd like more information, call 1-888-813-7069 today.

TO GET OUT-OF-WARRANTY SERVICE...

Out-of-warranty service can be obtained at a nominal cost for replacement and handling. To obtain out-of-warranty service:

1. Contact Philips Service Solutions Group at 1-888-813-7069 to obtain the cost of out-of-warranty exchange for your product.
2. Pack the Internet Terminal in a carton suitable for safe shipment.
3. Ship the unit, freight prepaid, to:

Philips Service Solutions Group
112 Polk Street
Greeneville, Tennessee 37745

Make sure you write your complete return address on the outside of the carton. Also, include a letter inside the carton describing the problem. Be sure the letter includes your name, address, telephone number, and product serial number. Enclose your money order in the amount quoted to you by the Philips Service Solutions Group representative.

4. When your product is received, it will be replaced by a new, repaired, renewed, or comparable product which meets Philips' high quality standards and returned to you by prepaid transportation. You will be responsible for all transportation and shipping costs.

REMEMBER...

Record below the model and serial numbers found on the product. Also, fill out and mail your warranty registration card promptly. It will be easier for us to notify you if necessary. (The return of the warranty registration card is not a condition for warranty coverage.)

MODEL # _____
SERIAL # _____

This warranty gives you specific legal rights. You may have other rights which vary from state to state.

All implied warranties, including implied warranties of merchantability and fitness for a particular purpose, are limited in duration to the duration of this express warranty. Some states do not allow limitations on how long an implied warranty lasts, so the above limitation may not apply to you.

Philips Service Solutions Group, P.O. Box 555, Jefferson City, Tennessee 37760, (423) 475-8869

EL6176E002 / MAC 5972 / 08-98



ac input jack	9	mail	24-27	vertical sliding door	9
access restrictions setup	30	mailbox	24-27	video out jack	9
accessories	40	mailbox setup	24		
account setup	30	message indicator	9, 24	webtv port	9
advanced options	31, 35	messages	24-27	weight	37
arrow buttons	10			write icon	24, 26
audio jacks	9	names icon	25, 27		
back button	10, 23	on-screen keyboard	16-17		
battery installation	8	options button	10		
		options panel	32-34		
connected indicator	9				
connecting to the home page	21	package contents	8		
connection indicator	11	page title	11		
connections	12-15	personal computer keyboard	36		
control panels	9	power button	10		
correcting mistakes	20	power consumption	37		
		power indicator	9		
dialing options setup	31	power requirements	37		
dimensions	37				
discard icon	25, 26	recent button	10, 23		
		reload option	35		
exchange	38	remote control	10		
explore	22	reset button	9		
		rfu jack	9		
favorites button	10, 28				
favorites list	28	safety information	3-4		
fcc information	6	save icon	25		
find option	32-33	save option	34		
		scroll (up/down) buttons	10		
general information	11	search	23		
getting started	8	search button	10, 23		
go button	10	send option	34		
go to option	33	setup icon	24		
		setup options	29-31		
hang up option	35	signing up for webtv	18-20		
home button	10, 22	sign-up information changes	30		
		sounds and music setup	31		
image map	10	specifications	37		
index	39	storage icon	24, 25		
indicator arrows	11	s-video out jack	9		
info option	32				
infrared sensor	9	table of contents	7		
instructions	22	tel(ephone) line jack	9		
introduction	7	telephone line connections	12		
		text size setup	30		
keyboard (wired) connection	36	title bar	11		
keyboard jack	9, 36	tv connections			
keyboard setup	30	audio/video jacks	15		
		rfu adapter	14		
limited warranty	38	s-video out jack	13		
links	10	vcr	15		
		tv/web button	10		

ACCESSORIES

The following accessories are packed with your Internet Terminal. These accessories are provided to help you use or set up your Internet Terminal.

If any of these items are not included, or if you need to replace an accessory, contact Philips Service Solutions Group at the address listed below.

- ◆ Remote Control
Part number 4835 220 37002
- ◆ Two AAA Batteries
Part number 4835 138 17001
- ◆ AC Power Cord
Part number 4835 220 37013
- ◆ Phone Cable
Part number 4835 220 37018
- ◆ Video Cable
Part number 4835 322 67002
- ◆ Audio Cables
Part number 4835 322 57002
- ◆ T-splitter
Part number 4835 220 37019
- ◆ Wireless Keyboard
MWK122

The following accessories are not included with your product, but are available from Philips Consumer Electronics Company:

- ◆ EXT channel 3/4 RFU Adapter
Use this adapter when connecting the Internet Terminal to a television that does not have Audio/Video jacks.
Model number MRF200BK
- ◆ S-Video Cable
Use this cable to connect the S-VIDEO OUT jack on the Internet Unit to the S-VIDEO IN jack on your television.
Part number 4835 395 17322

To order these items, contact Philips Service Solutions Group at the address listed below.

**To order an accessory, write to:
Philips Service Solutions Group
P.O. Box 967
Greeneville, TN 37744-0967
Or, call 1-888-813-7069.**



Free Manuals Download Website

<http://myh66.com>

<http://usermanuals.us>

<http://www.somanuals.com>

<http://www.4manuals.cc>

<http://www.manual-lib.com>

<http://www.404manual.com>

<http://www.luxmanual.com>

<http://aubethermostatmanual.com>

Golf course search by state

<http://golfingnear.com>

Email search by domain

<http://emailbydomain.com>

Auto manuals search

<http://auto.somanuals.com>

TV manuals search

<http://tv.somanuals.com>