

Digital Video Disc Player

DVD710AT

## Hookup Pages

**Important!**  
Return your Warranty Registration  
Card within 10 days. See why inside.



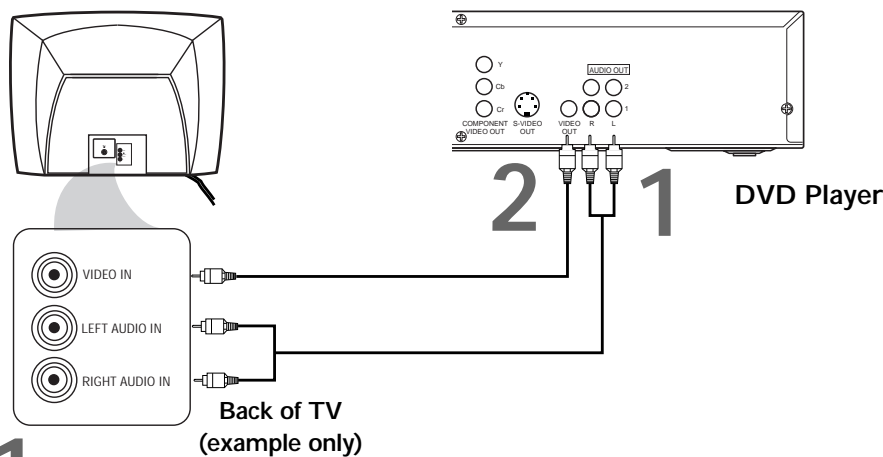
# PHILIPS

## 8 Hookups

You may connect the DVD Player several different ways, depending on your existing equipment and your preferences for sound and picture quality. To determine which hookup is best for you, examine the options on the following pages, then see which best matches your situation. Before you hook up the DVD Player, remember:

- Connect the DVD Player directly to a TV. If you connect the DVD Player to a VCR, then connect the VCR to the TV, the picture may be distorted by the copyright protection system.
- Turn off the power of all equipment before making any connections.
- Refer to the owner's manuals of your other equipment for additional information.
- Depending on your connection, you may need to purchase additional cables.
- If you do not connect the DVD Player to a Dolby Digital or DTS Decoder, set DOLBY DIGITAL and DTS to OFF on the DVD Player. *Details are on pages 11 and 38-39.* If you play a DVD when the settings are wrong, the sound will be distorted or you may damage the speakers.

### Connecting the DVD Player to a TV only (no stereo or amplifier) TV has AUDIO (red and white) and VIDEO (yellow) IN jacks



1

Connect the red and white audio cables to the red and white **AUDIO OUT** jacks on the DVD Player (either 1 or 2) and to the red and white **AUDIO IN** jacks on the TV, matching the cable colors to the jack colors. If the TV has a single **AUDIO IN** jack, use the white audio cable to connect the DVD Player's white **AUDIO OUT** jack to the TV's **AUDIO IN** jack. You will not use the red audio cable.

2

Connect the yellow video cable to the **VIDEO OUT** jack on the DVD Player and to the **VIDEO IN** jack on the TV.

3

Connect the TV's power cord to a power outlet.

Turn on the TV and set it to the **Audio/Video In** channel, which also may be referred to as **A/V In** or **Auxiliary In**. This channel usually is located near channel 00. See your TV owner's manual for details.

4

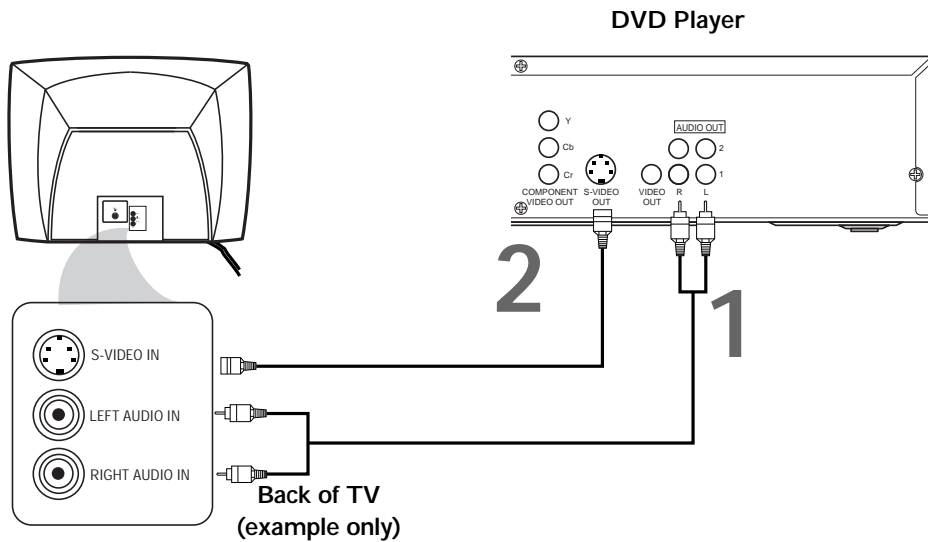
Connect the DVD Player's power cord to a power outlet.

Press the **POWER** button to turn on the DVD Player. "HELLO" will appear briefly on the DVD Player's display panel. You should see the DVD logo on the TV screen briefly. If you do not, check your connections and make sure the TV is set to the correct Audio/Video In channel. If there is no disc in the DVD player, "no DISC" will appear on the display panel.

### Connecting the DVD Player to a TV only (no stereo or amplifier)

#### TV has audio (red and white) and S-Video In jacks

- For better picture quality, use an optional S-Video cable to connect the S-VIDEO OUT jack on the DVD Player to the S-VIDEO IN jack on your TV. You will not use the yellow VIDEO OUT jack on the DVD Player, and you will not need the yellow video cable.
- Set DOLBY DIGITAL and DTS to OFF on the DVD Player. *Details are on pages 38-39.* If you play a DVD when the settings are wrong, the sound will be distorted or you may damage the speakers.



# 1

Connect the red and white audio cables to the red and white **AUDIO OUT** jacks (either 1 or 2) on the DVD Player and to the red and white **AUDIO IN** jacks on the TV, matching the cable colors to the jack colors. If the TV has a single **AUDIO IN** jack, use the white audio cable to connect the DVD Player's white **AUDIO OUT** jack to the TV's **AUDIO IN** jack. You will not use the red audio cable.

# 2

Connect an S-Video cable (not supplied) to the **S-VIDEO OUT** jack on the DVD Player and to the **S-VIDEO IN** jack on the TV.

# 3

Connect the TV's power cord to a power outlet.

Turn on the TV and set it to the **S-VIDEO IN** channel. This channel usually is located near channel 00. See your TV owner's manual for details.

# 4

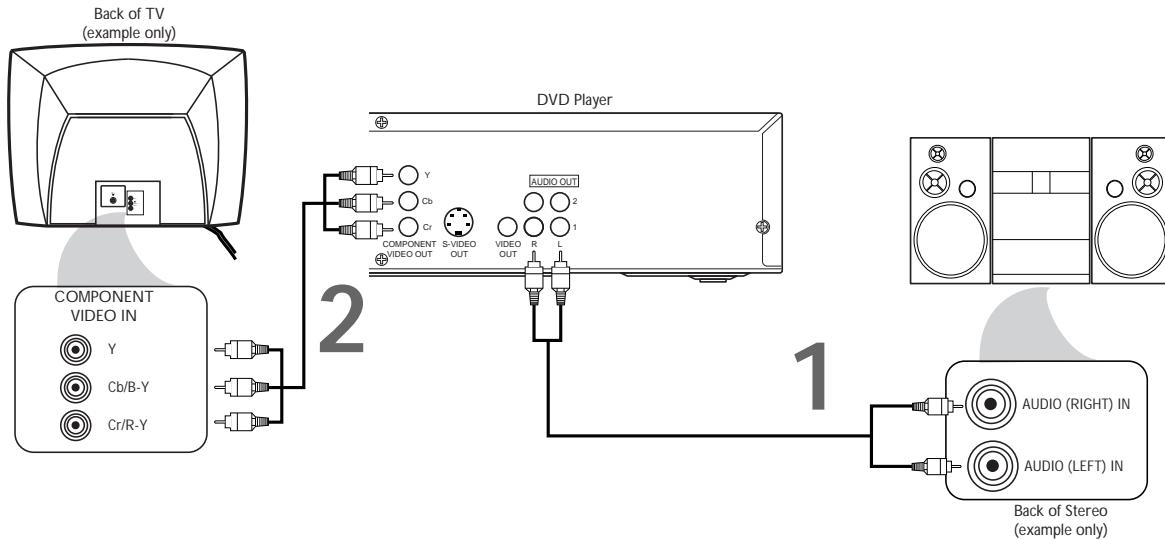
Connect the DVD Player's power cord to a power outlet.

Press the **POWER** button to turn on the DVD Player. "HELLO" will appear briefly on the DVD Player's display panel. You should see the DVD logo on the TV screen briefly. If you do not, check your connections and make sure the TV is on the correct S-Video In channel. If there is no disc in the DVD player, "no DISC" will appear on the display panel.

## 10 Hookups (cont'd)

### Connecting to a TV and a Stereo TV has Component Video In Jacks

- Set DOLBY DIGITAL and DTS to OFF on the DVD Player. *Details are on pages 38-39.* If you play a DVD when the settings are wrong, the sound will be distorted or you may damage the speakers.



1

Connect the red and white audio cables to the red and white **AUDIO OUT** jacks (either 1 or 2) on the DVD Player and to the red and white **AUDIO IN** jacks on the Stereo, matching the cable colors to the jack colors.

2

Connect an optional component video cable to the **COMPONENT VIDEO OUT** jacks on the DVD Player and to the **COMPONENT VIDEO IN** jacks on the TV.

3

Plug in the Stereo's power cord. Turn on the Stereo and select the Stereo's **Auxiliary IN** station. During Disc playback, you will adjust the volume at your Stereo. See your Stereo owner's manual for details.

4

Plug in the TV's power cord. Turn on the TV and set it to the **Component Video In** channel, which usually is located near channel 00. During Audio CD playback, you may check the status of Audio CDs on your TV screen. During DVD playback, you will watch the program on the TV. See your TV owner's manual for details.

5

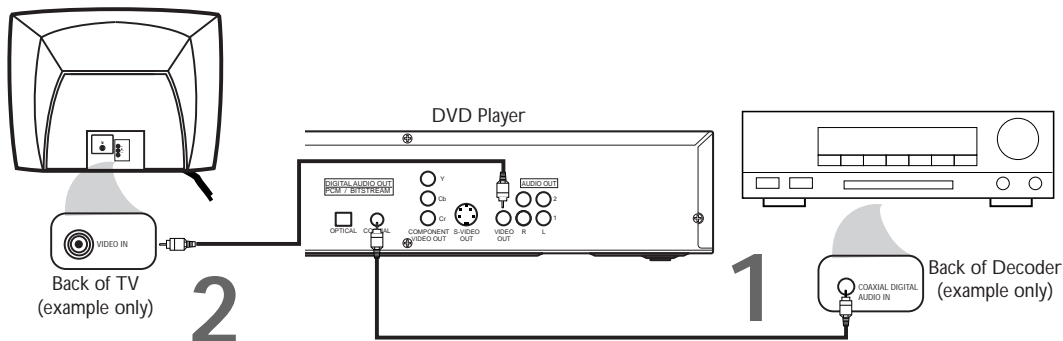
Connect the DVD Player's power cord to a power outlet.

Press the **POWER** button to turn on the DVD Player. "HELLO" will appear briefly on the DVD Player's display panel. You should see the DVD logo on the TV screen briefly. If you do not, check your connections and make sure the TV is on the correct channel. If there is no disc in the DVD player, "no DISC" will appear on the display panel.

### Connecting to a Dolby Digital Decoder or DTS Decoder

Some Discs are recorded in a 5.1 channel Dolby Digital Surround or Digital Theater System (DTS) Surround format. These Discs will sound best if you connect the DVD Player to a Dolby Digital or DTS Decoder.

- You will need a coaxial digital audio cable or an audio optical cable (not supplied). *Details are on page 12.*
  - If you use the OPTICAL jack, remove the protective cap.
  - If you connect the DVD Player to a Dolby Digital Decoder, set DOLBY DIGITAL to ON. *Details are on pages 38-39.*
  - If you connect the DVD Player to a DTS Decoder, set DTS to ON. *Details are on pages 38-39.*
- If the DVD Player is not connected to a Dolby Digital or DTS decoder, set DOLBY DIGITAL and DTS to OFF. Incorrect settings may cause noise distortion and damage the speakers.
- Select the 5.1 channel Dolby Digital Surround sound in the Disc menu.
  - Connect a subwoofer and the center, front, and surround speakers to the Decoder as described in the Decoder owner's manual.



1

Connect a coaxial digital audio cable to the **COAXIAL** jack on the DVD Player and to the **COAXIAL DIGITAL AUDIO IN** jack on the Decoder. (Or, you may connect an audio optical cable to the OPTICAL jack on the DVD Player and to the OPTICAL DIGITAL AUDIO IN jack on the Decoder.)

2

Connect the supplied yellow video cable to the yellow **VIDEO OUT** jack on the DVD Player and to the **VIDEO IN** jack on the TV. (Or, you may connect an optional component video cable to the COMPONENT VIDEO OUT jacks on the DVD Player and to the COMPONENT VIDEO IN jacks on the TV. Or, you may connect an optional S-Video cable to the S-VIDEO OUT jack on the DVD Player and to the S-VIDEO IN jack on the TV.)

3

Plug in the Decoder's power cord. Turn on the Decoder and select the **Auxiliary IN** station. During Disc playback, you will adjust the volume at the Decoder. See your Decoder owner's manual for details.

4

Plug in the TV's power cord. Turn on the TV and set it to the correct **Video In** channel. During Audio CD playback, you may check the Disc status on your TV screen. During DVD playback, you will watch the program on the TV. See your TV owner's manual for details.

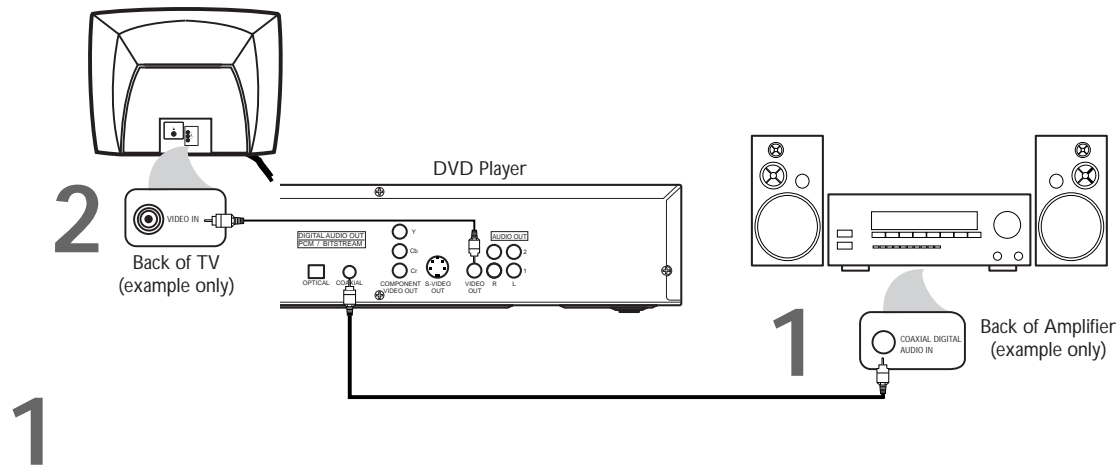
5

Connect the DVD Player's power cord to a power outlet. Press the **POWER** button to turn on the DVD Player. "HELLO" will appear briefly on the DVD Player's display panel. You should see the DVD logo on the TV briefly. If you do not, check your connections and make sure the TV is on the correct channel. If there is no disc in the DVD player, "no DISC" will appear on the display panel.

## 12 Hookups (cont'd)

### Connecting to a TV and an Amplifier with Coaxial Digital Audio In jacks, a Mini-Disc Deck or a Digital Audio Tape Deck

- Use a coaxial digital audio cable or an audio optical cable (not supplied) for this connection.
- If you use the OPTICAL jack, remove the protective cap.
- If the Disc is recorded in 5.1 channel Dolby Digital Surround, you cannot dub the Disc in digital sound using a Mini-Disc or Digital Audio Tape Deck.
- Set DOLBY DIGITAL and DTS to OFF on the DVD Player. *Details are on pages 38-39.* If you play a DVD when the settings are wrong, the sound will be distorted or you may damage the speakers.



1

Connect a coaxial digital audio cable to the **COAXIAL** jack on the **DVD Player** and to the **COAXIAL DIGITAL AUDIO IN** jack on the **Amplifier**. (Or, you may connect an audio optical cable to the **OPTICAL** jack on the DVD Player and to the **OPTICAL DIGITAL AUDIO IN** jack on the Amplifier.)

2

Connect the supplied yellow video cable to the yellow **VIDEO OUT** jack on the **DVD Player** and to the **VIDEO IN** jack on the **TV**. (Or, you may connect an optional component video cable to the **COMPONENT VIDEO OUT** jacks on the DVD Player and to the **COMPONENT VIDEO IN** jacks on the TV. Or, you may connect an optional S-Video cable to the **S-VIDEO OUT** jack on the DVD Player and to the **S-VIDEO IN** jack on the TV.)

3

Plug in the **Amplifier's** power cord. Turn on the **Amplifier** and select the **Auxiliary IN** station. During Disc playback, you will adjust the volume at the Amplifier. See your Amplifier owner's manual for details.

4

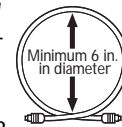
Plug in the **TV's** power cord. Turn on the **TV** and set it to the correct **Video In** channel. During Audio CD playback, you may check the status of the Disc on your TV screen. During DVD playback, you will watch the program on the TV. See your TV owner's manual for details.

5

Plug in the **DVD Player's** power cord. Press the **POWER** button to turn on the **DVD Player**. "HELLO" will appear briefly on the DVD Player's display panel. You should see the DVD logo on the TV briefly. If you do not, check your connections and make sure the TV is on the correct channel. If there is no disc in the DVD player, "no DISC" will appear on the display panel.

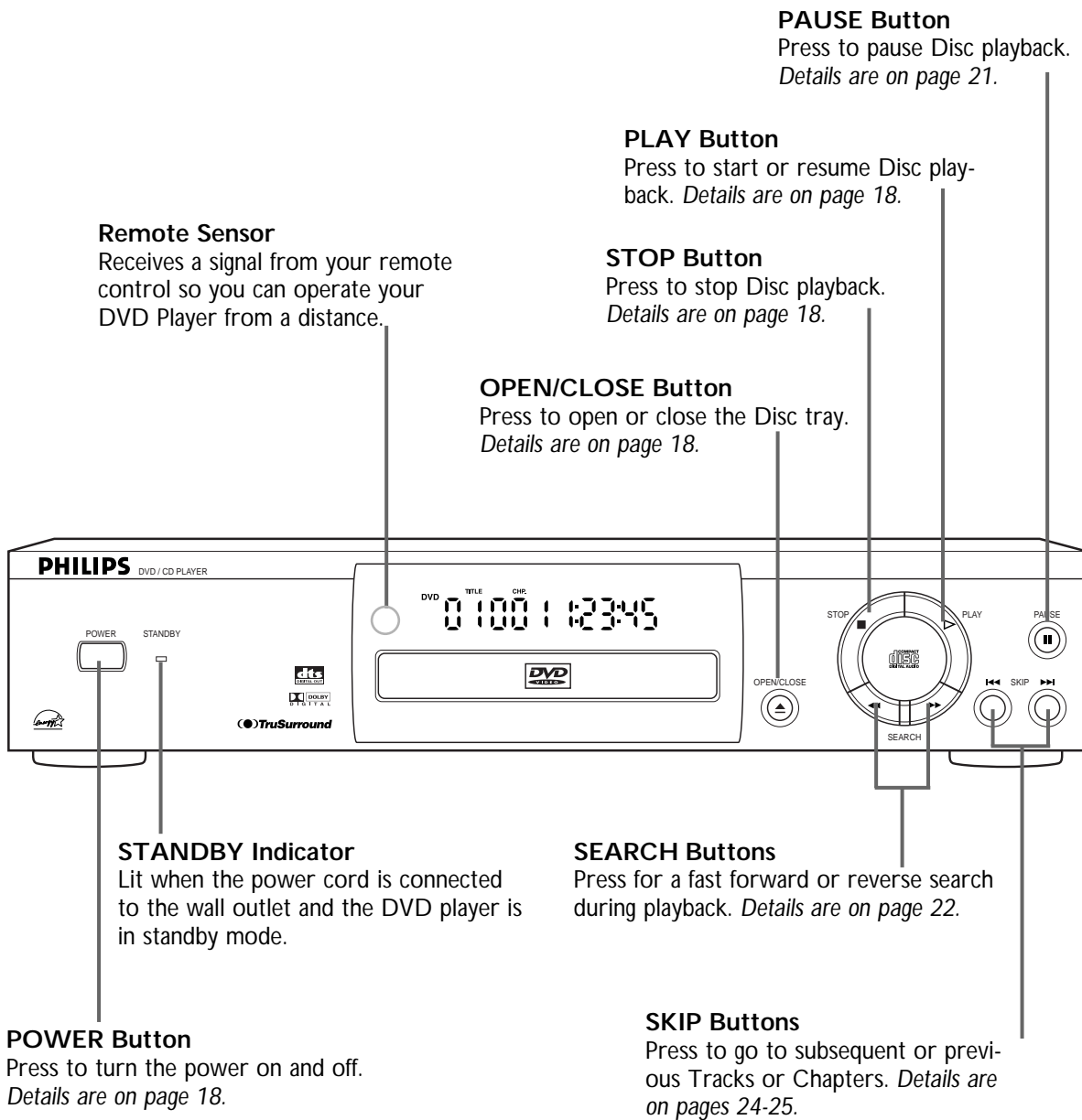
#### Helpful Hints

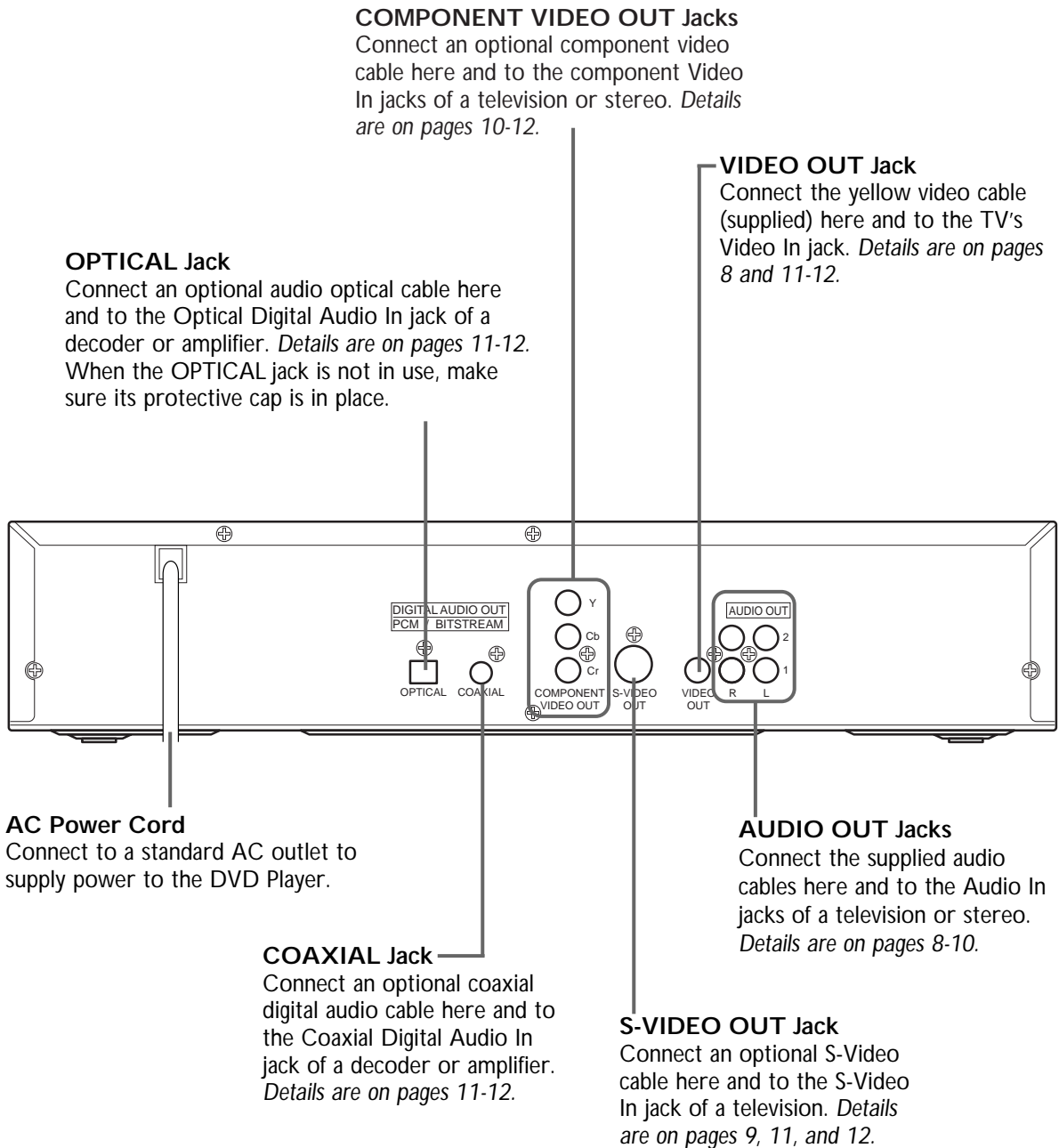
- Optical cable (not supplied) may be damaged when bent at acute angles. Ensure cables are coiled in loops with a diameter of 6 inches or more when storing them.
- Use a cable which is 9.8 feet or shorter.
- Insert cable plugs firmly into the jacks when making connections.
- If a plug has minor scratches or is dirty, clean it with a soft cloth before inserting it into a jack.
- Replace the protective cap on the **OPTICAL** jack when it is not in use.



## 14 Front Panel

---





### Helpful Hint

- You only need one audio connection and one video connection, so you will not have a cable connected to every jack. For example, if you are using the S-VIDEO OUT jack, you will not use the yellow VIDEO OUT jack or the COMPONENT VIDEO OUT jacks.



## Free Manuals Download Website

<http://myh66.com>

<http://usermanuals.us>

<http://www.somanuals.com>

<http://www.4manuals.cc>

<http://www.manual-lib.com>

<http://www.404manual.com>

<http://www.luxmanual.com>

<http://aubethermostatmanual.com>

Golf course search by state

<http://golfingnear.com>

Email search by domain

<http://emailbydomain.com>

Auto manuals search

<http://auto.somanuals.com>

TV manuals search

<http://tv.somanuals.com>