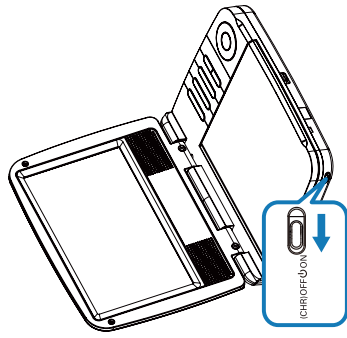


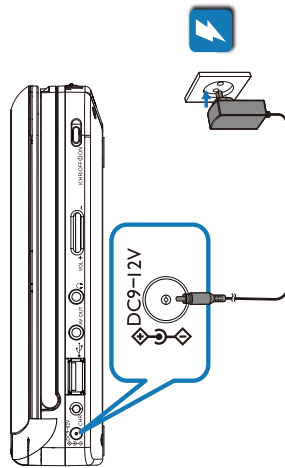
1



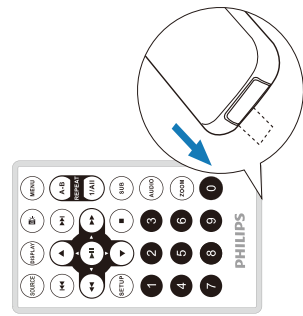
1

- Charging of the DVD player only possible in the power-off mode.

2



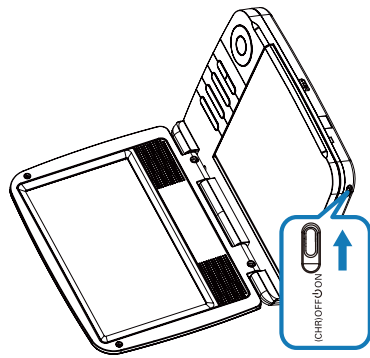
3



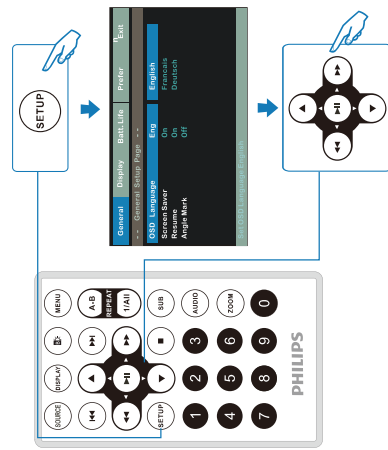
2



1



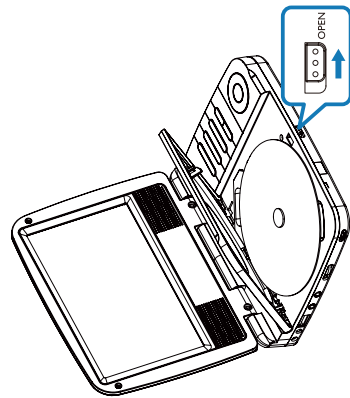
2



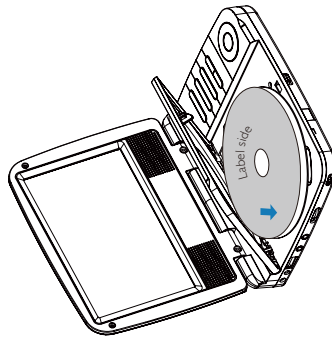
3



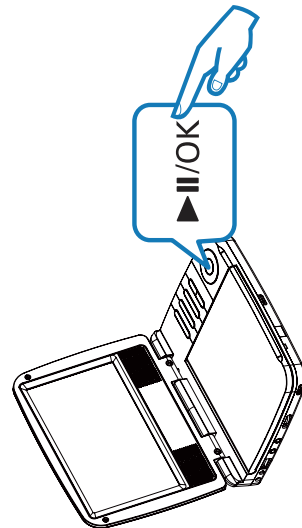
1



2

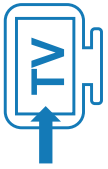


3

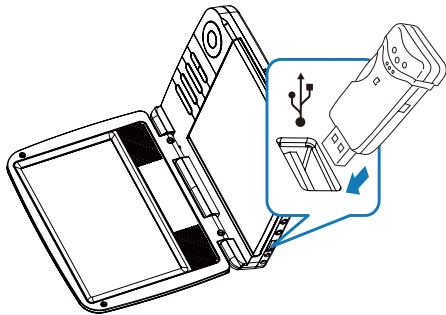




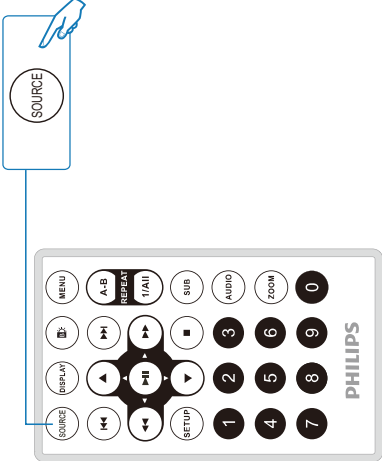
5



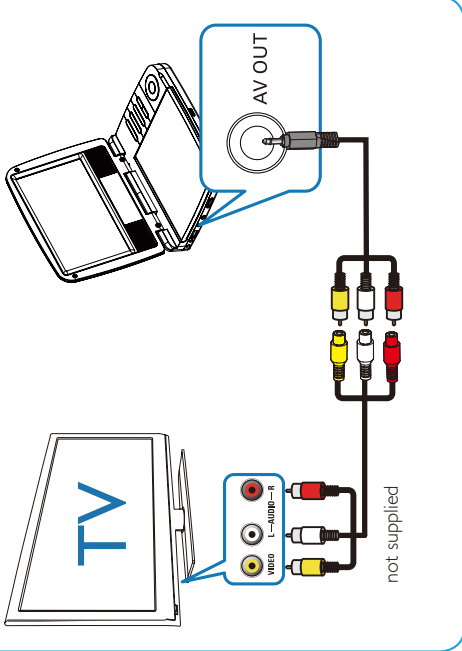
1




2



3



4



- This player plays/views DivX, VOB, MP3, or JPEG files that are stored on USB devices.



 Be responsible  
Respect copyrights

© 2009 Koninklijke Philips Electronics N.V.  
All rights reserved.



## Free Manuals Download Website

<http://myh66.com>

<http://usermanuals.us>

<http://www.somanuals.com>

<http://www.4manuals.cc>

<http://www.manual-lib.com>

<http://www.404manual.com>

<http://www.luxmanual.com>

<http://aubethermostatmanual.com>

Golf course search by state

<http://golfingnear.com>

Email search by domain

<http://emailbydomain.com>

Auto manuals search

<http://auto.somanuals.com>

TV manuals search

<http://tv.somanuals.com>