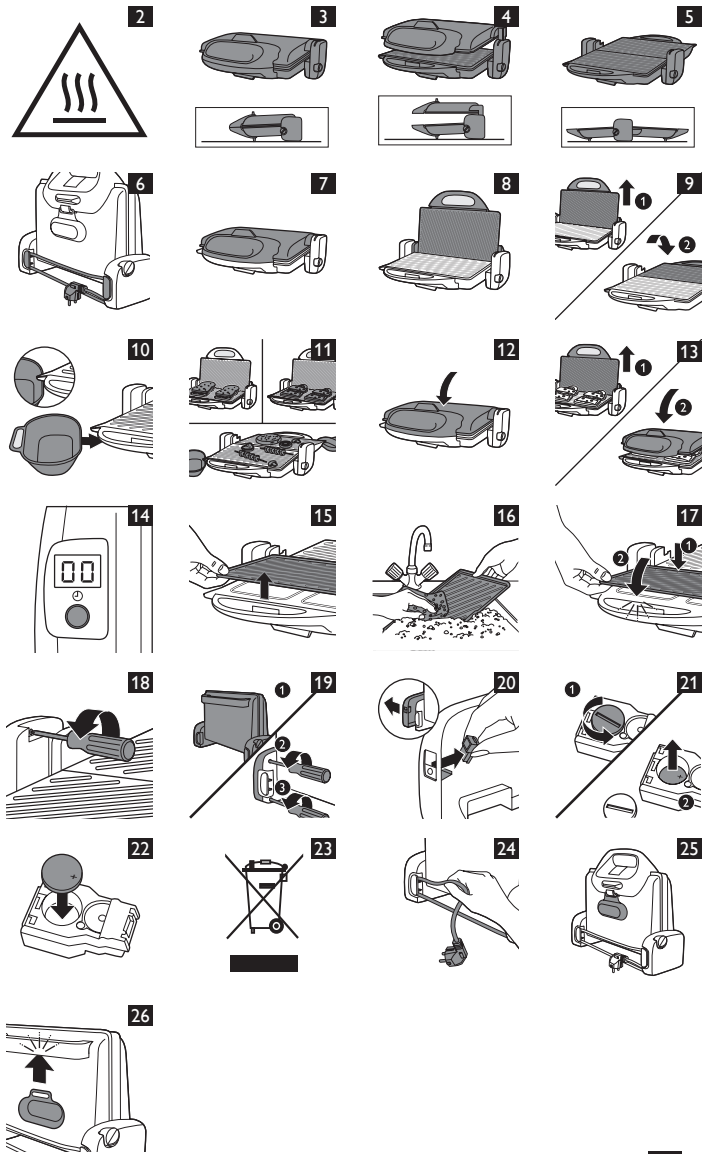


Always here to help you

Register your product and get support at
www.philips.com/welcome

Question?
Contact
Philips

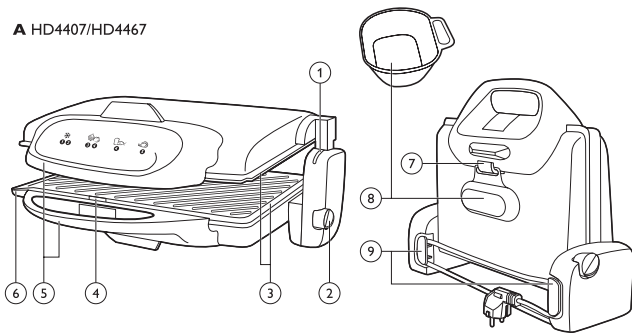
HD4469
HD4467
HD4408
HD4407



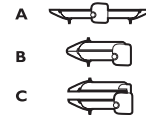
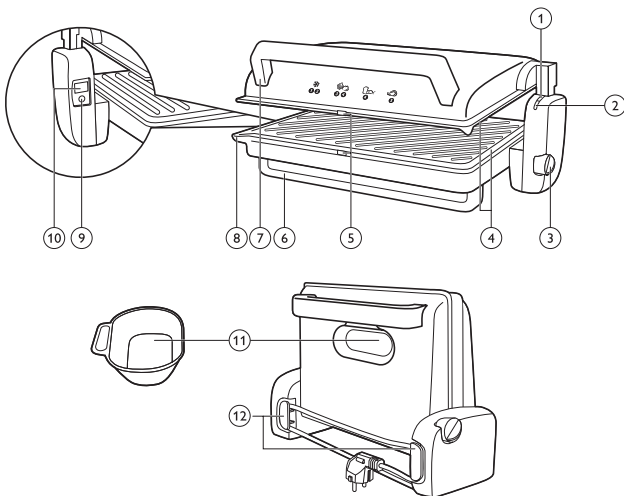
User manual

PHILIPS

A HD4407/HD4467



B HD4408/HD4469



| Food Item | Setting | Time (Min) | Temperature (°C) |
|-----------|---------|------------|------------------|
| ❄️ → 🌧️ | B | 10-14 | 1-2 |
| 🍏 🍊 🍌 | C | 12-16 ↻3x | 1-2 |
| 🍞 🥞 🥓 | A B | 3-5 | 3-4 |
| 🍷 🍷 🍷 | C | 3-5 | 3-4 |
| 🐟 🐟 | A B | 3-5 | 3-4 |
| 🐟 🐟 | A | 4-6 | 4 |
| 🥞 | B C | 3-5 | 4 |
| 🥞 🍰 | B | 3-4 | 4 |
| 🍣 🍣 🐟 | B | 4-6 | 4-5 |
| 🍷 | A B | 3-4 | 4-5 |
| 🍷 🍷 🐔 | A B | 8-13 | 4-5 |
| 🍷 | A B | 9-12 | 4-5 |
| 🍷 | B | 6-8 | 4-5 |
| 🍷 🐘 | B | 4-6 | 4-5 |
| 🍷 🐘 | A B | 4-8 | 5 |
| 🍷 🍷 | A B | 7-9 | 5 |



www.philips.com

100% recycled paper
100% papier recyclé
4222.005.0435.2

Introduction

Congratulations on your purchase and welcome to Philips! To fully benefit from the support that Philips offers, register your product at www.philips.com/welcome.

General description (Fig. 1)

- A Grill (HD4407/HD4467 only)
- 1 Red temperature light
 - 2 Temperature control
 - 3 Grilling plates
 - 4 Fixing clips of grilling plates
 - 5 Cool-touch handgrips
 - 6 Drainage groove
 - 7 Storage hook for grease tray
 - 8 Grease tray
 - 9 Cord storage facility
- B Grill (HD4408/HD4469 only)
- 1 Red power-on light
 - 2 Green ready-to-cook light
 - 3 Temperature control
 - 4 Grilling plates
 - 5 Fixing clips of grilling plates
 - 6 Cool-touch bracket
 - 7 Cool-touch handgrip
 - 8 Drainage groove
 - 9 Timer button
 - 10 Timer display
 - 11 Grease tray
 - 12 Cord storage facility

Important

Read this user manual carefully before you use the appliance and save it for future reference.

Danger

- Do not immerse the appliance or the mains cord in water or any other liquid.

Warning

- Check if the voltage indicated on the appliance corresponds to the local mains voltage before you connect the appliance. Check the type plate on the appliance for information on voltage and wattage.
- If the mains cord is damaged, you must have it replaced by Philips, a service centre authorised by Philips or similarly qualified persons in order to avoid a hazard.
- This appliance can be used by children aged 8 or over and by persons with reduced physical, sensory or mental capabilities, or lack of experience and knowledge, provided they have been given supervision or instruction concerning use of the appliance by a person responsible of their safety.
- Children should be supervised to ensure that they do not play with the appliance.
- Keep the appliance and its mains cord out of the reach of children younger than 8 when the appliance is switched on or is cooling down.
- Keep the mains cord away from hot surfaces.
- Do not let the appliance operate unattended.

Caution

- Only connect the appliance to an earthed wall socket.
- Put the appliance on a flat, stable surface with sufficient free space around it.
- Always preheat the grilling plates before you put any food between them.
- The accessible surfaces may become hot when the appliance is operating (Fig. 2).
- Be careful of spattering fat when you grill fatty meat or sausages.
- Always turn the temperature control to 0 before you unplug the appliance.
- Always unplug the appliance after use.
- Always clean the appliance after use.
- Let the appliance cool down completely before you remove the grilling plates, clean the appliance or put it away.
- Never touch the grilling plates with sharp or abrasive items, as this damages the non-stick surface.
- Make sure you reassemble the grilling plates properly after you have removed them.
- This appliance is intended for normal household use only. It is not intended for use in environments such as staff kitchens of shops, offices, farms or other work environments. Nor is it intended to be used

by clients in hotels, motels, bed and breakfasts and other residential environments.

- This appliance is not intended to be operated by means of an external timer or a separate remote-control system.
- If the appliance is used improperly or for professional or semi-professional purposes or if it is not used according to the instructions in the user manual, the guarantee becomes invalid and Philips refuses any liability for damage caused.

Electromagnetic field (EMF)

This Philips appliance complies with all standards regarding electromagnetic fields (EMF). If handled properly and according to the instructions in this user manual, the appliance is safe to use based on scientific evidence available today.

Before first use

- 1 Remove the insert between the grilling plates and remove any stickers.
- 2 Wipe the outside of the appliance with a damp cloth.
- 3 Clean the grilling plates thoroughly (see chapter 'Cleaning').

Note: The appliance may produce some smoke when you use it for the first time. This is normal.

Using the appliance

Three grilling positions

- Contact grill position (Fig. 3)

This position is especially suitable for quick high-temperature grilling on both sides (rump steaks, hamburgers etc.) and for making toasted sandwiches or paninis.

Note: Both grilling plates are in contact with the food.

- Oven grill position (Fig. 4)

This is the ideal position to grill and cook au gratin at the same time. The oven grill position is also suitable for the preparation of all kinds of 'open' toasts, e.g. with egg, tomato, peppers and/or onion rings, covered with cheese.

Note: The upper grilling plate must not touch the food.

- Barbecue grill position (Fig. 5)

In this position, the grill offers a large grilling surface for the preparation of all kinds of snacks, such as shashlik, satay, vegetables, fruits etc.

- 1 Fully unwind the mains cord from the storage facility in the hinges of the appliance (Fig. 6).
- 2 Make sure the grill is closed. Then put the plug in the wall socket (Fig. 7).
 - ▶ HD4408/HD4469 only: The red power-on light goes on to indicate that the grill is connected to the mains.
- 3 Turn the temperature control to the temperature setting that is appropriate for the ingredients to be grilled. See the food table at the beginning of this booklet.
 - ▶ The red light indicates that the grill is heating up.

Never let the appliance operate unattended.

- 4 Let the appliance heat up.
 - HD4408/HD4469 only: Wait until the green ready-to-cook light goes on.
 - HD4407/HD4467 only: Wait until the red temperature light goes out.

- 5 Open the grill to put the ingredients on the grilling plate or plates.

Be careful: the grilling plates are hot.

- Contact grill and oven grill positions: open the grill halfway (Fig. 8).
- Barbecue grill position: open the grill halfway and pull the upper grilling plate up to its highest position (1). Then put the grill in open position (2) (Fig. 9).

- 6 Place the grease tray under the drainage groove to collect fat or juice. (Fig. 10)

- 7 Place the ingredients on the grilling plate or plates (Fig. 11).

For an optimal result, place the ingredients in the centre of the grilling plate or plates.

The grilling time depends on the type of ingredients, their thickness and your personal taste. See the food table at the beginning of this booklet for recommended grilling times.

Note: During the grilling process, the green ready-to-cook light goes out (HD4408/HD4469 only) or the temperature light goes on (HD4407/HD4467 only) from time to time to indicate that the grill is heating up to the preset temperature setting.

- Contact grill position and oven grill position: put the food in the middle of the lower grilling plate.
- Barbecue grill position: spread the food on top of the grilling surface. Turn the food from time to time with a wooden or plastic spatula.

8 Close the grill (only for contact grill and oven grill positions).

- Contact grill position: lower the upper grilling plate carefully onto the ingredients. The upper grilling plate now rests on the food. In this way, the food is grilled evenly on both sides (Fig. 12).
- Oven grill position: pull the upper grilling plate up to its highest position (1) and then put it in horizontal position (2). The upper grilling plate must not touch the food (Fig. 13).

9 Open the appliance when the required grilling time has elapsed (only for contact grill and oven grill positions).

10 Remove the food with a wooden or plastic spatula.

Do not use metal, sharp or abrasive kitchen utensils.

11 If you want to grill another batch of food, remove excess oil from the plates with a piece of kitchen paper.

12 Wait until the green ready-to-cook light goes on (HD4408/HD4469 only) or the temperature light goes out (HD4407/HD4467 only) before you put the food on the grilling plate or plates.

Timer (HD4408/HD4469 only)

The timer indicates the end of the grilling time, but does NOT switch off the appliance.

Note: You can also use the grill without setting the timer.

1 Press the timer button to set the grilling time in minutes. (Fig. 14)

- ▶ The set time becomes visible on the display.

2 Keep the button pressed to put the minutes forward quickly. Release the button once the required grilling time has been reached.

The maximum time that can be set is 99 minutes.

- ▶ Three seconds after you have set the grilling time, the timer starts to count down.

- ▶ While the timer counts down, the remaining grilling time flashes on the display. The last minute is displayed in seconds.

Note: You can erase the timer setting by pressing the timer button for 3 seconds (at the moment the time flashes) until '00' appears.

3 When the preset time has elapsed, you hear an audible signal. After 10 seconds, the audible signal is repeated. Press the timer button to stop the audible signal.

Grilling times

At the beginning of this booklet, you find a food table with ingredients you can prepare with the grill. The table gives indications of which temperature to select, how long the food has to be grilled and the appropriate position of the grill. The time necessary to preheat the appliance is not included in the indicated grilling time.

The actual grilling time and temperature depend on the type of food that is prepared (e.g. meat), its thickness and its temperature and also on your own taste. See also the indications on the grill.

Tips

- Lightly grease the food to be grilled (instead of the grilling plates) with a little butter or oil. This prevents excess butter or oil from smoking.
- The grill is unsuitable for grilling breadcrumbed food.
- Sausages tend to burst when you grill them. To prevent this, punch a few holes in them with a fork.
- For the best result, make sure the pieces of meat you use are not too thick (approx. 1.5cm).
- Fresh meat gives better grilling results than frozen or defrosted meat.
- When you prepare satay, chicken, pork or veal, first sear the meat at a high temperature (setting 5). Then set the temperature control one position lower and grill the food until it is done.
- If you want to defrost frozen food, put the appliance in the oven grill position, wrap the frozen food in aluminium foil. Set the temperature control to setting 1 or 2. The defrosting time depends on the weight of the food.

Cleaning

Never use abrasive cleaning agents and materials, as this damages the non-stick coating of the plates.

Never immerse the appliance in water.

1 Unplug the appliance and let it cool down.

2 Remove excess oil from the plates with a piece of kitchen paper before you remove the plates.

3 Remove the grilling plates (Fig. 15).

To remove the plates, press on the fixing clips on the appliance and then lift the plates out of the appliance.

4 Clean the grilling plates and the grease tray with a soft cloth or sponge in hot water with some washing-up liquid or in the dishwasher (Fig. 16).

Soak the grilling plates in hot water for five minutes with some washing-up liquid to remove residues. This loosens any caked food or grease.

5 Dry the grilling plates and reassemble them (Fig. 17).

- Put the appliance in the barbecue grill position.
- Place the rear edge of the grilling plates on the appliance (1). Lower the grilling plates onto the appliance and press them down under the fixing clip (2).

6 Clean the outside of the appliance with a damp cloth.

Replacement

Replacing the timer battery (HD4408/HD4469 only)

The battery lasts approximately two years in case of normal domestic use. This timer runs on 1 button-type L1131 (1.55V) lithium battery, which is generally available.

1 Put the appliance in barbecue grill position and remove the screw from the hinge (Fig. 18).

2 Close the appliance, turn it around and put it in upright position (1). Remove the top screw (2) and bottom screw (3) from the hinge (Fig. 19).

3 Remove the hinge cover from the hinge and take the timer out of the hinge cover (Fig. 20).

4 Open the battery compartment cover of the timer with a coin and remove the old battery. Dispose of the old battery (see chapter 'Environment') (Fig. 21).

5 Place the new battery in the battery compartment with the + pole facing the battery compartment cover (Fig. 22).

6 Place the battery compartment cover back onto the timer. Use a coin to fasten it again.

7 Insert the timer into the hinge cover and reattach the hinge cover to the hinge.

8 Insert and tighten the screws in reverse order. Start with the appliance in upright position and then put it in barbecue grill position.

Environment

- Do not throw away the appliance with the normal household waste at the end of its life, but hand it in at an official collection point for recycling. By doing this, you help to preserve the environment (Fig. 23).
- Non-rechargeable batteries contain substances that may pollute the environment. Do not throw away non-rechargeable batteries with the normal household waste, but dispose of them at an official collection point for batteries. Always remove the non-rechargeable battery before you discard and hand in the appliance at an official collection point.

Storage

1 Wind the mains cord around the storage facility in the hinges of the appliance. (Fig. 24)

2 Attach the grease tray to the bottom of the appliance.

- HD4407/HD4467 only: Hang the grease tray from the hook on the bottom of the appliance. (Fig. 25)
- HD4408/HD4469 only: Slide the grease tray under the bracket on the bottom of the appliance ('click') (Fig. 26).

3 Store the appliance in upright position in a safe and dry place.

Guarantee and service

If you need service or information or if you have a problem, please visit the Philips website at www.philips.com/support or contact the Philips Consumer Care Centre in your country. You find its phone number in the worldwide guarantee leaflet. If there is no Consumer Care Centre in your country, go to your local Philips dealer.

Food table (Fig. 27)

1 Food table

Въведение

Поздравления за вашата покупка и добре дошли във Philips! За да се възползвате изцяло от предлаганата от Philips поддръжка, регистрирайте продукта си на адрес www.philips.com/welcome.

Общо описание (фиг. 1)

- A Грил (само за HD4407/HD4467)
- 1 Червен светлинен индикатор за температура
- 2 Температурен регулатор
- 3 Плоча за печене
- 4 Щипки за закрепване на плочите за печене
- 5 Хладни дръжки
- 6 Канал за отцеждане
- 7 Скоба за окачване на тавичката за мазнина
- 8 Тавичка за мазнина
- 9 Приспособление за прибиране на кабела
- B Грил (само за HD4408/HD4469)
- 1 Червен светлинен индикатор за ел. захранване
- 2 Зелен светлинен индикатор за готовност за печене
- 3 Температурен регулатор
- 4 Плоча за печене
- 5 Щипки за закрепване на плочите за печене
- 6 Хладна конзола
- 7 Хладна дръжка
- 8 Канал за отцеждане
- 9 Бутон на таймера
- 10 Дисплей на таймера
- 11 Тавичка за мазнина
- 12 Приспособление за прибиране на кабела

Важно

Преди да използвате уреда, прочетете внимателно това ръководство за потребителя и го запазете за справка в бъдеще.

Опасност

- Не потапяйте уреда или захранващия кабел във вода или каквато и да е друга течност.

Предупреждение

- Преди да включите уреда в електрически контакт, проверете дали посоченото върху уреда напрежение отговаря на това на местната електрическа мрежа. Вижте информацията за напрежение и мощност, посочена на табелката с данни върху уреда.
- С оглед предотвратяване на опасност, при повреда в захранващия кабел той трябва да бъде сменен от Philips, оторизиран от Philips сервиз или квалифициран техник.
- Този уред може да се използва от деца на възраст 8 години и повече и от хора с намалени физически възприятия или умствени недостатъци както и без опит и познания, при условие че са под наблюдение или ако са били инструктирани от отговарящо за тяхната безопасност лице относно начина за използване на уреда.
- Нагледжайте децата, за да не си играят с уреда.
- Пазете уреда и захранващия кабел далече от достъп на деца под 8 години, когато уредът е включен или е оставен да изстива.
- Внимавайте кабелът да е далече от горещи повърхности.
- Не оставяйте уреда да работи без надзор.

Внимание

- Включвайте уреда само в заземен електрически контакт.
- Поставете уреда върху равна, стабилна повърхност с достатъчно свободно пространство около него.
- Винаги затопляйте предварително плочите за печене, преди да слагате храна между тях.
- Външните повърхности може да се нагорещят, докато уредът работи (фиг. 2).
- Внимавайте за пръски от мазнина, когато печете тлъсто месо или колбаси.
- Винаги нагласяйте температурния регулатор на 0, преди да изключите уреда от контакта.
- След употреба винаги изключвайте уреда от контакта.
- Винаги почиствайте уреда след употреба.
- Оставяйте уреда да изстине напълно, преди да сваляте плочите за печене, да почиствате уреда или да го прибирате.
- Никога не докосвайте плочите за печене с остри или абразивни предмети, тъй като това поврежда незазлепващото покритие.
- В случай че сте сваляли плочите за печене, проверете дали са монтирани отново добре, преди да използвате уреда.

- Този уред е предназначен само за обикновени битови цели. Той не е предназначен за използване на места, като кухни за персонала в магазини, офиси, ферми или други работни помещения, нито за използване от клиенти в хотели, мотели, места за нощуване и закуска и други жилищни помещения.
- Този уред не е предназначен за използване с външен таймер или отделна система за дистанционно управление.
- Ако уредът се използва неправилно или за професионални или полупрофесионални цели, както и ако се използва по начин, който не е в съответствие с указанията в ръководството за потребителя, гаранцията става невалидна и Philips не поема отговорност за каквито и да било причинени щети.

Електромагнитни излъчвания (EMF)

Този уред Philips е в съответствие с всички стандарти по отношение на електромагнитните излъчвания (EMF). Ако се употребява правилно и съобразно инструкциите в това ръководство за потребителя, уредът е безопасен за използване според наличните досега научни факти.

Преди първата употреба

- 1 Извадете вложката между плочите за печене и сваляте всички лепенки.
- 2 Избършете външността на уреда с влажна кърпа.
- 3 Почистете плочите за печене обстойно (вж. раздел "Почистване").

Забележка: Когато използвате уреда за първи път, от него може да се вдигне малко дим. Това е нормално.

Използване на уреда**Три положения за печене**

- Положение за контактното печене (фиг. 3)
- Това положение е особено удобно за бързо печене от двете страни при висока температура (рамстек, хамбургери и др.) и за печени сандвичи или панини.

Забележка: И двете плочи за печене са в контакт с храната.

- Положение за печене "фурна" (фиг. 4)
- Това е идеалното положение за печене и готвене на огретен едновременно. Положението за печене "фурна" е подходящо и за приготвяне на всички видове "открити" сандвичи, например с яйце, домати, чушки и/или кръгчета лук, покрити със сирене.

Забележка: Горната плоча за печене не трябва да се докосва до храната.

- Положение за печене "барбекю" (фиг. 5)
- В това положение грилът предлага голяма повърхност за печене за приготвянето на всички видове бързи храни, например шашлик, сатай, зеленчуци, плодове и др.

- 1 Развийте докрай захранващия кабел от приспособлението за прибирането му в пантите на уреда (фиг. 6).
- 2 Убедете се, че грилът е затворен. След това включете щепсела в контакта (фиг. 7).
 - ▶ Само за HD4408/HD4469: Червеният светлинен индикатор за ел. захранване светва, за да покаже, че грилът е включен в електрическата мрежа.
- 3 Завъртете регулатора на температурата на положение, съответстващо на съставките, които ще се пекат. Вж. таблицата на храните в началото на тази книжка.
 - ▶ Червеният светлинен индикатор показва, че грилът се загрева.

Никога не оставяйте уреда да работи без надзор.

4 Изчакайте уреда да се нагрее.

- Само за HD4408/HD4469: Изчакайте, докато светне зеленият светлинен индикатор за готовност за печене.
- Само за HD4407/HD4467: Изчакайте, докато угасне червеният светлинен индикатор.

5 Отворете грила, за да сложите продуктите върху плочата (или плочите) за печене.

Внимавайте - плочите за печене са горещи.

- Положения за контактното печене и печене "фурна": отворете грила до половината (фиг. 8).
- Положение за печене "барбекю": отворете грила до половината и издърпайте горната плоча за печене до най-високото ѝ положение (1). След това поставете грила в отворено положение (2) (фиг. 9).
- 6 Поставете тавичката за мазнина под канала за отцеждане, за да се събира мазнината или сокът. (фиг. 10)

7 Поставете съставките върху плочата или плочите за печене (фиг. 11).

За да постигнете оптимални резултати, поставяйте съставките в средата на плочата или плочите за печене. Времето за печене зависи от типа на съставките, дебелината им и личните вкусове. Вж. таблицата на храните в началото на тази книжка за препоръчаните времена на печене.

Забележка: По време на процеса на печене зеленият светлинен индикатор за готовност за печене (само за HD4408/HD4469) или светлинният температурен индикатор (само за HD4407/HD4467) от време на време угасват, за да покажат, че грилът се загрява до зададената температура.

- Положение за контактено печене и положение за печене "фурна": поставяйте храната в средата на долната плоча за печене.
- Положение за печене "барбекю": разстилайте храните върху повърхността за печене. От време на време обръщайте храните с дървена или пластмасова лопатка.

8 Затворете грила (само за положения за контактено печене и печене "фурна").

- Положение за "контактено печене": поставете горната плоча за печене внимателно върху съставките. Сега горната плоча за печене е върху храната. По този начин храната се пече равномерно и от двете страни (фиг. 12).
- Положение за печене "фурна": издърпайте горната плоча за печене до най-високото ѝ положение (1) и след това я поставете в хоризонтално положение (2). Горната плоча за печене не трябва да се допира до храната (фиг. 13).

9 Отворете уреда, когато изтече необходимото време за печене (само за положения за контактено печене и печене "фурна").

10 Изваждайте храната с дървена или пластмасова лопатка.

Не използвайте метални, остри или абразивни кухненски прибори.

11 Ако искате да печете следваща порция храна, отстранете с парче кухненска хартия излишната мазнина от плочите.

12 Изчакайте, докато зеленият светлинен индикатор за готовност светне (само за HD4408/HD4469) или докато температурният индикатор угасне (само за HD4407/HD4467), преди да поставите храната върху плочата или плочите за печене.

Таймер (само за HD4408/HD4469)

Таймерът показва края на времето за печене, но НЕ изключва уреда.

Забележка: Можете да използвате грила и без да задавате време с таймера.

1 Натиснете бутона на таймера, за да зададете времето за печене в минути. (фиг. 14)

- ▶ Времето за пържене се показва на дисплея.

2 Задръжте натиснат бутона, за да увеличите бързо броя на минутите. Отпуснете бутона, щом се покаже желаното време за печене.

Максималното време, което може да се зададе, е 99 минути.

- ▶ Три секунди след задаването на времето за печене таймерът започва обратно броене.
- ▶ Докато таймерът отброява, на дисплея мига оставащото време за печене. Последната минута се показва в секунди.

Забележка: Забележка: можете да изтриете настройката на таймера с натискане и задръжане на бутона му в продължение на 3 секунди (от момента, в който времето започне да мига), докато се появи "00".

3 Когато изтече предварително зададеното време, ще чуете звуков сигнал. След 10 секунди звуковият сигнал се повтаря. Натиснете бутона на таймера, за да спрете звуковите сигнали.

Времена за печене

В началото на тази книжка ще намерите таблица със храните, които можете да пригответе с този грил. В таблицата са дадени указания каква температура да избирате, колко време трябва да се пече храната и съответното положение на грила. Времето, необходимо за предварително загряване на уреда, не е включено в посоченото време на печене. Действителното време и температура зависят от типа на приготвяната храна (напр. месо), както и от нейната дебелина и температура, а също и от личния вкус. Вж. също указанията върху грила.

Съвети

- Намажете леко храната, която ще се пече (вместо плочите за печене), с малко масло или олио. Така излишното масло или олио няма да пуши.
- Този грил не е подходящ за печене на панирана храна.
- Колбасите могат да изгорят, когато ги печете. За да не допуснете това, пробийте с вилица няколко дупки по тях.
- За най-добър резултат гледайте парчетата месо, които използвате, да не са твърде дебели (прибл. 1,5 см).
- Прясното месо се изпича по-добре от замразеното или размразено месо.
- Когато пригответе сатай, пиле, свинско или телешко, първо запечете месото на висока температура (положение 5). След това задайте температурния регулатор на едно положение по-ниско и печете храната, докато стане готова.
- Ако искате да размразявате замразена храна, поставете уреда в положение за печене "фурна" и увийте замразената храна в алуминиево фолио. Задайте регулатора на температурата на положение 1 или 2. Времето за размразяване зависи от теглото на храната.

Почистване

Никога не използвайте абразивни миешки препарати и материали, тъй като това поврежда незалепащото покритие на плочите.

Никога не потапяйте уреда във вода.

1 Извадете щепсела от контакта и оставете уреда да изстине.

2 Отстранете с парче кухненска хартия излишната мазнина от плочите, преди да ги свалите.

3 Свалете плочите за печене (фиг. 15).

За да свалите плочите, натиснете щипките за закрепване на уреда и после повдигнете плочите извън уреда.

4 Мийте плочите за печене и тавичката за мазнина с мека кърпа или гъба в гореща вода с малко течен миешки препарат или в съдомиялна машина (фиг. 16).

Натопете плочите за печене в гореща вода за пет минути с малко миешки препарат, за да отстраните остатъците. С това спечената храна или мазнина ще омекне.

5 Подсушете плочите за печене и ги сглобете отново (фиг. 17).

- Поставете уреда в положение за печене "барбекю".
- Поставете задния ръб на тавичките за печене върху уреда (1). Свалете плочите за печене върху уреда и ги натиснете под щипката за закрепване (2).

6 Почистете външността на уреда с влажна кърпа.

Замяна

Замяна на батерията на таймера (само за HD4408/HD4469)

Батерията има живот от около две години при нормална употреба в домашни условия. Таймерът работи с 1 литиева батерия L1131 (1,55 V) тип "стотинка", каквито се продават на много места.

1 Поставете уреда в положение за печене "барбекю" и свалете винта от пантата (фиг. 18).

2 Затворете уреда, завъртете го и го поставете в изправено положение (1). Свалете горния винт (2) и долния винт (3) от пантата (фиг. 19).

3 Свалете капачката от пантата и извадете таймера от капачката на пантата (фиг. 20).

4 Отворете капачето на отделението на батерията на таймера с монета и извадете старата батерия. Изхвърлете старата батерия (вж. главата "Околна среда") (фиг. 21).

5 Поставете новата батерия в отделението на батерията, с полюса "+" към капачето на отделението за батерията (фиг. 22).

6 Поставете капачето на отделението за батерията отново на място върху таймера. С монета го завинтете отново.

7 Вкарайте таймера в капачката на пантата и поставете отново капачката върху пантата.

8 Вкарайте и затегнете винтовете в обратен ред. Започнете, докато уредът е в изправено положение, а после го поставете в положение "барбекю".

Опазване на околната среда

- След края на срока на експлоатация не изхвърляйте уреда заедно с нормалните битови отпадъци, а го предайте в официален пункт за събиране, където да бъде рециклиран. По този начин вие помагате за опазването на околната среда (фиг. 23).
- Обикновените батерии съдържат вещества, които могат да замърсят околната среда. Не изхвърляйте обикновени батерии заедно с битовите отпадъци, а ги предайте в специализиран пункт за събиране на батерии. Винаги изваждайте обикновената батерия, преди да изхвърлите уреда и да го предадете в официален пункт за отпадъци.

Съхранение

1 Навийте захранващия кабел около приспособлението за прибиране в пантите на уреда. (фиг. 24)

2 Закрепете тавичката за мазнина на дъното на уреда.

- Само за HD4407/HD4467: Окачете тавичката за мазнина на куката на дъното на уреда. (фиг. 25)
- Само за HD4408/HD4469: Плъзнете тавичката за мазнина под скобата на дъното на уреда (до щракване) (фиг. 26).

3 Съхранявайте уреда в изправено положение на безопасно и сухо място.

Гаранция и сервиз

Ако се нуждаете от сервизно обслужване или информация или имате проблем, посетете уеб сайта на Philips на адрес www.philips.com/support или се обърнете към Центъра за обслужване на клиенти на Philips във вашата страна. Телефонния му номер ще намерите в международната гаранционна карта. Ако във вашата страна няма Център за обслужване на клиенти, обърнете се към местния търговец на уреди на Philips.

Таблица на храните (фиг. 27)

1 Таблица на храните

ČEŠTINA

Úvod

Gratulujeme vám k zakoupení výrobku a vítáme vás ve světě výrobků Philips. Abyste mohli plně využít podpory, kterou Philips poskytuje, zaregistrujte svůj výrobek na webu www.philips.com/welcome.

Všeobecný popis (Obr. 1)

- A Gril (pouze u modelu HD4407/HD4467)
 - 1 Červená kontrolka teploty
 - 2 Řízení teploty
 - 3 Grilovací desky
 - 4 Upevňovací svorky grilovacích desek
 - 5 Rukojeť chladné na dotek
 - 6 Odkapávací drážka
 - 7 Háček pro uložení nádoby na tuk
 - 8 Nádobka na tuk
 - 9 Držák pro uložení kabelu
- B Gril (pouze u modelu HD4408/HD4469)
 - 1 Červená kontrolka zapnutí
 - 2 Zelená kontrolka připravenosti
 - 3 Řízení teploty
 - 4 Grilovací desky
 - 5 Upevňovací svorky grilovacích desek
 - 6 Tepelně izolovaný držák
 - 7 Tepelně izolované držadlo
 - 8 Odkapávací drážka
 - 9 Tlačítko časovače
 - 10 Displej časovače
 - 11 Nádobka na tuk
 - 12 Držák pro uložení kabelu

Důležité

Před použitím přístroje si pečlivě přečtěte tuto uživatelskou příručku a uschovejte ji pro budoucí použití.

Nebezpečí

- Přístroj a napájecí kabel neponořujte do vody či jiné kapaliny.

Upozornění

- Před připojením přístroje do napájení zkontrolujte, zda napětí uvedené na přístroji souhlasí s napětím v místní elektrické síti. Údaje o napětí a výkonu naleznete na výrobním štítku.

- Pokud je poškozen napájecí kabel, musí jeho výměnu provést společnost Philips, autorizovaný servis společnosti Philips nebo obdobně kvalifikovaní pracovníci, aby se předešlo možnému nebezpečí.
- Toto zařízení mohou používat děti starší 8 let a osoby se sníženými fyzickými, smyslovými nebo duševními schopnostmi nebo nedostatkem zkušeností a znalostí, pokud byly o používání přístroje předem poučeny nebo jsou pod dohledem osoby zodpovědné za jejich bezpečnost.
- Dohlédněte na to, aby si s přístrojem nehrály děti.
- Zařízení a jeho napájecí kabel uchovávejte mimo dosah dětí mladších 8 let, pokud je zařízení zapnuté nebo chladné.
- Napájecí kabel nenechávejte v blízkosti horkých povrchů.
- Přístroj nenechávejte v provozu bez dozoru.

Upozornění

- Přístroj připojujte výhradně do řádně uzemněných zásuvek.
- Přístroj umístěte na rovný a stabilní povrch a zajistěte, aby kolem něj byl dostatečný volný prostor.
- Před vložením potravin dbejte na to, aby byly grilovací desky vždy přehřáté.
- Přístupné povrchy mohou být během používání přístroje horké (Obr. 2).
- Při grilování tučného masa nebo uzenek dávejte pozor na vystřikující tuk.
- Před odpojením přístroje z napájení nastavte regulátor teploty vždy na 0.
- Po použití přístroj vždy odpojte z napájení.
- Po použití přístroj vždy vyčistěte.
- Před vyjmutím grilovacích desek, čištěním nebo uložením přístroje nechte přístroj zcela vychladnout.
- Grilovací desky se nikdy nedotýkejte ostrými ani abrazivními předměty, protože by mohlo dojít k poškození jejich nepřilnavého povrchu.
- Ujistěte se, že jste grilovací desky po vyjmutí správně složili.
- Tento přístroj je určen pouze pro běžné domácí používání. Není určen pro používání v prostředích, jako jsou kuchyňky pro personál obchodů, kanceláří nebo farem, nebo v jiných pracovních prostředích. Přístroje není určen ani pro používání klienty v hotelech, motelech, zařízeních poskytujících nocleh se snídaní a jiných ubytovacích zařízeních.
- Přístroj není určen k tomu, aby byl ovládán pomocí externího časovače nebo samostatného dálkového ovladače.
- Pokud by byl používán nesprávným způsobem, pro profesionální či poloprofesionální účely nebo v případě použití v rozporu s pokyny v této uživatelské příručce, pozbývá záruka platnosti a společnost Philips odmítá jakoukoliv zodpovědnost za způsobené škody.

Elektromagnetické pole (EMP)

Tento přístroj společnosti Philips odpovídá všem normám týkajícím se elektromagnetických polí (EMP). Pokud je správně používán v souladu s pokyny uvedenými v této uživatelské příručce, je jeho použití podle dosud dostupných vědeckých poznatků bezpečné.

Před prvním použitím

- 1** Vyjměte vložku umístěnou mezi grilovacími deskami a sejměte všechny nálepky.
- 2** Vnější povrch přístroje čistěte pouze navlhčeným hadříkem.
- 3** Grilovací desky čistěte důkladně (viz kapitola „Čištění“).

Poznámka: Při prvním použití přístroje z něj může unikat slabý kouř. Je to normální.

Použití přístroje

Tři grilovací polohy

- Kontaktní grilovací poloha (Obr. 3)
Tato poloha se hodí především pro rychlé grilování z obou stran při vysokých teplotách (rumpsteaky, hamburgery atd.) a pro přípravu zapékaných sendvičů nebo panini.

Poznámka: Obě grilovací desky jsou v kontaktu s potravinami.

- Troubová grilovací poloha (Obr. 4)
Tato poloha je ideální, pokud chcete potraviny současně grilovat i gratinovat. Troubová grilovací poloha je rovněž vhodná pro přípravu všech druhů „otevřených“ toastů, např. s vejcem, rajčetem, paprikami a/nebo cibulových kroužků se sýrem.

Poznámka: Horní grilovací deska se nesmí dotýkat potravin.

- Opékací grilovací poloha (Obr. 5)
V této poloze můžete využít velký grilovací povrch pro přípravu různých druhů přesnídávek, např. šašlíku, satay, zeleniny, ovoce atd.

- 1** Zcela rozviňte síťový kabel z držáku pro uložení kabelu umístěném v závěsech přístroje (Obr. 6).
- 2** Ujistěte se, že je gril zavřený. Poté zasuňte zástrčku do síťové zásuvky (Obr. 7).
- 3** Pouze u modelu HD4408/HD4469: Rozsvítí se červená kontrolka zapnutí oznamující, že je gril připojen k síti.

- 3** Otáčejte regulátorem teploty a nastavte teplotu vhodnou pro potraviny, které budete grilovat. Další informace najdete v tabulce pokrmů na začátku tohoto návodu.

► Červená kontrolka oznamuje, že se gril zahřívá.

Přístroj v provozu nenechávejte nikdy bez dozoru.

4 Nechte přístroj zahřát.

- Pouze u modelu HD4408/HD4469: Počkejte, až se rozsvítí zelená kontrolka připravenosti.
- Pouze u modelu HD4407/HD4467: Počkejte, až se rozsvítí červená kontrolka teploty.

5 Otevřete gril a vložte potraviny na grilovací desku nebo desky.

Pozor, grilovací desky jsou horké.

- V kontaktní a troubové poloze: otevřete gril do poloviny (Obr. 8).
- V opékací poloze: otevřete gril do poloviny a vytáhněte horní grilovací desku do nejvyšší polohy (1). Poté gril otevřete (2) (Obr. 9).

6 Umístěte nádobku na tuk pod odkapávací drážku, aby došlo k zachycení tuku nebo šťávy. (Obr. 10)

7 Položte potraviny na grilovací desku nebo desky (Obr. 11).

Abyste docílili optimálního výsledku, umístěte potraviny do středu grilovací desky nebo desek.

Doba grilování je závislá na typu potravin, jejich tloušťce a vaší osobní chuti. Informace o doporučených dobách grilování naleznete v tabulce pokrmů na začátku tohoto návodu.

Poznámka: Během grilování se zelená kontrolka připravenosti čas od času zhasíná (pouze u modelu HD4408/HD4469) nebo se rozsvěcuje kontrolka teploty (pouze u modelu HD4407/HD4467). Znamená to, že se gril zahřívá na nastavenou teplotu.

- V kontaktní grilovací poloze a v troubové grilovací poloze: položte potraviny na střed dolní grilovací desky.
- V opékací grilovací poloze: rozprostřete potraviny na horní část grilovacího povrchu. Potraviny občas otočte pomocí dřevěné nebo plastové obrabečky.

8 Zavřete gril (pouze v kontaktní a troubové grilovací poloze).

- V kontaktní grilovací poloze přibližujte horní grilovací desku opatrně k potravinám. Horní grilovací deska nyní leží na grilovaných potravinách. Tím dosáhnete rovnoměrného grilování obou stran potravin (Obr. 12).
- V troubové poloze: vytáhněte horní grilovací desku do nejvyšší polohy (1) a poté ji umístěte do horizontální polohy (2). Horní grilovací deska se nesmí dotýkat potravin (Obr. 13).

9 Po uplynutí požadované doby grilování otevřete přístroj (pouze v kontaktní a troubové grilovací poloze).

10 Vyměňte pokrm pomocí dřevěné nebo plastové obrabečky.

Nepoužívejte žádné kovové, ostré ani abrazivní kuchyňské náčiní.

11 Pokud chcete pokračovat v grilování dalších potravin, odstraňte případné zbytky oleje z desek papírovou utěrkou.

12 Před vložením potravin na grilovací desku nebo desky počkejte, až se rozsvítí zelená kontrolka připravenosti (pouze u modelu HD4408/HD4469) nebo až zhasne kontrolka teploty (pouze u modelu HD4407/HD4467).

Časovač (pouze u modelu HD4408/HD4469)

Časovač upozorní na konec grilování, avšak NEVYPNE přístroj.

Poznámka: Gril můžete použít i bez nastavení časovače.

1 Stisknutím tlačítka časovače nastavte dobu grilování v minutách. (Obr. 14)

► Nastavený čas se zobrazí na displeji.

2 Podržíte-li tlačítko stisknuté, budou se minuty měnit rychleji. Jakmile bude dosaženo požadované doby grilování, tlačítko uvolněte.

Maximálně lze nastavit dobu 99 minut.

► Tři sekundy po nastavení doby grilování začne časovač odpočítávat čas.

► Během odpočítávání času bliká na displeji zbývajícím čas grilování. Poslední minuta je pak zobrazena v sekundách.

Poznámka: Nastavení časovače můžete smazat stisknutím tlačítka časovače na 3 sekundy (ve chvíli, kdy začne blikat), dokud se neobjeví hodnota 00.

3 Po uplynutí přednastaveného času zazní zvukový signál. Ten se po 10 sekundách opakuje. Stisknutím tlačítka časovače signál ukončíte.

Doba grilování

Na začátku tohoto návodu naleznete tabulku obsahující potraviny, které lze připravovat na tomto grilu. V tabulce jsou uvedeny informace o tom, jakou teplotu je třeba nastavit, jak dlouho je nutné potraviny grilovat a vhodné polohy grilu. Doba nutná k předeřhnutí přístroje není zahrnutá v uvedených dobách grilování.

Skutečná doba grilování a teplota jsou závislé na typu připravovaných potravin (např. masa), jejich tloušťce a teplotě a rovněž na vaší chuti. Můžete rovněž použít informace uvedené na grilu.

Tipy

- Potřete potraviny, které budete grilovat, trochou másla nebo oleje (místo potřetí grilovacích desek). Zabráníte tím kouření, které způsobuje přebytké množství másla nebo oleje.
- Gril není vhodný pro grilování potravin obalených ve strouhance.
- Uzenky mají při grilování sklon praskat. Abyste tomu předešli, propíchněte je na několika místech vidličkou.
- Chcete-li dosáhnout co nejlepších výsledků, dbejte na to, aby připravované kusky masa nebyly příliš tlusté (asi 1,5 cm).
- S čerstvým masem dosáhnete lepších výsledků než s mraženým či rozmraženým masem.
- Při přípravě satej, kuřecího, vepřového nebo telecího masa maso nejprve prudce opečte při vysoké teplotě (nastavení 5). Potom nastavte regulátor teploty o jednu polohu níž a grilujte maso, dokud není hotové.
- Chcete-li rozmrazit zmražené jídlo, zabalte jej do hliníkové fólie a umístěte přístroj do troubové grilovací polohy. Nastavte regulátor teploty do polohy 1 nebo 2. Doba rozmrazování závisí na hmotnosti jídla.

Čištění

Nikdy nepoužívejte abrazivní čisticí prostředky nebo materiály, neboť poškozují nepřilnavý povrch desek.

Nikdy neponožte přístroj do vody.

1 Přístroj odpojte od sítě a nechte ho vychladnout.

2 Než desky vyjmete, nejprve otřete papírovou utěrkou zbytky oleje.

3 Vyměňte grilovací desky (Obr. 15).

Chcete-li desky vyjmout, stiskněte upevňovací svorky na zařízení a poté desky zvedněte a vytáhněte je ze zařízení.

4 Měkkým hadříkem nebo houbou vyčistěte grilovací desky a nádobku na tuk v horké vodě s přidávkou mycího prostředku nebo v myčce (Obr. 16).

Namočte grilovací desky na pět minut do horké vody s přidávkou mycího prostředku, abyste odstranili zbytky potravin. Tím se uvolní zaschlé jídlo a mastnota.

5 Grilovací desky vysušte a vraťte je zpět (Obr. 17).

- Umístěte přístroj do opékací grilovací polohy.
- Umístěte zadní hranu grilovacích desek na přístroj (1). Spouštějte grilovací desky na přístroj a zatlačte je směrem dolů pod upevňovací svorky (2).

6 Vnější povrch přístroje čistěte navlhčeným hadříkem.

Výměna

Výměna baterie časovače (pouze u modelu HD4408/HD4469)

Baterie vydrží přibližně dva roky v případě normálního domácího použití. Tento přístroj využívá 1 lithiovou knoflíkovou baterii typu L1131 (1,55V), která je běžně k dostání.

1 Umístěte přístroj do opékací grilovací polohy a odstraňte šroub ze závěsu (Obr. 18).

2 Přístroj uzavřete, otočte jej a umístěte do svislé polohy (1). Vyměňte horní šroub (2) a dolní šroub (3) ze závěsu (Obr. 19).

3 Sejměte ze závěsu kryt závěsu a vyjměte z krytu závěsu časovač (Obr. 20).

4 Pomocí mince otevřete kryt přihrádky na baterii časovače a vyjměte starou baterii. Starou baterii zlikvidujte (viz kapitola „Ochrana životního prostředí“) (Obr. 21).

5 Vložte novou baterii do přihrádky na baterii tak, aby kladný pól směřoval ke krytu přihrádky na baterii (Obr. 22).

6 Umístěte kryt přihrádky na baterii zpět na časovač. Pomocí mince jej opět utáhněte.

7 Vložte časovač do krytu závěsu a znovu připojte kryt závěsu k závěsu.

- 8** Vložte a utáhněte šrouby v obráceném pořadí. Začněte s přístrojem ve svislé poloze a poté umístěte přístroj do opěkáci grilovací polohy.

Životní prostředí

- Až přístroj doslouží, nevyhazujte jej do běžného komunálního odpadu, ale odevzdejte jej do sběrný určené pro recyklaci. Pomůžete tím chránit životní prostředí (Obr. 23).
- Baterie bez možnosti nabíjení obsahují látky, které mohou škodit životnímu prostředí. Nelikvidujte baterie bez možnosti nabíjení spolu s běžným komunálním odpadem, ale odevzdejte je na oficiálním sběrném místě pro baterie. Před likvidací přístroje a jeho odevzdáním na oficiálním sběrném místě nejprve baterie bez možnosti nabíjení vyjměte.

Skladování

- 1** Síťový kabel oviňte okolo držáku pro uložení kabelu umístěném v závěsech přístroje. (Obr. 24)
- 2** Připevněte nádobku na tuk ke spodní části přístroje.
 - Pouze u modelu HD4407/HD4467: Zavěste nádobku na tuk na hák ve spodní části přístroje. (Obr. 25)
 - Pouze u modelu HD4408/HD4469: Zasuňte nádobku na tuk pod držák ve spodní části přístroje (ozve se „klapnutí“) (Obr. 26).
- 3** Zařízení skladujte ve svislé poloze na bezpečném a suchém místě.

Záruka a servis

Pokud potřebujete servis a informace nebo pokud dojde k potížím s výrobkem, navštivte web společnosti Philips www.philips.com/support, nebo se obraťte na středisko péče o zákazníky společnosti Philips ve své zemi. Příslušné telefonní číslo najdete v záručním listu s celosvětovou platností. Pokud se ve vaší zemi středisko péče o zákazníky nenachází, kontaktujte místního dodavatele výrobků Philips.

Tabulka pokrmů (Obr. 27)

- 1** Tabulka pokrmů

HRVATSKI

Uvod

Čestitamo na kupnji i dobro došli u Philips! Kako biste u potpunosti iskoristili podršku koju nudi tvrtka Philips, registrirajte svoj proizvod na: www.philips.com/welcome.

Opći opis (Sl. 1)

- A Roštilj (samo HD4407/HD4467)
- 1 Crveni indikator temperature
 - 2 Kontrola temperature
 - 3 Grijače ploče
 - 4 Kopče za pričvršćivanje grijačih ploča
 - 5 Ručke koje se ne zagrijavaju tijekom rada
 - 6 Odvodni žlijeb
 - 7 Kukica za spremanje pladnja za masnoću
 - 8 Pladanj za masnoću
 - 9 Držač za kabel
- B Roštilj (samo HD4408/HD4469)
- 1 Crveni indikator napajanja
 - 2 Zeleni indikator spremnosti
 - 3 Kontrola temperature
 - 4 Grijače ploče
 - 5 Kopče za pričvršćivanje grijačih ploča
 - 6 Nosač koji se ne zagrijava
 - 7 Drška koja se ne zagrijava
 - 8 Odvodni žlijeb
 - 9 Gumb timera
 - 10 Zaslon timera
 - 11 Pladanj za masnoću
 - 12 Držač za kabel

Važno

Prije korištenja aparata pažljivo pročitajte ovaj korisnički priručnik i spremite ga za buduće potrebe.

Opasnost

- Nikada ne uranjajte aparat ili mrežni kabel u vodu ili neku drugu tekućinu.

Upozorenje

- Prije ukopčavanja aparata provjerite odgovara li mrežni napon naveden na aparatu naponu lokalne mreže. Informacije o naponu i snazi potražite na pločici s oznakom na aparatu.

- Ako se kabel za napajanje ošteti, mora ga zamijeniti tvrtka Philips, ovlaštenu Philips servisni centar ili neka druga kvalificirana osoba kako bi se izbjegle potencijalno opasne situacije.
- Ovaj aparat mogu koristiti djeca iznad 8 godina starosti i osobe sa smanjenim fizičkim ili mentalnim sposobnostima te osobe koje nemaju dovoljno iskustva i znanja, pod uvjetom da ih osoba odgovorna za njihovu sigurnost nadzire ili uputi u korištenje aparata.
- Malu djecu potrebno je nadzirati kako se ne bi igrala s aparatom.
- Aparat i kabel za napajanje držite izvan dosega djece ispod 8 godina starosti dok je aparat uključen ili se hladi.
- Kabel za napajanje držite podalje od vrućih površina.
- Ne ostavljajte aparat da radi bez nadzora.

Opres

- Aparat priključite samo u uzemljenu zidnu utičnicu.
- Aparat stavite na ravnu, stabilnu površinu uz dovoljno slobodnog prostora oko njega.
- Ploče obavezno zagrijte prije stavljanja bilo kakve hrane na njih.
- Dostupne površine aparata mogu postati vruće tijekom rada aparata (Sl. 2).
- Pazite na prskanje ulja tijekom pečenja masnog mesa ili kobasica.
- Prije iskopčavanja aparata obavezno okrenite regulator temperature na 0.
- Nakon korištenja aparat iskopčajte.
- Aparat uvijek očistite nakon uporabe.
- Prije uklanja grijačih ploča, čišćenja ili spremanja aparata ostavite ga da se potpuno ohladi.
- Nikad ne dodirujte grijače ploče oštirim ili abrazivnim predmetima jer to može oštetiti sloj koji onemogućuje lijepljenje hrane.
- Provjerite jeste li ispravno pričvrstili grijače ploče nakon odvajanja.
- Ovaj aparat namijenjen je isključivo uobičajenoj uporabi u kućanstvu. Nije namijenjen korištenju u okruženjima poput kuhinja za osoblje u trgovinama, uredima, na farmama ili u drugim radnim okruženjima. Nije namijenjen ni korištenju od strane gostiju u hotelima, motelima, prenoćištima ili drugim vrstama smještaja.
- Ovaj aparat nije namijenjen korištenju u kombinaciji s vanjskim timerom ili zasebnim sustavom za daljinsko upravljanje.
- Ako se aparat nepravilno koristi, ako se koristi za profesionalne ili poluprofessionalne svrhe ili ako se ne koristi u skladu s uputama u korisničkom priručniku, jamstvo prestaje vrijediti, a tvrtka Philips neće biti odgovorna za nastalu štetu.

Elektromagnetsko polje (EMF)

Ovaj proizvod tvrtke Philips sukladan je svim standardima koji se tiču elektromagnetskih polja (EMF). Ako aparatom rukujete pravilno i u skladu s ovim uputama, prema dostupnim znanstvenim dokazima on će biti siguran za korištenje.

Prije prvog korištenja

- 1** Uklonite umetak između ploča roštilja i uklonite sve naljepnice, ako postoje.
- 2** Vanjske dijelove aparata obrišite vlažnom krpom.
- 3** Temeljito očistite ploče roštilja (pogledajte poglavlje "Čišćenje").

Napomena: Prilikom prvog korištenja možda ćete primijetiti malo dima, no to je normalno.

Korištenje aparata

Tri položaja za pečenje

- Preklapljene ploče roštilja (Sl. 3)
- Ovaj položaj iznimno je pogodan za brzo pečenje na visokoj temperaturi s obje strane (odresci, hamburgeri itd.) i za pripremanje tostiranih sendviča ili panini peciva.

Napomena: Objje ploče roštilja dolaze u kontakt s hranom.

- Položaj roštilja u pećnici (Sl. 4)
- To je idealan položaj za pečenje i istovremeno kuhanje, odnosno gratiniranje. Položaj pećnice služi i za pripremu svih vrsta "otvorenih" tostiranih sendviča, primjerice s jajima, rajčicom, paprikama i/ili kolutića luka sa sirom.

Napomena: Gornja ploča ne smije doći u dodir sa hranom.

- Položaj roštilja (Sl. 5)
- U ovom položaju roštilj za pripremu hrane nudi veliku površinu za pečenje za pripremu svih vrsta zakuski, poput čevapa, ražnjića, povrća, voća i slično.

- 1** Potpuno odmotajte kabel napajanja iz pretinca za spremanje u aparatu (Sl. 6).
 - 2** Zatvorite roštilj. Nakon toga uključite priključak u zidnu utičnicu (Sl. 7).
- ▶ Samo HD4408/HD4469: Uključuje se crveni indikator koji naznačava da je roštilj priključen u napajanje.

3 Podesite temperaturu na onu koja odgovara sastojcima koje pečete.

Pogledajte tablicu hrane na početku ovih uputa.

- ▶ Crveni indikator naznačava da se roštilj zagrijava.

Aparat nikad ne smije raditi bez nadzora.

4 Ostavite aparat da se zagrije.

- Samo HD4408/HD4469: Pričekajte da se uključi zeleni indikator spremnosti.
- Samo HD4407/HD4467: Pričekajte da se isključi crveni indikator temperature.

5 Otvorite roštilj i poslažite namirnice na ploču ili ploče roštilja.

Budite oprezni: grijače ploče su vruće.

- Položaj preklopljenih grijaćih ploča i položaj pećnice: roštilj otvorite do pola (Sl. 8).
- Položaj za roštilj: roštilj otvorite do pola i povucite gornju grijaću ploču u najviši položaj (1). Nakon toga stavite roštilj u otvoreni položaj (2) (Sl. 9).

6 Ispod odvodnog žlijeba postavite pladanj za masnoću koji će prikupiti masnoću i sokove. (Sl. 10)

7 Stavite hranu na grijaću ploču ili ploče (Sl. 11).

Za optimalne rezultate sastojke stavite na sredinu grijaće ploče ili ploča. Vrijeme pečenja ovisi o vrsti sastojaka, njihovoj debljini i vašem osobnom ukusu. Pogledajte tablicu hrane na početku ovih uputa koja sadrži preporučeno vrijeme pečenja.

Napomena: Tijekom postupka pečenja zeleni indikator spremnosti se isključuje (samo HD4408/HD4469) ili se povremeno uključuje indikator temperature (samo HD4407/HD4467), što znači da se roštilj zagrijava na prethodno postavljenu postavku temperature.

- Položaj preklopljenih grijaćih ploča i pećnice: stavite hranu na sredinu donje grijaće ploče.
- Položaj za roštilj: raširite hranu po površini za pečenje. Hranu povremeno okrećite pomoću drvene ili plastične lopatice.

8 Zatvorite roštilj (jedino za položaj preklopljenih grijaćih ploča i položaj pećnice).

- Položaj preklopljenih grijaćih ploča: pažljivo spustite gornju grijaću ploču na hranu. Ostavite je na hrani. Na taj način, hrana se ravnomjerno peče s obje strane (Sl. 12).
- Položaj pećnice: povucite gornju grijaću ploču u njen najviši položaj (1), a zatim u vodoravan položaj (2). Gornja grijaća ploča ne smije doći u dodir sa hranom (Sl. 13).

9 Otvorite aparat po isteku potrebnog vremena pečenja (jedino za položaj preklopljenih grijaćih ploča i položaj pećnice).

10 Skinite hranu s roštilja pomoću drvene ili plastične lopatice.

Nemojte koristiti metalni, oštri ili abrazivni kuhinjski pribor.

11 Ako želite nastaviti s pečenjem, kuhinjskim papirom uklonite višak ulja s pladnjeva.

12 Prije postavljanja namirnica na ploču ili ploče roštilja pričekajte da se uključi zeleni indikator spremnosti (samo HD4408/HD4469) ili da se isključi indikator temperature (samo HD4407/HD4467).

Timer (samo HD4408/HD4469)

Timer označava kraj pripreme, ali NE isključuje aparat.

Napomena: Roštilj možete koristiti i bez postavljanja timera.

1 Pritisnite gumb timera kako biste namjestili vrijeme pečenja u minutama. (Sl. 14)

- ▶ Postavljeno vrijeme vidjet će se na zaslonu.

2 Držite gumb pritisnutim kako biste brže pomicali minute. Kada postavite željeno vrijeme pečenja, otpustite gumb.

Maksimalno vrijeme koje se može postaviti je 99 minuta.

- ▶ Nekoliko sekundi nakon unosa vremena pečenja, timer će započeti odbrojanje.
- ▶ Tijekom odbrojanja preostalo vrijeme pečenja treperi na zaslonu. Posljednja minuta prikazuje se u sekundama.

Napomena: Postavku timera možete izbrisati pritiskom na gumb timera u trajanju od 3 sekunde (u trenutku kada vrijeme zatreperi) dok se ne pojavi '00'.

3 Kada istekne podešeno vrijeme, začut ćete zvučni signal. Nakon 10 sekundi zvučni signal se ponavlja. Za isključivanje signala pritisnite gumb timera.

Vrijeme pečenja

Na početku ovih uputa možete pronaći tablicu hrane koju možete pripremiti na roštilju. Tablica prikazuje koju temperaturu trebate odabrati,

koliko dugo se hrana mora peći i odgovarajući položaj roštilja. Vrijeme potrebno za prethodno zagrijavanje aparata nije uključeno u naznačeno vrijeme pečenja.

Stvarno vrijeme pečenja i temperatura ovisi o vrsti hrane koju pripremate (npr. meso), njezinoj debljini i temperaturi te o vašem ukusu. Pogledajte i upute na roštilju.

Savjeti

- Namastite hranu koju ćete peći (a ne ploče roštilja) s malo maslaca ili ulja. Time se sprečava dimljenje viška maslaca ili ulja.
- Roštilj nije pogodan pečenju panirane hrane.
- Kobasice mogu puknuti tijekom pečenja. Kako se to ne bi dogodilo, vilicom izbušite nekoliko rupica na njima.
- Za najbolje rezultate, nemojte stavljati predebele komade mesa (otprilike 1,5 cm).
- Svježe meso se bolje peče od zamrznutog ili odmrznutog.
- Ako pripremate ražnjiće, piletinu, svinjetinu ili teletinu, prvo ispržite meso pri visokoj temperaturi (postavka 5). Zatim postavite regulator temperature na jedan položaj niže i pečite hranu dok ne bude gotova.
- Ako želite odmrznuti zamrznutu hranu, stavite aparat u položaj pećnice i zamotajte hranu u aluminijsku foliju. Postavite regulator temperature na postavku 1 ili 2. Vrijeme odmrzavanja ovisi o težini hrane.

Čišćenje

Nikad nemojte koristiti abrazivna sredstva i materijale za čišćenje jer mogu oštetiti sloj na pločama koji onemogućuje lijepljenje hrane.

Aparat nikada ne uranjajte u vodu.

1 Isključite aparat iz napajanja i ostavite ga da se ohladi.

2 Prije čišćenja kuhinjskim papirom uklonite višak ulja s grijaćih ploča.

3 Uklonite grijaće ploče (Sl. 15).

Za skidanje ploča, pritisnite pričvršne kopče aparata i podignite ploče kako biste ih izvadili iz aparata.

4 Očistite grijaće ploče i pladanj za masnoću mekom krpom ili spužvicom u toploj vodi s malo sredstva za pranje posuđa ili u stroju za pranje posuđa (Sl. 16).

Kako biste uklonili ostatke hrane, pet minuta namačite ploču za pečenje u toploj vodi s malo sredstva za čišćenje. To će odvojiti zagorjelu hranu ili masnoću od ploče.

5 Osušite grijaće ploče i ponovo ih postavite (Sl. 17).

- Aparat stavite u položaj za roštilj.
- Postavite stražnji kraj grijaćih ploča na aparat (1). Spustite grijaće ploče na aparat i pritisnite ih ispod kopče za pričvršćivanje (2).

6 Vanjske dijelove aparata obrišite vlažnom krpom.

Zamjena dijelova

Zamjena baterije timera (samo HD4408/HD4469)

Baterija traje približno dvije godine kada se normalno koristi u kućanstvu. Timer pokreće 1 mala okrugla L1131 (1,55 V) litijska baterija koja ima široku primjenu.

1 Roštilj stavite u položaj za roštilj i izvadite vijak iz šarke (Sl. 18).

2 Zatvorite aparat, preokrenite ga i postavite u uspravan položaj (1). Izvadite gornji (2) i donji vijak (3) iz šarke (Sl. 19).

3 Skinite poklopac šarke i izvadite timer iz poklopca (Sl. 20).

4 Otvorite odjeljak za bateriju timera pomoću novčića i izvadite staru bateriju. Odložite staru bateriju (pogledajte poglavlje "Zaštita okoliša") (Sl. 21).

5 Novu bateriju stavite u odjeljak za bateriju tako da pol + bude okrenut prema poklopcu odjeljka za bateriju (Sl. 22).

6 Vratite poklopac odjeljka za bateriju na timer. Poklopac pričvrstite pomoću novčića.

7 Timer umetnite u poklopac šarke, a poklopac vratite na šarku.

8 Vijke umetnite i zategnite obrnutim redoslijedom. Vijke počnite umetati dok je roštilj u uspravnom položaju, a zatim ga stavite u položaj za roštilj.

Zaštita okoliša

- Aparat koji se više ne može koristiti nemojte odlagati s uobičajenim otpadom iz kućanstva, nego ga odnesite u predviđeno odlagalište na recikliranje. Time ćete pridonijeti očuvanju okoliša (Sl. 23).
- Baterije koje se ne mogu puniti sadrže tvari koje mogu zagaditi okoliš. Prazne baterije koje se ne mogu puniti nemojte bacati s normalnim kućnim otpadom, nego ih odložite na službenom mjestu za odlaganje

baterija. Bateriju koja se ne može puniti obavezno izvadite prije no što predate aparat na službenom mjestu za prikupljanje otpada.

Spremanje

- 1** Namotajte kabel napajanja oko spremišta za kabel na aparatu. (Sl. 24)
- 2** Pričvrstite pladanj za masnoću za donji dio aparata.
 - Samo HD4407/HD4467: Pladanj za masnoću ovjesite o kukicu na donjem dijelu aparata. (Sl. 25)
 - Samo HD4408/HD4469: Pomaknite pladanj za masnoću ispod nosača na donjem dijelu aparata (treba se čuti 'klik') (Sl. 26).
- 3** Aparat držite u uspravnom položaju na sigurnom i suhom mjestu.

Jamstvo i servis

Ako vam je potreban servis ili informacija, odnosno ako imate neki problem, posjetite web-stranicu tvrtke Philips, www.philips.com/support, ili se obratite centru za potrošače tvrtke Philips u svojoj državi. Broj telefona nalazi se u priloženom međunarodnom jamstvu. Ako u vašoj državi ne postoji centar za potrošače, obratite se lokalnom prodavaču proizvoda tvrtke Philips.

Tablica hrane (Sl. 27)

- 1** Tablica hrane

Free Manuals Download Website

<http://myh66.com>

<http://usermanuals.us>

<http://www.somanuals.com>

<http://www.4manuals.cc>

<http://www.manual-lib.com>

<http://www.404manual.com>

<http://www.luxmanual.com>

<http://aubethermostatmanual.com>

Golf course search by state

<http://golfingnear.com>

Email search by domain

<http://emailbydomain.com>

Auto manuals search

<http://auto.somanuals.com>

TV manuals search

<http://tv.somanuals.com>