

---

# INSTRUCTION MANUAL

---

## Plasma Swivel Stand (PSS-2000BR/SS)

The Plasma Swivel Stand (PSS-2000) is available in black (PSS-2000BR) or silver (PSS-2000SS) to securely mount your large flat panel display. A stylish solution for residential, commercial and business applications, the PSS-200 provides a wide variety of features for most table top installations.

Features include +/-45 degrees of swivel, free standing with bolt down capability for permanent installation or security, infinite height adjustment of 5" and two cable options for ease of installation. The PSS-2000 swivel feature offers optional stops at +/-15 degrees, 25 degrees or 35 degrees. The infinite height adjustment of 5" allows for different screen heights up to 32 inches and cables may extend from the back of the display or be routed through an access hole in the middle of the stand.

The PSS-2000 uses Chief's exclusive Q-Latch™ Mounting System for easy installation, stable mounting and quick release. A video conferencing shelf, aesthetic cover kit, and Q-clamps for added security are available.



### BEFORE YOU BEGIN

---

- **CAUTION:** To prevent damage to the stand, which could affect or void the Factory warranty, thoroughly study all instructions and illustrations before you begin to install or operate the unit. Pay particular attention to the "Important Precautions" on Page 1.
- The maximum weight to be installed on the PSS is 150 pounds (68.36 Kg)
- If you have any questions about this assembly, contact Chief Manufacturing at 1-800-582-6480 or 952-582-6480.



CHIEF MANUFACTURING INC.  
1-800-582-6480 952-894-6280 FAX 952-894-6918  
8401 EAGLE CREEK PARKWAY, STE. 700  
SAVAGE, MINNESOTA 55378 USA

PART NO. 8800-000039 (Rev. D)  
©2004 Chief Manufacturing  
[www.chiefmfg.com](http://www.chiefmfg.com)  
09-05



## IMPORTANT WARNINGS and CAUTIONS!

---

- WARNING:** A **WARNING** alerts you to the possibility of serious injury or death if you do not follow the instructions.
- CAUTION:** A **CAUTION** alerts you to the possibility of damage or destruction of equipment if you do not follow the corresponding instructions.
- **WARNING: Improper installation can result in serious personal injury! Make sure that the structural members can support a redundant weight factor *five times* the total weight of the equipment: if not, reinforce the structure before installing the table stand.**
  - **WARNING: Be aware also of the potential for personal injury or damage to the unit if it is not adequately mounted.**
  - **CAUTION:** Inspect the unit for shipping damage.
  - **CAUTION:** Do not use cleanser or harsh cleaning agents on displays.

## TOOLS REQUIRED FOR INSTALLATION

---

- Phillips screwdriver

**NOTE:** Other tools may be required depending on the method of installation.

## CONTENTS

---

INSPECT PARTS BEFORE ASSEMBLY .....	2
DISPLAY PREPARATION PROCEDURES .....	3
STAND ASSEMBLY PROCEDURES .....	3
DISPLAY INSTALLATION PROCEDURES ...	5
STAND ADJUSTMENT PROCEDURES .....	5
STAND ANCHORING PROCEDURES .....	6
CABLE MANAGEMENT .....	6

## INSPECT PARTS BEFORE ASSEMBLY

### Remove and Inspect the Stand

1. Open shipping container, remove unit from container, and remove wooden shipping base.
2. Carefully inspect the stand for shipping damage. If any damage is apparent, call your carrier claims agent and do not continue with the assembly procedure until the carrier has reviewed the damage.

**NOTE:** Read all assembly instructions before starting assembly.

3. Carefully inspect all components for damage (See table 1 and Figure 1).

**Table 1:**

Item #	Description	Quantity
10	Stand Assembly	1
20	Bumper, rubber	5
30	Wrench, Allen, 3/16"	1
40	Wrench, Allen, 5/32"	1
50	Template, paper (Not Shown)	1

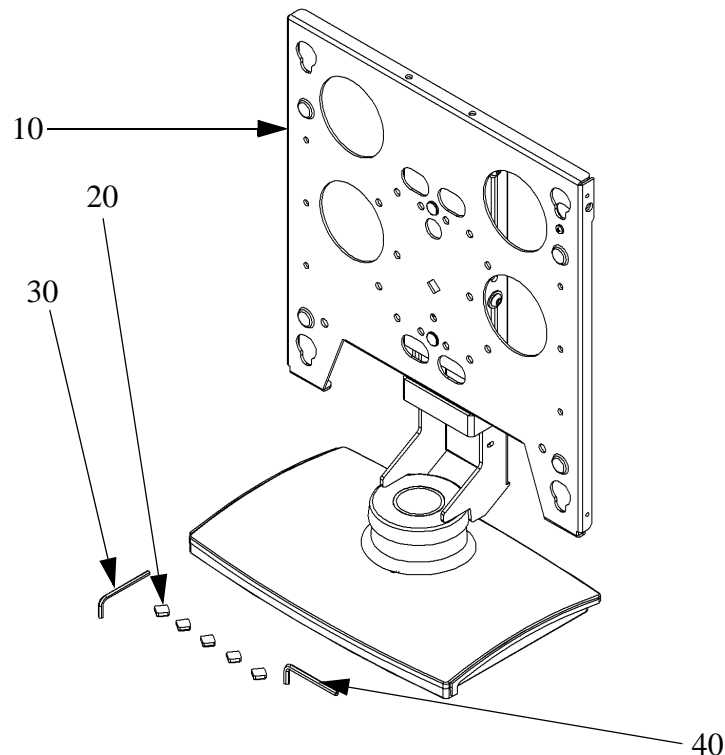


Figure 1. Parts

## DISPLAY PREPARATION PROCEDURES

Prepare the display for installation as follows:

1. Install the PSB bracket (shipped with the PSS) on your display according to the instructions included in PSB bracket package.

## STAND ASSEMBLY PROCEDURES

Free Standing (not anchored) Applications Only:

NOTE: Do not perform this step if you are going to anchor the stand to a surface.

1. Install five rubber bumpers on the bottom of the stand (see Figure 1).

Display Measuring 30 Inches or Smaller In Height:

NOTE: Stand comes assembled for displays 30" in height or less and lowered to its minimum height for shipment.

1. Loosen the four height adjustment screws and raise the slide to its maximum height (see Figure 2).
2. Secure the slide in place by tightening the four height adjustment screws.

Display Measuring More Than 30 Inches In Height:

1. Remove the slide from the base by removing four height adjustment screws (see Figure 3).
2. Remove the front plate from the slide by removing two nuts securing the front plate (see Figure 3).
3. Install the front plate in the upper mounting holes of slide and secure using the two nuts removed in the previous step (see Figure 4).
4. Install the slide on the base using the four height adjustment screws (see Figure 3).
5. Raise the slide to its maximum height (see Figure 2).
6. Secure the slide in place by tightening the four height adjustment screws.

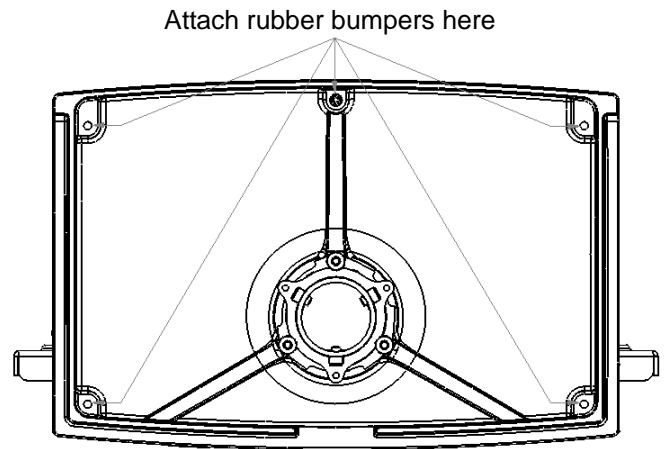


Figure 1. Free Standing Installations Only

Adjust height using these screws

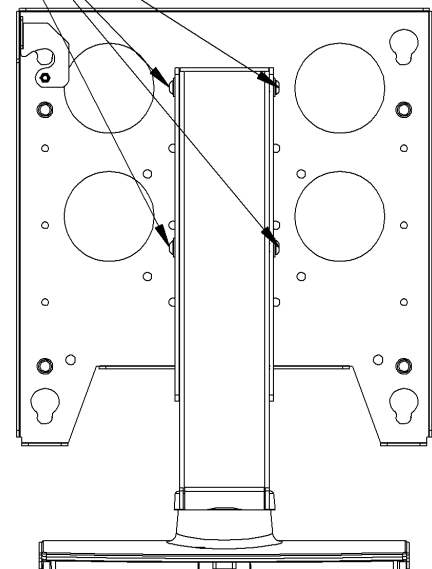


Figure 2. Height Adjustment

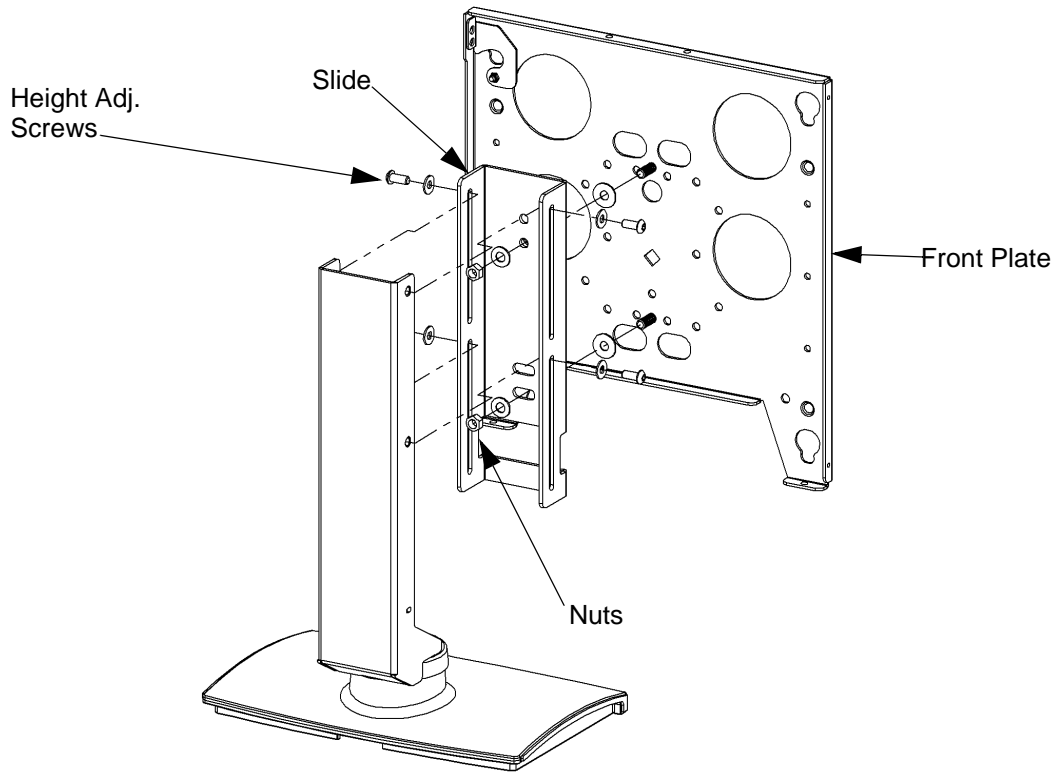


Figure 3. Stand Assembly

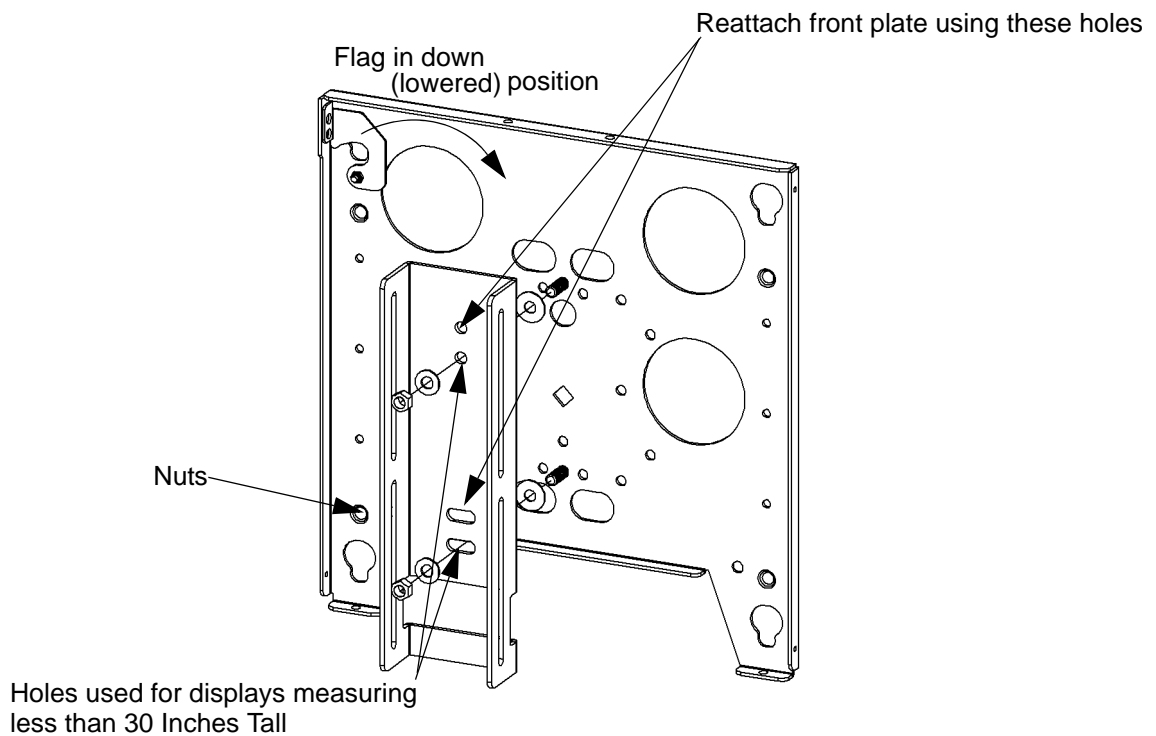


Figure 4. For displays Taller Than 30 Inches

## DISPLAY INSTALLATION PROCEDURES

Install the display as follows:

1. Make sure the latching flag of the stand is in the open (lowered) position (see Figure 4).
2. Align the mounting buttons of the PSB bracket, installed on your display, with the teardrop slots in the mounting plate of the stand.
3. Lower the display into place and raise the latching flag to secure the display. If the latching flag will not engage completely, the display is not properly mounted. Make sure the mounting buttons rest at the bottom of the teardrop slots.

## STAND ADJUSTMENT PROCEDURES

Adjust display height as follows:

**CAUTION:** Displays are fragile. Allowing the display to drop to the bottom of stand travel may result in damage to the display.

1. While holding the display in place, loosen the four height adjustment screws (see Figure 2).
2. Position the display to the desired height.
3. Tighten the four height adjustment screws (see Figure 2).

Adjust stand tension as follows:

1. With the display secured to the stand assembly, check swivel tension.
2. If tension adjustment is necessary, slightly tighten or loosen adjustment screws on stand assembly (see Figure 5).
3. Repeat Step 1 and Step 2 as necessary.

Adjust stand swivel stop as follows:

1. If desired, insert the 10-24 X 1/2" Phillips head cap screw in one of the three swivel stop holes (15, 25 or 35 degrees) in the base of the stand (see Figure 6).

Adjust swivel tension using these screws

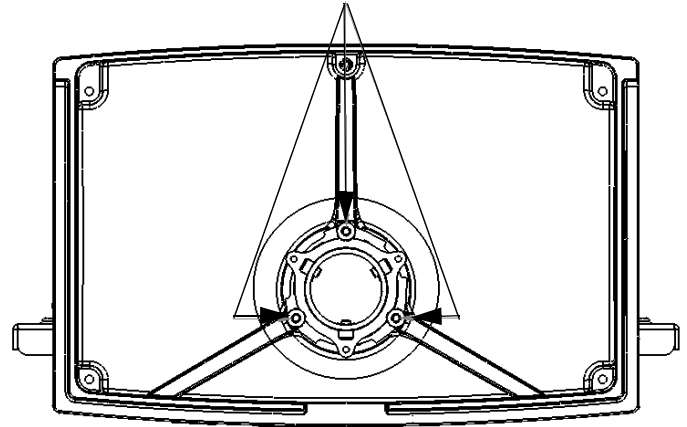


Figure 5. Tension Adjustment Screws

Select swivel stop by inserting 10-24 X 1/2" Phillips head screw in one of these holes

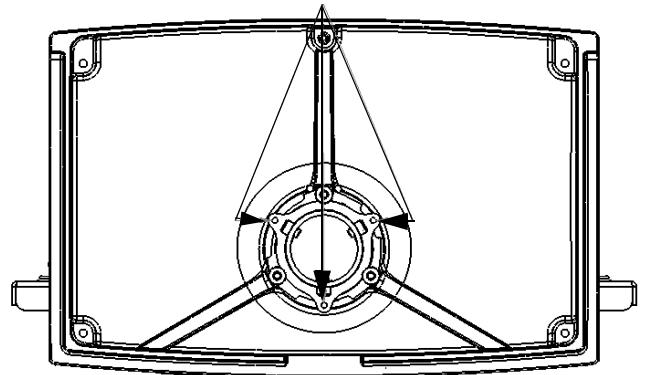


Figure 6. Swivel Stops (15, 25 or 35 Degrees)

## STAND ANCHORING PROCEDURES

NOTE: Due to the wide variety of anchoring options, hardware is not provided.

Anchor stand follows:

1. Select a suitable location for anchoring, allowing for room for swivel and access for cabling.
2. Using the template provided, drill anchoring holes for the four 1/4-20 X 1/2" tapped holes (see Figure 7).
3. If routing cables through mounting surface, Use the template provided and drill the cable access hole in the mounting surface.

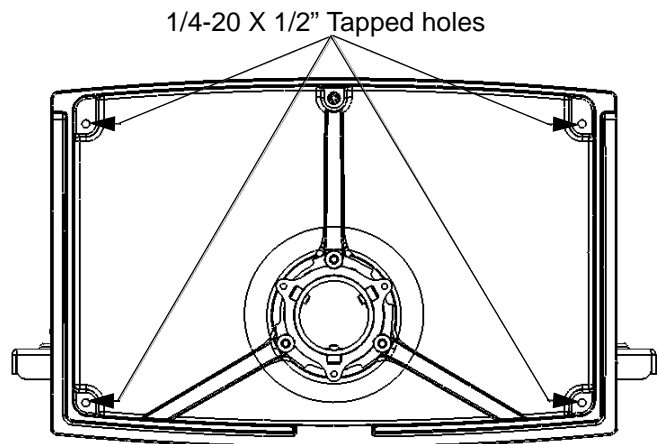


Figure 7. Anchoring Hole Locations

## CABLE MANAGEMENT

Install cables as follows:

1. Attach cabling to flat panel display.
2. Route cables in one of three ways:
  - a. down the back of the display (open),
  - b. through the center post of the stand and out the bottom of the stand in the back,
  - c. through the center post of the stand and through a hole in the mounting surface.

## Free Manuals Download Website

<http://myh66.com>

<http://usermanuals.us>

<http://www.somanuals.com>

<http://www.4manuals.cc>

<http://www.manual-lib.com>

<http://www.404manual.com>

<http://www.luxmanual.com>

<http://aubethermostatmanual.com>

Golf course search by state

<http://golfingnear.com>

Email search by domain

<http://emailbydomain.com>

Auto manuals search

<http://auto.somanuals.com>

TV manuals search

<http://tv.somanuals.com>