

### Module Ordering Information

Family	Series	Track	Length	Shielding	Lamps	Finish	Options
<b>A</b>	<b>1</b>	<b>A</b>		<b>C</b>			
		A = Track B = No Track	4 = 4-Foot 8 = 8-Foot 12 = 12-Foot	A = No Shield B = Solid Shield C = Perf Shield D = Lens Shield	28 = 28w 54 = 54w	WH = White AL = Aluminum	E1 = Emergency Pack, 120v E2 = Emergency Pack, 277v D1 = Dimming 120v D2 = Dimming 277v X5 = 5 Through Wires

Complete ordering instructions below.

### Features

- Housing:** Extruded aluminum housing in lengths of 4' (121.92cm), 8' (243.84cm) and 12' (365.76cm). There are no exposed fasteners. The end caps are die-cast aluminum sculpted and finished to match the housing.
- Lens:** Extruded clear acrylic linear prismatic lens.
- Reflector:** Die-formed high purity anodized specular aluminum.
- Lamping:** One T5 28W or 54W lamp per four-foot nominal length. Provided by others.
- Alignment Mechanism:** The housing and the end cap each have a draw tight mechanism that creates a hairline joint along and at the ends of the run. To operate the mechanism, the installer tightens two screws.
- Track Option:** The housing has the capability of having single circuit Lytespan® track fixtures for accent lighting. The track is an integral component of the housing. The fixture housing comes with a cover to conceal any portion of the track that doesn't have a track fixture installed. The cover can be cut to length in the field. There is an optional cover (ATC) that creates a nearly seamless transition from the fluorescent fixture to the track fixture.
- Shielding:** Die-formed 18 gauge perforated steel. Pattern has 0.117" (0.30cm) holes on 5/32" (0.40cm) centers and is 51% open. High reflectance white finish.

### Labels

UL, cUL and I.B.E.W.

### Finish

Powder coated baked white or silver enamel.  
Custom colors available, consult factory.

### Mountings

All mounting is on 48" (121.92cm), 96" (243.84cm) and 144" (365.76cm) centers.  
**Cable Suspension** (not shown) 4-1/2" (11.43cm) diameter flat canopy finished white enamel, 1/16" (0.16cm) diameter stainless steel aircraft cable adjustable up to 36" (91.44cm) and adjustable cable gripper. Cable mounting at the ends of a run is not available when track is being used. Installing stems at the ends of the run will prevent the fixture from hanging off center caused by the weight of the track fixture. Cable suspension can be used in the center of runs that have track installed. Consult factory for other options.  
**Stem Mounting** (not shown) - 4-1/2" (11.43cm) diameter flat canopy, 1/4" (0.64cm) IP 1/2" (1.27cm) OD stem. The stem can accommodate up to 2-12 gauge and 3-18 gauge solid wires. All components have a white finish.

### Electrical

Ballast is <10% THD, 1.0 ballast factor, program start. Color-coded quick connectors allow ease of connection for joiner modules. For special circuiting consult factory. Factory installed ballast disconnect allows the ballast to be disconnected from and reconnected to incoming power under load without turning the entire circuit off.  
**Dimming:** 120/277 VAC 1% dimming level, 4 or 5 wire feed required.  
**Emergency Battery Pack:** 28 watt: 520 lumens @ 90 minutes, 54 watt: 700 lumens @ 90 minutes.  
 There are two types of power feed end sets for the track option. One has a stem containing five solid wires and the other end set has one 5 wire and one 3 wire stem. Single power feed end sets allow for 16 amps of track fixtures per run while dual power feed end sets allow 32 amps per run.

### Ordering Instructions

#### Individual Fixtures:

- Order number of MODULES required.
- Order one POWER FEED END SET per MODULE.

#### Continuous Rows:

- Determine run length.
- Order the appropriate number of MODULES for the complete run.
- Order one POWER FEED END SET per run.
- Order one INTERMEDIATE SUSPENSION per MODULE minus one per run.
- For runs that exceed amperage limits, order the appropriate number of INTERMEDIATE POWER FEEDS.

### Job Information

### Type:

**Job Name:**

**Cat. No.:**

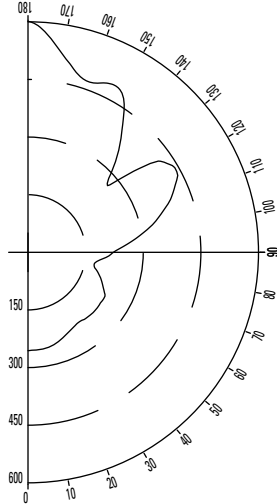
**Lamp(s):**

**Notes:**

631 Airport Road, Fall River, MA 02720 • (508) 679-8131 • Fax (508) 674-4710  
 We reserve the right to change details of design, materials and finish.  
 www.lightolier.com © 2008 Philips Group • C0908

### Performance

#### CANDLEPOWER CURVE



ZONE DEG.	CANDLEPOWER				
	0	22	45	67	90
180	601	601	601	601	601
175	592	594	582	582	570
165	521	513	480	486	485
155	431	414	393	444	486
145	345	321	337	417	434
135	261	237	264	298	316
125	183	159	153	271	414
115	144	94	283	401	424
105	78	105	280	344	352
95	19	115	207	256	262
90	7	98	174	201	222
85	58	104	155	175	195
75	107	132	151	175	186
65	144	158	187	215	216
55	181	182	206	228	230
45	208	208	210	227	230
35	230	231	224	225	225
25	244	246	241	239	236
15	253	254	253	252	250
5	257	257	256	256	255
0	256	256	256	256	256

REPORT NO: ITL50917  
 CAT NO: AIX4C54  
 LAMPS: 1-F54T5  
 LUMENS: 5000  
 EFFICIENCY: 58.7%

#### COEFFICIENTS OF UTILIZATION % EFFECTIVE CEILING CAVITY REFLECTANCE

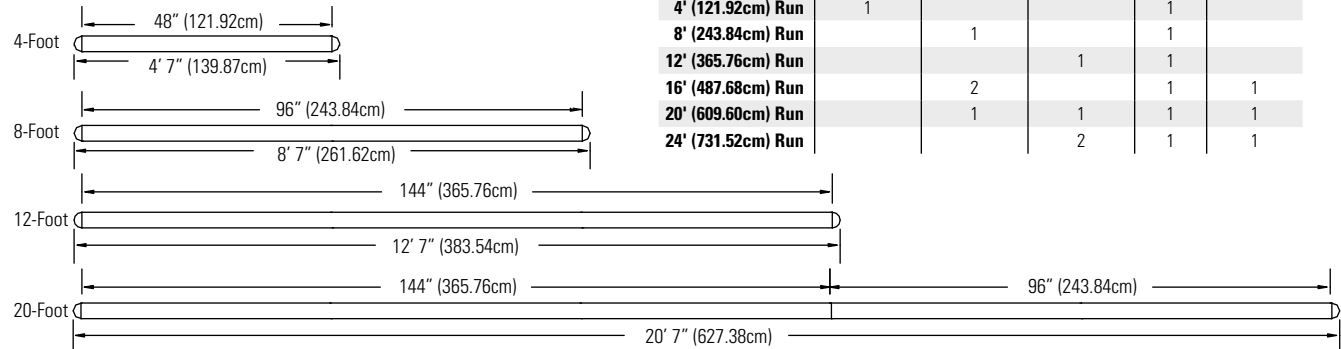
ROOM CAVITY RATIO	WALL REFLECTANCE								
	80			70			50		
	70	50	30	70	50	30	50	30	10
0	62	62	62	56	56	56	46	46	46
1	55	52	49	50	47	44	38	36	35
2	49	44	40	45	40	37	33	30	28
3	45	38	34	40	35	31	28	25	23
4	41	34	29	37	31	26	25	21	19
5	37	30	25	33	27	23	22	19	16
6	34	27	22	31	24	20	20	16	14
7	31	24	19	28	22	17	18	14	12
8	29	22	17	26	20	15	16	13	10
9	27	20	15	24	18	14	15	11	9
10	26	18	14	23	17	12	13	10	8

#### 20% FLOOR CAVITY REFLECTANCE

#### DISTRIBUTION

Zone	Lumens	% Lamp	% Luminaire
0-90	1198	24.0	41.0
90-180	1736	34.7	59.0
0-180	2934	58.7	100.0

### Fixture Lengths and Mounting Locations



	4' (121.92cm) Module	8' (243.84cm) Module	12' (365.76cm) Module	End Set	Suspension
4' (121.92cm) Run	1			1	
8' (243.84cm) Run		1		1	
12' (365.76cm) Run			1	1	
16' (487.68cm) Run		2		1	1
20' (609.60cm) Run		1	1	1	1
24' (731.52cm) Run			2	1	1

### Mounting Accessories

**A1TES24ALD** = Aluminum  
**A1TES24WHD** = White  
 Dual Power Feed End Set  
 5 Wires (2-12 ga., 3-18ga.) on One End  
 3 Wires (2-12 ga. 1-18ga.) on One End  
 24" (60.96cm) Stems for Track

**A1TES24ALS** = Aluminum  
**A1TES24WHS** = White  
 Single Power Feed End Set  
 5 Wires (2-12 ga., 3-18ga.) on One End  
 24" (60.96cm) Stems for Track

**ALS24**  
 Intermediate  
 24" (60.96cm) White Stem Set

**AC36**  
 Intermediate  
 36" (91.44cm) Cable Set

**ACC36X4**  
 Intermediate 36" (91.44cm)  
 Cable & 4 Wire 18 ga.  
 Cord Set for Fluorescent Only

**A1LAL** = Aluminum  
**A1LWH** = White  
 "L" Joiner Block

**A1TAL** = Aluminum  
**A1TWH** = White  
 "T" Joiner Block

**A1XAL** = Aluminum  
**A1XWH** = White  
 "X" Joiner Block

**A1LAL** = Aluminum  
**A1LWH** = White  
 Inline Joiner Block

**ATCAL** = Aluminum  
**ATCWH** = White  
 Track Adapter

### Job Information Type:

631 Airport Road, Fall River, MA 02720 • (508) 679-8131 • Fax (508) 674-4710  
 We reserve the right to change details of design, materials and finish.  
 www.lightolier.com © 2008 Philips Group • C0908

## Free Manuals Download Website

<http://myh66.com>

<http://usermanuals.us>

<http://www.somanuals.com>

<http://www.4manuals.cc>

<http://www.manual-lib.com>

<http://www.404manual.com>

<http://www.luxmanual.com>

<http://aubethermostatmanual.com>

Golf course search by state

<http://golfingnear.com>

Email search by domain

<http://emailbydomain.com>

Auto manuals search

<http://auto.somanuals.com>

TV manuals search

<http://tv.somanuals.com>