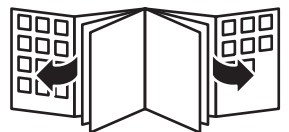


Register your product and get support at
www.philips.com/welcome

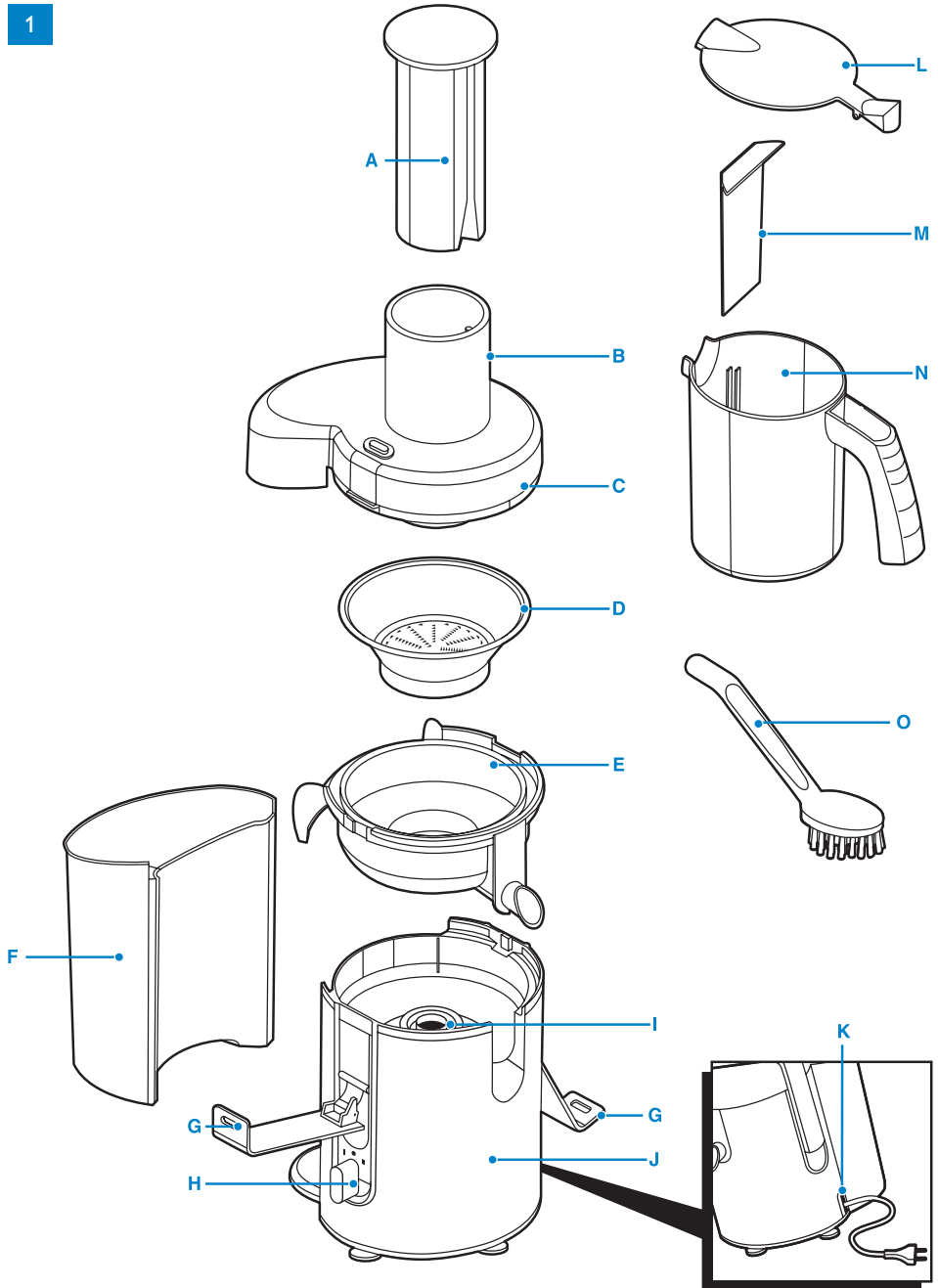
HR1861



PHILIPS



1



ENGLISH	6
БЪЛГАРСКИ	13
ČEŠTINA	21
EESTI	28
HRVATSKI	35
MAGYAR	42
ҚАЗАҚША	49
LIETUVIŠKAI	57
LATVIEŠU	64
POLSKI	71
ROMÂNĂ	79
РУССКИЙ	87
SLOVENSKY	95
SLOVENŠČINA	102
SRPSKI	109
УКРАЇНСЬКА	116

Introduction

Congratulations on your purchase and welcome to Philips! To fully benefit from the support that Philips offers, register your product at www.philips.com/welcome.

Your new juicer has a special, slightly tilted design that leans 5 ° to the side of the juice outflow opening to ensure maximum juice output.

General description (Fig. 1)

- A** Pusher
- B** Feeding tube
- C** Lid
- D** Filter
- E** Juice collector
- F** Pulp container
- G** Clamps
- H** Control knob
- I** Driving shaft
- J** Motor unit
- K** Cord storage
- L** Juice jug lid
- M** Foam separator
- N** Juice jug
- O** Cleaning brush

Important

Read this user manual carefully before you use the appliance and save it for future reference.

Danger

- Do not immerse the motor unit in water or any other liquid, nor rinse it under the tap.

Warning

- Check if the voltage indicated on the base of the appliance corresponds to the local mains voltage before you connect the appliance.
- Do not use the appliance if the plug, the mains cord or other components are damaged.
- If the mains cord is damaged, you must have it replaced by Philips, a service centre authorised by Philips or similarly qualified persons in order to avoid a hazard.
- This appliance is not intended for use by persons (including children) with reduced physical, sensory or mental capabilities, or lack of experience and knowledge, unless they have been given supervision or instruction concerning use of the appliance by a person responsible for their safety.
- Children should be supervised to ensure that they do not play with the appliance.
- Never let the appliance operate unattended.
- If you detect cracks in the filter or if the filter is damaged in any way, do not use the appliance anymore and contact the nearest Philips service centre.
- Never reach into the feeding tube with your fingers or an object while the appliance is running. Only use the pusher for this purpose.
- Do not touch the small cutting blades in the base of the filter. They are very sharp.

Caution

- This appliance is intended for household use only.
- Never use any accessories or parts from other manufacturers or that Philips does not specifically recommend. If you use such accessories or parts, your guarantee becomes invalid.
- Make sure all parts are correctly mounted before you switch on the appliance.

Download from Www.Somanuals.com. All Manuals Search And Download.

- Only use the appliance when both clamps are locked.
- Only unlock the clamps after you have switched off the appliance and the filter has stopped rotating.
- Do not operate the juicer for more than 40 seconds at a time when juicing heavy loads and let it cool down sufficiently afterwards. None of the recipes in this user manual constitute heavy loads.
- Do not remove the pulp container when the appliance is operating.
- Always unplug the appliance after use.

Electromagnetic fields (EMF)

This Philips appliance complies with all standards regarding electromagnetic fields (EMF). If handled properly and according to the instructions in this user manual, the appliance is safe to use based on scientific evidence available today.

Preparing for use

- 1 Wash all detachable parts (see chapter 'Cleaning').
- 2 Pull the mains cord out of the cord storage compartment at the back of the appliance (Fig. 2).
- 3 Place the juice collector into the appliance (1). Place the pulp container by tilting it forwards slightly (2). Insert the top end of the pulp container first and then push home the bottom end (Fig. 3).

To empty the pulp container while you are juicing. Switch off the appliance and carefully remove the pulp container:

Note: Reassemble the empty pulp container before you continue juicing.

- 4 Put the filter in the juice collector (1). Hold the lid over the filter and lower it into position (2) (Fig. 4).

Make sure the filter is fitted securely onto the driving shaft ('click')

Always check the filter before use. If you detect any cracks or damage, do not use the appliance and contact the nearest Philips service centre or take the appliance to your dealer.

- 5 Snap the two clamps onto the lid to lock it into place ('click') (1). Align the groove in the pusher with the small protrusion on the inside of the feeding tube and slide the pusher into the feeding tube (2) (Fig. 5).

Make sure the clamps are locked into position on either side of the lid.

- 6 Place the juice jug under the spout (Fig. 6).

Place the lid on the juice jug to avoid splattering or if you want to store the juice in the refrigerator.

Using the appliance

The appliance will only function if all parts have been properly assembled and the lid has been properly locked in place with the clamps.

- 1 Wash the fruit and/or vegetables and cut them into pieces that fit into the feeding tube. (Fig. 7)
- 2 Make sure the juice jug has been placed under the spout.
- 3 Turn the control knob to setting 1 (low speed) or 2 (normal speed) to switch on the appliance. (Fig. 8)
 - Speed 1 is especially suitable for soft fruits and vegetables such as watermelons, grapes, tomatoes, cucumbers and raspberries.
 - Speed 2 is suitable for all kinds of fruits and vegetables.

4 Put the pre-cut pieces in the feeding tube and gently press them down towards the rotating filter with the pusher (Fig. 9).

Do not exert too much pressure on the pusher, as this could affect the quality of the end result and it could even cause the filter to come to a halt.

Never insert your fingers or an object into the feeding tube.

After you have processed all ingredients and the juice flow has stopped, switch off the appliance and wait until the filter has stopped rotating.

5 Slide the foam separator into the juice jug (1) and place the lid on the juice jug (2). In this way, the foam stays behind in the jug when you pour out the juice. (Fig. 10)

Note: If you want your drink to have a foamy layer, do not use the foam separator.

Tips

- Use fresh fruit and vegetables, as they contain more juice. Pineapples, beetroots, celery stalks, apples, cucumbers, carrots, spinach, melons, tomatoes, pomegranates, oranges and grapes are particularly suitable for processing in the juice extractor.
- You do not have to remove thin peels or skins. Only thick peels, e.g. those of oranges, pineapples and uncooked beetroots need to be removed. Also remove the white pith of citrus fruits because it has a bitter taste.
- When preparing apple juice, remember that the thickness of the apple juice depends on the kind of apple you are using. The juicier the apple, the thinner the juice. Choose a kind of apple that produces the type of juice you prefer.
- Apple juice turns brown very quickly. To slow down this process, add a few drops of lemon juice.
- Fruits that contain starch, such as bananas, papayas, avocados, figs and mangoes are not suitable for processing in the juice extractor. Use a food processor, blender or bar blender to process these fruits.
- Leaves and leaf stalks of e.g. lettuce can also be processed in the juice extractor.
- Drink the juice immediately after you have extracted it. If it is exposed to air for some time, the juice will lose its taste and nutritional value.
- To extract the maximum amount of juice, always press the pusher down slowly.
- The juicer is not suitable for processing very hard and/or fibrous/starchy fruits or vegetables such as sugar cane.

Cleaning

Never use scouring pads, abrasive cleaning agents or aggressive liquids such as alcohol, petrol or acetone to clean the appliance.

The appliance is easier to clean if you do so immediately after use.

1 Switch off the appliance. Remove the plug from the wall socket and wait until the filter has stopped rotating.

2 Remove the dirty parts from the motor unit. Dissassemble the appliance in the following order:

- Remove the pulp container;
- Remove the pusher;
- Open the clamps;
- Remove the lid.

3 Remove the juice collector together with the filter (Fig. 11).

4 Clean these parts with a cleaning brush in warm water with some washing-up liquid and rinse them under the tap (Fig. 12).

Note: All detachable parts are dishwasher-safe. Place the detachable plastic parts on the top tray of the dishwasher. Make sure they are placed well away from the heating element.

- 5** Clean the motor unit with a damp cloth.

Never immerse the motor unit in water nor rinse it under the tap.

Environment

- Do not throw away the appliance with the normal household waste at the end of its life, but hand it in at an official collection point for recycling. By doing this, you help to preserve the environment (Fig. 13).

Guarantee & service

If you need information or if you have a problem, please visit the Philips website at www.philips.com or contact the Philips Customer Care Centre in your country (you find its phone number in the worldwide guarantee leaflet).

If there is no Customer Care Centre in your country, go to your local Philips dealer or contact the Service Department of Philips Domestic Appliances and Personal Care BV.

Recipes

Energy cocktail

- 2 cups carrot, trimmed
- 1/2 cup cucumber
- 12 spinach leaves
- 1 lime, peeled
- 1 cup celery, trimmed
- 1 apple
- 1 tomato
- 2 tablespoons honey
- **Process all ingredients except the honey in the juicer. Add honey and mix well.**
- **Serve immediately, adding a few ice cubes as desired.**

Fruit potpourri

- 4 medium-sized apricots, seeded
- 2 cups cubed melon, peeled
- 1 large apple, stalk removed
- 1 orange, peeled
- **Process the fruits in the juicer, mix well, add a few ice cubes and serve immediately.**

Temptation

- 6 apricots, seeded
- 2 cups melon, peeled
- 1/2 cup orange juice
- **Process the fruits in the juicer. Mix the resulting extract well. Add 6 ice cubes.**
- **Serve immediately in medium-sized glasses garnished with strawberries or maraschino cherries and an orange slice.**

Pink cloud

- 1 cup strawberries
- 1 cored orange, peeled
- 1 cup cubed pear, stalk removed

- 1 small carrot, trimmed
- ▶ **Process in the juicer.** Mix thoroughly.
- ▶ **Serve immediately.** Add a few ice cubes.

Miracle extract

- 1 cup pineapple cubes, peeled
- 1 cup cubed apple, stalk removed
- 2 small carrots, trimmed
- 1 orange, peeled
- 2 celery stalks, trimmed
- 1 lime, peeled
- ▶ **Process the fruits in the juicer.** Mix well. Add a few ice cubes. Serve immediately.

Pineapple, peach & pear juice

- 1/2 pineapple, peeled and halved
- 2 peaches, halved and stoned
- 2 small ripe pears, stalks removed
- ▶ **Process pineapple, peaches and pears in the juicer.** Serve immediately.

Surprise pineapple cake

- 3/4 cup pineapple extract
- 10 tablespoons butter
- 1 tablespoon powdered sugar
- 2 egg yolks
- 1 cup sweetened condensed milk
- 54 sponge fingers
- 1/4 cup water
- 1 cup sugar
- 1 can sliced pineapple.
- 6-10 maraschino cherries
- ▶ **Use the juicer to obtain the pineapple extract.** With a mixer, beat the butter until creamy. Slowly add the sugar, egg yolks and sweetened condensed milk. Continue beating until fluffy and then add the pineapple extract.
- ▶ **Grease a spring mould lightly with butter and build the cake by covering the bottom and sides of the mould with sponge fingers slightly moistened with the canned pineapple syrup. Then add a layer of cream and another layer of sponge fingers and so on. Finish with a layer of cream. Cool the cake in refrigerator for three hours and then remove it from the mould.**
- ▶ **Make caramel by boiling sugar and water. Decorate the cake with pineapple slices, maraschino cherries and caramel threads. Using a spring mould will yield the best results.**

Carrot, apple & pineapple cake

- 200g carrot
- 200g pineapple
- 200g apple
- 1 cup coconut (grated)
- 3 cups flour
- 1 tablespoon baking soda
- 1 tablespoon cinnamon
- 1 cup sugar
- 1 cup honey
- 4 eggs
- 1 cup oil
- 1 packet vanilla sugar

- 1 cup chopped nuts
- ▶ Juice the carrot, pineapple and apple pieces. Use the pulp collected in the pulp container.
- ▶ Mix carrot, pineapple and apple pulp. Add honey, sugar, oil and vanilla sugar and blend well. Sift in the dry ingredients until just blended in.
- ▶ Stir in coconut and nuts. Pour into a greased baking tin. Bake at 160 °C for approximately 45-55 minutes.
- ▶ This mixture also makes great muffins. Fill muffin tins 3/4 full and bake for 40 minutes.

Fruit and vegetables facts

Fruit/vegetable	Vitamins/minerals	Kilojoule/calorie count	Juicing speed
Apples	Vitamin C	200g=150kj (72 cal)	high
Apricots	High in dietary fibre, contains potassium	30g=85kj (20 cal)	low
Beetroot	Good source of folate, dietary fibre, vitamin C and potassium	160g=190kj (45 cal)	high
Blueberries	Vitamin C	125g=295kj (70 cal)	low
Brussels sprouts	Vitamin C, B, B6, E, folate and dietary fibre	100g=110kj (26 cal)	low
Cabbage	Vitamin C, folate, potassium, B6 and dietary fibre	100g=110kj (26 cal)	high
Carrots	Vitamin A, C, B6 and dietary fibre	120g=125kj (30 cal)	high
Celery	Vitamin C and potassium	80g=55kj (7 cal)	high
Cucumber	Vitamin C	280g=120kj (29 cal)	low
Fennel	Vitamin C and dietary fibre	300g=145kj (35 cal)	low
Grapes	Vitamin C, B6 and potassium	125g=355kj (85 cal)	low
Kiwi fruit	Vitamin C and potassium	100g=100kj (40 cal)	low
Melons	Vitamin C, folate, dietary fibre and vitamin A	200=210kj (50 cal)	low
Nectarines	Vitamin C, B3, potassium and dietary fibre	180g=355kj (85 cal)	high
Peaches	Vitamin C, B3, potassium and dietary fibre	150g=205kj (49 cal)	high
Pears	Dietary fibre	150g=250kj (60 cal)	high

Fruit/vegetable	Vitamins/minerals	Kilojoule/calorie count	Juicing speed
Pineapples	Vitamin C	150g=245kj (59 cal)	high
Raspberries	Vitamin C, iron, potassium and magnesium	125g=130kj (31 cal)	low
Tomatoes	Vitamin C, dietary fibre, vitamin E, folate and vitamin A	100g=90kj (22 cal)	low

Troubleshooting

This chapter summarises the most common problems you could encounter with your juice extractor. Please read the different sections for more details. If you are unable to solve the problem, please contact the Philips Customer Care Centre in your country (you find its phone number in the worldwide guarantee leaflet). If there is no Customer Care Centre in your country, go to your local Philips dealer or the nearest Philips Service Centre.

Problem	Solution
The appliance does not work.	The appliance is equipped with a safety system. It will not work if the parts have not been mounted properly. Check whether the parts have been assembled in the right way, but switch off the appliance before you do so.
The motor unit gives off an unpleasant smell the first few times the appliance is used.	This is not unusual. If the appliance continues to give off this smell after a few times, check the quantities you are processing and the processing time.
The appliance makes a lot of noise, gives off an unpleasant smell, is too hot to touch, gives off smoke etc.	Switch off the appliance and unplug it. Go to the nearest Philips service centre or your dealer for assistance.
The filter is blocked.	Switch off the appliance, clean the feeding tube and the filter and process a smaller quantity.
The filter touches the feeding tube or vibrates strongly during processing.	Switch off the appliance and unplug it. Check if the filter has been properly placed in the juice collector. The ribs in the bottom of the filter should fit properly onto the driving shaft. Check if the filter is damaged. Cracks, crazes, a loose grating disc or any other irregularity may cause malfunction.
	If you detect any cracks or damage in the filter, do not use the appliance anymore and contact the nearest Philips Service Centre.

Увод

Поздравления за вашата покупка и добре дошли във Philips! За да се възползвате изцяло от предлаганата от Philips поддръжка, регистрирайте продукта си на www.philips.com/welcome. Вашата нова сокоизстисквачка е със специална несиметрична конструкция, която е наклонена на 5 ° към страната на отвора за готовия сок и така осигурява максимално количество сок.

Общо описание (фиг. 1)

- A** Тласкач
- B** Улей за подаване
- C** Капак
- D** Филтър
- E** Колектор
- F** Контейнер за плодова каша
- G** Щипки
- H** Ключ за регулиране
- I** Направляваща ос
- J** Задвижващ блок
- K** Отделение за прибиране на кабела
- L** Капак на каната за сок
- M** Разделител за пяна
- N** Кана за сок
- O** Четка за почистване

Важно

Преди да използвате уреда, прочетете внимателно това ръководство за експлоатация и го запазете за справка в бъдеще.

Опасност

- Не потапяйте задвижващия блок във вода или друга течност и не го мийте с течаща вода.

Предупреждение

- Преди да включите уреда в контакта, проверете дали посоченото в основата на уреда напрежение отговаря на това на вашата ел. захранваща мрежа.
- Не използвайте уреда, ако щепселът, захранващият кабел или някой друг елемент е повреден.
- Ако захранващият кабел се повреди, той трябва винаги да се подменя от Philips, упълномощен сервиз на Philips или подобни квалифицирани лица, за да се избегне опасност.
- Този уред не е предназначен за ползване от хора (включително деца) с намалени физически усещания или умствени недъзи или без опит и познания, ако са оставени без наблюдение и не са инструктирани от страна на отговарящо за тяхната безопасност лице относно начина на използване на уреда.
- Наглеждайте децата, за да не си играят с уреда.
- Никога не оставяйте уреда да работи без надзор.
- Ако установите пукнатини или повреди по филтъра или той има каквато и да е повреда, не използвайте повече уреда и се обърнете към най-близкия сервиз на Philips.
- Не бъркайте в улея за подаване с пръсти или с други предмети, докато уредът работи. За тази цел трябва да се използва само тласкачът.
- Не докосвайте малките ножове в основата на филтъра. Те са изключително остри.

Внимание

- Този уред е предназначен само за домашна употреба.

- Никога не използвайте аксесоари или части от други производители или такива, които не са специално препоръчвани от Philips. При използване на такива аксесоари или части вашата гаранция става невалидна.
- Преди включване на уреда проверете дали всички детайли са правилно сглобени.
- Използвайте уреда само когато и двете щипки са заключени.
- Откопчавайте щипките само след като сте изключили уреда и филтърът е спрял да се върти.
- Не оставяйте сокоизстисквачката да работи повече от 40 секунди без прекъсване, когато е натоварена, а след това я оставяйте да изстине за достатъчно дълго време. Някоя от рецептите в това ръководство за потребителя не представлява голямо натоварване.
- Не махайте контейнера за плодова каша по време на работа на уреда.
- Винаги изключвайте уреда от захранващата мрежа след употреба.

Електромагнитни излъчвания (EMF)

Този уред Philips е в съответствие с всички стандарти по отношение на електромагнитните излъчвания (EMF). Ако се употребява правилно и съобразно напътствията в Ръководството, уредът е безопасен за използване според наличните досега научни факти.

Подготовка за употреба

- 1** Измийте всички разглобяеми части (вж. “Почистване”).
- 2** Издърпайте захранващия кабел от отделението за прибирането му на гърба на уреда (фиг. 2).
- 3** Поставете колектора в уреда (1). Монтирайте контейнера за плодова каша към уреда с леко накланяне напред (2). Вмъкнете първо горния край на контейнера за плодова каша, а после натиснете долния на мястото му (фиг. 3).

За да изпразните контейнера за плодова каша по време на работа: Изключете уреда и внимателно свалете контейнера за плодова каша.

Забележка: Монтирайте отново празния контейнер за плодова каша, преди да продължите сокоизстискването.

- 4** Поставете филтъра в колектора (1). Дръжте капака над филтъра и го смъкнете на мястото му (2) (фиг. 4).

Убедете се, че филтърът е здраво закрепен върху задвижващия вал (с щракване).

Винаги проверявайте филтъра преди употреба. Ако установите пукнатини или повреди, не използвайте уреда и се обърнете към най-близкия сервиз на Philips или пък занесете уреда при вашия търговец.

- 5** Закопчайте двете щипки върху капака (с щракване) (1). Подравнете канала на тласкача и малката издатина във вътрешността на улея и вмъкнете тласкача в улея за подаване (2) (фиг. 5).

Проверете дали щипките са закопчани добре на мястото си от двете страни на капака.

- 6** Поставете каната за сок под чучура (фиг. 6).

Поставяйте капака на каната за сок, за да предотвратите разплискване на сока или за да съхранявате сока в хладилник.

Използване на уреда

Уредът ще работи само ако всички детайли са правилно монтирани и капакът е добре закопчан на мястото си с щипките.

- 1** Измийте плодовете и/или зеленчуците и ги нарежете на парчета, които могат да влязат в улея за подаване. (фиг. 7)

2 Проверете дали каната за сок е поставена под чучура.

3 Завъртете регулиращия ключ в положение 1 (бавни обороти) или 2 (нормална скорост), за да включите уреда. (фиг. 8)

- Скорост 1 е особено подходяща за меки плодове и зеленчуци като дини, грозде, домати и малини.
- Скорост 2 е подходяща за всички видове плодове и зеленчуци.

4 Сложете предварително нарязаните парчета в улея за подаване и леко ги натиснете с тласкача към въртящия се филтър (фиг. 9).

Не упражнявайте много голям натиск върху тласкача, тъй като това може да повлияе на качеството на крайния продукт и дори може да причини спиране на филтъра.

Никога не бъркайте в улея за подаване с пръсти или с други предмети.

След като сте обработили всички продукти и притокът на сок е спрял, изключете уреда и изчакайте филтърът да спре.

5 Плъзнете разделителя за пяна в каната за сок (1) и сложете капака на каната (2). По този начин пяната ще остане в каната, когато изливате сока. (фиг. 10)

Забележка: Ако искате напитката ви да е с пяна, тогава не ползвайте разделителя за пяна.

Полезни съвети

- Използвайте пресни плодове и зеленчуци, понеже те съдържат повече сок. Особено подходящи за обработка в сокоизстисквачката са ананасите, червеното цвекло, целината, ябълките, краставиците, морковите, спанака, пъпешите, доматиите, портокалите и гроздето.
- Не е необходимо да премахвате предварително тънки кори или ципи. Само дебелите кори, като тези на портокалите, ананасите и суровите цвекла, трябва да бъдат предварително обелени. Също така отстранете предварително бялата сърцевина на цитрусовите плодове, тъй като тя придава горчив вкус на сока.
- Когато приготвяте сок от ябълки, помнете, че гъстотата на сока зависи от използвания сорт ябълки. Колкото по-сочни са ябълките, толкова по-рядък ще е сокът. Изберете сорт ябълки, който дава предпочитания от вас сок.
- Ябълковият сок много бързо покафенява. За да забавите този процес, добавете няколко капки лимонов сок.
- Плодове с високо съдържание на скорбяла, например банани, папая, авокадо, смокини и манго, не са подходящи за преработка със сокоизстисквачката. За такива плодове използвайте кухненски робот или пасатор.
- В сокоизстисквачката могат да се обработват също листа и стебла, например маруля.
- Пийте сока веднага след изцеждането му. Когато е изложен на въздух, сокът губи аромата и хранителната си стойност.
- За да получите максимално количество сок, натискайте бавно с тласкача.
- Сокоизстисквачката не е подходяща за обработване на много твърди и/или целулозни и месести плодове и зеленчуци като захарна тръстика.

Почистване

Никога не използвайте за почистване на уреда фибро гъби, абразивни почистващи препарати или агресивни течности, като спирт, бензин или ацетон.

Почистването на уреда е по-лесно, ако го извършите веднага след употреба.

1 Изключете уреда. Извадете щепсела от контакта и изчакайте филтъра да спре да се върти.

2 Махнете замърсените детайли от задвижващия блок. Разглобете уреда в следния **порядък:**

- Махнете контейнера за плодова каша;
- Махнете тласкача;
- Отворете щипките;
- Отворете капака.

3 Извадете колектора заедно с филтъра (фиг. 11).**4** Почистете тези части в топла вода с малко течен препарат за миене и ги изплакнете с течаща вода (фиг. 12).

Забележка: Всички разглобяеми части могат да се почистват в съдомиялна машина.

Поставете подвижните пластмасови детайли на горната тава на съдомиялната машина.

Погрижете се да са достатъчно отдалечени от нагревателя.

5 Почистете задвижващия блок с мокра кърпа.

В никакъв случай не потапяйте блока на мотора във вода и не го изплаквайте с течаща вода.

Опазване на околната среда

- След края на срока на експлоатация на уреда не го изхвърляйте заедно с нормалните битови отпадъци, а го предайте в официален пункт за събиране, където да бъде рециклиран. По този начин вие помагате за опазването на околната среда (фиг. 13).

Гаранция и сервизно обслужване

Ако се нуждаете от информация или имате проблем, посетете Интернет сайта на Philips на адрес www.philips.com или се обърнете към Центъра за обслужване на клиенти на Philips във вашата страна (телефонния му номер можете да намерите в международната гаранционна карта). Ако във вашата страна няма Център за обслужване на клиенти, обърнете се към местния търговец на уреди на Philips или се свържете с Отдела за сервизно обслужване на битови уреди на Philips [Service Department of Philips Domestic Appliances and Personal Care BV].

Рецепти**Коктейл за енергия**

- 2 чаши нарязани моркови
- 1/2 чаша краставички
- 12 спаначено листо
- 1 обелен лимон
- 1 чаша нарязана целина
- 1 ябълка
- 1 домати
- 2 чаени лъжички мед
- Изцедете всички продукти, с изключение на меда, в сокоизстисквачката. Добавете меда и разбъркайте добре.
- Сервирайте веднага, като добавите няколко кубчета лед по вкус.

Плодови путпури

- 4 средно големи кайсии без костилки
- 2 чаши пълнеж на кубчета
- 1 голяма ябълка без кочана

- 1 обелен портокал
- ▶ Изцедете всички плодове със сокоизстисквачката, смесете ги добре, добавете няколко кубчета лед и сервирайте веднага.

Искушение

- 6 кайсии без костилки
- 2 чаши изчистен пълпеш
- 1/2 чаша портокалов сок
- ▶ Изцедете плодовете със сокоизстисквачката. Смесете добре получения екстракт. Добавете 6 кубчета лед.
- ▶ Сервирайте веднага в средно големи чаши, като гарнирайте с ягоди или вишни и резенче портокал.

Розов облак

- 1 чаша ягоди
- 1 обелена сърцевина на портокал
- 1 чаша круши на кубчета, без кочана
- 1 нарязан малък морков
- ▶ Изцедете със сокоизстисквачката. Разбъркайте енергично.
- ▶ Сервирайте веднага. Добавете няколко кубчета лед.

Екстракт “Чудо”

- 1 чаша обелен ананас на кубчета
- 1 чаша ябълки на кубчета, без кочана
- 2 нарязани малки моркова
- 1 обелен портокал
- 2 стръка нарязана целина
- 1 обелен лимон
- ▶ Изцедете плодовете със сокоизстисквачката. Разбъркайте добре. Добавете няколко кубчета лед. Сервирайте веднага.

Сок от ананас, праскова и круша

- 1/2 обелен и срязан ананас
- 2 срязани праскови с отстранени костилки
- 2 малки зрели круши без кочаните
- ▶ Изцедете ананаса, прасковите и крушите със сокоизстисквачката. Сервирайте веднага.

Ананасова торта “Изненада”

- 3/4 чаша екстракт от ананас
 - 10 супени лъжици масло
 - 1 супена лъжица пудра захар
 - 2 яйчни жълтъка
 - 1 чаша подсладено кондензирано мляко
 - 54 пръста пандишпанено тесто
 - 1/4 чаша вода
 - 1 чаша захар
 - 1 кутия ананас на шайби
 - 6-10 вишни
 - ▶ Получете ананасовия екстракт със сокоизстисквачката. Разбийте маслото с миксер до бухване. Бавно прибавете захарта, яйчните жълтъци и подсладеното кондензирано мляко. Продължете да миксирате до бухване, след което добавете ананасовия екстракт.
 - ▶ Лек намажете една форма за кекс с масло и оформете тортата, като покриете дъното и страните на формата с пандишпанено тесто, леко навлажнено със сиропа от кутията
- Download from [Www.Somanuals.com](http://www.Somanuals.com). All Manuals Search And Download.

ананас. След това добавете слой сметана и следващ слой пандишпанено тесто и т.н. Завършете със слой сметана. Изстудете тортата в хладилника за три часа и я извадете от формата.

- Д Направете карамел, като сварите захар и вода. Украсете сладкиша с шайби ананас, вишни и струйки карамел. Използването на форма за кекс ще доведе до най-добър резултат.

Торта от моркови, ябълки и ананас

- 200 г моркови
- 200 г ананас
- 200 г ябълки
- 1 чаша настърган кокосов орех
- 3 чаши брашно
- 1 супена лъжица сода за хляб
- 1 супена лъжица канела
- 1 чаша захар
- 1 чаша мед
- 4 яйца
- 1 чаша олио
- 1 пакетче ванилия
- 1 чаша накълцани орехи
- Д Изцедете парчетата моркови, ананас и ябълки. Използвайте плодовата каша, събрана в контейнера.
- Д Смесете плодовата каша от моркови, ананас и ябълки. Добавете мед, захар, олио и ванилия и размесете добре. Пресейте твърдите съставки, докато се смесят добре.
- Д Добавете с разбъркване кокосовото брашно и орехите. Изсипете в омазнена тава за сладкиш. Изпечете при 160 °С в продължение на около 45-55 минути.
- Д С тази смес могат да се приготвят и чудесни кифли. Напълнете формите за кифли до 3/4 от обема им и изпечете за 40 минути.

Факти за плодове и зеленчуци

Плод/ зеленчук	Витамини/минерали	Килоджаула/калории	Скорост на сокоизстискавачката
Ябълки	Витамин С	200 г = 150 kJ (72 кал.)	висока
Кайсии	Богати на диетични влакна, съдържат калий	30 г = 85 kJ (20 кал.)	ниска
Червено цвекло	Добър източник на фолиева киселина, диетични влакна, витамин С и калий	160 г = 190 kJ (45 кал.)	висока
Боровинки	Витамин С	125 г = 295 kJ (70 кал.)	ниска
Брюкселско зеле	Витамини С, В, В6, Е, фолиева киселина и диетични влакна	100 г = 110 kJ (26 кал.)	ниска
Зеле	Витамин С, фолиева киселина, калий, В6 и диетични влакна	100 г = 110 kJ (26 кал.)	висока
Моркови	Витамини А, С, В6 и диетични влакна	120 г = 125 kJ (30 кал.)	висока

Плод/ зеленчук	Витамини/минерали	Килоджаула/калории	Скорост на сокоизстисквачката
Целина	Витамин С и калий	80 г = 55 kJ (7 кал.)	висока
Краставици	Витамин С	280 г = 120 kJ (29 кал.)	ниска
Копър	Витамин С и диетични vlakна	300 г = 145 kJ (35 кал.)	ниска
Грозде	Витамини С, В6 и калий	125 г = 355 kJ (85 кал.)	ниска
Киви	Витамин С и калий	100 г = 100 kJ (40 кал.)	ниска
Пъпеш	Витамин С, фолиева киселина, диетични vlakна и витамин А	200 г = 210 kJ (50 кал.)	ниска
Голи праскови	Витамини С, В3, калий и диетични vlakна	180 г = 355 kJ (85 кал.)	висока
Праскови	Витамини С, В3, калий и диетични vlakна	150 г = 205 kJ (49 кал.)	висока
Круши	Диетични vlakна	150 г = 250 kJ (60 кал.)	висока
Ананас	Витамин С	150 г = 245 kJ (59 кал.)	висока
Малини	Витамин С, желязо, калий и магнезий	125 г = 130 kJ (31 кал.)	ниска
Домати	Витамин С, диетични vlakна, витамин Е, фолиева киселина и витамин А	100 г = 90 kJ (22 кал.)	ниска

Отстраняване на неизправности

В тази глава са обобщени най-често срещаните проблеми, на които можете да се натъкнете при ползване на вашата сокоизстисквачка. За повече подробности прочетете различните раздели. Ако не можете да решите проблема, обърнете се към Центъра за обслужване на клиенти във вашата страна (телефонния му номер можете да намерите в международната гаранционна карта). Ако във вашата страна няма Център за обслужване на клиенти, отидете при местния търговец на уреди на Philips или най-близкия сервиз на Philips.

Проблем	Решение
Уредът не работи.	Уредът е съоръжен със защитна система. Той няма да работи, ако детайлите не са монтирани правилно. Проверете дали детайлите са сглобени правилно, но преди това изключете уреда.
Задвижващият блок издава неприятна миризма по време на първите няколко употреби.	Това не е необичайно. Ако уредът продължи да издава такава миризма и след първите няколко ползвания, проверете дали обработват правилни количества с правилни времена.
Уредът много шуми, мирише, горещ е на допир, отделя дим и т.н.	Изключете уреда и извадете щепсела от контакта. Потърсете съдействие от най-близкия сервиз на Philips или от вашия търговец.

Проблем	Решение
Филтърът е задръстен.	Изключете уреда, почистете улея за подаване и филтъра и обработвайте по-малки порции продукти.
Филтърът допира до улея за подаване или вибрира силно при работа.	Изключете уреда и извадете щепсела от контакта. Проверете дали филтърът е правилно поставен в колектора. Ребрата в дъното на филтъра трябва да съвпадат точно със задвижващия вал. Проверете дали филтърът не е повреден. Неправилното функциониране може да е в резултат на пукнатини, деформации, хлабини и други геометрични отклонения.
	Ако установите пукнатини или повреди по филтъра, повече не използвайте уреда и се обърнете към най-близкия сервиз на Philips.

Úvod

Blahopřejeme vám k nákupu a vítáme vás ve společnosti Philips. Abyste mohli plně využít podpory, kterou Philips poskytuje, zaregistrujte svůj výrobek na adrese www.philips.com/welcome.

Nový odšťavňovač má speciální design, naklání se 5 ° ke straně s výstupním otvorem, což zajišťuje maximální výdej šťávy.

Všeobecný popis (Obr. 1)

- A** Pěchovač
- B** Plnicí trubice
- C** Víko
- D** Filtr
- E** Nádoba na džus
- F** Nádoba na dužinu
- G** Svorky
- H** Ovládací knoflík
- I** Hnací hřídel
- J** Motorová jednotka
- K** Možnost uložení síťového přívodu
- L** Víko konvice na džus
- M** Oddělovač pěny
- N** Konvice na šťávu
- O** Čisticí kartáč

Důležité

Před použitím přístroje si důkladně přečtěte tuto uživatelskou příručku a uschovejte ji pro budoucí použití.

Nebezpečí

- Motorovou jednotku neponořujte do vody nebo jiné kapaliny, ani ji neproplachujte pod tekoucí vodou.

Výstraha

- Před zapojením přístroje se přesvědčte, zda napětí uvedené na přístroji odpovídá napětí v místní elektrické síti.
- Pokud byste zjistili poškození na zástrčce, síťové šňůře nebo na jiném dílu, přístroj nepoužívejte.
- Pokud by byla poškozena síťová šňůra, musí její výměnu provést společnost Philips, autorizovaný servis společnosti Philips nebo obdobně kvalifikovaní pracovníci, aby se předešlo možnému nebezpečí.
- Osoby (včetně dětí) s omezenými fyzickými a duševními schopnostmi nebo nedostatkem zkušeností a znalostí by neměly s přístrojem manipulovat, pokud nebyly o používání přístroje předem instruovány nebo nejsou pod dohledem osoby zodpovědné za jejich bezpečnost.
- Dohlédněte na to, aby si s přístrojem nehrály děti.
- Nikdy nenechávejte přístroj v provozu bez dozoru.
- Objevíte-li na filtru praskliny nebo jakékoliv poškození, přístroj již nepoužívejte a obraťte se na nejbližší servisní středisko společnosti Philips.
- Nikdy nevkládejte do plnicí trubice prsty ani jiné předměty, když je přístroj v chodu. K tomuto účelu použijte pouze pěchovač.
- Nedotýkejte se malých krájecích břitů v základně filtru, jsou velmi ostré.

Upozornění

- Přístroj je určen výhradně pro použití v domácnosti.

- Nikdy nepoužívejte žádné příslušenství ani díly od jiných výrobců nebo takové, které nebyly výslovně doporučeny společností Philips. Pokud použijete takové díly či příslušenství, pozbývá záruka platnosti.
- Před zapnutím přístroje se ujistěte, že všechny součásti jsou připevněny správně.
- Používejte přístroj jen když jsou uzavřeny obě svorky.
- Svorky oddělte, jen pokud je přístroj vypnutý a filtr se přestal točit.
- Při zpracování velkých dávek nepoužívejte odšťavňovač nepřetříté více než 40 sekund a poté nechte přístroj dostatečně vychladnout. Žádný z receptů v této uživatelské příručce nepočítá s velkými dávkami.
- Je-li přístroj v chodu, neoddělujte nádobu na dužninu.
- Po použití přístroj vždy odpojte ze sítě.

Elektromagnetická pole (EMP)

Tento přístroj společnosti Philips odpovídá všem normám týkajícím se elektromagnetických polí (EMP). Pokud je správně používán v souladu s pokyny uvedenými v této uživatelské příručce, je jeho použití podle dosud dostupných vědeckých poznatků bezpečné.

Příprava k použití

- 1** Umyjte všechny oddělitelné části (viz kapitola Čistění).
- 2** Vyjměte napájecí kabel z úložného prostoru na zadní straně přístroje (Obr. 2).
- 3** Do přístroje umístěte nádobu na džus (1) a lehkým sklopením dopředu umístěte do přístroje nádobu na dužninu (2). Nejprve vložte horní část a potom zatlačte na místo spodní část (Obr. 3).

Při odšťavňování vyprázdníte nádobu na dužninu tak, že vypnete přístroj a opatrně vyjmete nádobu na dužninu.

Poznámka: Než začnete znovu odšťavňovat, vložte prázdnou nádobu na dužninu znovu na místo.

- 4** Do nádoby na džus vložte filtr (1), na filtr umístěte víko a vše zasuňte na své místo (2) (Obr. 4).

Zajistěte, aby byl filtr bezpečně umístěn na hnací hřídeli (ozve se „klapnutí“).

Před použitím vždy zkontrolujte filtr. Pokud objevíte praskliny nebo jiné poškození, přístroj nepoužívejte a kontaktujte nejbližší servisní středisko společnosti Philips nebo přístroj zanechte vašemu prodejci.

- 5** Připevněte svorky k víku, abyste jej uzamkli na místo (ozve se „klapnutí“) (1). Zarovnejte drážku pěchovače s výstupkem na vnitřní straně plnicí trubice a pěchovač zasuňte do plnicí trubice (2) (Obr. 5).

Ujistěte se, že svorky jsou k víku připevněny na obou stranách.

- 6** Umístěte konvici na džus pod hubici (Obr. 6).

Abyste se vyhnuli stříkání šťávy, nasadte na konvici víko. Použijte víko rovněž při uskladnění šťávy v lednici.

Použití přístroje

Přístroj funguje jen v případě, že jsou všechny součásti řádně složeny a víko je řádně připevněno na své místo pomocí svorek.

- 1** Omyjte ovoce či zeleninu a nakrájejte je na kousky, které se vejdou do plnicí trubice. (Obr. 7)
- 2** Zajistěte, aby konvice na džus byla umístěna pod hubici.
- 3** Pro zapnutí přístroje otočte ovládací knoflík na nastavení 1 (nízká rychlost) nebo 2 (normální rychlost). (Obr. 8)

- Rychlost 1 je obzvláště vhodná pro měkké ovoce a zeleninu jako jsou vodní melouny, hroznové víno, rajčata, okurky a maliny.
- Rychlost 2 je vhodná pro všechny druhy ovoce a zeleniny.

4 Do plnicí trubice vložte nakrájené kousky a jemně je stlačte dolů směrem k otočnému filtru pomocí pěchovače (Obr. 9).

Na pěchovač nevyvíjejte přílišný tlak, protože by to mohlo mít vliv na kvalitu konečného výsledku a mohlo by dojít i k zastavení filtru.

Do plnicí trubice nikdy nevládejte prsty ani jiné předměty.

Po zpracování všech přísad a po té, co džus přestal vytékat, vypněte přístroj a počkejte až se filtr přestane točit.

5 Zasuňte oddělovač pěny do konvice na džus (1) a nasadte na konvici víko (2). Tak zůstane pěna při nalévání džusu v konvici. (Obr. 10)

Poznámka: Pokud chcete, aby měl nápoj vrstvu pěny, nepoužívejte oddělovač pěny!

Praktické rady

- Používejte čerstvé ovoce a zeleninu, protože obsahují více šťávy. Ananas, červená řepa, celer, jablko, okurka, mrkev, špenát, meloun, rajče, granátové jablko, pomeranč a hroznové víno jsou obzvláště vhodné pro zpracování v odšťavňovači.
- Slabé slupky nebo kůry nemusíte odstraňovat. Je třeba odstranit jen silné slupky - například slupky pomeranče, ananasu a neuvařené červené řepy. Odstraňte též bílá jádra citrusových plodů, protože by džusu přidávala hořkou příchut'.
- Při přípravě jablečného džusu pamatujte, že hustota jablečného džusu závisí na druhu jablek, který používáte. Čím šťavnatější jablko, tím řidší džus. Vyberte takový druh jablek, ze kterého získáte džus podle vašich představ.
- Jablečný džus velmi rychle zhnědne. To můžete zpomalit, přidáte-li do jablečného džusu několik kapek citrónové šťávy.
- Ovoce, které obsahuje škrob, například banány, papája, avokádo, fíky a mango není vhodné pro zpracování v odšťavňovači. Ke zpracování tohoto druhu ovoce použijte mixér nebo tyčový mixér.
- V odšťavňovači lze rovněž zpracovat listy a stonky, například hlávkový salát.
- Džus vypijte hned po vymačkání. Je-li šťáva na vzduchu, ztratí chuť a výživnou hodnotu.
- Abyste získali maximální množství džusu, vždy stlačujte pěchovač pomalu.
- Odšťavňovač není vhodný pro zpracování velmi tvrdého nebo vláknitého/škrobovitého ovoce a zeleniny jako je cukrová třtina.

Čištění

K čištění přístroje nikdy nepoužívejte kovové žínky, abrazivní čisticí prostředky ani agresivní tekuté přípravky, jako je například líh, benzín nebo aceton.

Přístroj je jednodušší čistit hned po použití.

- 1 Vypněte přístroj, odpojte jej ze sítě a počkejte, až se filtr přestane točit.**
- 2 Odstraňte špinavé části z motorové jednotky. Rozeberte přístroj následujícím způsobem:**
 - Oddělte nádobu na dužninu;
 - Oddělte pěchovač;
 - Otevřete svorky;
 - Sejměte víko.
- 3 Sejměte nádobu na džus spolu s filtrem (Obr. 11).**

- 4** Vyčistěte tyto části kartáčkem v horké vodě s přidavkem vhodného mycího prostředku a omýjte je pod tekoucí vodou (Obr. 12).

Poznámka: Všechny oddělitelné části lze umístit do myčky. Oddělitelné plastové části umístěte do horní zásuvky myčky na nádobí. Zajistěte, aby byly umístěny v dostatečné vzdálenosti od topného tělesa.

- 5** Motorovou jednotku čistěte navlhčeným hadříkem.

Motorovou jednotku nesmíte nikdy ponořit do vody ani mýt pod tekoucí vodou.

Ochrana životního prostředí

- Až přístroj doslouží, nevyhazujte jej do běžného komunálního odpadu, ale odevzdejte jej do sběrný určené pro recyklaci. Pomůžete tím chránit životní prostředí (Obr. 13).

Záruka a servis

Pokud byste měli jakýkoli problém nebo byste potřebovali nějakou informaci, navštivte webovou stránku společnosti Philips www.philips.com nebo kontaktujte Středisko péče o zákazníky společnosti Philips ve své zemi (telefonní číslo střediska najdete v letáčku s celosvětovou zárukou). Pokud se ve vaší zemi Středisko péče o zákazníky nenachází, můžete kontaktovat místního dodavatele výrobků Philips nebo oddělení Service Department of Philips Domestic Appliances and Personal Care BV.

Recepty

Energetický koktejl

- 2 šálky mrkve, očištěné
- 1/2 šálku okurky
- 12 listů špenátu
- 1 citron, oloupaný
- 1 šálek očištěného celeru
- 1 jablko
- 1 rajče
- 2 lžice medu
- Všechny přísady kromě medu zpracujte v odšťavňovači. Přidejte med a dobře promíchejte.
- Ihned podávejte, v případě potřeby přidejte několik kostek ledu.

Ovocná směs

- 4 středně velké meruňky, bez jader
- 2 šálky oloupaného melounu, nakrájeného na kostky
- 1 velké jablko bez stonku
- 1 oloupaný pomeranč
- Zpracujte veškeré ovoce v odšťavňovači, dobře zamíchejte, přidejte několik kostek ledu a ihned podávejte.

Pokušení

- 6 meruňek bez jader
- 2 šálky oloupaného melounu
- 1/2 šálku pomerančové šťávy
- Zpracujte ovoce v odšťavňovači. Dobře promíchejte výsledný džus. Přidejte 6 kostek ledu.
- Ihned podávejte ve středně velkých sklenicích, ozdobených jahodami nebo třešněmi maraskýno a plátkem pomeranče.

Růžový obláček

- 1 šálek jahod
- 1 oloupaný pomeranč bez jader
- 1 šálek hrušky bez stonku, nakrájené na kostky
- 1 malá mrkev, očištěná
- **Zpracujte v odšťavňovači. Dokonale promíchejte.**
- **Ihned podávejte. Přidejte několik kostek ledu.**

Zázračný džus

- 1 šálek očištěných ananasových kostek
- 1 šálek jablka bez stonku, nakrájeného na kostky
- 2 malé očištěné mrkve
- 1 oloupaný pomeranč
- 2 očištěná stébla celeru
- 1 citron, oloupaný
- **Zpracujte veškeré ovoce v odšťavňovači. Dobře zamíchejte. Přidejte několik kostek ledu. Ihned podávejte.**

Ananasový, broskvový a hruškový džus

- 1/2 ananasu - oloupaný a rozpůlený
- 2 rozpůlené broskve bez pecek
- 2 malé zralé hrušky bez stonků
- **Zpracujte ananas, broskve a hrušky v odšťavňovači. Ihned podávejte.**

Úžasný ananasový koláč

- 3/4 šálku ananasového džusu
- 10 lžic másla
- 1 lžice práškového cukru
- 2 vaječné žloutky
- 1 šálek slazeného kondenzovaného mléka
- 54 cukrářských piškotů
- 1/4 šálku vody
- 1 šálek cukru
- 1 plechovka ananasových řezů
- 6 až 10 třešní maraskýno
- **Pomocí odšťavňovače získáte ananasový džus. V mixéru ušlehejte máslo do krému. Pomalu přidávejte cukr, vaječné žloutky a slazené kondenzované mléko. Pokračujte ve šlehání, dokud nebude směs načečraná, a poté přidejte ananasový džus.**
- **Formu lehce vymažte máslem a vytvořte koláč tak, že dno a boky formy pokryjete cukrářskými piškotky, navlhčenými ve šťávě z ananasového kompotu. Poté přidejte vrstvu krému a další vrstvu cukrářských piškotů atd. Zakončete vrstvou krému. Dejte na tři hodiny ochladit do ledničky a poté vyjměte z formy.**
- **Vařením cukru s vodou vytvořte karamel. Koláč ozdobte plátky ananasu, třešněmi maraskýno a proužky karamelu. Nejlepší výsledky přinese použití formy.**

Mrkvový, jablečný a ananasový koláč

- 200 g mrkve
- 200 g ananasu
- 200 g jablek
- 1 šálek strouhaného kokosového ořechu
- 3 šálky mouky
- 1 lžice prášku do pečiva

- 1 lžíce skořice
 - 1 šálek cukru
 - 1 šálek medu
 - 4 vejce
 - 1 šálek oleje
 - 1 balíček vanilkového cukru
 - 1 šálek nasekaných ořechů
- Odšťavněte kousky mrkve, ananasu a jablek. Použijte dužninu, zachycenou v nádobě na dužinu.**
• Smíchejte mrkvovou, ananasovou a jablečnou dužninu. Přidejte med, cukr, olej a vanilkový cukr a dobře promíchejte. Přisypávejte suché přísady, dokud se nevmíchají.
• Přidejte kokosový ořech a ořechy. Nalijte na vymazaný plech. Pečte při teplotě 160 °C přibližně 45 - 55 minut.
• Z této směsi lze též vytvořit skvělé vdolečky. Naplňte formičky na vdolečky do 3/4 a pečte 40 minut.

Údaje o ovoci a zelenině

Ovoce/zelenina	Vitaminy/minerály	Počet kilojoulů/kalorií	Rychlost odšťavňování
Jablka	Vitamin C	200 g = 150 kJ (72 cal)	vysoká
Meruňky	Bohaté na vlákninu, obsahují draslík	30 g = 85 kJ (20 cal)	nízká
Červená řepa	Dobry zdroj folátu, vlákniny, vitamínu C a draslíku	160 g = 190 kJ (45 cal)	vysoká
Borůvky	Vitamin C	125 g = 295 kJ (70 cal)	nízká
Růžičková kapusta	Vitamin C, B, B6, E, folát a vláknina	100 g = 110 kJ (26 cal)	nízká
Zelí	Vitamin C, folát, draslík, B6 a vláknina	100 g = 110 kJ (26 cal)	vysoká
Mrkev	Vitamin A, C, B6 a vláknina	120 g = 125 kJ (30 cal)	vysoká
Celer	Vitamin C a draslík	80 g = 55 kJ (7 cal)	vysoká
Okurka	Vitamin C	280 g = 120 kJ (29 cal)	nízká
Fenykl	Vitamin C a vláknina	300 g = 145 kJ (35 cal)	nízká
Hroznové víno	Vitamin C, B6 a draslík	125 g = 355 kJ (85 cal)	nízká
Kivi	Vitamin C a draslík	100 g = 100 kJ (40 cal)	nízká
Meloun	Vitamin C, folát, vláknina a vitamin A	200 g = 210 kJ (50 cal)	nízká
Nektarinky	Vitamin C, B3, draslík a vláknina	180 g = 355 kJ (85 cal)	vysoká
Broskve	Vitamin C, B3, draslík a vláknina	150 g = 205 kJ (49 cal)	vysoká
Hrušky	Vláknina	150 g = 250 kJ (60 cal)	vysoká
Ananas	Vitamin C	150 g = 245 kJ (59 cal)	vysoká

Ovoce/zelenina	Vitaminy/minerály	Počet kilojoulů/kalorií	Rychlost odšťavňování
Maliny	Vitamin C, železo, draslík a hořčík	125 g = 130 kJ (31 cal)	nízká
Rajčata	Vitamin C, vláknina, vitamin E, folát a vitamin A	100 g = 90 kJ (22 cal)	nízká

Řešení problémů

V této kapitole jsou shrnuty nejběžnější problémy, se kterými se můžete u odšťavňovače setkat. Další informace získáte v ostatních částech. Pokud by se vám nepodařilo problém vyřešit, kontaktujte Středisko péče o zákazníky ve své zemi (telefonní číslo najdete v letáčku s celosvětovou zárukou). Pokud ve vaší zemi není Středisko péče o zákazníky, můžete kontaktovat místního prodejce výrobků Philips nebo nejbližší servisní středisko společnosti Philips.

Problém	Řešení
Přístroj nefunguje.	Přístroj je vybaven bezpečnostním systémem. Pokud by jeho jednotlivé díly nebyly správně sestaveny, nepůjde ho uvést do chodu. Zkontrolujte, zda jsou všechny jeho části správně sestaveny, ale před kontrolou ho nezapomeňte vypnout.
Motorová jednotka vydává při několika prvních použitích přístroje nepříjemný zápach.	To není neobvyklé. Pokud bude přístroj vydávat tento zápach po několika použitích, zkontrolujte množství, které zpracováváte a dobu zpracování.
Přístroj je moc hlučný, vydává nepříjemný zápach, je příliš horký na dotek, kouří se z něj atd.	Vypněte přístroj a odpojte ho od sítě. Vyhledejte nejbližší servisní středisko firmy Philips nebo prodejce.
Filtr je blokováán.	Přístroj vypněte, vyčistěte plnicí trubici a filtr a zpracovávejte menší množství.
Filtr se dotýká plnicí trubice nebo během zpracování silně vibruje.	Přístroj vypněte a odpojte od sítě. Zkontrolujte, zda je filtr řádně umístěn v nádobě na džus. Výstupky na dně filtru by měly přesně zapadnout na hnací hřídel. Zkontrolujte, zda filtr není poškozen. Trhliny, praskliny, uvolněný strouhací disk nebo jiné nesrovnalosti mohou způsobit špatné fungování.
	Objevíte-li na filtru praskliny nebo poškození, přístroj již nepoužívejte a obraťte se na nejbližší servisní středisko společnosti Philips.

Sissejuhatus

Õnnitleme ostu puhul ja tervitame Philipsi poolt! Selleks, et Philipsi tootetoest kasu oleks, registreerige oma toode saidil www.philips.com/welcome.

Mahlapressi eriline, 5 ° mahla väljavooluavaga küljele kergelt kaldus disain kindlustab mahla maksimaalse väljumise.

Üldine kirjeldus (Jn 1)

- A** Tõukur
- B** Sisestamistoru
- C** Kaas
- D** Filter
- E** Mahlakoguja
- F** Viljaliha nõu
- G** Klambrid
- H** Juhtnupp
- I** Vedav völli
- J** Mootor
- K** Juhtmehoidik
- L** Mahlakannu kaas
- M** Vahueraldaja
- N** Mahlakann
- O** Puhastusharjake

Tähelepanu

Enne seadme kasutamist lugege hoolikalt kasutusjuhendit ja hoidke see edaspidiseks alles.

Ohtlik

- Ärge kastke mootorit vette või muudesse vedelikesse ega loputage seda kraani all.

Hoiaust

- Enne seadme sisselülitamist kontrollige, kas seadme alusele märgitud pinge vastab vooluvõrgu omale.
- Ärge kasutage seadet kui toitejuhe, pistik või mõni muu osa on kahjustatud.
- Kui toitejuhe on kahjustatud, peab selle ohtlike olukordade vältimiseks uue vastu vahetama Philips, Philipsi volitatud hoolduskeskus või samaväärset kvalifikatsiooni omav isik.
- Seda seadet ei tohiks füüsiliste puuetega ja vaimuhäiretega isikud (kaasa arvatud lapsed) nii kogemuste kui ka teadmiste puudumise tõttu seni kasutada, kuni nende ohutuse eest vastutav isik neid ei valva või pole seadme kasutamise kohta juhiseid andnud.
- Jälgige, et lapsed ei saaks seadmega mängida.
- Ärge kunagi jätke töötavat seadet järelevalveta.
- Juhul kui avastate filtris möra või filter on mingil muul viisil kahjustatud, ärge seadet rohkem kasutage ning võtke ühendust Philipsi hoolduskeskusega.
- Ärge toppige oma sõrmi või esemeid seadme töötamise ajal sisestustorusse. Selleks võite ainult tõukurit kasutada.
- Ärge puudutage filtri alusel olevaid väikeseid lõiketeri. Need on väga teravad.

Ettevaatust

- Seade on mõeldud kasutamiseks ainult koduses majapidamises.
- Ärge kunagi kasutage teiste tootjate poolt tehtud tarvikuid või osi, mida firma Philips ei ole eriliselt soovinud. Kui kasutate selliseid tarvikuid või osi, siis muutub te seadme garantii kehtetuks.
- Enne seadme sisselülitamist kontrollige, kas kõik osad on korralikult paigaldatud.
- Kasutage seadet ainult siis, kui mõlemad klambrid on lukustatud.

Download from [Www.Somanuals.com](http://www.Somanuals.com). All Manuals Search And Download.

- Klambrid võite ainult pärast seda avada, kui olete seadme välja lülitanud ja filter on pöörlemise lõpetanud.
- Suure koormusega pressimisel ärge kasutage mahlapressi pikemalt kui 40 sekundit korraga ning pärast jahutage seda piisavalt. Ükski selle kasutusjuhendi retseptist ei tekita suurt koormust.
- Ärge eemaldage viljaliha nõu, kui seade töötab.
- Võtke seade alati pärast kasutamist vooluvõrgust välja.

Elektromagnetilised väljad (EMF)

See Philipsi seade vastab kõikidele elektromagnetilisi välju (EMF) käsitlevatele standarditele. Kui seadet käsitsetakse õigesti ja käesolevale kasutusjuhendile vastavalt, on seadet tänapäeval kasutatavate teaduslike teooriate järgi ohutu kasutada.

Ettevalmistus kasutamiseks

- 1** Peske kõiki eemaldatavaid osi (vt pt „Puhastamine”).
- 2** Tõmmake toitejuhe seadme taga olevast juhtmehoidikust välja (Jn 2).
- 3** Pange mahlakoguja seadmele (1). Pange viljaliha nõu kergelt ettepoole kallutades seadmele (2). Sisestage kõigepealt viljaliha nõu ülemine osa ja seejärel lükake alumine osa sisse (Jn 3). Viljaliha nõu tähendamiseks mahla pressimise ajal lülitage seade välja ja eemaldage ettevaatlikult viljaliha nõu.

Märkus: Enne mahlapressimise jätkamist paigaldage tühi viljaliha nõu tagasi.

- 4** Paigutage filter mahlakogujasse (1) ja, hoides kaant filtri kohal, pange filter oma kohale (2) (Jn 4).

Veenduge, et filter kinnituks korralikult vedavale völli (kuulete klõpsatust).

Kontrollige filtrit enne, kui soovite seadet kasutada. Mõrade või kahjustuse leidmisel ärge seadet kasutage ja võtke ühendus lähima Philipsi hoolduskeskusega või viige seade edasimüüja kätte.

- 5** Vajutage kaks klambrist kaanele, et seda paigale lukustada (kõlab klõps) (1). Seadke tõukuris olev õnarus kohakuti väikese eendiga sisestustoru sees ja libistage tõukur sisestustorusse (2) (Jn 5).

Veenduge, et klambrid oleks kaane kummalgi küljel lukustatud.

- 6** Asetage mahlakann tila alla (Jn 6).

Pritsimise ära hoidmiseks või külmkapis hoidmiseks pange mahlakannule kaas peale.

Seadme kasutamine

Seade töötab ainult juhul, kui kõik osad on korralikult kokku pandud ja kaas on korralikult klambritega kohale lukustatud.

- 1** Peske puu- ja/või juurvili puhtaks ning lõigake tükkideks, mis mahuksid sisestamistorusse. (Jn 7)
- 2** Veenduge, et mahlakann oleks tila alla seatud.
- 3** Seadme sisselülitamiseks keerake juhtimisnupp seadele 1 (väike kiirus) või 2 (tavakiirus). (Jn 8)
 - Kiirus 1 sobib eriti pehmete puu- ja juurviljade nagu arbuuside, viinamarjade, tomatite, kurkide ja vaarikate töötlemiseks.
 - Kiirus 2 sobib igat liiki puu- ja juurvilja töötlemiseks.
- 4** Pange eelnevalt lõigatud tükid sisestustorusse ja suruge neid õrnalt tõukuriga pöörleva filtri poole (Jn 9).

Ärge pressige tõukurit liiga suure jõuga, sest see võib lõpptulemuse kvaliteeti mõjutada ja võib isegi filtri seiskumist põhjustada.

Ärge kunagi toppige oma näppe või esemeid sisestamistorusse.

Kui olete kõik koostisained töödeldud ja mahla vool on peatunud, lülitage seade välja ja oodake kuni filter lõpetab pöörlemise.

- 5** Libistage vahueraldaja mahlakannu (1) ja pange kaas mahlakannule peale (2). Sel moel jääb vaht kannu, kui mahla välja valate. (Jn 10)

Märkus: Märkus: ärge kasutage vahueraldajat, kui soovite, et joogil oleks vahukiht.

Näpunäiteid

- Kasutage värskeid puu- ja juurvilju, sest need on mahlasemad. Ananassid, punapeedid, sellerivarred, õunad, kurgid, porgandid, spinat, melonid, tomatid, granaatõunad, apelsinid ja viinamarjad on eriti sobivad mahlapressis töötlemiseks.
- Ärge eemaldage õhukesti koori või nahku. Koorige ainult paksukoorelisi vilju, nt apelsine, ananasse ja tooreid peete. Tsitruselistel eemaldage valge säsi, sest see on kibeda maitsega.
- Õunamahla valmistamisel pidage silmas, et õunamahla paksus sõltub töödeldavate õunte sordist. Mida mahlasem on õun, seda vedelam on mahl. Valige mahla valmistamiseks õunasordid, mis vastavad te mahla eelistustele.
- Õunamahl muutub kiiresti pruuniks. Seda protsessi võite aeglustada, tilgutades mahla sisse mõni tilk sidrunimahla.
- Tärglist sisaldav puuvili, nagu nt banaanid, papaia, avokaado, viigimarjad ja mango ei kõlba mahlapressis töötlemiseks. Nende puuviljade töötlemiseks kasutage köögikombaini, kann- või baarimikserit.
- Selles mahlapressis kõlbab lehti ja leherootsuid, nt salatitaimi töödelda.
- Jooge mahl vahetult pärast valmistamist ära. Kui see on mõni aeg õhu käes seisnud, kaotab mahl oma maitse ja toiduväärtuse.
- Maksimaalse koguse mahla saamiseks pressige tõukurit aeglaselt allapoole.
- Mahlappress ei sobi väga kõvade ja /või väga kiuliste/tärglikest puu- ja juurviljade nagu suhkruroo töötlemiseks.

Puhastamine

Ärge kunagi kasutage seadme puhastamiseks küürimiskäsna, abrasiivseid puhastusvahendeid ega ka agressiivseid vedelikke nagu bensiini või atsetooni.

Seadet on kergem puhastada kohe pärast kasutamist.

- 1** Lülitage seade välja, eemaldage võrgupistik seinakontaktist ja oodake, kuni filter lõpetab pöörlemise.
- 2** Eemaldage määrduvad osad mootori küljest. Võtke seade järgnevas järjestuses lahti:
 - eemaldage viljaliha nõu;
 - eemaldage tõukur;
 - avage klambriid;
 - Eemaldage kaas.
- 3** eemaldage mahlanõu koos filtriga (Jn 11).
- 4** Puhastage osi nõudepesuharjaga soojas vees, kuhu on pandud natuke nõudepesuvedelikku ja seejärel loputage kraani all (Jn 12).

Märkus: Kõiki eemaldatavaid osi võib nõudepesumasinas pesta. Asetage eemaldatavad plastosad nõudepesumasina ülemisele kandikule. Veenduge, et need asetsevad kütteelemendist piisavalt eemal.

5 Puhastage mootorit niiske lapiga.

Ärge kunagi kastke mootorit vette ega loputage seda kraani all.

Keskkonnakaitse

- Tööea lõppedes ei tohi seadet tavalise olmeprügi hulka visata. Seade tuleb ümbertöötlemiseks ametlikku kogumispunkti viia. See on vajalik keskkonna säästmiseks (Jn 13).

Garantii ja hooldus

Kui vajate infot või teil on mõni probleem, külastage Philipsi veebisaiti aadressil www.philips.com või võtke ühendust oma riigi Philipsi klienditeeninduskeskusega (telefoninumbri leiате garantiilehelt). Kui teie riigis ei ole klienditeeninduskeskust, pöörduge kohaliku Philipsi toodete edasimüüja poole või võtke ühendust Philipsi Domestic Appliances and Personal Care BV teenindusosakonnaga.

Retseptid

Energiakokteil

- 2 tassi tükeldatud porgandit
- 1/2 tassi kurki
- 12 spinatilehte
- 1 kooritud laim
- 1 tass tükeldatud sellerit
- 1 õun
- 1 tomat
- 2 supilusikatäit mett
- ▶ **Töödelge kõik koostisained v.a mesi mahlapressis. Lisage mesi ja segage hästi.**
- ▶ **Serveerige kohe, lisades soovikohaselt mõned jääkuubikud.**

Puuvilja popurrii

- 4 keskmise suurusega kivideta aprikoosi
- 2 tassitait kooritud melonikuubikuid
- 1 suur õun, vars eemaldatud
- 1 kooritud apelsin
- ▶ **Töödelge puuviljad mahlapressis, segage hästi, lisage mõned jääkuubikud ja serveerige kohe.**

Kiusatus

- 6 kivideta aprikoosi
- 2 tassitait kooritud melonikuubikuid
- 1/2 tassi apelsinimahla
- ▶ **Töödelge puuviljad mahlapressis. Segage saadud mahla korralikult. Lisage kuus jääkuubikut.**
- ▶ **Serveerige kohe keskmise suurusega tassides, mis on kaunistatud maasikate või maraschino kirsside ja apelsinilõikudega.**

Roosa pilv

- 1 tass maasikaid
- 1 kooritud apelsini sisu
- 1 tass pimikuubikuid, varred eemaldatud
- 1 väike tükeldatud porgand
- ▶ **Töödelge mahlapressis, segage hoolikalt.**
- ▶ **Serveerige kohe. Lisage mõned jääkuubikud.**

Imeline mahl

- 1 tassitais kooritud ananassitükke
- 1 tass pirnikuubikuid, varred eemaldatud
- 2 väikest tükeldatud porgandit
- 1 kooritud apelsin
- 2 tükeldatud sellerivart
- 1 kooritud laim
- ▶ **Töödelge puuviljad mahlapressis. Segage hästi läbi. Lisage mõned jääkuubikud. Serveerige kohe.**

Ananassi, virsiku ja pirnimahl

- 1/2 kooritud ja poolitatud ananassi
- 2 eemaldatud seemnekiviga ja poolitatud virsikut
- 2 väikest küpsset pirmi, varred eemaldatud
- ▶ **Töödelge ananass, virsikud ja pirnid mahlapressiga. Serveerige kohe.**

Üllatav ananassi kook

- 3/4 tassi ananassimahla
- 10 supilusikatäit võid
- 1 teelusikatäis tuhksuhkrut
- 2 munakollast
- 1 tass magusat kondenspiima
- 54 sõrmekujulist piklikku küpsist
- 1/4 tassi vett
- 1 klaas suhkrut
- 1 purk ananassilõike
- 6-10 maraschino kirssi
- ▶ **Valmistage mahlapressiga ananassimahl. Vispeldage või mikseriga vahtu. Lisage aeglaselt suhkur, munakollased ja magus kondenspiim. Jätkake vahustamist, kuni vaht on tugev ja seejärel lisage ananassimahl.**
- ▶ **Määrige vedrulukustusega vorm võiga ja valmistage kook, kattes vormi põhja ja küljed ananassikonservi siirupis niisutatud piklike küpsistega. Seejärel lisage uus kiht kreemi ja laduge uus kiht piklikke küpsiseid jne. Lõpuks katke kook kreemikihiga. Jahutage kooki kolm tundi sügavkülmas ja seejärel eemaldage vorm.**
- ▶ **Tehke karamell, keetes suhkrut ja vett. Kaunistage kook ananassilõikudega, maraschino kirsside ja karamellitriipudega. Paremad tulemused saate, kui kasutate vedrulukuga vormi.**

Porgandi, õuna ja ananassikook

- 200 g porgandit
- 200 g ananassi
- 200 g õunu
- 1 tass (riivitud) kookospähklit
- 3 tassi jahu
- 1 supilusikatäis söögisoodat
- 1 supilusikatäis kaneeli
- 1 klaas suhkrut
- 1 tassitais mett
- 4 muna
- 1 tassitais õli
- 1 pakike vanillisuhkrut
- 1 tass purustatud pähkleid

- Valmistage porgandi, ananassi ja õuna tükkidest mahl. Kasutage ka viljalihanõusse kogutud viljaliha.
- Segage porgandi, ananassi ja õuna viljaliha. Lisage mesi, õli ja vanillisuhkur ning segage hästi läbi. Sõeluge kiivud koostisained, kuni need on hästi segunenud.
- Segage riivitud kookos ja pähklid. Kallake rasvaga määritud koogivormi. Küpsetage 160 ° kraadi juures 45-55 minutit.
- Sellest segust saab ka suurepäraseid muffineid. Täitke muffinivorm 3/4 ja küpsetage 40 minutit.

Fakte puu- ja juurviljade kohta

Puu- või juurvili	Vitamiinid/mineraalid	Kilodžaulide/kalorite hulk	Mahlaeraldumise kiirus
Õunad	Vitamiin C	200 g = 150 kJ (72 kalorit)	kõrge
Aprikoosid	Palju dieetkiudu, sisaldab kaaliumi	30 g = 85 kJ (20 kalorit)	madal
Punapeet	Hea foolhappe, dieetkiudude, C-vitamiini ja kaaliumi allikas	160 g = 190 kJ (45 kalorit)	kõrge
Mustikad	Vitamiin C	125 g = 295 kJ (70 kalorit)	madal
Brüsseli rooskapsas	Vitamiin C, B, B6, E, foolhape ja dieetkiud	100 g = 110 kJ (26 kalorit)	madal
Kapsas	Vitamiin C, B, B6, foolhape ja dieetkiud	100 g = 110 kJ (26 kalorit)	kõrge
Porgandid	Vitamiin A, C, B6 ja dieetkiud	120 g = 125 kJ (30 kalorit)	kõrge
Seller	Vitamiin C ja kaalium	80 g = 55 kJ (7 kalorit)	kõrge
Kurk	Vitamiin C	280 g = 120 kJ (29 kalorit)	madal
Apteegitill	Vitamiin C ja dieetkiud	300 g = 145 kJ (35 kalorit)	madal
Viinamarjad	Vitamiin C, B6 ja kaalium	125 g = 355 kJ (85 kalorit)	madal
Kiivi	Vitamiin C ja kaalium	100 g = 100 kJ (40 kalorit)	madal
Melonid	Vitamiin C, foolhape, dieetkiud ja vitamiin A	200 g = 210 kJ (50 kalorit)	madal
Nektariin	Vitamiin A, B3, kaalium ja dieetkiud	180 g = 355 kJ (85 kalorit)	kõrge
Virsikud	Vitamiin A, B3, kaalium ja dieetkiud	150 g = 205 kJ (49 kalorit)	kõrge
Pirnid	Dieetkiud	150 g = 250 kJ (60 kalorit)	kõrge
Ananass	Vitamiin C	150 g = 245 kJ (59 kalorit)	kõrge
Vaarikas	Vitamiin C, raud, kaalium ja magneesium	125 g = 130 kJ (31 kalorit)	madal
Tomatid	Vitamiin C, dieetkiud, vitamiin E, foolhape ja vitamiin A	100 g = 90 kJ (22 kalorit)	madal

Veaotsing

Selles peatükis on tehtud kokkuvõtte mahlapressil tihedamini esinevatest probleemidest. Täpsema teabe saamiseks lugege palun vastavaid peatükke. Kui teil ei õnnestu probleemi omal jõul lahendada, siis pöörduge oma riigi Philipsi klienditeeninduskeskuse poole (telefoninumbri leiате garantiaalongilt). Kui teie riigis ei ole klienditeeninduskeskust, pöörduge kohaliku Philipsi toodete müüja poole või lähimasse Philipsi hoolduskeskusesse.

Häire	Lahendus
Seade ei tööta.	Seade on varustatud ohutussüsteemiga. Seade ei hakka tööle, kui osad ei ole õigesti paigaldatud. Kontrollige, kas osad on õigesti kokku pandud, kuid enne seda lülitage seade kindlasti välja.
Esimestel seadme kasutuskordadel tuleb mootorist ebameeldivat lõhna.	See pole ebatavaline. Kui mõne aja pärast tuleb seadmest ikka veel suitsu, siis kontrollige töödeldavate ainete hulka ja töötlemisaega.
Seade teeb üleliigset müra, tekitab ebameeldivat lõhna, on katsudes väga tuline, suitseb jne.	Lülitage seade välja ja eemaldage pistik. Pöörduge abi saamiseks lähimasse Philipsi hoolduskeskusesse või Philipsi toodete müüja poole.
Filter on umbes.	Lülitage seade välja, puhastage sisestustoru ja filter ning töödelge väiksemaid koguseid.
Filter läheb sisestustoru vastu või vibreerib töötlemise ajal tugevasti.	Lülitage seade ja võtke võrgupistik seinakontaktist välja. Kontrollige, kas filter on õigesti mahlakogujasse pandud. Filtri allosas olevad ribad peaksid korralikult vedava võlli sisse kinnituma. Kontrollige, kas filter pole kahjustatud. Murdekohad, mõrad, nõrgalt kinnitatud riivimisketas või mõni muu korrapäratus võivad talitushäire põhjustada.
	Juhul, kui avastate filtris mõra või filter on mingil muul viisil kahjustatud, ärge seadet rohkem kasutage ning võtke ühendust lähima Philipsi hoolduskeskusega.

Uvod

Čestitamo na kupnji i dobro došli u Philips! Kako biste u potpunosti iskoristili podršku koju nudi tvrtka Philips, registrirajte svoj proizvod na: www.philips.com/welcome.

Vaš novi sokovnik ima poseban, blago nagnut dizajn koji je sa strane izlaznog otvora za 5 ° nagnut ustranu kako bi se osigurao maksimalan protok iscijedenog soka.

Opći opis (Sl. 1)

- A** Potiskivač
- B** Otvor za umetanje
- C** Poklopac
- D** Filter
- E** Posuda za sakupljanje soka
- F** Spremnik za pulpu
- G** Spojnice
- H** Regulator
- I** Pogonska osovina
- J** Jedinica motora
- K** Pretinac za kabel
- L** Poklopac posude za sok
- M** Mehanizam za odvajanje pjene
- N** Posuda za sok
- O** Četka za čišćenje

Važno

Prije korištenja aparata pažljivo pročitajte ove upute za korištenje i spremite ih za buduće potrebe.

Opasnost

- Jedinicu motora nikada nemojte uranjati u vodu ili neku drugu tekućinu i nemojte je ispirati pod vodom.

Upozorenje

- Prije priključivanja aparata provjerite odgovara li mrežni napon naveden na podnožju aparata naponu lokalne mreže.
- Nemojte koristiti aparat ako je oštećen mrežni kabel, utikač ili neki drugi dio.
- Ako se kabel za napajanje ošteti, mora ga zamijeniti tvrtka Philips, ovlašteni Philips servisni centar ili neka druga kvalificirana osoba kako bi se izbjegle potencijalno opasne situacije.
- Ovaj aparat nije namijenjen osobama (uključujući djecu) sa smanjenim fizičkim ili mentalnim sposobnostima niti osobama koje nemaju dovoljno iskustva i znanja, osim ako im je osoba odgovorna za njihovu sigurnost dala dopuštenje ili ih uputila u korištenje aparata.
- Malu djecu potrebno je nadzirati kako se ne bi igrala s aparatom.
- Aparat nikada ne smije raditi bez nadzora.
- Ako primijetite pukotine na filteru ili ako je filter na bilo koji način oštećen, prestanite koristiti aparat i obratite se najbližem Philips servisnom centru.
- U otvor za umetanje nikada ne gurajte prste ili predmete dok aparat radi. Za tu namjenu koristite samo potiskivač.
- Nemojte dirati male rezače u podnožju filtera. Vrlo su oštri.

Oprez

- Ovaj aparat namijenjen je isključivo uporabi u kućanstvu.
- Nemojte nikada koristiti dodatke ili dijelove drugih proizvođača ili proizvođača koje tvrtka Philips nije izričito preporučila. Ako koristite takve dodatke ili dijelove, vaše jamstvo prestaje vrijediti.
- Prije uključivanja sokovnika provjerite jesu li svi dijelovi ispravno pričvršćeni.
- Aparat koristite samo kada su obje spojnice pričvršćene.

- Spojnice otpustite tek nakon što isključite aparat i filter se prestane okretati.
- Ako cijedite velike količine, aparat ne smije raditi dulje od 40 sekundi bez prekida, a zatim sokovnik trebate ostaviti da se ohladi. Nijedan od recepata navedenih u ovim uputama za korištenje ne sadrži velike količine.
- Nemojte uklanjati spremnik za pulpu dok aparat radi.
- Nakon korištenja aparat isključite iz struje.

Elektromagnetska polja (EMF)

Ovaj proizvod tvrtke Philips sukladan je svim standardima koji se tiču elektromagnetskih polja (EMF). Ako aparatom rukujete ispravno i u skladu s ovim uputama, prema dostupnim znanstvenim dokazima on će biti siguran za korištenje.

Priprema za korištenje

- 1** Operite sve odvojive dijelove (pogledajte poglavlje "Čišćenje").
- 2** Izvucite mrežni kabel iz odjeljka za spremanje sa stražnje strane aparata (Sl. 2).
- 3** Stavite posudu za sakupljanje soka u sokovnik (1), a spremnik za pulpu stavite lagano ga nagnjući prema naprijed (2). Prvo umetnite gornji dio, a zatim gurnite donji (Sl. 3).
Ako želite isprazniti spremnik za pulpu za vrijeme cijedenja soka, isključite aparat i pažljivo izvadite spremnik.

Napomena: Prije no što nastavite cijediti sok vratite prazni spremnik za pulpu.

- 4** Stavite filter u posudu za sakupljanje soka (1) i držite poklopac iznad filtera i spustite ga na odgovarajući položaj (2) (Sl. 4).
Pazite da filter bude čvrsto pričvršćen na pogonsku osovinu ("klik")

Prije uporabe uvijek provjerite filter. Ako na njemu uočite pukotine ili oštećenja, aparat nemojte koristiti nego se obratite najbližem Philips servisnom centru.

- 5** Pritisnite spojnice i čvrsto zatvorite poklopac ("klik") (1). Poravnajte žlijeb u potiskivaču s malim izbočinama s unutarnje strane cijevi, a zatim gurnite potiskivač u otvor za umetanje (2) (Sl. 5).
Pazite da spojnice budu pričvršćene u odgovarajući položaj sa svake strane poklopca.

- 6** Posudu za sok stavite ispod žlijeba (Sl. 6).
Na posudu za sok stavite poklopac kako biste izbjegli prskanje ili ako želite spremiti sok u hladnjak.

Korištenje aparata

Sokovnik može raditi samo ako su svi dijelovi ispravno sastavljeni i ako je poklopac ispravno pričvršćen spojnica.

- 1** Operite voće i/ili povrće i nasjeckajte ih na komade koje ćete moći staviti u otvor za umetanje. (Sl. 7)
- 2** Provjerite je li posuda za sok postavljena ispod žlijeba.
- 3** Sokovnik uključite okretanjem regulatora na postavku 1 (niska brzina) ili 2 (normalna brzina). (Sl. 8)
 - Brzina 1 je pogodna za mekano voće i povrće poput lubenica, grožđa, rajčica, krastavaca i malina.
 - Brzina 2 je pogodna za sve vrste voća i povrća.
- 4** Namirnice koje ste prethodno izrezali stavite u otvor za umetanje i lagano ih potiskivačem pritisnite prema filteru koji se okreće (Sl. 9).

Nemojte jako pritisnati potiskivač jer tako možete umanjiti kvalitetu soka ili čak prouzročiti začepljenje filtera.

U otvor za umetanje nikada ne gurajte prste ili predmete.

Nakon što obradite sve sastojke i sok prestane istjecati, isključite aparat i pričekajte da se filter prestane okretati.

- 5** Gurnite mehanizam za odvajanje pjene u posudu za sok (1) i na posudu stavite poklopac (2). Tako će pjena ostati u posudi kada budete izlijevali sok. (Sl. 10)

Napomena: Ako želite da vaš napitak sadrži pjenu, nemojte koristiti mehanizam za odvajanje pjene.

Savjeti

- Koristite svježe voće i povrće jer ono sadrži više soka. Ananas, cikla, celer, jabuke, krastavci, mrkva, špinat, dinje, rajčice, šipak, naranče i grožđe posebno su pogodni za cijedenje u sokovniku.
- Nije potrebno guliti tanku kožu ili koru. Ogulite samo debelu koru, npr. naranče, ananasa i sirove cikle. Također uklonite bijelu kožicu s citrusa jer ima gorak okus.
- Kod pripreme soka od jabuke nemojte zaboraviti da gustoća soka ovisi o vrsti jabuka koje koristite. Što je jabuka sočnija, to će sok biti bistriji. Odaberite vrstu jabuka kojom ćete moći dobiti sok kakav želite.
- Sok od jabuke brzo će potamnjeti. Tamnjenje soka možete usporiti dodavanjem nekoliko kapi limunova soka.
- Voće koja sadrži škrob, poput banana, papaje, avokada, smokvi i manga nije pogodno za cijedenje u sokovniku. Za cijedenje ovog voća koristite aparat za obradu hrane, običnu miješalicu ili miješalicu s rešetkama.
- Listove i stabljike, npr. salate, također možete cijediti u sokovniku.
- Sok popijte odmah nakon cijedenja. Ako dugo stoji na zraku, sok će imati lošiji okus i manju nutricionističku vrijednost.
- Kako biste dobili maksimalnu količinu soka, potiskivač uvijek pritišćite polako.
- Sokovnik nije pogodan za cijedenje jako tvrdog i/ili vlaknastog ili voća i povrća koje sadrži puno škroba poput šećerne trske.

Čišćenje

Za čišćenje aparata nemojte nikada koristiti spužvice za ribanje, abrazivna sredstva za čišćenje ili agresivne tekućine poput alkohola, benzina ili acetona.

Sokovnik ćete najlakše očistiti ako to učinite odmah nakon uporabe.

- 1** Isključite aparat, izvucite utikač iz zidne utičnice i pričekajte da se filter prestane okretati.

- 2** Prljave dijelove uklonite s jedinice motora. Aparat rastavite sljedećim redom:

- Izvadite spremnik za pulpu;
- Izvadite potiskivač;
- Otpustite spojnice;
- Skinite poklopac.

- 3** Izvadite posudu za sakupljanje soka zajedno s filterom (Sl. 11).

- 4** Očistite ove dijelove četkicom za čišćenje i toplom vodom s malo sredstva za čišćenje i zatim ih isperite pod mlazom vode (Sl. 12).

Napomena: Svi odvojni dijelovi mogu se prati u stroju. Plastične dijelove koji se mogu odvojiti stavite u gornju ladicu stroja za pranje posuđa. Pazite da ne budu blizu grijaćeg elementa.

- 5** Očistite jedinicu motora vlažnom krpom.

Jedinicu motora nikada nemojte uranjati u vodu niti ispirati pod mlazom vode.

Zaštita okoliša

- Aparat koji se više ne može koristiti nemojte odlagati s uobičajenim otpadom iz kućanstva, nego ga odnesite u predviđeno odlagalište na recikliranje. Time ćete pridonijeti očuvanju okoliša (Sl. 13).

Jamstvo i servis

Ako vam je potrebna informacija ili imate problem, posjetite web-stranicu **www.philips.com** ili se obratite Philips centru za korisnike u svojoj državi (broj se nalazi u međunarodnom jamstvenom listu). Ako u vašoj državi ne postoji centar za korisnike, obratite se lokalnom prodavaču Philips proizvoda ili servisnom odjelu Philips Domestic Appliances and Personal Care BV.

Recepti**Energetski koktel**

- 2 šalice očišćene mrkve
- 1/2 šalice krastavca
- 12 listova špinata
- 1 limeta, oguljena
- 1 šalica očišćenog celera
- 1 jabuka
- 1 rajčica
- 2 čajne žlice meda
- Sve sastojke, osim meda, obradite u sokovniku. Zatim dodajte med i dobro promiješajte.
- Dodajte nekoliko kockica leda po želji i odmah poslužite.

Voćna mješavina

- 4 marelice srednje veličine, bez koštica
- 2 šalice dinje u kockicama, oguljene
- 1 velika jabuka, očišćena
- 1 naranča, oguljena
- Obradite voće u sokovniku, dobro izmiješajte, dodajte nekoliko kockica leda i odmah poslužite.

Iskušenje

- 6 marelica, bez koštica
- 2 šalice dinje, oguljene
- 1/2 šalice soka od naranče
- Obradite voće u sokovniku. Dobro izmiješajte dobiveni sok. Dodajte 6 kockica leda.
- Odmah poslužite u čašama srednje veličine ukrašenim jagodama ili maraskino višnjama i kriškom naranče.

Ružičasti oblak

- 1 šalica jagoda
- 1 naranča bez jezgre, oguljena
- 1 šalica očišćene kruške u kockicama
- 1 mala mrkva, očišćena
- Obradite u sokovniku. Temeljito izmiješajte.
- Odmah poslužite. Dodajte nekoliko kockica leda.

Čudotvorni napitak

- 1 šalica kockica ananasa, oguljenog
- 1 šalica jabuke u kockicama, očišćene

- 2 male mrkve, očišćene
- 1 naranča, oguljena
- 2 stabljike celera, očišćene
- 1 limeta, oguljena
- ▶ **Obradite voće u sokovniku. Dobro izmiješajte. Dodajte nekoliko kockica leda. Odmah poslužite.**

Sok od ananasa, breskve i kruške

- 1/2 ananasa, oguljenog i izrezanog
- 2 breskve, prepolovljene i bez koštica
- 2 male zrele kruške, očišćene
- ▶ **Ananas, breskve i kruške obradite u sokovniku. Odmah poslužite.**

Torta iznenađenja od ananasa

- 3/4 šalice soka od ananasa
- 10 čajnih žlica maslaca
- 1 čajna žlica šećera u prahu
- 2 žumanjka
- 1 šalica zaslađenog kondenziranog mlijeka
- 54 piškote
- 1/4 šalice vode
- 1 šalica šećera
- 1 konzerva narezanog ananasa.
- 6-10 maraskino višanja
- ▶ **Uz pomoć sokovnika iscijedite sok ananasa. Uz pomoć miješalice izmiješajte maslac u kremastu smjesu. Polako dodajte šećer, žumanjke i zaslađeno kondenzirano mlijeko. Nastavite miješati dok smjesa ne postane pjenasta, a zatim dodajte sok od ananasa.**
- ▶ **Kalup za pečenje premažite s malo maslaca i složite tortu tako da dno i strane kalupa prekrijete piškotama koje ste prethodno malo navlažili sokom iz konzerve ananasa. Zatim dodajte sloj kreme i na njega sloj piškota itd. Posljednji sloj treba biti sloj kreme. Tortu hladite u hladnjaku tri sata, a zatim je izvadite iz kalupa.**
- ▶ **Napravite karamel kuhanjem šećera i vode. Tortu ukrasite kriškama ananasa, maraskino višnjama i nitima od karamela. Najbolje rezultate ćete dobiti ako koristite kalup.**

Torta od mrkve, jabuka i ananasa

- 200 g mrkve
- 200 g ananasa
- 200 g jabuka
- 1 šalica kokosa (naribanog)
- 3 šalice brašna
- 1 čajna žlica sode bikarbone za kuhanje
- 1 čajna žlica cimeta
- 1 šalica šećera
- 1 šalica meda
- 4 jaja
- 1 šalica ulja
- 1 vrećica vanilin šećera
- 1 šalica narezanih orašastih plodova
- ▶ **Mrkvu, ananas i jabuke obradite u sokovniku. Upotrijebite pulpu sakupljenu u spremniku.**
- ▶ **Mrkvu, ananas i pulpu jabuke pomiješajte. Dodajte med, šećer, ulje i vanilin šećer te ih dobro izmiješajte. Dodajte suhe sastojke i malo ih izmiješajte.**
- ▶ **Umiješajte kokos i orašaste plodove. Smjesu izlijte u posudu za pečenje koju ste prethodno premazali maslacem. Pecite pri 160 °C oko 45-55 minuta.**

- Od ove smjese možete napraviti i odlične muffine. Kalupe za muffine napunite do 3/4 i pecite 40 minuta.

Podaci o voću i povrću

Voće/povrće	Vitamini/minerali	Broj kilodžula/kalorija	Brzina cijedenja
Jabuke	Vitamin C	200 g = 150 kJ (72 cal)	visoka
Marelice	Visok udio dijetalnih vlakana, sadrži kalij	30 g = 85 kJ (20 cal)	niska
Cikla	Odličan izvor folne kiseline, dijetalnih vlakana, vitamina C i kalija	160 g = 190 kJ (45 cal)	visoka
Borovnice	Vitamin C	125 g = 295 kJ (70 cal)	niska
Prokulice	Vitamin C, B, B6, E, folna kiselina i dijetalna vlakna	100 g = 110 kJ (26 cal)	niska
Kupus	Vitamin C, folna kiselina, kalij, B6 i dijetalna vlakna	100 g = 110 kJ (26 cal)	visoka
Mrkve	Vitamin A, C, B6 i dijetalna vlakna	120 g = 125 kJ (30 cal)	visoka
Celer	Vitamin C i kalij	80 g = 55 kJ (7 cal)	visoka
Krastavac	Vitamin C	280 g = 120 kJ (29 cal)	niska
Komorač	Vitamin C i dijetalna vlakna	300 g = 145 kJ (35 cal)	niska
Grožđe	Vitamin C, B6 i kalij	125 g = 355 kJ (85 cal)	niska
Kivi	Vitamin C i kalij	100 g = 100 kJ (40 cal)	niska
Dinje	Vitamin C, folna kiselina, dijetalna vlakna i vitamin A	200 = 210 kJ (50 cal)	niska
Nektarine	Vitamin C, B3, kalij i dijetalna vlakna	180 g = 355 kJ (85 cal)	visoka
Breskve	Vitamin C, B3, kalij i dijetalna vlakna	150 g = 205 kJ (49 cal)	visoka
Kruške	Dijetalna vlakna	150 g = 250 kJ (60 cal)	visoka
Ananas	Vitamin C	150 g = 245 kJ (59 cal)	visoka
Maline	Vitamin C, željezo, kalij i magnezij	125 g = 130 kJ (31 cal)	niska
Rajčice	Vitamin C, dijetalna vlakna, vitamin E, folna kiselina i vitamin A	100 g = 90 kJ (22 cal)	niska

Rješavanje problema

U ovom poglavlju sažeti su najčešći problemi s kojima se možete susresti pri korištenju sokovnika. Detaljnije informacije potražite u različitim odjeljcima. Ako ne možete riješiti problem, obratite se centru za korisničku podršku tvrtke Philips u vašoj državi (telefonski broj nalazi se u međunarodnom

Download from [Www.Somanuals.com](http://www.Somanuals.com). All Manuals Search And Download.

jamstvenom listu). Ako u vašoj državi nema centra za korisničku podršku obratite se lokalnom dobavljaču za tvrtku Philips ili najbližem ovlaštenom servisu tvrtke Philips.

Problem	Rješenje
Aparat ne radi.	Aparat ima sigurnosni sustav koji onemogućuje njegov rad ako dijelovi nisu ispravno sastavljeni. Provjerite jesu li dijelovi ispravno sastavljeni, ali prije toga isključite aparat.
Iz jedinice motora osjeća se neugodan miris prilikom prvih nekoliko uporaba.	To nije neobično. Ako se taj neugodan miris osjeti i nakon nekoliko uporaba, provjerite koristite li točne količine namirnica i vrijeme pripremanja.
Aparat je vrlo bučan, osjeća se neugodan miris, vruć je, pojavljuje se dim itd.	Isključite aparat i izvucite mrežni kabel iz napajanja. Obratite se najbližem prodavatelju ili ovlaštenom servisu Philips proizvoda.
Filter je začepljen.	Isključite aparat, očistite otvor za umetanje i filter i stavite manju količinu namirnica.
Tijekom pripreme filter dodiruje otvor za umetanje ili jako vibrira.	Isključite aparat i iskopčajte ga. Provjerite je li filter ispravno postavljen u posudu za sakupljanje soka. Žljebovi s donje strane filtera trebaju pravilno sjesti na pogonsku osovinu. Provjerite je li filter oštećen. Pukotine, napukline, labavi disk za rezanje ili bilo kakve nepravilnosti mogu prouzročiti neispravan rad aparata.
	Ako uočite pukotine ili oštećenja na filteru, prestanite koristiti aparat i obratite se najbližem ovlaštenom servisnom centru tvrtke Philips.

Bevezetés

Köszönjük, hogy Philips terméket vásárolt! A Philips által biztosított teljes körű támogatáshoz regisztrálja termékét a www.philips.com/welcome oldalon.

Az új gyümölcscentrifuga különleges, enyhén döntött kialakítása 5°-kal a gyümölcslékifolyó felé dől, így biztosítja a maximális gyümölcslémennyiség kinyerését.

Általános leírás (ábra 1)

- A** Betöltő
- B** Adagolócső
- C** Fedél
- D** Szűrő
- E** Légyűjtő
- F** Gyümölcshúsgyűjtő
- G** Rögzítőkapcsok
- H** Kezelőgomb
- I** Hajtótengely
- J** Motoregység
- K** Csatlakozókábel tároló
- L** Légyűjtő edény fedele
- M** Hableválasztó
- N** Légyűjtő
- O** Tisztító kefe

Fontos

A készülék első használata előtt figyelmesen olvassa el a használati utasításokat. Őrizze meg az útmutatót későbbi használatra.

Veszély

- Ne merítse a motoregységet vízbe vagy más folyadékba, és ne öblítse le folyó víz alatt.

Figyelmeztetés

- Csatlakoztatás előtt ellenőrizze, hogy a készülék alján lévő címkén feltüntetett hálózati feszültségérték megegyezik-e a helyi hálózati feszültséggel.
- Ne használja a készüléket, ha a csatlakozódugó, a hálózati kábel vagy egyéb alkatrészek megsérültek.
- Ha a hálózati kábel meghibásodott, a kockázatok elkerülése érdekében Philips szakszervizben, vagy hivatalos szakszervizben ki kell cserélni.
- A készülék működtetésében járatlan személyek, gyerekek, nem beszámítható személyek felügyelet nélkül soha ne használják a készüléket.
- Vigyázzon, hogy a gyerekek ne játszanak a készülékkel.
- Működés közben soha ne hagyja a készüléket felügyelet nélkül.
- Amennyiben a szűrő sérült, vagy repedések láthatók rajta, ne használja a készüléket, keresse fel a legközelebbi Philips szakszervizhez.
- Sose nyúljon kézzel vagy más tárggyal a működő készülék adagolócsövébe. Erre a célra csak a nyomórúd használható.
- Ne érjen a szűrő alján található vágókésekhez, mert nagyon élesek.

Figyelem

- A készüléket kizárólag háztartási használatra tervezték.
- Ne használjon más gyártótól származó tartozékot vagy alkatrészt, vagy olyat, amelyet a Philips nem hagyott jóvá, ellenkező esetben a garancia érvényét veszti.
- A készülék bekapcsolása előtt ellenőrizze, hogy minden alkatrész helyesen van-e felszerelve.
- A készülék használatakor a rögzítőkapcsoknak megfelelően kell zárniuk.

Download from [Www.Somanuals.com](http://www.Somanuals.com). All Manuals Search And Download.

- Csak a készülék kikapcsolása és a szűrő leállása után nyissa ki a rögzítőkapcsokat.
- A gyümölcscentrifugát nehéz töltettel ne használja folyamatosan 40 másodpercnél tovább, utána pedig hagyja lehűlni. Az itt olvasható egyik recept sem igényel nehéz töltetet.
- A készülék működése közben ne vegye ki a gyümölcshűsgyűjtőt.
- Használat után mindig húzza ki dugót az aljzatból.

Elektromágneses mezők (EMF)

Ez a Philips készülék megfelel az elektromágneses mezőkre (EMF) vonatkozó szabványoknak. Amennyiben a használati útmutatóban foglaltaknak megfelelően üzemeltetik, a tudomány mai állása szerint a készülék biztonságos.

Előkészítés

- 1 Mosson el minden levehető alkatrészt (lásd a „Tisztítás” c. fejezetet).
- 2 Húzza ki a tápkábelt a készülék hátulján található kábeltárolóból (ábra 2).
- 3 Helyezze a légyűjtőt a berendezésbe (1), a gyümölcshűsgyűjtőt pedig enyhén előre billentve tegye be (2). Először a gyümölcshűsgyűjtő felső végét tolja be, majd nyomja be az alját is (ábra 3).

A gyümölcshűsgyűjtő kiürítéséhez kapcsolja ki a készüléket, és óvatosan emelje ki a gyümölcshűsgyűjtőt.

Megjegyzés: Mielőtt folytatná a gyümölcslékészítést, tegye vissza az üres gyümölcshűsgyűjtőt.

- 4 Tegye be a szűrőt a légyűjtőbe (1), tartsa a fedelét a szűrő fölé, majd süllyesse a helyére (2) (ábra 4).

Ellenőrizze, hogy a szűrő biztonságosan van-e a hajtótengelyre pattintva.

Használat előtt mindig ellenőrizze a szűrőt. Ha repedéseket vagy sérülést észlel, ne használja a készüléket, hanem vegye fel a kapcsolatot a legközelebbi Philips márkaszervizzel, vagy vigye vissza a készüléket az értékesítőnek.

- 5 Pattintsa a két rögzítőt a helyére kattanásig (1). Csúsztassa a betöltőt az adagolócsőbe úgy, hogy a betöltő furata illeszkedjen az adagolócső belsejében található kiszögellésbe (2) (ábra 5).

Győződjön meg róla, hogy a rögzítőkapcsok a fedél mindkét oldalán szorosan a helyükön legyenek.

- 6 Helyezze a légyűjtőt a kifolyócső alá (ábra 6).

Tegye a fedelet a légyűjtőre; ez megakadályozza a lé kilöttyenését, és a hűtőben való tároláshoz is hasznos.

A készülék használata

A készülék csak akkor működik, ha minden alkatrészét jól összeszerelték, és a fedelet szorosan tartják a rögzítőkapcsok.

- 1 Mossa meg a gyümölcsöt és/vagy zöldséget, és darabolja fel akkorára, hogy beférjen az adagolócsőbe. (ábra 7)
- 2 Ügyeljen, hogy a légyűjtő a kifolyó alatt álljon.
- 3 A készülék bekapcsolásához fordítsa a kezelógombot 1 (alacsony sebesség) vagy 2 (normál sebesség) állásba. (ábra 8)
 - Az 1. beállítás különösen alkalmas puha húsú gyümölcs és zöldség, például görögdinnye, szőlő, paradicsom, uborka és málna kezelésére.
 - A 2. beállítás minden zöldséghez és gyümölcshöz alkalmas.

4 A felaprított darabokat tegye az adagolócsőbe, majd a betöltővel finoman nyomja le őket a forgósűrő irányába (ábra 9)

Ne fejtsen ki túl nagy nyomást, mert ez ronthatja a végeredményt, sőt a szűrő leállítását is okozhatja.

Sose nyúljon be kézzel vagy más tárggyal az adagolócsőbe.

Az összes hozzávaló feldolgozása és az összes lé kifolyása után kapcsolja ki a készüléket, és várja meg a szűrő forgásának leállítását.

5 Csúsztassa be a hableválasztót a légyűjtőbe (1), majd tegye a fedelet a légyűjtőre (2). Így a gyümölcslé kiöntésekor megakadályozza a hab kifolyását. (ábra 10)

Megjegyzés: Ha habbal együtt kívánja elfogyasztani a gyümölcslet, ne használja a hableválasztót.

Tippek:

- Friss gyümölcsöt és zöldséget használjon, mert ezeknek dúsabb a leve. Az ananász, cékla, zeller, alma, uborka, répa, spenót, a dinnyefélék, paradicsom, gránátalma, narancs és szőlő különösen alkalmas a gyümölcscentrifugában történő feldolgozásra.
- A vékony héjat nem kell lehámozni, de a vastag héjú gyümölcsöket, zöldségeket (pl. narancs, ananász és nyers cékla) meg kell hámozni. A citromfélék belső, fehér héját is távolítsa el, mert keserű lehet.
- Almálé készítésekor ügyeljen arra, hogy a lé sűrűsége az alma fajtájától függően változhat. Minél lédúsabb az alma, annál sűrűbb lesz a leve. A kívánt sűrűségnek megfelelő almafajtát válasszon.
- Az almálé nagyon hamar megbarnul. Néhány csepp citromlé hozzáadásával lassíthatja a folyamatot.
- A keményítőtartalmú gyümölcs, például banán, papaja, avokádó, füge és mangó nem alkalmas a gyümölcscentrifugában történő feldolgozásra. Ezekhez használjon konyhai robotgépet vagy turmixgépet.
- A zöldséglevél (pl. saláta) is kezelhető a gyümölcscentrifugában.
- A centrifugálás után rögtön igya meg a gyümölcslet. Ha egy ideig levegőn tartja, a gyümölcslet elveszíti ízét és tápanyagtartalmát.
- Maximális gyümölcslet kinyeréséhez mindig lassan nyomja le a betöltőt.
- A gyümölcscentrifuga nem alkalmas a kemény vagy rostos, illetve keményítős gyümölcs vagy zöldség, például cukornád feldolgozására.

Tisztítás

A készülék tisztításához ne használjon dörzsszivacsot, súrolószert vagy maró hatású tisztítószert (pl. alkoholt, benzint vagy acetont).

A készülék használat után közvetlenül könnyebben tisztítható.

1 Kapcsolja ki a készüléket, húzza ki a csatlakozódugót a fali aljzatból, és várjon, amíg a szűrő forgása leáll.

2 Távolítsa el a motoregység piszkos alkatrészeit. A következő sorrendben szerelje szét a készüléket:

- Távolítsa el a gyümölcs húsgyűjtőt;
- Vegye ki a betöltőt;
- Nyissa ki a rögzítőket;
- Vegye le a fedelet.

3 A légyűjtőt a szűrővel együtt vegye ki (ábra 11).

4 Az alkatrészeket kefével, mosogatószeres meleg vízben tisztítsa meg, majd öblítse le a csap alatt (ábra 12).

Megjegyzés: Minden levehető alkatrész mosogatógépben tisztítható. A kivehető műanyag alkatrészeket a mosogatógép felső tálcájára helyezze. Ügyeljen arra, hogy elég távol legyenek a fűtőelemtől.

5 A motoregységet nedves ruhával tisztítsa meg.

Ne merítse a motoregységet vízbe, és ne öblítse le csapvíz alatt sem.

Környezetvédelem

- A feleslegessé vált készülék szelektív hulladékként kezelendő. Kérjük, hivatalos újrahasznosító gyűjtőhelyen adja le, így hozzájárul a környezet védelméhez (ábra 13).

Jótállás és szerviz

Ha információra van szüksége, vagy ha valamilyen probléma merült fel, látogasson el a Philips honlapjára (www.philips.com), vagy forduljon az adott ország Philips vevőszolgálatához (a telefonszámot megtalálja a világszerte érvényes garancialevélen). Ha országában nem működik vevőszolgálat, forduljon a Philips helyi szaküzletéhez vagy a Philips háztartási kisgépek és szépségápolási termékek üzletágának vevőszolgálatához.

Receptek

Energiaoktél

- 2 csésze felszeletelt sárgarépa
- 1/2 csésze uborka
- 12 spenótlevél
- 1 hámozott zöldcitrom
- 1 csésze szeletelt zeller
- 1 alma
- 1 paradicsom
- 2 evőkanál méz
- Centrifugálja ki minden hozzávalót (a mézet kivéve) a gyümölcscentrifugában. Adja hozzá a mézet, és keverje jól össze.
- Azonnal tálalja. Jégkockát is tehet bele.

Gyümölcsgyveleg

- 4 közepes méretű, kimagozott sárgabarack
- 2 csésze felkockázott dinnye, héj nélkül
- 1 nagy alma, magház nélkül
- 1 hámozott narancs
- Centrifugálja ki a gyümölcsöket a gyümölcscentrifugában, keverje jól össze, adjon hozzá néhány jégkockát, és azonnal tálalja.

Kísértés

- 6 kimagozott sárgabarack
- 2 csésze dinnye, héj nélkül
- 1/2 csésze narancslé
- Centrifugálja ki a gyümölcsöket a gyümölcscentrifugában, keverje jól össze, majd adjon hozzá 6 jégkockát.
- Tálalja azonnal, eperrel vagy koktélcseresznyével és narancsszelettel díszített, közepes méretű pohárban.

Rózsaszín felhő

- 1 csésze eper

- 1 hámozott és szeletekre vágott narancs
- 1 csésze kockára vágott körte, magház nélkül
- 1 kis felszeletelt sárgarépa
- **Centrifugálja ki a hozzávalókat a gyümölcscentrifugában, és keverje jól össze.**
- **Azonnal tálalja. Jégkockát is tehet bele.**

Csodaital

- 1 csésze hámozott, kockára vágott ananász
- 1 csésze kockára vágott alma, magház nélkül
- 2 kis felszeletelt sárgarépa
- 1 hámozott narancs
- 2 felszeletelt zellerzöldje
- 1 hámozott zöldcitrom
- **Centrifugálja ki a hozzávalókat a gyümölcscentrifugában, keverje jól össze, adjon hozzá néhány jégkockát, és azonnal tálalja.**

Ananász-, alma- és körteital

- 1/2 hámozott és darabolt ananász
- 2 kimagozott, felezett barack
- 2 kis érett körte, magház nélkül
- **Centrifugálja ki az ananászt, a barackokat és a körtéket a gyümölcscentrifugában. Azonnal tálalja.**

Meglepetés ananásztorta

- 3/4 csésze ananászpép
- 10 evőkanál vaj
- 1 evőkanál porcukor
- 2 tojássárgája
- 1 csésze édes sűrített tej
- 54 babapiskóta
- 1/4 csésze víz
- 1 csésze cukor
- 1 felszeletelt ananászkonzerv
- 6–10 koktélcseresznye
- **A gyümölcscentrifugával készítse el az ananászpépet. A mixerrel habosítsa fel a vajat. Lassan adja hozzá a cukrot, a tojássárgáját és az édes sűrített tejet. Verje habosra, majd adja hozzá az ananászpépet.**
- **Kenjen ki egy sütőformát kissé vajjal, majd helyezze a forma aljára és oldalára az ananászkonzerv levével enyhén megnedvesített babapiskótákat. Adjon hozzá egy réteg krémet, majd egy réteg babapiskótát, és így tovább. A tetejére krémet tegyen. A kész süteményt helyezze hűtőbe 3 órára, majd vegye ki a formából.**
- **Cukorból és felforralt vízből készítsen karamellt. A tortát ananászszeletekkel, koktélcseresznyével és karamelldarabokkal díszítheti. Célszerű tortaformát használni.**

Répa, alma és ananász ital

- 20 dkg sárgarépa
- 20 dkg ananász
- 20 dkg alma
- 1 csésze kókuszreszelék
- 3 csésze liszt
- 1 evőkanál szódaikarbóna
- 1 evőkanál fahéj
- 1 csésze cukor

- 1 csésze méz
- 4 tojás
- 1 csésze olaj
- 1 csomag vaníliás cukor
- 1 csésze felszeletelt dió
- ▶ Centrifugálja ki a felszeletelt sárgarépat, ananászt és almát. A gyümölcselhúsgyűjtőben összegyűlt gyümölcselhúst használja majd a továbbiakban.
- ▶ Keverje össze a sárgarépból, az ananászból és az almából készült pépet. Adjon hozzá mézet, cukrot, olajat, vaníliás cukrot, majd keverje jól össze. Tegye bele a száraz alapanyagokat, és nagyjából keverje össze az egészet.
- ▶ Adja hozzá a kókuszreszeléket és a diót. Tegye az egészet kivajazott sütőformába. Süsse 160 °C-on kb. 45–55 percig.
- ▶ Ebből a keverékből kiváló muffint is készíthet. Töltse meg a muffinformákat 3/4-ig, és süsse 40 percig.

Tudnivalók gyümölcsökről és zöldségekről

Gyümölcs/ zöldség	Vitaminok/ásványi anyagok	Kilojoule/kalóriatartalom	Centrifugálási sebesség
Alma	C-vitamin	200 g = 150 kJ (72 kalória)	gyors
Sárgabarack	Étkezési rostokban gazdag, káliumtartalmú	30 g = 85 kJ (20 kalória)	lassú
Cékla	Foliát-, étkezési rost, C-vitamin és káliumtartalom	160 g = 190 kJ (45 kalória)	gyors
Feketeribizli	C-vitamin	125 g = 295 kJ (70 kalória)	lassú
Kelbimbó	C-, B-, B6, E-vitamin, foliát- és étkezési rosttartalom	100 g = 110 kJ (26 kalória)	lassú
Káposzta	C-vitamin, foliát-, kálium-, B6 és étkezési rosttartalom	100 g = 110 kJ (26 kalória)	gyors
Sárgarépa	A-, C-, B6-vitamin és étkezési rost	120 g = 125 kJ (30 kalória)	gyors
Zeller	C-vitamin és kálium	80 g = 55 kJ (7 kalória)	gyors
Uborka	C-vitamin	280 g = 120 kJ (29 kalória)	lassú
Édeskömény	C-vitamin és étkezési rost	300 g = 145 kJ (35 kalória)	lassú
Szőlő	C-, B6-vitamin és kálium	125 g = 355 kJ (85 kalória)	lassú
Kivi	C-vitamin és kálium	100 g = 100 kJ (40 kalória)	lassú
Dinnyefélék	C-vitamin, foliát, étkezési rost és A-vitamin	200 g = 210 kJ (50 kalória)	lassú
Nektarin	C-, B3-vitamin, kálium és étkezési rost	180 g = 355 kJ (85 kalória)	gyors
Őszibarack	C-, B3-vitamin, kálium és étkezési rost	150 g = 205 kJ (49 kalória)	gyors
Körte	Étkezési rost	150 g = 250 kJ (60 kalória)	gyors
Ananász	C-vitamin	150 g = 245 kJ (59 kalória)	gyors

Gyümölcs/ zöldség	Vitaminok/ásványi anyagok	Kilojoule/kalóriatartalom	Centrifugálási sebesség
Málna	C-vitamin, vas, kálium és magnézium	125 g = 130 kJ (31 kalória)	lassú
Paradicsom	C-vitamin, étkezési rost, E-vitamin, foliát és A-vitamin	100 g = 90 kJ (22 kalória)	lassú

Hibaelhárítás

Ez a fejezet összegzi a gyümölcscentrifugával kapcsolatban leggyakrabban előforduló problémákat. A részleteket a különböző alfejezetekben találja. Ha nem tudja megoldani a problémát, forduljon a helyi Philips vevőszolgálathoz (a telefonszám a világszerte érvényes garancialevélen található). Ha az országban nem működik Philips vevőszolgálat, forduljon a Philips helyi szaküzletéhez vagy a legközelebbi Philips márkaszervizhez.

Probléma	Megoldás
A készülék nem működik.	A készülék biztonsági rendszerrel van felszerelve. Ha az alkatrészek nincsenek megfelelően a helyükön, a készülék nem működik. Ellenőrizze az alkatrészek megfelelő elhelyezkedését, de előtte kapcsolja ki a készüléket.
A motoregység első használatkor kellemetlen szagot bocsát ki.	Ez nem ritka. Ha a készülék néhány alkalom után is kellemetlen szagot áraszt. Ellenőrizze a betöltött mennyiséget és a feldolgozási időt.
A készülék nagyon zajos, furcsa szagot áraszt, felforrósodik, füstöl stb.	Kapcsolja ki a készüléket, és húzza ki a csatlakozódugót a fali aljzatból. Forduljon segítségért a legközelebbi Philips márkaszervizhez vagy a márkakereskedőhöz.
A szűrő eltömődött.	Kapcsolja ki a készüléket, tisztítsa meg az adagolócsövet és a szűrőt, majd töltsön be kisebb mennyiséget.
A szűrő hozzáér az adagolócsőhöz, vagy működés közben erősen rezeg.	Kapcsolja ki a készüléket, és húzza ki a csatlakozódugót. Ellenőrizze, hogy a szűrő helyesen van-e betéve a légyűjtőbe. A szűrő alján található bordák szorosan illeszkedjenek a hajtótengelyhez. Ellenőrizze, hogy a szűrő nem sérült-e. A repedések, karcolások, a laza darálótárcsa vagy egyéb sérülés a készülék meghibásodását okozhatja.
	Ha a szűrő sérült, vagy repedések láthatók rajta, ne használja a készüléket, hanem forduljon a legközelebbi Philips szakszervizhez.

Кіріспе

Осы затты сатып алуыңызбен құттықтаймыз және Philipsқа қош келдіңіз! Philips ұсынатын қолдауды толығымен рахатыңызға қолдану үшін, өзіңіздің өніміңізді www.philips.com/welcome бойынша тіркеуге отырғызыңыз.

Сіздің жаңа шырын сыққышыңыз арнайы, 5 ° сәл ғана еңкейтілген жобамен жасалған, ол шырын шығатын орын жағына еңкейіп, шырынның тиімді түрде сығылуын қамтамасыз етеді.

Жалпы сипаттама (Сурет 1)

- A** Итергіш
- B** Қоректендіргіш түтік
- C** Қақпақ
- D** Фильтр
- E** Шырын жинағыш
- F** Қабықтарды жинайтын контейнер
- G** Қысқыштар
- H** Бақылау түймесі
- I** Жүргізуші тұтқа
- J** Мотор бөлшегі
- K** Тоқ сымын сақтағыш
- L** Шырын құмыран қақпағы
- M** Көбікті ажыратушы
- N** Шырын ыдысы
- O** Тазалайтын тарақ

Маңызды

Құралды қолданар алдында осы нұсқауды мұқият оқып шағыңыз, әрі болашақта қолдануға сақтап қойыңыз.

Қауіпті

- Моторды суға немесе басқа сұйықтыққа батыруға болмайды, немесе кран астындағы сумен шаюға да болмайды.

Ескерту

- Құралды қосар алдында, құралда көрсетілген қуат, жергілікті қамтамасыз етілетін қуатқа сәйкес келетіндігін тексеріп алыңыз.
- Егер тоқ сымы, шанышқысы немесе құралдың басқа бөлшектері зақымдалған болса, құралды қолданбаңыз.
- Егер тоқ сым зақымдалған болса, қауіпті жағдай туғызбас үшін, оны тек Philips немесе Philips өкімшілік берген қызмет орталығында немесе соған тәріздес деңгейі бар маман ғана ауыстыруы тиіс.
- Бұл құралмен, егер осы құралды қолдану жөнінде олардың қауіпсіздігіне жауапты адамнан нұсқау алған болмаса немесе оның қадағалауымен қолданып жатпаған болса, физикалық сезімталдығы төмен немесе ақылы кем адамдар, немесе білімі мен тәжірибесі аз адамдар (жас балаларды да қоса) қолдануына болмайды.
- Құралмен ойнамас үшін, балаларды қадағалаусыз қалдыруға болмайды.
- Құралды қадағалаусыз қолданбаңыз.
- Егер сіз фильтрде зақым байқасаңыз, немесе фильтрдің басқалай зақымдалғанын көрсеңіз, құралды әрі қарай қолданбаңыз, сонымен қатар жақын жердегі Philips қызмет орталығымен байланысыңыз.
- Қоректендіргіш түтікке құрал жұмыс жасап тұрған кезде ешқашан саусақтарыңызды немесе басқа заттарды салмаңыз. Бұл мақсатпен тек итергішті ғана қолданыңыз.

- Фильтрдің негізінде орналасқан кішкентай кесетін ұстараға қолыңызды тигізбеңіз. Олар өте өткір.

Сақтандыру

- Бұл құрал тек үйде қолдануға жасалған.
- Басқа өндірушілердің бөлшектерін немесе қосымша қондырғыларын, немесе Philips арнайы кеңес ретінде ұсынбаған бөлшектерді қолдануға болмайды. Егер сіз сондай бөлшектерді немесе қосымша қондырғыларды қолданған болсаңыз, онда сіздің кепілдігіңіз өз күшін жоғалтады.
- Құралды тоққа қосар алдында барлық бөлшектері дұрыс орнатылғандығына көзіңізді жеткізіңіз.
- Бекітетін екі детальдардың екеуі де жабылғаннан соң ғана құралмен қолданыңыз.
- Бекітетін тетіктерді тек құрал тоқтан суырылғаннан кейін және фильтр айналғанын тоқтатқаннан кейін ғана босатуға болады.
- Егер қоректендіргіш түтікте заттың салмағы шектен тыс болса, құралды бір дегенде 40 секундтан артық қолданбаңыз, оны сәл уақыт тоқтатып, салқындаттыру қажет. Осы қолдануға арналған рецепттердің еш қайсысында шектен тыс заттардың бар екендігі көрсетілмеген.
- Қабықтарды жинайтын контейнерді құралды, жұмыс жасап тұрғанда алуға болмайды.
- Құралды қолданып болғаннан соң өшіріп отырыңыз.

Электромагниттік өріс (ЭМӨ)

Осы Philips құралы Электромагниттік өріске (ЭМӨ) байланысты барлық стандарттарға сәйкес келеді. Егер осы құралды қосымша берілген нұсқаудағыдай ұқыпты қолданған болса, онда бұл құрал, бүгінгі таңдағы белгілі ғылыми зерттеулер бойынша, қолдануға қауіпсіз болып келеді.

Қолдануға дайындық

- 1** Алынатын бөлшектердің барлығын жуыңыз («тазалау» тармағын қараңыз).
- 2** Құралдың артқы жағында орналасқан тоқ сым сақтағыш бөлімнен тоқ сымның алыңыз (Сурет 2).
- 3** Шырын жинағышты құралға қойыңыз (1), қабықтарды жинайтын контейнерді құралға сәл ғана алға қарай еңкейту арқылы орнатыңыз (2). Алдымен жоғарғы жиегін енгізіп, содан соң төменгі жиегін кіргенше итеріңіз (Сурет 3).

Қабық жинағыш ыдысты шырын сығып жатқанда босату үшін, құралды сөндіріп, қабық жинағыш ыдысты абайлап алыңыз.

Есте сақтаңыз: Шырынды әры қарай жасау алдында, қабықтарды жинайтын контейнерді қайтадан орнына орнатыңыз.

- 4** Шырын жинағышқа фильтрді салып (1), қақпақты фильтр үстінен ұстап, орнына түскенше төмендетіңіз (2) (Сурет 4).

Фильтр міндетті түрде жүргізуші тұтқағанық орнатылуы тиіс («сырт» ете түскенше).

Қолданар алдында фильтрді әрдайым тексеріп тұрыңыз. Егер сіз фильтрде зақым байқасаңыз, немесе фильтрдің басқалай зақымдалғанын көрсеңіз, құралды әрі қарай қолданбаңыз, жақын жердегі Филипс қызмет орталығымен байланысыңыз.

- 5** Қақпаққа, оны бекіту үшін, екі бекітпені орнатып, сырт еткізіп жабыңыз ('сырт' ете түседі) (1). Итергіштегі тесікшелерді тағамды салатын құбыр ішіндегі төмпешіктерге туралап, тамақ салғыш құбырға итергішті сырғытып енгізіңіз (2) (Сурет 5).

Қақпақтың екі жағының бекіткіштері орнында тұрғанын мұқият тексеріңіз.

- 6** Шырын құмыраны түтікшенің астына қойыңыз (Сурет 6).

Егер шырын шашырап кетпесін десеңіз немесе шырынды тоңазытқышта сақтамақшы болсаңыз, шырын құмыранына қақпақты жауып қойыңыз.

Құралды қолдану

Бұл құрал тек барлық бөлшектері дұрыс жиналып, қақпағы берілген бекіткіштермен дұрыс бекітіліп, орнатылғанда ғана жұмыс жасайды.

- 1 Жеміс жидектерді немесе көкөністерді жуып, оларды қоректендіргіш түтікке сиятындай етіп турап, түтікке салыңыз. (Сурет 7)**
- 2 Шырын құмыраны шырын сыққыштың дәл мұрнының астына қойылғанын тексеріңіз.**
- 3 Бақылау түймесін 1 (төмен жылдамдық) бағдарламасына немесе 2 (нормалы жылдамдық) бағдарламасына апарып, құралды қосыңыз. (Сурет 8)**
 - 1 жылдамдық қарбыз, жүзім, қызанақ, қияр және құлпынай секілді жұмсақ жеміс жидектер мен көкөністерге арналған.
 - 2 жылдамдық барлық басқа жеміс жидектер мен көкөністер түрлеріне арналған.
- 4 Алдын ала турап қойған бөліктерді қоректендіретін түтікшеге салып, итергіштің көмегімен айналып жатқан фильтрге қарай жәймен ғана итеріңіз (Сурет 9).** Итергішке қатты салмақ түсірмеңіз, себебі ол соңғы нәтижеге әсерін тигізіп, фильтрді тоқтатып тастауы да мүмкін.

Қоректендіргіш түтікке ешқашан саусақтарыңызды немесе басқа заттарды салмаңыз.

Ингредиенттердің барлығын сығып болғаннан соң, шырынның шығуы тоқтағанын күтіңіз. Содан соң құралды өшіріп, фильтрдің айналғаны тоқтағанша күтіңіз.

- 5 Көбік ажыратқышты шырын ыдысына сырғытып енгізіңіз (1) содан соң қақпақты шырын ыдысына жабыңыз (2). Сонда сіз шырынды құйып алғанда, көбік сыртта қалады. (Сурет 10)**

Есте сақтаңыз: Есіңізде болсын: Егер сіз ішімдігіңізде көбік қабаты болсын десеңіз, көбік ажыратқышын қолданбаңыз.

Кеңестер

- Жаңа піскен жеміс жидектерді немесе көкөністерді қолданған дұрыс, себебі оларда шырын көп болады. Шырын сыққышқа ананас, қызылша, сельдерей жапырақтары, алма, қияр, сәбіз, шпинат, қауын, қызанақ және жүзім сияқты жеміс жидектер өте қолайлы.
- Жұқа қабықтар мен терілерді алудың қажеті жоқ. Тек қана қалың қабықтар, мысалы апельсин, ананас, пісірілмеген қызылша қабықтарын тазалау керек. Сонымен бірге цитрусты жидекердің ақ қабығын да алып тастаңыз, себебі олардың аштылау дәмі бар.
- Алма шырынын дайындағанда есіңізде болсын, алма шырынының қоюлығы сіздің қолданып жатқан алмаңыздың түріне байланысты болады. Алмаңыз шырынды болса, шырыныңіз қоюырақ болады. Өзіңізге ұнайтын шырын шығаратын алма түрін таңдаңыз.
- Алма шырыны дем арада қоңыр болып кетеді. Егер сіз лимон шырынының бірнеше тамшысын оған қоссаңыз, алма шырыны тез қоңырланбайды.
- Крахмалы бар жеміс жидектерді, мысалы: банан, папайя, авокадо, інжір немесе манго сияқты бұл шырын сыққыштан өткізуге болмайды. Ол үшін тамақ жасайтын құралды, немесе миксерлерді қолданғаныңыз дұрыс.
- Бұл шырын сыққыштан жапырақтарды немесе жапырақ бұтақтарын өткізуге болады.
- Шырыныңызды сығып болған күйде ішіп қойыңыз. Шырын таза ауада біраз уақыт тұрып қалса, ол өзінің дәмін және қоректену байлығын жоғалтады.
- Шырынды көп мөлшерде алу үшін, жеміс жидектерді әрдайым итергішпен төмен қарай жәймен итеріп отырыңыз.

- Өте қатты немесе талшықты/крахмалды қант қамысы секілді жемістерді шырын сыққыштан өткізуге болмайды.

Тазалау

Қырғыш жеке, қырғыш тазалағыш құралдарды, немесе жанар май, немесе ацетон тәріздес агрессивті сұйықтықтарды құралды тазалау үшін қолдануға болмайды.

Егер сіз құралды қолданғаннан соң бірден оны тазаласаңыз, ол жеңіл тазаланады.

- 1** Құралды өшіріп, қабырғадағы розеткадан шанышқыны алып, фильтірі айналып тоқтағанын күтіңіз.
- 2** Мотордағы кірленген бөлшектерді алып тастаңыз. Құралды мына тәртіп бойынша бөлшектерге бөліңіз:
 - Қабықтар жинағышты алып тастаңыз;
 - Итергішті алып тастаңыз;
 - Бекіткіштерді ашыңыз;
 - Қақпақты алып тастаңыз.
- 3** Шырын жинағышты фильтірімен бірге алыңыз (Сурет 11).
- 4** Бәрі бөлшектерді тазалауыш щеткамен жылы суда, жуғыш сұйықтықпен жуып, ағын су астында шайыңыз (Сурет 12).

Есте сақтаңыз: Барлық ажыратылатын бөлшектерді ыдыс жуғышта жууға болады. Пластикалық бөлшектерді ыдыс жуғыштың жоғарғы бөлігіне орнатыңыз. Олардың қыздыру элементінен ашақ қойылғандығын тексеріңіз.

- 5** Моторды дымқыл шүберекпен тазалаңыз.

Моторды суға немесе басқа сұйықтыққа батыруға болмайды, және оны ағын судың астында да шаюға болмайды.

Қоршаған айнала

- Құралды өз қызметін көрсетіп тозғаннан кейін, күнделікті үй қоқысымен бірге тастауға болмайды. Оның орнына бұл құралды арнайы жинап алатын жерге қайта өңдеу мақсатына өткізіңіз. Сонда сіз қоршаған айналаны сақтауға себіңізді тигізесіз. (Сурет 13)

Кепілдік және қызмет

Егер сізге ақпарат керек болса, немесе сізде ойландырған мәселе болса, Philips'тің интернет бетіндегі www.philips.com веб-сайтына келіңіз, немесе өзіңіздің еліңіздегі Philips Тұтынушылар Орталығына телефон шалсаңыз болады (оның нөмірін сіз дүние жүзі бойынша берілетін кепілдік кітапшасынан табасыз). Сіздің еліңізде Тұтынушылар Қамқорлық Орталығы жоқ болған жағдайда өзіңіздің жергілікті Philips дилеріңе арызданыңыз немесе Philips'тің Үйге арналған құралдар қызмет департаменті және Жеке Қамқор BV бөліміне арызданыңыз.

Рецепттер

Қуат коктейлі

- 2 шыны аяқ туралған сәбіз
- 1/2 шыны аяқ қияр
- 12 саумалдық жапырағы
- 1 аршылған лайм
- 1 шыны аяқ туралған балдыркөк
- 1 алма

- 1 қызанақ
- 2 ас қасық бал
- Балдан басқа ингредиенттердің бәрін шырын сыққышта шайқаңыз. Бал қосып, жақсылап араластырыңыз.
- Бірден ұсыныңыз, бірнеше мұз кесектерін қоссаңыз тіпті жақсы болады.

Жеміс жидек попури

- 4 орта мөлшерлі, сүйегі алынған сары өрік
- 2 шыны аяқ аршылған, кесектеліп туралған қауын
- 1 үлкен алма, ортасы тазаланған
- 1 тазаланған апельсин
- Жемістерді шырын сыққышта шайқаңыз, жақсылап араластырыңыз, бірнеше мұз кесектерін қосып, бірден ұсыныңыз.

Қызығушылық

- 6 сүйегі алынған сары өрік
- 2 шыны аяқ аршылған қауын
- 1/2 шыны аяқ апельсин шырыны
- Жемістерді шырын сыққышта шайқаңыз. Нәтижесінде шыққан қосындыны жақсылап араластырыңыз, 6 мұз кесегін қосыңыз.
- Бірден орта мөлшерлі бокалда құлпынаймен немесе шиенмен және апельсин тілімімен әшекейлеп бірден ұсыныңыз.

Қызғылт сары бұлт

- 1 шыны аяқ құлпынай
- 1 аршылған, ортасы алынған апельсин
- 1 шыны аяқ кесектеліп туралған, ортасын тазартылған алмұрт
- 1 туралған кішкене сәбіз
- Шырын сыққышта шайқаңыз. Жақсылап араластырыңыз.
- Бірден ұсыныңыз. Бірнеше мұз кесектерін қосыңыз.

Сиқырлы қосынды

- 1 шыны аяқ аршылған кесектелген ананас
- 1 шыны аяқ кесектелген алма, ортасы тазаланған
- 2 туралған кішкене сәбіз
- 1 тазаланған апельсин
- 2 бума балдыркөк, туралған
- 12 саумалдық жапырағы
- Жемістерді шырын сыққышта шайқаңыз, жақсылап араластырыңыз, бірнеше мұз кесектерін қосып, бірден ұсыныңыз.

Ананас, шабдалы және алмұрт шырыны

- Тазаланған және жартыға бөлінген 1/2 алмұрт
- 2 шабдалы, жартыға бөлінген және сүйектен тазаланған
- 2 кішкене піскен алмұрт, ортасы тазартылған
- Ананас, сары өрік және алмұртты шырын сыққышта сығыңыз. Бірден ұсыныңыз.

Таңғаларлық ананас тәтті наны

- 3/4 шыны аяқ ананас езбесі
- 10 ас қасық сары май
- 1 ас қасық құмшекер ұнтағы
- 2 жұмыртқа сарысы
- 1 шыны аяқ тәтті етілген қойытылған сүт

- 54 бисквит саусақтары
- 1/4 шыны аяқ су
- 1 шыны аяқ шекер
- 1 банкі тілімделген ананас
- 6-10 шиіе
- Шырын сыққышты ананас езбесін алу үшін қолданыңыз. Шайқаушының көмегімен сары майды крем тәрізді болғанша шайқаңыз. Жәймен қант, жұмыртқа сарысын және тәтті етілген қойытылған сүтті қосыңыз. Мамықтай болғанша шайқаңыз, содан соң, ананас езбесін қосыңыз.
- Тәтті нан пісіргіш серіппелі табақшаны сәл майлаңыз, содан соң консервіленген ананас сиропына сәл малынған бисквит саусақтарын табақшаға бір салым етіп салыңыз. Оны креммен жағыңыз, содан соң тағы бір салымын салыңыз, оны да креммен жағыңыз, сөйтіп қайталай беріңіз. Соңында креммен тағы жағыңыз. Тәтті нанды тоңазытқышта үш сағат бойы суытыңыз, содан соң табақшадан алыңыз.
- Шекер мен суды қайнатып, карамель жасаңыз. Тәтті нанды ананас тілімдерімен, шиімен, және карамель жіптерімен әшекейлеңіз. Серіппелі табақша қолдансаңыз, нәтижеңіз тамаша болады.

Сәбіз, алма және ананас тәтті наны

- 200 гр. сәбіз
- 200 гр. ананас
- 200 гр. алма
- 1 шыны аяқ кокос жаңғағы (үккіштен өткізілген)
- 3 шыны аяқ ұн
- 1 ас қасық ас содасы
- 1 ас қасық даршын
- 1 шыны аяқ шекер
- 1 шыны аяқ бал
- 4 жұмыртқа
- 1 шыны аяқ май
- 1 орама ваниль шекері
- 1 шыны аяқ туралған жаңғақ
- Сәбіз, ананас және алма кесектерін шырын сыққыштан өткізіңіз. Қабық жинағыштағы қабығын да қолданыңыз.
- Сәбіз, ананас және алма қабықтарын араластырыңыз. Бал, шекер, май және ваниль шекерін қосып, жақсылап шайқаңыз.
- Кокос және жаңғақты қосыңыз. Май жалатылған тәтті нан пісіргіш табақшаға қосындыны құйыңыз. 160 С температурасында шамамен 45-55 минут пісіріңіз.
- Осы қосындыдан керемет тәтті бөлішкелер де жасауға болады. Бөлішке формаларын төрттен үшін толтырып, 40 минуттай пісіріңіз.

Жеміс жидек және көкөністер мәліметтері

Жеміс жидек/ көкөністер	Витаминдер/минералдар	Килоджоуль/калорий саны	Шырын шығару жылдамдығы
Алмалар	С витамині	200 гр.=150 килоджоуль (72 калорий)	жоғары
Өріктер	Диеталық мінездемесі жоғары, калий бар	30 гр.=85 килоджоуль (20 калорий)	төмен

Жеміс жидек/көкөністер	Витаминдер/минералдар	Килоджоуль/калорий саны	Шырын шығару жылдамдығы
Қызылша	Жапырақты қоры, диеталық мінездемесі, С витамині және калий жақсы	160 гр.=190 килоджоуль (45 калорий)	жоғары
Қарамық	С витамині	125 гр.=295 килоджоуль (70 калорий)	төмен
Қарамық түбірі	С, В, В6, Е витаминдері, жапырақты және диеталық мінездеме	100 гр.=110 килоджоуль (26 калорий)	төмен
Қырыққабат	С витамині, жапырақты, калий және В6 диеталық мінездеме	100 гр.=110 килоджоуль (26 калорий)	жоғары
Сәбіз	А, С, В6 витаминдері және диеталық мінездеме	120 гр.=125 килоджоуль (30 калорий)	жоғары
Сельдерей	С витамині және жапырақты	80 гр.=55 килоджоуль (7 калорий)	жоғары
Қияр	С витамині	280 гр.=120 килоджоуль (29 калорий)	төмен
Фенхель	С витамині және диеталық мінездеме	300 гр.=145 килоджоуль (35 калорий)	төмен
Жүзім	С, В6 витаминдері және калий	125 гр.=355 килоджоуль (85 калорий)	төмен
Киви	С витамині және жапырақты	100 гр.=100 килоджоуль (40 калорий)	төмен
Қауын	С витамині, жапырақты, диеталық мінездеме және А витамині	200=210 килоджоуль (50 калорий)	төмен
Тегіс шабдалы	С, В3 витаминдері, калий және диеталық мінездеме	180 гр.=355 килоджоуль (85 калорий)	жоғары
Шабдалы	С, В3 витаминдері, калий және диеталық мінездеме	150 гр.=205 килоджоуль (49 калорий)	жоғары
Алмұрт	Диеталық мінездеме	150 гр.=250 килоджоуль (60 калорий)	жоғары
Ананас	С витамині	150 гр.=245 килоджоуль (59 калорий)	жоғары
Таңқурай	С витамині, темір, калий және магнезиум	125 гр.=130 килоджоуль (31 калорий)	төмен
Қызанақ	С витамині, диеталық мінездеме, Е витамині, жапырақты және А витамині	100 гр.=90 килоджоуль (22 калорий)	төмен

Ақаулықтарды табу

Бұл тармақ сіздің шырын сыққышыңызда болуы мүмкін кеңінен кездесетін мәселелерді атап өтеді. Толық ақпарат алу үшін әр түрлі тармақтарды оқыңыз. Егер сіз мәселелеріңізді шеше алмасаңыз, өзіңіздің еліңіздегі Philips Тұтынушылар Орталығына телефон шалсаңыз болады (оның нөмірін сіз дүние жүзі бойынша берілетін кепілдік кітапшасынан табасыз). Сіздің еліңізде Тұтынушылар Қамқорлық Орталығы жоқ болған жағдайда өзіңіздің жергілікті Philips дилеріне арызданыңыз немесе Philips қызмет орталығына арызданыңыз.

Келелі мәселе	Шешім
Құрал жұмыс жасамайды.	Құрал қауіпсіз жүйесімен қамтамасыз етілген. Егер оның бөлшектері дұрыс орнатылмаған болса, ол жұмыс жасамайды. Құралдың бөлшектері дұрыс қондырылғандығын тексеріңіз, алайда тексерер алдында құралды тоқтан суырыңыз.
Мотордан алғашқы бірнеше рет қолданған кезінде жаман иіс шығады.	Бұл нормалы нәрсе. Егер бірнеше рет қолданғаннан кейін де иіс кетпесе, сығып жатқан тағамдар көлемін және сығу уақытын тексеріңіз.
Құрал қатты шу шығарады, жаман иіс шығарады, қол тигізбейтіндей ысып кетеді, түтін шығарады, т.б.	Құралды өшіріп, тоқтан суырыңыз. Өзіңізге жақын орналасқан Philips қызмет орталығына немесе дилеріне арызданыңыз.
Фильтр қамалып қалды	Құралды өшіріңіз, қоректенетін түтікті тазалап, сығып жатқан жеміс жидек мөлшерін азайтыңыз.
Фильтр қоректенетін түтікке тиіп жатыр немесе сығып жатқан кезде қатты селкілдейді.	Құралды өшіріп, тоқтан суырыңыз. Фильтр шырын жинағышқа дұрыс орнатылған ба екендігін тексеріңіз. Фильтрдің астыңғы жағындағы қабырғалары жүргізуші тұтқаға дұрыс орнатылуы тиіс. Фильтр зақымдалмаған ба екендігін тексеріңіз. Жарықшақ болса, кесетін дискілер бос болса, немесе басқа дұрыс еместіктер құралдың жұмысты дұрыс емес жасауына әкеліп соғады.
	Егер фильтрі жарылып кеткен немесе зақымдалған болса, құралмен қолданбаңыз және ең жақын арадағы Philips Қызмет Орталығымен хабарласыңыз.

Ižanga

Sveikiname Jus įsigijus mūsų gaminį ir sveiki atvykę į „Philips“! Kad galėtumėte pasinaudoti visa „Philips“ siūloma parama, užregistruokite produktą adresu www.philips.com/welcome. Jūsų nauja sulčiaspaudė yra specialaus dizaino. Prietaisas pasviręs 5° kampu į sulčių sunkimosi angą tam, kad visos išspaustos sultys iš jo išbėgtų.

Bendrasis aprašas (Pav. 1)

- A** Stūmiklis
- B** Padavimo vamzdis
- C** Dangtis
- D** Filtras
- E** Sulčių rinktuvas
- F** Tirščių indas
- G** Gnybtai
- H** Valdymo rankenėlė
- I** Varomoji ašis
- J** Variklio įtaisas
- K** Laido saugykla
- L** Sulčių ašočio dangtelis
- M** Putų sietelis
- N** Sulčių ašotis
- O** Valymo šepetėlis

Svarbu

Prieš pradėdami naudotis prietaisu, atidžiai perskaitykite šį vartotojo vadovą ir saugokite jį, nes jo gali prireikti ateityje.

Pavojus

- Niekada nemerkite variklio į vandenį ar kitą skystį ir neskalaukite jo po tekančiu vandeniu.

Įspėjimas

- Prieš įjungdami prietaisą, patikrinkite, ar ant prietaiso stovo nurodyta įtampa atitinka vietinio tinklo įtampą.
- Nenaudokite prietaiso, kai kištukas, maitinimo laidas ar kitos dalys yra pažeistos.
- Jei pažeistas maitinimo laidas, vengiant rizikos, jį turi pakeisti „Philips“ darbuotojai, „Philips“ įgaliotasis techninės priežiūros centras arba kiti panašios kvalifikacijos specialistai.
- Šis prietaisas neskirtas naudoti asmenims (įskaitant vaikus), kuriems būdingi sumažėję fiziniai, jutimo arba protiniai gebėjimai, arba tiems, kuriems trūksta patirties ir žinių, nebent už jų saugą atsakingas asmuo prižiūrėjo arba nurodė, kaip naudoti prietaisą.
- Prižiūrėkite, kad vaikai nežaistų su prietaisu.
- Niekada nepalikite veikiančio prietaiso be priežiūros.
- Jei rasite įtrūkimų ar gedimų filtre, nesinaudokite prietaisu ir susisiekite su artimiausiu „Philips“ techninės priežiūros centru.
- Niekada nekiškite pirštų ar daiktų į padavimo vamzdį, kai prietaisas veikia. Šiam tikslui naudojamas tik stūmiklis.
- Nelieskite filtro dugne esančių mažų peiliukų. Jie yra labai aštrūs.

Atsargiai

- Prietaisas skirtas naudoti tik buityje.
- Niekada nenaudokite jokių kitų gamintojų arba „Philips“ specialiai nerekomenduojamų priedų arba dalių. Jei naudosite tokius priedus arba dalis, nebegalios jūsų garantija.
- Prieš įjungdami prietaisą, įsitinkite, kad visos dalys yra teisingai surinktos.
- Naudokite prietaisą tik tada, kai abu gnybtai yra užspausti.

- Gnybtus atkabinkite tik tada, kai prietaisas išjungtas ir filtras nebesisuka.
- Jei sulčiaspaudė smarkiai apkraunama, neleiskite jai veikti ilgiau nei 40 sekundžių, o po darbo leiskite pakankamai atvėsti. Nei viename receptų, kurie pateikti šiose instrukcijose, prietaisas smarkiai neapkraunamas.
- Nenuimkite tirščių indo prietaisui veikiant.
- Baigę naudotis, būtinai išjunkite prietaisą iš maitinimo tinklo.

Elektromagnetiniai laukai (EMF)

Šis „Philips“ prietaisas atitinka visus elektromagnetinių laukų (EMF) standartus. Tinkamai eksploatuojant prietaisą pagal šiame vartotojo vadove pateiktus nurodymus, remiantis dabartine moksline informacija, jį yra saugu naudoti.

Paruošimas naudoti

- 1 Išplaukite visas nuimamas dalis (žr. skyrių „Valymas“).
- 2 Ištraukite laidą iš maitinimo laido saugyklos, esančios prietaiso galinėje dalyje (Pav. 2).
- 3 Įstatykite sulčių rinktuvą į prietaisą (1). Truputį pakreipę į priekį tirščių rezervuarą, įstatykite jį į prietaisą (2). Pirmiausia įstatykite viršutinę dalį, o tada įstumkite dugną (Pav. 3). Kaip ištuštinti tirščių rezervuarą, kol spaudžiate sultis. Išjunkite prietaisą ir atsargiai išimkite tirščių rezervuarą.

Pastaba: Prieš tęsdami darbą, įstatykite į vietą tuščią tirščių indą.

- 4 Įstatykite filtrą į sulčių rinktuvą (1), laikykite dangtelį virš filtro ir nuleiskite jį į padėtį (2). (Pav. 4)

Įsitikinkite, kad filtras saugiai užsifiksavo ant varomosios ašies (pasigirsta spragtelėjimas)

Prieš naudojimą visada patikrinkite filtrą. Pastebėję įtrūkimų ar pažeidimų, nenaudokite prietaiso ir susisieki su artimiausiu „Philips“ techninės priežiūros centru arba nuneškite prietaisą į pirkimo vietą.

- 5 Norėdami įtvirtinti dangtelį, ant jo užspauskite du gnybtus (pasigirsta spragtelėjimas) (1). Užslinkite griovelį ant nedidelio išsikišimo padavimo vamzdžio (2) viduje ir stumkite stūmiklį į padavimo vamzdį (Pav. 5).

Patikrinkite, ar gnybtai užfiksuoti abiejose dangčio pusėse.

- 6 Sulčių ašotį padėkite po snapeliu (Pav. 6).

Ant sulčių ašočio uždėkite dangtį, kad sultys neišsilietų arba jei norite jas laikyti šaldytuve.

Prietaiso naudojimas

Prietaisas veiks tik tada, jei visos detalės buvo surinktos tinkamai, o dangtis reikiamai užfiksuotas gnybtais.

- 1 Nuplaukite vaisius ir / arba daržoves ir supjaustykite jas dalimis, telpančiomis į padavimo vamzdį. (Pav. 7)
- 2 Įsitikinkite, kad sulčių ašotis stovi po snapeliu.
- 3 Norėdami įjungti prietaisą, rankenėlę nustatykite į 1 (nedidelis greitis) arba 2 (normalus greitis) padėtį. (Pav. 8)
 - 1 greitis geriausiai tinka minkštiems vaisiams ir daržovėms, tokiems kaip arbūzai, vynuogės, pomidorai, agurkai ir avietės.
 - 2 greitis tinka visų rūšių vaisiams ir daržovėms.
- 4 Įdėkite supjaustytus gabalus į padavimo vamzdį ir švelniai spauskite juos stūmikliu besisukančio filtro link (Pav. 9).

Nespauskite stūmiklio per stipriai, nes tai gali paveikti produkto kokybę ar netgi sustabdyti filtrą.

Niekada nekiškite pirštų ar kitų daiktų į padavimo vamzdį.

Kai perdirbote visus produktus ir sultys nustojo tekėjusios, išjunkite prietaisą ir palaukite, kol filtras nustos sukstis.

- 5** Įstumkite putų sietelį į sulčių ąsotį (1) ir ant sulčių ąsočio uždėkite dangtį (2). Tokiu būdu, putos liks už ąsočio, kai sultis išpilsite. (Pav. 10)

Pastaba: Pastaba: Jei norite, kad jūsų gėrimas būtų su putomis, putų sietelio nenaudokite.

Patarimai

- Naudokite šviežius vaisius ir daržoves, nes juose yra daugiau sulčių. Ananasai, burokėliai, salierai, obuoliai, agurkai, morkos, špinatai, melionai, pomidorai, granatai, apelsinai ir vynuogės yra ypač tinkami perdirbti sulčiaspaudėje.
- Nereikia nulupti plonų žievelių. Būtina nulupti tik storas žievelės, t. y. apelsinų, ananasų, obuolių ir nevirtų burokėlių. Taip pat pašalinkite baltą citrusinių vaisių šerdį, nes jis yra karti.
- Spausdami obuolių sultis, atminkite, kad obuolių sulčių tirštumas priklauso nuo naudojamų obuolių rūšies. Kuo sultingesni obuoliai, tuo skystesnės yra sultys. Pasirinkite tokius obuolius, iš kurių išspaudžiamos jūsų mėgstamos sultys.
- Obuolių sultys greitai paruduoja. Procesą galite sulėtinti, įlašinę keletą citrinos sulčių lašų.
- Vaisių, turinčių krakmolo (bananų, papajos, avokadų, figų ir mangų) negalima apdoroti sulčiaspaudėje. Šiems vaisiams apdoroti naudokite virtuvės kombainą, maišytuvą ar stalinį maišytuvą.
- Lapai ir lapkočiai, pvz., salotos taip pat gali būti perdirbami sulčiaspaudėje.
- Gerkite ką tik išspausintas sultis. Kiek pastovėjusios sultys praras skonį ir maistines savybes.
- Norėdami išspausti daugiau sulčių, visuomet spauskite stūmiklį lėtai.
- Sulčiaspaudė nėra pritaikyta perdirbti labai kietus ir / arba pluoštinius / krakmolingus vaisius ar daržoves, tokius kaip cukrašvendrės.

Valymas

niekada nenaudokite šiuurkščių kempinių, šlifuojamųjų valiklių arba ėsdinančių skysčių, pvz., benzino arba acetono prietaisui valyti.

Prietaisą yra lengviau išvalyti iš karto po naudojimo.

- 1** Išjunkite prietaisą, ištraukite kištuką iš maitinimo lizdo ir palaukite, kol filtras nustos sukstis.

- 2** Nuimkite nešvarias dalis nuo variklio korpuso. Prietaisą išardykite tokia tvarka:

- Nuimkite tirščių indą;
- Nuimkite stūmiklį;
- Atlaisvinkite gnybtus;
- Nuimkite dangtelį.

- 3** Sulčių rinktuvą išimkite kartu su filtru (Pav. 11).

- 4** Šias dalis išvalykite valymo šepetėliu šiltame vandenyje, naudodami nedidelį kiekį indų ploviklio ir išskalaukite jas po tekančiu vandeniu (Pav. 12).

Pastaba: Visas išardomas dalis galima plauti indaplovėje. Padėkite nuimamas plastikines dalis ant viršutinio indaplovės padėklo. Įsitikinkite, kad jos yra pakankamai toli nuo kaitinamojo elemento.

- 5** Variklio korpusą nuvalykite drėgna šluoste.

Niekada nemerkite variklio į vandenį ir neplaukite tekančiu iš čiaupo vandeniu.

Aplinka

- Susidėvėjusio prietaiso neišmeskite su įprastomis buitinėmis atliekomis, o nuneškite jį į oficialų surinkimo punktą perdirbti. Taip prisidėsite prie aplinkosaugos (Pav. 13).

Garantija ir techninė priežiūra

Jei jums reikia informacijos ar kyla problemų, apsilankykite „Philips“ tinklalapyje www.philips.com arba kreipkitės į jūsų šalyje esantį „Philips“ klientų aptarnavimo centrą (telefono numerį rasite visame pasaulyje galiojančiame garantijos lankstinuke). Jei jūsų šalyje nėra klientų aptarnavimo centro, kreipkitės į vietinį „Philips“ pardavėją arba „Philips“ buitinės technikos priežiūros skyrių.

Receptai

Energijos kokteilis

- 2 puodeliai nuluptų morkų
- 1/2 puodelio agurko
- 12 špinato lapų
- 1 nuluptas laimas
- 1 puodelis nulupto saliero
- 1 obuolys
- 1 pomidoras
- 2 valg. šaukštai medaus
- Sulčiaspaude išspauskite visų produktų sultis. Įdėkite medų ir gerai išmaišykite.
- Pateikite iš karto, įdėję keletą ledo kubelių (jei pageidaujate).

Vaisių popuri

- 4 vidutinio dydžio abrikosai be kauliukų
- 2 puodeliai nulupto meliono, supjaustyto kubeliais
- 1 didelis obuolys be sėklų
- 1 nuluptas apelsinas
- Sulčiaspaude išspauskite vaisių sultis, gerai išmaišykite, pridėkite keletą ledo kubelių ir iš karto pateikite.

Pagunda

- 6 abrikosai be kauliukų
- 2 puodeliai nulupto meliono
- 1/2 puodelio apelsinų sulčių
- Sulčiaspaude išspauskite vaisius. Gerai išmaišykite gautas sultis. Pridėkite 6 ledo kubelius.
- Pateikite iš karto vidutinio dydžio stiklinėse, papuoštose braškėmis ar maraskino vyšniomis ir apelsino skiltele.

Rausvas debesis

- 1 puodelis braškių
- 1 nuluptas apelsinas pašalinta šerdimi
- 1 puodelis kubeliais supjaustytų kriaušių be sėklų
- 1 maža nulupta morka
- Išspauskite sulčiaspaude. Kruopščiai išmaišykite.
- Pateikite iš karto. Pridėkite keletą ledo kubelių.

Stebuklingas ekstraktas

- 1 puodelis nulupto ananaso kubelių
- 1 puodelis kubeliais supjaustytų obuolių be sėklų
- 2 mažos nuluptos morkos

- 1 nuluptas apelsinas
- 2 nulupti saliero stiebai
- 1 nuluptas laimas
- **Sulčiaspaude išspauskite vaisių sultis. Gerai išmaišykite. Pridėkite keletą ledo kubelių. Patiekite iš karto.**

Ananasų, persikų ir kriaušių sultys

- 1/2 nulupto ananaso, perpjauto pusiau
- 2 persikai be kauliukų, perpjauti pusiau
- 2 mažos prinokę kriaušės be kauliukų
- **Ananasų, persikų ir kriaušių sultis išspauskite sulčiaspaude. Patiekite iš karto.**

Netikėtas ananasų pyragas

- 3/4 puodelio išspausių ananasų sulčių
- 10 valg. šaukštai sviesto
- 1 valg. šaukštas cukraus pudros
- 2 kiaušinio tryniai
- 1 puodelis saldinto kondensuoto pieno
- 54 pailgi biskvitiniai sausainiai
- 1/4 puodelio vandens
- 1 puodelis cukraus
- 1 skardinė griežinėliais pjaustytų ananasų.
- 6-10 maraskino vyšnių
- **Sulčiaspaude išspauskite ananasų sultis. Plaktuvu plakite sviestą, kol jis taps kremo konsistencijos. Lėtai pilkite cukrų, kiaušinių trynius ir saldintą kondensuotą pieną. Plakite toliau iki purumo, tada įpilkite ananasų sultis.**
- **Šiek tiek patepkite banguotą kepimo formą sviestu ir suformuokite pyragą, padengdami formos apačią ir kraštus biskvitiniais sausainiais, šiek tiek suvilgytais ananasų sirupu iš skardinės. Tada padenkite juos sluoksniu kremo, uždėkite dar vieną sluoksnį biskvitinių sausainių, ir t.t. Užbaikite kremo sluoksniu. Atvėsinkite pyragą šaldytuve tris valandas ir tada išimkite jį iš formos.**
- **Virdami vandenį kartu su cukrumi, pagaminkite karamelę. Papuoškite pyragą ananasų griežinėliais, maraskino vyšniomis ir karamelės gijomis. Naudodami banguotą formą, pasieksite geriausių rezultatų.**

Morkų, obuolių ir ananasų pyragas

- 200 g morkų
- 200 g ananasų
- 200 g obuolių
- 1 puodelis kokoso (tarkuoto)
- 3 puodeliai miltų
- 1 valg. šaukštas geriamosios sodos
- 1 valg. šaukštas cinamono
- 1 puodelis cukraus
- 1 puodelis medaus
- 4 kiaušiniai
- 1 puodelis aliejaus
- 1 pakelis vanilinio cukraus
- 1 puodelis smulkintų riešutų
- **Išspauskite morkų, ananasų ir obuolių gabalėlių sultis. Naudokite minkštimą, sukauptą tirščių rezervuare.**

- ▶ Sumaišykite morkų, ananasų ir obuolių minkštimą. Pridėkite medaus, cukraus, aliejaus, vanilinio cukraus ir gerai suplakite. Sijodami berkite sausus produktus ir maišykite, kol susidarys vientisa masė.
- ▶ Įmaišykite kokosą ir riešutus. Supilkite į riebalais išteptą kepimo skardą. Kepkite 160 °C temperatūroje apie 45–55 min.
- ▶ Iš šio mišinio taip pat pagaminsite puikius pyragėlius. Užpildykite pyragėlių formeles iki 3/4 ir kepkite 40 min.

Informacija apie vaisius ir daržoves

Vaisius/ daržovė	Vitaminai/mineralai	Kilodžauliai/kalorijos	Sulčių išspaudimo greitis
Obuoliai	Vitaminas C	200 g = 150 kJ (72 kalorijos)	didelis
Abrikosai	Daug ląstelių, yra kalio	30 g = 85 kJ (20 kalorijų)	mažas
Burokėlis	Geras dietinės ląstelių vitamino C ir kalio šaltinis	160 g = 190 kJ (45 kalorijos)	didelis
Mėlynės	Vitaminas C	125 g = 295 kJ (70 kalorijų)	mažas
Briuselio kopūstai	Vitaminai C, B, B6, E, dietinė ląsteliena	100 g = 110 kJ (26 kalorijos)	mažas
Kopūstai	Vitaminas C, kalis, B6 ir dietinė ląsteliena	100 g = 110 kJ (26 kalorijos)	didelis
Morkos	Vitaminai A, C, B6 ir dietinė ląsteliena	120 g = 125 kJ (30 kalorijų)	didelis
Salierai	Vitaminas C ir kalis	80 g = 55 kJ (7 kalorijos)	didelis
Agurkai	Vitaminas C	280 g = 120 kJ (29 kalorijos)	mažas
Pankolis	Vitaminas C ir dietinė ląsteliena	300 g = 145 kJ (35 kalorijos)	mažas
Vynuogės	Vitaminas C, B6 ir kalis	125 g = 355 kJ (85 kalorijos)	mažas
Kiviai	Vitaminas C ir kalis	100 g = 100 kJ (40 kalorijų)	mažas
Melionai	Vitaminas C, dietinė ląsteliena ir vitaminas A	200 = 210 kJ (50 kalorijų)	mažas
Nektarinai	Vitaminai C, B3 ir dietinė ląsteliena	180 g = 355 kJ (85 kalorijos)	didelis
Persikai	Vitaminai C, B3 ir dietinė ląsteliena	150 g = 205 kJ (49 kalorijos)	didelis
Kriaušės	Dietinė ląsteliena	150 g = 250 kJ (60 kalorijų)	didelis
Ananasai	Vitaminas C	150 g = 245 kJ (59 kalorijos)	didelis
Avietės	Vitaminas C, geležis, kalis ir magnis	125 g = 130 kJ (31 kalorija)	mažas
Pomidorai	Vitaminas C, dietinė ląsteliena, vitaminas E ir A	100 g = 90 kJ (22 kalorijos)	mažas

Trikčių nustatymas ir šalinimas

Šiame skyriuje yra nurodytos dažniausiai su jūsų sulčiaspaude išylančios problemos. Išsamesnei informacijai gauti, perskaitykite skirtingus skirsnius. Jei jums nepavyko išspręsti problemos, susisieki su savo šalies „Philips“ klientų aptarnavimo centru (jo telefono numerį rasite visame pasaulyje galiojančios garantijos lankstinuke). Jei jūsų šalyje klientų aptarnavimo centro nėra, kreipkitės į vietinį „Philips“ platintoją ar artimiausią „Philips“ aptarnavimo centrą.

Trikdis	Sprendimas
Prietaisas neveikia.	Prietaisas turi apsaugos sistemą. Jis neveiks, jeigu jo dalys sudėtos netinkamai. Išjungę prietaisą, patikrinkite, ar visos dalys sujungtos teisingai.
Pirmuosius prietaiso naudojimo kartus variklio blokas skleidžia nemalonų kvapą.	Tai įprasta. Jei ir toliau jusite šį kvapą, patikrinkite, ar ne per daug vaisių arba daržovių dedate.
Prietaisas kelia daug triukšmo, skleidžia nemalonų kvapą, yra karštas, rūksta ir pan.	Išjunkite prietaisą ir ištraukite kištuką iš maitinimo lizdo. Kreipkitės į artimiausią „Philips“ techninės priežiūros centrą arba į pardavėją.
Filtrus užsikimšęs.	Išjunkite prietaisą, išvalykite padavimo vamzdį, filtrą ir tęskite darbą, naudodami mažesnį produktų kiekį.
Filtrus liečia padavimo vamzdį ar darbo metu stipriai vibruoja.	Išjunkite prietaisą ir ištraukite kištuką iš maitinimo lizdo. Patikrinkite, ar filtras tinkamai įdėtas į sulčių rinktuvą. Filto apačioje esančios briaunos turėtų tinkamai užsifikuoti ant varomosios ašies. Patikrinkite, ar filtras nėra sugadintas. Įskilimai, įtrūkimai, smulkinimo disko atsipalaidavimas ar kiti nesklaidumai gali sukelti gedimą.
	Jei rasite įtrūkimų ar gedimų filtre, nebesinaudokite prietaisu ir kreipkitės į artimiausią „Philips“ techninės priežiūros centrą.

Ievads

Apsveicam ar pirkumu un laipni lūdzam Philips! Lai pilnībā gūtu labumu no Philips piedāvātā atbalsta, reģistrējiet savu produktu www.philips.com/welcome.

Jūsu jaunajai sulas spiedeī ir īpašs, nedaudz ieliekts dizains, kas noliecas par 5 ° uz sulas izplūdes atveres pusi, lai nodrošinātu maksimālu sulas izplūdi.

Vispārējs apraksts (Zīm. 1)

- A** Bīdnis
- B** Padevējcaurule
- C** Vāks
- D** Filtrs
- E** Sulas savācējs
- F** Mīkstuma tvertne
- G** Aizspiedņi
- H** Vadības slēdzis
- I** Vadības vārpsta
- J** Motora nodalījums
- K** Elektrības vada glabātuve
- L** Sulas krūzes vāks
- M** Putu atdalītājs
- N** Sulas krūze
- O** Tīrīšanas suka

Svarīgi

Pirms ierīces lietošanas uzmanīgi izlasiet šo lietošanas pamācību un saglabājiet to, lai vajadzības gadījumā varētu ieskatīties tajā arī turpmāk.

Briesmas

- Neiegrimdējiet motora nodalījumu ūdenī vai kādā citā šķidrumā un neskalojiet to zem krāna.

Brīdinājums

- Pirms ierīces pievienošanas elektrotīklam pārbaudiet, vai uz ierīces pamatnes norādītais spriegums atbilst elektrotīkla spriegumam jūsu mājās.
- Nelietojiet ierīci, ja bojāta tās kontaktdakša, elektrības vads vai citas sastāvdaļas.
- Ja elektrības vads ir bojāts, jums jānomaina tas Philips pilnvarotā servisa centrā vai līdzīgi kvalificētam personām, lai izvairītos no bīstamām situācijām.
- Šo ierīci nevar izmantot personas (tai skaitā bērni) ar fiziskiem, maņu vai garīgiem traucējumiem vai ar nepietiekamu pieredzi un zināšanām, kamēr par viņu drošību atbildīgā persona nav īpaši viņus apmācījusi izmantot šo ierīci.
- Jānodrošina, lai ar ierīci nevarētu rotaļāties mazi bērni.
- Nekad neatstājiet ieslēgtu ierīci bez uzraudzības.
- Ja filtrā esat konstatējis spraugas vai filtrs ir kaut kā bojāts, vairs neizmantojiet ierīci, bet sazinieties ar tuvāko Philips servisa centru.
- Kamēr ierīce darbojas, nekad nebāziet pirkstus vai priekšmetus padevējcaurulē. Šīm mērķim lietojiet tikai bīdni.
- Nepieskarieties mazajiem asmeņiem filtra pamatnē. Tie ir ļoti asi.

Ievērbai

- Ierīce ir paredzēta tikai lietošanai mājāsaimniecībā.
- Nekad neizmantojiet citu ražotāju aksesuārus vai detaļas, vai kuras īpaši nav rekomendējis Philips. Ja izmantojat šādus piederumus vai detaļas, jūsu garantija vairs nav spēkā esoša.
- Pirms ierīces ieslēgšanas, pārlicinieties, ka visas detaļas ir atbilstoši uzvietotas.
- Izmantojiet ierīci tikai tad, ja abi aizspiedņi ir noslēgti.

- Aizspiedņus atveriet tikai pēc tam, kad esat izslēdzis ierīci un filtrs vairs nerotē.
- Spiežot lielus produktu daudzumus, vienā reizē nedarbiniet smagi noslogotu sulu spiedi ilgāk par 40 sekundēm un pēc tam ļaujiet ierīcei atdzist. Neviena no šajā lietošanas instrukcijā ietvertajām receptēm nerada smagu noslogojumu.
- Ierīcei darbojoties, neizņemiet mīkstuma tvertni.
- Pēc lietošanas vienmēr atslēdziet ierīci no sienas kontaktligzdas.

Elektromagnētiskie Lauki (EMF)

Šī Philips ierīce atbilst visiem standartiem saistībā ar elektromagnētiskiem laukiem (EMF). Ja rīkojaties atbilstoši un saskaņā ar instrukcijām šajā rokasgrāmatā, ierīce ir droši izmantojama saskaņā ar mūsdienās pieejamajiem zinātniskiem datiem.

Sagatavošana lietošanai

- 1 **Nomazgājiet visas noņemamās detaļas (skatiet nodaļā 'Tīrīšana').**
- 2 **Izvelciet elektrības vadu no vada uzglabāšanas nodalījuma ierīces aizmugurē (Zīm. 2).**
- 3 **Ievietojiet sulas savācēju ierīcē (1). Ievietojiet mīkstuma tvertni ierīcē, paliecot to nedaudz uz priekšu (2). Vispirms ievietojiet mīkstuma tvertnes augšdaļu un tad paspiediet apakšdaļu (Zīm. 3).**

Lai iztukšotu mīkstuma tvertni sulas spiešanas laikā. Izslēdziet ierīci un uzmanīgi noņemiet mīkstuma tvertni.

Piezīme: Pirms turpiniet spiest sulu, atkārtoti pievienojiet tukšo mīkstuma tvertni.

- 4 **Ievietojiet filtru sulas savācējā (1). Turiet vāku virs filtra un tad nolaidiet to atbilstošā pozīcijā (2) (Zīm. 4).**

Pārlicinieties, ka filtrs ir droši uzstādīts uz vadības vārpstas (atskan klikšķis).

Pirms izmantošanas vienmēr pārbaudiet filtru. Ja ievērojat bojājumu vai kādu plaisu, neizmantojiet vairs ierīci un sazinieties ar tuvāko Philips servisa centru vai aizvediet ierīci pie sava izplatītāja.

- 5 **Piestipriniet divus aizspiedņus vākam, lai to noslēgtu vietā (atskan klikšķis) (1). Izlīdziniet gropi bīdnī ar mazo izvīzījumu padevējcaurules iekšpusē un uzbīdīet bīdni uz padevējcaurules (2) (Zīm. 5).**

Pārlicinieties, ka aizspiedņi ir fiksēti atbilstošā pozīcijā abās vāka pusēs.

- 6 **Novietojiet sulas krūzi zem snīpīša (Zīm. 6).**

Lai izvairītos no šļakstiem vai ja vēlaties glabāt sulu ledusskapī, novietojiet vāku uz sulas krūzes.

Ierīces lietošana

Ierīce darbosies tikai tad, ja visas daļas ir atbilstoši savietotas un vāks ir atbilstoši noslēgts vietā ar aizspiedņiem.

- 1 **Nomazgājiet augļus un/vai dārzeņus un sagrieziet tos gabaliņos, kurus var ievietot padevējcaurulē. (Zīm. 7)**
- 2 **Pārlicinieties, ka sulas krūze ir novietota zem snīpīša.**
- 3 **Pagrieziet vadības slēdzi uz iestatījumu 1 (mazs ātrums) vai 2 (vidējs ātrums), lai ieslēgtu ierīci. (Zīm. 8)**
 - 1. ātrums ir īpaši piemērots mīkstiem augļiem un dārzeņiem, piemēram, melonēm, vīnogām, tomātiem, gurķiem un avenēm.
 - 2. ātrums ir piemērots visu veidu augļiem un dārzeņiem.
- 4 **Ievietojiet iepriekš sagrieztus gabaliņus padevējcaurulē un maigi nospiediet tos leju uz rotējošā filtra ar bīdni (Zīm. 9).**

Neizdariet pārlietu spiedienu uz bīdni, jo tas var ietekmēt gala rezultāta kvalitāti un pat apturēt filtru.

Nekad neievietojiet pirkstus vai priekšmetus padevējcaurulē.

Pēc tam, kad esat pārstrādājis visus produktus un sula vairs netek, izslēdziet ierīci un nogaidiet, kamēr filtrs vairs nerotē.

5 Iebīdīet putu atdalītāju sulas krūzē (1) un uzlieciet vāciņu uz sulas krūzes (2). Šādā veidā putas paliek krūzē, izlejot sulu. (Zīm. 10)

Piezīme: Ja vēlaties, lai jūsu dzērienam būtu putu kārtiņa, neizmantojiet putu atdalītāju.

Padomi

- Izmantojiet svaigus augļus un dārzeņus, jo tajos ir vairāk sulas. Ananāsi, bietes, seleriju kāti, āboli, gurķi, burkāni, spināti, melones, tomāti, granātāboli, apelsīnu un vīnogas ir īpaši piemēroti pārstrādei sulas spiedē.
- Plānas mizas nav jānoņem. Ir jānomizo tikai biezas mizas, piemēram, apelsīniem, ananāsiem un nevārtītām bietēm. Citrusaugļiem izņemiet arī balto serdi, jo tai ir rūgta garša.
- Spiežot ābolu sulu, atcerieties, ka ābolu sulas blīvums ir atkarīgs no izmantojamo ābolu šķirnes. Jo sulīgāki āboli, jo blīvāka sula. Izvēlieties ābolu šķirni, no kuras var iegūt jūsu iemīļotāko sulu.
- Ābolu sula ļoti ātri kļūst brūna. Lai palēninātu šo procesu, nedaudz pievienojot citronu sulas.
- Augļi, kas satur cieti, piemēram, banāni, papaijas, avokado, vīģes un mango, nav piemēroti apstrādei sulas spiedē. Lai apstrādātu šos augļus, izmantojiet pārtikas kombainu, blenderi vai bāra blenderi.
- Sulu spiedē var arī apstrādāt, piemēram, salātu lapas un lapu kātus.
- Izdzeriet sulu uzreiz pēc tās pagatavošanas. Ja kādu laiku tā ir pakļauta gaisa iedarbībai, sula zaudēs savu garšu un uzturvērtību.
- Lai iegūtu maksimālo sulas daudzumu, vienmēr spiediet bīdni uz leju ļoti lēni.
- Sulu spiede nav piemērota ļoti cietu un/vai šķiedrainu/ar cieti bagātu augļu vai dārzeņu, piemēram, cukurniedru, pārstrādei.

Tīrīšana

Ierīces tīrīšanai nekad nelietojiet nekādus beržamos vīškus, abrazīvus tīrīšanas līdzekļus vai agresīvus šķidrums, piemēram, spirtu, benzīnu vai acetonu.

Ierīce ir vieglāk tīrāma, ja to dara uzreiz pēc izmantošanas.

1 Izslēdziet ierīci, izvelciet kontaktdakšu no sienas kontaktligzdas un nogaidiet, kamēr filtrs apstāsies.

2 Izņemiet netīrās detaļas no motora nodalījuma. Izjauciet ierīci šādā kārtībā:

- noņemiet mīkstuma tvertni;
- izņemiet bīdni;
- atveriet aizspiedņus;
- Noņemiet vāku.

3 Noņemiet sulas savācēju kopā ar filtru (Zīm. 11).

4 Mazgājiet šīs detaļas remdenā ūdenī ar nedaudz tīrīšanas līdzekļa un tīrīšanas suku un izskalojiet tās zem krāna ūdens (Zīm. 12).

Piezīme: Visas noņemamās detaļas var mazgāt trauku mazgājamā mašīnā. Novietojiet noņemamās plastmasas detaļas trauku mazgājamās mašīnas augšējā paplātē. Pārliecinieties, ka tās neatrodas sildīšanas elementa tuvumā.

5 Tīriet motora nodalījumu ar mitru drāniņu.

Nekādā gadījumā nemērciet motora nodalījumu ūdenī un neskalojiet to zem krāna.

Vides aizsardzība

- Pēc ierīces kalpošanas laika beigām, neizmetiet to kopā ar sadzīves atkritumiem, bet nododiet to oficiālā savākšanas punktā pārstrādei. Tādā veidā jūs palīdzēsiet saudzēt apkārtējo vidi (Zīm. 13).

Garantija un apkalpošana

Ja nepieciešama palīdzība vai informācija, lūdzu, izmantojiet Philips tīmekļa vietni www.philips.com vai sazinieties ar savas valsts Philips Pakalpojumu centru (tā tālruna numurs atrodams pasaules garantijas brošūrā). Ja jūsu valstī nav Philips Pakalpojumu centra, griezieties pie Philips preču tirgotājiem vai Philips Sadzīves un personīgās higiēnas ierīču nodaļas pakalpojumu dienesta.

Receptes

Energijas kokteilis

- 2 tases sasmalcinātu burkānu
- 1/2 tase gurķu
- 12 spinātu lapas
- 1 nomizots laims
- 1 tase sasmalcināta selerija
- 1 ābols
- 1 tomāts
- 2 ēdamkarotes medus
- **Pārstrādājiet visas sastāvdaļas, izņemot medu, sulu spiedē. Pievienojiet medu un labi samaisiet.**
- **Pasniedziet nekavējoties, pievienojot dažus ledus gabaliņus pēc paša vēlmes.**

Augļu popurijs

- 4 vidēji lielas aprikozes bez kauliņiem
- 2 tases nomizotas kubiņos sagrieztas melones
- 1 liels ābols bez serdes
- 1 nomizots apelsīns
- **Pārstrādājiet augļus sulu spiedē, labi samaisiet, pievienojiet dažus ledus gabaliņus un nekavējoties pasniedziet.**

Kārdinājums

- 6 aprikozes bez kauliņiem
- 2 tases nomizotas melones
- 1/2 tase apelsīnu sulas
- **Pārstrādājiet augļus sulu spiedē. Rūpīgi samaisiet. Pievienojiet 6 ledus gabaliņus.**
- **Pasniedziet nekavējoties vidēja izmēra glāzēs, izrotātās ar zemenēm vai liķiera ķiršiem un apelsīna šķēlīti.**

Rozā mākonis

- 1 tase zemeņu
- 1 nomizots apelsīns ar tukšu vidu
- 1 tase kubiņos sagriežta bumbiera bez serdes
- 1 mazs sasmalcināts burkāns
- **Pārstrādājiet sulu spiedē. Rūpīgi samaisiet.**
- **Nekavējoties pasniedziet. Pievienojiet dažus ledus gabaliņus.**

Gabaliņš brīnuma

- 1 tase nomizota kubiņos sagriežta ananāsa
- 1 tase kubiņos sagriežta ābola bez serdes
- 2 mazi sasmalcināti burkāni

- 1 nomizots apelsīns
- 2 kāti sasmalcināta selerija
- 1 nomizots laims
- **Pārstrādājiet auglus sulu spiedē.**Rūpīgi samaisiet. Pievienojiet dažus ledus gabaliņus. Nekavējoties pasniedziet.

Ananāsu, persiku un bumbieru sula

- 1/2 nomizota un uz pusēm sagriezta ananāsa
- 2 uz pusēm pārgriezti persiki bez kauliņiem
- 2 mazi nogatavojušies bumbieri bez serdes
- **Pārstrādājiet ananāsu, persikus un bumbierus sulu spiedē.** Pasniedziet nekavējoties.

Pārsteiguma ananāsu kūka

- 3/4 tases ananāsu ekstrakta
- 10 ēdamkarotes sviesta
- 1 ēdamkarote pūdercukura
- 2 olas dzeltenumi
- 1 tase kondensēta piena ar cukuru
- 54 dāmu pirkstiņi (cepumi)
- 1/4 tase ūdens
- 1 tase cukura
- 1 bundža šķēlēs sagriezta ananāsa.
- 6-10 liķiera ķirši
- **Lietojiet sulu spiedi, lai iegūtu ananāsu ekstraktu.**Ar mikseri sakuliet sviestu, līdz tas kļūst biezs. Lēnām pievienojiet cukuru, olu dzeltenumus un kondensēto pienu ar cukuru. Turpiniet kult, līdz iegūstat gaisīgu masu un tad pievienojiet ananāsu ekstraktu.
- **Iesmērējiet kvadrātveida veidni ar nedaudz sviesta un veidojiet kūku, pārklājot tās apakšu un malas ar dāmu pirkstiņiem, kas nedaudz samitrināti konservēto ananāsu sīrupā.**Tad pievienojiet krēma kārtu un tad vēl vienu kārtu ar dāmu pirkstiņiem un tā līdz galam. Noslēdziet ar krēma kārtu. Atdzesējiet kūku ledusskapī trīs stundas, un tad izņemiet no veidnes.
- **No vāroša cukura un ūdens uztaisiet karameli.**Dekorējiet kūku ar ananāsu šķēlītēm, liķiera ķiršiem un karameles pavedieniem. Izmantojot kvadrātveida veidni tiek iegūts vislabākais rezultāts.

Burkānu, ābolu un ananāsu kūka

- 200g burkānu
- 200g ananāsu
- 200g ābolu
- 1 tase kokosrieksta (skaidiņas)
- 3 tases miltu
- 1 ēdamkarote cepamās sodas
- 1 ēdamkarote kanēļa
- 1 tase cukura
- 1 tase medus
- 4 olas
- 1 tase eļļas
- 1 paciņa vaniļas cukura
- 1 tase sasmalcinātu riekstu
- **Izspiediet sulu no burkānu, ananāsu un ābolu gabaliņiem.**Izmantojiet mīkstumā tvertnē radušos mīkstumumu.
- **Sajauciet burkānu, ananāsu un ābolu mīkstumumu.**Pievienojiet medu, cukuru, eļļu un vaniļas cukuru un rūpīgi samaisiet. Iesijājiet sausās sastāvdaļas, līdz tās iemaisītas masā.

- Samaisiet kokosriekstu un riestus. Ielejiet ietaukotā cepamajā veidnē. Cepiet 160 °C apmēram 45-55 minūtes.
- No šī maisījuma var pagatavot arī lieliskus kūkus. Aizpildiet kūku veidnes 3/4 pilnas un cepiet 40 minūtes.

Informācija par augļiem un dārzeņiem

Augļi/dārzeņi	Vitamīni/minerālvielas	Kilodžoulu/kaloriju skaits	Sulas spiešanas ātrums
Āboli	C vitamīns	200g=150kJ (72 kalorijas)	augsts
Aprikozes	Daudz diētisku šķiedru, satur kāliju	30g=85kJ (20 kalorijas)	zems
Bietes	Labs folijskābes sāļu, diētisku šķiedru, C vitamīna un kālija avots	160g=190kJ (45 kalorijas)	augsts
Mellenes	C vitamīns	125g=295kJ (70 kalorijas)	zems
rožu kāposti	C, B, B6, E vitamīns, folijskābes sāļi un diētiskas šķiedras	100g=110kJ (26 kalorijas)	zems
Kāposti	C vitamīns, folijskābes sāļi, kālijs, B6 un diētiskas šķiedras	100g=110kJ (26 kalorijas)	augsts
Burkāni	A vitamīns, C, B6 un diētiskas šķiedras	120g=125kJ (30 kalorijas)	augsts
Selerijas	C vitamīns un kālijs	80g=55kJ (7 kalorijas)	augsts
Gurķis	C vitamīns	280g=120kJ (29 kalorijas)	zems
Fenhelis	C vitamīns un diētiskas šķiedras	300g=145kJ (35 kalorijas)	zems
Vīnogas	C vitamīns, B6 un kālijs	125g=355kJ (85 kalorijas)	zems
Kivi	C vitamīns un kālijs	100g=100kJ (40 kalorijas)	zems
Melones	C vitamīns, folijskābes sāļi, diētiskas šķiedras un A vitamīns	200g=210kJ (50 kalorijas)	zems
Nektarīni	C, B3 vitamīns, kālijs un diētiskas šķiedras	180g=355kJ (85 kalorijas)	augsts
Persiki	C, B3 vitamīns, kālijs un diētiskas šķiedras	150g=205kJ (49 kalorijas)	augsts
Bumbieri	Diētiskas šķiedras	150g=250kJ (60 kalorijas)	augsts
Ananāsi	C vitamīns	150g=245kJ (59 kalorijas)	augsts
Avenes	C vitamīns, dzelzs, kālijs un magnijs	125g=130kJ (31 kalorijas)	zems
Tomāti	C vitamīns, diētiskas šķiedras, E vitamīns, folijskābes sāļi un A vitamīns	100g=90kJ (22 kalorijas)	zems

Kļūmju novēršana

Šajā nodaļā ir apkopotas visizplatītākās problēmas, kas varētu rasties jūsu sulas spiedeī. Lūdzu, sīkākas informācijai izlasiet dažādās iedaļas. Ja nevarat atrisināt problēmu, lūdzu, sazinieties ar savas valsts Philips Klientu aprūpes centru (tā telefons numurs ir atrodams pasaules garantijas talonā). Ja jūsu valstī nav Klientu aprūpes centra, griezieties pie vietējā Philips izplatītāja vai tuvākajā Philips servisa centrā.

Problēma	Atrisinājums
lerīce nedarbojas.	lerīce ir aprīkota ar drošības sistēmu. Tā nedarbojas, ja detaļas nav pareizi piestiprinātas. Pārbaudiet, vai detaļas ir pareizi piestiprinātas, bet pirms to darāt, izslēdziet ierīci.
Pirmajās ierīces lietošanas reizēs motora nodalījums izdala nepatīkamu smaku.	Tas nav nekas neparasts. Ja no ierīces arī turpmāk izdalās šī smaka, to jau izmantojot vairākas reizes, pārbaudiet, produktu apstrādājamo daudzumu un apstrādes laiku.
lerīce rada skaļu troksni, izdala nepatīkamu smaku, tā ir pārāk karsta, tai pieskaroties, izdala dūmus utt.	Izslēdziet ierīci un atvienojiet to no elektrotīkla. Saizieties ar tuvāko Philips servisa centru vai Philips produkcijas izplatītāju.
Filtrs ir bloķēts.	Izslēdziet ierīci, iztīriet padevējcauruli un filtru, un apstrādājiet mazāku daudzumu.
Filtrs pieskaras padevējcaurulei vai apstrādes laikā spēcīgi vibrē.	Izslēdziet ierīci un atvienojiet to no elektrotīkla. Pārbaudiet, vai filtrs ir atbilstoši uzvietots sulas savācējam. Filtra apakšdaļas iedobēm ir atbilstoši jāuzvietojas vadības vārpstai. Pārbaudiet, vai filtrs nav bojāts. Plaisas, plīsumi, brīvi berzējošs disks vai kāda cita nepareizība vai izraisīt nepareizu darbību.
	Ja atklājat kādas plaisas vai bojājumus filtrā, vairāk ierīci nelietojiet un saizieties ar Philips servisa centru.

Wprowadzenie

Gratulujemy zakupu i witamy wśród użytkowników produktów Philips! Aby w pełni skorzystać z oferowanej przez firmę Philips pomocy, zarejestruj swój produkt na stronie www.philips.com/welcome.

Ta nowa sokowirówka ma specjalną konstrukcję, która dzięki przechyleniu o 5° w stronę otworu odpływowego umożliwia uzyskanie maksymalnej ilości soku.

Opis ogólny (rys. 1)

- A** Popychacz
- B** Otwór na produkty
- C** Pokrywka
- D** Filtr
- E** Pojemnik na sok
- F** Pojemnik na miąższ
- G** Zaciski
- H** Pokrętko regulacyjne
- I** Walek napędowy
- J** Część silnikowa
- K** Schowek na przewód sieciowy
- L** Pokrywka dzbanka na sok
- M** Separator piany
- N** Dzbanek na sok
- O** Szczoteczka do czyszczenia

Ważne

Przed pierwszym użyciem urządzenia zapoznaj się dokładnie z jego instrukcją obsługi i zachowaj ją na wypadek konieczności użycia w przyszłości.

Niebezpieczeństwo

- Nie zanurzaj części silnikowej urządzenia w wodzie ani innym płynie. Nie opłukuj jej pod bieżącą wodą.

Ostrzeżenie

- Przed podłączeniem urządzenia upewnij się, czy napięcie podane na podstawie urządzenia jest zgodne z napięciem w sieci elektrycznej.
- Nie korzystaj z urządzenia, jeśli jego wtyczka, przewód sieciowy lub inne elementy składowe są uszkodzone.
- Ze względów bezpieczeństwa wymianę uszkodzonego przewodu sieciowego należy zlecić autoryzowanemu centrum serwisowemu firmy Philips lub odpowiednio wykwalifikowanej osobie.
- Urządzenie nie jest przeznaczone do użytku przez osoby (w tym dzieci) z ograniczonymi zdolnościami fizycznymi, sensorycznymi lub umysłowymi, a także nieposiadające wiedzy lub doświadczenia w użytkowaniu tego typu urządzeń, chyba że będą one nadzorowane lub zostaną poinstruowane na temat korzystania z tego urządzenia przez opiekuna.
- Nie pozwalaj dzieciom bawić się urządzeniem.
- Nigdy nie zostawiaj włączonego urządzenia bez nadzoru.
- Jeśli zauważysz, że filtr jest popękany lub w inny sposób uszkodzony, nie korzystaj z urządzenia i skontaktuj się z najbliższym centrum serwisowym firmy Philips.
- Nie wkładaj palców ani żadnych przedmiotów do otworu na produkty podczas pracy urządzenia. Do otworu można wkładać jedynie popychacz.
- Nie dotykaj małych ostrzy tnących znajdujących się w podstawie filtra. Są bardzo ostre.

Uwaga

- Urządzenie to jest przeznaczone wyłącznie do użytku domowego.
- Nigdy nie używaj akcesoriów ani części zamiennych innych producentów ani takich, które nie są zalecane przez firmę Philips. W przypadku użycia takich akcesoriów lub części, gwarancja traci ważność.
- Przed włączeniem urządzenia sprawdź, czy wszystkie części są prawidłowo zamontowane.
- Oba zaciski muszą być zamknięte podczas korzystania z urządzenia.
- Zaciski można otworzyć dopiero wtedy, gdy urządzenie zostało wyłączone i filtr przestał się obracać.
- Podczas wyciskania soku z dużej ilości owoców lub warzyw nie włączaj sokowirówki na dłużej niż 40 sekund, a po tym czasie odczekaj, aż urządzenie ostygnie. Żaden z przepisów zamieszczonych w tej instrukcji obsługi nie zawiera ilości owoców, którą można by określić jako dużą.
- Nie wyjmuj pojemnika na miąższ podczas pracy urządzenia.
- Zawsze po zakończeniu korzystania z urządzenia wyjmij wtyczkę z gniazdka elektrycznego.

Pola elektromagnetyczne (EMF)

Niniejsze urządzenie firmy Philips spełnia wszystkie normy dotyczące pól elektromagnetycznych. W przypadku prawidłowej obsługi zgodnie z zaleceniami zawartymi w instrukcji urządzenie jest bezpieczne w użytkowaniu, co potwierdzają badania naukowe dostępne na dzień dzisiejszy.

Przygotowanie do użycia

- 1** Umyj wszystkie odłączane części (patrz rozdział „Czyszczenie”).
- 2** Wyciągnij przewód sieciowy ze schowka w tylnej części urządzenia. (rys. 2)
- 3** Włóż pojemnik na sok do urządzenia (1). Załóż na urządzenie pojemnik na miąższ, lekko go przechylając (2). Najpierw wsuń górny koniec pojemnika, a następnie dociśnij dolny (rys. 3).

Aby opróżnić pojemnik na miąższ podczas wyciskania soku, wyłącz urządzenie i ostrożnie wyjmij pojemnik.

Uwaga: Załóż z powrotem pusty pojemnik na miąższ przed ponownym wyciskaniem soku.

- 4** Włóż filtr do pojemnika na sok (1). Przytrzymaj pokrywkę nad filtrem i opuść ją, umieszczając w odpowiedniej pozycji (2) (rys. 4).

Upewnij się, że filtr jest prawidłowo zamocowany na wałku napędowym (usłyszysz „kliknięcie”).

Zawsze sprawdzaj filtr przed użyciem. Jeśli zauważysz, że jest zniszczony lub pęknięty, nie korzystaj z urządzenia i skontaktuj się z najbliższym centrum serwisowym firmy Philips lub sprzedawcą urządzenia.

- 5** Zatrzaśnij oba zaciski na pokrywce, aby zablokować ją na swoim miejscu (usłyszysz „kliknięcie”) (1). Wsuń popychacz do otworu na produkty, ustawiając rowek w popychaczu w jednej linii z małą wypustką wewnątrz otworu (2) (rys. 5).

Upewnij się, że zaciski po obu stronach pokrywki są zatrzaśnięte w odpowiedniej pozycji.

- 6** Postaw dzbanek na sok pod dziobkiem (rys. 6).

Załącz pokrywkę na dzbanek na sok, aby uniknąć rozpryskiwania się soku lub przed włożeniem dzbanka z sokiem do lodówki.

Zasady używania

Urządzenie będzie działało jedynie wtedy, gdy wszystkie części będą prawidłowo założone, a pokrywka prawidłowo zamknięta za pomocą zacisków.

- 1 Umyj owoce i/lub warzywa i pokrój je na kawałki, które zmieszczą się do otworu na produkty. (rys. 7)
- 2 Upewnij się, że pod dziobkiem stoi dzbanek na sok.
- 3 Aby włączyć urządzenie, przekręć pokrętło regulacyjne do pozycji 1 (mała szybkość) lub 2 (normalna szybkość). (rys. 8)
 - Szybkość 1 jest odpowiednia do miękkich owoców i warzyw, takich jak arbuzy, winogrona, pomidory, ogórki i maliny.
 - Szybkość 2 jest odpowiednia do wszystkich rodzajów owoców i warzyw.
- 4 Włóż pokrojone na kawałki owoce lub warzywa do otworu na produkty i za pomocą popychacza delikatnie popychaj je w kierunku obracającego się filtra (rys. 9).

Nie naciskaj zbyt mocno na popychacz, ponieważ może to negatywnie wpłynąć na jakość soku, a nawet spowodować zatrzymanie filtra.

Nigdy nie wkładaj palców ani żadnych przedmiotów do otworu na produkty.

Po wyciśnięciu soku ze wszystkich składników, gdy sok przestanie ściekać, wyłącz urządzenie i poczekaj, aż filtr przestanie się kręcić.

- 5 Wsuń separator piany do dzbanka na sok (1) i umieść pokrywkę na dzbanku (2). Dzięki temu piana pozostanie w dzbanku podczas nalewania soku. (rys. 10)

Uwaga: Jeśli chcesz otrzymać napój z warstwą piany, nie używaj separatora piany.

Wskazówki

- Używaj świeżych owoców i warzyw, gdyż zawierają więcej soku. Szczególnie odpowiednie do wyciskania w sokowirówce są ananasy, buraki, seler naciowy, jabłka, ogórki, marchew, szpinak, melony, pomidory, granaty, pomarańcze i winogrona.
- Nie musisz obierać owoców i warzyw o cienkich skórkach. Obranie jest konieczne tylko w przypadku owoców z grubą skórką, takich jak pomarańcze, ananasy i surowe buraki. Usuń także białe włókno owoców cytrusowych z uwagi na gorzki smak.
- Podczas przygotowywania soku z jabłek pamiętaj, że gęstość soku zależy od odmiany jabłek. Im bardziej soczyste jabłko, tym mniej gęsty sok. Wybieraj jabłka, z których można wycisnąć taki rodzaj soku, jaki lubisz.
- Sok jabłkowy szybko zmienia kolor na brązowy. Możesz spowolnić ten proces, dodając do niego kilka kropel soku z cytryny.
- Nie można wyciskać soku z owoców zawierających skrobię, takich jak banany, papaje, awokado, figi i mango. Użyj robota kuchennego lub blendera, aby zmiksować te owoce.
- W sokowirówce można wyciskać także liście i gałązki, np. sałaty.
- Pij sok natychmiast po wyciśnięciu. Jeśli sok będzie przez jakiś czas wystawiony na działanie powietrza, straci swój smak i wartości odżywcze.
- Aby wycisnąć maksymalną ilość soku, zawsze naciskaj popychacz powoli.
- Sokowirówka nie nadaje się do wyciskania soku z owoców i warzyw, które są bardzo twarde, włókniste i/lub zawierają skrobię, np. z trzciny cukrowej.

Czyszczenie

Do czyszczenia urządzenia nigdy nie używaj czyszcików, płynnych środków ściernych ani żrących płynów, takich jak alkohol, benzyna lub aceton.

Najłatwiej jest wyczyścić urządzenie bezpośrednio po użyciu.

- 1 Wyłącz urządzenie. Wyjmij wtyczkę z gniazdka elektrycznego i poczekaj, aż filtr przestanie się obracać.
- 2 Zdejmij zabrudzone części z części silnikowej. Rozłóż urządzenie w następującej kolejności:

- Wyjmij pojemnik na miąższ;
- Wyjmij popychacz;
- Otwórz zaciski;
- Zdejmij pokrywkę.

3 Wyjmij pojemnik na sok wraz z filtrem (rys. 11).

4 Umyj te części szczotką w ciepłej wodzie ze środkiem do mycia naczyń, a następnie wypłucz je pod bieżącą wodą (rys. 12).

Uwaga: Wszystkie zdejmowane części można myć w zmywarce. Zdejmowane plastikowe części należy kłaść na górnej półce zmywarki, uważając, aby znajdowały się one z dala od elementu grzejącego.

5 Przetrzyj część silnikową wilgotną szmatką.

Nigdy nie zanurzaj części silnikowej w wodzie ani nie oplotuj pod bieżącą wodą.

Ochrona środowiska

- Zużytego urządzenia nie należy wyrzucać wraz z normalnymi odpadami gospodarstwa domowego — należy oddać je do punktu zbiórki surowców wtórnych w celu utylizacji. Stosowanie się do tego zalecenia pomaga w ochronie środowiska (rys. 13).

Gwarancja i serwis

W razie jakichkolwiek pytań lub problemów prosimy odwiedzić naszą stronę internetową www.philips.com lub skontaktować się z Centrum Obsługi Klienta firmy Philips (numer telefonu znajduje się w ulotce gwarancyjnej). Jeśli w kraju zamieszkania nie ma takiego Centrum, o pomoc należy zwrócić się do sprzedawcy produktów firmy Philips lub do Działu Obsługi Klienta firmy Philips Domestic Appliances and Personal Care BV.

Przepisy

Koktajl energetyczny

- 2 filiżanki marchwi, oczyszczonej
- 1/2 filiżanki ogórka
- 12 liści szpinaku
- 1 obrana limonka
- 1 filiżanka selera, oczyszczonego
- 1 jabłko
- 1 pomidor
- 2 łyżki miodu
- ▶ Przepuść wszystkie składniki, oprócz miodu, przez sokowirówkę. Dodaj miód i dobrze wymieszaj.
- ▶ Podawaj natychmiast po przygotowaniu z kilkoma kostkami lodu, według potrzeby.

Owocowe potpourri

- 4 średnie morele, bez pestek
- 2 filiżanki melona, pokrojonego w kostkę i bez skórki
- 1 duże jabłko, bez ogonka
- 1 obrana pomarańcza
- ▶ Przepuść owoce przez sokowirówkę, dobrze wymieszaj i dodaj kilka kostek lodu. Podawaj natychmiast po przygotowaniu.

Pokusa

- 6 moreli, bez pestek

- 2 filiżanki melona, bez skórki
- 1/2 filiżanki soku pomarańczowego
- ▶ **Przepuść owoce przez sokowirówkę i dobrze wymieszaj. Dodaj 6 kostek lodu.**
- ▶ **Podawaj natychmiast po przygotowaniu w średniej wielkości szklankach przystrojonych truskawkami lub wisienkami koktajlowymi i plasterkiem pomarańczy.**

Różowa chmurka

- 1 filiżanka truskawek
- 1 pomarańcza, obrana i bez gniazda nasiennego
- 1 filiżanka gruszki, pokrojonej w kostkę i bez ogonka
- 1 mała marchewka, oczyszczona
- ▶ **Przepuść składniki przez sokowirówkę i dobrze wymieszaj.**
- ▶ **Podawaj natychmiast po przygotowaniu z kilkoma kostkami lodu.**

Cudowna esencja

- 1 filiżanka ananasa, pokrojonego w kostkę i bez skórki
- 1 filiżanka jabłka, pokrojonego w kostkę i bez ogonka
- 2 małe marchewki, oczyszczone
- 1 obrana pomarańcza
- 2 łydgi selera, oczyszczonego
- 1 obrana limonka
- ▶ **Przepuść owoce przez sokowirówkę, dobrze wymieszaj i dodaj kilka kostek lodu. Podawaj natychmiast po przygotowaniu.**

Sok z ananasa, brzoskwini i gruszki

- 1/2 ananasa, obranego i pociętego na połówki
- 2 brzoskwini, pocięte na połówki i bez pestek
- 2 małe dojrzałe gruszki, bez ogonków
- ▶ **Przepuść ananasa, brzoskwinię i gruszkę przez sokowirówkę. Podawaj natychmiast po przygotowaniu.**

Ciasto ananasowe z niespodzianką

- 3/4 filiżanki soku ananasowego
- 10 łyżek stołowych masła
- 1 łyżka cukru pudru
- 2 żółtka
- 1 filiżanka skondensowanego mleka słodzonego
- 54 podłużnych biszkopcików
- 1/4 filiżanki wody
- 1 filiżanka cukru
- 1 puszka ananasa, pokrojonego w plastry
- 6–10 wisienek koktajlowych
- ▶ **Przepuść ananasa przez sokowirówkę. Ubijaj masło mikserem, aż do uzyskania kremowej konsystencji. Powoli dodawaj cukier, żółtka i skondensowane mleko słodzone. Ubijaj składniki, aż masa stanie się puszysta. Na końcu dodaj sok z ananasa.**
- ▶ **Wysmaruj masłem sprężynową formę do pieczenia, a następnie wyłóż spód i boki formy biszkopcikami zamoczonymi wcześniej w syropie ananasowym z puszki. Na biszkopty połóż warstwę kremu, a następnie ułóż kolejną warstwę biszkoptów. Powtórz czynność kilka razy, zakańczając całość warstwą kremu. Włóż ciasto do lodówki na trzy godziny, po czym wyjmij je z formy.**
- ▶ **Przyrządź karmel, gotując cukier z wodą. Przystroj ciasto plastrami ananasa, wisienkami koktajlowymi i karmelem. Wykorzystanie sprężynowej formy do pieczenia zapewni najlepsze rezultaty.**

Ciasto marchewkowo-jabłkowo-ananasowe

- 200 g marchwi
 - 200 g ananasa
 - 200 g jabłka
 - 1 filiżanka wiórków kokosowych
 - 3 filiżanki mąki
 - 1 łyżka sody do pieczenia
 - 1 łyżka cynamonu
 - 1 filiżanka cukru
 - 1 filiżanka miodu
 - 4 jaja
 - 1 filiżanka oleju
 - 1 torebka cukru waniliowego
 - 1 filiżanka posiekanych orzechów
- Wyciśnij sok z marchwi, ananasa i kawałków jabłka. Wykorzystaj miąższ zebrany w pojemniku.
● Wymieszaj miąższ z marchwi, ananasa i jabłka. Dodaj miód, cukier, olej i cukier waniliowy, a następnie dokładnie zmiksuj składniki. Przesiej suche składniki, aż się wymieszają.
● Dodaj i wymieszaj wiórki kokosowe i orzechy. Piecz ciasto w temperaturze 160°C przez około 45–55 minut.
● Z tej masy można również upiec wyborne babeczki. Wypełnij foremki w 3/4 i piecz przez około 40 minut.

Informacje na temat owoców i warzyw

Owoc/ warzywo	Witaminy/minerały	Liczba kilodżuli/kalorii	Szybkość sokowirówki
Jabłka	Witamina C	200 g=150 kJ (72 kalorie)	duża
Morele	Potas i duże ilości błonnika	30 g=85 kJ (20 kalorii)	mała
Buraki	Bogate źródło kwasu foliowego, błonnika, witaminy C i potasu	160 g=190 kJ (45 kalorii)	duża
Jagody	Witamina C	125 g=295 kJ (70 kalorii)	mała
Brukselki	Witamina C, B, B6, E, kwas foliowy i błonnik	100 g=110 kJ (26 kalorii)	mała
Kapusta	Witamina C, kwas foliowy, potas, witamina B6 i błonnik	100 g=110 kJ (26 kalorii)	duża
Marchew	Witamina A, C, B6 i błonnik	120 g=125 kJ (30 kalorii)	duża
Seler naciowy	Witamina C i potas	80 g=55 kJ (7 kalorii)	duża
Ogórki	Witamina C	280 g=120 kJ (29 kalorii)	mała
Koper włoski	Witamina C i błonnik	300 g=145 kJ (35 kalorii)	mała
Winogrona	Witamina C, B6 i potas	125 g=355 kJ (85 kalorii)	mała
Kiwi	Witamina C i potas	100 g=100 kJ (40 kalorii)	mała
Melony	Witamina C, kwas foliowy, błonnik i witamina A	200 g=210 kJ (50 kalorii)	mała

Owoc/ warzywo	Witaminy/minerały	Liczba kilodżuli/kalorii	Szybkość sokowirówki
Nektarynki	Witamina C, B3, potas i błonnik	180 g=355 kJ (85 kalorii)	duża
Brzoskwinie	Witamina C, B3, potas i błonnik	150 g=205 kJ (49 kalorii)	duża
Gruszki	Błonnik	150 g=250 kJ (60 kalorii)	duża
Ananasy	Witamina C	150 g=245 kJ (59 kalorii)	duża
Maliny	Witamina C, żelazo, potas i magnez	125 g=130 kJ (31 kalorii)	mała
Pomidory	Witamina C, błonnik, witamina E, kwas foliowy i witamina A	100 g=90 kJ (22 kalorie)	mała

Rozwiązywanie problemów

W tym rozdziale opisano najczęstsze problemy, z którymi można się zetknąć, korzystając z sokowirówki. Bardziej szczegółowe informacje można znaleźć w poszczególnych częściach instrukcji. Jeśli problemu nie można rozwiązać samodzielnie, należy skontaktować się z Centrum Obsługi Klienta firmy Philips (numer telefonu znajduje się w ulotce gwarancyjnej). Jeśli w kraju zamieszkania nie ma takiego centrum, o pomoc należy zwrócić się do sprzedawcy produktów firmy Philips lub do centrum serwisowego firmy Philips.

Problem	Rozwiązanie
Urządzenie nie działa.	Urządzenie jest wyposażone w system bezpieczeństwa i nie będzie działało, jeśli jego części nie zostaną prawidłowo założone. Wyłącz urządzenie i upewnij się, że części zostały prawidłowo zamocowane.
Na początku używania część silnikowa wydziela nieprzyjemny zapach.	Jest to zjawisko normalne. Jeśli urządzenie po kilkukrotnym użyciu nadal wydziela nieprzyjemny zapach, sprawdź, czy ilość składników i czas wyciskania są prawidłowe.
Urządzenie pracuje bardzo głośno, wydziela nieprzyjemny zapach, nagrzewa się, wydostaje się z niego dym itp.	Wyłącz urządzenie i wyjmij wtyczkę z gniazdka elektrycznego. Skontaktuj się z najbliższym centrum serwisowym firmy Philips lub sprzedawcą produktów firmy Philips.
Filtr jest zablokowany.	Wyłącz urządzenie, wyczyść otwór na produkty oraz filtr i wyciskaj sok z mniejszej ilości składników.
Filtr dotyka otworu na produkty lub wpada w silne drgania podczas pracy.	Wyłącz urządzenie i wyjmij wtyczkę z gniazdka elektrycznego. Sprawdź, czy filtr został poprawnie zamocowany w pojemniku na sok. Żeberka w dnie filtra powinny być dokładnie dopasowane do wałka napędowego. Sprawdź, czy filtr nie jest uszkodzony. Pęknięcia, obluźwana tarcza trąca i inne nieprawidłowości mogą spowodować nieprawidłowe działanie urządzenia.
	Jeśli zauważysz, że filtr jest popękany lub uszkodzony, nie korzystaj z urządzenia i skontaktuj się z najbliższym centrum serwisowym firmy Philips.

Introducere

Felicitări pentru achiziție și bun venit la Philips! Pentru a beneficia pe deplin de asistența oferită de Philips, înregistrați-vă produsul la www.philips.com/welcome.

Noul dvs. storcător de fructe are un design special, ușor înclinat, fiind aplecat cu 5 ° spre partea orificiului prin care este eliminat sucul, asigurând astfel o producție maximă.

Descriere generală (fig. 1)

- A** Element de împingere
- B** Tub de alimentare
- C** Capacul
- D** Filtru
- E** Colector de suc
- F** Recipient pentru pulpă
- G** Cleme
- H** Buton de comandă
- I** Arbore de acționare
- J** Bloc motor
- K** Sistem de stocare a cablului
- L** Capac cană pentru suc
- M** Separator de spumă
- N** Cană pentru suc
- O** Perie de curățat

Important

Citiți cu atenție acest manual de utilizare și păstrați-l pentru consultare ulterioară.

Pericol

- Nu introduceți blocul motor în apă sau în alt lichid și nici nu-l clătiți sub jet de apă.

Avertisment

- Înainte de a conecta aparatul, verificați dacă tensiunea indicată sub aparat corespunde tensiunii locale.
- Nu folosiți aparatul dacă ștecherul, cablul de alimentare sau alte componente sunt deteriorate.
- În cazul în care cablul de alimentare este deteriorat, acesta trebuie înlocuit întotdeauna de Philips, de un centru de service autorizat de Philips sau de personal calificat în domeniu pentru a evita orice accident.
- Acest aparat nu trebuie utilizat de către persoane (inclusiv copiii) care au capacități fizice, mentale sau senzoriale reduse sau sunt lipsite de experiență și cunoștințe, cu excepția cazului în care sunt supravegheați sau instruiți cu privire la utilizarea aparatului de către o persoană responsabilă pentru siguranța lor.
- Copiii trebuie supravegheați pentru a nu se juca cu aparatul.
- Nu lăsați niciodată aparatul să funcționeze nesupravegheat.
- Dacă depistați fisuri pe filtru sau dacă filtrul este deteriorat în orice mod, încetați utilizarea aparatului și contactați cel mai apropiat centru service Philips.
- Nu introduceți niciodată degetele sau alte obiecte în tubul de alimentare pe parcursul funcționării aparatului. În acest scop se folosește numai elementul de împingere.
- Nu atingeți lamele de tăiere mici aflate la baza filtrului. Acestea sunt foarte ascuțite.

Atenție

- Acest aparat este destinat exclusiv uzului casnic.
- Nu utilizați niciodată accesoriile sau componente de la alți producători sau care nu au fost recomandate special de Philips. Dacă utilizați astfel de accesoriile sau componente, garanția dvs. devine nulă.

- Verificați dacă toate componentele au fost montate corect înainte de a porni aparatul.
- Utilizați aparatul numai dacă ambele cleme sunt blocate.
- Deschideți clemele numai după ce ați oprit aparatul și după ce filtrul a încetat să se rotească.
- Atunci când preparați o cantitate mare de suc, nu lăsați aparatul să funcționeze mai mult de 40 de secunde și lăsați-l apoi să se răcească suficient. Nici una dintre rețetele prezentate în acest manual de utilizare nu presupune solicitare intensivă.
- Nu îndepărtați vasul de colectare pentru pulpă în timpul funcționării aparatului.
- Scoateți întotdeauna aparatul din priză după utilizare.

Câmpuri electromagnetice (EMF)

Acest aparat Philips respectă toate standardele referitoare la câmpuri electromagnetice (EMF). Dacă este manevrat corespunzător și în conformitate cu instrucțiunile din acest manual, aparatul este sigur conform dovezilor științifice disponibile în prezent.

Pregătirea pentru utilizare

- 1 Spălați toate componentele detașabile (consultați capitolul 'Curățare').
- 2 Scoateți cablul de alimentare din compartimentul de stocare aflat în spatele aparatului (fig. 2).
- 3 Așezați colectorul de suc în aparat (1). Plasați recipientul pentru pulpă, înclinându-l ușor spre înainte (2). Introduceți mai întâi capătul superior al recipientului pentru pulpă, apoi împingeți capătul inferior la locul său (fig. 3).

Pentru a goli recipientul pentru pulpă în timp ce preparați suc, opriți aparatul și îndepărtați cu grijă recipientul pentru suc.

Notă: Înainte de a continua prepararea sucului, asamblați din nou vasul de colectare pentru pulpă.

- 4 Așezați filtrul în colectorul de suc (1). Mențineți capacul deasupra filtrului, coborându-l la locul său (2) (fig. 4).

Asigurați-vă că filtrul este bine prins pe arborele de acționare ('clic').

Verificați întotdeauna filtrul înainte de utilizare. Dacă detectați fisuri sau orice alte defecte, nu folosiți aparatul și contactați cel mai apropiat centru service Philips sau duceți aparatul la furnizorul dvs. de produse Philips.

- 5 Împingeți clemele pe capac pentru a-l fixa ('clic') (1). Aliniați șanțul din elementul de împingere cu mica protuberanță din interiorul tubului de alimentare și glisați elementul de împingere în tubul de alimentare (2) (fig. 5).

Verificați dacă sunt blocate clemele de pe ambele părți ale capacului.

- 6 Poziționați cana sub gura de scurgere (fig. 6).

Așezați capacul peste cana pentru suc pentru a evita stropirea sau în cazul în care doriți să păstrați sucul în frigider.

Utilizarea aparatului

Aparatul va funcționa numai dacă toate componentele au fost asamblate corect și capacul a fost blocat în mod corespunzător; cu clemele.

- 1 Spălați fructele și/sau legumele și tăiați-le în bucăți care să se potrivească în tubul de alimentare. (fig. 7)
 - 2 Asigurați-vă că ați așezat cana pentru suc sub gura de scurgere.
 - 3 Rotiți butonul de comandă la setarea 1 (viteză redusă) sau 2 (viteză normală) pentru a porni aparatul. (fig. 8)
- Viteza 1 este potrivită pentru fructe și legume moi precum pepeni, grapefruit, roșii, castraveți sau zmeură.

- Viteza 2 este potrivită pentru toate felurile de fructe și legume.

4 Introduceți bucățile gata tăiate în tubul de alimentare și apăsați-le ușor spre filtrul rotativ cu elementul de împingere (fig. 9).

Nu exercitați o presiune prea mare asupra elementului de împingere, deoarece acest lucru poate afecta rezultatul final și poate chiar să blocheze funcționarea filtrului.

Nu introduceți degetele sau alte obiecte în tubul de alimentare.

După ce ați procesat toate ingredientele și sucul a încetat să mai curgă, opriți aparatul și așteptați ca filtrul să nu se mai rotească.

5 Introduceți separatorul de spumă în cana pentru suc (1) și așezați capacul pe cana pentru suc (2). În acest mod, spumă rămâne în cană când turnați sucul. (fig. 10)

Notă: Dacă doriți ca băutura să aibă un strat de spumă, nu folosiți separatorul de spumă.

Sugestii

- Utilizați fructe și legume proaspete, deoarece acestea conțin mai mult suc. Ananasul, sfecla roșie, tulpinile de țelină, merele, castraveții, morcovii, spanacul, pepenele galben, roșiile, rodiile, portocalele și grapefruit-ul sunt foarte potrivite pentru procesare în storcătorul de fructe.
- Nu este nevoie să îndepărtați coaja subțire. Trebuie să îndepărtați numai cojile groase, de exemplu cele de portocală, ananas sau sfeclă roșie crudă. Îndepărtați, de asemenea, pielea albă a citricelor; deoarece are gust amar.
- Când preparați suc de mere, rețineți că grosimea sucului de mere depinde de soiul de măr folosit. Cu cât mărul este mai suculent, cu atât sucul va fi mai subțire. Alegeți un soi de mere care produce tipul de suc preferat de dvs.
- Sucul de mere se înnegrește foarte repede. Pentru a încetini procesul, adăugați câteva picături de lămâie.
- Fructele care conțin amidon (banane, papaya, avocado, smochine sau mango) nu sunt potrivite pentru procesarea în storcătorul de fructe. Pentru a procesa astfel de fructe utilizați un robot de bucătărie sau un blender.
- În storcătorul de fructe pot fi procesate, de asemenea, frunze și tulpini, de ex. salată.
- Consumați sucul imediat după ce l-ați extras. Dacă este expus prea mult timp la aer, sucul își va pierde gustul și valoarea nutritivă.
- Pentru a extrage o cantitate cât mai mare de suc, apăsați întotdeauna încet pe elementul de împingere.
- Storcătorul nu este potrivit pentru procesarea unor fructe sau legume foarte tari și/sau fibroase/ cu amidon (de ex., trestie de zahăr).

Curățarea

Nu folosiți niciodată bureți de sârmă, agenți de curățare abrazivi sau lichide agresive cum ar fi alcoolul, benzina sau acetona pentru a curăța aparatul.

Aparatul este mai ușor de curățat imediat după folosire.

1 Opriți aparatul. Scoateți ștecherul din priză și așteptați ca filtrul să nu se mai rotească.

2 Îndepărtați componentele murdare de pe blocul motor. Dezasamblați aparatul în următoarea ordine:

- Îndepărtați vasul de colectare pentru pulpă;
- Extrageți elementul de împingere;
- Deschideți clemele;
- Îndepărtați capacul.

3 Scoateți colectorul de suc împreună cu filtrul (fig. 11).

- 4** Curățați aceste componente cu o perie de curățat, în apă caldută cu puțin detergent lichid și clătiți-le la robinet (fig. 12).

Notă: Toate piesele detașabile pot fi spălate în mașina de spălat vase. Așezați piesele detașabile din plastic pe sertarul superior al mașinii de spălat vase. Asigurați-vă că acestea sunt așezate la o distanță suficient de mare de elementul de încălzire.

- 5** Curățați blocul motor cu o cârpă umedă.

Nu introduceți unitatea motor în apă și nici nu o clătiți la robinet.

Protecția mediului

- Nu aruncați aparatul împreună cu gunoiul menajer la sfârșitul duratei de funcționare, ci predați-l la un punct de colectare autorizat pentru reciclare. În acest fel, veți ajuta la protejerea mediului înconjurător (fig. 13).

Garanție și service

Pentru informații suplimentare sau în cazul apariției altor probleme, vă rugăm să vizitați site-ul Philips www.philips.com sau să contactați centrul de asistență pentru clienți Philips din țara dvs. (veți găsi numărul de telefon în broșura de garanție internațională). Dacă în țara dvs. nu există un astfel de centru, contactați furnizorul dvs. Philips sau Departamentul de Service din cadrul Philips Domestic Appliances and Personal Care BV.

Rețete

Cocktail energizant

- 2 cești cu morcovi tăiați mărunt
 - 1/2 ceașcă cu castraveți
 - 12 frunze de spanac
 - 1 limetă, decojită
 - 1 ceașcă cu țelină, tăiată mărunt
 - 1 măr
 - 1 roșie
 - 2 linguri de miere
- **Procesați în storcător toate ingredientele, cu excepția mierii. Adăugați mierea și amestecați bine.**
- **Serviți imediat, adăugând câteva cuburi de gheață, dacă doriți.**

Potpuriu de fructe

- 4 caise medii, fără sâmburi
 - 2 cești cu pepene galben, decojit și tăiat bucăți
 - 1 măr mare, fără cotor
 - 1 portocală, decojită
- **Procesați fructele în storcător, amestecați bine, adăugați câteva cuburi de gheață și serviți imediat.**

Tentație

- 6 caise, fără sâmburi
 - 2 cești cu pepene galben, decojit
 - 1/2 ceașcă cu suc de portocale
- **Procesați fructele în storcător. Amestecați bine sucul rezultat. Adăugați 6 cuburi de gheață.**
- **Serviți imediat în pahare de dimensiune medie, ornat cu căpșuni sau cireșe glasate și o felie de portocală.**

Nor roz

- 1 ceașcă cu căpșuni
 - 1 portocală fără coajă
 - 1 ceașcă cu pere tăiate bucăți, fără cotor
 - 1 morcov mic, tăiat mărunt
- **Procesați în storcător.** Amestecați bine.
- **Serviți imediat.** Adăugați câteva cuburi de gheață.

Suc minune

- 1 ceașcă cu cuburi de ananas, decojit
 - 1 ceașcă cu mere tăiate bucăți, fără cotor
 - 2 morcovi mici, tăiați mărunt
 - 1 portocală, decojită
 - 2 rădăcini de țelină, tăiate mărunt
 - 1 limetă, decojită
- **Procesați fructele în storcător.** Amestecați bine. Adăugați câteva cuburi de gheață. Serviți imediat.

Suc de ananas, piersici și pere

- 1/2 ananas, decojit și tăiat în jumătăți
 - 2 piersici, fără sâmburi și tăiate în jumătate
 - 2 pere coapte mici, fără cotoare
- **Procesați ananasul, piersicile și perele în storcător.** Serviți imediat.

Prăjitură surpriză cu ananas

- 3/4 ceașcă cu suc de ananas
 - 10 linguri de unt
 - 1 lingură de zahăr pudră
 - 2 gălbenușuri
 - 1 ceașcă lapte condensat îndulcit
 - 54 pișcoturi
 - 1/4 ceașcă de apă
 - 1 ceașcă de zahăr
 - 1 conservă de ananas felii.
 - 6-10 cireșe confiate
- **Folosiți storcătorul pentru a obține extrasul de ananas.** Cu un mixer, bateți untul până ajunge cremă. Adăugați treptat zahărul, gălbenușurile și laptele condensat îndulcit. Continuați să bateți amestecul până devine pufos și adăugați sucul de ananas.
- **Ungeți o formă elastică și construiți prăjitura acoperind partea de jos și lateralele formei pișcoturile înmuiate puțin în siropul de ananas din conservă.** Adăugați un strat de cremă, apoi un alt strat de pișcoturi și așa mai departe. Încheiați cu un strat de cremă. Dați prăjitura la frigider timp de trei ore și apoi scoateți-o din formă.
- **Pregătiți sos caramel, topind zahărul cu apa.** Decorați prăjitura cu felii de ananas, cireșe confiate și fire de caramel. Utilizarea unei forme elastice va conduce la cele mai bune rezultate.

Prăjitură cu morcovi, mere și ananas

- 200 g morcovi
- 200 g ananas
- 200 g mere
- 1 ceașcă de nucă de cocos (răzuită)
- 3 cești de făină

- 1 lingură de praf de copt
- 1 lingură de scorțișoară
- 1 ceașcă de zahăr
- 1 ceașcă de miere
- 4 ouă
- 1 ceașcă de ulei
- 1 pachet de zahăr vanilat
- 1 ceașcă de nuci mărunțite

- **Stoarceți morcovii, ananasul și merele tăiate. Folosiți pulpa colectată în recipientul pentru pulpă.**
- **Amestecați pulpa de morcovi, ananas și mere. Adăugați mierea, zahărul, uleiul și zahărul vanilat, și amestecați bine. Peste acestea cerneți ingredientele uscate și amestecați-le.**
- **Adăugați nuca de cocos și nucile. Turnați într-o tavă de copt unsă cu grăsime. Coaceți la 160 °C timp de aproximativ 45-55 minute.**
- **Acest amestec este foarte bun și pentru briose. Umpleți formele pentru briose pe trei sferturi și coaceți timp de 40 de minute.**

Informații despre fructe și legume

Fruct/legumă	Vitamine/minerale	Kilojouli/calorii	Viteză de stoarcere
Mere	Vitamina C	200 g=150 kJ (72 cal)	mare
Caise	Mare în cazul fibrei dietetice, conține potasiu	30 g=85 kJ (20 cal)	mică
Sfeclă	Sursă bună de acid folic, fibră dietetică, vitamina C și potasiu	160 g=190 kJ (45 cal)	mare
Afine	Vitamina C	125 g=29 5kJ (70 cal)	mică
Varză de Bruxelles	Vitaminele C, B, B6, E, acid folic și fibră dietetică	100 g=110 kJ (26 cal)	mică
Varză	Vitamina C, acid folic, potasiu, B6 și fibră dietetică	100 g=110 kJ (26 cal)	mare
Morcovi	Vitaminele A, C, B6 și fibră dietetică	120 g=125 kJ (30 cal)	mare
Țelină	Vitamina C și potasiu	80 g=55 kJ (7 cal)	mare
Castravete	Vitamina C	280 g=120 kJ (29 cal)	mică
Secară	Vitamina C și fibră dietetică	300 g=145 kJ (35 cal)	mică
Struguri	Vitamina C, B6 și potasiu	125 g=355 kJ (85 cal)	mică
Fructe de kiwi	Vitamina C și potasiu	100 g=100 kJ (40 cal)	mică
Pepeni	Vitamina C, acid folic, fibră dietetică și vitamina A	200 g=210 kJ (50 cal)	mică

Fruct/legumă	Vitamine/minerale	Kilojouli/calorii	Viteză de stocare
Nectarine	Vitamina C, B3, potasiu și fibră dietetică	180 g=355 kJ (85 cal)	mare
Piersici	Vitamina C, B3, potasiu și fibră dietetică	150 g=205 kJ (49 cal)	mare
Pere	Fibră dietetică	150 g=250 kJ (60 cal)	mare
Ananas	Vitamina C	150 g=245 kJ (59 cal)	mare
Zmeură	Vitamina C, fier, potasiu și magneziu	125 g=130 kJ (31 cal)	mică
Roșii	Vitamina C, fibră dietetică, vitamina E, acid folic și vitamina A	100 g=90 kJ (22 cal)	mică

Depanare

Acest capitol include cele mai frecvente probleme care pot apărea în cazul storcătorului dvs. de fructe. Pentru mai multe detalii, vă rugăm să citiți capitolele indicate. Dacă nu reușiți să rezolvați problema, vă rugăm să contactați Centrul de asistență pentru clienți Philips din țara dvs. (găsiți numărul de telefon în garanția internațională). Dacă în țara dvs. nu există un astfel de departament, apelați la furnizorul Philips local sau cel mai apropiat centru service Philips.

Problemă	Soluție
Aparatul nu funcționează.	Aparatul este dotat cu sistem de siguranță. Nu va funcționa atunci când componentele nu au fost asamblate corect. Verificați dacă ați asamblat corect componentele, dar opriți aparatul înainte de a efectua verificarea.
Unitatea motorului degajă un miros neplăcut în timpul primelor utilizări ale aparatului.	Acest lucru nu este neobișnuit. Dacă aparatul degajă în continuare acest miros după câteva utilizări, verificați cantitățile pe care le procesați și timpul de procesare.
Aparatul face mult zgomot, degajă un miros neplăcut, este prea fierbinte la atingere, scoate fum etc.	Opriti aparatul și scoateți-l din priză. Mergeți la furnizorul dvs. Philips sau cel mai apropiat centru de service Philips pentru asistență.
Filtrul este blocat.	Opriti aparatul, curățați tubul de alimentare și filtrul și procesați o cantitate mai mică.
Filtrul atinge tubul de alimentare sau vibrează puternic în timpul procesării.	Opriti aparatul și scoateți-l din priză. Verificați dacă filtrul a fost montat corect în vasul de colectare pentru suc. Nervurile din partea inferioară a filtrului trebuie să se potrivească pe arborele de acționare. Verificați dacă filtrul este deteriorat. Fisurile, crăpăturile, un disc de măcinat slăbit sau orice altă neregulă pot determina o funcționare incorectă.
	Dacă observați vreo fisură sau deteriorare a filtrului, nu mai folosiți aparatul și contactați cel mai apropiat centru de service Philips.

Введение

Поздравляем с покупкой продукции Philips! Для получения полной поддержки, оказываемой компанией Philips, зарегистрируйте Ваше изделие на www.philips.com/welcome.

Эта новая соковыжималка имеет уникальную форму с легким наклоном в 5 ° со стороны выходного отверстия для сока, что позволяет получать максимальное количество сока.

Общее описание (Рис. 1)

- A** Толкатель
- B** Загрузочное отверстие
- C** Крышка
- D** Фильтр
- E** Ёмкость для сока
- F** Контейнер для выжатых продуктов
- G** Фиксаторы
- H** Переключатель режимов
- I** Приводной вал
- J** Блок электродвигателя
- K** Отсек для хранения шнура
- L** Крышка чаши для сока
- M** Отделитель пены
- N** Чаша для сока
- O** Щёточка для чистки

Внимание

До начала эксплуатации прибора внимательно ознакомьтесь с настоящим руководством и сохраните его для дальнейшего использования в качестве справочного материала.

Опасно

- Запрещается погружать блок электродвигателя в воду или другие жидкости, а также промывать его под струей воды.

Предупреждение

- Перед подключением прибора убедитесь, что указанное на нём номинальное напряжение соответствует напряжению местной электросети.
- Запрещается использование прибора при повреждении сетевого шнура, вилки или других компонентов.
- В случае повреждения сетевого шнура, его необходимо заменить. Чтобы обеспечить безопасную эксплуатацию прибора, заменяйте шнур в торговой организации Philips, в авторизованном сервисном центре Philips или в сервисном центре с персоналом аналогичной квалификации.
- Данный прибор не предназначен для использования лицами (включая детей) с ограниченными возможностями сенсорной системы или ограниченными интеллектуальными возможностями, а так же лицами с недостаточным опытом и знаниями, кроме случаев контроля или инструктирования по вопросам использования прибора со стороны лиц, ответственных за их безопасность.
- Не позволяйте детям играть с прибором.
- Не оставляйте включенный прибор без присмотра.
- При обнаружении трещин в фильтре или при любом другом повреждении фильтра, прекратите использование прибора и обратитесь в ближайший сервисный центр Philips.
- Не проталкивайте продукты в камеру для подачи пальцами или посторонними предметами во время работы прибора. Для этих целей можно использовать только толкатель.

- Не прикасайтесь к маленьким лезвиям в основании фильтра. Они очень острые.

Внимание

- Прибор предназначен только для домашнего использования.
- Запрещается пользоваться какими-либо принадлежностями или деталями других производителей, не имеющих специальной рекомендации Philips. При использовании такой принадлежности гарантийные обязательства утрачивают силу.
- Перед включением прибора убедитесь, что все детали установлены правильно.
- Прибор можно использовать, только когда оба фиксатора заблокированы.
- Разблокировать фиксаторы можно только после того, как прибор выключен и фильтр прекратил вращаться.
- Не включайте соковыжималку больше чем на 40 секунд при работе с большой нагрузкой, и дайте ей остыть после использования. Ни один из рецептов, приведенных в этой инструкции, не создает чрезмерной нагрузки для соковыжималки.
- Не снимайте контейнер для выжатых продуктов во время работы прибора.
- После завершения работы отключите прибор от розетки электросети.

Электромагнитные поля (ЭМП)

Данное устройство Philips соответствует стандартам по электромагнитным полям (ЭМП). При правильном обращении согласно инструкциям, приведенным в руководстве пользователя, применение устройства безопасно в соответствии с современными научными данными.

Подготовка прибора к работе

- 1** Промойте все съемные детали (см. главу “Очистка”).
- 2** Вытяните сетевой шнур из отделения для хранения шнура, расположенного в задней части прибора. (Рис. 2)
- 3** Установите ёмкость для сока в прибор (1). Установите контейнер для выжатых продуктов, слегка наклонив его вперед (2). Вставьте сначала верхнюю часть, затем задвиньте нижнюю (Рис. 3).

Чтобы очистить контейнер для выжатых продуктов во время приготовления сока, выключите прибор и аккуратно отсоедините контейнер.

Примечание. Перед тем как продолжить приготовление сока, снова установите контейнер для выжатых продуктов.

- 4** Вставьте фильтр в ёмкость для сока (1). Накройте крышкой и опустите на место (2) (Рис. 4).

Убедитесь, что фильтр надежно прикреплен к приводному валу (должен прозвучать щелчок)

Проверьте фильтр перед использованием. При наличии каких-либо трещин или повреждений прибор использовать запрещено, обратитесь в ближайший сервисный центр Philips или по месту приобретения устройства.

- 5** Установите оба фиксатора на крышку и заблокируйте их (должен прозвучать щелчок) (1). Совместите пазы толкателя с маленькими выступами внутри загрузочного отверстия, затем вставьте толкатель в загрузочное отверстие (2) (Рис. 5).

Убедитесь, что фиксаторы на верхней стороне крышки заблокированы.

- 6** Установите чашу для сока под носиком соковыжималки (Рис. 6).

Закройте чашу для сока крышкой, чтобы не расплескивать содержимое или при помещении в холодильник.

Использование прибора

Прибор работает только тогда, когда все детали правильно установлены, и крышка плотно удерживается фиксаторами.

- 1** Мойте овощи и/или фрукты и разрежьте их на части перед тем, как помещать их в камеру для подачи. (Рис. 7)
- 2** Убедитесь, что чаша для сока помещена под носик.
- 3** Чтобы включить прибор, поверните переключатель режимов в положение 1 (низкая скорость) или 2 (обычная скорость). (Рис. 8)
 - Положение 1 (низкая скорость) особенно удобно для приготовления сока из мягких фруктов и овощей, таких как арбузы, виноград, томаты, огурцы и малина.
 - Положение 2 (высокая скорость) удобно для приготовления сока из любых видов овощей и фруктов.
- 4** Поместите предварительно нарезанные кусочки в загрузочное отверстие и с помощью толкателя аккуратно продавите внутрь к вращающемуся фильтру (Рис. 9).
Не нажимайте на толкатель с большим усилием, так как это может повлиять на качество получаемого продукта, и даже может послужить причиной остановки фильтра.

Не допускайте попадания пальцев или посторонних предметов в камеру для подачи.

После того, как все ингредиенты переработаны, и поступление сока прекратилось, выключите прибор и подождите, пока фильтр не перестанет вращаться.

- 5** Установите отделитель пены в чашу для сока (1) и закройте чашу для сока крышкой (2). Таким образом, при разливе сока пена будет оставаться в чаше. (Рис. 10)

Примечание. Если вы предпочитаете пить сок с пеной, не используйте отделитель пены.

Полезные советы

- Используйте свежие фрукты и овощи, так как они содержат больше сока. Больше всего для соковыжималки подходят ананасы, свекла, сельдерей, яблоки, огурцы, морковь, шпинат, дыни, томаты, гранаты, апельсины и виноград.
- Не нужно очищать фрукты и овощи от кожицы или цедры. Необходимо очищать только фрукты и овощи с толстой кожурой, такие как апельсины, ананасы или сырая свекла. Для того, чтобы сок не горчил, удаляйте кожуру с цитрусовых вместе с подкорочным белым слоем.
- Во время приготовления сока, помните, что консистенция яблочного сока зависит от того, какой сорт яблок используется. Чем сочнее яблоко, чем более жидким получается сок. Выбирайте тот сорт яблок, из которого получается наиболее предпочитаемый вами сок.
- Яблочный сок очень быстро окисляется. Окисление можно замедлить, добавив в него несколько капель лимонного сока.
- Крахмалосодержащие фрукты, такие, как бананы, папайя, авокадо, инжир и манго не подходят для приготовления сока в соковыжималке. Для получения сока из них используйте кухонный комбайн, блендер или барный блендер.
- Листья и стебли латука отлично подходят для получения сока в соковыжималке.
- Выпивайте сок сразу же после его получения. Пробыв некоторое время на воздухе, сок теряет вкус и питательную ценность.
- Чтобы получить максимальное количество сока, надавливайте на толкатель медленно.
- Соковыжималка не подходит для слишком твердых и/или волокнистых/крахмалистых овощей и фруктов, таких, например, как сахарный тростник.

Очистка

Запрещается использовать для чистки прибора губки с абразивным покрытием, абразивные чистящие средства или растворители типа бензина или ацетона.

Легче всего очистить прибор сразу же после использования.

- 1** Выключите прибор, выньте сетевую вилку из розетки электросети и дождитесь, пока фильтр не перестанет вращаться.
- 2** Извлеките загрязненные детали из блока электродвигателя. Разберите прибор на части в следующем порядке:
 - Извлеките контейнер для выжатых продуктов;
 - Извлеките толкатель;
 - Откройте фиксаторы;
 - Снимите крышку.
- 3** Извлеките ёмкость для сока вместе с фильтром (Рис. 11).
- 4** Вымойте эти детали с помощью щетки в теплой воде с добавлением жидкого моющего средства и ополосните под краном (Рис. 12).

Примечание. Все съемные детали можно мыть в посудомоечной машине. Поместите съемные пластиковые детали в верхний поддон посудомоечной машины. Убедитесь, что они расположены на достаточном расстоянии от нагревающего элемента.

- 5** Для очистки блока электродвигателя пользуйтесь влажной тканью.

Запрещается погружать блок электродвигателя в воду или промывать под струей воды.

Защита окружающей среды

- После окончания срока службы не выбрасывайте прибор вместе с бытовыми отходами. Передайте его в специализированный пункт для дальнейшей утилизации. Этим Вы поможете защитить окружающую среду (Рис. 13).

Гарантия и обслуживание

Для получения дополнительной информации или в случае возникновения проблем зайдите на веб-сайт www.philips.com или обратитесь в Центр поддержки покупателей в вашей стране (номер телефона центра указан на гарантийном талоне). Если подобный центр в вашей стране отсутствует, обратитесь в вашу местную торговую организацию Philips или в отдел поддержки покупателей компании Philips Domestic Appliances and Personal Care BV.

Рецепты**Энергетический коктейль**

- 2 чашки моркови без ботвы
 - Пол чашки огурцов
 - 12 листьев шпината
 - 1 лайм без кожуры
 - 1 чашка сельдерея без ботвы
 - 1 яблоко
 - 1 помидор
 - 2 столовые ложки меда
- 1** Поместите все ингредиенты, кроме меда, в соковыжималку. В полученный сок добавьте мед и тщательно перемешайте.
 - 2** При желании добавьте несколько кубиков льда и сразу же подавайте на стол.

Фруктовое попурри

- 4 средних абрикоса без косточек
- 2 чашки дыни, нарезанной кубиками и без кожуры
- 1 большое яблоко с удаленным черенком
- 1 апельсин без кожуры
- ▶ Поместите фрукты в соковыжималку, тщательно перемешайте полученный сок, добавьте несколько кубиков льда и сразу же подавайте на стол.

Искушение

- 6 абрикосов без косточек
- 2 чашки дыни без кожуры
- Пол чашки апельсинового сока
- ▶ Поместите фрукты в соковыжималку. Полученный сок тщательно перемешайте, добавьте 6 кубиков льда.
- ▶ Сразу же подавайте на стол в бокалах среднего размера, украшенных клубникой или засахаренной вишней и апельсиновой долькой.

Розовое облако

- 1 чашка клубники
- 1 апельсин без кожуры и семян
- 1 чашка нарезанной кубиками груши с удаленными черенками
- 1 небольшая морковь без ботвы
- ▶ Поместите в соковыжималку. Полученный сок тщательно перемешайте.
- ▶ Добавьте несколько кубиков льда и сразу же подавайте на стол.

Чудодейственный сок

- 1 чашка ананаса, нарезанного кубиками и без кожуры
- 1 чашка нарезанного кубиками яблока с удаленными черенками
- 2 небольшие моркови без ботвы
- 1 апельсин без кожуры
- 2 стебля сельдерея без кожуры
- 1 лайм без кожуры
- ▶ Поместите фрукты в соковыжималку, тщательно перемешайте полученный сок, добавьте несколько кубиков льда и сразу же подавайте на стол.

Сок из ананаса, персиков и груш

- 1/2 очищенного и разрезанного ананаса
- 2 разрезанных пополам персика без косточек
- 2 небольшие спелые груши без черенков
- ▶ Поместите ананас, персики и груши в соковыжималку. Полученный сок сразу же подавайте на стол.

Ананасовый торт-сюрприз

- 3/4 чашки ананасового сока
- 10 столовых ложек сливочного масла
- 1 столовая ложка сахарной пудры
- 2 яичных желтка
- 1 чашка гущенного молока с сахаром
- 54 бисквитных пальчика
- 1/4 чашки воды
- 1 чашка сахара
- 1 банка консервированных ананасов

- 6-10 засахаренных вишен
- ▶ Приготовьте ананасовый сок в соковыжималке. С помощью миксера взбивайте масло до получения кремообразной массы. Не спеша добавьте сахар, яичные желтки и гущенное молоко. Продолжайте взбивать до образования пены, затем добавьте ананасовый сок.
- ▶ Смажьте форму сливочным маслом. Края и дно формы выложите бисквитными пальчиками, слегка смоченными сиропом от консервированных ананасов. Сверху добавьте слой крема, затем еще один слой бисквитных пальчиков и т.д. Закончите слоем крема. Поместите торт в холодильник на 3 часа, затем извлеките его из формы.
- ▶ Поместите сахарную массу в кипящую воду и приготовьте карамель. Украсьте торт кусочками ананаса, засахаренной вишней и полосками карамели. Использование формы при приготовлении торта обеспечит наилучшие результаты.

Морковно-яблочно-ананасовый пирог

- 200 г моркови
- 200 г ананасов
- 200 г яблок
- 1 чашка тертого кокосового ореха
- 3 чашки муки
- 1 столовая ложка питьевой соды
- 1 столовая ложка корицы
- 1 чашка сахара
- 1 чашка меда
- 4 яйца
- 1 чашка растительного масла
- 1 пакетик ванильного сахара
- 1 чашка измельченных орехов
- ▶ Приготовьте сок из моркови, ананасов и яблок. Извлеките мякоть из контейнера для выжатых продуктов.
- ▶ Смешайте мякоть моркови, ананасов и яблок. Добавьте мед, сахар, масло и ванильный сахар. Все тщательно перемешайте до получения однородной массы.
- ▶ В полученную массу добавьте кокос и орехи. Поместите массу в смазанную форму для выпекания. Выпекайте при температуре 160 °C в течение 45-55 минут.
- ▶ Из этой смеси также получаются превосходные кексы. Заполните формы для кексов на 3/4 и выпекайте в течение 40 минут.

Состав овощей и фруктов

Фрукты/ овощи	Витамины/минералы	Энергетическая ценность в кДж/калориях	Скорость обработки в соковыжималке
Яблоки	Витамин С	200 г = 150 кДж (72 калории)	высокая
Абрикосы	высокое содержание клетчатки, содержат калий	30 г = 85 кДж (20 калорий)	низкая
Свекла	Хороший источник фолиевой кислоты, клетчатки, витамина С и калия	160 г = 190 кДж (45 калорий)	высокая

Фрукты/ овощи	Витамины/минералы	Энергетическая ценность в кДж/калориях	Скорость обработки в соковыжималке
Черника	Витамин С	125 г = 295 кДж (70 калорий)	низкая
Брюссельская капуста	Витамины С, В, В6, Е, фолиевая кислота и клетчатка	100 г = 110 кДж (26 калорий)	низкая
Кочанная капуста	Витамин С, фолиевая кислота, калий, витамин В6 и клетчатка	100 г = 110 кДж (26 калорий)	высокая
Морковь	Витамины А, С, В6 и клетчатка	120 г = 125 кДж (30 калорий)	высокая
Сельдерей	Витамин С и калий	80 г = 55 кДж (7 калорий)	высокая
Огурцы	Витамин С	280 г = 120 кДж (29 калорий)	низкая
Фенхель	Витамин С и клетчатка	300 г = 145 кДж (35 калорий)	низкая
Виноград	Витамины С, В6 и калий	125 г = 355 кДж (85 калорий)	низкая
Киви	Витамин С и калий	100 г = 100 кДж (40 калорий)	низкая
Дыни	Витамин С, фолиевая кислота, клетчатка и витамин А	200 г = 210 кДж (50 калорий)	низкая
Нектарины	Витамины С, В3, калий и клетчатка	180 г = 355 кДж (85 калорий)	высокая
Персики	Витамины С, В3, калий и клетчатка	150 г = 205 кДж (49 калорий)	высокая
Груши	Клетчатка	150 г = 250 кДж (60 калорий)	высокая
Ананасы	Витамин С	150 г = 245 кДж (59 калорий)	высокая
Малина	Витамин С, железо, калий и магний	125 г = 130 кДж (31 калория)	низкая
Томаты	Витамин С, клетчатка, витамин Е, фолиевая кислота и витамин А	100 г = 90 кДж (22 калории)	низкая

Поиск и устранение неисправностей

Данный раздел посвящен общим проблемам использования соковыжималки. Для получения более подробной информации прочитайте другие разделы руководства. Если самостоятельно справиться с возникшими проблемами не удастся, обратитесь в центр поддержки покупателей Philips Вашей страны (номер телефона центра указан на гарантийном талоне).

Если в Вашей стране нет центра поддержки покупателей Philips, обратитесь по месту приобретения изделия Philips или в ближайший сервисный центр Philips.

Проблема	Способы решения
Прибор не работает.	Прибор оснащен системой безопасности. Прибор не будет работать, если детали собраны неправильно. Проверьте, правильно ли собраны детали, предварительно выключив прибор.
Работающий новый прибор при первых включениях издает неприятный запах.	Это нормально. Если спустя некоторое время прибор все еще издает неприятный запах, обратитесь внимание на количество продуктов и время приготовления.
Прибор слишком шумит, издает неприятный запах, слишком горячее на ощупь, дымится и т.д.	Выключите прибор и выньте вилку шнура питания из розетки электросети. Обратитесь за помощью в центр компании Philips по обслуживанию потребителей или в Вашу местную торговую организацию.
Фильтр заело.	Выключите прибор, очистите камеру для подачи и фильтр и уменьшите объем перерабатываемых продуктов.
Фильтр задевает камеру для подачи или слишком вибрирует в процессе работы.	Выключите прибор и отсоедините его от электросети. Фильтр должен быть надежно закреплен в ёмкости для сока. Выступы на нижней части фильтра должны быть плотно установлены в приводной вал. Проверьте, не поврежден ли фильтр. Трещины, разломы, слабо закрепленный фильтрующий диск и другие неполадки могут вызвать сбои в работе прибора.
	При обнаружении трещин или других повреждений в фильтре прекратите использование прибора и обратитесь в ближайший сервисный центр Philips.

Úvod

Gratulujeme Vám k nákupu a vitajte v spoločnosti Philips! Ak chcete využiť všetky výhody zákazníckej podpory spoločnosti Philips, zaregistrujte svoj produkt na www.philips.com/welcome.
Váš nový odšťavovač má špeciálny, jemne naklonený dizajn so sklonom 5° na strane otvoru na vylievanie džúsu, aby ste získali maximálne množstvo džúsu.

Opis zariadenia (Obr. 1)

- A** Piest
- B** Dávkovacia trubica
- C** Veko
- D** Filter
- E** Nádoba na džús
- F** Nádoba na dužinu
- G** Svorky
- H** Ovládací gombík
- I** Hnací hriadeľ
- J** Pohonná jednotka
- K** Úložný priestor kábla
- L** Veko nádoby na džús
- M** Oddeľovač peny
- N** Nádoba na džús
- O** Čistiaca kefka

Dôležité

Pred použitím zariadenia si pozorne prečítajte tento návod na použitie a uschovajte si ho pre použitie do budúcnosti.

Nebezpečenstvo

- Pohonnú jednotku neponárajte do vody ani inej kvapaliny, ani ju neoplachujte pod tečúcou vodou.

Varovanie

- Pred pripojením zariadenia do siete sa presvedčite, či napätie uvedené na zariadení, je rovnaké ako napätie v miestnej sieti.
- Zariadenie nepoužívajte, ak sú zástrčka, sieťový kábel alebo iné súčasti poškodené.
- Aby nedochádzalo k nebezpečným situáciám, poškodený sieťový kábel smie vymeniť jedine personál spoločnosti Philips, servisné centrum autorizovaná spoločnosťou Philips alebo iná kvalifikovaná osoba.
- Toto zariadenie nesmú používať osoby (vrátane detí), ktoré majú obmedzené telesné, zmyslové alebo mentálne schopnosti alebo ktoré nemajú dostatok skúseností a znalostí, pokiaľ nie sú pod dozorom alebo im nebolo vysvetlené používanie tohto zariadenia osobou zodpovednou za ich bezpečnosť.
- Deti musia byť pod dozorom, aby sa nehrali so zariadením.
- Nikdy nenechávajte zariadenie zapnuté bez dozoru.
- Ak vo filtri objavíte praskliny alebo ak je filter poškodený, zariadenie prestaňte používať a obráťte sa na najbližšie servisné stredisko spoločnosti Philips.
- Kým zariadenie pracuje, nikdy nesiahajte do dávkovacej trubice prstami ani žiadnymi predmetmi. Na tento účel používajte výhradne piest.
- Nedotýkajte sa malých rezných čepeľí v základni filtra. Sú veľmi ostré.

Výstraha

- Toto zariadenie je určené len na domáce použitie.

- Nepoužívajte príslušenstvo iného výrobcu ako Philips ani príslušenstvo, ktoré spoločnosť Philips výslovne neodporučila. Ak takéto súčiastky použijete, záruka stratí platnosť.
- Pred zapnutím zariadenia sa uistite, že sú správne namontované všetky súčiastky.
- Zariadenie používajte iba v prípade, ak sú uzamknuté obidve svorky.
- Svorky uvoľnite, až keď vypnete zariadenie a otáčanie filtra sa zastaví.
- Ak odšŕavujete väčšie množstvo surovín, odšŕavovač smie bez prestania pracovať maximálne 40 sekúnd, potom ho nechajte dostatočne ochladiť. Žiaden z receptov v tomto návode nevyžaduje preťažovanie odšŕavovača.
- Počas činnosti zariadenia nevyberajte nádobu na dužinu.
- Po použití vždy odpojte zariadenie zo siete.

Elektromagnetické polia (EMF)

Tento výrobok Philips vyhovuje všetkým normám týkajúcim sa elektromagnetických polí (EMF). Ak budete zariadenie používať správne a v súlade s pokynmi v tomto návode na použitie, bude jeho použitie bezpečné podľa všetkých v súčasnosti známych vedeckých poznatkov.

Príprava na použitie

- 1 Umyte všetky oddeľiteľné diely (pozrite kapitolu „Čistenie“).
- 2 Kábel vytiahnite z odkladacieho priestoru v zadnej časti zariadenia (Obr. 2).
- 3 Do zariadenia (1) vložte nádobu na džús. Potom vložte aj nádobu na dužinu tak, že ju mierne nakloníte dopredu (2). Najskôr nasadíte horný koniec a potom zatlačte aj spodný koniec (Obr. 3).

Ak chcete vyprázdniť nádobu na dužinu počas odšŕavovania, vypnite zariadenie a opatrne vyberte nádobu na dužinu.

Poznámka: Prázdnu nádobu na dužinu pozorne vráťte späť a až potom pokračujte v odšŕavovaní.

- 4 Do nádoby na džús (1) vložte filter. Veko podržte nad filtrom a spustite ho do správnej polohy (2) (Obr. 4)

Uistite sa, že je filter bezpečne nasadený na hnací hriadeľ (budete počuť „kliknutie“).

Pred každým použitím skontrolujte filter. Ak objavíte akúkoľvek prasklinu alebo poškodenie, zariadenie nesmiete použiť, ale kontaktujte najbližšie servisné centrum spoločnosti Philips, prípadne odšŕavovač zaneste predajcovi.

- 5 Svorkami upevnite veko, aby ste ho uzamkli v správnej polohe („kliknutie“) (1). Zarovnajte drážku na pieste s malým výčnelkom na vnútornej strane dávkovacej trubice a zasuňte piest do dávkovacej trubice (2) (Obr. 5).

Uistite sa, že svorky uzamykajú veko na oboch stranách.

- 6 Pod výpusť postavte nádobu na džús (Obr. 6).

Na nádobu nasadte veko, buď aby ste predišli rozliatiu džúsu, alebo keď chcete džús odložiť do chladničky.

Použitie zariadenia

Zariadenie bude fungovať len v prípade, ak ste správne nasadili všetky súčiastky a ak je veko riadne uzamknuté pomocou svoriek.

- 1 Umyte ovocie a/alebo zeleninu a nakrájajte ich na kúsky, ktoré sa zmestia do dávkovacej trubice. (Obr. 7)
- 2 Uistite sa, že ste pod výpusť postavili džbán na džús.
- 3 Otočením ovládacieho gombíka do polohy 1 (nízka rýchlosť) alebo 2 (normálna rýchlosť) zapnite zariadenie. (Obr. 8)

- Rýchlosť 1 je vhodná najmä na spracovanie mäkkého ovocia a zeleniny, ako napríklad vodové melóny, hrozno, paradajky, uhorky a maliny.
- Rýchlosť 2 je vhodná na spracovanie všetkých druhov ovocia a zeleniny.

4 Pokrájané kúsky vložte do dávkovacej trubice a piestom ich jemne zatlačte nadol smerom k otáčajúcejmu sa filtru (Obr. 9).

Piestom nevyvíjajte príliš veľký tlak, pretože by to mohlo ovplyvniť kvalitu odšťavovania a mohli by ste dokonca zastaviť otáčanie filtra.

Do dávkovacej trubice nikdy nesiahajte prstami ani žiadnymi predmetmi.

Keď po spracovaní všetkých surovín džús prestane vytekať, vypnite zariadenie a počkajte, kým filter prestane rotovať.

5 Do nádoby na džús nasuňte oddeľovač peny (1) a na nádobu nasadte veko (2). Takto dosiahnete, že pena zostane pri nalievaní džúsu v nádobe. (Obr. 10)

Poznámka: Ak chcete, aby Váš nápoj mal aj vrstvu peny, oddeľovač peny nepoužívajte.

Tipy

- Používajte čerstvé ovocie a zeleninu, pretože obsahuje viac šťavy. Ananás, červená repa, zelerová vňať, jablká, uhorky, mrkva, špenát, melóny, paradajky, granátové jablká a pomaranče sú obzvlášť vhodné na spracovanie v odšťavovači.
- Tenkú šupku nemusíte z ovocia oddeľovať. Ošúpte len hrubšiu šupu, napr. z pomaranča, ananásu alebo neuvarenej cvikle. Oddelte tiež bielu blanku medzi šupkou a dužinou citrusových plodov, pretože má horkú chuť.
- Keď pripravujete jablkový džús, nezabudnite, že hustota jablkového džúsu závisí od druhu jablák, ktorý použijete. Čím je jablko šťavnatejšie, tým redší džús pripravíte. Vyberte si druh jablák, ktorý Vám viac vyhovuje.
- Jablkový džús veľmi rýchlo zhnedne. Tento proces spomalíte, ak do neho pridáte niekoľko kvapiek citrónovej šťavy.
- Ovocie, ktoré obsahuje škrob, ako napríklad banány, papája, avokádo, figy a mango, nie je vhodné na spracovanie v odšťavovači. Na spracovanie týchto druhov ovocia použite kuchynský robot, mixér, alebo tyčový mixér.
- V odšťavovači môžete spracovať aj listy a byle z listov napr. šalátu.
- Džús vypite hneď po odšťavení. Ak ho určitý čas necháte stáť na vzduchu, džús stratí chuť a nutričnú hodnotu.
- Aby ste z ovocia získali maximálne množstvo šťavy, piest tlačte len pomaly nadol.
- Odšťavovač nie je vhodný na spracovanie veľmi tvrdých a/alebo pórovitých/škrobovitých druhov ovocia a zeleniny, napríklad cukrovej trstiny.

Čistenie

Na čistenie zariadenia nikdy nepoužívajte drsný materiál, drsné čistiace prostriedky ani agresívne kvapaliny ako alkohol, benzín alebo acetón.

Zariadenie najľahšie očistíte ihneď po použití.

1 Zariadenie vypnite, odpojte zo siete a počkajte, kým sa filter neprestane otáčať.

2 Z pohonnej jednotky vyberte znečistené súčiastky. Pritom postupujte nasledovne:

- vyberte nádobu na dužinu;
- vyberte piest;
- uvoľnite svorky;
- Zložte veko.

3 Nádobu na džús vyberte spolu s filtrom (Obr. 11).

- 4** Tieto súčiastky očistite kefou vo vlažnej vode s malým prídavkom saponátu a opláchnite ich pod tečúcou vodou (Obr. 12).

Poznámka: Všetky oddeliteľné súčiastky môžete umývať v umývačke na riad. Oddeliteľné plastové súčiastky vložte do horného priečinku v umývačke na riad. Uistite sa, že sú v dostatočnej vzdialenosti od ohrevného telesa umývačky.

- 5** Pohonnú jednotku očistite navlhčenou tkaninou.

Pohonnú jednotku nikdy neponárajte do vody ani ju neoplachujte pod tečúcou vodou.

Životné prostredie

- Zariadenie na konci jeho životnosti neodhadzujte spolu s bežným komunálnym odpadom, ale kvôli recyklácii ho odovzdajte na mieste oficiálneho zberu. Pomôžete tak chrániť životné prostredie (Obr. 13).

Záruka a servis

Ak potrebujete informácie alebo máte problém, navštívte webovú stránku spoločnosti Philips na lokalite www.philips.com alebo sa obráťte na Centrum služieb zákazníkom spoločnosti Philips vo Vašej krajine (telefónne číslo Centra nájdete v priloženom celosvetovo platnom záručnom liste). Ak sa vo Vašej krajine toto Centrum nenachádza, obráťte sa na miestneho predajcu Philips alebo kontaktujte Oddelenie služieb spoločnosti Philips - divízia domáce spotrebiče a osobná starostlivosť.

Recepty

Energetický koktail

- 2 šálky očistenej mrkvy
- 1/2 šálky uhoriek
- 12 špenátových listov
- 1 ošúpaná limetka
- 1 šálka očisteného zeleru
- 1 jablko
- 1 rajčina
- 2 polievkové lyžice medu
- Všetky suroviny okrem medu spracujte pomocou odšťavovača. Pridajte med a dôkladne premiešajte.
- Okamžite podávajte a podľa chuti pridajte niekoľko kociek ľadu.

Ovocná zmes

- 4 stredne veľké marhule bez kôstok
- 2 šálky ošúpaného melóna nakrájaného na kocky
- 1 veľké jablko bez stopky
- 1 ošúpaný pomaranč
- Všetko ovocie spracujte v odšťavovači, dôkladne premiešajte, pridajte niekoľko kociek ľadu a okamžite podávajte.

Pokušenie

- 6 marhúl bez kôstok
- 2 šálky ošúpaného melóna
- 1/2 šálky pomarančového džúsu
- Všetko ovocie spracujte v odšťavovači a výslednú zmes dôkladne premiešajte. Pridajte 6 kociek ľadu.

- Okamžite podávajte v stredne veľkých pohároch ozdobených jahodami alebo čerešňami a plátkom pomaranča.

Ružový oblak

- 1 šálka jahôd
- 1 ošúpaný pomaranč bez jadra
- 1 šálka hrušiek bez stopiek, nakrájaných na kocky
- 1 malá očistená mrkva
- Spracujte pomocou odšťavovača a dobre premiešajte.
- Okamžite podávajte. Pridajte niekoľko kociek ľadu.

Zázračný extrakt

- 1 šálka očisteného ananásu pokrúpaného na kocky
- 1 šálka jablák bez stopiek, nakrájaných na kocky
- 2 malé očistené mrkvy
- 1 ošúpaný pomaranč
- 2 kúsky očistenej zelerovej vňate
- 1 ošúpaná limetka
- Ovocie spracujte v odšťavovači, dôkladne premiešajte, pridajte niekoľko kociek ľadu a okamžite podávajte.

Džús z ananásu, broskýň a hrušiek

- 1/2 ošúpaného ananásu
- 2 broskyne, rozpolené a bez kôstky
- 2 malé zrelé hrušky bez stopiek
- Pomocou odšťavovača spracujte ananás, broskyne a hrušky a ihneď podávajte.

Ananásový koláč s prevrpením

- 3/4 šálky ananásovej šťavy
- 10 polievkových lyžíc masla
- 1 polievková lyžica práškového cukru
- 2 vaječné žĺtky
- 1 šálka sladeného kondenzovaného mlieka
- 54 dlhých piškót
- 1/4 šálky vody
- 1 šálka cukru
- 1 plechovka na plátky nakrájaného ananásu.
- 6 až 10 kusov koktailových čerešní
- Pomocou odšťavovača získajte ananásovú šťavu. Miešačom vyšľahajte maslo, až kým nebude mať krémovitú konzistenciu. Pomaly pridávajte cukor, vaječné žĺtky a sladené kondenzované mlieko. Pokračujte v šľahaní, až kým nebude zmes nadýchaná, a potom pridajte ananásovú šťavu.
- Roztváraciu formu zľahka vymastite maslom a vytvorte koláč tak, že na spodok a boky formy poukladáte piškóty mierne navlhčené sirupom z ananásu z plechovky. Potom pridajte vrstvu krému, po nej ďalšiu vrstvu piškót, atď. Úplne navrch dajte vrstvu krému. Dajte vychladit' do chladničky na tri hodiny a potom odstráňte formu.
- Nechajte zovrieť cukor a vodu, a tak pripravte karamel. Ozdobte koláč plátkami ananásu, čerešňami a prúžkami karamelu. Najlepšie výsledky dosiahnete pri použití roztváraciej formy.

Mrkvovo-jablko-ananásový koláč

- 200 g mrkvy
- 200 g ananásu
- 200 g jablák

- 1 šálka strúhaného kokosu
- 3 šálky múky
- 1 polievková lyžica prášku do pečiva
- 1 polievková lyžica škorice
- 1 šálka cukru
- 1 šálka medu
- 4 vajička
- 1 šálka oleja
- 1 balíček vanilkového cukru
- 1 šálka sekaných orechov

- ▀ **Odštváťte** kúsky mrkvy, ananásu a jablák. Použite dužinu zachytenú v nádobe na dužinu.
- ▀ **Zmiešajte** dužinu z mrkvy, ananásu a jablák. Pridajte med, cukor, olej a vanilkový cukor a dôkladne premiešajte. Rovnomerne pridávajte suché suroviny tak, aby sa dobre premiešali.
- ▀ **Prímiešajte** kokos a orechy. Nalejte do vymastenej formy na pečenie. Pečte pri 160 °C približne 45 až 55 minút.
- ▀ **Pomocou tejto zmesi** možno pripraviť aj skvelé muffiny. Naplňte formy na muffiny do troch štvrtín a pečte 40 minút.

Informácie o ovocí a zelenine

Ovocie/ zelenina	Vitamíny/minerály	Energetický obsah kJ/kcal	Rýchlosť odštvávania
Jablká	Vitamín C	200 g = 150 kJ (72 kcal)	vyšoká
Marhule	Vysoký obsah diétnej vlákniny, obsahuje draslík	30 g = 85 kJ (20 kcal)	nízka
Červená repa	Dobry zdroj folátov, diétnej vlákniny, vitamínu C a draslíka	160 g = 190 kJ (45 kcal)	vyšoká
Čučoriedky	Vitamín C	125 g = 295 kJ (70 kcal)	nízka
Ružičkový kel	Vitamín C, B, B6, E, foláty a diétna vláknina	100 g = 110 kJ (26 kcal)	nízka
Hlávková kapusta	Vitamín C, foláty, draslík, B6 a diétna vláknina	100 g = 110 kJ (26 kcal)	vyšoká
Mrkva	Vitamín A, C, B6 a diétna vláknina	120 g = 125 kJ (30 kcal)	vyšoká
Zeler	Vitamín C a draslík	80 g = 55 kJ (7 kcal)	vyšoká
Uhorka	Vitamín C	280 g = 120 kJ (29 kcal)	nízka
Fenikel	Vitamín C a diétna vláknina	300 g = 145 kJ (35 kcal)	nízka
Hrozno	Vitamín C, B6 a draslík	125 g = 355 kJ (85 kcal)	nízka
Kiwi	Vitamín C a draslík	100 g = 100 kJ (40 kcal)	nízka
Melóny	Vitamín C, foláty, diétna vláknina a vitamín A	200 = 210 kJ (50 kcal)	nízka
Nektarinky	Vitamín C, B3, draslík a diétna vláknina	180 g = 355 kJ (85 kcal)	vyšoká
Broskyne	Vitamín C, B3, draslík a diétna vláknina	150 g = 205 kJ (49 kcal)	vyšoká

Ovocie/ zelenina	Vitamíny/minerály	Energetický obsah kJ/kcal	Rýchlosť odšťavovania
Hrušky	Diétna vláknina	150 g = 250 kJ (60 kcal)	vysoká
Ananás	Vitamín C	150 g = 245 kJ (59 kcal)	vysoká
Maliny	Vitamín C, železo, draslík a horčík	125 g = 130 kJ (31 kcal)	nízka
Paradajky	Vitamín C, diétna vláknina, vitamín E, foláty a vitamín A	100 g = 90 kJ (22 kcal)	nízka

Riešenie problémov

Táto kapitola obsahuje prehľad najbežnejších problémov, s ktorými by ste sa mohli stretnúť pri používaní odšťavovača. Prečítajte si jednotlivé časti návodu, v ktorých nájdete viac podrobností. Ak problém neviete vyriešiť, kontaktujte, prosím, Centrum starostlivosti o zákazníka spoločnosti Philips vo Vašej krajine (telefónne číslo Centra nájdete v priloženom celosvetovo platnom záručnom liste). Ak sa vo Vašej krajine toto Centrum nenachádza, obráťte sa na miestneho predajcu výrobkov Philips alebo na najbližšie servisné centrum Philips.

Problém	Riešenie
Zariadenie nefunguje.	Zariadenie je vybavené bezpečnostným systémom. Nezačne pracovať, kým nie sú všetky súčiastky správne namontované. Skontrolujte, či sú všetky súčiastky namontované správne, najskôr však zariadenie vypnite.
Počas niekoľkých prvých použití vydáva pohonná jednotka nepríjemný zápach.	Nie je to nezvyčajné. Ak zariadenie bude aj po niekoľkých použitíach vydávať tento zápach, skontrolujte množstvo spracovávaných potravín a čas spracovania.
Zariadenie je veľmi hlučné, vydáva nepríjemný zápach, je príliš horúce na dotyk, dymí sa z neho atď.	Zariadenie vypnite a odpojte ho zo siete. Vyhľadajte pomoc v najbližšom servisnom stredisku Philips alebo u svojho predajcu.
Filter je zablokovaný.	Vypnite zariadenie, vyčistite dávkovaciu trubicu a filter a spracujte menšie množstvo surovín.
Filter sa dotýka dávkovacej trubice, alebo počas odšťavovania veľmi vibruje.	Zariadenie vypnite a odpojte ho zo siete. Skontrolujte, či je filter správne vložený v nádobe na džús. Rebrá na dne filtra by mali správne dosadať na hnací hriadeľ. Skontrolujte, či filter nie je poškodený. Praskliny, trhliny, uvoľnený strúhací disk alebo akékoľvek iné nedostatky môžu spôsobiť nesprávnu činnosť odšťavovača.
	Ak vo filtri objavíte praskliny alebo ak je filter poškodený, zariadenie prestaňte používať a obráťte sa na najbližšie Servisné stredisko spoločnosti Philips.

Uvod

Čestitamo vam za nakup in dobrodošli pri Philipsu! Če želite popolnoma izkoristiti podporo, ki jo nudi Philips, registrirajte izdelek na www.philips.com/welcome.

Vaš novi sokovnik ima posebno obliko, ki zaradi svoje nagnjenosti pod kotom 5 ° glede na odlivno odprtino soka zagotavlja največjo možno količino pridobljenega soka.

Splošni opis (Sl. 1)

- A** Potiskalo
- B** Prostor za polnjenje
- C** Pokrov
- D** Filter
- E** Zbiralnik za sok
- F** Posoda za tropine
- G** Objemki
- H** Regulator
- I** Pogonska os
- J** Motorna enota
- K** Shranjevanje kabla
- L** Pokrov vrča za sok
- M** Ločevalnik pene
- N** Vrč za sok
- O** Ščetka za čiščenje

Pomembno

Pred uporabo aparata natančno preberite uporabniški priročnik in ga shranite za poznejšo uporabo.

Nevarnost

- Motorne enote ne potaplajte v vodo ali katerokoli drugo tekočino ter je ne spirajte pod pipo.

Opozorilo

- Preden aparat priključite na električno omrežje, preverite, ali na podstavku aparata navedena napetost ustreza napetosti lokalnega električnega omrežja.
- Aparata ne uporabljajte, če je poškodovan vtikač, kabel ali katera druga komponenta.
- Poškodovani omrežni kabel sme zamenjati le podjetje Philips, Philipsov pooblaščen servis ali ustrezno usposobljeno oseboje.
- Aparat ni namenjen, da bi ga uporabljali otroci in osebe z zmanjšanimi fizičnimi ali psihičnimi sposobnostmi in tudi ne osebe s pomanjkljivimi izkušnjami in znanjem, razen če jih pri uporabi nadzoruje ali jim svetuje oseba, ki je odgovorna za njihovo varnost.
- Otroci naj se ne igrajo z aparatom.
- Aparata ne pustite delovati brez nadzora.
- Če na filtru opazite razpoke ali je ta na kakršenkoli način poškodovan, prenehajte z uporabo aparata in se obrnite na najbližji Philipsov pooblaščen servis.
- Med delovanjem aparata ne posegajte s prsti ali kakšnim predmetom v prostor za polnjenje. Za to lahko uporabljate le potiskalo.
- Ne dotikajte se majhnih rezil na podstavku za filter. So zelo ostra.

Pozor

- Aparat je namenjen izključno uporabi v gospodinjstvu.
- Ne uporabljajte nastavkov ali delov drugih proizvajalcev, ki jih Philips posebej ne priporoča. V primeru uporabe tovrstnih nastavkov se garancija razveljavi.
- Preden vklopite aparat, poskrbite, da so vsi sestavni deli pravilno nameščeni.
- Aparat uporabljajte le, če sta obe objemki pripeti.
- Po izklopu aparata in po prenehanju delovanja filtra morate le še sprostiti objemki.

- Pri iztiskanju soka iz večjih količin sadja ne uporabljajte sokovnika več kot 40 sekund skupaj, po opravljenem iztiskanju pa pustite sokovnik ugasnjen dovolj dolgo, da se ohladi. Nobeden od receptov v tem uporabniškem priročniku ne vključuje večjih količin sadja.
- Med delovanjem aparata ne odstranjujte posode za tropine.
- Po uporabi aparat vedno izklopite iz omrežne vtičnice.

Elektromagnetna polja (EMF)

Ta Philipsov aparat ustreza vsem standardom glede elektromagnetnih polj (EMF). Če z aparatom ravirate pravilno in v skladu z navodili v tem uporabniškem priročniku, je njegova uporaba glede na danes veljavne znanstvene dokaze varna.

Priprava pred uporabo

- 1** Sperite snemljive dele (oglejte si poglavje "Čiščenje").
- 2** Iz prostora za shranjevanja na zadnji strani aparata izvlecite omrežni kabel (Sl. 2).
- 3** Postavite zbiralnik za sok v aparat (1). Posodo za tropine postavite v aparat z rahlim sunkom naprej (2). Najprej vstavite zgornji del, nato pa pritisnite na svoje mesto tudi spodnji del (Sl. 3). Če želite posodo za tropine izprazniti med iztiskanjem soka, izklopite aparat in pazljivo odstranite posodo za tropine.

Opomba: Preden nadaljujete z iztiskanjem soka, ponovno sestavite prazno posodo za tropine.

- 4** Vstavite filter v zbiralnik za sok (1). Filter pokrijte s pokrovom in ga spustite v položaj (2) (Sl. 4).

Preverite, ali se filter tesno prilega na pogonsko os ("klik").

Pred uporabo zmeraj preglejte filter. Če opazite kakršne koli razpoke ali poškodbe, aparata ne uporabljajte in se obrnite na najbližji Philipsov pooblaščen servis ali pa odnesite aparat k vašemu prodajalcu.

- 5** Pripnite objemki na pokrov, da se zaskočita ("klik") (1). Žlebič na potiskalu poravnate z majhno izboklino na notranjem delu prostora za polnjenje in potiskalo potisnete v prostor za polnjenje (2) (Sl. 5).

Preverite, če sta objemki pravilno zatakneni na obeh straneh pokrova.

- 6** Postavite vrč za sok pod dulec (Sl. 6).

Postavite pokrov na vrč za sok, da se izognete škropljenju ali če želite shraniti sok v hladilniku.

Uporaba aparata

Aparat bo deloval le, če ste pravilno namestili vse sestavne dele in če je pokrov pravilno zataknen z objemkama..

- 1** Operite sadje in/ali zelenjavo in jo narežite na kose, ki se prilegajo prostoru za polnjenje. (Sl. 7)
- 2** Prepričajte se, da je vrč za sok postavljen pod dulec.
- 3** Regulator obrnite na nastavev 1 (nizka hitrost) ali 2 (običajna hitrost), če želite vklopiti aparat. (Sl. 8)
 - Hitrost 1 je še posebej primerna za mehkejšo sadje in zelenjavo, kot so npr. lubenice, grozdje, paradižniki, kumarice in maline.
 - Hitrost 2 je primerna za vse vrste sadja in zelenjave.
- 4** Vstavite pred tem razrezane kose v prostor za polnjenje in jih s potiskalom rahlo potisnite navzdol proti vrtečemu filtru (Sl. 9).

Ne pritiskajte preveč na potiskalo, ker lahko tako poslabšate kakovost končnega učinka ali celo povzročite zaustavitev delovanja filtra.

Ne vstavljajte svojih prstov ali predmetov v prostor za polnjenje.

Ko ste iztisnili vse sestavine in je sok prenehal pritekati, izklopite aparat in počakajte, da se filter ustavi.

5 Ločevalnik pene vstavite v vrč za sok (1) in postavite pokrov na vrč za sok (2). Na ta način pena ostane v vrču, ko nalijete sok. (Sl. 10)

Opomba: Če želite imeti na vaši pijači sloj pene, ne uporabljajte ločevalnika pene.

Nasveti

- Uporabljajte sveže sadje in zelenjavo, ker vsebuje več soka. Še posebej primerni za obdelavo v sokovniku so ananas, pesa, stebela zelene, jabolka, kumarice, korenje, špinača, melone, paradižniki, granatna jabolka, pomaranče in grozdje.
- Tankih olupkov ni potrebno odstranjevati. Odstraniti morate le debele lupine, kot so tiste od pomaranč, ananasa in surove pese. Prav tako odstranite belo sredico citrusov, ker ima grenak okus.
- Pri pripravi jabolčnega soka morate vedeti, da je gostota jabolčnega soka odvisna od vrste izbranih jabolk. Bolj kot je jabolko sočno, redkejši bo sok. Izberite takšna jabolka, iz katerih lahko pridobite sok po vašem okusu.
- Jabolčni sok zelo hitro porjavi. Ta proces lahko upočasnite tako, da soku dodate nekaj kapljic limoninega soka.
- Sadje, ki vsebuje škrob, kot npr. banane, papaje, avokado, fige in mango, ni primerno za obdelavo v sokovniku. Za obdelavo teh vrst sadežev uporabite multipraktik, mešalnik ali palični mešalnik.
- V sokovniku lahko obdelate tudi peclje in liste, ki jih ima npr. zelena solata.
- Sok popijte takoj, ko ga iztisnete. Če ga boste za nekaj časa pustili stati na zraku, bo sok izgubil svoj okus in hranljivo vrednost.
- Za doseganje največje možne količine soka zmeraj potiskajte potiskalo navzdol počasi.
- Sokovnik ni primeren za obdelavo zelo trdega in/ali vlaknatega/škrobnega sadja ali zelenjave, kot je sladkorni trs.

Čiščenje

Aparata ne čistite s čistilnimi gobicami, jedkimi čistili ali agresivnimi tekočinami, kot so alkohol, bencin ali aceton.

Čiščenje aparata je lažje, če ga izvedete takoj po uporabi.

- 1** Izklopite aparat. Izključite vtičak iz omrežne vtičnice in počakajte, da se filter ustavi.
- 2** Odstranite umazane delce iz motorne enote. Aparat razstavite v naslednjem vrstnem redu:
 - Odstranite posodo za tropine;
 - Odstranite potiskalo;
 - Sprostite objemki;
 - Odstranite pokrov.
- 3** Odstranite zbiralnik za sok skupaj s filtrom (Sl. 11).
- 4** Očistite te sestavne dele s čistilno krpo v topli vodi in ob uporabi tekočega čistila in jih splaknite z vodo iz pipe (Sl. 12).

Opomba: Vse snemljive dele lahko perete v pomivalnem stroju. Snemljive plastične sestavne dele postavite na zgornji pladenj v pomivalnem stroju. Prepričajte se, da so dovolj oddaljeni od grelnega elementa.

- 5** Motorno enoto očistite z vlažno krpo.

Motorne enote nikoli ne potaplajte v vodo ali spirajte pod pipo.

Okolje

- Aparata po preteku življenjske dobe ne odvrzite skupaj z običajnimi gospodinjstvi odpadki, temveč ga odložite na uradnem zbirnem mestu za recikliranje. Tako pripomorete k ohranitvi okolja (Sl. 13).

Garancija in servis

Za informacije ali v primeru težav obiščite Philipsovo spletno stran na naslovu www.philips.com oziroma se obrnite na Philipsov center za pomoč uporabnikom v vaši državi (telefonsko številko najdete v mednarodnem garancijskem listu). Če v vaši državi takšnega centra ni, se obrnite na lokalnega Philipsovega prodajalca ali Philipsov oddelek za male gospodinjstve aparate in aparate za osebno nego.

Recepti

Energetski napitek

- 2 skodelici korenčkov, postrganih
- 1/2 skodelice kumaric
- 12 listov špinače
- 1 citronka, olupljena
- 1 skodelica zelene, postrgane
- 1 jabolko
- 1 paradižnik
- 2 žlici medu
- ▶ Vse sestavine razen medu obdelajte v sokovniku. Nato dodajte med in dobro premešajte.
- ▶ Postrezite takoj, dodate lahko tudi nekaj ledenih kock.

Sadni venček

- 4 srednje velike marelice, razkoščičene
- 2 skodelici na kocke narezane melone, olupljene
- 1 veliko jabolko, brez peclja
- 1 pomaranča, olupljena
- ▶ Sadje obdelajte v sokovniku, dobro premešajte, dodajte nekaj ledenih kock in takoj postrezite.

Skušnja

- 6 marelic, razkoščičenih
- 2 skodelici melone, olupljene
- 1/2 skodelice pomarančnega soka
- ▶ Sestavine obdelajte v sokovniku. Ekstrakt dobro premešajte. Dodajte 6 ledenih kock.
- ▶ Postrezite takoj v srednje velikih kozarcih, okrašenih z jagodami ali višnjami in rezino pomaranče.

Rožnati oblak

- 1 skodelica jagod
- 1 pomaranča brez koščic, olupljena
- 1 skodelica na kocke narezane hruške, brez peclja
- 1 majhen korenček, postrgan
- ▶ Obdelajte v sokovniku. Dobro premešajte.
- ▶ Postrezite takoj. Dodajte nekaj ledenih kock.

Čudežni ekstrakt

- 1 skodelica ananasovih kock, olupljenih
 - 1 skodelica na kocke narezanega jabolka, brez peclja
 - 2 majhna korenčka, postrgana
 - 1 pomaranča, olupljena
 - 2 stebela zelene, postrgana
 - 1 citronka, olupljena
- **Sadje obdelajte v sokovniku. Dobro premešajte. Dodajte nekaj ledenih kock in takoj postrezite.**

Sok iz ananasa, breskev in hrušk

- 1/2 ananasa, olupljenega in razpolovljenega
 - 2 breskvi, razpolovljeni in brez koščic
 - 2 majhni zreli hruški, brez peclja
- **Ananas, breskve in hruške obdelajte v sokovniku. Postrezite takoj.**

Ananasovo pecivo presenečenja

- 3/4 skodelice ekstrakta ananasa
 - 10 žlic masla
 - 1 žlica sladkorja v prahu
 - 2 jajčna rumenjaka
 - 1 skodelica sladkanega kondenziranega mleka
 - 54 bebi keksov
 - 1/4 skodelice vode
 - 1 skodelica sladkorja
 - 1 konzerva narezanega ananasa.
 - 6-10 višenj
- **S sokovnikom iztisnite ekstrakt ananasa. Z mešalnikom stepajte maslo, da postane kremasto. Počasi dodajajte sladkor, jajčne rumenjake in sladkano kondenzirano mleko. Nadaljujte s stepanjem, da snov postane kosmičava, nato pa dodajte ekstrakt ananasa.**
- **Model za pecivo rahlo namažite z maslom ter dno in stranice modela prekrijte z bebi keksi, rahlo navlaženimi z ananasovim sirupom iz konzerve. Nato izmenično dodajajte plast smetane in plast bebi keksov. Na koncu nanosite plast smetane. Pecivo za tri ure postavite v hladilnik in nato vzemite iz modela.**
- **Karamelo pripravite tako, da zavrete sladkor in vodo. Pecivo okrasite z rezinami ananasa, višnjami in karamelo. Priporočamo, da uporabite model za pecivo.**

Pecivo s korenčki, jabolki in ananasom

- 200 g korenja
- 200 g ananasa
- 200 g jabolka
- 1 skodelica kokosa (naribanega)
- 3 skodelice moke
- 1 žlica pecilnega praška
- 1 žlica cimeta
- 1 skodelica sladkorja
- 1 skodelica medu
- 4 jajca
- 1 skodelica olja
- 1 zavitek vaniljinega sladkorja
- 1 skodelica sesekljanih orehov

- V sokovniku iztisnite sok iz kosov korenja, ananasa in jabolk. Uporabite tropine v posodi za tropine.
- Zmešajte tropine korenja, ananasa in jabolk. Dodajte med, sladkor, olje in vaniljin sladkor in dobro premešajte. Dodajte suhe sestavine in dobro premešajte.
- Premešajte kokos in orehe. Dodajte v naoljen pekač. Približno 45-55 minut pecite pri temperaturi 160 °C.
- S to mešanico lahko pripravite tudi slastne maslene kolače. Napolnite pekače za kolače do 3/4 in pecite 40 minut.

Podatki o sadju in zelenjavi

Sadje/zelenjava	Vitaminski/mineralni	Vrednost v kilojoulih/kalorijah	Hitrost iztiskanja
Jabolka	Vitamin C	200g=150kj (72 cal)	visoka
Marelice	Vsebujejo veliko vlaknin in kalij	30g=85kj (20 cal)	nizka
Pesa	Bogat vir folne kisline, vlaknin, vitamina C in kalija	160g=190kj (45 cal)	visoka
Borovnice	Vitamin C	125g=295kj (70 cal)	nizka
Brstični ohrovt	Vitamin C, B, B6, E, folna kislina in vlaknine	100g=110kj (26 cal)	nizka
Zelje	Vitamin C, folna kislina, kalij, B6 in vlaknine	100g=110kj (26 cal)	visoka
Korenje	Vitamin A, C, B6 in vlaknine	120g=125kj (30 cal)	visoka
Zelena	Vitamin C in kalij	80g=55kj (7 cal)	visoka
Kumarica	Vitamin C	280g=120kj (29 cal)	nizka
Janež	Vitamin C in vlaknine	300g=145kj (35 cal)	nizka
Grozdje	Vitamin C, B6 in kalij	125g=355kj (85 cal)	nizka
Kivi	Vitamin C in kalij	100g=100kj (40 cal)	nizka
Melone	Vitamin C, folna kislina, vlaknine in vitamin A	200=210kj (50 cal)	nizka
Nektarine	Vitamin C, B3, kalij in vlaknine	180g=355kj (85 cal)	visoka
Breskve	Vitamin C, B3, kalij in vlaknine	150g=205kj (49 cal)	visoka
Hruške	Vlaknine	150g=250kj (60 cal)	visoka
Ananas	Vitamin C	150g=245kj (59 cal)	visoka
Maline	Vitamin C, železo, kalij in magnezij	125g=130kj (31 cal)	nizka
Paradižniki	Vitamin C, vlaknine, vitamin E, folna kislina in vitamin A	100g=90kj (22 cal)	nizka

Odpravljanje težav

Poglavje zajema najpogostejše težave, na katere lahko naletite pri uporabi sokovnika. Za več podrobnosti preberite posamezne razdelke. Če težave ne morete odpraviti, pokličite Philipsov center za pomoč uporabnikom v vaši državi (telefonsko številko najdete v mednarodnem

garancijskem listu). Če v vaši državi takšnega centra ni, se obrnite na lokalnega Philipsovega prodajalca ali najbližji Philipsov pooblaščen servis.

Težava	Rešitev
Aparat ne deluje.	Aparat je opremljen z varnostnim sistemom in ne bo deloval, če sestavni deli niso pravilno nameščeni. Preverite, ali so sestavni deli pravilno nameščeni, vendar pred tem aparat izklopite.
Motorna enota pri prvih nekaj uporabah oddaja neprijeten vonj.	To ni nič neobičajnega. Če aparat po nekajkratni uporabi še vedno oddaja neprijeten vonj, preverite, kolikšne količine obdelujete in kolikšen je čas obdelave.
Aparat je zelo glasen, oddaja neprijeten vonj, je vroč na dotik, iz njega se kadi ipd.	Aparat izklopite in izključite iz električnega omrežja. Za pomoč se obrnite na najbližji Philipsov pooblaščen servis ali na prodajalca.
Filter je blokirán.	Aparat izklopite, očistite prostor za polnjenje in filter ter obdelajte manjše količine.
Filter se dotika prostora za polnjenje ali pa se močno trese med obdelovanjem sestavin.	Aparat izklopite in ga izključite iz električnega omrežja. Preverite, če je bil filter pravilno vstavljen v zbiralnik za sok. Reže na dnu filtra se morajo pravilno prilegati pogonski osi. Preverite, če je filter poškodovan. Razpoke, špranje, opraskana plošča ali druge pomanjkljivosti lahko povzročijo motnje v delovanju.
	Če na filteru opazite razpoke ali druge poškodbe, aparata ne uporabljajte več in se obrnite na najbližji Philipsov pooblaščen servis.

Uvod

Čestitamo vam na kupovini i dobrodošli u Philips! Da biste imali sve pogodnosti podrške koju pruža Philips, registrujte svoj proizvod na www.philips.com/welcome.

Vaš novi sokovnik ima specijalan, delimično zakošen dizajn, sa stranom na kojoj se nalazi izlazni otvor za sok nagnutom pod uglom od 5 ° kako bi se omogućilo dobijanje što veće količine soka.

Opšti opis (Sl. 1)

- A** Potiskivač
- B** Otvor za hranu
- C** Poklopac
- D** Filter
- E** Posuda za sakupljanje soka
- F** Spremište za pulpu
- G** Stezaljke
- H** Regulator
- I** Pogonska osovina
- J** Jedinica motora
- K** Pregrada za kabl
- L** Poklopac bokala za sok
- M** Mehanizam za odvajanje pene
- N** Bokal za sok
- O** Četka za čišćenje

Važno

Pre upotrebe aparata pažljivo pročitajte ovo uputstvo i sačuvajte ga za buduće potrebe.

Opasnost

- Ne uranjajte jedinicu motora u vodu ili neku drugu tečnost i ne ispirajte je pod slavinom.

Upozorenje

- Pre priključenja uređaja proverite da li napon naznačen na donjem delu aparata odgovara naponu lokalne električne mreže.
- Aparat ne upotrebljavajte ako su utikač, kabl ili drugi delovi oštećeni.
- Ako je glavni kabl oštećen, on uvek mora biti zamenjen od strane kompanije Philips, ovlašćenog Philips servisa ili na sličan način kvalifikovanih osoba, kako bi se izbegao rizik.
- Ovaj aparat nije namenjen za upotrebu od strane osoba (uključujući i decu) sa smanjenim fizičkim, senzornim ili mentalnim sposobnostima, ili nedostatkom iskustva i znanja, osim pod nadzorom ili na osnovu instrukcija za upotrebu aparata datih od strane osobe koja odgovara za njihovu bezbednost.
- Deca moraju da budu pod nadzorom da se ne bi igrala sa aparatom.
- Nikada ne ostavljajte uključen aparat bez nadzora.
- Ako primetite bilo kakve naprsline ili oštećenja na filteru, prestanite sa korišćenjem aparata i obratite se najbližem servisnom centru kompanije Philips.
- Dok aparat radi, nemojte gurati prste ili druge predmete u otvor za hranu. Za ovu namenu upotrebjavajte isključivo potiskivač.
- Ne dodirujte mala sečiva u osnovi filtera. Veoma su oštra.

Oprez

- Aparat je namenjen isključivo upotrebi u domaćinstvu.
- Nikada nemojte koristiti dodatke ili delove drugih proizvođača odnosno one dodatke i delove koje kompanija Philips nije izričito preporučila. U slučaju upotrebe takvih dodataka ili delova, garancija prestaje da važi.
- Proverite da li su svi delovi propisno montirani pre nego što uključite aparat.

- Uređaj koristite samo kada su obe stezaljke zaključane.
- Stezaljke možete otključati tek pošto isključite aparat i nakon što se filter zaustavi.
- Nemojte koristiti sokovnik duže od 40 sekundi kada cedite čvrste veće količine sastojaka i ostavite ga da se dovoljno ohladi nakon toga. Nijedan od receptata u ovom uputstvu za korišćenje ne sadrži velike količine sastojaka.
- Nemojte da skidate posudu za pulpu dok aparat radi.
- Aparat posle upotrebe uvek isključite iz napajanja.

Elektromagnetna polja (EMF)

Ovaj Philips aparat je usklađen sa svim standardima u vezi sa elektromagnetnim poljima (EMF). Ako se aparatom rukuje na odgovarajući način i u skladu sa uputstvima iz ovog priručnika, aparat je bezbedan za upotrebu prema naučnim dokazima koji su danas dostupni.

Pre upotrebe

- 1** Operite sve delove koji mogu da se skinu (pogledajte poglavlje "Čišćenje").
- 2** Izvucite kabl za napajanje iz odeljka za odlaganje kabla na zadnjoj strani uređaja (Sl. 2).
- 3** Stavite posudu za sakupljanje soka u aparat (1). Postavite spremište za pulpu na aparat tako što ćete ga malo nagnuti unapred (2). Umetnite prvo gornji kraj spremišta, a zatim pritisnite donji kraj (Sl. 3).

Ako želite da ispraznite spremište za pulpu dok pravite sok, isključite aparat i pažljivo izvadite spremište za pulpu.

Napomena: Ponovo sastavite ispraznjeno spremište za pulpu pre nego što nastavite sa ceđenjem.

- 4** Stavite filter u posudu za sakupljanje soka (1). Poklopac držite iznad filtera i spustite ga na predviđeno mesto (2) (Sl. 4).

Proverite da li je filter dobro pričvršćen na pogonsku osovinu (čujete „klik“).

Obavezno proverite filter pre upotrebe. Ako primetite bilo kakve naprsline ili oštećenja, nemojte koristiti aparat i obratite se najbližem servisnom centru kompanije Philips ili odnesite aparat kod vašeg prodavca.

- 5** Spustite dve stezaljke na poklopac da biste ga čvrsto zatvorili (čujete „klik“) (1). Ubacite potiskivač u otvor za hranu tako što ćete poravnati žleb na potiskivaču sa malom izbočinom u unutrašnjosti otvora za hranu (2) (Sl. 5).

Proverite da li su stezaljke zaključane u predviđenom položaju sa obe strane poklopca.

- 6** Postavite bokal za sok ispod grlića (Sl. 6).

Stavite poklopac na bokal za sok da biste izbegli prskanje ili ako želite da odložite sok u frižider.

Upotreba aparata

Aparat će funkcionisati isključivo ako su svi delovi propisno sastavljeni i ako je poklopac propisno zatvoren pomoću stezaljki.

- 1** Operite voće i/ili povrće i isecite ga na komadiće koji mogu da prođu kroz otvor za hranu. (Sl. 7)
- 2** Proverite da li je bokal za sok postavljen ispod grlića.
- 3** Okrenite regulator u položaj 1 (mala brzina) ili 2 (normalna brzina) da biste uključili aparat. (Sl. 8)

- Brzina 1 je naročito pogodna za meko voće i povrće kao što su lubenice, grožđe, paradajz, krastavci i maline.
- Brzina 2 je pogodna za sve vrste voća i povrća.

4 U otvor za hranu stavite iseckane komade i lagano ih pritisnite potiskivačem prema rotirajućem filteru (Sl. 9).

Ne pritisnjajte previše potiskivač jer to može da utiče na kvalitet krajnjeg rezultata, a može čak da izazove i zaglavljivanje filtera.

Nikada ne gurajte prste ili objekte u otvor za hranu.

Nakon što obradite sve sastojke i sok prestane da ističe, isključite aparat i sačekajte da se filter zaustavi.

5 Stavite mehanizam za uklanjanje pene u bokal za sok (1) i stavite poklopac na bokal za sok (2). Tako će pena ostati u bokalu dok sipate sok. (Sl. 10)

Napomena: Ako želite da napitak ima sloj pene, nemojte koristiti mehanizam za uklanjanje pene.

Saveti

- Koristite sveže voće i povrće jer ono sadrži više soka. Ananas, cvekla, stabljike celera, jabuke, krastavci, šargarepa, spanać, dinje, paradajz, nar, pomorandže i grožđe su naročito pogodni za obradu pomoću sokovnika.
- Ne morate da uklonite tanke kore ili kožice. Samo debela kora, npr. kod pomorandže, ananasa i nekuvane cvekle, mora da se ukloni. Takođe uklonite belu srž citrusa, jer ima gorak ukus.
- Kada pripremate sok od jabuke, imajte na umu da količina soka zavisi od vrste jabuka koje koristite. Što je jabuka sočnija, to se više soka može iscediti. Izaberite vrstu jabuka koja daje sok po vašem ukusu.
- Sok od jabuke veoma brzo dobija braon boju. Da biste usporili ovaj proces dodajte nekoliko kapi limunovog soka.
- Voće koje sadrži škrob, kao što su banane, papaja, avokado, smokve i mango, nije pogodno za obradu pomoću sokovnika. Koristite aparat za obradu hrane, blender ili cilindrični blender za obradu tog voća.
- Lišće i peteljke od, na primer, zelene salate možete obraditi pomoću sokovnika.
- Popijte sok odmah nakon ceđenja. Ako sok neko vreme ostane na vazduhu, izgubiće svoj ukus i hranljivu vrednost.
- Da biste iscedili što više soka, uvek polako pritisnjajte potiskivač.
- Sokovnik nije pogodan za obradu vrlo čvrstog i/ili vlaknastog voća i povrća, odnosno voća i povrća bogatog škrobom, kao što je šećerna trska.

Čišćenje

Za čišćenje aparata nemojte koristiti jastučice za ribanje i abrazivna sredstva za čišćenje niti agresivne tečnosti kao što su alkohol, benzin ili aceton.

Aparat ćete lakše očistiti ako to uradite neposredno nakon korišćenja.

1 Isključite aparat. Izvucite utikač iz zidne utičnice i sačekajte da se filter zaustavi.

2 Skinite zaprljane delove sa jedinice motora. Rastavite aparat sledećim redosledom:

- Skinite spremište za pulpu;
- Izvadite potiskivač;
- Otvorite stezaljke;
- Skinite poklopac.

3 Izvadite posudu za prikupljanje soka zajedno sa filterom (Sl. 11).

4 Očistite delove pomoću četke za čišćenje, u toploj vodi sa malo deterdženta, i isperite ih pod mlazom vode (Sl. 12).

Napomena: Sve delove koji se skidaju sa aparata možete da perete u mašini za pranje sudova. Plastične delove koji se skidaju na stavite u gornju pregradu mašine za pranje sudova. Proverite da li su dovoljno udaljeni od grejača.

5 Jedinicu motora čistite vlažnom tkaninom.

Nikada ne uranjajte jedinicu motora u vodu i ne perite je pod mlazom vode.

Zaštita okoline

- Aparat koji se više ne može upotrebljavati nemojte da odlažete u kućni otpad, već ga predajte na zvaničnom mestu prikupljanja za reciklažu. Tako ćete doprineti zaštiti okoline (Sl. 13).

Garancija i servis

Ako su vam potrebne informacije ili imate neki problem, posetite Philips web-stranicu na adresi www.philips.com ili se obratite Philips korisničkoj podršci u svojoj zemlji (broj telefona pronaći ćete na međunarodnom garantnom listu). Ako u vašoj zemlji ne postoji predstavništvo, obratite se ovlašćenom prodavcu ili servisnom odeljenju Philips Domestic Appliances and Personal Care BV.

Recepti

Energetski koktel

- 2 šolje šargarepe, očišćene
- 1/2 šolje krastavca
- 12 listova spanaća
- 1 limeta, oljuštena
- 1 šolja celera, očišćenog
- 1 jabuka
- 1 paradajz
- 2 kašike meda
- U sokovniku obradite sve sastojke osim meda. Dodajte med i dobro promešajte.
- Poslužite odmah, po želji sa kockicama leda.

Voćna mešavina

- 4 kajsije srednje veličine, bez koštice
- 2 šolje dinje u kockicama, oljuštene
- 1 velika jabuka, bez peteljke
- 1 pomorandža, oljuštena
- Obradite voće u sokovniku, dobro promešajte, dodajte nekoliko kockica leda i odmah poslužite.

Izazov

- 6 kajsija, bez koštice
- 2 šolje dinje, oljuštene
- 1/2 šolje soka od narandže
- Obradite voće u sokovniku. Dobro promešajte sok. Dodajte 6 kockica leda.
- Poslužite odmah u čašama srednje veličine, ukrašeno jagodama ili maraskino višnjama i reznjem narandže.

Ružičasti oblak

- 1 šolja jagoda
- 1 jezgro narandže, oljuštene
- 1 šolja kruške u kockicama, bez peteljke

- 1 mala šargarepa, očišćena
- ▶ **Obradite u sokovniku. Dobro promešajte.**
- ▶ **Poslužite odmah. Dodajte nekoliko kockica leda.**

Čarobni sok

- 1 šolja ananasa u kockicama, oljuštenog
- 1 šolja jabuke u kockicama, bez peteljke
- 2 male šargarepe, očišćene
- 1 pomorandža, oljuštena
- 2 stabljike celera, očišćene
- 1 limeta, oljuštena
- ▶ **Obradite voće u sokovniku. Dobro promešajte. Dodajte nekoliko kockica leda. Odmah poslužite.**

Sok od ananasa, breskve & kruške

- 1/2 ananasa, oljuštenog i prepolovljenog
- 2 breskve, prepolovljene i bez koštice
- 2 male zrele kruške, bez peteljke
- ▶ **Obradite ananas, breskve i kruške u sokovniku. Poslužite odmah.**

Torta od ananasa sa iznenađenjem

- 3/4 šolje soka od ananasa
- 10 kašika putera
- 1 kašika šećera u prahu
- 2 žumanca
- 1 šolja zaslađenog kondenzovanog mleka
- 54 piškote
- 1/4 šolje vode
- 1 šolja šećera
- 1 konzerva ananasa isečenog na kriške
- 6-10 maraskino višanja
- ▶ **Sokovnikom iscedite sok od ananasa. Mikserom umutite puter da postane kremast. Polako dodajte šećer, žumanca i zaslađeno kondenzovano mleko. Nastavite sa mučenjem dok smesa ne postane penasta, zatim dodajte sok od ananasa.**
- ▶ **Blago podmažite okrugli pleh puterom i složite tortu tako što ćete dno i bočne strane pleha obložiti piškotama koje ste malo ovlažili sokom iz konzerve ananasa. Zatim dodajte sloj krema, pa još jedan sloj piškota i tako dalje. Završite slojem krema. Tortu hladite u frižideru tri sata, zatim je izvadite iz kalupa.**
- ▶ **Napravite karamel tako što ćete ukuvati šećer i vodu. Ukrasite tortu kolotovima ananasa, maraskino višnjama i nitima karamela. Najbolje rezultate dobićete ako koristite okrugli pleh koji se skida.**

Kolač od šargarepe, jabuke i ananasa

- 200 g šargarepe
- 200 g ananasa
- 200 g jabuke
- 1 šolja kokosovog brašna
- 3 šolje brašna
- 1 kašika sode bikarbone
- 1 kašika cimeta
- 1 šolja šećera
- 1 šolja meda
- 4 jajeta

- 1 šolja ulja
- 1 kesica vanilin šećera
- 1 šolja seckanog koštunjavog voća
- **Iscedite šargarepu, ananas i komade jabuke. Upotrebite pulpu koja je ostala u spremištu za pulpu.**
- **Pomešajte pulpu šargarepe, ananasa i jabuke. Dodajte med, šećer, ulje i vanilin šećer i dobro izmešajte. Prosejite u tu masu suve sastojke i malo ih umešajte.**
- **Umešajte kokos i koštunjavo voće. Sipajte u podmazan pleh. Pecite na 160 °C u trajanju od 45-55 minuta.**
- **Od ove mešavine možete napraviti i odlične mafine. Napunite kalupe za mafin tako da budu 3/4 puni i pecite 40 minuta.**

Činjenice o voću i povrću

Voće/povrće	Vitamina/minerala	Broj kilodžula/kalorija	Brzina ceđenja
Jabuke	Vitamin C	200 g = 150 kJ (72 kalorija)	velika
Kajsije	Bogate su celuloznim vlaknima, sadrže kalijum	30 g = 85 kJ (20 kalorija)	mala
Cvekla	Dobar izvor folne kiseline, celuloznih vlakana, vitamina C i kalijuma	160 g = 190 kJ (45 kalorija)	velika
Borovnica	Vitamin C	125 g = 295 kJ (70 kalorija)	mala
Briselski prokelj	Vitamin C, B, B6, E, folna kiselina i celulozna vlakna	100 g = 110 kJ (26 kalorija)	mala
Kupus	Vitamin C, folna kiselina, kalijum, B6 i celulozna vlakna	100 g = 110 kJ (26 kalorija)	velika
Šargarepa	Vitamin A, C, B6 i celulozna vlakna	120 g = 125 kJ (30 kalorija)	velika
Celer	Vitamin C i kalijum	80 g = 55 kJ (7 kalorija)	velika
Krastavac	Vitamin C	280 g = 120 kJ (29 kalorija)	mala
Mirođija	Vitamin C i celulozna vlakna	300 g = 145 kJ (35 kalorija)	mala
Grožđe	Vitamin C, B6 i kalijum	125 g = 355 kJ (85 kalorija)	mala
Kivi	Vitamin C i kalijum	100 g = 100 kJ (40 kalorija)	mala
Dinje	Vitamin C, folna kiselina, celulozna vlakna i vitamin A	200 = 210 kJ (50 kalorija)	mala
Nektarine	Vitamin C, B3, kalijum i celulozna vlakna	180 g = 355 kJ (85 kalorija)	velika
Breskve	Vitamin C, B3, kalijum i celulozna vlakna	150 g = 205 kJ (49 kalorija)	velika
Kruške	Celulozna vlakna	150 g = 250 kJ (60 kalorija)	velika
Ananas	Vitamin C	150 g = 245 kJ (59 kalorija)	velika
Maline	Vitamin C, gvožđe, kalijum i magnezijum	125 g = 130 kJ (31 kalorija)	mala

Voće/povrće	Vitamina/minerala	Broj kilodžula/kalorija	Brzina ceđenja
Paradajz	Vitamin C, celulozna vlakna, vitamin E, folna kiselina i vitamin A	100 g = 90 kJ (22 kalorija)	mala

Rešavanje problema

U ovom poglavlju u kratkim crtama su navedeni najčešći problemi koji se mogu javiti pri korišćenju sokovnika. Više informacija potražite u odgovarajućim odeljcima. Ako i dalje ne možete da rešite problem, obratite se korisničkoj podršci kompanije Philips u vašoj zemlji (broj telefona pronaći ćete na međunarodnom garantnom listu). Ako u vašoj zemlji ne postoji korisnička podrška, obratite se lokalnom prodavcu kompanije Philips ili najbližem servisnom centru kompanije Philips.

Problem	Rešenje
Aparat ne radi.	Aparat je opremljen sigurnosnim sistemom. Neće raditi ako delovi nisu propisno montirani. Proverite da li su delovi pravilno sklopljeni, ali pre toga isključite aparat.
Oseća se neprijatan miris iz jedinice motora kada se aparat koristi prvih nekoliko puta.	Ovo nije neobično. Ako se neprijatan miris oseća i nakon što ste više puta upotreбили aparat, proverite da li su količina hrane i vreme obrade u skladu sa preporukom.
Aparat je previše bučan, ispušta neprijatan miris, ne može se dodirnuti jer je previše topao, ispušta dim itd.	Isključite aparat iz struje i izvucite kabl iz utičnice. Za savet se obratite najbližem Philips servisnom centru ili svom prodavcu.
Filter je zaglavljn.	Isključite aparat iz struje, očistite otvor za hranu i filter; pa obrađujte manje količine hrane.
Filter dodiruje ivice otvora za hranu ili izaziva jake vibracije tokom obrade hrane.	Isključite aparat i izvucite kabl iz utičnice. Proverite da li je filter pravilno postavljen u posudu za sakupljanje soka. Rebra na podnožju filtera moraju biti pravilno uklopljena sa pogonskom osovinom. Proverite da li je filter oštećen. Pukotine, slomljeni delovi, olabavljeni rešetkasti disk ili bilo koji drugi vid nepravilnosti može izazvati kvar.
	Ako primetite bilo kakve naprsline ili oštećenje na filteru, prestanite sa korišćenjem aparata i obratite se najbližem servisnom centru kompanije Philips.

Вступ

Вітаємо Вас із покупкою та ласкаво просимо до клубу Philips! Щоб уповні скористатися підтримкою, яку пропонує Philips, зареєструйте свій виріб на веб-сайті www.philips.com/welcome.

Ваша нова соковижималка має спеціальний дизайн, який передбачає невеликий, на 5 °, нахил в сторону отвору для подачі соку, чим забезпечує максимальний вихід соку.

Загальний опис (Мал. 1)

- A** Штовхач
- B** Отвір для подачі
- C** Кришка
- D** Фільтр
- E** Збирач соку
- F** Контейнер для м'якоти
- G** Затискачі
- H** Регулятор
- I** Привідний вал
- J** Блок двигуна
- K** Зберігання шнура
- L** Кришка глека для соку
- M** Відокремлювач піни
- N** Глек для соку
- O** Щітка для чищення

Важлива інформація

Уважно прочитайте цей посібник користувача перед тим, як використовувати пристрій, та зберігайте його для майбутньої довідки.

Небезпечно

- Не занурюйте блок двигуна у воду чи іншу рідину та не мийте його під краном.

Попередження

- Перед тим, як під'єднати пристрій до мережі, перевірте, чи збігається напруга, вказана на корпусі пристрою, із напругою у мережі.
- Не використовуйте пристрій, якщо штекер, шнур живлення або інші компоненти пошкоджені.
- Якщо шнур живлення пошкоджений, для уникнення небезпеки його необхідно замінити, звернувшись до компанії Philips, уповноваженого сервісного центру або фахівців із належною кваліфікацією.
- Цей пристрій не призначено для користування особами (включаючи дітей) з послабленими фізичними відчуттями чи розумовими здібностями, або без належного досвіду та знань, крім випадків користування під наглядом чи за вказівками особи, яка відповідає за безпеку їх життя.
- Дорослі повинні стежити, щоб діти не бавилися пристроєм.
- Ніколи не залишайте увімкнений пристрій без нагляду.
- Якщо Ви виявите тріщини на фільтрові, або якщо фільтр якимось чином пошкоджений, припиніть використовувати пристрій і зверніться до найближчого сервісного центру Philips.
- Ніколи не встромляйте в подавальний отвір пальці чи інші предмети, коли пристрій працює. Для цього використовуйте штовхач.
- Не торкайтеся малих ножів на основі фільтра. Вони дуже гострі.

Увага

- Цей пристрій призначений виключно для побутового використання.
- Не використовуйте приладдя чи деталі інших виробників, за винятком тих, які рекомендує компанія Philips. Використання такого приладдя чи деталей призведе до втрати гарантії.
- Перед тим, як вмикати пристрій, перевірте, чи усі деталі правильно встановлені.
- Використовуйте пристрій лише тоді, коли обидва затискачі зафіксовані.
- Розблокуйте затискачі лише тоді, коли Ви вимкнули пристрій, а фільтр перестав обертатися.
- Вичавлюючи сік з великої кількості продуктів, не залишайте соковижималку працювати довше, ніж 40 секунд за один раз. Потім дайте пристрою достатньо охолонути. Жоден з рецептів у цьому посібнику користувача не передбачає обробки великої кількості продуктів.
- Не виймайте контейнер для м'якоті, коли пристрій працює.
- Після використання завжди від'єднуйте пристрій від мережі.

Електромагнітні поля (ЕМП)

Цей пристрій Philips відповідає усім стандартам, які стосуються електромагнітних полів (ЕМП). Згідно з останніми науковими дослідженнями, пристрій є безпечним у використанні за умов правильної експлуатації у відповідності з інструкціями, поданими у цьому посібнику користувача.

Підготовка до використання

- 1** Промийте усі знімні частини (див. розділ “Чищення”).
- 2** Витягніть шнур живлення з відділення для зберігання шнура на задній частині пристрою (Мал. 2).
- 3** Помістіть збирач соку у пристрій (1). Вставте контейнер для м'якоті, ледь нахиливши його вперед (2). Вставте спочатку верхній край контейнера для м'якоті, а потім зафіксуйте нижній (Мал. 3).

Щоб спорожнити контейнер для м'якоті під час приготування соку, вимкніть пристрій і обережно вийміть контейнер для м'якоті.

Примітка: Знову закріпіть порожній контейнер для м'якоті перед тим, як продовжувати роботу.

- 4** Вставте фільтр у збирач соку (1). Підніміть кришку над фільтром, опускаючи її на місце (2) (Мал. 4).

Фільтр повинен бути надійно зафіксований на привідному валі (до клацання).

Перед використанням завжди перевіряйте фільтр. Якщо Ви виявите будь-які тріщини чи пошкодження, не використовуйте пристрій і зверніться до найближчого сервісного центру Philips або віднесіть пристрій до продавця.

- 5** Встановіть два затискачі на кришку, щоб її зафіксувати (1). Вирівняйте виїмку на штовхачі з малим виступом на внутрішній частині отвору для подачі й просуньте штовхач в отвір для подачі (2) (Мал. 5).

Затискачі повинні бути зафіксовані з обох сторін кришки.

- 6** Поставте глек для соку під носик (Мал. 6).

Накрийте глек кришкою, щоб сік не бризгав, або якщо Ви хочете зберігати сік в холодильнику.

Застосування пристрою

Пристрій працюватиме лише тоді, коли всі частини будуть правильно закріплені, а кришка правильно зафіксована затискачами.

1 Помийте фрукти та/або інші овочі і поріжте на шматки відповідно до розміру отвору подачі. (Мал. 7)

2 Переверіте, чи глек для соку стоїть під носиком.

3 Щоб увімкнути пристрій, поверніть регулятор в положення 1 (низька швидкість) або 2 (нормальна швидкість). (Мал. 8)

- Швидкість 1 найкраще підходить для м'яких фруктів та овочів, наприклад, кавунів, винограду, помідорів, огірків та малини.
- Швидкість 2 підходить для усіх видів фруктів та овочів.

4 Покладіть порізані шматки продуктів в отвір для подачі й за допомогою штовхача легенько потисніть їх донизу до фільтра, що обертається (Мал. 9).

Не натискайте на штовхач надто сильно, адже це може вплинути на якість кінцевого продукту і, навіть, спричинити зупинку фільтра.

Ніколи не встромляйте пальці чи інші об'єкти в отвір подачі.

Коли всі продукти оброблені, і весь сік витік, вимкніть пристрій і почекайте, доки фільтр не перестане обертатися.

5 Помістіть відокремлювач піни у глек для соку (1) і накрийте глек кришкою (2). Таким чином, коли Ви наливатимете сік, піна залишатиметься у глеку. (Мал. 10)

Примітка: Якщо Ви хочете, щоб сік мав піну, не використовуйте відокремлювач піни.

Поради

- Використовуйте свіжі фрукти та овочі, адже в них міститься більше соку. Особливо підходять для соковижималки ананаси, буряки, пагінці селери, яблука, огірки, морква, шпинат, дині, помідори, гранати, апельсини та виноград.
- Тонку шкірку з фруктів можна не знімати. Радимо знімати лише товсту шкірку, наприклад, з апельсинів, ананасів чи сирого буряка. Також знімайте білу шкірку з цитрусових, оскільки вона додає гіркоти.
- Готуючи яблучний сік, пам'ятайте, що консистенція соку залежить від сорту яблук. Чим соковитіше яблуко, тим рідший сік. Вибирайте такий сорт яблук, з якого можна отримати бажаний тип соку.
- Яблучний сік дуже швидко темніє. Щоб сповільнити цей процес, додайте кілька крапель лимонного соку.
- В соковижималці не можна обробляти фрукти, які містять крохмаль, такі як банани, папайя, авокадо, фіги та манго. Для отримання соку з цих видів фруктів використовуйте кухонний комбайн або блендер.
- В соковижималці можна також обробляти листя та пагінці салату та інших аналогічних продуктів .
- Пийте сік одразу ж після приготування. Під дією повітря через деякий час сік втратить смак і харчову цінність.
- Щоб вичавити максимальну кількість соку, завжди повільно натискайте штовхач донизу.
- Соковижималка не підходить для отримання соку з дуже твердих та/або волокнистих фруктів/фруктів з крохмалем або таких овочів, як цукрова тростина.

Чищення

Ніколи не використовуйте для чищення пристрою жорстких губок, абразивних засобів чи рідин для чищення, таких як спирт, бензин чи ацетон.

Пристрій легше чистити одразу ж після використання.

- 1** Вимкніть пристрій. Вийміть штекер з розетки і почекайте, доки фільтр не перестане обертатися.
- 2** Зніміть з блока двигуна брудні частини. Розбирайте пристрій в такому порядку:
 - Зніміть контейнер для м'якоти;
 - Вийміть штовхач;
 - Відкрийте затискачі;
 - Зніміть кришку.
- 3** Вийміть збирач соку разом з фільтром (Мал. 11).
- 4** Почистіть ці деталі за допомогою спеціальної щітки в теплій воді з миючим засобом, сполосніть водою з-під крана (Мал. 12).

Примітка: Усі знімні частини можна мити в посудомийній машині. Кладіть знімні пластикові частини на верхній лоток посудомийної машини. Перевірте, чи вони знаходяться на достатній відстані від нагрівального елемента.

- 5** Блок двигуна почистіть вологою ганчіркою.

Ні в якому разі не занурюйте блок двигуна у воду і не мийте його під краном.

Навколишнє середовище

- Не викидайте пристрій разом із звичайними побутовими відходами, а здавайте його в офіційний пункт прийому для повторної переробки. Таким чином Ви допомагаєте захистити довкілля (Мал. 13).

Гарантія та обслуговування

Якщо Вам необхідна інформація або у Вас виникла проблема, відвідайте веб-сторінку компанії Philips www.philips.com або зверніться до Центру обслуговування клієнтів компанії Philips у Вашій країні (телефон можна знайти на гарантійному талоні). Якщо у Вашій країні немає Центру обслуговування клієнтів, зверніться до місцевого дилера Philips або у відділ технічного обслуговування компанії Philips Domestic Appliances and Personal Care BV.

Рецепти

Енергетичний коктейль

- 2 склянки почищеної моркви
- 1/2 склянки огірків
- 12 листків шпинату
- 1 почищений плід лайма
- 1 склянка почищеної селери
- 1 яблуко
- 1 помідор
- 2 столові ложки меду
- Обробіть усі продукти, окрім меду, у соковижималці. Додайте мед і добре розмішайте.
- Одразу ж подавайте на стіл, додавши за бажанням кілька кубиків льоду.

Фруктове асорті

- 4 абрикоси середнього розміру без зернят
- 2 склянки кубиків почищеної дині
- 1 велике яблуко без серцевини
- 1 почищений апельсин

- Пропустіть усі фрукти через соковижималку, добре перемішайте, додайте кілька кубиків льоду й одразу ж подавайте на стіл.

Спокуса

- 6 абрикосів без зернят
- 2 склянки почищеної дині
- 1/2 склянки апельсинового соку
- Пропустіть фрукти через соковижималку. Добре перемішайте вичавлений сік. Додайте 6 кубиків льоду.
- Одразу подавайте на стіл у склянках середнього розміру, прикрашених полуницями чи вишнею в лікері та скибкою апельсина.

Рожева хмаринка

- 1 склянка полуниць
- 1 почищений апельсин без серцевини
- 1 склянка кубиків груші без серцевини
- 1 маленька почищена морквина
- Вичавіть сік у соковижималці. Ретельно перемішайте.
- Одразу ж подавайте на стіл. Додайте кілька кубиків льоду.

Чудо-сік

- 1 склянка порізаного на кубики чищеного ананаса
- 1 склянка кубиків яблук без серцевини
- 2 малі почищені морквини
- 1 почищений апельсин
- 2 почищені пагінці селери
- 1 почищений плід лайма
- Пропустіть усі фрукти через соковижималку. Добре перемішайте. Додайте кілька кубиків льоду. Одразу ж подавайте на стіл.

Сік з ананаса, персиків та груш

- 1/2 почищеного і розрізаного навпіл ананаса
- 2 розділених навпіл персика без кісточок
- 2 малі дозрілі груші без серцевини
- Пропустіть ананас, персики та груші через соковижималку. Одразу ж подавайте на стіл.

Пиріг “Ананасовий сюрприз”

- 3/4 склянки ананасового соку
- 10 столових ложок масла
- 1 столова ложка цукру-пудри
- 2 яєчні жовтки
- 1 склянка підсолодженого згущеного молока
- 54 печива “бісквітні палички”
- 1/4 склянки води
- 1 склянка цукру
- 1 банка ананасів скибками
- 6-10 вишень в лікері
- Вичавіть сік з ананаса за допомогою соковижималки. У міксері збийте масло на крем. Поступово додавайте цукор, яєчні жовтки та згущене молоко. Продовжуйте збивати до утворення легкої маси, потім додайте ананасовий сік.
- Змастіть форму невеликою кількістю масла і викладіть пиріг, вкриваючи дно і боки форми печивом “бісквітні палички”, трохи змоченим у сиропі з консервованого ананаса.

Потім додайте шар крему і ще один шар печива і так далі. Вкінці викладіть шар крему. Покладіть пиріг у холодильник на три години, потім вийміть його з форми.

- ▶ Приготуйте карамель, заваривши цукор із водою. Прикрасіть пиріг шматками ананаса, вишнею в лікері та нитками карамелі. Використання форми допоможе досягти найкращих результатів.

Пиріг із моркви, яблук та ананаса

- 200 г моркви
- 200 г ананаса
- 200 г яблук
- 1 склянка кокоса (тертого)
- 3 склянки муки
- 1 столова ложка порошку для тіста
- 1 столова ложка кориці
- 1 склянка цукру
- 1 склянка меду
- 4 яйця
- 1 склянка олії
- 1 пакетик ванільного цукру
- 1 склянка порізаних горіхів
- ▶ Вичавіть сік із моркви, шматків ананаса та яблук. Використайте м'якоть, яка зібралася в збирачі м'якоті.
- ▶ Змішайте м'якоть із моркви, ананаса та яблук. Додайте мед, цукор, олію та ванільний цукор і добре перемішайте. Посипте утворену суміш сухими інгредієнтами і добре розмішайте
- ▶ Додайте кокос та горіхи. Вилийте все у змащену маслом форму для випікання. Випікайте за температури 160 °C приблизно протягом 45-55 хвилин.
- ▶ За цим рецептом можна також спекти смачні кекси. Наповніть тістом 3/4 форми для кексів і випікайте протягом 40 хвилин.

Інформація про фрукти та овочі

Фрукти/овочі	Вітаміни/мінерали	Кількість кДж/кал.	Швидкість роботи
Яблука	Вітамін С	200 г=150 кДж (72 кал)	висока
Абрикоси	Високий вміст харчових волокон, містять калій	30 г=85 кДж (20 кал)	низька
Буряк	Добре джерело солі фолієвої кислоти, харчових волокон, вітаміну С і калію	160 г=190 кДж (45 кал)	висока
Лохина	Вітамін С	125 г=295 кДж (70 кал)	низька
Брюссельська капуста	Вітаміни С, В, В6, Е, солі фолієвої кислоти та харчові волокна	100 г=110 кДж (26 кал)	низька
Капуста	Вітамін С, солі фолієвої кислоти, калій, В6 та харчові волокна	100 г=110 кДж (26 кал)	висока
Морква	Вітаміни А, С, В6 та харчові волокна	120 г=125 кДж (30 кал)	висока

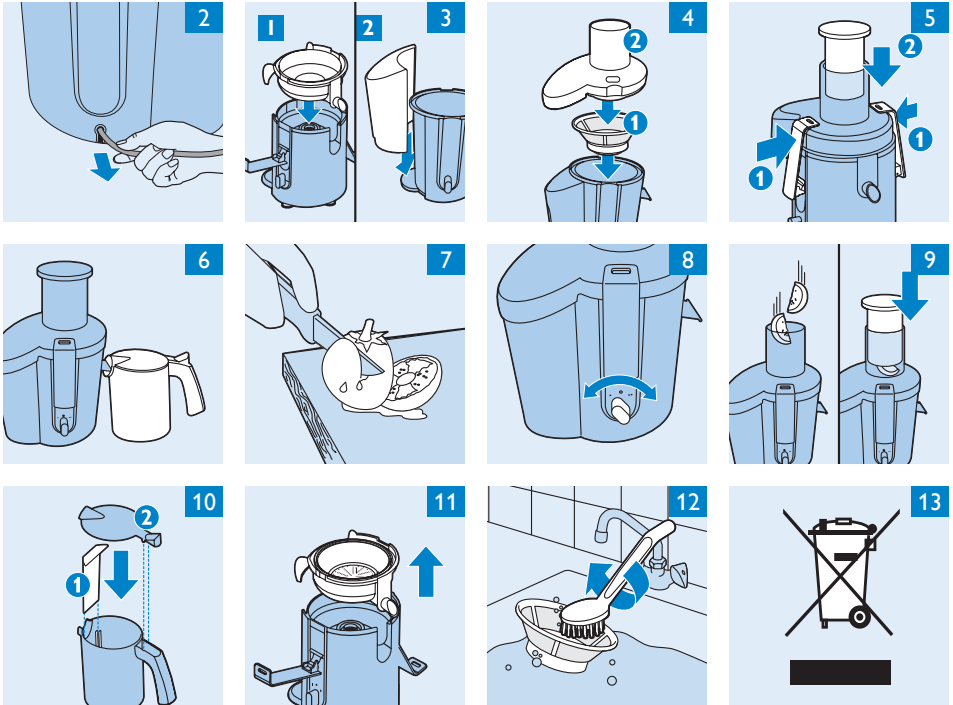
Фрукти/овочі	Вітаміни/мінерали	Кількість кДж/кал.	Швидкість роботи
Селера	Вітамін С і калій	80 г=55 кДж (7 кал)	висока
Огірок	Вітамін С	280 г=120 кДж (29 кал)	низька
Фенхель	Вітамін С та харчові волокна	300 г=145 кДж (35 кал)	низька
Виноград	Вітамін С, В6 та калій	125 г=355 кДж (85 кал)	низька
Ківі	Вітамін С і калій	100 г=100 кДж (40 кал)	низька
Дині	Вітамін С, солі фолієвої кислоти, харчові волокна і вітамін А	200 г=210 кДж (50 кал)	низька
Нектарин	Вітаміни С, В3, калій та харчові волокна	180 г=355 кДж (85 кал)	висока
Персики	Вітаміни С, В3, калій та харчові волокна	150 г=205 кДж (49 кал)	висока
Груші	Харчові волокна	150 г=250 кДж (60 кал)	висока
Ананаси	Вітамін С	150 г=245 кДж (59 кал)	висока
Малина	Вітамін С, залізо, калій та магній	125 г=130 кДж (31 кал)	низька
Помідори	Вітамін С, харчові волокна, вітамін Е, солі фолієвої кислоти та вітамін А	100 г=90 кДж (22 кал)	низька

Усунення несправностей

У цьому розділі зведено основні проблеми, які можуть виникнути під час використання соковижималки. Детальнішу інформацію можна знайти в окремих розділах. Якщо Вам не вдається вирішити проблему, зверніться до Центру обслуговування клієнтів Philips у Вашій країні (номер телефону можна знайти на гарантійному талоні). Якщо у Вашій країні немає Центру обслуговування клієнтів, зверніться до місцевого дилера або в найближчий сервісний центр Philips.


Проблема	Вирішення
Пристрій не працює.	Пристрій обладнано системою безпеки. Він не працюватиме, якщо частини пристрою неправильно закріплені. Перевірте, чи частини пристрою закріплені належним чином, але перед цим вимкніть пристрій.
Під час першого використання з двигуна виходить неприємний запах.	Це нормально. Якщо з пристрою продовжує виходити неприємний запах після кількох разів використання, перевірте, чи Ви переробляєте відповідну кількість продуктів і чи правильний час обробки.
Пристрій дуже шумить, видає неприємний запах, надто гарячий на дотик, з нього виходить дим тощо.	Вимкніть пристрій і від'єднайте його від мережі. Зверніться за допомогою до дилера або найближчого сервісного центру Philips.

Проблема	Вирішення
Фільтр заблокований.	Вимкніть пристрій, почистіть отвір для подачі та фільтр, а також обробляйте меншу кількість продуктів.
Фільтр торкається подавального отвору або сильно вібрає під час роботи.	Вимкніть пристрій і від'єднайте від мережі. Перевірте, чи фільтр правильно встановлений у збирач соку. Ребра на дні фільтра повинні попадати на привідний вал. Перевірте, чи фільтр не пошкоджений. Щілини, тріщини, незафіксований решітчастий диск або інші несправності можуть спричинити збій у роботі.
	Якщо Ви виявите тріщини на фільтрові або якимось чином його пошкодите, припиніть використовувати пристрій і зверніться до найближчого сервісного центру Philips.





www.philips.com

 100% recycled paper
100% papier recyclé

4222.002.6047.2

Free Manuals Download Website

<http://myh66.com>

<http://usermanuals.us>

<http://www.somanuals.com>

<http://www.4manuals.cc>

<http://www.manual-lib.com>

<http://www.404manual.com>

<http://www.luxmanual.com>

<http://aubethermostatmanual.com>

Golf course search by state

<http://golfingnear.com>

Email search by domain

<http://emailbydomain.com>

Auto manuals search

<http://auto.somanuals.com>

TV manuals search

<http://tv.somanuals.com>