

Docking Entertainment System

AJ301DB

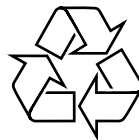
Register your product and get support at
www.philips.com/welcome

User manual

Docking Entertainment System

Meet Philips at the Internet
<http://www.philips.com>

English



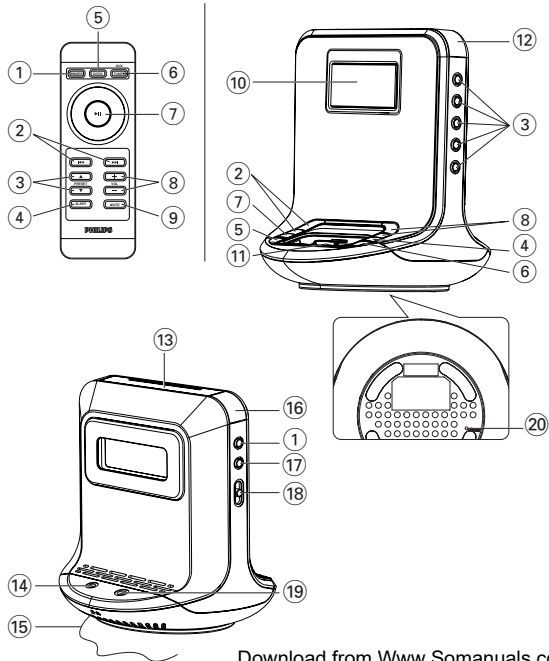
PHILIPS



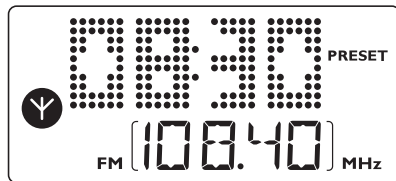
Download from www.Sonmanuals.com. All Manuals Search And Download.

AJ301DB_UM_12_V2.0_1013

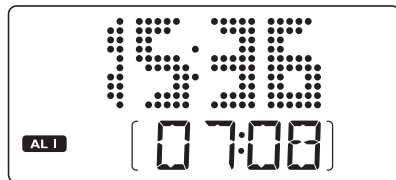
1



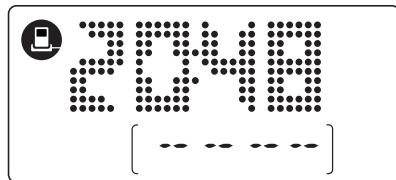
2



3



4



English

Congratulations on your purchase and welcome to Philips!
To fully benefit from the support that Philips offers, register your product at www.philips.com/welcome.

SUPPLIED ACCESSORIES

- 1 X certified AC/DC 18V adaptor
(Input: 100-240V ~ 50/60Hz 800mA, Output: 18V --- 1.6A)
- Docking kit
 - 1 X Apple iPod dock (pre-installed with AJ301DB);
 - dock adaptors (4 adaptors for different iPod types)
- 1 X AUX-IN cable

CONTROLS (See 1)

1 POWER

- switches the system on or to standby mode
- stops active alarm for 24 hours
- deactivates the sleep function

2

- adjust clock/alarm time
- selects previous/next tracks in the dock mode
- fast searches forward/backward in the dock mode

3 PRESET 1-5

- stores, recalls and shows radio station

4 SLEEP

- activates the sleep function
- deactivates the sleep function

5 DOCK

- selects dock mode for Apple iPod

6 TUNER/ AUX

- selects FM radio mode
- selects AUX mode

7

- starts/pauses playback in the dock mode
- selects 12 hour or 24 hour mode

8 VOL+/-

- adjusts the sound level

9 MUTE

- switches playback sound off and on.

10 Display

- shows clock/alarm times and status of the set

11 Dock connector (30 pins)

- connects iPod player

12 ALM 2

- activates/confirm ALARM 2 time setting
- displays ALARM 2 time
- switches off ALARM 2 time

13 REPEAT ALARM / BRIGHTNESS CONTROL

- switches off the alarm for a 9 minute period
- changes the brightness of the display illumination

14 POWER jack

- socket for AC/DC 18V adaptor

15 Pigtail – improves FM reception

16 ALM 1

- activates/confirm ALARM 1 time setting
- displays ALARM 1 time
- switches off ALARM 1 time

17 TIME SET

- activates/confirm clock time/date setting

18 (Wake-up mode) DOCK•BUZZER•TUNER

- selects alarm mode: dock, buzzer or radio

19 AUX IN jack (3.5 mm)

- connects to external audio source

20 RESET

- clears clock time setting

POWER SUPPLY

Mains adaptor

1 Connect the mains adaptor to the set's **DC 18V** socket and to the power socket.

Helpful hints: To avoid damage to the set, use only the adaptor supplied!

The type plate is located on the bottom of the set.

Remote control

Important!

- Before using the remote control, remove the insulation plastic tab as shown in the figure.
- If the remote control does not function correctly or the operating range is reduced, replace the battery with a new (CR2025) type battery.

1. Pull the battery tray out as shown in the figure below.
2. Replace a new battery according to polarity indication, and fully insert the battery tray back to the original position.



Batteries contains chemical substances, so they should be disposed of properly.

CAUTION

High voltage! Do not open. You run the risk of getting an electric shock. The machine does not contain any user-serviceable parts. Modification of the product could result in hazardous radiation of EMC or other unsafe operation.

This product complies with the radio interference requirements of the European Community.

Download from www.Somanuals.com.

SELF-POWERED BACK-UP

The self-powered back-up conveniently allows your preset stations, alarm and clock time settings to be stored for **up to 10 minutes** when there is a power interruption e.g. AC power failure. The complete clock radio and backlight illumination will be switched off.

- If power supply returns after 10 minutes and the display shows: clock time blinking - indicates you need to re-adjust the clock time.

BASIC OPERATION

Switching on the system

- Press **POWER**.
→ The system will switch to the last selected source.
- Press **TUNER/AUX** or **DOCK**.
→ The system will switch to the selected source.

Switching the system to standby mode

- In any source mode, press **POWER**.

Switching off the volume temporarily

Press **MUTE** on the remote control to stop sound play-back instantly.

→ Playback will continue without sound and the display shows **MUTE**.

- To start sound playback you can:
 - press **MUTE** again;
 - adjust the volume controls;
 - change source.

Illumination brightness

Press **REPEAT ALARM / BRIGHTNESS CONTROL** once or more.

- The brightness of the display can be adjusted:
Bright → **Low** → **Off** → **Bright**.

SETTING THE CLOCK AND DATE

1. In any mode, press and hold **TIME SET** until clock digits flashes.
2. Press **▲** to select 12 hours, 24 hours mode.

All Manuals Search And Download

3. Hold down or press ◀◀ / ▶▶ repeatedly to set and adjust the hours.
4. Press **TIME SET** to confirm.
→ The clock digits for the minutes flash.
5. Repeat the **steps 3 - 4** until you complete all the other settings for minutes, year, month and days.

TUNER

- 1 Press **TUNER/AUX** once to switch on the radio (FM only).
→ Display shows the radio frequency of the last selected waveband. Your preset station is also shown if you are listening to a preset. (See [2])
- 2 Adjust the sound using **VOL+/-**.
- 3 To select preset stations, press the respective **PRESET** button (1-5).

TUNING TO RADIO STATIONS

- 1 Press and hold ◀◀ / ▶▶ until the frequency in the display starts changing.
→ Display shows "Scr" during automatic tuning.
→ After the system tunes to a station of sufficient reception, display shows its frequency.
- To tune to a weak station, press ◀◀ / ▶▶ briefly and repeatedly until an optimal reception is found.

To improve reception (FM):

Extend and position the pigtail fully to obtain optimum reception.

STORING AND USING PRESET STATIONS

You can store up to 5 FM radio stations in the memory.

- 1 Tune to your desired station (see TUNING TO RADIO STATIONS).
- 2 To store a preset, hold down briefly on a **PRESET** button 1-5 until you hear a double beep.
→ Display shows the preset number of your station.
- 3 Repeat steps 1 and 2 to store your other stations.
- You can overwrite a preset station by storing another frequency in its place.
- 4 Press a **PRESET** button 1-5 (or **PRESET ▼ / ▲** on the remote control) to listen to a preset station.
→ To display clock time, press ▶II on the set.

USING THE ALARM

GENERAL

Two different alarm times can be set. This can be useful when you need to be woken up at a different time e.g. during the week and at the weekend, and you can set different wake-up modes:

- tuner mode.
- buzzer mode. The gentle wake buzzer alarm increases its beep tone frequency within seconds.
- dock mode.

SETTING THE ALARM TIME (See [3])

- 1 In any mode, press and hold **ALM1** or **ALM2** for two seconds.
→ **ALM1 / ALM2** icon and the hour digits flash. And the icon for the current alarm mode also flashes.
- 2 Hold down or press ◀◀ / ▶▶ repeatedly to set and adjust the hours.
- 3 Press **ALM1** or **ALM2** to confirm.
→ **ALM1 / ALM2** icon and the minutes digits flash. And the icon for the current alarm mode also flashes.
- 4 Hold down or press ◀◀ / ▶▶ repeatedly to set and adjust the minutes.
- 5 Press **ALM1** or **ALM2** to confirm.

SETTING THE ALARM MODE

- 1 Press **POWER** to switch to standby mode.
- 2 Select your choice of alarm mode: either docked player, buzzer, or radio by using the **DOCK•BUZZER•TUNER** slider.
- At the set alarm time, the docked player or radio or buzzer will switch on automatically.

Helpful hints:

- If you have selected **TUNER** alarm mode, make sure you have properly tuned to a station before turning off the set.
- If you have selected **DOCK** alarm mode, make sure you have docked the compatible player, or the buzzer mode will be selected automatically.
- To check the alarm time setting for **ALM1** or **ALM2**, press **ALM1** or **ALM2**.

SWITCHING OFF THE ALARM

There are three ways of switching off the alarm. Unless you cancel the alarm completely, the **24-hour ALARM RESET** will be automatically selected after 59 minutes from the time your alarm first goes off.

24 HOUR ALARM RESET

If you want the alarm mode to be stopped immediately but also wish to retain the same alarm setting for the following day:

- Press **POWER**.

REPEAT ALARM

This repeats your alarm call at 9 minute intervals.

- During the alarm call, press **REPEAT ALARM / BRIGHTNESS CONTROL..**
 - Display shows **ALM1** or **ALM2** flashing during a repeat alarm.
- Repeat if desired (up to a maximum of 6 times).

CANCELING THE ALARM COMPLETELY

- Press **ALM 1** or **ALM 2** button once or more until **ALM1** or **ALM2** disappears.

DOCK (See 4)

By connecting the iPod to your AJ301DB, you can listen to the sound of the docked player through the powerful speakers of the Hi-Fi system.

COMPATIBLE PORTABLE PLAYER

- Apple iPod models with 30-pin dock connector as follows:
Nano 1st /2nd/3rd generation, iPod 5th generation (video), iPod touch and iPod classic.

DOCK ADAPTORS

Before plugging your player in the dock, snap the suitable dock adaptor into the dock to provide a snug fit for the player to be docked.

Selecting the correct dock adaptor

- 4 iPod dock adaptors are included. Each adaptor has indication to match different iPod types.

PLAYING APPLE iPod USING AJ301DB

- 1 Snap the compatible iPod into the dock connector.
- 2 Press **DOCK** to switch on the dock mode.
- 3 The connected player will play automatically.

Notes:

- In dock mode, if no player is docked for 15 minutes, AJ301DB will come to stand-by.
- By using the buttons (**▶||**, **◀◀**, **▶▶**) and **VOLUME**) on the AJ301DB and its remote control, the following disc playback features are available: Play/Pause, selecting next/previous track, fast forwarding/rewinding and changing volume.
- The buttons (**▶||**, **◀◀**, **▶▶**) and **VOLUME**) on the AJ301DB and its remote control can work only with playback of the audio contents stored on the docked player.

CHARGING iPod BATTERY USING THE DOCK

By connecting the iPod to your AJ301DB, you can charge the iPod in the standby mode and power-on mode of AJ301DB.

SLEEP

This set has a built-in sleep timer, which enables the radio to be automatically switched off after a set period of time. There are five sleep time options.

Setting and switching off SLEEP

- 1 During playback, set your timer by pressing **SLEEP** repeatedly until the desired timer option appears.
 - Selections are follows (time in minute):
120 → 90 → 60 → 30 → 15 → OFF → 120
- 2 The set will turn off automatically at the selected time.
- 3 To cancel sleep, press either:
 - **POWER**
 - **SLEEP** once or more until **SLEEP** disappears from the display.

Reset

Should your set receive external interference e.g. static electricity from carpets, thunderstorms, etc. RESET allows you to clear all previous settings and start up again.

▲ All Manuals Search And Download
Used the pinpoint pen to press the RESET hole found on the bottom of the set.

CONNECTING AN EXTERNAL DEVICE

You can listen to the sound of the connected external device through your AJ301DB's speakers.

- 1 Press **TUNER/AUX** twice to select AUX mode.
- 2 Use the supplied AUX-IN cable to connect AJ301DB's **AUX IN** jack to an AUDIO OUT or headphone jack on an external equipment (such as CD player, or VCR).

MAINTENANCE & SAFETY

- Install the unit near the AC outlet and where the AC power plug can be easily reached.
- The apparatus shall not be exposed to dripping or splashing.
- Do not expose the set to humidity, rain, sand or excessive heat caused by heating equipment or direct sunlight.
- To clean your set, use a soft damp cloth or chamois leather. Do not use cleaning products, which contain benzene, thinner, etc. as these may harm the housing.
- Where the MAINS plug or an appliance coupler is used as the disconnect device, the disconnect device shall remain readily operable.
- Batteries (battery pack or batteries installed) shall not be exposed to excessive heat such as sunshine, fire or the like.

SPECIFICATIONS

Power Consumption.....	24 W
Output power.....	2 x 6 W RMS
Dimensions (w x h x d).....	161 x 191 x 164 (mm)
Weight.....	1.34 kg

TROUBLESHOOTING

If a fault occurs, first check the points listed below before taking the set for repair. If you are unable to remedy a problem by following these hints, consult your dealer or service centre.

WARNING: *Under no circumstances should you try to repair the set yourself, as this will invalidate the guarantee. Do not open the set as there is a risk of electric shock!*

No sound

- Volume not adjusted
- Adjust the volume
- The set is muted.
- Press "MUTE" on the remote control to active playback sound.

Display error / no reaction to any controls

- Electrical malfunction
- Unplug the power cord, then re-plug.

Intermittent crackling sound during FM reception

- Weak signal
- Extend and position the pigtail aerial

The alarm does not function

- Alarm time/ mode not set
- See **SETTING THE ALARM**
- Volume too low for radio
- Increase the volume

Dock operation

- The menu navigation or photo playback of the docked player cannot be carried out through the buttons on AJ301DB or its remote control.
- The buttons on AJ301DB and its remote control can control playback of audio contents only. To navigate the menu, use the controls on the docked player.
- Some buttons on AJ301DB and its remote control have no function.
- The buttons (▶||, ◀◀, ▶▶) and **VOLUME** function only.

ENVIROMENTAL INFORMATION

All unnecessary packaging material has been omitted. The packaging can be easily separated into three materials: cardboard, polystyrene and plastic.

Your set consists of materials which can be recycled if disassembled by a specialized company. Please observe the local regulations regarding the disposal of packaging, dead batteries and old equipment.

Disposal of your old product

Your product is designed and manufactured with high quality materials and components, which can be recycled and reused.

When this crossed-out wheeled bin symbol is attached to a product it means the product is covered by the European Directive 2002/96/EC.



Please inform yourself about the local separate collection system for electrical and electronic products.

Please act according to your local rules and do not dispose of your old products with your normal household waste. The correct disposal of your old product will help prevent potential negative consequences for the environment and human health.

Notes for battery disposal

Your product contains batteries covered by the European Directive 2006/66/EC, which cannot be disposed with normal household waste. Please inform yourself about the local rules on separate collection of batteries because correct disposal helps to prevent negative consequences for the environmental and human health.



Notes

Free Manuals Download Website

<http://myh66.com>

<http://usermanuals.us>

<http://www.somanuals.com>

<http://www.4manuals.cc>

<http://www.manual-lib.com>

<http://www.404manual.com>

<http://www.luxmanual.com>

<http://aubethermostatmanual.com>

Golf course search by state

<http://golfingnear.com>

Email search by domain

<http://emailbydomain.com>

Auto manuals search

<http://auto.somanuals.com>

TV manuals search

<http://tv.somanuals.com>