

Register your product and get support at  
[www.philips.com/welcome](http://www.philips.com/welcome)

Docking Entertainment System  
DCM250/37



Thank you for choosing Philips.

### Need help fast?

Read your *Quick Start Guide* and/or *User Manual* first for quick tips that make using your Philips product more enjoyable.

If you have read your instructions and still need assistance, you may access our online help at

[www.philips.com/welcome](http://www.philips.com/welcome)  
or call

**1-888-PHILIPS (744-5477)**

while with your product.

(and Model / Serial number)



Philips vous remercie de  
votre confiance.

### Besoin d'une aide rapide?

Le *Guide rapide de début* et *Manuel de l'utilisateur* regorgent d'astuces destinées à simplifier l'utilisation de votre produit Philips. Toutefois, si vous ne parvenez pas à résoudre votre problème, vous pouvez accéder à notre aide en ligne à l'adresse

[www.philips.com/welcome](http://www.philips.com/welcome)  
ou formez le

**1-800-661-6162 (Francofone)**

**1-888-PHILIPS (744-5477) (English speaking)**

Veillez à avoir votre produit à  
portée de main.

(et model / serial nombre)



Gracias por escoger Philips

### Necesita ayuda inmediata?

Lea primero la *Guía rápida del comienzo* o el *Manual del usuario*, en donde encontrará consejos que le ayudarán a disfrutar plenamente de su producto Philips.

Si después de leerlo aún necesita ayuda, consulte nuestro servicio de asistencia en línea en

[www.philips.com/welcome](http://www.philips.com/welcome)  
o llame al teléfono

**1-888-PHILIPS (744-5477)**

y tenga a mano el producto.  
(y número de model / serial)



EN User manual

FR Mode d'emploi

ES Manual del usuario

# PHILIPS

Register online at [www.philips.com/welcome](http://www.philips.com/welcome) today to  
get the very most from your purchase.

Registering your model with PHILIPS makes you eligible for all of the valuable benefits listed below, so don't miss out. Register online at [www.philips.com/welcome](http://www.philips.com/welcome) to ensure:

### \*Product Safety Notification

By registering your product you'll receive notification - directly from the manufacturer.

### \*Additional Benefits

Registering your product guarantees that you'll receive all of the privileges to which you're entitled, including special money-saving offers.

# PHILIPS

*Congratulations on your purchase,  
and welcome to the "family!"*

#### Dear PHILIPS product owner:

Thank you for your confidence in PHILIPS. You've selected one of the best-built, best-backed products available today. We'll do everything in our power to keep you happy with your purchase for many years to come.

As a member of the PHILIPS "family," you're entitled to protection by one of the most comprehensive warranties in the industry. What's more, your purchase guarantees you'll receive all the information and special offers for which you qualify, plus easy access to accessories from our convenient home shopping network.

Most importantly, you can count on our uncompromising commitment to your total satisfaction.


All of this is our way of saying welcome - and thanks for investing in a PHILIPS product.


**P.S. To get the most from your PHILIPS purchase, be sure to register online at:**

[www.philips.com/welcome](http://www.philips.com/welcome)

Know these  
**safety** symbols



 This "bolt of lightning" indicates uninsulated material within your unit may cause an electrical shock. For the safety of everyone in your household, please do not remove product covering.

 The "exclamation point" calls attention to features for which you should read the enclosed literature closely to prevent operating and maintenance problems.

**WARNING:** To reduce the risk of fire or electric shock, this apparatus should not be exposed to rain or moisture and objects filled with liquids, such as vases, should not be placed on this apparatus.

**CAUTION:** To prevent electric shock, match wide blade of plug to wide slot, fully insert.

**ATTENTION:** Pour éviter les chocs électriques, introduire la lame la plus large de la fiche dans la borne correspondante de la prise et pousser jusqu'au fond.

#### For Customer Use

Enter below the Serial No. which is located on the rear of the cabinet. Retain this information for future reference.

Model No. \_\_\_\_\_  
Serial No. \_\_\_\_\_

**PHILIPS**

Visit our World Wide Web Site at <http://www.philips.com/welcome>

# PHILIPS LIMITED WARRANTY ONE (1) YEAR

## WARRANTY COVERAGE:

PHILIPS warranty obligation is limited to the terms set forth below.

## WHO IS COVERED:

Philips warrants the product to the original purchaser or the person receiving the product as a gift against defects in materials and workmanship as based on the date of original purchase ("Warranty Period") from an Authorized Dealer. The original sales receipt showing the product name and the purchase date from an authorized retailer is considered such proof.

## WHAT IS COVERED:

The Philips warranty covers new products if a defect in material or workmanship occurs and a valid claim is received by Philips within the Warranty Period. At its option, Philips will either (1) repair the product at no charge, using new or refurbished replacement parts, or (2) exchange the product with a product that is new or which has been manufactured from new, or serviceable used parts and is at least functionally equivalent or most comparable to the original product in Philips current inventory, or (3) refund the original purchase price of the product. Philips warrants replacement products or parts provided under this warranty against defects in materials and workmanship from the date of the replacement or repair for ninety (90) days or for the remaining portion of the original product's warranty, whichever provides longer coverage for you. When a product or part is exchanged, any replacement item becomes your property and the replaced item becomes Philips' property. When a refund is given, your product becomes Philips' property.

**Note: Any product sold and identified as refurbished or renewed carries a ninety (90) day limited warranty.**

**Replacement product can only be sent if all warranty requirements are met. Failure to follow all requirements can result in delay.**

## WHAT IS NOT COVERED - EXCLUSIONS AND LIMITATIONS:

This Limited Warranty applies only to the new products manufactured by or for Philips that can be identified by the trademark, trade name, or logo affixed to it. This Limited Warranty does not apply to any non-Philips hardware product or any software, even if packaged or sold with the product. Non-Philips manufacturers, suppliers, or publishers may provide a separate warranty for their own products packaged with the bundled product.

Philips is not liable for any damage to or loss of any programs, data, or other information stored on any media contained within the product, or any non-Philips product or part not covered by this warranty. Recovery or reinstallation of programs, data or other information is not covered under this Limited Warranty.

This warranty does not apply (a) to damage caused by accident, abuse, misuse, neglect, misapplication, or non-Philips product, (b) to damage caused by service performed by anyone other than Philips or Philips Authorized Service Location, (c) to a product or a part that has been modified without the written permission of

Philips, or (d) if any Philips serial number has been removed or defaced, or (e) product, accessories or consumables sold "AS IS" without warranty of any kind by including refurbished Philips product sold "AS IS" by some retailers.

## This Limited Warranty does not cover:

- Shipping charges to return defective product to Philips.
- Labor charges for installation or setup of the product, adjustment of customer controls on the product, and installation or repair of antenna/signal source systems outside of the product.
- Product repair and/or part replacement because of improper installation or maintenance, connections to improper voltage supply, power line surge, lightning damage, retained images or screen markings resulting from viewing fixed stationary content for extended periods, product cosmetic appearance items due to normal wear and tear, unauthorized repair or other cause not within the control of Philips.
- Damage or claims for products not being available for use, or for lost data or lost software.
- Damage from mishandled shipments or transit accidents when returning product to Philips.
- A product that requires modification or adaptation to enable it to operate in any country other than the country for which it was designed, manufactured, approved and/or authorized, or repair of products damaged by these modifications.
- A product used for commercial or institutional purposes (including but not limited to rental purposes).
- Product lost in shipment and no signature verification receipt can be provided.
- Failure to operate per Owner's Manual.

## TO OBTAIN ASSISTANCE IN THE U.S.A., PUERTO RICO, OR U.S. VIRGIN ISLANDS...

Contact Philips Customer Care Center at:  
1-888-PHILIPS (1-888-744-5477)

## TO OBTAIN ASSISTANCE IN CANADA...

1-800-661-6162 (French Speaking)  
1-888-PHILIPS (1-888-744-5477) - (English or Spanish Speaking)

REPAIR OR REPLACEMENT AS PROVIDED UNDER THIS WARRANTY IS THE EXCLUSIVE REMEDY FOR THE CONSUMER. PHILIPS SHALL NOT BE LIABLE FOR ANY INCIDENTAL OR CONSEQUENTIAL DAMAGES FOR BREACH OF ANY EXPRESS OR IMPLIED WARRANTY ON THIS PRODUCT. EXCEPT TO THE EXTENT PROHIBITED BY APPLICABLE LAW, ANY IMPLIED WARRANTY OF MERCHANTABILITY OR FITNESS FOR A PARTICULAR PURPOSE ON THIS PRODUCT IS LIMITED IN DURATION TO THE DURATION OF THIS WARRANTY.

Some states do not allow the exclusions or limitation of incidental or consequential damages, or allow limitations on how long an implied warranty lasts, so the above limitations or exclusions may not apply to you.

*This warranty gives you specific legal rights. You may have other rights which vary from state/province to state/province.*

Philips, P.O. Box 10313 Stamford, CT 06904

3140 035 50201

# Contents

---

|                    |          |
|--------------------|----------|
| <b>1 Important</b> | <b>5</b> |
| Safety             | 5        |
| Notice             | 7        |

---

|  |          |
|--|----------|
| <b>2 Your Docking Entertainment System</b> | <b>8</b> |
| Introduction                               | 8        |
| What's in the box                          | 8        |
| Overview of the main unit                  | 9        |
| Overview of the remote control             | 10       |

---

|                             |           |
|-----------------------------|-----------|
| <b>3 Get started</b>        | <b>12</b> |
| Connect FM antenna          | 12        |
| Connect AM antenna          | 12        |
| Connect power               | 13        |
| Prepare the remote control  | 13        |
| Auto install radio stations | 14        |
| Set clock                   | 14        |
| Turn on                     | 14        |

---

|                    |           |
|--------------------|-----------|
| <b>4 Play disc</b> | <b>15</b> |
|--------------------|-----------|

---

|                        |           |
|------------------------|-----------|
| <b>5 Play from USB</b> | <b>16</b> |
|------------------------|-----------|

---

|                          |           |
|--------------------------|-----------|
| <b>6 Play options</b>    | <b>17</b> |
| Skip to a track          | 17        |
| Pause/resume play        | 17        |
| Search within a track    | 17        |
| Display play information | 17        |
| Repeat play              | 17        |
| Random play              | 17        |
| Program tracks           | 17        |

---

|                             |           |
|-----------------------------|-----------|
| <b>7 Play iPod/iPhone</b>   | <b>18</b> |
| Compatible iPod/iPhone      | 18        |
| Load the iPod/iPhone        | 18        |
| Listen to the iPod/iPhone   | 18        |
| Play video from iPod/iPhone | 19        |
| Charge the iPod/iPhone      | 19        |
| Remove the iPod/iPhone      | 19        |

---

|                                      |           |
|--------------------------------------|-----------|
| <b>8 Listen to the radio</b>         | <b>20</b> |
| Tune to a radio station              | 20        |
| Program radio stations automatically | 20        |
| Program radio stations manually      | 20        |
| Select a preset radio station        | 20        |
| Show RDS information                 | 20        |

---

|                              |           |
|------------------------------|-----------|
| <b>9 Adjust sound</b>        | <b>22</b> |
| Adjust volume                | 22        |
| Select a preset sound effect | 22        |
| Enhance bass                 | 22        |
| Mute sound                   | 22        |

---

|                              |           |
|------------------------------|-----------|
| <b>10 Other features</b>     | <b>23</b> |
| Set the sleep timer          | 23        |
| Set the alarm timer          | 23        |
| Listen to an external device | 23        |
| Listen through headphone     | 23        |

---

|                               |           |
|-------------------------------|-----------|
| <b>11 Product information</b> | <b>24</b> |
| Specifications                | 24        |
| USB playability information   | 25        |
| Supported MP3 disc formats    | 25        |
| RDS program types             | 26        |

---

|                           |           |
|---------------------------|-----------|
| <b>12 Troubleshooting</b> | <b>27</b> |
|---------------------------|-----------|

# 1 Important

## Safety

Know these safety symbols



This 'bolt of lightning' indicates uninsulated material within your unit may cause an electrical shock. For the safety of everyone in your household, please do not remove product covering.

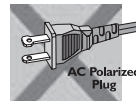
The 'exclamation point' calls attention to features for which you should read the enclosed literature closely to prevent operating and maintenance problems. **WARNING:** To reduce the risk of fire or electric shock, this apparatus should not be exposed to rain or moisture and objects filled with liquids, such as vases, should not be placed on this apparatus.

**CAUTION:** To prevent electric shock, match wide blade of plug to wide slot, fully insert.

## Important Safety Instructions

- ① Read these instructions.
- ② Keep these instructions.
- ③ Heed all warnings.
- ④ Follow all instructions.
- ⑤ Do not use this apparatus near water.
- ⑥ Clean only with dry cloth.

- ⑦ Do not block any ventilation openings. Install in accordance with the manufacturer's instructions.
- ⑧ Do not install near any heat sources such as radiators, heat registers, stoves, or other apparatus (including amplifiers) that produce heat.
- ⑨ Do not defeat the safety purpose of the polarized or grounding-type plug. A polarized plug has two blades with one wider than the other. A grounding type plug has two blades and a third grounding prong. The wide blade or the third prong are provided for your safety. If the provided plug does not fit into your outlet, consult an electrician for replacement of the obsolete outlet.



- ⑩ Protect the power cord from being walked on or pinched, particularly at plugs, convenience receptacles, and the point where they exit from the apparatus.
- ⑪ Only use attachments/accessories specified by the manufacturer.
- ⑫ Use only with the cart, stand, tripod, bracket, or table specified by the manufacturer or sold with the apparatus. When a cart is used, use caution when moving the cart/apparatus combination to avoid injury from tip-over.



- ⑬ Unplug this apparatus during lightning storms or when unused for long periods of time.

- ⑭ Refer all servicing to qualified service personnel. Servicing is required when the apparatus has been damaged in any way, such as power-supply cord or plug is damaged, liquid has been spilled or objects have fallen into the apparatus, the apparatus has been exposed to rain or moisture, does not operate normally, or has been dropped.
- ⑮ **Battery usage CAUTION – To prevent battery leakage which may result in bodily injury, property damage, or damage to the unit:**
  - Install all batteries correctly, + and - as marked on the unit.
  - Do not mix batteries (old and new or carbon and alkaline, etc.).
  - Remove batteries when the unit is not used for a long time.
- ⑯ Apparatus shall not be exposed to dripping or splashing.
- ⑰ Do not place any sources of danger on the apparatus (e.g. liquid filled objects, lighted candles).
- ⑱ This product may contain lead and mercury. Disposal of these materials may be regulated due to environmental considerations. For disposal or recycling information, please contact your local authorities or the Electronic Industries Alliance: [www.eiae.org](http://www.eiae.org).
  - Where the MAINS plug or an appliance coupler is used as the disconnect device, the disconnect device shall remain readily operable.



#### Warning

- Never remove the casing of this apparatus.
- Never lubricate any part of this apparatus.
- Never place this apparatus on other electrical equipment.
- Keep this apparatus away from direct sunlight, naked flames or heat.
- Never look into the laser beam inside this apparatus.
- Ensure that you always have easy access to the power cord, plug or adaptor to disconnect this apparatus from the power.

## Hearing safety

### Listen at a moderate volume.

- Using headphones at a high volume can impair your hearing. This product can produce sounds in decibel ranges that may cause hearing loss for a normal person, even for exposure less than a minute. The higher decibel ranges are offered for those that may have already experienced some hearing loss.
- Sound can be deceiving. Over time your hearing 'comfort level' adapts to higher volumes of sound. So after prolonged listening, what sounds 'normal' can actually be loud and harmful to your hearing. To guard against this, set your volume to a safe level before your hearing adapts and leave it there.

### To establish a safe volume level:

- Set your volume control at a low setting.
- Slowly increase the sound until you can hear it comfortably and clearly, without distortion.

### Listen for reasonable periods of time:

- Prolonged exposure to sound, even at normally 'safe' levels, can also cause hearing loss.
- Be sure to use your equipment reasonably and take appropriate breaks.

### Be sure to observe the following guidelines when using your headphones.

- Listen at reasonable volumes for reasonable periods of time.
- Be careful not to adjust the volume as your hearing adapts.
- Do not turn up the volume so high that you can't hear what's around you.
- You should use caution or temporarily discontinue use in potentially hazardous situations. Do not use headphones while operating a motorized vehicle, cycling, skateboarding, etc.; it may create a traffic hazard and is illegal in many areas.

## Notice

### Notice of compliance

The set complies with the FCC-Rules, Part 15 and with 21 CFR 1040.10. Operation is subject to the following two conditions:

- 1.This device may not cause harmful interference, and
- 2.This device must accept any interference received, including interference that may cause undesired operation.

### Canada

English:

This digital apparatus does not exceed the Class B limits for radio noise emissions from digital apparatus as set out in the Radio Interference Regulations of the Canadian Department of Communications. This Class B digital apparatus complies with Canadian ICES-003.

Français:

Cet appareil numérique n'émet pas de bruits radioélectriques dépassant les limites applicables aux appareils numériques de Classe B prescrites dans le Règlement sur le Brouillage Radioélectrique édicté par le Ministère des Communications du Canada. Cet appareil numérique de la classe B est conforme à la norme NMB-003 du Canada. Any changes or modifications made to this device that are not expressly approved by Philips Consumer Lifestyle may void the user's authority to operate the equipment. Your product contains batteries covered by the European Directive 2006/66/EC, which cannot be disposed of with normal household waste. When you see the crossed-out wheel bin symbol with the chemical symbol 'Pb', it means that the batteries comply with the requirement set by the directive for lead:



Please inform yourself about the local rules on separate collection of batteries. The correct disposal of batteries helps prevent potentially negative consequences on the environment and human health.

### Environmental information

All unnecessary packaging has been omitted. We have tried to make the packaging easy to separate into three materials: cardboard (box), polystyrene foam (buffer) and polyethylene (bags, protective foam sheet.) Your system consists of materials which can be recycled and reused if disassembled by a specialized company. Please observe the local regulations regarding the disposal of packaging materials, exhausted batteries and old equipment.

**This apparatus includes this label:**



Windows Media and the Windows logo are trademarks, or registered trademarks of Microsoft Corporation in the United States and/or other countries.

## 2 Your Docking Entertainment System

Congratulations on your purchase, and welcome to Philips! To fully benefit from the support that Philips offers, register your product at [www.philips.com/welcome](http://www.philips.com/welcome).

---

### Introduction

With this DCM250, you can enjoy audio from audio discs, USB devices, iPod players, iPhone and other external devices, or listen to radio stations.

The DCM250 offers you multiple sound effect settings that enrich sound with Digital Sound Control (DSC) and Dynamic Bass Boost (DBB). The DCM250 supports the following media formats:



---

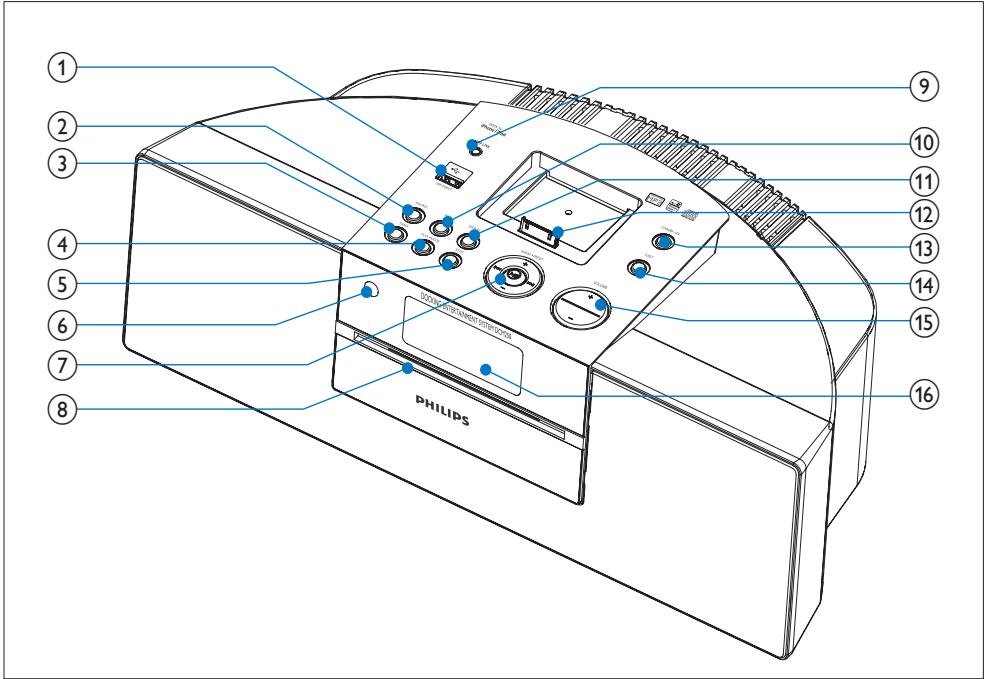
### What's in the box

Check and identify the contents of your package:

- Main unit
- Remote control with battery
- FM antenna
- AM antenna
- Video cable
- Back plate
- AC adaptor
- Power cord
- MP3 link cable
- User manual
- Quick start guide



# Overview of the main unit



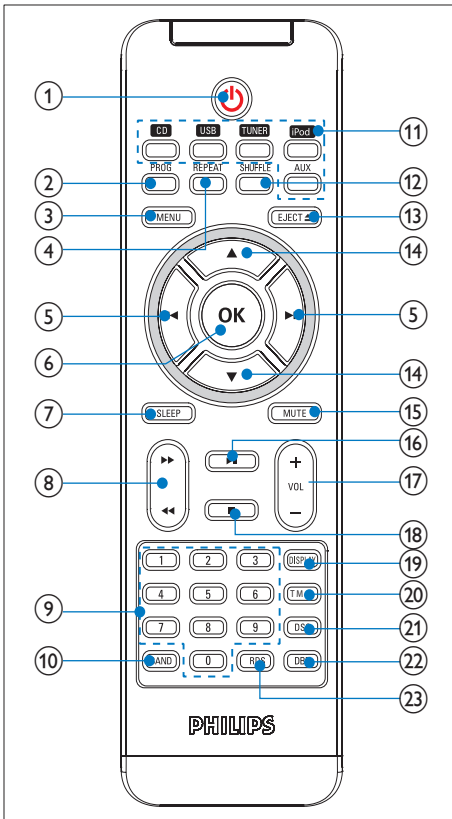
- ①
  - Jack for a USB mass storage device.
- ② **SOURCE**
  - Select a source: DISC, USB, iPod, TUNER, or MP3 LINK.
- ③ **TIMER**
  - Set the alarm timer.
- ④ **PLAY·MODE**
  - Select repeat/shuffle mode.
- ⑤ **STOP**
  - Stop play or erase a program.
- ⑥ **IR sensor**
- ⑦ **ALBUM·PRESET +/-**
  - Select a preset radio station.
  - Skip to the previous/next album.
  - Adjust time.

- - Skip to the previous/next track.
  - Search within a track/ disc/USB.
  - Tune to a radio station.
- - Start or pause play.
- ⑧ **Disc compartment**
- ⑨ **MP3-LINK**
  - Jack for an external audio device.
- ⑩ **PROG**
  - Program tracks.
  - Program radio stations.
  - Set the clock.
- ⑪ **DISPLAY**
  - During play, select display information.

- ⑫ Dock for iPod/iPhone
- ⑬ STANDBY-ON ⏻
  - Turn on the apparatus, switch to standby mode, or Eco Power standby mode.
- ⑭ EJECT ▲
  - Eject the disc.
- ⑮ VOLUME +/-
  - Adjust volume.
- ⑯ Display panel
  - Show current status.

- ① ⏻
  - Turn on the apparatus, switch to standby mode, or Eco Power standby mode.
- ② PROG
  - Program tracks.
  - Program radio stations.
  - Set the clock.
- ③ MENU
  - Access the iPod/iPhone menu.
- ④ REPEAT
  - Select a repeat play mode.
- ⑤ ⏮▶
  - Skip to the previous/next track.
  - Navigate through the iPod/iPhone menu.

## Overview of the remote control



- ⑥ OK
  - Confirm a selection.
- ⑦ SLEEP
  - Set the sleep timer.
- ⑧ ⏮▶
  - Search within a track/disc/USB/iPod/iPhone.
  - Tune to a radio station.
- ⑨ Numeric keypad
  - Select a track from a disc directly.
- ⑩ BAND
  - Select a waveband: FM or AM.
- ⑪ Source selection keys (CD, USB, TUNER, iPod, AUX)
  - Select a source: CD, USB, TUNER, iPod/iPhone or AUX (MP3 LINK).
- ⑫ SHUFFLE
  - Play tracks randomly.
- ⑬ EJECT ▲
  - Eject the disc.
- ⑭ ▲▼
  - Skip to the previous/next album.
  - Navigate through the iPod/iPhone menu.

- ⑮ **MUTE**
  - Mute volume.
- ⑯ **▶ ||**
  - Start or pause play.
- ⑰ **VOL +/-**
  - Adjust volume.
- ⑱ **■**
  - Stop play or erase a program.
- ⑲ **DISPLAY**
  - During play, select display information.
- ⑳ **TIMER**
  - Set the alarm timer.
- ㉑ **DSC**
  - Select a preset sound setting.
- ㉒ **DBB**
  - Turns on or off dynamic bass enhancement.
- ㉓ **RDS**
  - Display available RDS (Radio Data System) information of an FM radio station.

# 3 Get started

## ! Caution

- Use of controls or adjustments or performance of procedures other than herein may result in hazardous radiation exposure or other unsafe operation.

Always follow the instructions in this chapter in sequence.

If you contact Philips, you will be asked for the model and serial number of this apparatus. The model number and serial number are on the bottom of the apparatus. Write the numbers here:

Model No. \_\_\_\_\_

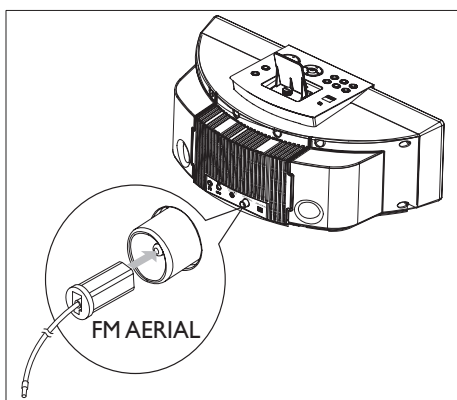
Serial No. \_\_\_\_\_

## Connect FM antenna

### \* Tip

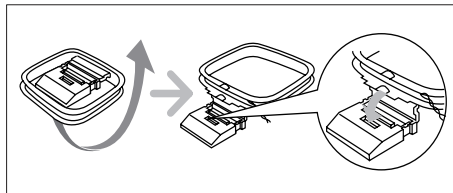
- For optimal reception, fully extend and adjust the position of the antenna.

- 1 Connect the supplied FM antenna to the **FM AERIAL** jack on the main unit.

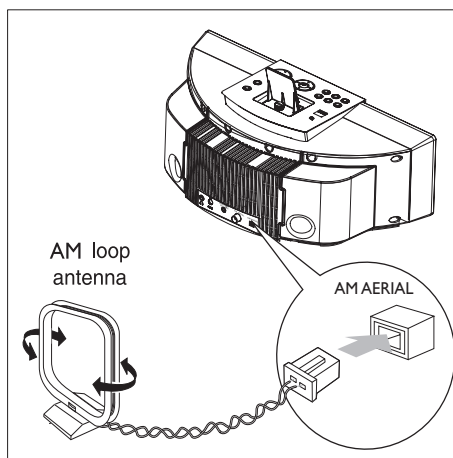


## Connect AM antenna

- 1 Assemble the AM loop antenna.



- 2 Connect the AM loop antenna to the **AM AERIAL** jack on the rear of the main unit.



### ≡ Note

- Position the antenna as far as possible from a TV, VCR or other radiation source.

## Connect power

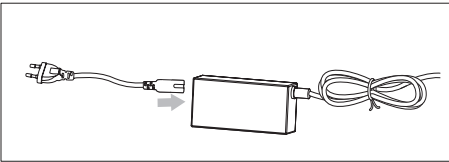
### ! Caution

- Risk of product damage! Ensure that the power supply voltage corresponds to the voltage printed on the back or the underside of the unit.
- Risk of electric shock! When you unplug the AC power cord, always pull the plug from the socket. Never pull the cord.
- Before connecting the AC power cord, ensure you have completed all other connections.

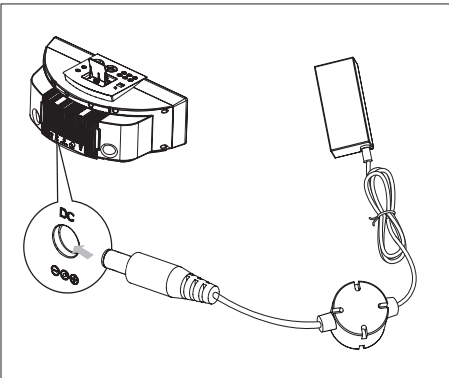
### ≡ Note

- The type plate is located on the bottom of the main unit.

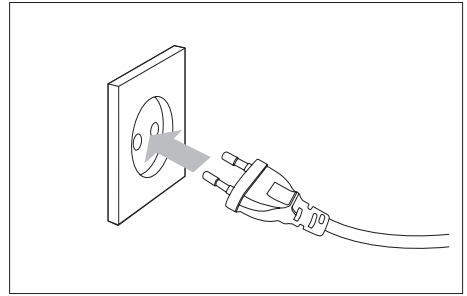
- 1 Connect the power cord to the AC adaptor.



- 2 Connect one end to the DC socket on the main unit.



- 3 Connect the other end to the wall socket.



## Prepare the remote control

### ! Caution

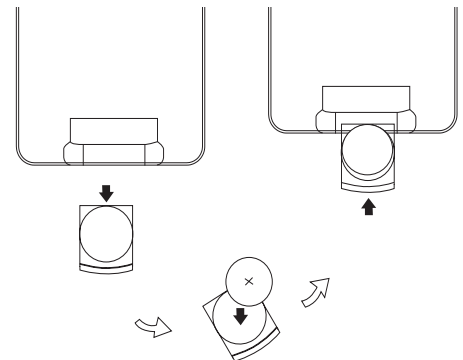
- Risk of explosion! Keep batteries away from heat, sunshine or fire. Never discard batteries in fire.
- Perchlorate Material - special handling may apply. See [www.dtsc.ca.gov/hazardouswaste/perchlorate](http://www.dtsc.ca.gov/hazardouswaste/perchlorate).

For first-time use:

- 1 Remove the protective tab to activate the remote control battery.

To replace the remote control battery:

- 1 Open the battery compartment.
- 2 Insert 1 CR2025 battery with correct polarity (+/-) as indicated.
- 3 Close the battery compartment.





## Note

- Before pressing any function button on the remote control, first select the correct source with the remote control instead of the main unit.
- If you are not going to use the remote control for a long time, remove the battery.

## Auto install radio stations

When you connect power and no radio stations are stored, the DCM250 automatically begins to store radio stations.

- 1 Connect the DCM250 to the power supply.
  - ↳ [AUTO INSTALL - PRESS PLAY] (auto install - press the PLAY button) is displayed.
- 2 Press **▶||** on the main unit to start installation.
  - ↳ The DCM250 automatically stores radio stations with sufficient signal strength.
  - ↳ When all the available radio stations are stored, the first preset radio station is broadcast automatically.

## Set clock

- 1 In standby mode, press **PROG** to activate the clock setting mode.
  - ↳ The 12 hour or 24 hour format is displayed.
- 2 Press **◀▶** to select 12 hour or 24 hour format.
- 3 Press **PROG**.
  - ↳ The hour digits are displayed and begin to blink.
- 4 Press **◀▶** to set the hour.
- 5 Press **PROG**.

- ↳ The minute digits are displayed and begin to blink.

- 6 Press **◀▶** to set the minute.
- 7 Press **PROG** to confirm.

## Turn on

- 1 Press **⏻**.
  - ↳ The DCM250 switches to the last selected source.

## Switch to standby

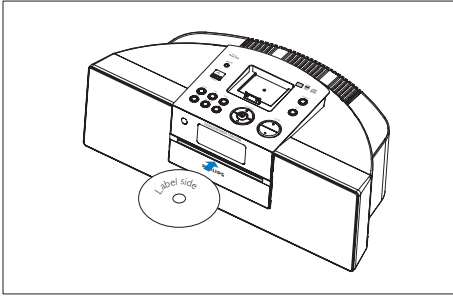
- 1 Press **⏻** to switch the DCM250 to standby mode.
  - ↳ The backlight on the display panel is reduced.
  - ↳ The clock (if set) appears on the display panel.

## To switch the DCM250 to Eco Power Standby mode:

- 1 In standby mode, press and hold **⏻** for more than 2 seconds.
  - ↳ The backlight on the display panel turns off.

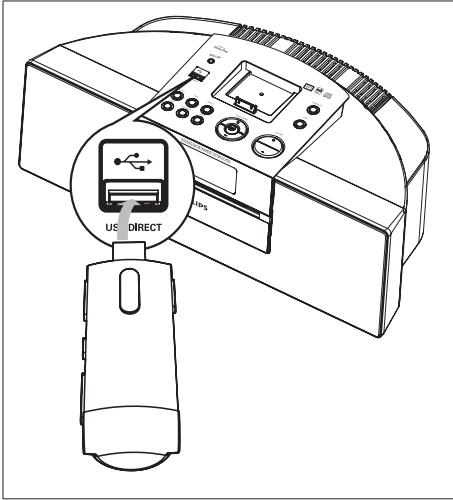
## 4 Play disc

- 1 Press **CD** to select the disc source.
- 2 Insert a disc into the disc compartment with the printed side facing up.



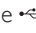
- 3 Press **▶||** to start play.

## 5 Play from USB



### Note

- Ensure that the USB device contains playable audio content (see 'USB playability information' on page 25).

- 1 Connect the USB device into the  socket.
- 2 Press **USB** to select the USB source.  
↳ The total number of tracks is displayed.
- 3 Press **▲▼** to select a folder.
- 4 Press **◀▶** to select a file.
- 5 Press **▶||** to start play.



## 6 Play options

### Skip to a track

For CD:

- 1 Press **⏮** to select another track.
  - To select a track directly, you can also press a key on the numerical keypad.

For MP3 disc and USB:

- 1 Press **▲▼** to select an album or folder.
- 2 Press **⏮** to select a track or file.

### Pause/resume play

- 1 During play, press **⏸** to pause/resume play.

### Search within a track

- 1 During play, press and hold **⏮**.
- 2 Release to resume normal play.

### Display play information

- 1 During play, press **DISPLAY** repeatedly to select different play information.

### Repeat play

- 1 During play, press **REPEAT** repeatedly to select:
  - **↻**: The current track is played repeatedly.
  - **↻ALL**: All tracks are played repeatedly.

- For MP3/WMA and USB: **↻** and **[ALB]**. The current album is played repeatedly.

- 2 To return to normal play, press **REPEAT** repeatedly until the repeat mode is no longer displayed.

### Random play

- 1 Press **SHUFFLE**.  
↳ **↻** is displayed. All tracks are played in a random sequence.
- 2 To return to normal play, press **SHUFFLE** again.



Tip

- The repeat and shuffle functions cannot be activated at the same time.

### Program tracks

You can program a maximum of 40 tracks.

- 1 At CD/USB mode, at the stop position, press **PROG** to activate the program mode.  
↳ **[PROG]** (program) blinks on the display.
- 2 For MP3/WMA tracks, press **▲▼** to select an album.
- 3 Press **⏮** to select a track number, then press **PROG** to confirm.
- 4 Repeat steps 2 to 3 to program more tracks.
- 5 Press **⏸** to play the programmed tracks.  
↳ During play, **[PROG]** (program) is displayed.
  - To erase the program, in the stop position, press **■**.

# 7 Play iPod/iPhone

You can enjoy audio/video from iPod/iPhone through this DCM250.

---

## Compatible iPod/iPhone

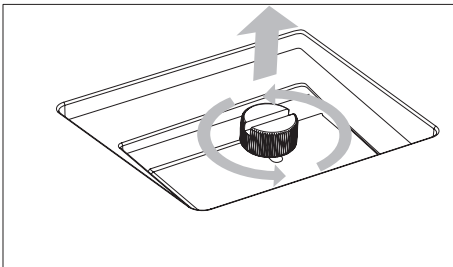
Apple iPod and iPhone models with a 30-pin dock connector:

- iPod classic, iPod touch, iPod nano, iPod 5th generation (video), iPod with color display, iPod mini.
- iPhone, iPhone 3G.

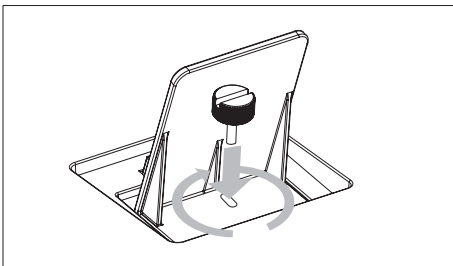
---

## Load the iPod/iPhone

- 1 Remove the screw on the dock.

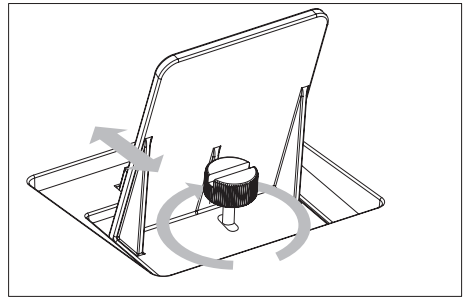


- 2 Place the back plate upright.
- 3 Place the screw in its original position.
  - Note: Do not tighten the screw.



- 4 Place the iPod/iPhone in the dock.

- 5 Adjust the position of the back plate to fit the iPod/iPhone securely.



- 6 When the back plate is in the correct position, tighten the screw.
  - ↳ When the DCM250 is connected to power, the docked iPod/iPhone begins to charge.

---

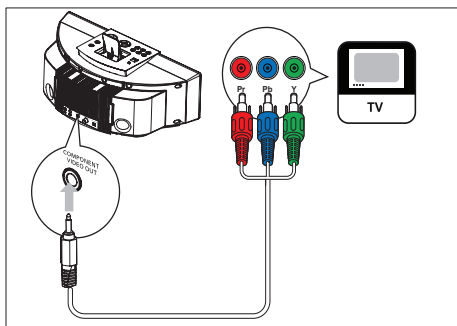
## Listen to the iPod/iPhone

- 1 Ensure that the iPod/iPhone is loaded correctly.
- 2 Press **iPod** to select iPod/iPhone source.
  - ↳ The connected iPod/iPhone plays automatically.
    - To pause/resume play, press **▶||**.
    - To skip to a track, press **◀◀▶▶**.
    - To search during play: press and hold **◀◀▶▶**, then release to resume normal play.
    - To navigate the menu: press **MENU**, press **▲▼◀▶** to select, then press **OK** to confirm.

## Play video from iPod/iPhone

You can connect the unit to a TV to enjoy video from the iPod/iPhone.

- 1 Connect the supplied video cable to:
  - the **COMPONENT VIDEO OUT** jack on the unit.
  - the video input jacks on the TV.



- 2 Ensure that the iPod/iPhone is loaded correctly.
- 3 Press **iPod** to select the iPod/iPhone source.
- 4 Press **MENU** to enter the iPod/iPhone menu.
- 5 Press **▲▼◀▶** to select a video file.
- 6 Press **OK** to confirm.

## Charge the iPod/iPhone

When the DCM250 is connected to power, the docked iPod/iPhone begins to charge.

## Remove the iPod/iPhone

- 1 Pull the iPod/iPhone out of the dock.

# 8 Listen to the radio

## Tune to a radio station

### Tip

- For optimal FM reception, fully extend and adjust the position of the FM antenna.
- For optimal AM reception, adjust the position of the AM loop antenna.

- 1 Press **TUNER** to select the tuner source.
- 2 Press **BAND** to select FM or AM.
- 3 Press and hold **◀▶** for more than 2 seconds.
  - ↳ [SEARCH] (search) is displayed.
  - ↳ The radio tunes to a station with strong reception automatically.
- 4 Repeat step 2 to tune to more stations.
  - To tune to a weak station, press **◀▶** repeatedly until you find optimal reception.

## Program radio stations automatically

### Note

- You can program a maximum of 40 preset radio stations.

- 1 In tuner mode, press and hold **PROG** for 2 seconds to activate automatic program mode.
  - ↳ [AUTO] (auto) is displayed.
  - ↳ All available stations are programmed in the order of waveband reception strength.

- ↳ The first programmed radio station is broadcast automatically.

## Program radio stations manually

### Note

- You can program a maximum of 40 preset radio stations.

- 1 Tune to a radio station.
- 2 Press **PROG** to activate program mode.
  - ↳ [PROG] (program) blinks on the display.
- 3 Press **◀▶** to allocate a number (1 to 40) to this radio station, then press **PROG** to confirm.
  - ↳ The preset number and the frequency of the preset station are displayed.
- 4 Repeat the above steps to program other stations.

### Note

- To overwrite a programmed station, store another station in its place.

## Select a preset radio station

- 1 In tuner mode, press **◀▶** to select a preset number.

## Show RDS information

RDS (Radio Data System) is a service that allows FM stations to show additional information. If you tune to a RDS station, a RDS icon and the station name are displayed. When automatic programming is used, RDS stations are programmed first.

- 1 Tune to a RDS station.
- 2 Press **RDS** repeatedly to scroll through the following information (if available):
  - ↳ Station name
  - ↳ Program type such as **[NEWS]** (news), **[SPORT]** (sport), **[POP M]** (pop music)...
  - ↳ Radio text messages
  - ↳ Frequency



#### Note

- The definitions of RDS program types are available (see 'RDS program types' on page 26).

# 9 Adjust sound

---

## Adjust volume

- 1 During play, press **VOL +/-** to increase/decrease the volume.

---

## Select a preset sound effect

- 1 During play, press **DSC** repeatedly to select:
  - [POP] (pop)
  - [JAZZ] (jazz)
  - [CLASSIC] (classic)
  - [ROCK] (rock)

---

## Enhance bass

- 1 During play, press **DBB** to turn on or off dynamic bass enhancement.
  - ↳ If DBB is activated, DBB is displayed.

---

## Mute sound

- 1 During play, press **MUTE** to mute/unmute sound.

# 10 Other features

## Set the sleep timer

This DCM250 can switch to standby automatically after a set period of time.

- 1 When the DCM250 is turned on, press **SLEEP** repeatedly to select a set period of time (in minutes).
  - ↳ When sleep timer is activated, the display shows [SLEEP](sleep)  $\text{z}z^z$ .

### To deactivate sleep timer

- 1 Press **SLEEP** repeatedly until "OFF" is displayed.
  - ↳ When sleep timer is deactivated, [SLEEP](sleep)  $\text{z}z^z$  disappears on the display.

## Set the alarm timer

This DCM250 can be used as an alarm clock. The DISC, TUNER, USB or iPod is activated to play at a preset time.

- 1 Ensure that you have set the clock correctly.
- 2 Press and hold **TIMER**.
- 3 Press **CD**, **USB**, **TUNER** or **iPod** to select a source.
- 4 Press **TIMER** to confirm.
  - ↳ The hour digits are displayed and begin to blink.
- 5 Press **⏮** to set the hour.
- 6 Press **TIMER** to confirm.
  - ↳ The minute digits are displayed and begin to blink.
- 7 Press **⏮** to set the minute.
- 8 Press **TIMER** to confirm.
  - ↳ The timer is set and activated.

## Activate and deactivate the alarm timer

- 1 Press **TIMER** repeatedly to activate or deactivate the timer.
  - ↳ If the timer is activated, the display shows  $\text{z}z^z$ .
  - ↳ If the timer is deactivated,  $\text{z}z^z$  disappears on the display.

### Note

- If DISC/USB/iPod source is selected and the track cannot be played, tuner is activated automatically.

## Listen to an external device

You can also listen to an external audio device through this unit.

- 1 Press **AUX** to select MP3 link source.
- 2 Connect the supplied MP3 link cable to:
  - the **MP3 LINK** jack on this unit
  - the headphone jack on the device
- 3 Start to play the device. (See the device user manual)

## Listen through headphone

- 1 Plug a headphone into the  $\text{H}$  socket on the unit.

# 11 Product information

## Note

- Product information is subject to change without prior notice.

## Specifications

### Amplifier

|                       |                             |
|-----------------------|-----------------------------|
| Rated Output Power    | 2X15W RMS                   |
| Frequency Response    | 100 Hz - 16 kHz, $\pm 3$ dB |
| Signal to Noise Ratio | >70dB                       |
| Aux Input             | 0.5 V RMS 20kohm            |

### Disc

|                           |                                    |
|---------------------------|------------------------------------|
| Laser Type                | Semiconductor                      |
| Disc Diameter             | 12cm/8cm                           |
| Support Disc              | CD-DA, CD-R, CD-RW, MP3-CD, WMA-CD |
| Audio DAC                 | 24Bits / 44.1kHz                   |
| Total Harmonic Distortion | <1%                                |
| Frequency Response        | 60Hz -16kHz (44.1kHz)              |
| S/N Ratio                 | >65dBA                             |

### Tuner

#### FM

|                           |                |
|---------------------------|----------------|
| Tuning Range              | 87.5 - 108 MHz |
| Tuning grid               | 100 KHz        |
| Sensitivity               |                |
| - Mono, 26dB S/N Ratio    | <22 dBu        |
| - Stereo, 46dB S/N Ratio  | <45 dBu        |
| Search Selectivity        | <28 dBu        |
| Total Harmonic Distortion | <3%            |
| Signal to Noise Ratio     | >45 dB         |

#### AM

|              |                |
|--------------|----------------|
| Tuning Range | 530 - 1700 kHz |
|--------------|----------------|

### Speakers

|                   |            |
|-------------------|------------|
| Speaker Impedance | 8 ohm      |
| Speaker Driver    | 3"         |
| Sensitivity       | >82 dB/m/W |



## General information

|                               |  |
|-------------------------------|--|
| AC power (power adaptor)      | Input: 100-240V~, 50/60Hz 1.5A MAX; Output: 18V === 2.5A; (Brand name: Philips; Model No.: OH-1048A1802500U-U) |
| Operation Power Consumption   | 16W  |
| Standby Power Consumption     | <4W  |
| Eco Standby Power Consumption | <1W  |
| USB Direct                    | Version 2.0/1.1  |
| Dimensions                    |  |
| - Main Unit (W x H x D)       | 390 x140.5 x 200.5mm   |
| Weight                        |  |
| - With Packing                | 4 kg   |
| - Main Unit                   | 3.32 kg  |

## USB playability information

### Compatible USB devices:

- USB flash memory (USB 2.0 or USB1.1)
- USB flash players (USB 2.0 or USB1.1)
- memory cards (requires an additional card reader to work with this DCM250)

### Supported formats:

- USB or memory file format FAT12, FAT16, FAT32 (sector size: 512 bytes)
- MP3 bit rate (data rate): 32-320 Kbps and variable bit rate
- WMA v9 or earlier
- Directory nesting up to a maximum of 8 levels
- Number of albums/ folders: maximum 99
- Number of tracks/titles: maximum 999

- ID3 tag v2.0 or later
- File name in Unicode UTF8 (maximum length: 128 bytes)

### Unsupported formats:

- Empty albums: an empty album is an album that does not contain MP3/ WMA files, and is not be shown in the display.
- Unsupported file formats are skipped. For example, Word documents (.doc) or MP3 files with extension .dlf are ignored and not played.
- AAC, WAV, PCM audio files
- DRM protected WMA files (.wav, .m4a, .m4p, .mp4, .aac)
- WMA files in Lossless format

## Supported MP3 disc formats

- ISO9660, Joliet
- Maximum title number: 512 (depending on file name length)
- Maximum album number: 255
- Supported sampling frequencies: 32 kHz, 44.1kHz, 48 kHz
- Supported Bit-rates: 32~256 (kbps), variable bit rates

---

## RDS program types

---

|          |                                 |
|----------|---------------------------------|
| NO TYPE  | No RDS programme type           |
| NEWS     | News services                   |
| AFFAIRS  | Politics and current affairs    |
| INFO     | Special information programs    |
| SPORT    | Sports                          |
| EDUCATE  | Education and advanced training |
| DRAMA    | Radio plays and literature      |
| CULTURE  | Culture, religion and society   |
| SCIENCE  | Science                         |
| VARIED   | Entertainment programs          |
| POP M    | Pop music                       |
| ROCK M   | Rock music                      |
| MOR M    | Light music                     |
| LIGHT M  | Light classical music           |
| CLASSICS | Classical music                 |
| OTHER M  | Special music programs          |
| WEATHER  | Weather                         |
| FINANCE  | Finance                         |
| CHILDREN | Children's programs             |
| SOCIAL   | Social Affairs                  |
| RELIGION | Religion                        |
| PHONE IN | Phone In                        |
| TRAVEL   | Travel                          |
| LEISURE  | Leisure                         |
| JAZZ     | Jazz Music                      |
| COUNTRY  | Country Music                   |
| NATION M | National Music                  |
| OLDIES   | Oldies Music                    |
| FOLK M   | Folk Music                      |
| DOCUMENT | Documentary                     |
| TES      | Alarm Test                      |
| ALARM    | Alarm                           |

# 12 Troubleshooting



## Warning

- Never remove the casing of this apparatus.

To keep the warranty valid, never try to repair the system yourself.

If you encounter problems when using this apparatus, check the following points before requesting service. If the problem remains unsolved, go to the Philips web site ([www.philips.com/welcome](http://www.philips.com/welcome)). When you contact Philips, ensure that the apparatus is nearby and the model number and serial number are available.

### No power

- Ensure that the AC power plug of the unit is connected properly.
- Ensure that there is power at the AC outlet.
- To save power, the system switches off automatically 15 minutes after track play reaches the end and no control is operated.

### No sound or poor sound

- Adjust the volume.
- Disconnect the headphones.

### No response from the DCM250

- Disconnect and reconnect the AC power plug, then turn on the system again.

### Remote control does not work

- Before pressing any function button, first select the correct source with the remote control instead of the main unit.
- Reduce the distance between the remote control and the DCM250.
- Insert the battery with its polarities (+/- signs) aligned as indicated.
- Replace the battery.
- Aim the remote control directly at the sensor on the front of the DCM250.

### No disc detected

- Insert a disc.
- Check if the disc is inserted upside down.

- Wait until the moisture condensation at the lens has cleared.
- Replace or clean the disc.
- Use a finalized CD or correct format disc.

### Cannot display some files in USB device

- The number of folders or files in the USB device has exceeded a certain limit. This phenomenon is not a malfunction.
- The formats of these files are not supported.

### USB device not supported

- The USB device is incompatible with the DCM250. Try another one.

### Poor radio reception

- Increase the distance between the DCM250 and your TV or VCR.
- Fully extend the FM antenna.

### Timer does not work

- Set the clock correctly.
- Switch on the timer.

### Clock/timer setting erased

- Power has been interrupted or the power cord has been disconnected.
- Reset the clock/timer.

Philips Consumer Lifestyle  
A division of Philips Electronics North America Corporation  
P.O. Box 10313  
Stamford, CT 06904  
Phone: 1-888-PHILIPS (744-5477)

Meet Philips at the Internet  
<http://www.philips.com/welcome>



© 2012 Koninklijke Philips Electronics N.V.  
All rights reserved.  
DCM250\_UM\_37\_V4.0



## Free Manuals Download Website

<http://myh66.com>

<http://usermanuals.us>

<http://www.somanuals.com>

<http://www.4manuals.cc>

<http://www.manual-lib.com>

<http://www.404manual.com>

<http://www.luxmanual.com>

<http://aubethermostatmanual.com>

Golf course search by state

<http://golfingnear.com>

Email search by domain

<http://emailbydomain.com>

Auto manuals search

<http://auto.somanuals.com>

TV manuals search

<http://tv.somanuals.com>