

Always there to help you

Register your product and get support at
www.philips.com/welcome



DS7880/37



User manual

PHILIPS

Contents

1	Important	3
	Safety	3
	Notice	4

2	Your Docking Speaker	6
	Introduction	6
	What's in the box	6
	Overview of the main unit	6

3	Get started	7
	Prepare the docking speaker	7
	Connect power	7
	Turn on	7

4	Play	8
	Play from iPod/iPhone	8
	Play from Bluetooth device	8
	Play from an external device	9
	Adjust volume level	9

5	Product information	9
	Specifications	9

6	Troubleshooting	10
----------	------------------------	-----------

1 Important

Safety

Important Safety Instructions

- ① Read these instructions.
- ② Keep these instructions.
- ③ Heed all warnings.
- ④ Follow all instructions.
- ⑤ Do not use this apparatus near water.
- ⑥ Clean only with dry cloth.
- ⑦ Do not block any ventilation openings. Install in accordance with the manufacturer's instructions.
- ⑧ Do not install near any heat sources such as radiators, heat registers, stoves, or other apparatus (including amplifiers) that produce heat.
- ⑨ Protect the power cord from being walked on or pinched, particularly at plugs, convenience receptacles, and the point where they exit from the apparatus.
- ⑩ Only use attachments/accessories specified by the manufacturer.
- ⑪ Unplug this apparatus during lightning storms or when unused for long periods of time.
- ⑫ Refer all servicing to qualified service personnel. Servicing is required when the apparatus has been damaged in any way, such as power-supply cord or plug is damaged, liquid has been spilled or objects have fallen into the apparatus, the apparatus has been exposed to rain or moisture, does not operate normally, or has been dropped.
- ⑬ **Battery usage CAUTION** – To prevent battery leakage which may result in bodily injury, property damage, or damage to the unit:
 - Install all batteries correctly, + and - as marked on the unit.
 - Do not mix batteries (old and new or carbon and alkaline, etc.).
 - Remove batteries when the unit is not used for a long time.
 - Batteries (battery pack or batteries installed) shall not be exposed to excessive heat such as sunshine, fire or the like.
- ⑭ Apparatus shall not be exposed to dripping or splashing.
- ⑮ Do not place any sources of danger on the apparatus (e.g. liquid filled objects, lighted candles).
- ⑯ This product may contain lead and mercury. Disposal of these materials may be regulated due to environmental considerations. For disposal or recycling information, please contact your local authorities or the Electronic Industries Alliance: www.eiae.org.
- ⑰ Where the plug of the Direct Plug-in Adapter is used as the disconnect device, the disconnect device shall remain readily operable.
- ⑱ Only use power supplies listed in the user manual.



Warning

- Never remove the casing of this apparatus.
- Never lubricate any part of this apparatus.
- Never place this apparatus on other electrical equipment.
- Keep this apparatus away from direct sunlight, naked flames or heat.
- Ensure that you always have easy access to the power cord, plug or adaptor to disconnect this apparatus from the power.

Notice

Any changes or modifications made to this device that are not expressly approved by WOOX Innovations may void the user's authority to operate the equipment.

Notice for the USA

This equipment has been tested and found to comply with the limits for a Class B digital device, pursuant to part 15 of the FCC Rules and ICES-003 of Industry Canada . These limits

are designed to provide reasonable protection against harmful interference in a residential installation. This equipment generates, uses, and can radiate radio frequency energy and, if not installed and used in accordance with the instruction manual, may cause harmful interference to radio communications.

However, there is no guarantee that interference will not occur in a particular installation. If this equipment does cause harmful interference to radio or television reception, which can be determined by turning the equipment off and on, the user is encouraged to try to correct the interference by one or more of the following measures:

- Relocate the receiving antenna.
- Increase the separation between equipment and receiver.
- Connect the equipment into an outlet on a circuit different from that to which the receiver is connected.

- Consult the dealer or an experienced radio/TV technician for help.

This device complies with Part 15 of the FCC Rules and RSS standard of Industry Canada.

Operation is subject to the following two conditions:

- 1** this device may not cause harmful interference, and
- 2** this device must accept any interference received, including interference that may cause undesired operation.

RF Radiation Exposure Statement: This equipment complies with FCC's and IC's RF radiation exposure limits set forth for an uncontrolled environment. The antenna(s) used for this transmitter must be installed and operated to provide a separation distance of at least 20 cm from all persons and must not be collocated or operating in conjunction with any other antenna or transmitter. Installers must ensure that 20cm separation distance will be maintained between the device (excluding its handset) and users.

Notice for Canada

This Class B digital apparatus complies with Canadian ICES-003.

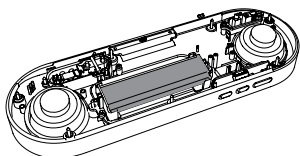
This device complies with Industry Canada licence-exempt RSS standard(s): Operation is subject to the following Two conditions:(1) this device may not cause interference, and (2) this device must accept any interference, including interference that may cause undesired operation of the device.

Disposal of your old product

Your product is designed and manufactured with high quality materials and components, which can be recycled and reused.

Never dispose of your product with other household waste. Please inform yourself about the local rules on the separate collection of electrical and electronic products and batteries. The correct disposal of these products helps

prevent potentially negative consequences on the environment and human health. Please visit www.recycle.philips.com for additional information on a recycling center in your area. Always bring your product to a professional to remove the built-in battery.



Environmental information

All unnecessary packaging has been omitted. We have tried to make the packaging easy to separate into three materials: cardboard (box), polystyrene foam (buffer) and polyethylene (bags, protective foam sheet.) Your system consists of materials which can be recycled and reused if disassembled by a specialized company. Please observe the local regulations regarding the disposal of packaging materials, exhausted batteries and old equipment.



The making of unauthorized copies of copy-protected material, including computer programs, files, broadcasts and sound recordings, may be an infringement of copyrights and constitute a criminal offence. This equipment should not be used for such purposes.



“Made for iPod” and “Made for iPhone” mean that an electronic accessory has been designed to connect specifically to iPod or iPhone respectively, and has been certified by the developer to meet Apple performance standards. Apple is not responsible for the operation of this device or its compliance with safety and regulatory standards. Please note that

the use of this accessory with iPod or iPhone may affect wireless performance. iPod and iPhone are trademarks of Apple Inc., registered in the U.S. and other countries.

Note

- The type plate is located on the bottom of the apparatus.

2 Your Docking Speaker

Congratulations on your purchase, and welcome to Philips! To fully benefit from the support that Philips offers, register your product at www.philips.com/welcome.

If you contact Philips, you will be asked for the model and serial number of this apparatus. The model number and serial number are on the bottom of the apparatus. Write the numbers here:

Model No. _____

Serial No. _____

Introduction

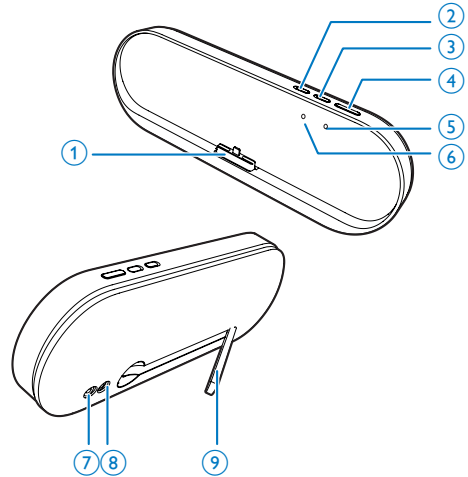
With this docking speaker, you can enjoy audio from the iPod/iPhone, Bluetooth-enabled devices, and other external audio devices.

What's in the box

Check and identify the contents of your package:

- Main unit
- 1 x AC adaptor
- Short user manual

Overview of the main unit



- ① iPod/iPhone dock
- ② Turn on/off the unit.
- ③ Select Bluetooth source.
- ④ **VOLUME**
 - Adjust volume.
- ⑤ **Bluetooth indicator**
- ⑥ **Power indicator**
- ⑦ **10V DC**
 - Power supply socket.
- ⑧ **AUDIO IN**
 - Connect an external audio device.
- ⑨ **Stand**

3 Get started

! Caution

- Use of controls or adjustments or performance of procedures other than herein may result in hazardous radiation exposure or other unsafe operation.

Always follow the instructions in this chapter in sequence.

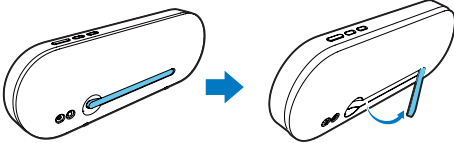
If you contact Philips, you will be asked for the model and serial number of this apparatus. The model number and serial number are on the bottom of the apparatus. Write the numbers here:

Model No. _____

Serial No. _____

Prepare the docking speaker

Pull the stand upwards from the unfixend end.



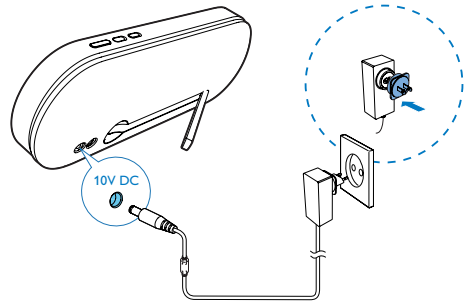
Connect power

! Caution

- Risk of product damage! Make sure that the power supply voltage corresponds to the voltage printed on the back of the unit.
- Risk of electric shock! When you unplug the AC adaptor; always pull the plug from the socket. Never pull the cord.
- Before connecting the AC adaptor; Make sure that you have completed all other connections.

Connect the AC power adaptor to:

- the power supply socket on the back of the docking speaker.
- the wall power outlet.



Built-in Battery

The docking speaker can also operate on built-in rechargeable battery.

- ↳ The speaker mute when the battery level is low.

Battery power	LED indicator
Low	Flashing fast
Medium	Flashing slowly
Full	Steadily on

To recharge the built-in battery:

- Connect the unit to the power supply.

≡ Note

- Use only the supplied AC adapter to charge the battery.

Turn on

Slide **⓪** on the docking speaker to the ON position.

- ↳ The power indicator turns on.

The speaker turns to standby mode when there is no audio detected for over 15 minutes.

4 Play

Play from iPod/iPhone

You can enjoy audio from iPod/iPhone through this docking speaker.

Compatible iPod/iPhone

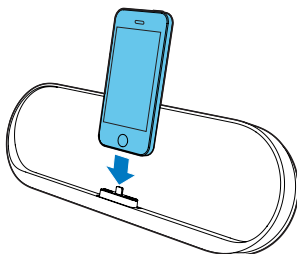
The docking speaker supports the following iPod/iPhone models.

Made for :

- iPhone 5
- iPod nano (7th generation)
- iPod touch (5th generation)

Load the iPod/iPhone

Insert your iPod/iPhone into the dock.



To remove the iPod/iPhone

- Pull your iPod/iPhone out of the dock.

Listen to the iPod/iPhone

Note

- Make sure that the iPod/iPhone is loaded correctly.
 - Make sure that you deactivate bluetooth connection by sliding **⏻** to the **OFF** position.
- Start music play in your iPod/iPhone.
 - ↳ You can hear music from this docking speaker.

Charge the iPod/iPhone

When the docking speaker is connected to wall power outlet, the docked iPod/iPhone begins to charge.

Tip

- You can also charge your iPod/iPhone through the built-in battery.

Play from Bluetooth device

Note

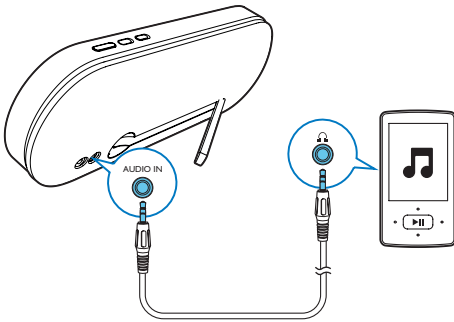
- The effective operation range between the docking system and the paired device is approximately 10 meters (30 feet).
- Keep this docking speaker away from other electronic devices that may cause interference.

- 1 Slide **⏻** to select Bluetooth source.
 - ↳ The Bluetooth indicator blinks.
- 2 Activate the Bluetooth function in your Bluetooth device (see the device user manual).
- 3 Select **"PHILIPS DS7880"** displayed on your device for pairing.
 - ↳ If connection is successful, the docking speaker beeps twice, and the Bluetooth indicator stops flashing.
 - For some devices, you need to input "0000" as pairing password.
- 4 Start music play on your Bluetooth device.

Play from an external device

You can also listen to an external audio device through this docking speaker:

- 1 Connect the MP3 link cable (not supplied) to:
 - the audio in socket (3.5mm) on the back of the unit.
 - the headphone jack on an external device.
- 2 Start to play on the device (see the device user manual).



Adjust volume level

- During play, press **VOL +/-** to increase or decrease the volume level.

5 Product information

Note

- Product information is subject to change without prior notice.

Specifications

Amplifier

Rated Output Power	2X5 W RMS
Signal to Noise Ratio	75 dB
Audio in	0.6 V RMS 22 kohm

Bluetooth

Bluetooth version	V2.1+ EDR
Frequency band	2.402-2.480 GHzISM Band
Rang	10m (free space)

General information

AC power (power adaptor)	GFP241DA-1024B-1 Input: 100-240V~, 50/60Hz, 0.55A; Output: 10V == 2.4A;
Operation Power Consumption	10W
Dimensions - Main Unit (W x H x D)	310 x 105 x 41mm
Weight - Main Unit	0.65 kg

6 Troubleshooting



Warning

- Never remove the casing of this apparatus.

To keep the warranty valid, never try to repair the system yourself.

If you encounter problems when using this apparatus, check the following points before requesting service. If the problem remains unsolved, go to the Philips web site (www.philips.com/welcome). When you contact Philips, ensure that the apparatus is nearby and the model number and serial number are available.

No power

- Make sure that the docking speaker is fully charged.
- Make sure that the AC power plug of the unit is connected properly.
- Make sure that there is power at the AC outlet.

No sound

- Adjust volume on your mobile phone or PC/Mac.
- Make sure that your Bluetooth mobile phone is within the effective operation range.
- Check if you have selected the correct audio source.

No response from the unit

- Disconnect and reconnect the AC power plug, then turn on the docking speaker again.



Specifications are subject to change without notice

2014 © WOOX Innovations Limited.

All rights reserved.

This product was brought to the market by WOOX Innovations Limited or one of its affiliates, further referred to in this document as WOOX Innovations, and is the manufacturer of the product. P&F is the warrantor in relation to the product with which this booklet was packaged. Philips and the Philips Shield Emblem are registered trademarks of Koninklijke Philips N.V.



Free Manuals Download Website

<http://myh66.com>

<http://usermanuals.us>

<http://www.somanuals.com>

<http://www.4manuals.cc>

<http://www.manual-lib.com>

<http://www.404manual.com>

<http://www.luxmanual.com>

<http://aubethermostatmanual.com>

Golf course search by state

<http://golfingnear.com>

Email search by domain

<http://emailbydomain.com>

Auto manuals search

<http://auto.somanuals.com>

TV manuals search

<http://tv.somanuals.com>