

quick start guide

Thank you for buying this Philips wearable digital audio player. To get started, follow the steps as shown.

1 Charge

Charge up your player (5 hours) before using it. Adjust the function switch on the player to **OFF/CHARGE**. Switch on your computer. Detach the USB cover and connect the player to your computer's USB port. (Windows 98 users, please install required drivers first*) While charging, the indicator on your player lights up green.



2 Download

Adjust the function switch to **PLAYBACK/ DOWNLOAD**. Connect the player to your computer's USB port. To transfer MP3 or WMA files from your computer to the player simply drag and drop in **Windows Explorer**. Alternatively use **MUSICMATCH Jukebox** to transfer your files. To install this program, insert the by-packed CD-ROM into your computer's CD-ROM drive. The installation menu is automatically launched for first-time application users.

3 Play

Make sure the function switch is in the **PLAYBACK/ DOWNLOAD** position. To listen to your music, connect the remote control & headphones to your player and press **▶||**.

2 seconds

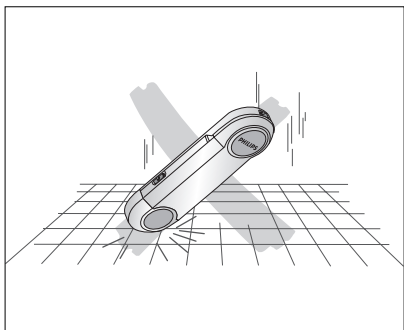
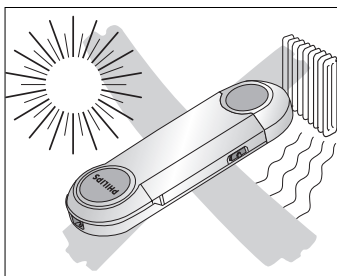


Find more information on the by-packed CD-ROM or visit

www.philips.com/support

***CAUTION! WINDOWS 98 USERS:**

To avoid problems with playback, do not connect the player to the USB port until after you complete step 2, Dowland.



Free Manuals Download Website

<http://myh66.com>

<http://usermanuals.us>

<http://www.somanuals.com>

<http://www.4manuals.cc>

<http://www.manual-lib.com>

<http://www.404manual.com>

<http://www.luxmanual.com>

<http://aubethermostatmanual.com>

Golf course search by state

<http://golfingnear.com>

Email search by domain

<http://emailbydomain.com>

Auto manuals search

<http://auto.somanuals.com>

TV manuals search

<http://tv.somanuals.com>