



# Philips Lifeline CarePartner Communicator

6900/6800/AT Series Units  
User's Manual

**PHILIPS**  
Lifeline

**PHILIPS**

# Important Phone Numbers

## List of My “Responders” and “People to Notify”:

“Responders” are people you know whom Lifeline will call to come to your assistance in case of an emergency. “People to Notify” are people who will be notified that you required help but who are not involved in coming to your assistance.

Please see pages 32-33 for more information.

Name	Phone Number(s)	Do They Have a Key?
_____	_____	<input type="checkbox"/>
_____	_____	<input type="checkbox"/>
_____	_____	<input type="checkbox"/>
_____	_____	<input type="checkbox"/>
_____	_____	<input type="checkbox"/>
_____	_____	<input type="checkbox"/>
_____	_____	<input type="checkbox"/>
_____	_____	<input type="checkbox"/>
_____	_____	<input type="checkbox"/>

# Contents

<b>Your Philips Lifeline Service .....</b>	<b>5</b>
Welcome to Philips Lifeline .....	6
Setting Up Your Lifeline Service.....	6
Calling for Help .....	6
Hands-Free Telephone Answering.....	8
Equipment Service.....	8
Frequently Asked Questions .....	9

## **Your Philips Lifeline Communicator .....** 13



Features .....	14
Safety Information .....	16
Cleaning Your Communicator .....	17
Communicator Battery .....	17
Frequently Asked Questions.....	18

## **Your Personal Help Button.....** 21



About Your Personal Help Button.....	22
Adjusting Your Help Button Cord and Strap.....	24
Using the Wrist Strap .....	25
Cleaning Your Personal Help Button.....	26
Setting Up a New Personal Help Button .....	27
Frequently Asked Questions.....	28

Your Contact Information..... 31



What Is a “Responder”?..... 32

Choosing a Responder..... 32

Who Are “People to Notify”?..... 33

Troubleshooting..... 35



What the Communicator Lights Indicate..... 36

How to Respond to Announcements..... 37

Regulatory Compliance ..... 39



FCC and Canadian ACTA Regulations ..... 40

Requirements for the United States ..... 40

Requirements for Canada..... 45

## Your Philips Lifeline Service

Topics described in this chapter include:

Welcome to Philips Lifeline.....	6
Setting Up Your Lifeline Service .....	6
Calling for Help.....	6
Hands-Free Telephone Answering.....	8
Equipment Service.....	8
Frequently Asked Questions.....	9

# Welcome to Philips Lifeline

This section discusses everything you will need to know about using your Lifeline Service.

## Setting Up Your Lifeline Service

Your Lifeline Communicator must be properly set up, and the coverage range of your Personal Help Button must be determined for your Lifeline Service. Please see the Quick Setup Guide included in the box for instructions on how to set up your system and test the coverage range of your Personal Help Button. If you have any questions, please contact Philips Lifeline.

## Calling for Help

Press the Personal Help Button that you wear or the red Help Button on the side of your Lifeline Communicator. The Lifeline Communicator beeps and dials the Lifeline Response Center.

### **1. The Communicator calls the Response Center.**

When it dials the Response Center, the Communicator will repeatedly say: “Your Help Call is in progress; please wait.” Once it connects with the Response Center, it will say: “Your call has been connected; someone will be right with you.”

### **2. The Response Center will answer the call.**

A Lifeline Personal Response Associate will speak to you through the Communicator’s built-in speaker. The Lifeline Personal Response Associate will hear you through the Communicator’s highly sensitive microphone.

**Note:** If you cannot speak or be heard, the Personal Response Associate will try calling you back on your telephone. If you cannot answer the phone or if the Personal Response Associate cannot hear you, Lifeline will send help to your home.

**3. The Response Center will assess the situation.**

The Personal Response Associate will assess the type of response that is needed, determining whether to send someone from your list of Responders or dispatch an emergency service to your home.

**4. Lifeline will send help.**

As needed, Lifeline will contact either emergency services or Responders from your list until they reach someone who is available to help you. If Lifeline cannot reach any of the Responders you've listed, they will dispatch emergency services to your home.

**5. At your request, Lifeline will remain on the line with you until help arrives.**

**6. Once your Responder or the emergency service arrives, they will press the flashing Reset Bar to tell Lifeline that help has arrived.**

The Personal Response Associate will contact the household to see if additional assistance is needed.

**7. Once help is provided, Lifeline will contact the "People to Notify" you've designated, letting them know you needed help.**

## Hands-Free Telephone Answering

Your Communicator has a feature that allows you to answer routine telephone calls by simply pressing your Personal Help Button while the telephone is ringing.

1. When the telephone rings, wait for it to ring at least two times, and then press your Personal Help Button to answer the call.
2. Speak in the direction of your Lifeline Communicator.
3. When you have finished your conversation, press your Personal Help Button again to end the call, or let the other party hang up. The Communicator will beep.

## Equipment Service

Every Communicator and Personal Help Button is manufactured to high quality standards. Philips Lifeline equipment can only be factory-serviced by Philips Lifeline. For information on obtaining service or repairs, call Philips Lifeline.



## Frequently Asked Questions

### **What happens if I send a Help Call and the Response Center can't hear me?**

The Lifeline Personal Response Associate will probably be able to hear you through the highly sensitive microphone. However, if you cannot speak or be heard, Lifeline will call your home phone. If no one answers and you still cannot be contacted, help will automatically be sent.

### **What if I move to a different home or apartment?**

We can transfer your service to your new or second home. Just give Lifeline a few weeks' notice to make the change. To arrange this, call Philips Lifeline.

### **What if I spend part of the year in another home?**

We can transfer your service for the time you are at your other home. Just give Lifeline a few weeks' notice to make the change. To arrange this, call Philips Lifeline.

### **Can Lifeline be used if I have DSL Internet service on the same telephone line?**

Yes, but a DSL filter must be installed on the phone line. Contact your phone company to obtain a DSL filter or purchase one from a local electronics store (e.g., Radio Shack).

### **Can Lifeline be used with digital or Internet-based (VoIP) phone service?**

Lifeline can be used on either traditional or VoIP-based phone service. But please be prudent with the provider you choose. There are differences in the quality of service from different providers, and not all providers are required to uphold the regulated standards of service. If there are service interruptions on your phone service, you may not be able to place a Help Call to Lifeline.

### **Can two people in the same household both have the Lifeline Service?**

Yes. To get more information regarding this, please contact Philips Lifeline.





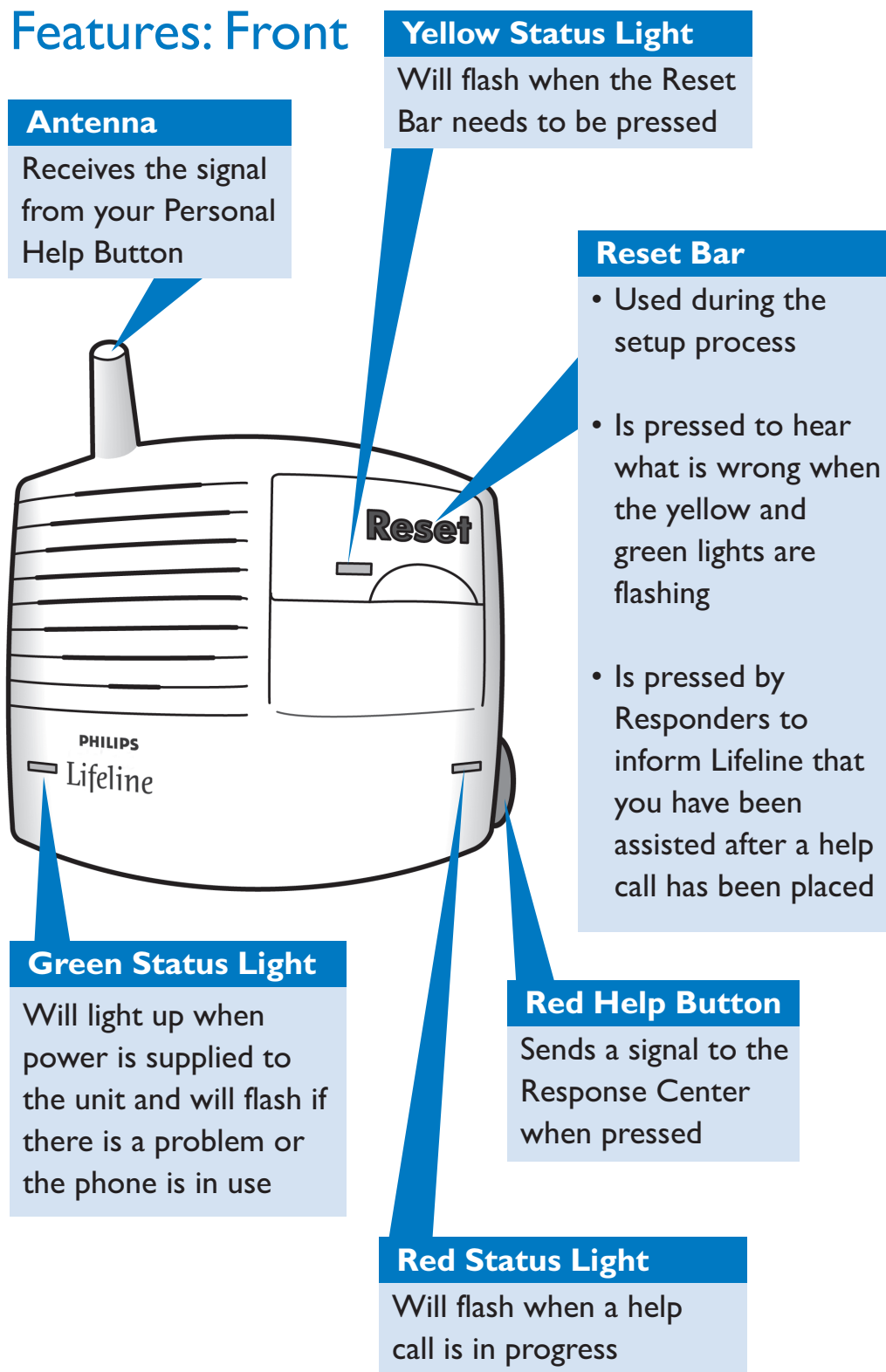


## Your Philips Lifeline Communicator

Topics described in this chapter include:

Features .....	14
Safety Information .....	16
Cleaning Your Communicator .....	17
Communicator Battery .....	17
Frequently Asked Questions.....	18

## Features: Front



**See the Troubleshooting Guide on page 37 for more information about what to do if the lights are flashing.**

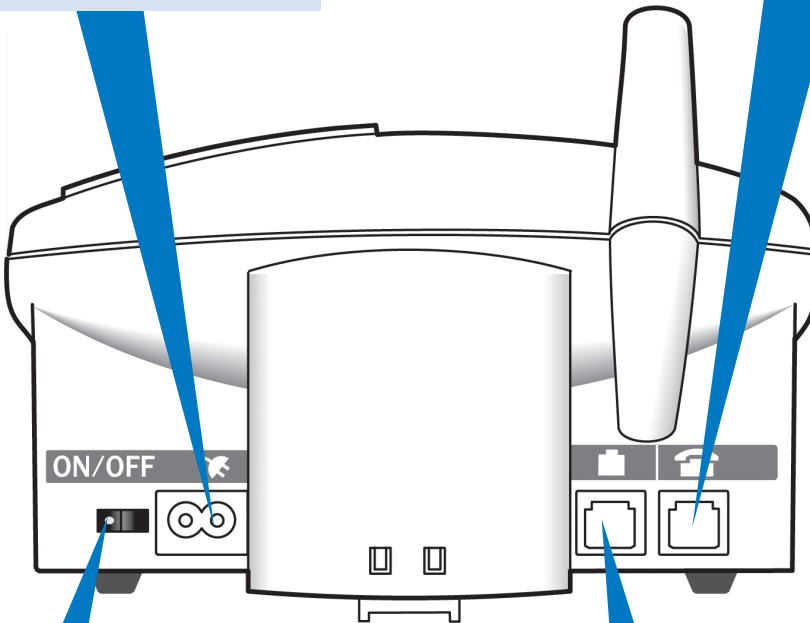
# Features: Back

## Power Connector

Connects the Communicator to the wall and provides power

## Purple Phone Cord Jack

Connects your own phone to your Communicator (optional)



## Power Switch

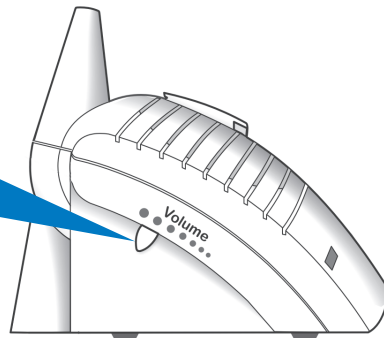
Must be on at all times for your Lifeline service to work

## Telephone Connector

Connects your Communicator to your household phone jack

## Volume Control

Controls the volume level of the Lifeline Associate and the voice prompts



## Safety Information

1. The Communicator must be placed in an indoor living area.
2. If any phones are left off the hook, there will not be a dial tone and the Communicator will not be able to place a Help Call. This problem can be addressed by plugging the Communicator phone cord into an RJ31X/CA38A type jack, which your phone company may be able to assist you with.
3. Care should be taken to not block the microphone hole on the bottom of the unit when selecting the installation location. (For example, do not place it on a tablecloth.)
4. Make sure you do not plug your Communicator into an electrical outlet that is controlled by a wall switch, because someone could accidentally turn off the wall switch and shut off the power to your Communicator.
5. Make sure your Communicator is away from any clutter or any object that might block its ability to receive a signal from the Personal Help Button. The Communicator should not be placed on or near your refrigerator or any type of metal cabinet or bookcase, since this may limit the effective range of the Personal Help Button.
6. This product cannot be used on party lines.
7. To reduce the risk of electrical shock or fire, do not place the Communicator in or near water or other liquids.
8. Do not abuse the cords. Never carry the Communicator by the cord or yank the cord to disconnect it from an electrical outlet. Instead, grasp the plug and pull to disconnect.



## Cleaning Your Communicator

Keep the Communicator free of dust by wiping it with a soft cotton cloth. If additional cleaning is required, follow the steps below:

1. Turn the POWER switch OFF, and unplug the power cord from the electrical outlet. Unplug the telephone cord from the wall jack. **Note:** You cannot use your Lifeline Service to call for help while the Communicator is turned off or the telephone cord is disconnected. Accordingly, you may wish to have a family member or caregiver present while you are cleaning your Communicator.
2. Slightly dampen a soft cloth with a mild all-purpose cleaner and gently wipe surfaces clean. Do not use detergent or abrasive cleaners on your Communicator.
3. Reconnect the power cord to the electrical outlet, reconnect the telephone cord to the wall jack, and then turn the POWER switch back ON.
4. Test your system by pressing your Personal Help Button and speaking through the Communicator with the Response Center.

**Caution:** Do not use spray cleaners directly on your Communicator. Excessive moisture could get inside the unit and cause damage.

## Communicator Battery

Your Communicator uses a factory-installed battery located in the battery compartment beneath the unit. This battery will provide up to 30 hours of backup should you lose power. Lifeline will notify you if this battery needs to be replaced.

## Frequently Asked Questions

### **How can I be sure my Lifeline Communicator is working?**

The Communicator is working properly if the green status light on it is showing a steady green. If the green and yellow lights are flashing, press the Reset Bar to hear what is wrong.

### **How far away from the Communicator will the Personal Help Button work?**

You can be in another room or on a different floor of your home, but the range varies from home to home. When you set up your Communicator, you should test your button's signal range to determine if it works outside on your porch, in your garden, or elsewhere around the house. The unit will not work in the car, at the grocery store, or away from your home. See the Quick Setup Guide for instructions.

### **Why do I need to place the Communicator on a hard surface?**

It is important to place the Communicator on a hard surface because the microphone that is used to hear your voice is located on the bottom of the unit, and a hard surface is required to provide its excellent voice coverage.

### **Do I need to change the battery in the Communicator?**

No. Lifeline will take care of the battery being replaced. If you have any questions, please contact Philips Lifeline.

**What is the difference between the red Help Button on the Communicator and the Personal Help Button around my neck or on my wrist?**

They both function in the same way, placing calls to our Response Center when pressed. But the button around your neck (or on your wrist) is always with you, so it is more convenient to use since you are not always near your Lifeline Communicator.





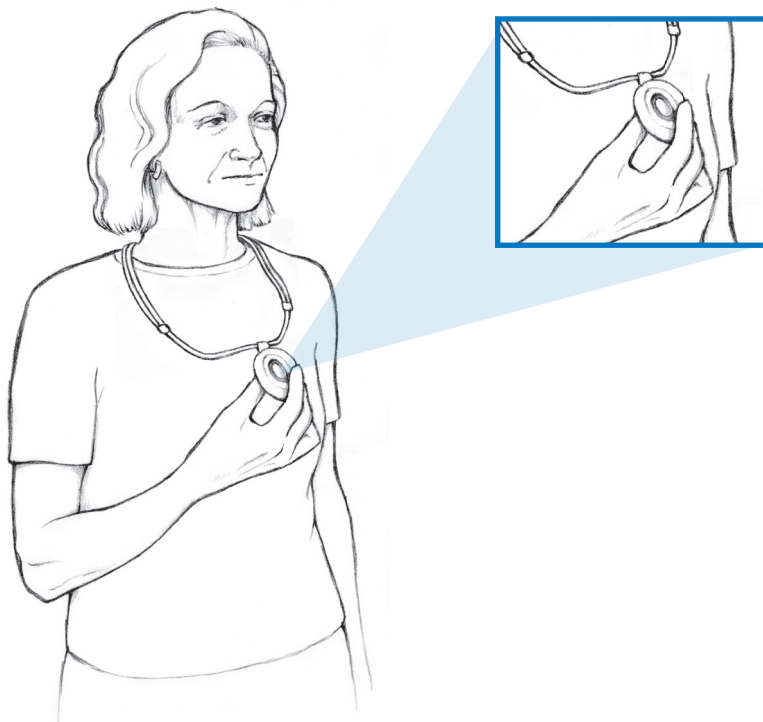
## Your Personal Help Button

Topics described in this chapter include:

About Your Personal Help Button.....	22
Adjusting Your Help Button Cord and Strap.....	24
Using the Wrist Strap .....	25
Cleaning Your Personal Help Button.....	26
Setting Up a New Personal Help Button .....	27
Frequently Asked Questions.....	28

## About Your Personal Help Button

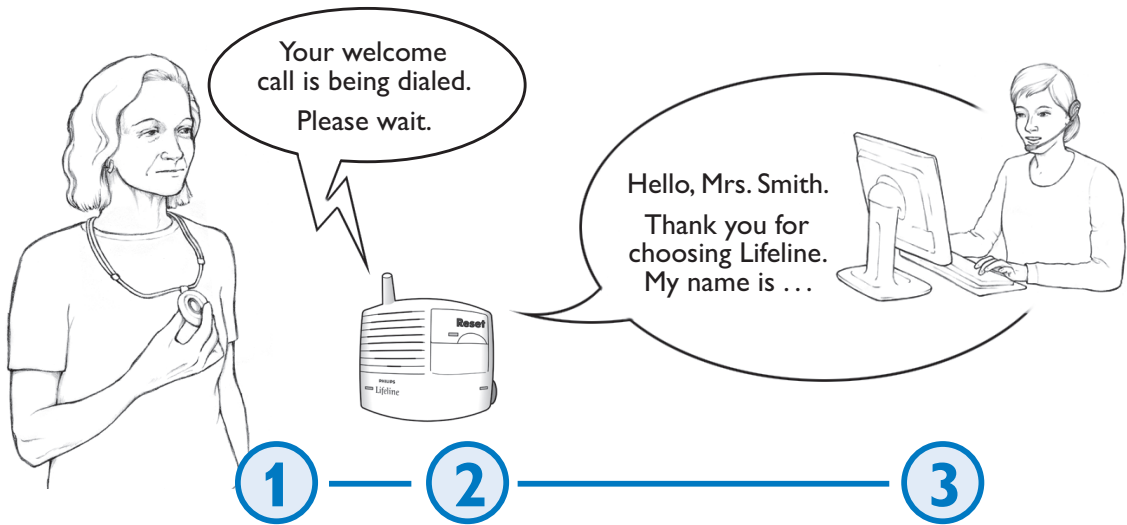
Your Lifeline Communicator allows you to summon assistance 24 hours a day by simply pressing your waterproof Personal Help Button.



When you press your Personal Help Button, it transmits a signal to your Lifeline Communicator. The Communicator then calls the Lifeline Response Center for you.

### Important Reminders

1. Wear your Personal Help Button in your home at all times, especially while sleeping and bathing. The bathroom is often a place where people fall and need help.
2. Your Personal Help Button is waterproof and dustproof, and it should be worn in the shower or bath.
3. Your Personal Help Button is not a microphone, so you don't talk into it. Instead, you press the Personal Help Button and your Communicator hears your voice.



- 4.** You may order additional Personal Help Buttons for other members of your household. Contact Philips Lifeline.
- 5.** Be sure to test the range of your Personal Help Button when you set up the system. See the Quick Setup Guide for instructions.
- 6.** Do not remove the label on the back of the Personal Help Button. The label ensures that your Personal Help Button remains waterproof. If the label is removed, peeling off, or damaged in any way, please contact Philips Lifeline.
- 7.** Do not put your Personal Help Button through the clothes washer or dryer.
- 8.** Your Personal Help Button can only be serviced in the factory. There are no user-replaceable parts inside the Personal Help Button.

## Adjusting Your Personal Help Button Neck Cord and Strap



### To shorten:

With a tab between your first finger and thumb of each hand, slide both tabs apart in line with your shoulders.



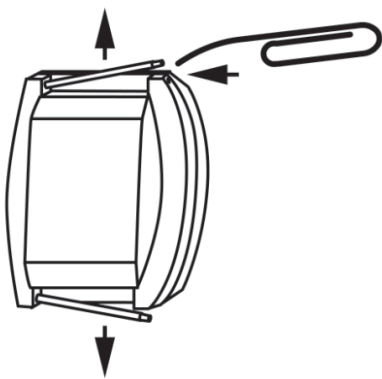
### To lengthen:

Pull one strand of the neck cord while sliding the tab to the back. Repeat on the other side.



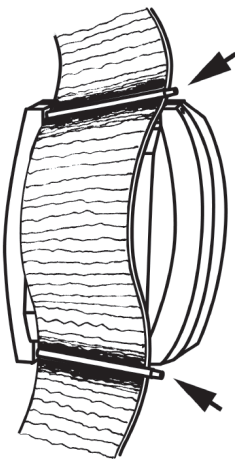
## Using the Wrist Strap

Call Philips Lifeline if you prefer a wrist strap and need one sent to you.



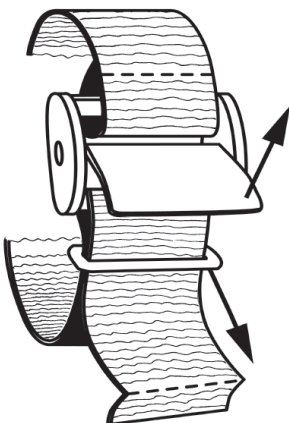
### To attach:

1. Move the POWER switch on the back of the Lifeline Communicator to the OFF position before attaching the wrist strap.
2. Remove the watch pins at each end of the button by inserting a small paper clip or similar tool into the holes located on both outside edges.
3. Position the wrist strap over the back of the button.
4. Insert the watch pins over the wrist strap into the pin holes.
5. Be sure to move the POWER switch on the back of the Lifeline Communicator to the ON position.



### To adjust:

1. Lift the fastener to loosen the wrist strap.
2. Adjust the wrist strap to the desired length and close the fastener. The wrist strap will slide easily on and off the wrist, with no further adjustment needed.



## Cleaning Your Personal Help Button

Your Personal Help Button is completely waterproof, so you can submerge it in warm water for easy cleaning.

1. Turn the POWER switch on the back of your Communicator to the OFF position. This ensures that a false Help Call won't be sent while you are cleaning your Personal Help Button.  
**Note:** You cannot use your Lifeline Service to call for help while the Communicator is turned off. Accordingly, you may wish to have a family member or caregiver present while you are cleaning your Personal Help Button.
2. Wash your wrist strap or adjustable neck cord with a mild liquid dishwashing detergent.
3. The Personal Help Button should be wiped down with isopropyl (rubbing) alcohol. Do not soak it in the alcohol, however.
4. Blot excess moisture with a towel and allow the device to air-dry.
5. Turn the POWER switch on the back of your Communicator to the ON position.
6. Test your system by pressing your Personal Help Button and speaking through your Philips Lifeline Communicator with the Lifeline Personal Response Associate.

## Setting Up a New Personal Help Button

If you receive a new Personal Help Button from Lifeline, you may need to set it up to work with your Lifeline Communicator. If so, please complete the following steps:

1. With the POWER switch on the back of your Communicator in the **ON** position, and the new Personal Help Button in hand, **PRESS DOWN** and **HOLD DOWN** the Reset Bar. The Communicator will announce: ***“Start Test.”***
2. While still holding down the Reset Bar with one hand, **PRESS DOWN** and **HOLD DOWN** the button on the Personal Help Button until you hear a long beep and the Communicator announces: ***“Personal Help Button, code XXX, programmed.”*** This will indicate that the Communicator has learned the new button and is ready for use with it. Then release the Reset Bar, and **PRESS it DOWN** briefly. The Communicator will beep three times and then announce: ***“End Test. There is one Personal Help Button now programmed. Ready.”***
3. If you have two Personal Help Buttons in the home and are only replacing one of them, you will still need to set up both buttons when you are setting up the new button. Be sure to set up both buttons during the same setup process. If you have successfully set up two buttons, the ending message will be: ***“End Test. There are two Personal Help Buttons now programmed. Ready.”***

## Frequently Asked Questions

### **Can I wear my Personal Help Button in the shower or bath?**

Yes! The Personal Help Button is completely waterproof, and we ask that you wear it at all times whenever you are in your home. The bathroom is a high-risk area where people often slip and fall. But please note that the Personal Help Button cannot send a signal when it is fully submerged under water.

### **Can I wear my Personal Help Button in bed?**

Yes! We ask that you wear your Personal Help Button at all times whenever you are in your home. The button was designed to provide adequate protection against going off inadvertently, even if you roll over on it.

### **What if I accidentally press my Personal Help Button?**

If you accidentally press your Personal Help Button, a Lifeline Personal Response Associate will respond to your call to make sure that everything is okay. Just tell the Personal Response Associate that it was pressed accidentally and that you do not need assistance. Don't be concerned that you are bothering Lifeline; we just want to be sure that you are alright.

### **Do I use the Personal Help Button to speak with Lifeline?**

No, the button is not the microphone. You do not speak into it. Rather, the button sends a signal to the Communicator, and the Communicator calls Lifeline. You speak to the Lifeline Personal Response Associate through your Communicator unit.

### **What happens if I push my Personal Help Button and I can't get to the phone or Communicator?**

Stay where you are. Your Lifeline Communicator contains a highly sensitive microphone and a loud speaker. If you still can't hear it or answer the Lifeline Personal Response Associate, Lifeline will place a call to your home. If there is no answer, Lifeline will immediately send emergency services.

### **Does the Personal Help Button have a battery?**

Yes, each Personal Help Button has a battery that can only be replaced by Philips Lifeline in the factory. The Personal Help Button will automatically send a signal to Philips Lifeline when the battery needs to be replaced, and someone from Subscriber Services will contact you about the replacement.

### **What's the difference between the "Slimline" and "Classic" Help Buttons?**

The only difference between the Slimline™ and the Classic™ Personal Help Buttons is their appearance. They both function in the same way.

### **How can I get a Personal Help Button on a wrist strap?**

When you received your Philips Lifeline Medical Alert Service, you were probably given a neck cord, since that is the most popular way to wear the Personal Help Button. If you would like to order a wrist strap, contact Philips Lifeline.





## Your Contact Information

Topics described in this chapter include:

What Is a “Responder”?.....	32
Choosing a Responder.....	32
Who Are “People to Notify”?.....	33

## What Is a “Responder”?

As a Lifeline subscriber, you should have one or more people who have agreed to be “Responders.” These are people you know whom Lifeline will call in an emergency, when appropriate. Examples include: neighbors, friends, relatives, your current nursing aide, etc.

## Choosing a Responder

It is best to choose a Responder who:

- Has a key to your home or knows where one is located (perhaps in a key lockbox).
- Could come to help you at different times of the day or night.
- Lives or works within 10 minutes of where you live.

## Information Lifeline Needs About Responders

Please ensure that Philips Lifeline has the following information about each person acting as a Responder (also, record the information inside the front cover of this User’s Manual):

- Name
- Phone numbers—home, work and cell phone
- Whether or not the Responder has a key

**For any questions about selecting or being a Responder, please call Philips Lifeline.**



## Who Are “People to Notify”?

When you provide your personal information to Lifeline, you are asked which people you would like to have respond in the event of an incident. These are “Responders.” Typically, these are family, friends and neighbors who are nearby and could come to assist you.

Often, there are other people you would like to be contacted if you need assistance, but you would not expect them to be available to assist you. These could be family members in another state or healthcare professionals who are involved in your care. These people are referred to as “People to Notify.”





## Troubleshooting

The following chapter provides some simple troubleshooting tips.

**If you have any questions about your Philips Lifeline Communicator, Personal Help Button or other aspects of your Lifeline Service, please contact Philips Lifeline.**

## What the Communicator Lights Indicate

Green	Yellow	Red	What It Means
<b>OFF</b>	<b>OFF</b>	<b>OFF</b>	Unit does not have power or is switched off.
<b>ON</b>	<b>OFF</b>	<b>OFF</b>	Unit is ready for use.
<b>FLASH</b>	<b>FLASH</b>	<b>OFF</b>	Reset Bar should be pressed for an announcement.
<b>ON</b>	<b>OFF</b>	<b>FLASH</b> <i>During Help Call</i>	Help Call to Lifeline is in progress.
<b>ON</b>	<b>OFF</b>	<b>FLASH</b> <i>Continuously</i>	Personal Help Button or another device (e.g., smoke detector) has a low battery. Lifeline will contact you.

## How to Respond to Announcements

Announcement	What to Do
<b>“Personal Help Button, code #####, requires service.”</b>	The battery in the Personal Help Button (or another device) is low and needs to be replaced by Lifeline. Lifeline will contact you to arrange the replacement.
<b>“Your phone line is not connected. Please check the phone cord.”</b>	Check to confirm that the unit is plugged into an active phone jack.
<b>“A phone is off the hook. Please check other phones in your home.”</b>	Make sure that all phones in the home are hung up.
<b>“No power is detected. Please check the power cord.”</b>	Confirm that the power cord is plugged in and that the outlet is not controlled by a light switch.
<b>“Unit battery low.”</b>	Confirm that the power cord is plugged in and that the outlet is not controlled by a light switch. Lifeline will contact you.





## Regulatory Compliance

Topics described in this chapter include:

FCC and Canadian ACTA Regulations .....	40
Requirements for USA.....	40
Requirements for Canada.....	45

## FCC and Canadian ACTA Regulations

Your Communicator has been registered with the U.S. Federal Communications Commission (FCC) and the Canadian Administration Council for Terminal Attachments (ACTA), in accordance with Part 15 and Part 68.

### Requirements for the United States

#### Notice

The FCC requires that you connect your Communicator to the nationwide telephone network through a modular telephone jack (USOC RJ11C, RJ11W, RJ14 or RJ31X). This equipment may not be used with coin telephone lines or party lines. Contact the state public utility commission, public service commission or corporation commission for more information.

#### Notification for the Telephone Company

Upon request of your local telephone company, you are required to provide them with the following information:

1. The “Line” to which you will connect your Communicator (that is, your phone number); and
2. The Communicator’s FCC Registration Number and Ringer Equivalence Number (REN). Those numbers are on the bottom of your Communicator. The REN is used to determine how many devices may be connected to a telephone line.



Excessive RENs on a telephone line may result in the devices not ringing in response to an incoming call. In most, but not all, areas, the sum of RENs should not exceed five (5.0). To be certain of the number of devices that may be connected to a line, as determined by the total RENs, contact your local telephone company. For products approved after July 23, 2001, the REN for this product is part of the product identifier that has the format US:AAAEQ##TXXXX. The digits represented by ## are the REN without a decimal point (e.g., 03 is a REN of 0.3).

### Repair Information

If trouble is experienced with this equipment (6900/6800/6800AT Communicator), please contact Philips Lifeline for repair or warranty information. If the equipment is causing harm to the telephone network, the telephone company may request that you disconnect the equipment until the problem is resolved.

**Caution:** Changes or modifications not expressly approved by the party responsible for compliance could void the user's authority to operate the equipment.

### Rights of the Telephone Company

If this equipment (6900/6800/6800AT Communicator) causes harm to the telephone network, the telephone company will notify you in advance that temporary discontinuance of service may be required. But if advance notice isn't practical, the telephone company will notify the customer as soon as possible. Also, you will be advised of your right to file a complaint with the FCC if you believe it is necessary.

The telephone company may make changes in its facilities, equipment, operations or procedures that could affect the operation of the equipment. If this happens, the telephone company will provide advance notice in order for you to make necessary modifications to maintain uninterrupted service.

### **Interference Information: FCC Rules Part 15**

Your Communicator complies with Part 15 of the FCC Rules. Operation is subject to the following two conditions: (1) This device may not cause harmful interference; and (2) this device must accept any interference received, including interference that may cause undesired operation.

**NOTE:** Your Communicator has been tested and found to comply with the limits for a Class B digital device, pursuant to Part 15 of the FCC Rules. These limits are designed to provide reasonable protection against harmful interference in a residential installation. This equipment generates, uses and can radiate radio frequency energy and, if not installed and used in accordance with the instructions, may cause harmful interference to radio communications. However, there is no guarantee that interference will not occur in a particular installation. If this equipment does cause harmful interference to radio or television reception, which can be determined by turning the equipment off and on, the user is encouraged to try to correct the interference by one or more of the following measures:

- Move the Communicator away from your radio or television.
- Plug the Communicator into a different power outlet than your radio or television.

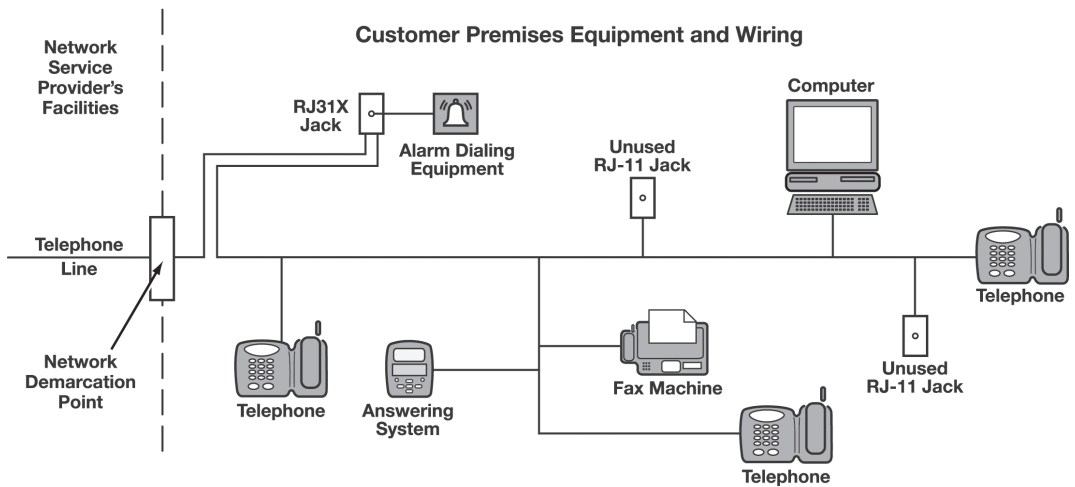
## ACTA (Administration Council for Terminal Attachments) Information

This equipment complies with Part 68 of the FCC rules and the requirements adopted by the ACTA. On the bottom of this equipment is a label that contains, among other information, a product identifier in the format US:AAAEQ###TXXXX. If requested, this number must be provided to the telephone company.

A plug and jack used to connect this equipment to the premises' wiring and telephone network must comply with the applicable FCC Part 68 rules and requirements adopted by the ACTA. A compliant telephone cord and modular plug is provided with this product. It is designed to be connected to a compatible modular jack that is also compliant. See installation instructions for details.

If your home has specially wired alarm equipment connected to the telephone line, ensure that the installation of the 6900/6800/6800AT Communicator does not disable your alarm equipment. If you have questions about what will disable alarm equipment, consult your telephone company or a qualified installer.

**Caution:** In order for “alarm dialing equipment” to be able to seize the phone line to report an alarm or other event when other customer equipment (telephone, answering system, computer modem, etc.) connected to the same line is in use, “alarm dialing equipment” must be connected to a properly installed RJ31X jack. The RJ31X jack must be connected in series with, and ahead of, all other equipment attached to the same phone line. Series installation of an RJ31X jack is depicted in the figure on the following page. If you have any questions concerning these instructions, you should consult your telephone company or a qualified installer about installing the necessary jack and alarm dialing equipment for you.



**Caution:** If the above diagram is not used, this equipment cannot report an alarm when other equipment (telephone, answering system, computer modem, etc.) connected to the same phone line is in use.

**Patent Information**

One or more of the following U.S. Patents may apply to this product: D277,465; 4,524,243; 4,760,593; 4,622,544; 4,908,602; 4,884,059; D313,363; D313,362; 4,064,368; 3,989,900; 5,091,930; 5,128,979. One or more of the following Canadian Patents may apply to this product: 1,274,930; 1,256,613.

**NOTICE TO THE USER:**

Any changes or modifications not expressly approved by Philips Lifeline for compliance could void your authority to operate the equipment.

## Requirements for Canada

### Department of Communications— Government of Canada Notice

The Canadian Department of Communications label identifies certified equipment. This certification means that the equipment meets certain telecommunications network protective, operational and safety requirements. The Department does not guarantee that the equipment will operate to the user's satisfaction. Users should ensure, for their own protection, that the electrical ground connections of the power utility, telephone lines and internal metallic water pipe system, if present, are joined together. These precautions may be particularly important in rural areas. The manufacturer requires that you connect your Communicator to the nationwide telephone network through a modular telephone jack (USOC RJ11C, RJ11W or RJ14). This equipment may not be used with coin telephone lines or party lines. Contact the local public utility commission, public service commission or corporation commission for information.

### Notification for the Telephone Company

Upon request of your local telephone company, you are required to provide them with the following information:

1. The "Line" to which you will connect your Communicator (that is, your phone number); and
2. The Communicator's FCC Registration Number and Ringer Equivalence Number (REN). Those numbers are on the bottom of your Communicator. The REN is used to determine how many devices may be connected to a telephone line.

Excessive RENs on a telephone line may result in the devices not ringing in response to an incoming call. In most, but not all, areas, the sum of RENs should not exceed five (5.0). To be certain of the number of devices that may be connected to a line, as determined by the total RENs, contact your local telephone company. For products approved after July 23, 2001, the REN for this product is part of the product identifier that has the format US:AAAEQ##TXXXX. The digits represented by ## are the REN without a decimal point (e.g., 03 is a REN of 0.3).

### Repair Information

If trouble is experienced with this equipment (6904, 6804 Communicator), please contact Philips Lifeline at 1-800-635-6156 in the United States or 1-800-387-1215 in Canada. If the equipment is causing harm to the telephone network, the telephone company may request that you disconnect the equipment until the problem is resolved.

**Caution:** Changes or modifications not expressly approved by the party responsible for compliance could void the user's authority to operate the equipment.

### Rights of the Telephone Company

If this equipment (6904, 6804 Communicator) causes harm to the telephone network, the telephone company will notify you in advance that temporary discontinuance of service may be required. But if advance notice isn't practical, the telephone company will notify the customer as soon as possible. Also, you will be advised of your right to file a complaint with the Government of Canada if you believe it is necessary.

The telephone company may make changes in its facilities, equipment, operations or procedures that could affect the operation of the equipment. If this happens, the telephone company will provide advance notice in order for you to make necessary modifications to maintain uninterrupted service.

### **Interference Information: RSS-210 of Industry Canada**

Your Communicator complies with RSS-210 of Industry Canada. Operation is subject to the following two conditions: (1) This device may not cause harmful interference; and (2) this device must accept any interference received, including interference that may cause undesired operation.

**NOTE:** Your Communicator has been tested and found to comply with the limits for a Class B digital device, pursuant to RSS-210 of Industry Canada. These limits are designed to provide reasonable protection against harmful interference in a residential installation. This equipment generates, uses and can radiate radio frequency energy and, if not installed and used in accordance with the instructions, may cause harmful interference to radio communications. However, there is no guarantee that interference will not occur in a particular installation. If this equipment does cause harmful interference to radio or television reception, which can be determined by turning the equipment off and on, the user is encouraged to try to correct the interference by one or more of the following measures:

- Move the Communicator away from your radio or television.
- Plug the Communicator into a different power outlet than your radio or television.

## ACTA (Administration Council for Terminal Attachments) Information

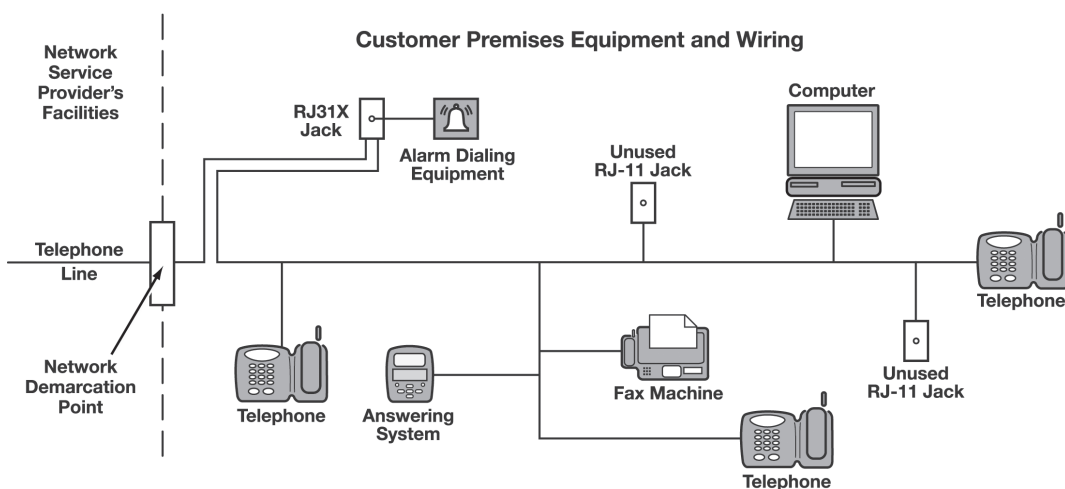
This equipment complies with Part 68 of the FCC rules and the requirements adopted by the ACTA. On the bottom of this equipment is a label that contains, among other information, a product identifier in the format US:AAAEQ##TXXXX. If requested, this number must be provided to the telephone company.

A plug and jack used to connect this equipment to the premises' wiring and telephone network must comply with the applicable FCC Part 68 rules and requirements adopted by the ACTA. A compliant telephone cord and modular plug is provided with this product. It is designed to be connected to a compatible modular jack that is also compliant. See installation instructions for details.

If your home has specially wired alarm equipment connected to the telephone line, ensure that the installation of the 6804 Communicator does not disable your alarm equipment. If you have questions about what will disable alarm equipment, consult your telephone company or a qualified installer.

**Caution:** In order for “alarm dialing equipment” to be able to seize the phone line to report an alarm or other event when other customer equipment (telephone, answering system, computer modem, etc.) connected to the same line is in use, “alarm dialing equipment” must be connected to a properly installed RJ31X jack. The RJ31X jack must be connected in series with, and ahead of, all other equipment attached to the same phone line. Series installation of an RJ31X jack is depicted in the figure on the following page. If you have any questions concerning these instructions, you should consult your telephone company or a qualified installer about installing the necessary jack and alarm dialing equipment for you.





**Caution:** If the above diagram is not used, this equipment cannot report an alarm when other equipment (telephone, answering system, computer modem, etc.) connected to the same phone line is in use.

### Patent Information

One or more of the following U.S. Patents may apply to this product: D277,465; 4,524,243; 4,760,593; 4,622,544; 4,908,602; 4,884,059; D313,363; D313,362; 4,064,368; 3,989,900; 5,091,930; 5,128,979. One or more of the following Canadian Patents may apply to this product: 1,274,930; 1,256,613.

**NOTICE TO THE USER:** Any changes or modifications not expressly approved by Philips Lifeline for compliance could void your authority to operate the equipment.

- Field Strength — Less than 5900  $\mu\text{V}/\text{m}$  at 3m
- Operating Frequency — 312 MHz
- Channeling — 1
- Mode of Transmission — Pulse Width Modulation
- Data Source — Internal Only
- Type of Modulation — Pulse Width
- Occupied Bandwidth — 310 MHz – 320 MHz
- Emission Designator — 200 KA 1 DAN
- Power Output — 5 Microwatts





**Philips Lifeline**  
111 Lawrence Street  
Framingham, MA 01702-8156  
Tel: 1-800-451-0525  
[www.lifelinesystems.com](http://www.lifelinesystems.com)

**Philips Lifeline Canada**  
95 Barber Greene Road, Suite 105  
Toronto, Ontario, Canada M3C 3E9  
Tel: 1-800-387-8120  
[www.lifeline.ca](http://www.lifeline.ca)

©2011. All rights reserved. Button signal range may vary due to environmental factors. P/N 0940765, Rev. 02

## Free Manuals Download Website

<http://myh66.com>

<http://usermanuals.us>

<http://www.somanuals.com>

<http://www.4manuals.cc>

<http://www.manual-lib.com>

<http://www.404manual.com>

<http://www.luxmanual.com>

<http://aubethermostatmanual.com>

Golf course search by state

<http://golfingnear.com>

Email search by domain

<http://emailbydomain.com>

Auto manuals search

<http://auto.somanuals.com>

TV manuals search

<http://tv.somanuals.com>