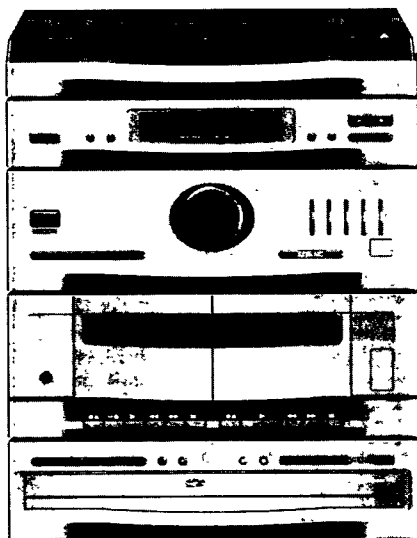


PHILIPS

AS 650 / AS 655 CD Midi System



Inventor of CD and DCC
DIGITAL
DCC
COMPACT CASSETTE
COMPACT
disc
DIGITAL AUDIO
a product from Philips

Declaración de conformidad con normas

El que suscribe, en nombre y representación de:

Audio Electronics Sdn. Bhd. – Penang

declara, bajo su propia responsabilidad, que el

equipo: **Combinación**

fabricado por: **Audio Electronics Sdn. Bhd.**

en: **Far East**


marca: **Philips**

modelos: **AS 650 / AS 655**

objeto de esta declaración, cumple con la normativa siguiente: Reglamento sobre Perturbaciones

Radioeléctricas, Real Decreto 138/1989, Anexo V.

Hecho en: Penang, 01-02-1994

Firma: 

Nombre: Khoo Bee Im
Función: Safety Co-ordinator

English3

Troubleshooting list.....10
Illustrations.....80-83

Français11

Liste de remedes en cas de panne18-19
Illustrations.....80-83

Deutsch20

Fehlersuch-Liste28
Abbildungen80-83

Nederlands29

Het verhelpen van storingen.....37
Afbeeldingen80-83

Español38

Localización de anomalías.....46
Ilustraciones80-83

Italiano47

Elenco ricerca guasti.....54-55
Illustrazioni80-83

Dansk56

Fejlfindings-liste63
Figurer80-83

Svenska64

Felsökningstabell71
Figurer80-83

Suomi72

Tarkistusluettelo78
Kuvat80-83

México

NOM

	PRECAUCIÓN - ADVERTENCIA No abrir, riesgo de choque eléctrico	
	ATENCIÓN Verifique que el voltaje de alimentación sea el requerido para su aparato	
Para evitar el riesgo de choque eléctrico, no quite la tapa. En caso de requerir servicio, dirijase al personal calificado.		

Es necesario que lea cuidadosamente su instructivo de manejo.

Norge

Typeskilt finnes på apparatens bakside.

Observer: Nettbryteren er sekundert innkoplet. Den innebygde nettdelen er derfor ikke frakoplet nettet så lenge apparatet er tilsluttet nettkontakten.

Australia

Guaranteepage 79


New Zealand

Guaranteepage 79

**CLASS 1
LASER PRODUCT**

INSTALLATION

INSTALLATION

- After unpacking the system, remove all protective material.
- Fully tighten both record player transit screws  (Fig. 3). Screw in clockwise direction (record player not on all versions).
- Insert the supplied batteries in the remote control, as indicated.
- Do not cover any vents and make sure that you leave sufficient room free around the unit for ventilation.

Important notes for users in the U.K.:

Mains plug

This apparatus is fitted with an approved moulded 13 Amp plug. To change a fuse in this type of plug proceed as follows:

- Remove fuse cover and fuse.
- Fix new fuse which should be a BS1362 5 A, A.S.T.A. or BSI approved type.
- Refit the fuse cover.

If the fitted plug is not suitable for your socket outlets, it should be cut off and an appropriate plug fitted in its place.

If the mains plug contains a fuse, this should have a value of 5 A. If a plug without a fuse is used, the fuse at the distribution board should not be greater than 5 A.

Note: The severed plug must be disposed to avoid a possible shock hazard should it be inserted into a 13 A socket elsewhere

How to connect a plug

The wires in the mains lead are coloured with the following code: blue = neutral (N), brown = live. (L) As these colours may not correspond with the colour markings identifying the terminals in your plug, proceed as follows:

- Connect the blue wire to the terminal marked N or coloured black.
- Connect the brown wire to the terminal marked L or coloured red.
- Do not connect either wire to the earth terminal in the plug, marked E (or $\frac{1}{2}$) or coloured green (or green and yellow).

Before replacing the plug cover, make certain that the cord grip is clamped over the sheath of the lead - not simply over the two wires

Copyright: Recording and playback of material may require consent. See Copyright Act 1956 and The Performer's Protection Acts 1958 to 1972.

CONNECTIONS

CONNECTIONS, Fig. 1

- (A) **VOLTAGE SELECTOR** (not on all versions)
If your system has a voltage selector, set it to the local mains voltage.
- (B) **PHONO SUPPLY** – Socket for connecting a record player that is not itself connected to the mains.
- (C) **SPEAKERS** – Terminals for two loudspeakers, impedance of original speakers 6 Ohm, if other speakers are used, at least 8 Ohm.
 - One of the two wires of a loudspeaker cable is marked, e.g. with a colour or rib. The marked wire should be connected to the red terminal and the unmarked one to the black terminal. Make sure that the colour combination of wire and terminal is the same for each loudspeaker (Fig. 10).
 - The position of the loudspeakers should be carefully selected to achieve the best possible stereo effect. As every room has different characteristics, the best position can only be found by experimenting. The bass frequencies will be emphasised if you place the loudspeakers on the floor or in a corner. Treble response will be weakened if you place the loudspeakers behind furniture or curtains. Try to keep the arrangement as symmetrical as possible, also with regard to the height of the speakers.
- (D) **MAINS** – Socket for mains lead.
N.B.: Check that the local mains voltage corresponds to the voltage indicated on the type plate before connecting the system to the mains. If this is not the case, consult your dealer.
The type plate is located at the rear of the system.
- (E) **AUX/PHONO** – Sockets for a dynamic record player with a built-in pre-amplifier and a linear output (e.g. PHILIPS AK 540), TV set, VCR, etc.
- (F) **FM AERIAL** – Socket for FM (ultrashort wave) aerial, 75 Ohm, for connection to a central aerial installation. The auxiliary wire aerial that is supplied can also be connected to this socket. Adjust the direction of this aerial so as to obtain optimum reception. For good FM stereo reception, we recommend the use of an FM outdoor aerial.

CONTROLS

FRONT PANEL, Fig. 2

Receiver (Amplifier/Tuner)

- ① **TUNER, CD, TAPE and PHONO/AUX** – function selector keys for selecting the sound source
- ② **STANDBY ON** – for switching on and off
- ③ **VOLUME** – volume control with STANDBY display (flashes when the remote control is used)
- ④ **REMOTE SENSOR** – receives the infrared ^o signals from the remote control
- ⑤ **AUTO PROGRAM** – key for automatic programming of preset stations
- ⑥ **MONO STEREO** – for switching over to mono reception to reduce interference caused by weak stereo reception
- ⑦ **Display**
- ⑧ **PROGRAM** – key for manual programming of preset stations
- ⑨ **BAND** – key for selecting LW, MW or FM waveband
- ⑩ **PRESETS -/+** – keys for tuning to a preset station
- ⑪ **◀ TUNING ▶** – keys for tuning to a desired frequency
- ⑫ **4-BAND GRAPHIC EQUALIZER** – for adjusting the sound to your individual taste
DBB – Dynamic Bass Boost for emphasising the bass frequencies
- ⑬ **HIGH SPEED DUBBING** – for recording from one cassette deck to the other at high speed
FERRO/CHROME – for selecting the type of the tape

Cassette decks

- ⑭ **PHONES** – Socket for stereo headphones (minimum impedance 32 Ohm). The loudspeakers are switched off when headphones are connected.
- ⑮ **■/▲** – for stopping the cassette tape and opening the cassette compartment
REC ● – for starting recording
▶ – for starting playback
◀◀ – fast winding in reverse direction
▶▶ – fast winding in forward direction
|| – for interrupting playback or recording

Compact Disc Changer

- ⑯ **OPEN/CLOSE** – key for opening and closing the CD tray
- ⑰ **CD tray**
Keys inside of the CD tray
LOAD – key for rotating the turntable in the CD tray when inserting CDs
QUICK PLAY – key for immediate playing of the CD, which lies in the 'PREFERRED POSITION' recess.
- ⑱ **PLAY** – key for starting playback

- ⑲ **◀◀ TRACK SKIP ▶▶** – keys for selecting the next or the previous track and searching for a particular passage during playback
- ⑳ **STOP** – key for stopping playback
- ㉑ **PAUSE** – key for interrupting playback
- ㉒ **DISC SELECT -/+** – key for selecting the CD
- ㉓ **INTROSCAN** – key for automatically playing the beginning of each track of all CDs or a program
REPEAT – key for repeating playback of CDs or of a program
SHUFFLE – key for playing back CDs or a program in random order
CLEAR – key for erasing the program
REVIEW – key for displaying all programmed tracks
PROGRAM – key for programming the tracks

RECORD PLAYER, Fig. 3 (not on all versions)

- ⚠ Adaptor for 45 rpm records
- ⚠ Transport safety screws
- ⚠ Pickup arm finger lift for raising and lowering the pickup arm
- ⚠ Rpm selector for selecting the appropriate speed (33 or 45)
- ⚠ Pickup arm clamp

REMOTE CONTROL, Fig. 4

- **STANDBY ◻** – for switching to the standby mode
- **PHONO (AUX), CD, VCR, TV, TUNER** – function selector keys for selecting the signal source. TV or VCR can only be selected if the unit uses the RC-5 remote control system.
- **DISC ▼ or ▲** – CD selection (CD)
- **SHUFFLE** – for playing back CDs in random order (CD)
- **PREV. ◀ or NEXT ▶** – for playing back the previous or the next track (CD) and selecting the preset station (TUNER)
- **REPEAT** – for repeating a CD or a program (CD)
- **◀◀ SEARCH ▶▶** – for tuning to a preset station (TUNER) and searching for a particular passage (CD)
- **SCAN** – for playing the beginning of each track (CD)
- **STOP** – for stopping playback (CD)
- **PLAY** – for starting playback (CD)
- **PAUSE** – for interrupting playback (CD)
- **VOLUME -/+** – for adjusting the volume

How to use the remote control

Always first select the desired signal source and then press the appropriate key (e.g. **CD, PLAY** and **VOLUME -/+** for adjusting the volume). The remote control will remain tuned to the selected unit until another function selector key is chosen.

AMPLIFIER

TUNER

SWITCHING ON AND OFF

- Switch on the unit with **STANDBY ON** ②.
- Press the required function selector key ①: **TUNER, CD, TAPE or PHONO/AUX**
- Adjust the volume with the **VOLUME** control ③.
- If necessary, adjust the sound with the **4-BAND EQUALIZER** controls ⑫ and/or the **DBB -Dynamic Bass Boost - control** ⑬.
- By pressing the **STANDBY ON** switch ② on the amplifier, the unit is switched off. To switch off the power supply, remove the mains plug.

AUTOMATIC SOURCE SELECTION

Automatic source selection occurs, e.g.

- **TUNER**, when pressing the **TUNING** ◀ or ▶ ⑪, **PRESETS** -/+ ⑩ or **BAND** ③ key
- or **CD**, when pressing the **PLAY** ⑱, **OPEN/CLOSE** ⑲, **QUICK PLAY** ⑲, **DISC SELECT** -/+ ⑳, **INTROSCAN** ㉓ or **SHUFFLE** ㉔ key.

STANDBY

- If the **STANDBY** ① key is pressed on the remote control, the unit switches into the standby mode.
- If you press the **STANDBY ON** switch ② when the unit is already in the standby mode, the sound source last selected is activated.
- If the unit is in the standby mode, you can also switch it on with the **TUNER, CD, TAPE and PHONO/AUX** keys ① or with any other play function key.

TUNING GRID.

Changing to 10 or 9 kHz:

- In North and South America the frequency step between adjacent channels in the AM band has to be 10 kHz. In all other parts of the world this step is 9 kHz. In some versions of this unit the frequency step can be changed. To change to 10 kHz, proceed as follows:
- Remove the mains plug to switch off the power supply.
 - Keep the keys **BAND** ③ and **TUNING** ▶ ⑪ both pressed down and connect the unit to the mains again. The display will show for approx. 2 seconds: AM 10 kHz.
 - To change back to 9 kHz, repeat this procedure with the keys **BAND** ③ and **TUNING** ◀ ⑪. The display will show for approx. 2 seconds: AM 9 kHz.

Deleting the LW waveband:

- In some countries (Australia, New Zealand, etc.) the LW waveband does not exist. In some versions of this unit it is therefore possible to delete the LW waveband. To do so, proceed as follows:
- Remove the mains plug to switch off the power supply.
 - Keep the keys **BAND** ③ and **TUNING** ◀ ⑪ both pressed down and connect the unit to the mains again. The display will show for approx. 2 seconds: LW OFF.
 - To reactivate the LW waveband, repeat this procedure with the keys **BAND** ③ and **TUNING** ▶ ⑪. The display will show for approx. 2 seconds: LW ON.

TUNING

- Press the **TUNER** key ①.
- Select the waveband with the **BAND** key ③.
- Tune to the desired station:
- Press the **TUNING** ◀ or ▶ key ⑪ (the **SEARCH** ◀◀ or ▶▶ key on the remote control). The frequency display will change until a station with sufficient strength is found. Repeat this procedure until you find the desired station.
- In order to tune to a weak station, briefly (for less than half a second) press the **TUNING** ◀ or ▶ key ⑪ a few times until the display shows the right frequency and/or optimum reception has been obtained.
- To reduce interference caused by poor FM stereo reception, switch over to mono reception with the **MONO STEREO** key ⑥. The **STEREO** indication will be deleted on the display ⑦.

TUNING TO PRESET STATIONS

Up to 30 preferred stations can be stored in the memory of the tuner. When you tune to a preset station, a preset number (1 to 30) appears on the display next to the frequency.

- Press the **TUNER** key ①.
- Using the **PRESETS** -/+ key ⑩ (the **PREV.** ◀ or **NEXT** ▶ key on the remote control), select the preset number (1 to 30) of the station.

PROGRAMMING

- Press the **TUNER** key ①.
- Press the **PROGRAM** key ⑤.
- Tune to the station to be programmed with the **TUNING** ◀ or ▶ keys ⑪, as described above.
- Choose a preset number for the preset station with the **PRESETS** -/+ key ⑩.
- Press the **PROGRAM** key ⑤. The station will now be stored in the memory.
- During programming, the symbol **PROGRAM** will flash on the display ⑦.

Automatic programming

- Press the **TUNER** key ①.
- Press the **AUTO PROGRAM** key ⑤ for more than half a second. The tuner will automatically begin to tune to stations. Once a station has been found, the frequency and the preset number under which the station is stored in the memory will appear on the display. Strong radio stations will be stored before weak ones. All previously programmed memory positions will be overwritten and therefore erased.
- During programming, the symbol **AUTO PROGRAM** flashes on the display ⑦.
- Press **AUTO PROGRAM** key ⑤ again, if you wish to interrupt automatic programming of preset stations.

RECORD PLAYER

CD CHANGER

RECORD PLAYER (not on all versions)

- Press the **PHONO/AUX** key ①.
- Place a record on the turntable. For records with a large centre hole, use the adaptor disc △.
- Remove the stylus guard by gently pulling it forward.
- Set the appropriate speed – 33 or 45 – on the rpm selector △.
- Release the pickup arm from its clamp △.
- Set the lever △ to ▽.
- Move the pickup arm inwards. This starts the record player. Then position the arm above the desired track or passage on the record.
- Move the lever △ carefully to the ▽ position. Playback of the record begins.
- At the end of the record the pickup arm returns to its support and the record player is automatically switched off.
- Record playback can be stopped at any given time by setting the lever △ to the ▽ position and then moving the pickup arm outwards. When the pickup arm reaches the support, the turntable will stop. The lever △ can now be set to the ▽ position, the arm secured and the stylus guard replaced.

N.B.: At first it is possible that the pickup arm will not return to its support. If this happens, move the pickup arm by hand – gently! – to the centre of the record. Once the mechanism has been actuated in this way, it will subsequently operate automatically.

INSERTING THE CDS

- Open the CD tray by pressing the **OPEN/CLOSE** key ⑯.
 - The set automatically selects the CD source. – 'CD' appears on the display.
 - Remove the CD from its box and place it in the tray with **printed side up** (fig. 5). You can insert up till 5 CDs in the CD tray (with a diameter of 12 cm or 8 cm).
 - Use the **LOAD** key ⑰ to rotate the turntable in the CD tray.
 - Close the CD tray by pressing the **OPEN/CLOSE** key ⑯.
 - 'CD' appears on the display.
 - The CD changer starts now the CD detection. It checks how many CDs there are in the CD tray. Thereafter the display shows the identified CDs in the CD number indicator (1-5).
 - If you **only** want to play back **one CD**, insert it to the 'PREFERRED POSITION' recess and press the **QUICK PLAY** key ⑱.
 - Playback of this CD starts immediately.
- N.B.:** Always remove all CDs from the CD tray if you want to transport the changer.

PLAYBACK (PLAY)

- Press the **PLAY** key ⑲.
 - Playback of the first CD starts.
 - The CD number indicator (1-5) shows what CD is being played (▶).
 - The display shows the number and the playing time of the track that is being played.
 - To interrupt playback briefly, press the **PAUSE** key ⑳. The symbol PAUSE appears on the display. To resume playback, press the **PLAY** key ⑲.
 - To stop playback, press the **STOP** key ㉑.
- N.B.:** – You can also press **PLAY** ⑲, **QUICK PLAY** ⑱, **DISC SELECT -/+** ㉒, **SHUFFLE** ㉓ or **INTROSCAN** ㉔ immediately after inserting the CDs; the tray then closes automatically.
- If you press **OPEN/CLOSE** ⑯ during play, the CD tray will open while play continues. The three CDs outside the changer may now be changed without playback being interrupted.

STARTING WITH A PARTICULAR CD

- Press the **DISC SELECT -/+** key ㉒ until the desired CD is indicated (▶).
- Playback of the selected CD starts immediately.

STARTING WITH A PARTICULAR TRACK

- First select with the **DISC SELECT -/+** key ㉒ the desired CD (▶).
- Then select the desired track by pressing briefly the **TRACK SKIP** ⏪ or ⏩ key ㉓ until the track number appears on the display.
- Press the **PLAY** key ⑲ to start playback with the selected track number.

CD CHANGER

SEARCHING FOR A PASSAGE (SEARCH)

- Hold down the **TRACK SKIP** ⏪ or ⏩ key (19) (for more than half a second) during playback until the desired passage is located.
- During the search the sound is played back faster than normal.
- Playback resumes at the normal speed once the key is released.

SCANNING THE CDs (INTROSCAN)

- Press the **INTROSCAN** key (23) before or during playback.
- Before playing the beginning of tracks the display will always briefly show 'SCAN'.
- The first 10 seconds of each track are played in turn.
- The CD number indicator (1-5) shows what CD is being played (▶).
- The display shows the number of the track that is being played.
- To return to normal playback press the **PLAY** (18) or **INTROSCAN** (23) key.
- Stop playback by pressing the **STOP** key (20).

PLAYING THE CD IN RANDOM ORDER (SHUFFLE)

- Press the **SHUFFLE** key (23) before or during play.
- On the display appear SHUFFLE and the track number selected at random.
- All CDs inserted in the CD tray are now played back in a random order.
- The CD number indicator (1-5) shows what CD is being played (▶).
- If you only want to play back a particular CD press the **DISC SELECT -/+** key (22) until the desired CD is indicated (▶).
- On the display appear DISC SHUFFLE and the track number selected at random.
- Playback in a random order of the selected CD starts immediately.
- To return to normal playback press **SHUFFLE** key (23).
- Stop playback by pressing the **STOP** key (20).

SELECTING ANOTHER TRACK DURING PLAY

- First select with the **DISC SELECT -/+** key (22) the desired CD (▶).
- Then select the desired track by pressing briefly the **TRACK SKIP** ⏪ or ⏩ key (19) until the track number appears on the display.
- Playback of the selected track starts immediately.

SELECTING ANOTHER TRACK DURING SHUFFLE

- Press the **TRACK SKIP** ⏪ or ⏩ key (19) briefly.
- Playback of the next selected track at random starts immediately and the track number appears on the display.
- If you press the **TRACK SKIP** ⏪ key (19), the current track will be started again.

REPEATING A CD (REPEAT DISC)

- Press the **REPEAT** key (23) during playback.
- REPEAT DISC lights up on the display.
- The indicated CD (▶) will be repeated continuously.
- Stop repetition by pressing the **REPEAT** key (23) twice.

REPEATING ALL CDs (REPEAT)

- Press the **REPEAT** key (23) twice before or during playback.
- REPEAT lights up on the display.
- All CDs will be repeated continuously.
- Stop repetition by pressing the **REPEAT** key (23).

PROGRAMMING TRACKS

- Up to 30 tracks can be stored in the memory in any order. If you try to store more than 30 tracks in the memory, the message 'FULL' will appear on the display.
- In Stop mode, press the **PROGRAM** key (23) to open the memory.
 - 'PRG' lights up and PROGRAM starts flashing on the display.
 - Select the desired CD with the **DISC SELECT -/+** key (22) (▶).
 - Select the desired track with the **TRACK SKIP** ⏪ or ⏩ key (19).
 - Store the track number in the memory by pressing the **PROGRAM** key (23).
 - The number of the tracks which have already been stored appears on the display for a short period.
 - Select and store all desired tracks in this way.
 - To play the program, press the **PLAY** key (18).
 - Quit the PROGRAM mode by pressing the **STOP** key (20).

CHECKING THE PROGRAM

- If you press the **REVIEW** key (23) all the stored track numbers in the preselected order appear on the display.

ERASING A PROGRAM

- In STOP mode, press the **CLEAR** key (23).
- This will erase the entire program.
- PROGRAM will extinguish on the display.
- Pressing the **OPEN/CLOSE** key (16) or the **STANDBY ON** key (2) will also erase the program.

ERASING A TRACK FROM THE PROGRAM

- In STOP mode, press the **REVIEW** key (23).
- All the stored tracks in the preselected order appear on the display.
- Press the **CLEAR** key (23) as soon as the track which is to be erased is shown on the display.
- 'CLR' appears on the display, followed by the next stored track.

CD CHANGER

CASSETTE DECKS

SELECTING ANOTHER SOURCE DURING PLAYBACK

- You can select another source during playback of a CD.
- When you press the **PLAY** key (Ⓜ), the CD changer will return to the original mode: **PLAY**, **SHUFFLE**, **INTROSCAN**, **REPEAT** or **PROGRAM**.
- Playback of the CD will resume at the position, where it has been interrupted.
- When you press the **CD** key (Ⓜ) instead of the **PLAY** key, the CD changer will return to the position, where it has been interrupted. The CD changer switches to **PAUSE** mode.

N.B.: Playback can not be resumed when the unit has been switched to **STANDBY** in the meanwhile.

CD DISPLAY



CD number indicator 1-5

- indicates the number of CDs in the CD tray.
- indicates which CD is being played (▶).

REPEAT DISC – lights up when you repeat a CD.

REPEAT – lights up when you repeat all CDs or a program.

SHUFFLE – lights up when you play the tracks of all CDs in random order.

DISC SHUFFLE – lights up when you play the tracks of one particular CD in random order.

PROGRAM

- flashes during you store a program.
- lights up when a program is available.

PAUSE – lights up when you interrupt playback

OPEN – lights up when you open the CD tray.

CLOSE – lights up when you close the CD tray.

NO CD – lights up when there is no CD in the CD tray and the tray is closed.

ERR – lights up when you make an error in operating the CD changer and if the CD changer cannot read a CD, see 'TROUBLESHOOTING LIST'.

SCAN – lights up when you play beginning of the tracks (**INTROSCAN**).

SPEC – lights up when you insert a data disc.

FRAG – lights up when you select the **PROGRAM** mode.

CLR – lights up when you erase a track from the program.

FULL – lights up when you try to store more than 30 tracks in the memory.

NO FRAG – lights up when you press the **CLEAR** or **REVIEW** key although there is no program available.

RECORDING (deck 1 only)

Copyright: Recording is permitted only in so far as copyrights or other rights of third parties are not thereby infringed. (Not applicable to Germany)

Preparing for recording (deck 1 only)

- Using the **TUNER, CD** or **PHONO/AUX** key (Ⓜ), select the sound source to be recorded from.
- Select the type of the tape for recording by pressing the **FERRO/CHROME** key (Ⓜ) (**FERRO**= IEC I, **CHROME** = IEC II).
- On the display is either **FERRO** or **CHROME** indicated.
- Open cassette compartment 1 by pressing the **▶/▲** key (Ⓜ) and insert a cassette in the compartment, with the open side downwards and the full spool on the left (fig. 7).
- Do not use protected cassettes (i.e. cassettes with the tabs removed, fig 8), as the **REC** ● key (Ⓜ) will not function properly.
- Press the **||** key (Ⓜ) of deck 1.
- Press the **REC** ● key (Ⓜ) of deck 1.
- Start recording by pressing the **||** key (Ⓜ) once more.
- To interrupt recording briefly, press the **||** key (Ⓜ) of deck 1. To resume recording, press the **||** key once more.
- End recording by pressing the **▶/▲** key (Ⓜ) of deck 1.

PLAYBACK

- Any type of cassette can be used.
- Press the **TAPE** key (Ⓜ).
- Playback is possible with either of the two cassette decks 1 and 2. If **both** ▶ keys are pressed at the same time, deck 2 takes precedence.
- Open cassette compartment 1 by pressing the **▶/▲** key (Ⓜ) and insert a cassette in the compartment with its open side downwards (fig. 7).
- Press the ▶ key (Ⓜ).
- To interrupt playback briefly, press the **||** key (Ⓜ). To resume playback, press the **||** key once more.
- End playback by pressing the **▶/▲** key (Ⓜ).

Continuous playback

- Press the **TAPE** key (Ⓜ).
- Open both cassette compartments by pressing the **▶/▲** keys (Ⓜ) and insert a recorded cassette in both compartments (fig. 7).
- Press the ▶ key (Ⓜ) of deck 2.
- Press the **||** key (Ⓜ) of deck 1.
- Press the ▶ key (Ⓜ) of deck 1.
- When the end of the cassette in deck 2 has been reached (or when the **▶/▲** key (Ⓜ) of deck 2 is pressed), playback of the cassette in deck 1 will begin.

GENERAL INFORMATION

DUBBING – RECORDING FROM DECK 2 TO 1

- Press the **TAPE** key ①.
- Select the dubbing speed with the **HIGH SPEED DUBBING** key ⑩. Do **not** press this key during dubbing.
- Open both cassette compartments by pressing the **■/▲** ⑮ keys, insert the recorded cassette in deck 2 and the cassette which is to be dubbed in deck 1 (fig. 7).
- Press the **II** ⑮ key and then the **REC ●** ⑮ key of deck 1.
- Dubbing will begin as soon as the **▶** ⑮ key of deck 2 is pressed.
- To omit undesired passages, press the **II** ⑮ key of deck 1; deck 2 will continue to play. To resume dubbing, press the **II** ⑮ key once more.
- You can record a blank passage by pressing the **II** ⑮ key of deck 2. Resume recording by pressing the **II** ⑮ key once more.
- You can stop dubbing by pressing both **■/▲** ⑮ keys.

FAST WINDING

- By pressing the **▶▶** and **◀◀** ⑮ keys, fast winding of the tape is possible in both directions.
- To stop fast winding, press the **■/▲** ⑮ key.

AUTOMATIC SWITCHING-OFF

- If the end of the tape is reached during recording, playback or fast winding, the tape will stop and the respective key will automatically be switched off.

CASSETTES

- The tape in the cassette is secured at both ends with leader tape. You should bear in mind, therefore, that at the beginning and at the end of the cassette nothing will be recorded for 6 to 7 seconds !
- When a new recording is made, the old one will automatically be erased. However, the accidental erasure of a recording can be prevented by breaking the small plastic projection in the top left-hand corner on the back of the cassette (fig. 8). This protection against erasure or recording can be reversed by sticking a small piece of adhesive tape over the aperture that has been made.
- After use, store your cassettes in the box provided. Do not place them in the sunlight or close to magnets and transformers of, for example, TV sets and loudspeakers.

GENERAL INFORMATION

MAINTENANCE AND CLEANING

CD maintenance

- Never write on the printed side of a CD.
- Do not attach stickers to the CD.
- Keep the shiny surface of the CD clean. For cleaning, use a lint-free cloth and always wipe the disc in a straight line from the centre to the edge (fig. 6).
- Never use cleaning agents intended for conventional records.
- Never use detergents or abrasive cleaning agents.

CD player maintenance

- For cleaning the CD player, use a chamois leather slightly moistened with water.
- Do not expose the unit to direct sunlight for any length of time and do not expose it to excessive heat (e.g. close to heating equipment).
- Do not expose the unit to dampness or rain.

Cassette deck maintenance

- After approximately 15 hours of use the heads ④ and ⑤, the capstan ③ and the pressure roller ⑥ (fig. 9) must be cleaned. If this is not done, both recording and playback quality may be impaired.
- You can clean these parts by playing an SBC 114 cleaning cassette or by using a swab dipped in alcohol. When cleaning, make sure that the unit is not connected to the mains.
 - The drive mechanism must **not** be lubricated!

Record player maintenance

Because self-lubricating bearings are used, the record player requires no maintenance.

- The stylus unit can be removed in one piece and replaced (figs. 11 and 12). Carefully press the front edge of the stylus unit downwards until it comes loose. Mount a new stylus unit by first sliding the rear part of the stylus unit into place. Then push the foremost part upward until you can feel and hear the stylus click into place.
- The dust cover is fitted with frictional hinges. It can be set to almost any position. If this is not the case, carefully tighten the screws ⑥, fig. 1.
- The hinges must **not** be lubricated!

This unit complies with the radio interference requirements as laid down in EC (European Community) regulations.

TROUBLESHOOTING LIST

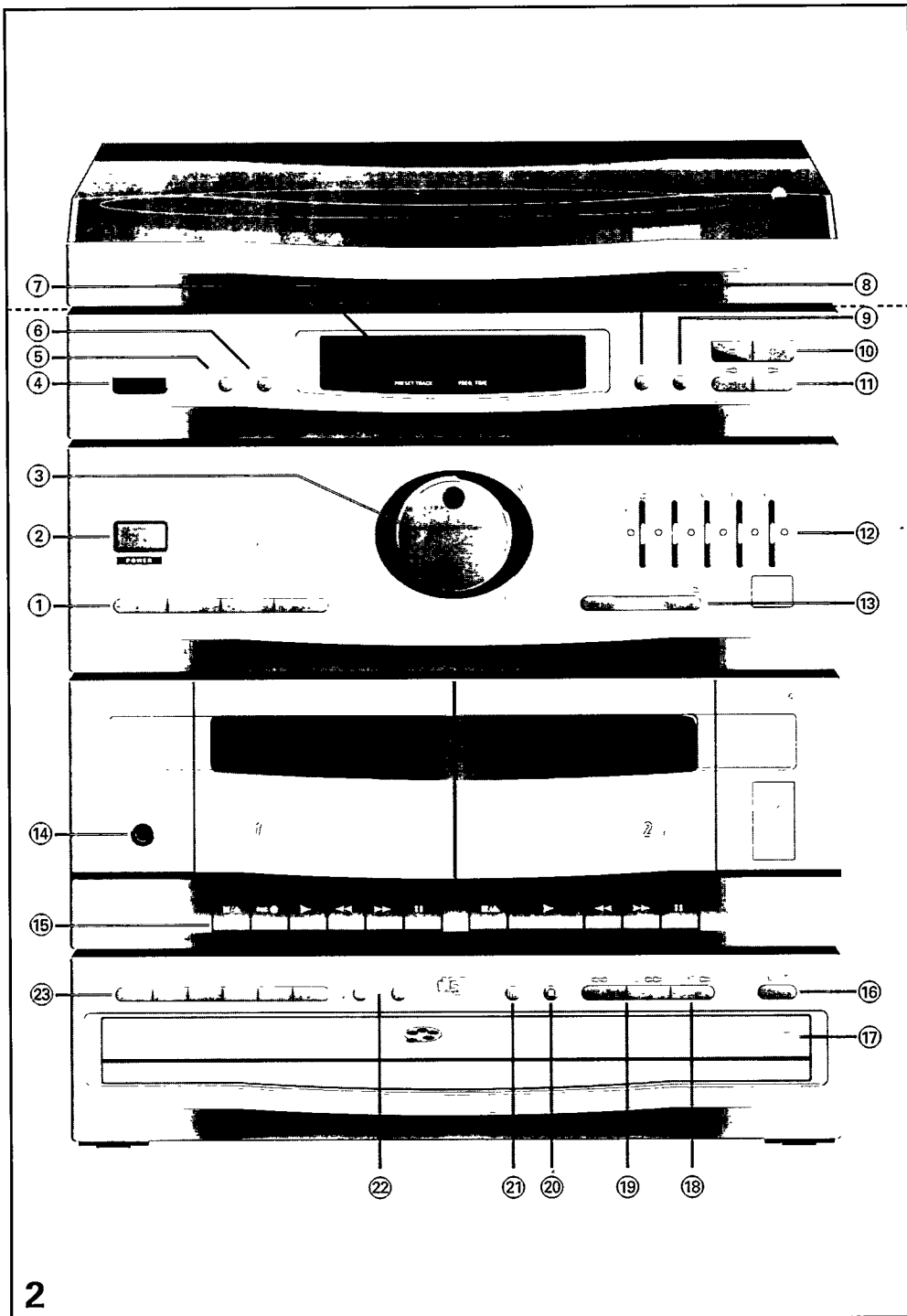
English

If a fault occurs, first check the points listed below before taking the unit for repair.

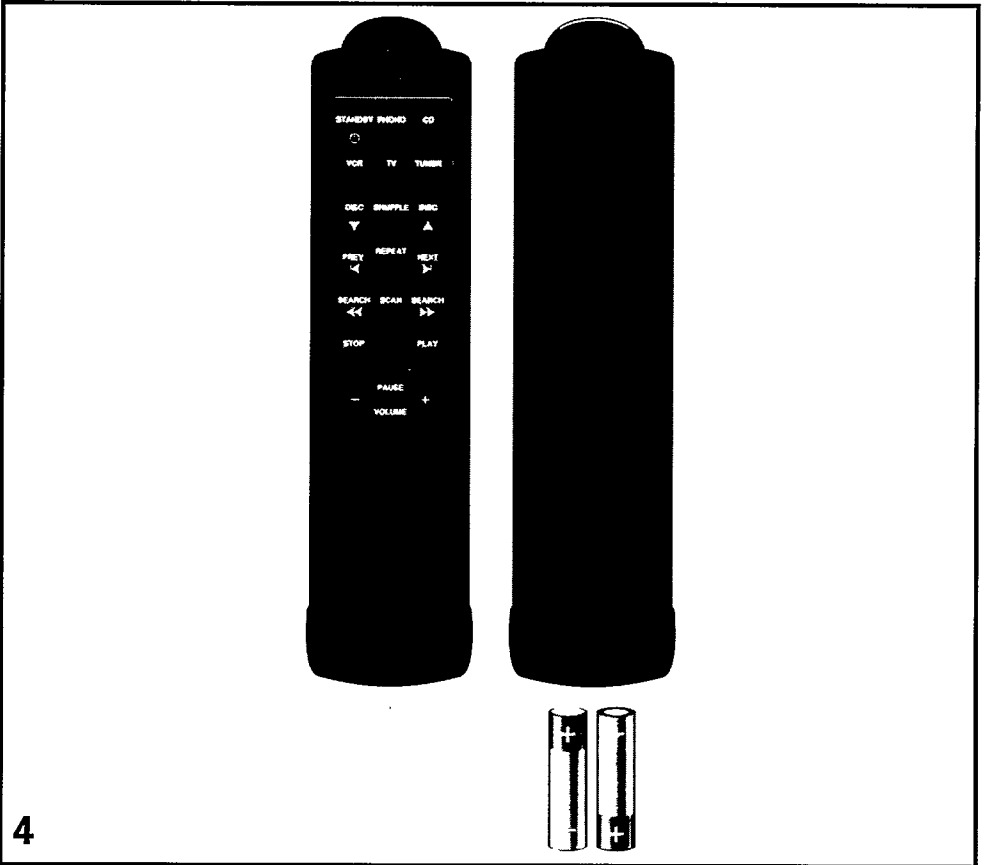
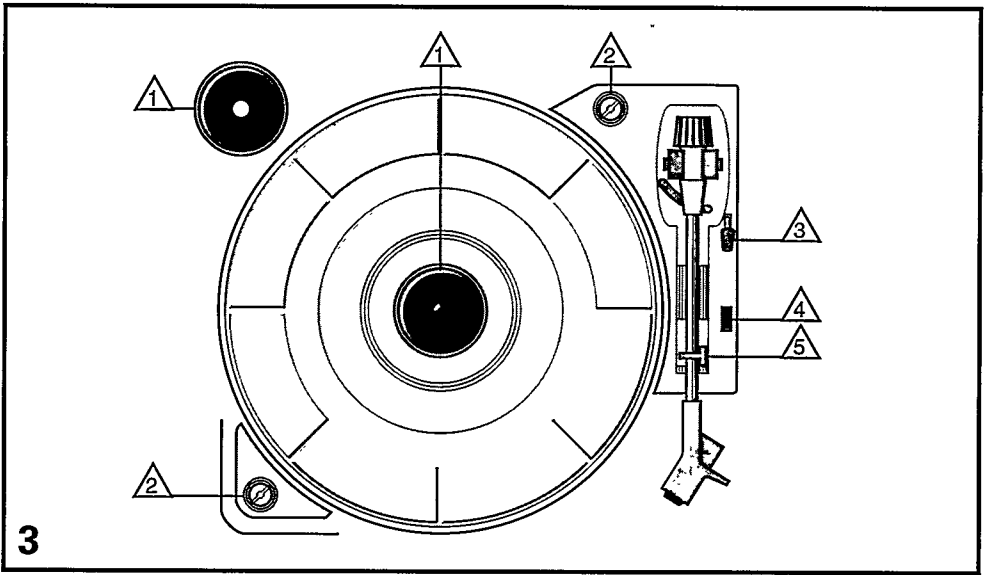
PROBLEM	POSSIBLE CAUSE	SOLUTION
General:		
No power	Mains lead is not connected securely	Connect the mains lead
No or bad sound	Volume is not turned up Loudspeakers are not or wrong connected Use of other loudspeakers Headphones are connected	Turn up the volume Connect the loudspeaker cables correctly Use the original loudspeakers Disconnect headphones
Reversed left and right sound	Wrong connection of loudspeakers	Connect the loudspeaker cables correctly
System does not react to operation of any key	Electrostatic discharge	Disconnect the system from power supply and reconnect it after a few sec.
Tuner:		
Severe hum or noise	FM aerial is not connected Loose connections Unit is too close to TV/VCR	Connect FM aerial Make connections securely Move TV/VCR away from unit
CD changer:		
'no DISC' or 'Err' indication	Surface of CD is badly scratched or dirty No CD inserted CD is incorrectly inserted Lens of laser scanner has clouded over	Clean the CD ('see Maintenance and Cleaning') Insert a CD Insert CD with label facing upwards Wait until unit has acclimatised
Cassette decks:		
No sound	TAPE source is not selected	Press the TAPE key
Bad sound	Recording heads, the capstan and pressure roller are dusty and soiled	Clean those parts ('see Maintenance and Cleaning')
Recording is not possible or interrupts	Cassette is protected against recording No recording source is selected The end of tapeside is reached	Stick an adhesive tape over the aperture Select the source to be recorded from Turn the tape
Record player (not on all versions):		
No sound	PHONO source is not selected	Press the PHONO/AUX key
Bad sound	Needle is dirty	Clean or change the needle
Pickup arm jumps out of the groove	The record player is not positioned on a level surface	Position the record player on a level surface
Remote control:		
No or no proper operation	Distance between unit and remote control is too large Batteries are incorrectly inserted Batteries are empty	Reduce distance Insert them correctly Insert new batteries
'Err' indication (not on all versions)	TV or VCR source is selected	Select PHONO, CD or TUNER source

WARNING

If you are unable to remedy a problem by following these hints, consult your dealer or service facility. Under no circumstances should you try to repair the system yourself, as this would invalidate the warranty.



2



Guarantee and Service

The benefits given to the purchaser by this warranty are in addition to all other rights and remedies, which, under the Trade Practices Act or other Commonwealth or State law, the purchaser or owner has in respect of the product.

The Philips product carries the following warranties:

- C-series HiFi-systems 12 months.
- Compact Disc Players: 12 months.
- Home Audio Systems: 6 months.
- Clock radios, portable radios, cassette recorders, cassette players and radio recorders: 90 days.

Any defect in materials or workmanship occurring within the specified period from the date of delivery, will be rectified free of charge by the retailer from whom this product was purchased.

Note: Please retain your purchase docket to assist prompt service.

Conditions of this warranty

1. All claims for warranty service must be made to the retailer from whom this product was purchased. All transport charges incurred in connection with warranty service or replacement will be paid by the purchaser.
2. These warranties do not cover batteries and extend only to defects in materials or workmanship occurring under normal use of the product where operated in accordance with our instructions.

**Philips Consumer Products Division,
Technology Park
Figtree Drive, Australia Centre
Homebush 2140,
New South Wales**

Guarantee and Service

Thank-you for purchasing this quality Philips product.

Philips New Zealand Ltd guarantees this product against defective components and faulty workmanship for a period of 12 months. Any defect in materials or workmanship occurring within 12 months from the date of purchase subject to the following conditions will be rectified free of charge by the retailer from whom this product was purchased.

Conditions

1. The product must have been purchased in New Zealand. As proof of purchase, retain the original sales docket indicating the date of purchase.
2. The guarantee applies only to faults caused by defective components, or faulty workmanship on the part of the manufacturer.
3. The guarantee does not cover failures caused by misuse, neglect, normal wear and tear, accidental breakage, use on the incorrect voltage, use contrary to operating instructions, or unauthorised modification to the product or repair by an unauthorised technician.
4. Reasonable evidence (in the form of a sales docket) must be supplied to indicate that the product was purchased no more than 12 months prior to the date of your claim.
5. In the event of a failure, Philips shall be under no liability for any injury, or any loss or damage caused to property or products other than the product under guarantee.

This guarantee does not prejudice your rights under common law and statute, and is in addition to the normal responsibilities of the retailer and Philips.

How to claim

Should your Philips product fail within the guarantee period, please return it to the retailer from whom it was purchased. In most cases the retailer will be able to satisfactorily repair or replace the product.

However, should the retailer not be able to conclude the matter satisfactorily, or if you have other difficulties claiming under this guarantee, please contact

**The Guarantee Controller
Philips New Zealand Ltd.**

✉ P.O. Box 41.021, Auckland

☎ (09) 84 94 160

☎ (09) 84 97 858

Garantía

Este aparato está fabricado con materiales de alta calidad y ha sido cuidadosamente verificado. Philips, por lo tanto, da a usted una garantía de 12 meses a partir de su fecha de compra. La garantía ampara la reposición de las piezas defectuosas debidas a fallas en su montaje o en los materiales, incluyendo la mano de obra necesaria para su reemplazo en nuestras Sucursales o talleres autorizados. En caso de fallas en su aparato le rogamos se sirva poner en contacto con su distribuidor.

Esta garantía no cubrirá las averías que resulten como consecuencia de una instalación incorrecta del aparato, manifiesto maltrato o uso inadecuado del mismo.

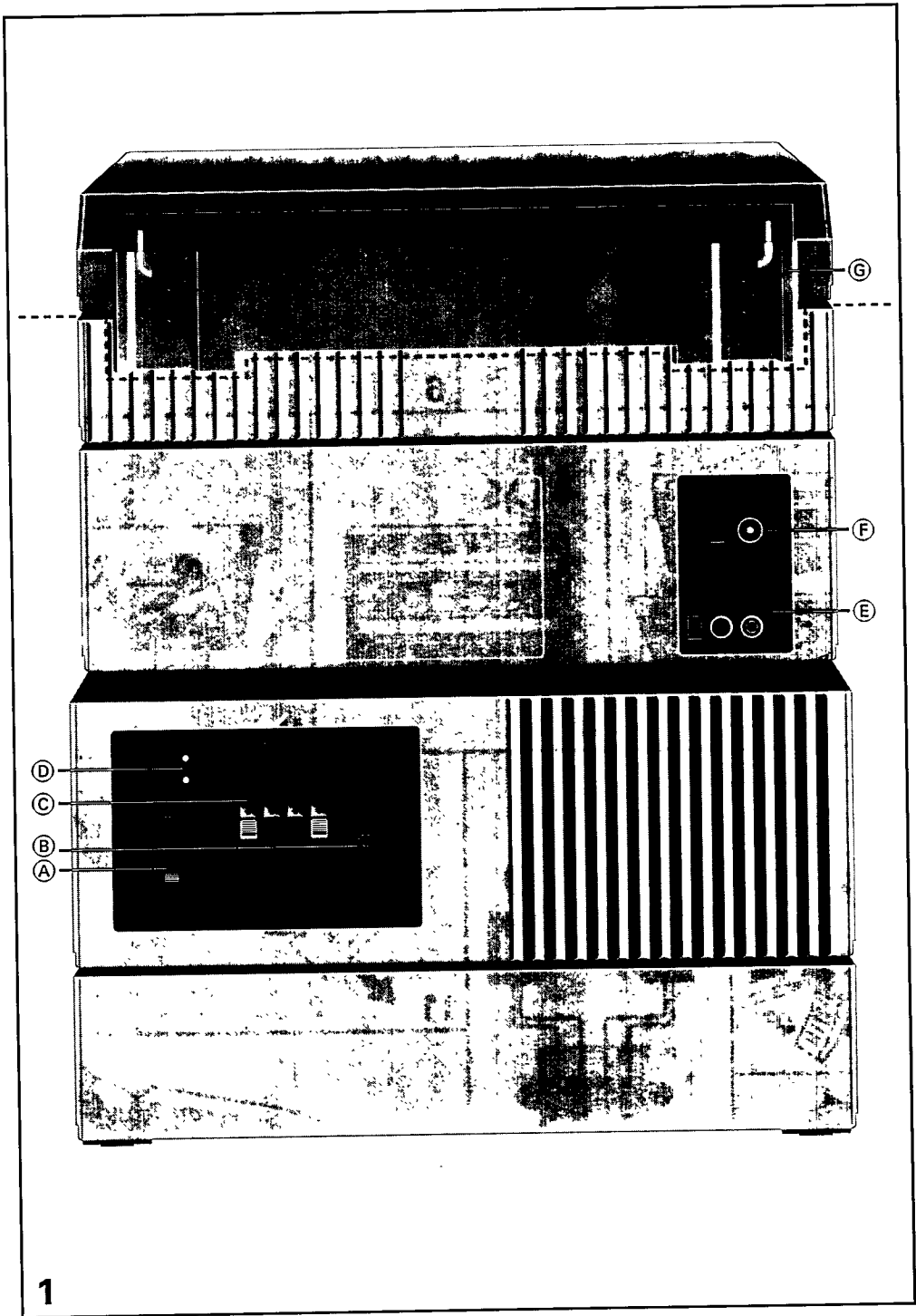
Philips se obliga a reparar y devolver a usted su aparato en un plazo no mayor de 30 días hábiles contados a partir de la fecha de haber ingresado su aparato a uno de nuestros talleres.

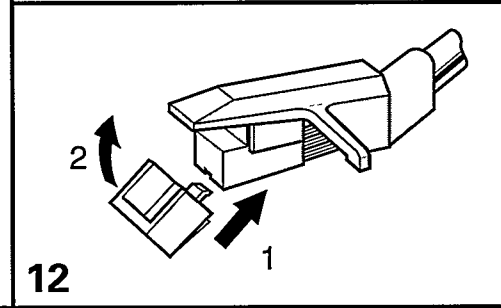
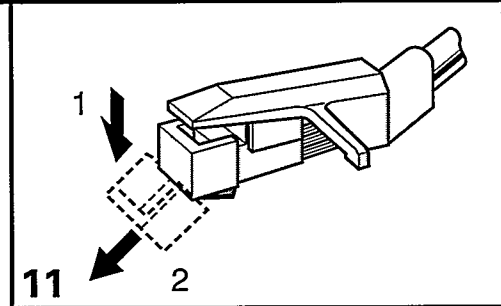
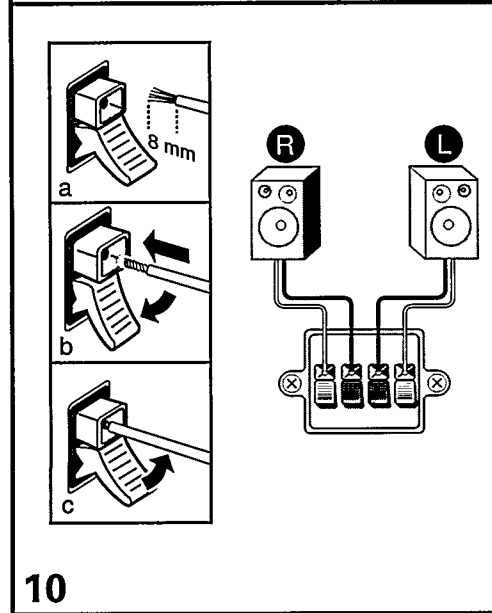
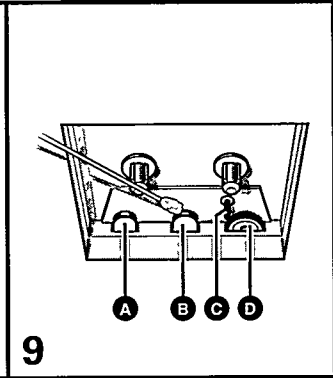
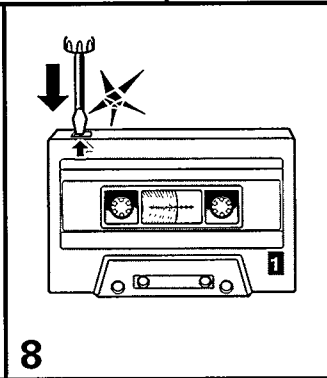
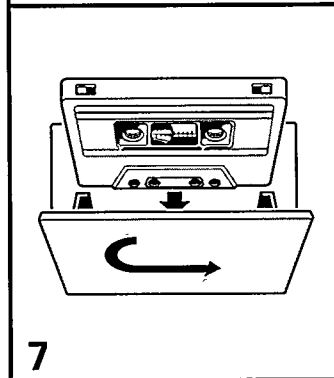
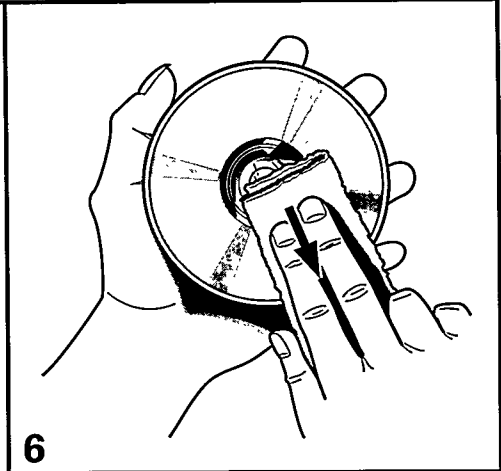
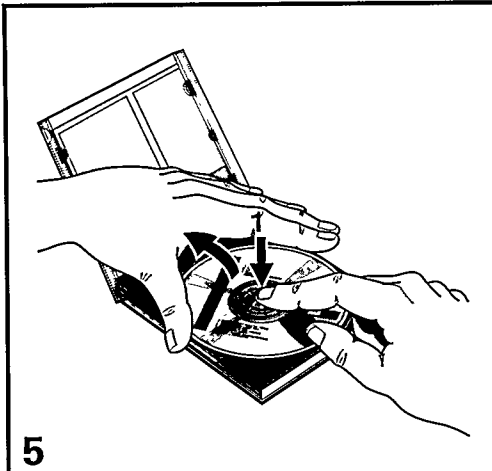
Para que esta garantía sea válida, es necesario que el certificado que figura en la parte posterior de este instructivo haya sido debidamente llenado en el momento de la compra del aparato. En caso de extravío del certificado con la presentación de la factura o remisión de su aparato podrá hacer efectiva la garantía correspondiente.

Si usted tiene alguna duda o pregunta que no le pueda solucionar su distribuidor, por favor ponerse en contacto con:

**Oficinas Centrales de Servicio,
Av. Coyoacán No. 1051,
Col. del Valle,
03100 México, D.F.**

☎ 5-75-20-22 o 5-75-01-00





AS 650 / AS 655



Free Manuals Download Website

<http://myh66.com>

<http://usermanuals.us>

<http://www.somanuals.com>

<http://www.4manuals.cc>

<http://www.manual-lib.com>

<http://www.404manual.com>

<http://www.luxmanual.com>

<http://aubethermostatmanual.com>

Golf course search by state

<http://golfingnear.com>

Email search by domain

<http://emailbydomain.com>

Auto manuals search

<http://auto.somanuals.com>

TV manuals search

<http://tv.somanuals.com>