

Always there to help you

Register your product and get support at
www.philips.com/welcome



TCI360/12



User manual

PHILIPS

Contents

1 Important	2
Safety	2
Compliance	2
Care of the environment	2
Notice	3

2 Your docking speaker	3
Introduction	3
What's in the box	3
Overview of the main unit	4

3 Prepare	4
Connect power	4
Adjust brightness	4

4 Play	5
Listen to the iPod/iPhone	5
Adjust volume	5
Compatibility	5
Charge the iPod/iPhone	6
Play from an external device	6

5 Specifications	7
Amplifier	7
General information	7

6 Troubleshooting	8
--------------------------	----------

1 Important

Before using your product, read all accompanying safety information.

Safety



Warning

- Never remove the casing of this apparatus.
 - Never lubricate any part of this apparatus.
 - Never place this apparatus on other electrical equipment.
 - Keep this apparatus away from direct sunlight, naked flames or heat.
 - Ensure that you always have easy access to the power cord, plug or adaptor to disconnect the apparatus from the power.
-
- Only use attachments/accessories specified by the manufacturer.
 - For applicable power supplies see user instructions.
 - The product shall not be exposed to dripping or splashing.
 - Do not place any sources of danger on the product (e.g. liquid filled objects, lighted candles).
 - Where the plug of the Direct Plug-in Adapter is used as the disconnect device, the disconnect device shall remain readily operable.

Compliance



This product complies with the radio interference requirements of the European Community.

A copy of the EC declaration of Conformity is available in the Portable Document Format (PDF) version of the user manual at www.philips.com/support.



Note

- The type plate is located on the bottom of the product.

Care of the environment

Environmental information

All unnecessary packaging has been omitted. We have tried to make the packaging easy to separate into three materials: cardboard (box), polystyrene foam (buffer) and polyethylene (bags, protective foam sheet.)

Your system consists of materials which can be recycled and reused if disassembled by a specialized company. Please observe the local regulations regarding the disposal of packaging materials, and old equipment.



Your product is designed and manufactured with high quality materials and components, which can be recycled and reused.



When this crossed-out wheeled bin symbol is attached to a product it means that the product is covered by the European Directive 2002/96/EC.

Please inform yourself about the local separate collection system for electrical and electronic products.

Please act according to your local rules and do not dispose of your old products with your normal household waste. Correct disposal of your old product helps to prevent potential

negative consequences for the environment and human health.

Notice



“Made for iPod,” and “Made for iPhone,” mean that an electronic accessory has been designed to connect specifically to iPod or iPhone, respectively, and has been certified by the developer to meet Apple performance standards. Apple is not responsible for the operation of this device or its compliance with safety and regulatory standards. Please note that the use of this accessory with iPod or iPhone may affect wireless performance.

iPod and iPhone are trademarks of Apple Inc., registered in the U.S. and other countries.

2 Your docking speaker

Congratulations on your purchase, and welcome to Philips! To fully benefit from the support that Philips offers, register your product at www.philips.com/welcome.

If you contact Philips, you will be asked for the model and serial number of this apparatus. The model number and serial number are on the bottom of the apparatus. Write the numbers here:

Model No. _____

Serial No. _____

Introduction

With this docking speaker, you can:

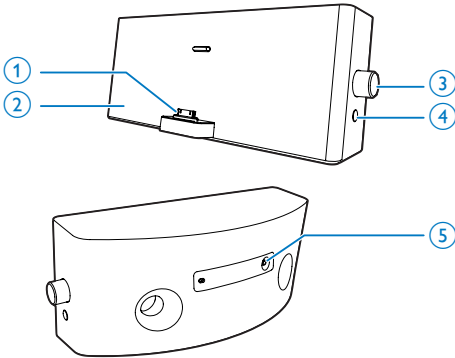
- Listen music on your iPod/iPhone.
- Enjoy audios from an external device
- View the time.

What's in the box

Check and identify the contents of your package:

- Main unit
- Short user manual

Overview of the main unit



- ① Dock for iPod/iPhone
- ② Display panel
- ③ VOL/ ▶ ||

 - Rotate to adjust volume.
 - Press to pause/restart play.

- ④ ☀

 - Press to adjust the brightness of the display panel.

- ⑤ AUDIO IN

 - Connect an external audio device.

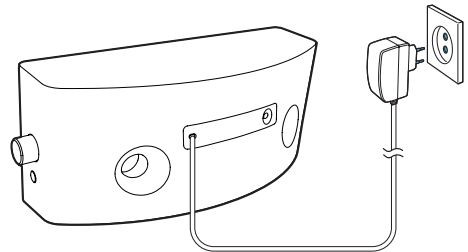
3 Prepare

Always follow the instructions in this chapter in sequence.

Connect power

! Caution

- Risk of product damage! Make sure that the power supply voltage matches the voltage printed on the bottom of the unit.
- Risk of electric shock! When you unplug the AC adaptor, always pull the plug from the socket. Never pull the cord.
- Before you connect the AC adaptor, make sure that you have completed all the other connections.



Connect the AC power cord to the wall power socket.

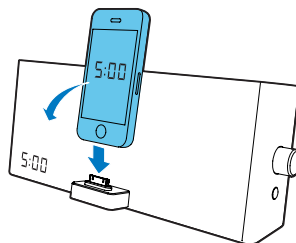
Adjust brightness

To adjust the brightness of display panel, press ☀ repeatedly.

4 Play

Listen to the iPod/iPhone

- 1 Load your iPod/iPhone.



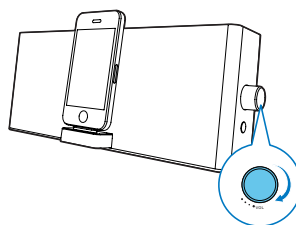
- 2 Play your iPod/iPhone.

Note

- The device synchronizes the time from your iPod/iPhone automatically when iPod/iPhone is docked.

Adjust volume

Rotate **VOL** to adjust volume.



Compatibility

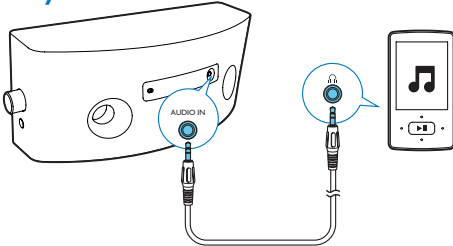
Made for Apple iPod models with 30-pin dock connector as follows:

- iPod touch (4th generation)
- iPod touch (3rd generation)
- iPod touch (2nd generation)
- iPod touch (1st generation)
- iPod nano (6st generation)
- iPod nano (5th generation)
- iPod nano (4th generation)
- iPod nano (3rd generation)
- iPod nano (2nd generation)
- iPod nano (1st generation)
- iPod mini
- iPod classic
- iPod with video
- iPod with color display
- iPhone 4S
- iPhone 4
- iPhone 3GS
- iPhone 3G
- iPhone

Charge the iPod/iPhone

When the system is connected to power, the docked iPod/iPhone begins to charge.

Play from an external device



Connect the MP3 link cable (not supplied) to:

- the **AUDIO IN** socket on the back of unit.
- the headphone socket on an external audio device.

5 Specifications

Amplifier

Rated Output Power	20 W RMS
--------------------	----------

General information

AC Power	MODEL: S018KV1000180 (Philips) Input: 100-240 V ~, 50/60Hz, 500 mA Output: 10,0V = 1800 mA or MODEL: OH-1024A1001800U-VDE (Philips) Input: 100-240 V ~, 50/60Hz, 650 mA Output: 10V = 1.8A
----------	---

Operation Power Consumption	<10 W
-----------------------------	-------

Standby Power Consumption	<1 W
---------------------------	------

Dimensions

- Main Unit (W x H x D)	216 x 102 x 112 mm
-------------------------	--------------------

Weight

- Main Unit	0.68 kg
-------------	---------

6 Troubleshooting



Warning

- Never remove the casing of this apparatus.

To keep the warranty valid, never try to repair the system yourself.

If you encounter problems when using this apparatus, check the following points before requesting service. If the problem remains unsolved, go to the Philips web site (www.philips.com/welcome). When you contact Philips, ensure that the apparatus is nearby and the model number and serial number are available.

No power

- Make sure that the AC power adaptor of the device is connected properly.
- Make sure that there is power at the AC outlet.

No sound

- Adjust the volume.



Specifications are subject to change without notice
© 2013 Koninklijke Philips Electronics N.V.
All rights reserved.

TCI360_12_UM_V2.0



Free Manuals Download Website

<http://myh66.com>

<http://usermanuals.us>

<http://www.somanuals.com>

<http://www.4manuals.cc>

<http://www.manual-lib.com>

<http://www.404manual.com>

<http://www.luxmanual.com>

<http://aubethermostatmanual.com>

Golf course search by state

<http://golfingnear.com>

Email search by domain

<http://emailbydomain.com>

Auto manuals search

<http://auto.somanuals.com>

TV manuals search

<http://tv.somanuals.com>