

# Quick Use and Setup Guide



**PHILIPS**

## Contents

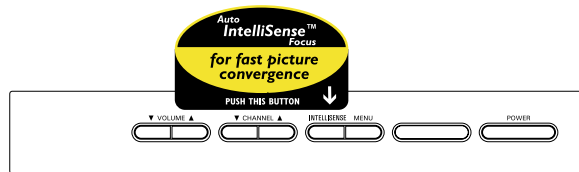
Warning	1
Positioning the TV	1
Making Basic Connections to the TV	1-2
IMPORTANT! Initial TV Setup	3
Using the TV Buttons	3
Using the Remote Control	3-4
Using the On-screen Menu	5
Using the Demo Mode	6
Using the Installation Features	6-7
Using Auto IntelliSense™ to Adjust Picture Convergence	8

**NOTE:** Your Philips projection television has three color picture tubes that are aligned at the factory to make the light beams come together, or converge, on the screen properly. Transporting or moving the TV can cause the tubes to be misaligned. Color fringes or haloes around images in the picture are the result. With Auto IntelliSense™, automatically adjust picture convergence at the push of a button. Auto IntelliSense™ Focus responds to the natural and man-made magnetic field conditions where the projection TV is located, so you can easily enjoy a well-converged picture. See page 8 for details. **NOTE:** You should allow the TV to warm up for at least 20 minutes before making this adjustment.

**WARNING: TO PREVENT FIRE OR SHOCK HAZARD, DO NOT EXPOSE THIS UNIT TO RAIN OR EXCESSIVE MOISTURE.**



As an Energy Star® Partner, Philips Consumer Electronics has determined this product meets the Energy Star® guidelines for energy efficiency. Energy Star® is a U.S. registered mark. Using products with the Energy Star® label can save energy. Saving energy reduces air pollution and lowers utility bills.



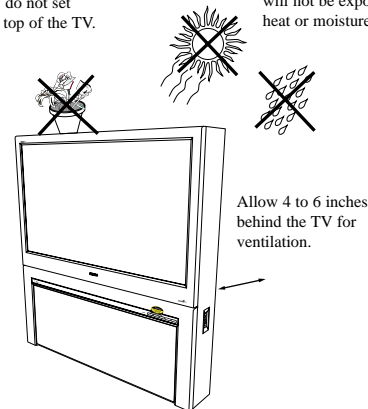
## Positioning the TV

Before connecting accessory devices—VCR, DVD player, or HD receiver, for example—please keep the following in mind:

- Allow 4 to 6 inches of space behind the TV for ventilation.
- Test various locations in the room to find the optimal spot to locate the set for best viewing.
- Do not place the TV in direct sunlight or near a heating appliance.
- Do not expose the TV to rain or moisture.
- To prevent any unsafe situations, do not place objects on top of the TV.

For safety, do not set objects on top of the TV.

Situate the TV where it will not be exposed to heat or moisture.



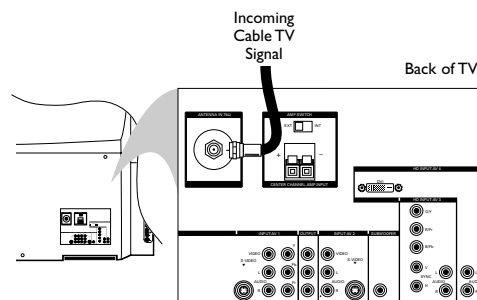
## Making Basic Connections to the TV

**NOTE:** See the Directions for Use manual for more detailed information and more connection examples.

### Cable TV

Connect the cable TV signal to the ANTENNA IN 75Ω jack on the back of the TV. See page 7 for details on using Autoprogram to store channels in the TV's memory.

**NOTE:** This connection will supply stereo sound to the TV if it is being broadcast by the station you are watching.

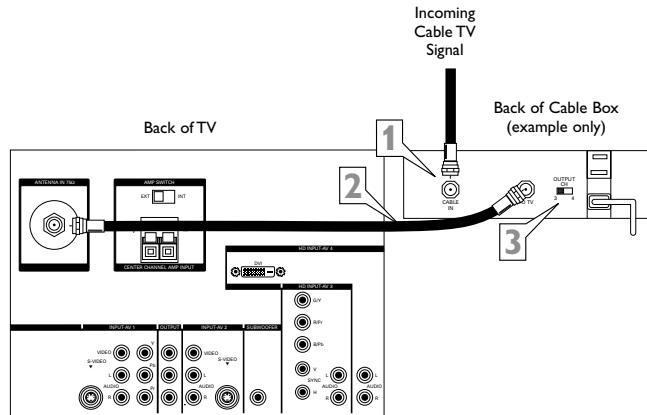


# Making Basic Connections to the TV

## Cable Box with RF IN/OUT

- 1 Connect the incoming cable TV signal to the CABLE IN jack on the back of the cable box.
- 2 Connect a coaxial cable (not supplied) to the TO TV jack on the back of the cable box and to the ANTENNA IN 75Ω jack on the back of the TV.
- 3 Set the Output Channel switch on the back of the cable box to CH 3 or 4 (whichever is correct for your cable box), then tune the TV to the corresponding channel. Once tuned, change channels at the cable box, not the TV.

**NOTE:** This connection will not supply stereo sound to the TV. The reason is that the RF output on a cable box—labeled “TO TV,” “OUT,” or “OUTPUT,” for example—will not send a stereo signal to the tuner (VHF/UHF) input on a TV.



## Cable Box with A/V Outputs

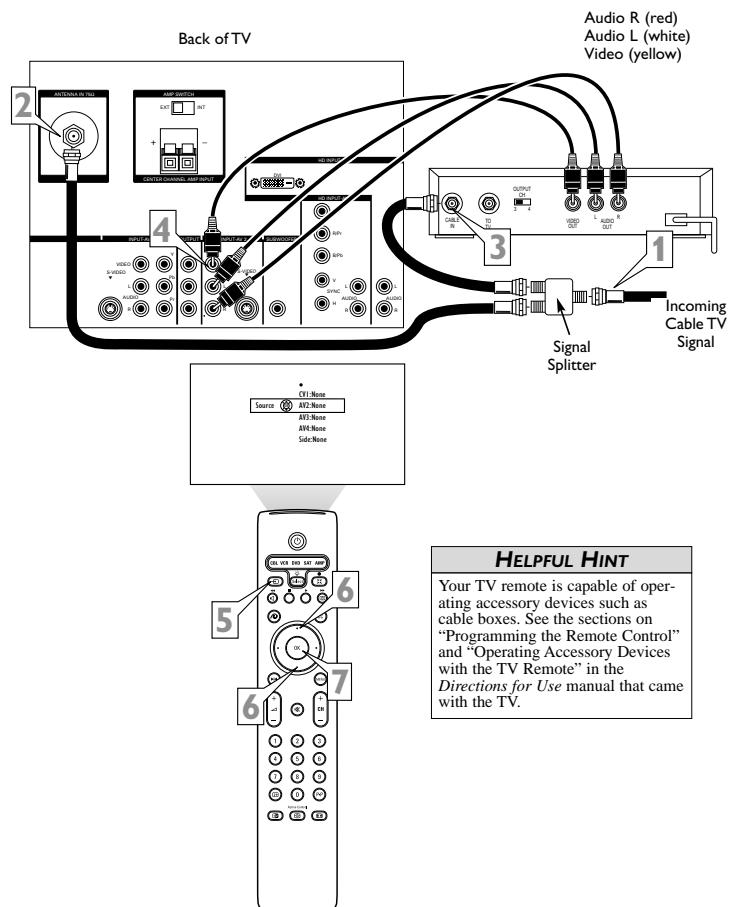
- 1 Connect the incoming cable TV signal to a signal splitter (not supplied).  
The signal splitter enables you to avoid having to use the TO TV jack on the back of the cable box. This jack will not supply stereo sound to the TV.  
**NOTE:** Your cable box may have a different label for the TO TV jack, such as OUTPUT or OUT.
- 2 Connect a coaxial cable (not supplied) to a connector on the signal splitter and to the ANTENNA IN 75Ω jack on the TV.
- 3 Connect a coaxial cable (not supplied) to a connector on the signal splitter and to the CABLE IN jack on the back of the cable box.
- 4 Connect A/V cables (not supplied) to the VIDEO and AUDIO L and R outputs on the back of the cable box and to the AV2 video (labeled V) and audio (labeled L and R) jacks on the back of the TV.
- 5 To view programs from your cable box, first press the Source button on the remote control.
- 6 Press the Cursor Down or Up buttons until the AV2 signal source is selected.
- 7 Press the OK button to confirm your selection. The AV2 input source becomes current for the viewing of cable TV programs through your cable box.

**NOTE:** If your cable box Audio/Video outputs will not supply video and stereo audio to the TV, you will need to make the connection shown above in the example “Cable Box with RF IN/OUT.”

### Watching Cable TV Programs That Don't Require the Cable Box

Since you've connected the cable TV signal directly to the TV's tuner (step 2 above), you can also watch the unscrambled programs by simply tuning to the desired channel. You must first use Autoprogram, however, to store channels in the TV's memory. See page 7.

**NOTE:** This connection will supply stereo sound to the TV if it is being broadcast by the station you are watching.



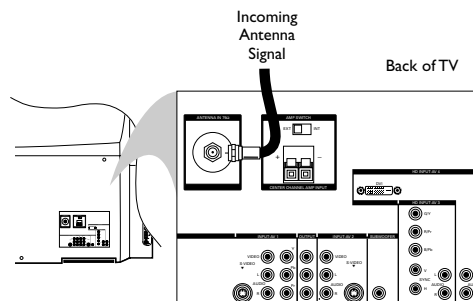
### HELPFUL HINT

Your TV remote is capable of operating accessory devices such as cable boxes. See the sections on “Programming the Remote Control” and “Operating Accessory Devices with the TV Remote” in the *Directions for Use* manual that came with the TV.

## Antenna

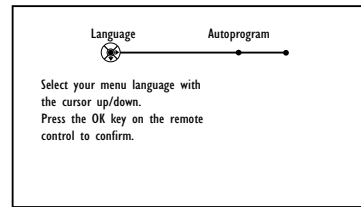
Connect the incoming antenna signal to the ANTENNA IN 75Ω jack on the back of the TV. See page 7 for details on using Autoprogram to store channels in the TV's memory.

**NOTE:** This connection will supply stereo sound to the TV if it is being broadcast by the station you are watching.



# IMPORTANT! Initial TV Setup

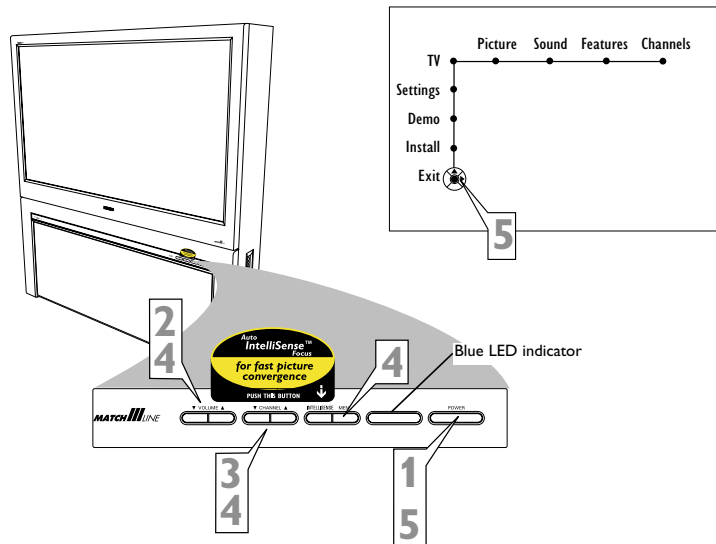
When you turn on your TV for the first time it will prompt you to enter some setup information about Language preference and Channel programming. See page 6-7, "Using the Installation Features" in this Quick Use and Setup Guide for more information about these menus.



## Using the TV Buttons

Your television has a set of buttons located on the front of the cabinet for use when the remote control is not needed or unavailable.

- 1 Press the Power button to turn the TV on.
- 2 Press the VOLUME + (up) button to increase the sound level or the VOLUME - (down) button to lower the sound level. Or use the buttons to navigate right or left when the on-screen menu is displayed.
- 3 Press the CHANNEL ▲ (up) or ▼ (down) button to select TV channels. Or use the buttons to navigate up and down when the on-screen menu is displayed.
- 4 To access the on-screen menu, press the MENU button. To navigate the menu, use the VOLUME + (up)/- (down) and CHANNEL ▲ (up)/▼ (down) buttons to navigate the menu as described in the previous steps.
- 5 To remove the menu, Press CHANNEL Down to select Exit. Then press the MENU button,



## Using the Remote Control

### Installing the Batteries

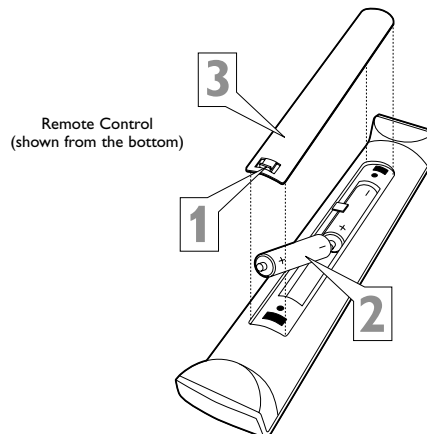
To load the supplied batteries into the remote:

- 1 Remove the battery compartment door on the back of the remote.
- 2 Place the batteries (2-AA) in the remote. Make sure the (+) and (-) ends of the batteries line up correctly (the inside of the case is marked).
- 3 Reattach the battery compartment door.

Be sure to point the remote at the Remote Sensor window on the front of the television when using it to operate the television.

#### HELPFUL HINT

When the batteries in your remote control run low, the remote control will send a "Battery low" command to the TV. The TV will then display a message on the screen reminding you to replace the batteries as soon as possible.



# Using the Remote Control

## Remote Control Buttons

### Select (CBL VCR DVD SAT AMP) and Backlight

Press this button to cycle across the accessory mode dial. Stop pressing when the mode you desire is lighted. The light will stay on for 2 seconds and then begin blinking to indicate the remote is in your desired mode. Once the mode is selected, you must press a button within 60 seconds for the remote to remain in the selected mode or it will default back to the TV mode. Pressing and holding the Select button for 2 seconds backlights the remote control buttons. The buttons remain lighted for 5 seconds after you press Select.

### Source

Press to display a list of source options—TV, AV1, CV1, AV2, AV3, AV4, or Side. If you have labeled the source you desire, press the Source Select button to toggle to the source. If you have not labeled the source, use the Cursor Up/Down buttons to select the source, then press the OK button to confirm.

### Alternate Audio (SAP)

When you tune to a channel where SAP (Second Audio Program) is available, you can toggle between Main and SAP. If SAP is not available, the Alternate Audio menu item cannot be selected. (See page 43 in the *Directions for Use* manual.)

### Pixel Plus™ Demo

Press to activate the demo, which illustrates the benefits of Pixel Plus™. Press and the TV screen will be divided in half displaying the Pixel Plus™ Demo. The left side will show the picture with Pixel Plus™ switched off. The right side of the screen will show the picture with Pixel Plus™ switched on. Press the Pixel Plus™ button again to turn the demo off. (See page 31 in the *Directions for Use* manual.)

### OK

Press to activate or confirm menu choices.

### Freeze Format

Pressing will apply one of the Freeze modes you set using the on-screen menu. See page 62 in the *Directions for Use* manual.

**Freeze** mode stops action in the main screen. Sound will continue to be heard. Press again to resume normal viewing.

**Replay** mode displays a few seconds of stored video in the PIP window.

**Photo Finish** mode displays six stored frames from the picture.

**NOTE:** Continuing to hold the Freeze Format button down will cycle the TV through the Freeze modes: Freeze, Replay, and Photo Finish.

### VOL (Volume)

Press + or – to adjust the volume.

### Mute

Press to interrupt or restore sound.

### Information Plus+

Press to show information (when available) about the current channel, program, source, number or name, local time, CC availability, SAP availability, program ratings, display format, sound mode, and remaining length of a Sleep timer setting.

### Dual Screen/PIP (Picture-in-Picture)

Press to turn the PIP dual screen on or off. Continuing to hold the Dual Screen/PIP button down will cycle through the Dual Screen/PIP options. (See page 61 in the *Directions for Use* manual.)

### Standby-On

Press to turn the TV on or off.

**NOTE:** The TV is never really powered off completely unless it is physically unplugged from the power source.

### Surround Sound

Press to display and toggle a list of available sound modes. Choose from Incredible Surround™ and Dolby® Virtual settings. (See page 42 in the *Directions for Use* manual.)

### VCR Functions

When the remote is in the VCR mode, these buttons will allow you start a recording (●), rewind a tape (◀◀), stop the playback of a tape (■), play a videotape (▶), or fast-forward a videotape (▶▶).

### Time Display

Press to display the current time on the TV screen.

### CC (Closed Captioning)

Press to toggle Closed Captioning off, on, or on during mute. (See page 64 in the *Directions for Use* manual.)

### Cursor Up, Down, Right, Left

Use to navigate the on-screen menu and make control adjustments or settings.

Additionally, use these buttons to pan the screen up or down to show any excluded parts of the picture. Left or right panning is possible with the Side input source when "Game" is selected as the type of source for the Side input.

Also use with the Dual Screen/PIP feature to select a screen, as well as resize or reposition a PIP screen. (See page 61 in the *Directions for Use* manual.)

### Menu On/Off

Press to display the TV's on-screen menu or to turn it off.

### CH (Channel Selection)

Press to browse through the TV channels. If you press and hold the channel will change slowly for five channels, then rapidly scroll through the channels. Release the button to stop.

### Digit (Number Buttons)

Press to directly access a specific TV channel. For a two- or three-digit channel, enter all numbers. Press a single-digit button and hold a bit longer to directly access a single-digit channel. These buttons can also be used to enter values in certain on-screen menu controls.

### P-IP (AutoSurf™)

If you set the Surf control in the TV's on-screen menu to two channels, this button will allow you to toggle between the current channel and the last viewed channel. If you choose the nine-channel Surf, pressing this button allows you to access the Surf list, where you can add, remove, and scroll up to nine of your favorite channels. See page 59 in the *Directions for Use* manual.

### Picture Format

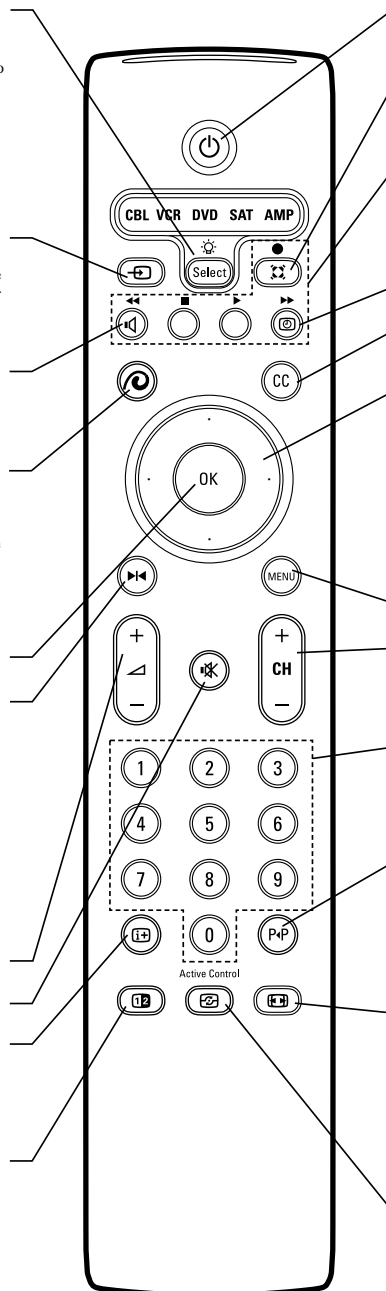
Press to display a list of available picture formats for showing video images in the traditional 4:3 proportions. Press this button repeatedly to select a picture format. Choose from Automatic, Super zoom, Panoramic, 4:3, Movie expand 14:9, Movie expand 16:9, 16:9 subtitle, and Wide screen. See pages 35–36 in the *Directions for Use* manual.

**NOTE:** To switch between a full or 4:3 letterbox picture format in Dual Screen mode, press the Picture Format button.

### Active Control Plus™

**NOTE:** Active Control™ Plus is not available for use with the AV3 and AV4 input sources.

Press to display the Active Control Plus™ screen. With the "Active Control" submenu selected, press the Cursor Up or Down button to select Off, Minimum, Medium, or Maximum. Maximum is the recommended option. Press the Cursor Right button to select the "Auto Picture" or "Active Display" submenus, then press the Cursor Up or Down buttons to make selections. See pages 27–29 in the *Directions for Use* manual.



Active Control Plus, AutoSurf, Incredible Surround, and Pixel Plus are trademarks of Philips Consumer Electronics. Copyright 2003 Philips Consumer Electronics. All rights reserved.

\*Manufactured under license from Dolby Laboratories. "Dolby" and the double-D symbol are trademarks of Dolby Laboratories.

# Using the On-screen Menu

The TV's on-screen menu controls are viewed within a mobile map or pipe system. This system allows you to move along linked paths tied to specific Feature Title categories ("TV," "Picture," "Sound," "Features," and "Channels"). Each press of a Cursor button on the remote moves the cursor control to balls indicating specific controls. Each specific control may have multiple features that can be adjusted or set. The animated on-screen menu structure will expand to show all available on-screen controls. As it expands, it will display a series of balls grouped together to reveal more controls.

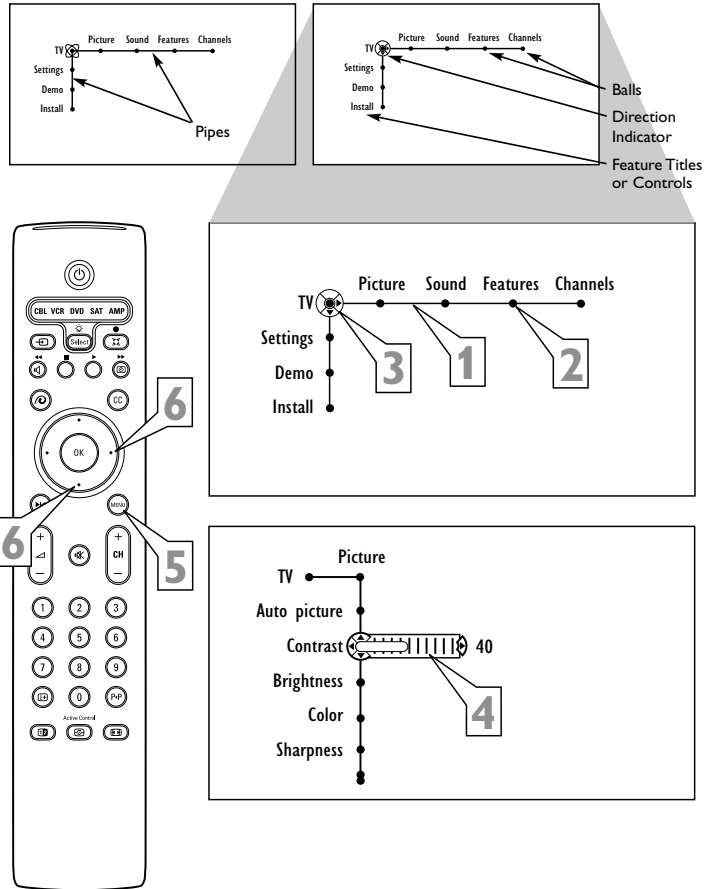
- 1** Pipes represent the structure of the on-screen menu. They tie all the controls together and show the path you can follow to access the available controls.
- 2** Balls indicate the titles of features or controls available on this television. When highlighted, some of these controls may show more Pipes and Balls, indicating subcategories or lists of controls within the highlighted control. These subcontrols will also have Pipes and Balls.
- 3** The Direction Indicator tells you which way movement may take place within the on-screen menu. The arrows on the Direction Indicator simulate the Cursor buttons on the remote control (Up, Down, Left, or Right).
- 4** The Slider controls will be displayed on some features, allowing adjustments to the values. Some may show a box containing a list of multiple options settings. Others may have only an "On" or "Off" option.
- 5** To navigate the on-screen menu, start by pressing the Menu button on the remote control. This will display the on-screen menu in its starting position.
- 6** Press the Cursor Down button to select any of the Setting, Demo, or Install controls. Starting from the TV item, press the Cursor Right button on the remote control to select any of the Picture, Sound, Features, or Channel controls.

This publication contains details on "Using the Demo Mode," "Using the Installation Features," and "Using Auto IntelliSense™ to Adjust Picture Convergence." Refer to the *Directions for Use* manual for all other control descriptions (Picture, Sound, Features, Channels, or Settings).

## HELPFUL HINT

Pressing the Menu button once will display the on-screen menu. Pressing the Menu button any time the on-screen menu is displayed will remove the on-screen menu from the TV screen.

The first time you turn on the TV after purchasing it, it will be in a special mode designed to inform you that you can change the menu language and on-screen displays to English, French, or Spanish. Also included in this mode is Autoprogram to encourage you to have the set program channels into the TV's memory. For more details on the Language and Autoprogram features, see pages 6 and 7.

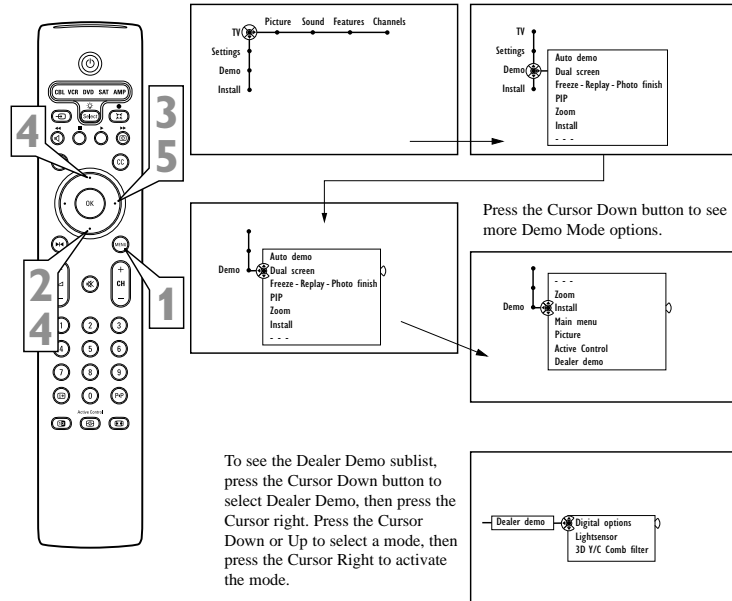


## Using the Demo Mode

Several features of this television can be placed in a demo mode, which will show you how a feature works. Auto Demo will automatically show all the feature demos one after another except for the Dealer Demo mode. Specific demo modes can be selected from the list of options within the Demo control (Auto demo, Dual screen, PIP, and Install, for example).

The Dealer Demo also has a sublist of the following options: Digital options, Lightsensor, and 3D Y/C Comb filter.

- 1** Press the Menu button on the remote control to show the on-screen menu.
- 2** Press the Cursor Down button repeatedly until "Demo" is selected.
- 3** Press the Cursor Right button to shift the menu to display the list of Demo mode options.
- 4** Press the Cursor Down or Up button to select a Demo mode option.
- 5** Press the Cursor Right button to activate the Demo.



## Using the Installation Features

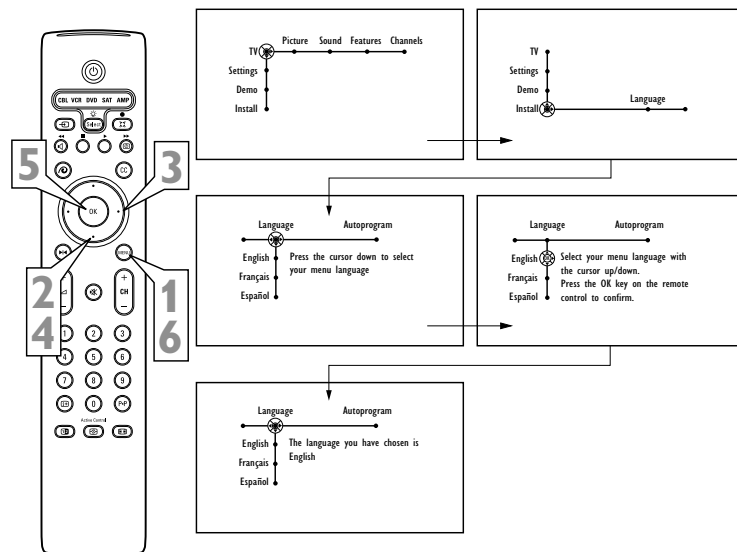
### Language

For Spanish- and French-speaking TV owners, an on-screen Language option is present. The Language control enables you to set the TV's on-screen menu to be shown in English, Spanish, or French.

**IMPORTANT!** When you plug in your TV for the first time it will prompt you to set the Language and Autoprogram the channels.

If you are setting up the TV after turning it on for the first time, skip steps 1-3. If you are returning to the Language menu, use steps 1-3 below.

- 1** Press the MENU button on the remote control to show the on-screen menu.
- 2** Press the Cursor Down button repeatedly until "Install" is selected.
- 3** Press the Cursor Right button to shift the menu to the left and select "Language."
- 4** Press the Cursor Down button to select English, Español (Spanish), or Français (French).
- 5** After you have made your language selection, press the OK button to confirm your selection.
- 6** Press the MENU button to remove the on-screen menu from the TV screen.



### HELPFUL HINT

Remember, the Language control makes only the TV's on-screen Menu items appear in English, Spanish, or French text. It does not change the other on-screen text features, such as Closed Captioning (CC), with TV shows.

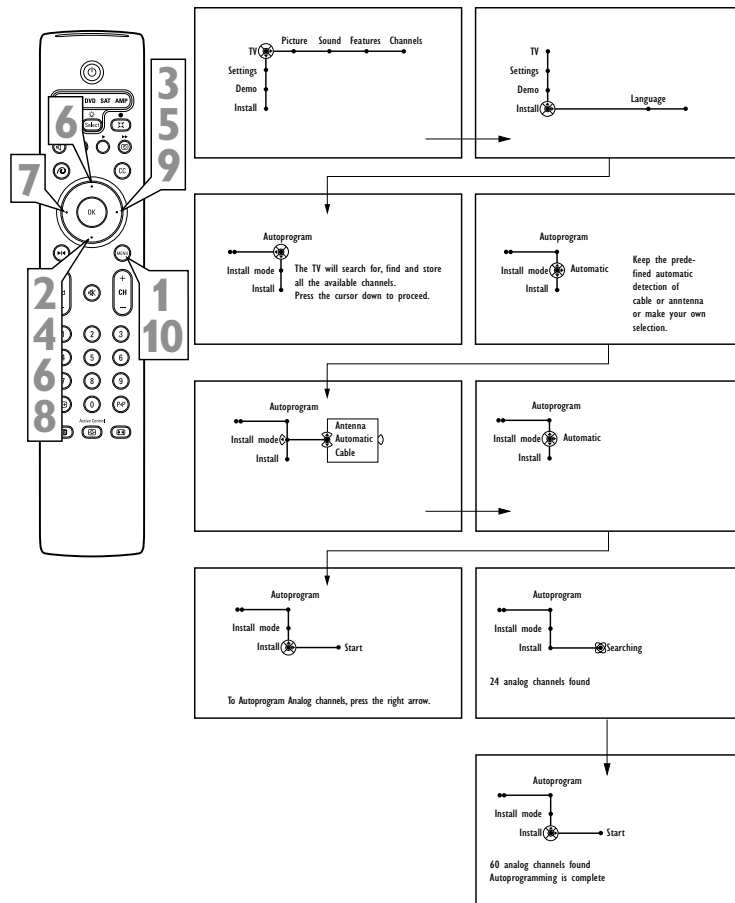
# Using the Installation Features

## Autoprogram

Your TV can automatically set itself for local area (or cable TV) channels. This makes it easy for you to select only the TV stations in your area by pressing the CH + or - button on the remote control

**IMPORTANT!** When you plug in your TV for the first time it will prompt you to set the Language and Autoprogram the channels. If you are setting up the TV after turning it on for the first time, skip steps 1-3. If you are returning to the Autoprogram menu, use steps 1-3 below..

- 1** Press the MENU button on the remote control to show the on-screen menu.
- 2** Press the Cursor Down button repeatedly until "Install" is highlighted.
- 3** Press the Cursor Right button repeatedly to shift the menu to the left and select "Autoprogram."
- 4** Press the Cursor Down button to select the "Install" mode control.
- 5** Press the Cursor Right button to display a list of Install mode options: "Antenna," "Automatic," "Cable."
- 6** Press the Cursor Up or Down button to select one of the options. Select "Antenna" for normal outside- or inside-type antenna. Select "Cable" for a cable-company-supplied signal. When "Automatic" is selected, the TV will automatically set the mode based on the type of signal it detects coming into the TV. The programming process may be faster if you choose the specific type of connection you have made, either Antenna or Cable.
- 7** Press the Cursor Left button after making your "Install" mode selection.
- 8** Press the Cursor Down button to select "Install."
- 9** Press the Cursor Right button to start the programming process. After programming is finished, the set will go to the first channel found.
- 10** Press the Menu button to remove the on-screen menu from the TV screen when the Autoprogramming process has finished.

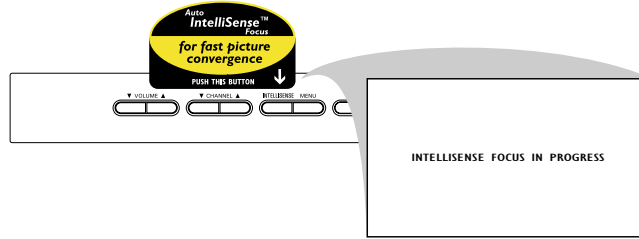


### HELPFUL HINT

After Autoprogram is finished, check the results. Press the CH (+) or (-) button on the remote control to see which channels you can select.

# USING AUTO INTELLISENSE™ TO ADJUST PICTURE CONVERGENCE

Your Philips television has three color picture tubes that are aligned at the factory to properly bring the projected light beams together on screen. Transporting or moving the TV, however, can cause misalignment, which results in the appearance of color fringes or haloes around images on screen. You can easily correct this using the Auto IntelliSense™ feature. Allow the TV to warm up for 20 minutes, then press the IntelliSense button on the front of the TV. Within a few moments, picture convergence will be adjusted.

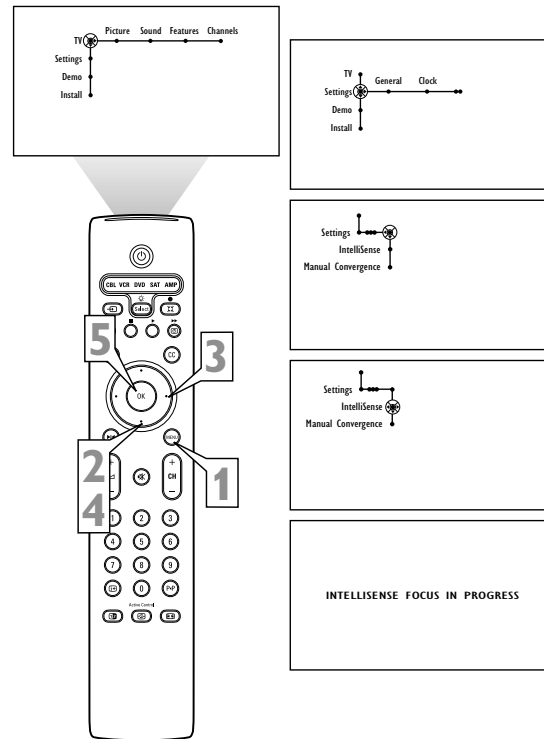


You can also set Auto IntelliSense™ in motion through the on-screen menu:

- 1** Press the MENU button on the remote control to show the on-screen menu.
- 2** Press the Cursor Down button to select "Settings."
- 3** Press the Cursor Right button to select "General."
- 4** Press the Cursor Down button repeatedly until "IntelliSense" is selected.
- 5** Press the OK button to activate Auto IntelliSense™. In a few moments the picture will be converged.

## HELPFUL HINT

If you would like, you can make additional convergence adjustments to suit your personal preferences or to further fine-tune the picture. To do this, use the Manual Convergence controls in the Settings, General menu. See the Directions for Use manual for details.





## Free Manuals Download Website

<http://myh66.com>

<http://usermanuals.us>

<http://www.somanuals.com>

<http://www.4manuals.cc>

<http://www.manual-lib.com>

<http://www.404manual.com>

<http://www.luxmanual.com>

<http://aubethermostatmanual.com>

Golf course search by state

<http://golfingnear.com>

Email search by domain

<http://emailbydomain.com>

Auto manuals search

<http://auto.somanuals.com>

TV manuals search

<http://tv.somanuals.com>