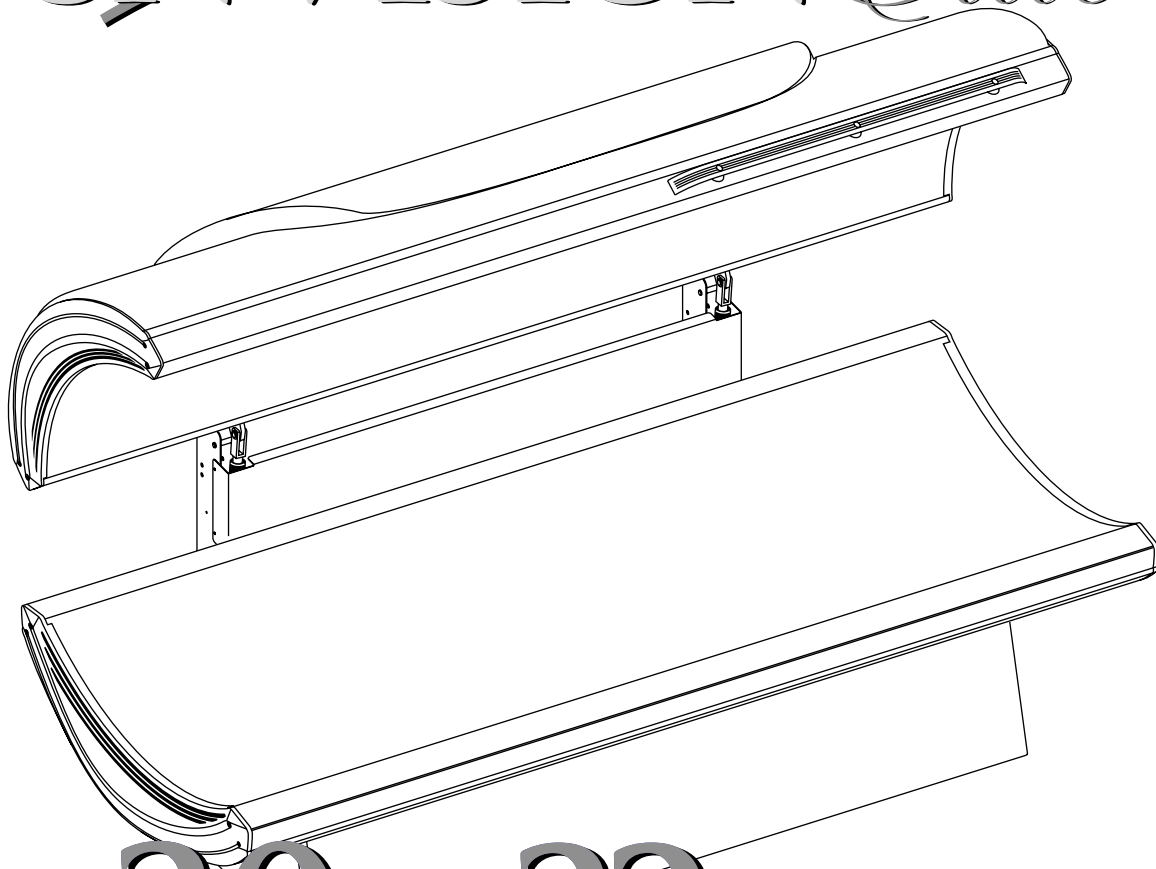


SUNVISION *Elite*™



30 & 32 series USER MANUAL

27964-01A

24 MONTH "SILVER MEDAL" WARRANTY

Your ETS Distributor (including ETS, LLC if purchased directly), through a manufacturer's warranty, warrants your tanning unit to be free of structural defects in material and workmanship, under normal use, for its lifetime. Your ETS Distributor will, at its discretion, repair any structural defect which materially affects the performance of the tanning unit, or replace the tanning unit.

For twenty-four (24) months following the purchase date of your tanning unit, your ETS Distributor will provide replacements for parts that prove to be defective in material or workmanship, with the following exceptions: gas springs and ballasts are warranted against manufacturer's defects for a period of one (1) year; lamp starters and cracked or broken endcaps are warranted against manufacturer's defects for a period of ninety (90) days; fluorescent lamps are warranted against manufacturer's defects for a period of thirty (30) days; acrylics are warranted against manufacturer's defects for a period of six (6) months (prorated) following the purchase date of your tanning unit. Shipping charges will be covered during the first sixty (60) days following the purchase date.

Your ETS Distributor (including ETS, LLC if purchased directly), also extends to you a two (2) year parts warranty on all T-Max® remote system components. External voltage transformers (buck-boosters) are covered by a one (1) year parts and labor warranty, provided you send back the defective transformer.

Labor costs associated with repair or replacement work covered by this warranty will be reimbursed for repair or replacement work required to be performed for a period of sixty (60) days following the purchase date of your tanning unit. Normal wear and tear, damage from misuse or abuse, damage incurred in transit or damages resulting from unauthorized repairs or modifications are not covered by this warranty. Warranty coverage does not include cosmetic abnormalities such as scratches, nicks, dents, or other cosmetic changes that do not materially interfere with the function of the tanning unit.

THIS 24 MONTH "SILVER MEDAL" WARRANTY IS EXPRESSLY MADE IN LIEU OF ANY OTHER WARRANTIES, EXPRESS OR IMPLIED, INCLUDING ANY IMPLIED WARRANTIES OF MERCHANTABILITY AND FITNESS FOR A PARTICULAR PURPOSE, WHICH ARE HEREBY DISCLAIMED. No one has the authority to change or modify this 24 Month "Silver Medal" Warranty in any respect. To obtain service under this 24 Month "Silver Medal" Warranty, contact your authorized ETS Distributor (or ETS, LLC if purchased directly). Proof of purchase, including serial number, is required.

IN NO EVENT SHALL YOUR DISTRIBUTOR OR THE MANUFACTURER BE LIABLE AT LAW OR IN EQUITY FOR ANY LOSS, LIABILITY, DAMAGE OR EXPENSE IN AN AMOUNT IN EXCESS OF THE PURCHASE PRICE RECEIVED, OR FOR LOSS OF USE OR PROFITS, LOSS OF TIME, INCONVENIENCE, RENTAL OR SUBSTITUTE PRODUCTS, LOSS OF BUSINESS, LOSS OF INCOME, OR ANY OTHER INCIDENTAL, INDIRECT, SPECIAL OR CONSEQUENTIAL DAMAGES. Some states do not allow the exclusion or limitation of incidental or consequential damages, and the above limitation or exclusion will not apply to residents of some states. This 24 Month "Silver Medal" Warranty gives you specific, legal rights and you may have other rights which may vary from state to state.

All warranty service must be performed by an authorized service person using only ETS authorized replacement parts. Use of non-authorized parts may void your warranty. All labor charges must be authorized by your ETS Distributor prior to the start of repairs and must not exceed the established rates and time allotment policies established by your ETS Distributor. If your tanning unit must be returned for service within thirty (30) days from the purchase date, freight charges will be paid for by your ETS Distributor, after which all freight charges shall be at your expense. Contact your ETS Distributor for the authorized Service Center nearest you. This warranty is serial number specific and only applies to tanning units purchased through an authorized ETS Distributor. This warranty is extended to the individual or legal entity whose name appears on the original sales document and may not be transferred to any other individual or legal entity. This warranty is void if the tanning unit is modified in any manner from its original design.

To obtain warranty service, contact your place of purchase. Proof of purchase, including serial number, is required for verification. Contact ETS, LLC only if you purchased your equipment directly.

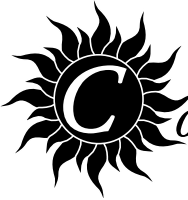
**ETS, LLC 7445 Company Drive, Indianapolis, IN 46237-9296
1-800-449-3605 In Canada call 1-800-661-6292 or 519-421-1212**



Welcome

Congratulations on your purchase of this technologically advanced sun tanning unit. It has been designed to provide years of dependable service.

Please read all the instructions in this booklet before installing and using the unit. Always be sure to observe all safety precautions.

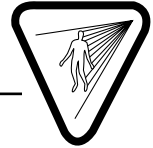


Contents

- Safety Information** **.iii**
- Installation** **1**
 - Unpacking and Inspection 1
 - Tools Required 1
 - Pre-Installation Planning 2
 - Hardware Inventory 3
 - Assembly Procedures 4
 - Electrical Connections 12
 - Remote Connections 13
- Operation** **17**
 - Before You Tan 17
 - Exposure Times 17
 - Using Your Sunbed 18
- Care and Maintenance** **20**
 - Cleaning After Use 20
 - Thorough Periodic Cleaning 20
 - Mechanical Inspection 20
 - Lamp and Acrylic Replacement 21
- Troubleshooting** **24**



Safety Information



LABELING NOTICE: Labels are affixed on all systems to inform the user of possible dangers. Regulations are stated in 21 CFR, Section 1040.20, and require that all products manufactured after September 8, 1986 which use sunlamps must display the following:

DANGER Ultraviolet radiation. Follow instructions. Avoid overexposure. As with natural sunlight, overexposure can cause eye and skin injury and allergic reactions. Repeated exposure may cause premature aging of the skin and skin cancer. **WEAR PROTECTIVE EYEWEAR; FAILURE TO MAY RESULT IN SEVERE BURNS OR LONGTERM INJURY TO THE EYES.** Medications or cosmetics may increase your sensitivity to the ultraviolet radiation. Consult physician before using sunlamp if you are using medications or have a history of skin problems or believe yourself especially sensitive to sunlight. If you do not tan in the sun, you are unlikely to tan from the use of this product. Children, the elderly, or fair skinned people who always burn easily and either never tan or tan minimally should not use this equipment.

To use, lie down under canopy and pull down as far as adjustment will allow maintaining at least 1 inch (2.5 centimeters) between your body and canopy clear plastic panel, otherwise overexposure may occur. Minimum use distance from face tanner (if equipped) is 4 inches (10.2 centimeters). Minimum use distance elsewhere is touching the clear plastic panels. Do not use without clear plastic panels in place. Untanned persons should not tan on consecutive days during their first week of tanning. Never tan more than once a day. Tanning normally appears after the first few sessions and maximizes after approximately four weeks. Tan once or twice per week thereafter to maintain appearance. Persons already having a base tan may begin at advanced levels corresponding to the extent of their base tan.

| RECOMMENDED EXPOSURE TIMES IN MINUTES | | MAXIMUM EXPOSURE TIME IS 20 MINUTES | | | |
|---|------------------------------------|-------------------------------------|---------|---------|-----------------------|
| Skin Type: | Level 1/Week 1 1st-3rd Sessions | Level 2 | Level 3 | Level 4 | Subsequent Maximum |
| I Sensitive Skin (Burns easily and severely and does not tan.) | NOT RECOMMENDED FOR TANNING | | | | |
| II Light (Burns easily and severely and tans minimally.) | 4 | 8 | 12 | 16 | 20 |
| III Normal (Burns moderately and tans average.) | 6 | 10 | 15 | 20 | 20 |
| IV Dark (Burns minimally, tans easily and above average.) | 8 | 12 | 16 | 20 | 20 |

New lamps emit approximately 10% more ultraviolet radiation during the first 50 hours of operation. Recommended tanning times should therefore be reduced by approximately 10% during that period.

WARNING: • Read the instructions booklet before using this sunlamp product. • All persons in the room should wear protective eyewear when lamps are on. Recommended eyewear: provided eyeshields or equivalent eyewear as defined under 21 CFR 1040.20. Other types of eyewear may not provide adequate protection. Failure to use protective eyewear may result in severe burns or other eye injury. If discomfort develops, discontinue use and consult a physician.

ONLY THE FOLLOWING LAMPS HAVE BEEN CERTIFIED FOR USE IN THE 30 AND 32 SERIES:

Velocity® Wolff® Model VEL 71-T12-100W

Heraeus E400 HPT, Philips Model HPA 400/30s or CosmoTech Model 23045 (SolarMax™ IFT facial unit : 30 3F, 32 3F)

DISCONNECT POWER BEFORE ATTEMPTING TO CLEAN, RELAMP, OR ENGAGE IN THE MAINTENANCE OF THIS PRODUCT.

THIS EQUIPMENT MUST BE EARTH GROUNDED.

This product is in conformity with performance standards for sun lamp products under 21 CFR PART 1040.20 and ANSI/UL Standard 482. Certified to CAN/CSA Standard C22.2 NO. 224.





DANGER Rayonnement ultraviolet. Veuillez suivre les instructions. Évitez une exposition excessive. Tout comme pour les rayons du soleil, une exposition excessive peut causer des blessures aux yeux et à la peau et provoquer des réactions allergiques. Une exposition répétée peut causer le vieillissement prématuré de la peau et provoquer le cancer de la peau. **PORTEZ DES LUNETTES PROTECTRICES: LE NON-RESPECT DE CETTE CONSIGNE DE SÉCURITÉ PEUT ENTRAÎNER DE GRAVES BRÛLURES OU DES LÉSIONS OCULAIRES À LONG TERME.** Les médicaments ou les produits cosmétiques peuvent augmenter votre sensibilité au rayonnement ultraviolet. Consultez un médecin avant d'utiliser la lampe solaire si vous prenez des médicaments, si vous souffrez d'une maladie cutanée ou si vous croyez être particulièrement sensible aux rayons du soleil. Si vous ne bronzez pas au soleil, il est peu probable que vous bronzez sous une lampe solaire. Les enfants, les personnes âgées et les personnes qui ont une peau claire qui brûle facilement, ne bronze jamais ou alors très peu, ne devraient pas utiliser cette lampe.

Étendez-vous sous la partie supérieure, puis abaissez celle-ci aussi bas que possible, en veillant cependant à conserver un espace d'au moins 1 pouce (2,5 centimètres) entre le corps et le panneau de plastique transparent de la partie supérieure, afin d'éviter une exposition excessive. La distance minimale d'usage de l'appareil de bronzage pour le visage (si muni) est de 4 pouces (10,2 centimètres). Les autres parties du corps peuvent toucher les panneaux de plastique transparents. N'utilisez pas la lampe sans les panneaux de plastique transparents. La première semaine de bronzage, les personnes qui n'ont pas un hâle initial ne doivent pas se faire bronzer tous les jours. Ne vous faites jamais bronzer plus d'une fois par jour. Le bronzage commence normalement à apparaître après les premières séances : il atteint son apogée au bout d'environ quatre semaines. Les personnes qui ont déjà un teint hâlé peuvent commencer à des niveaux plus élevés, selon l'importance de leur hâle initial.

TEMPS D'EXPOSITION RECOMMANDÉ EN MINUTES LE TEMPS D'EXPOSITION MAXIMAL EST DE 20 MINUTES

| Type de peau: | Élevé 1 1 ^{ère} -3 ^e | Élevé 2 | Élevé 3 | Élevé 4 | Sem. suivantes Temps maximal |
|---|---|---------|---------|---------|---------------------------------|
| I Peau sensible (brûle facilement et ne bronze pas) | NON RECOMMANDÉ | | | | |
| II Peau claire (brûle facilement et bronze très peu) | 4 | 8 | 12 | 16 | 20 |
| III Peau normale (brûle et bronze de façon modérée) | 6 | 10 | 15 | 20 | 20 |
| IV Peau foncée (brûle très peu, bronze plus facilement que la moyenne) | 8 | 12 | 16 | 20 | 20 |

Les lampes neuves émettent approximativement 10 % de plus de rayons ultraviolets au cours des 50 premières heures de fonctionnement. Le temps de bronzage doit donc être réduit d'environ 10 % pendant cette période.

AVERTISSEMENT : • Lisez le livret d'instructions avant d'utiliser cette lampe solaire. • Les autres personnes présentes dans la pièce doivent aussi porter des lunettes protectrices lorsque les lampes sont allumées. Coquilles de protection pour les yeux recommandées: Les coquilles de protection fournies ou l'équivalent, tel que le stipule le document 21 CFR 1040.20. Les autres types de lunettes protectrices peuvent ne pas assurer une protection adéquate. Utilisé sans lunettes protectrices, ce produit peut causer des brûlures ou lésions oculaires graves. Si vous souffrez d'un malaise, arrêtez l'utilisation et consultez un médecin.

SEULES LES LAMPES SUIVANTES ONT ÉTÉ HOMOLOGUÉES POUR CET ÉQUIPEMENT :

Velocity® Wolff® Modèle VEL 71-T12-100W

Heraeus E400 HPT, Philips Modèle HPA 400/30s ou CosmoTech Modèle 23045 (unité faciale : 30 3F, 32 3F)

Débrancher l'alimentation électrique avant de nettoyer l'appareil, d'en faire l'entretien ou de changer les lampes.



Cet équipement doit être mis à la terre.

Ce produit est conforme aux normes de rendement pour les lampes solaires dans le documents 21 CFR, partie 1040.20, ANSI/UL 482, CAN/CSA C22.2 N° 224.

Installation

Unpacking and Inspection

Your sunbed comes in two cardboard cartons, one for the bench and one for the canopy. Open the cartons and remove the bench and canopy as follows.

The bench and canopy are each wrapped in plastic. Pull back the plastic and, with a helper, grasp the bench and pull it from the carton bottom, leaving the plastic wrap and the carton packaging. Do the same for the canopy. **Do not attempt to lift either unit with the plastic still on as it may slip.**

Note! The cartons are reusable. You may wish to save them for future use.

As you unpack your boxes you should find the following:

- Canopy unit
- Bench unit
- Pair of gas springs
- Front skirt panel
- Bag containing necessary assembly hardware, safety goggles, opening handle and pillow
- Gas spring cover panel

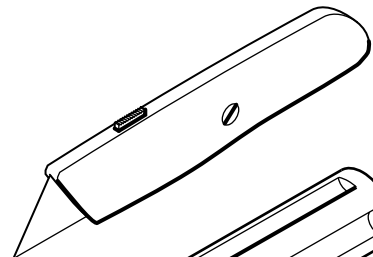
Inspect these items, including the canopy and bench, and make sure they are free from any visible damage. Report the extent of any damage to the transportation company.

Record the serial numbers of the canopy and bench in the area provided at the back of this manual. This information will be required whenever you call customer service.

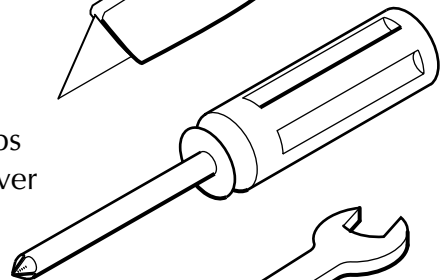
Tools Required

You will need the following tools to assemble your sunbed.

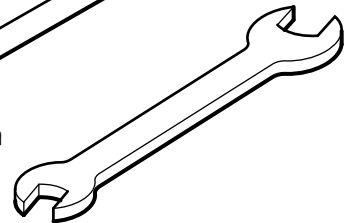
Utility Knife



#2 Phillips Screwdriver



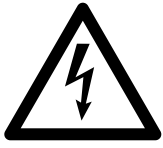
7/16" Wrench





Pre-Installation Planning

Before you begin to assemble your sunbed, you should observe the following considerations.

| | |
|---|---|
|  | ⚠ WARNING |
| | Shock hazard. Disconnect power before servicing. |

| |
|---|
| ⚠ CAUTION |
| Use of a voltage source above 230V AC may prevent proper operation of the sunbed and could cause damage and void the warranty. |

- The SUNVISION Elite™ 30 and 32 series require a dedicated circuit capable of providing **30 Amp** service at **220VAC**. This unit must be hardwired directly to a junction box. We recommend connection by a professional electrician.
- **IMPORTANT!** Voltage must be below 230V AC or may require a Buck Booster.

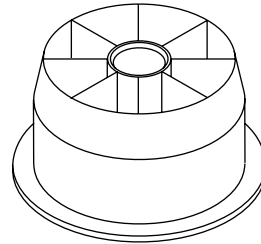
| |
|--|
| ⚠ CAUTION |
| Air from the room is used to cool the sunbed. Maximum ambient room temperature should be 80°F. Place your sunbed no closer than 6" from any wall. Make sure nothing obstructs the airflow into the sunbed's endcaps or out of the fan openings. A poorly ventilated room may cause the unit to become hot and cause discomfort to the user. |

| |
|---|
| ⚠ CAUTION |
| Proper assembly of your sunbed requires three people. Plan to have a couple of helpers assist you. |

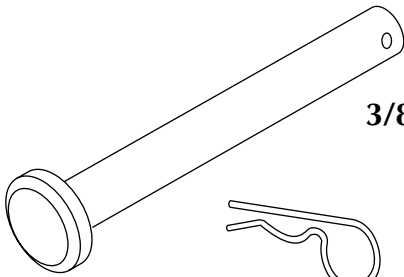


Hardware Inventory

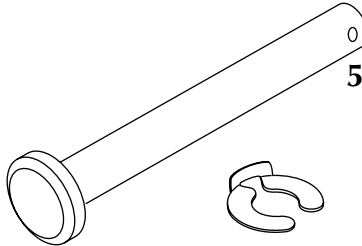
Use the utility knife to cut open the hardware bag. Remove the hardware. Make sure you have the following items.



Nylon Floating Bearing
Quantity 4



Clevis Pin
3/8" x 2 1/64"
Quantity 2



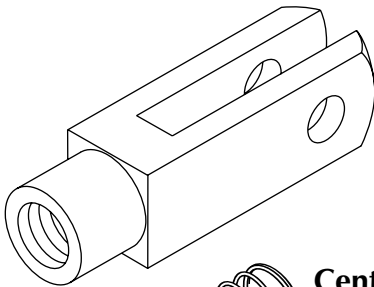
Clevis Pin
5/16" x 2 1/32"
Quantity 2



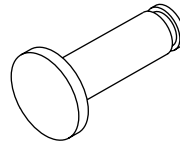
Bridge Pin
Quantity 4



Retaining Ring
Quantity 2



Clevis Fork, M10 Long
Quantity 4



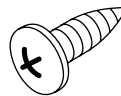
10mm Clevis Pin
Quantity 2



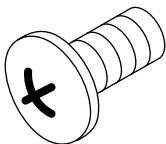
Bronze Bushing
Quantity 2



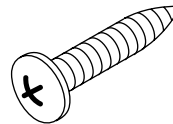
Centering Spring
Quantity 4



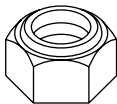
#10 x 1/2" Screw, Blue Head
Quantity 8



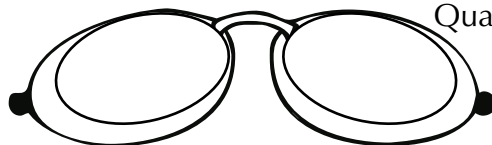
1/4-20 x 1/2" Machine Screw
Quantity 8



#10 x 1" Screw
Quantity 3



1/4-20 Locknut
Quantity 8



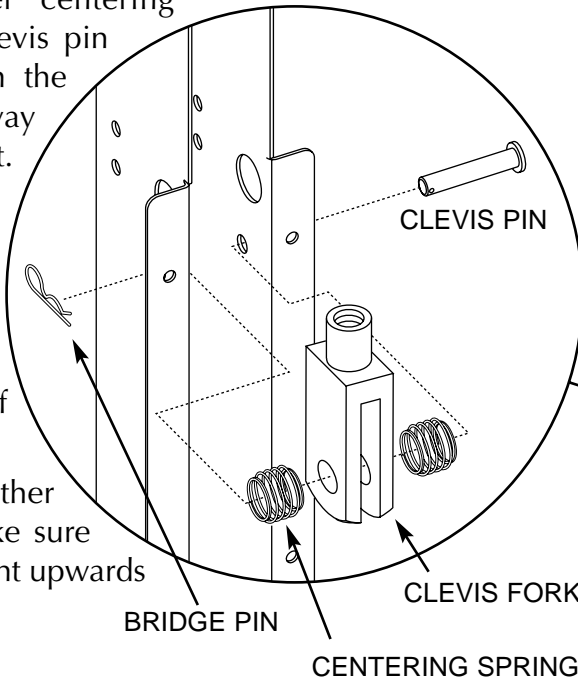
Safety Goggles
Quantity 1



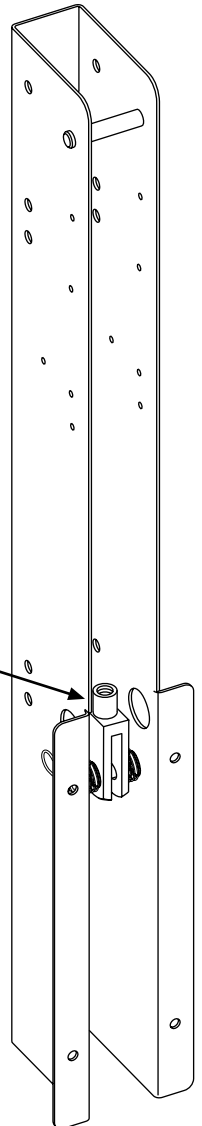
Assembly Procedures

Lower Clevis Fork Assembly

1. Insert the larger clevis pin (3/8" x 2 1/64") through the hole directly below the large hole in one of the stand uprights, as shown.
2. Slide a centering spring, a clevis fork and then another centering spring onto the clevis pin and insert the pin the rest of the way through the upright.
3. Secure the clevis pin by inserting the straight portion of a bridge pin through the small hole in the end of the clevis pin.
4. Repeat for the other stand upright. Make sure the clevis forks point upwards as shown.



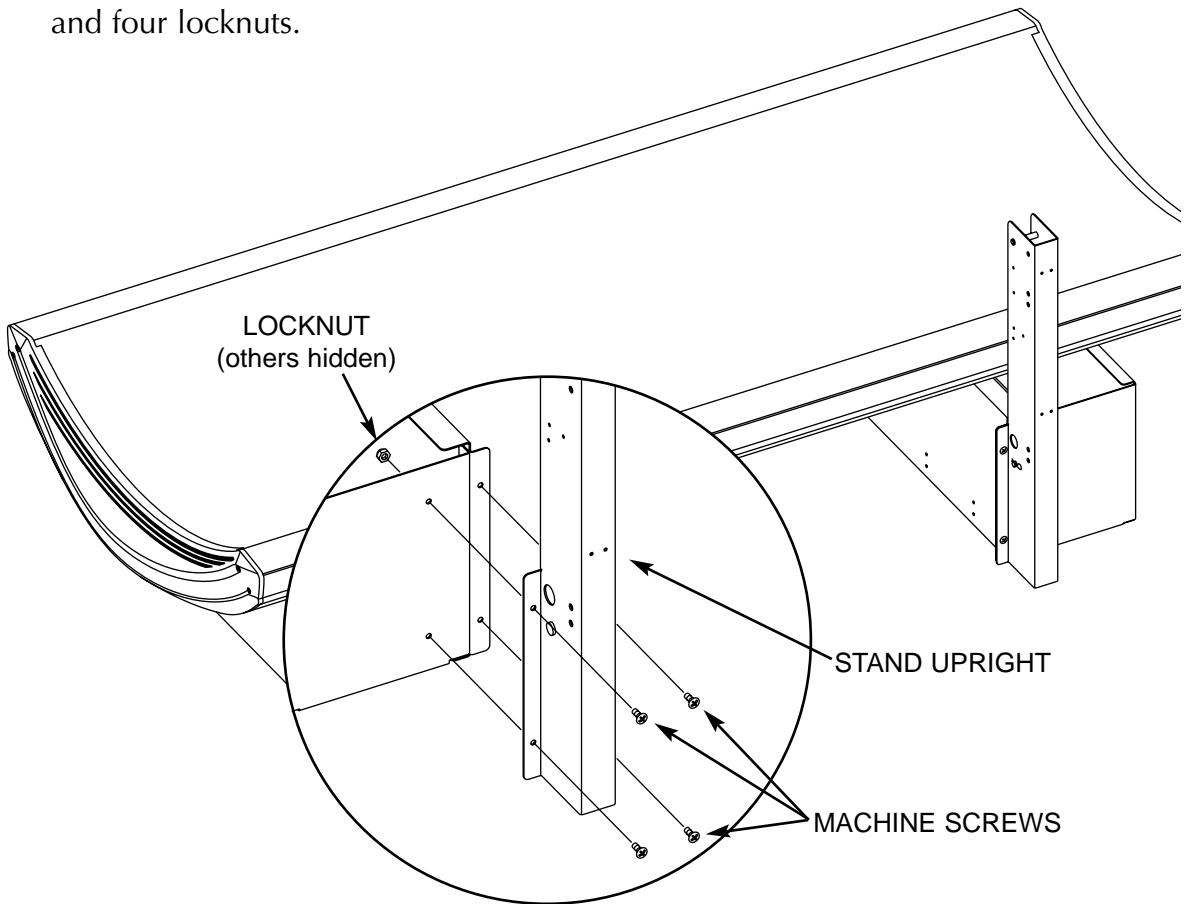
STAND UPRIGHT





Stand Upright Assembly

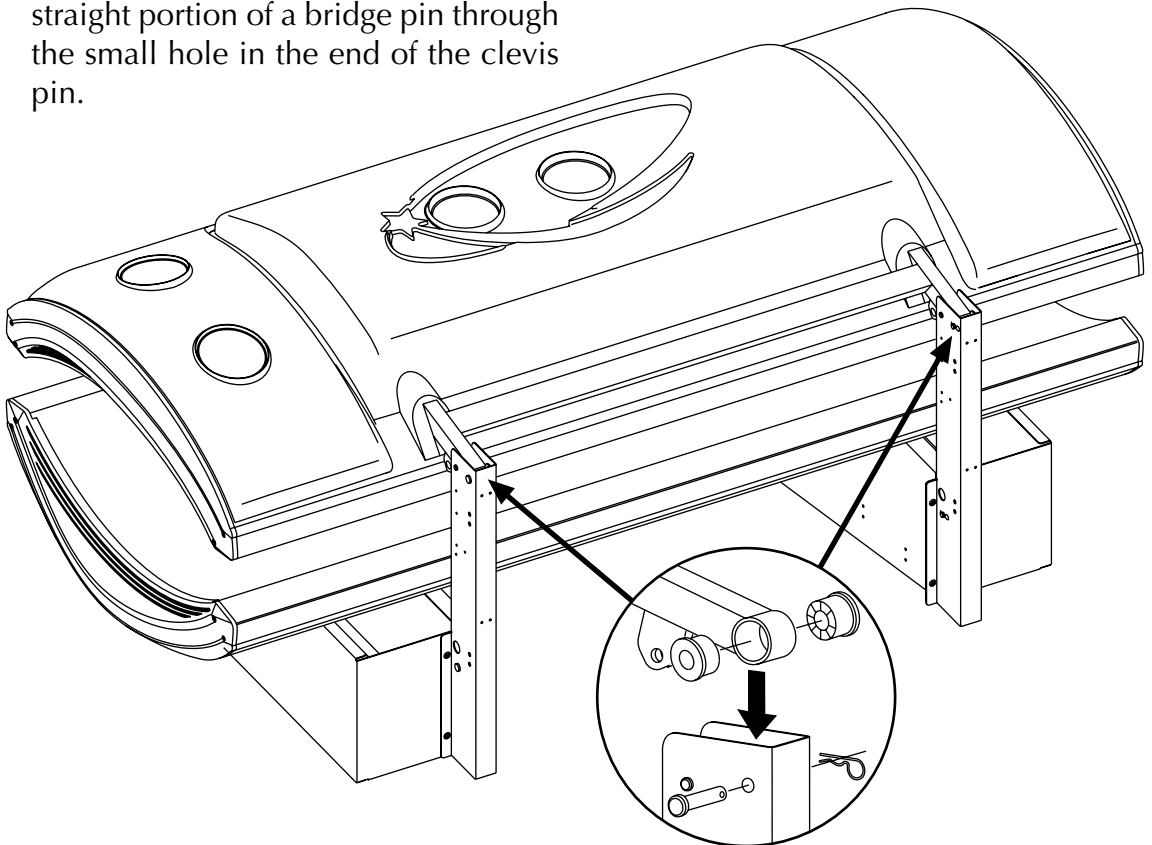
1. Place the bench approximately where it will remain, leaving room to work behind it.
2. Make sure the clevis forks are pointed up and secure each stand upright to the rear of the bench pedestals using four 1/4-20 x 1/2" machine screws and four locknuts.





Canopy Installation

1. Place two nylon floating bearings into each canopy arm.
2. Holding the canopy over the bench, with the canopy arms inside the stand uprights, insert clevis pins (5/16" x 2 1/32") through the uprights and nylon floating bearings to attach the canopy.
3. Secure the clevis pins by inserting the straight portion of a bridge pin through the small hole in the end of the clevis pin.



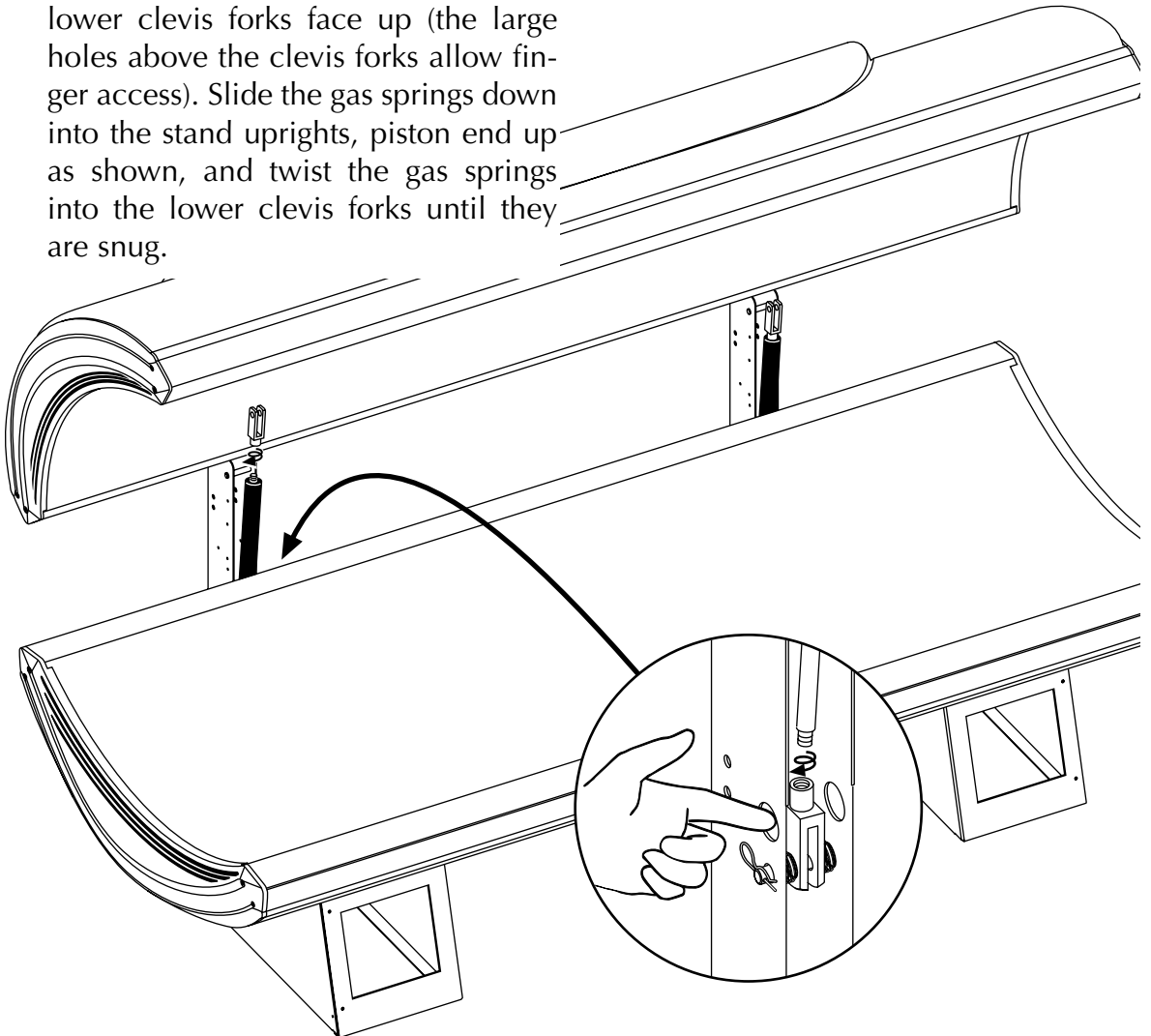


Install Gas Springs

1. Have a helper hold the canopy in its fully open position.
2. Make sure the threaded holes in the lower clevis forks face up (the large holes above the clevis forks allow finger access). Slide the gas springs down into the stand uprights, piston end up as shown, and twist the gas springs into the lower clevis forks until they are snug.

3. Screw the upper clevis forks onto the gas springs.

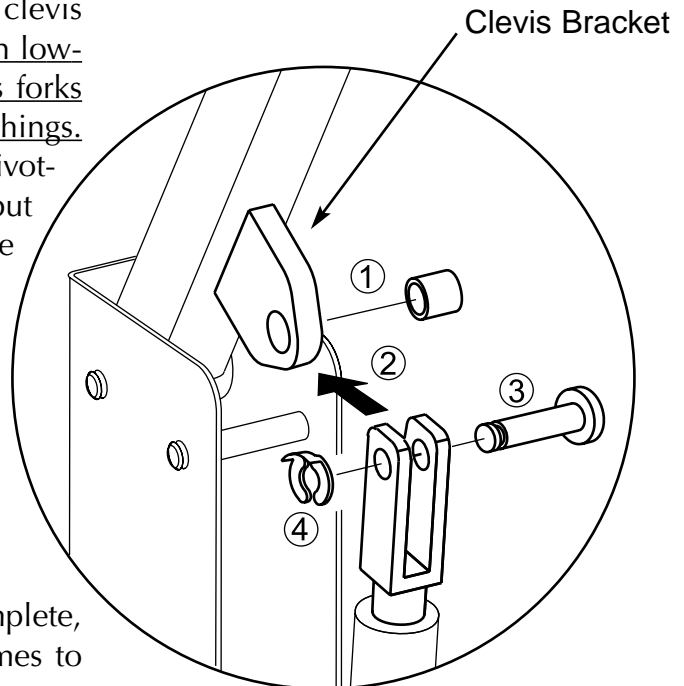
Do not lower the canopy yet!





Attach Gas Springs

1. With the canopy still raised, slip the bronze bushings into the hole in the clevis brackets on the underside of the canopy arms.
2. Line up both clevis forks and carefully lower the canopy to engage the clevis forks. Pay special attention when lowering the canopy that the clevis forks do not damage the bronze bushings. Bronze is excellent for smooth pivoting applications such as this, but tends to be soft compared to the steel clevis fork.
3. Lock the clevis forks in place with the 10mm clevis pins.
4. Secure the clevis pins with the retaining rings.

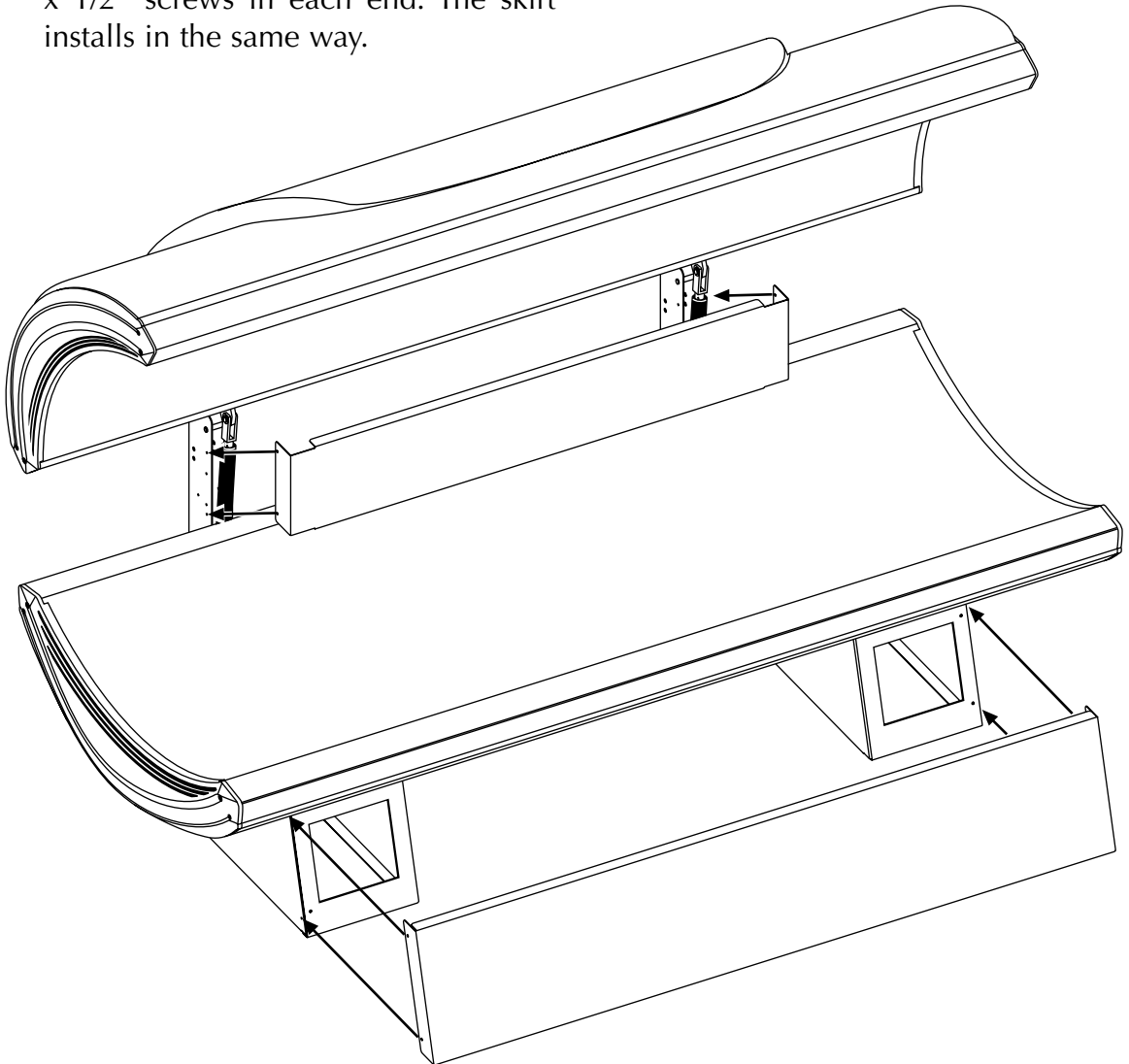


NOTE: When this assembly is complete, lift and lower the canopy a few times to lubricate the gas springs for optimum performance.



Attach Cover Panels

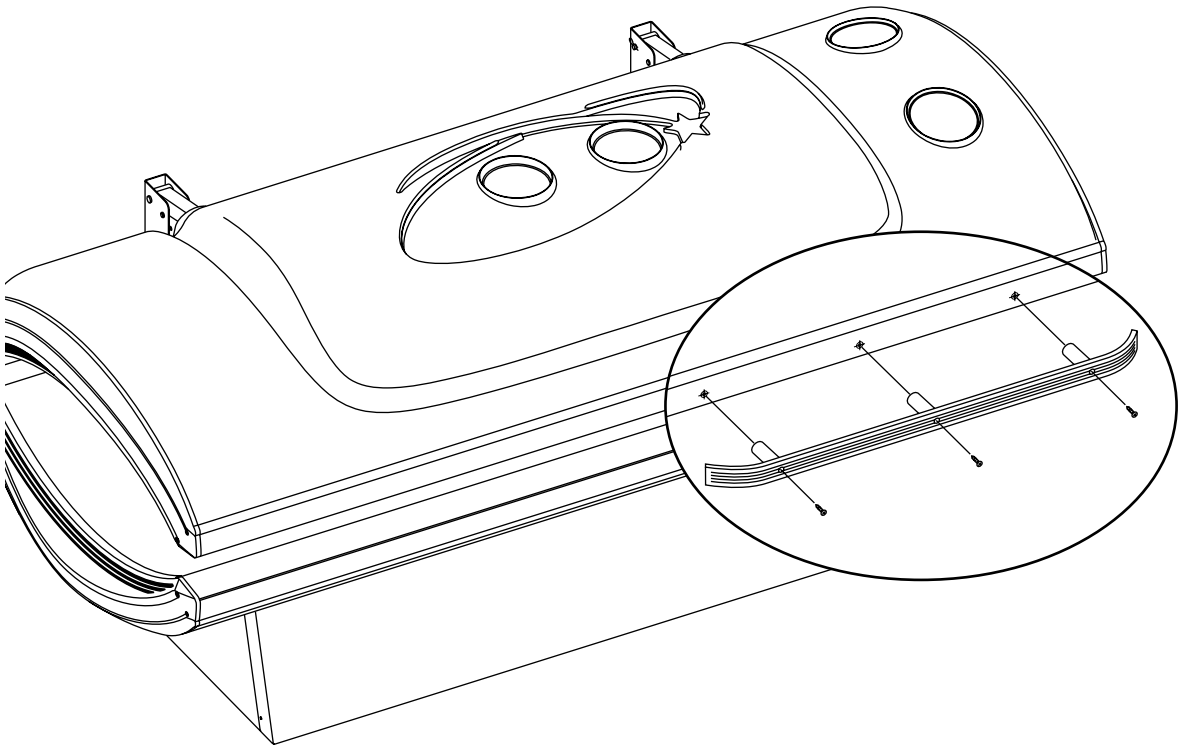
1. Put the gas spring cover panel in place and secure with two blue-headed #10 x 1/2" screws in each end. The skirt installs in the same way.





Attaching Handle to Canopy

1. Install the handle by inserting the three #10 x 1" Phillips head screws through the handle and into the predrilled holes on the canopy.





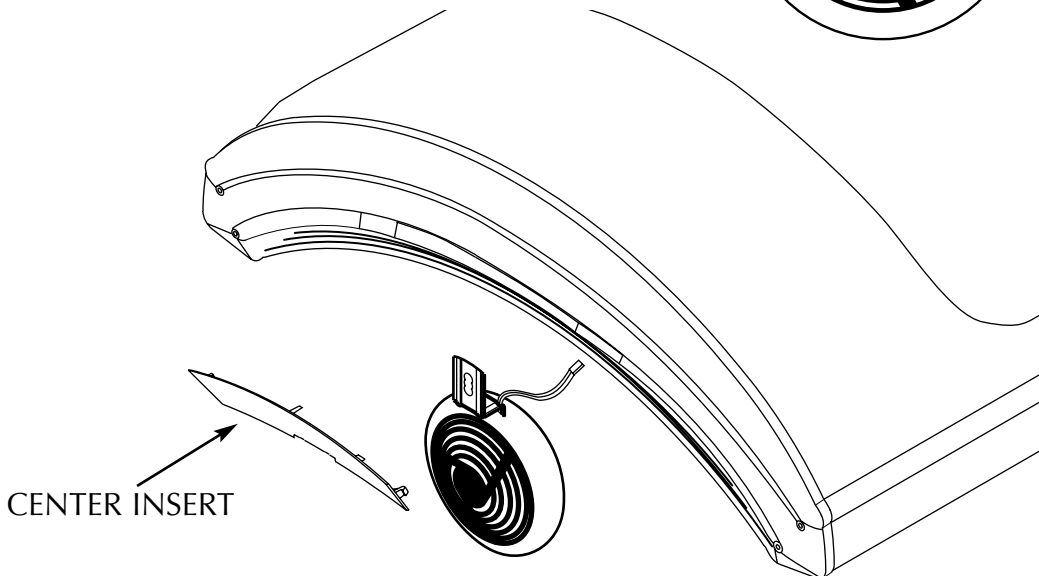
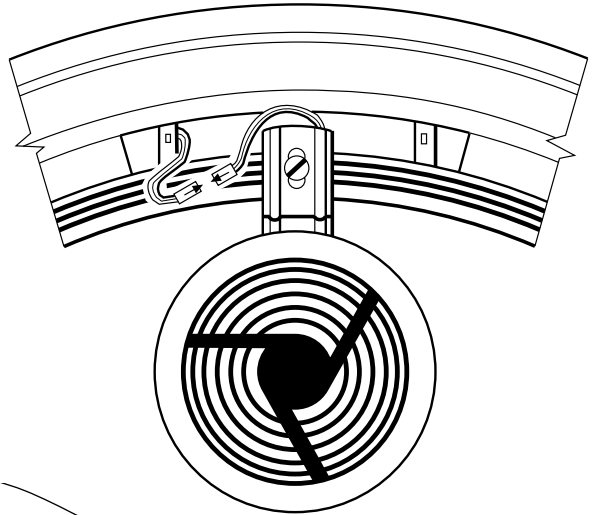
Body Fan Assembly

(body fan sold separately)

WARNING

Shock hazard.
Be sure power is disconnected before installing body fan.

Your sunbed is designed to accept a body cooling fan on the canopy endcap at the foot end. Follow the instructions that come with the body fan for installation.



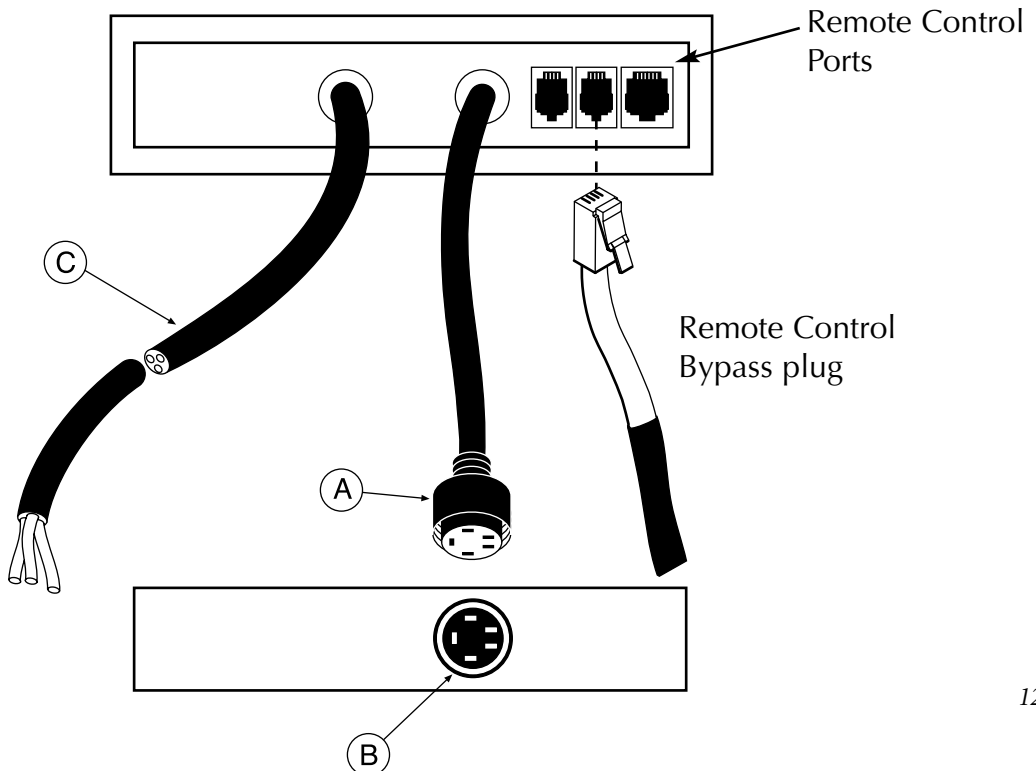


Electrical Connections

At the rear of the bed, insert canopy plug (A) into bench socket (B). Connect power cord (C) as described in *Pre-Installation Planning*. Again, a professional electrician is recommended. The Remote Control Bypass plug is already installed in one of the remote control ports as shown. Your sunbed will not operate without the Remote Control Bypass plug or a remote system connected. Remove the protective film from the acrylic shields. Your equipment is now ready for use.

NOTE: Your sunbed is designed to accept an input from a remote control device. The remote control is optional. If you plan on using a remote system refer to *Remote Connections*.

ATTENTION: Although the Remote Control Bypass plug provided with your sunbed will work wherever a T-Max® terminator is called for in the series, the T-Max® terminator will not work as a bypass plug. A bypass plug is needed only when your sunbed is operated without a remote system connected.





Remote Connections

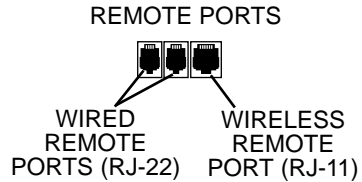
Your sunbed incorporates advanced circuitry allowing it to connect and communicate with most remote control systems. If a remote system is to be used, first determine whether the remote system is a T-Max® System or a standard remote system operating with a control relay. Follow the appropriate instructions for your system type.

CAUTION

The remote connection is not designed to supply or accept high voltage, nor can it provide power to an external timer. The sunbed's remote interface circuitry operates on 5 volts, attempting to connect it to any higher voltages will damage the sunbed as well as void your warranty.

T-Max® Products

The T-Max® remote systems offer the ultimate in sunbed control, while allowing the tanner easy straightforward operation. Your sunbed is configured to directly connect to this system, including the new wireless remote system. The circuitry inside your sunbed eliminates the need for the T-Max® 1A or 3A when connecting to the T-Max® Manager series. Your sunbed supports the auto addressing feature of the latest T-Max® Manager models and the following parameters: 5, 6, 7, 8, 9, 10, 15 and 23. See your T-Max® manual for descriptions of these parameters and how they function.



T-Max® Wireless Remote System

The T-Max® AP-900 eliminates wires in your salon, allowing easy setup without hiring an electrician to run wires. It also protects your investment from damage by isolating each unit from one another. Your sunbed arrives “wireless ready”, which means it connects directly to the T-Max® wireless system. Older tanning beds, and T-Max® managers, also utilize this system but require a T-Max “Power Injector” (PI) to provide the needed power to the wireless unit.

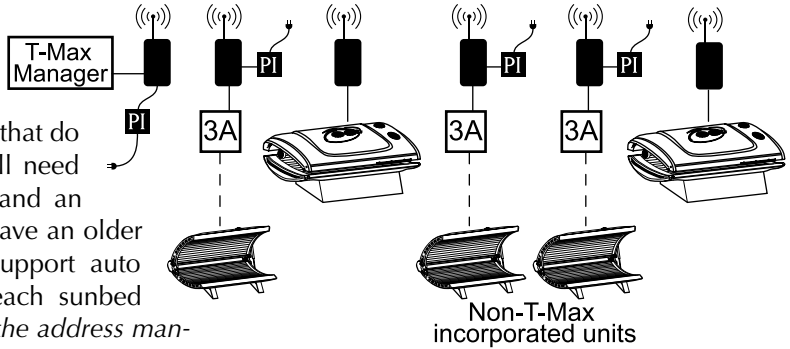
Remote System Hook-up Scenarios

Follow the diagrams on the next page to see the many different scenarios for hooking up your salon. If you need further assistance, call T-Max® directly at (417) 338-5101.



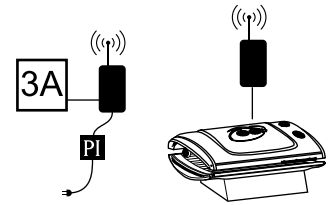
Scenario 1 - T-Max® Manager Series with Complete Wireless

Connect one AP-900 (with Power Injector) to the Manager and one AP-900 to each of the tanning beds. Install as many beds as you like with this configuration. Units that do not communicate with T-Max will need an AP-900 with Power Injector and an additional 3A to operate. If you have an older T-Max® Manager that doesn't support auto addressing, set the address of each sunbed manually as described in *Setting the address manually*. You can place your sunbed at any location in the series.



Scenario 2 - T-Max 3A with Wireless

In single sunbed installations, the T-Max® 1A and 3A can offer the same control as the T-Max® Manager, eliminating the need for a Manager. If you're using a 1A in this manner, it must have a chip labelled "master" installed on its circuit board. The remote control bypass plug must not be used in this configuration. The 3A may be used as a "master" with no modification.

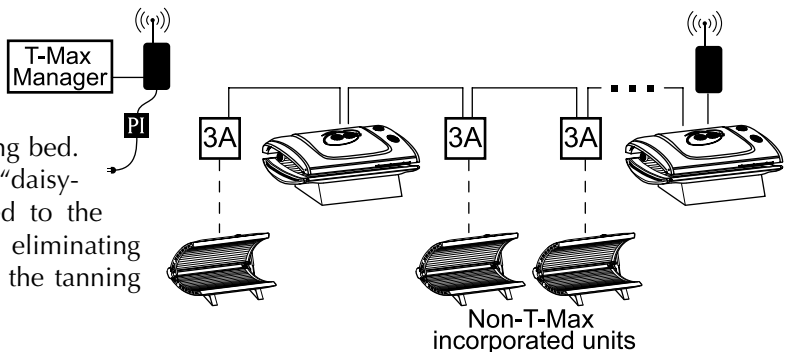


NOTE: A T-Max® 1A with a "master" chip can be substituted for a 3A.

After you have set the T-Max® 1A's, or 3A's, address to "0" (refer to your T-Max® user's guide) and the sunbed's address to "1", simply connect one AP-900 (with Power Injector) to the T-Max® 3A and one AP-900 to the tanning bed.

Scenario 3 - T-Max® Manager Series with Wireless combo

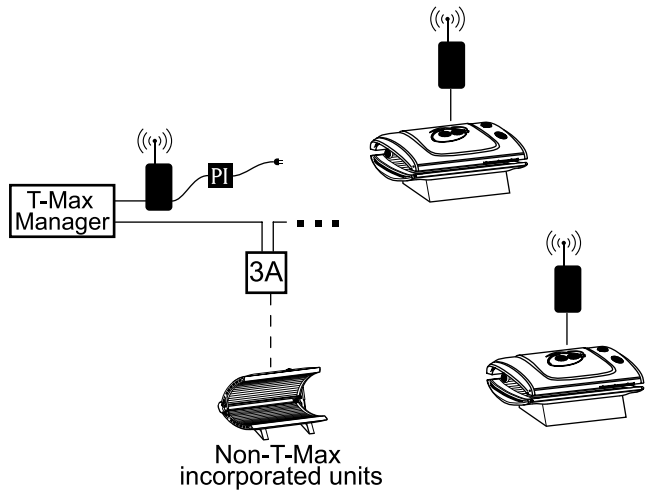
Connect one AP-900 (with Power Injector) to the Manager and one AP-900 to a wireless ready tanning bed. The rest of the salon may be "daisy-chained" together and connected to the wireless equipped tanning bed, eliminating the need to wire the Manager to the tanning beds.





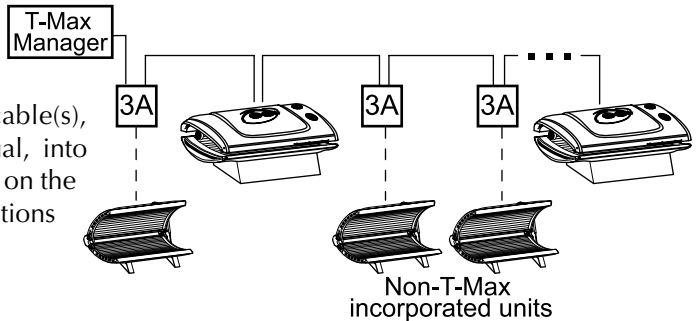
Scenario 4 - T-Max® Manager Series with Wireless combo 2

Wireless can be easily added to an existing salon already utilizing T-Max®. Connect one AP-900 (with Power Injector) to the Manager and one AP-900 to each wireless ready tanning bed. The rest of the salon may be “daisy-chained” together and connected to the Manager.



Scenario 5 - T-Max® Manager Series with wires

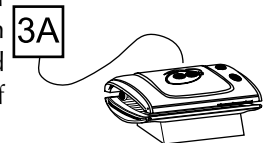
As always, this tanning bed is fully compatible with a wired T-Max® system. Simply connect the RJ-22 modular cable(s), described in the T-Max® Manager manual, into either of the smaller remote port(s) located on the back of the canopy and follow the instructions that came with your remote system.



Scenario 6 - Single Bed wired to T-Max® 3A

In single sunbed installations, the T-Max® 1A and 3A can offer the same control as the T-Max® Manager, eliminating the need for a Manager. If you're using a 1A in this manner, it must have a chip labelled “master” installed on its circuit board. The remote control bypass plug must not be used in this configuration. The 3A may be used as a “master” with no modification.

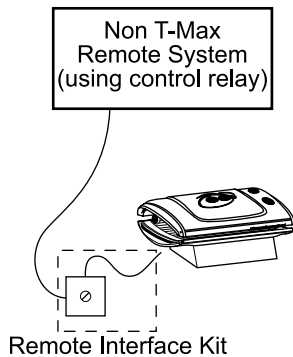
After you have set the T-Max® 1A's, or 3A's, address to “0” (refer to your T-Max® user's guide) and the sunbed's address to “1”, simply connect the RJ-22 modular cables, described in the T-Max® user's guide, directly into either of the smaller ports located on the back of the canopy and either port on the back of the T-Max® 1A or 3A.





Scenario 7 - Non T-Max® Remote System wired to unit

Most non-T-Max® remote systems control the sunbed by the use of a relay. The relay operates the sunbed by connecting and disconnecting a pair of wires leading from the sunbed. Refer to the user’s manual provided with your remote system to determine if it operates in this way. To connect your sunbed to this type of system a remote interface kit is required. Contact your place of purchase to obtain the kit. The illustration below details a typical connection. Follow the instructions provided with the kit and from the remote’s manual to make the necessary connections.



CAUTION

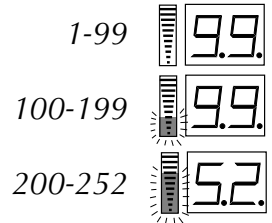
The remote connection is not designed to supply or accept high voltage, nor can it provide power to an external timer. The sunbed’s remote interface circuitry operates on 5 volts, attempting to connect it to any higher voltages will damage the sunbed as well as void your warranty.

Setting the sunbed address manually

Before connecting your sunbed to the T-Max® Manager or T-Max® 1A or 3A, the address of your sunbed must first be set. Set the “id” manually as described below.

Setting the “id”

1. Make sure no cables are plugged into your sunbed’s remote ports.
2. Remove and reapply power to the unit.
3. Press and hold the stop button, located on the sunbed display, for three seconds and release. The display should indicate an “id” number from “oF” to “252”.



4. If you are using a T-Max® 1A or 3A as a “master” remote, the “id” of the sunbed must be set to “1”. If you are using a T-Max® Manager each sunbed must be assigned a different “id”. To set the “id” press the timer button, to count up, or the body fan control button, to count down, until the desired number is achieved.
5. Press the stop button to return to the normal display mode.



Before You Tan

Before using your sunbed, please note the following important precautions.

- Your skin should be free of cosmetics, tanning oils, or other body lotions prior to tanning except for those specifically made for use with tanning devices. However, do not remove natural body oils by bathing or showering immediately before tanning.
- Your hair should be free of gels, mousses, sprays, or other hair products prior to tanning. These products can cause damage to the sunbed acrylic. As an alternative, a shower cap or towel can be worn to keep treated hair away from the sunbed surfaces.
- This unit intended for individual use. Only one pair of eyewear is included.

⚠ DANGER

Some medication may increase your sensitivity to ultraviolet light. It is recommended that you consult a physician before using this sunbed if taking any medication or if you suspect that your skin might be especially sensitive to sunlight.

⚡ DANGER

Shock hazard.
Do not operate this device near water or while you are wet.

Exposure Times

Follow the guidelines for skin type and exposure times as shown in the table below. Untanned persons should not tan on consecutive days during their first week of tanning. Never tan more than once a day. Tanning normally appears after the first few sessions and maximizes after approximately four weeks. Tan once or twice per week thereafter to maintain appearance. Persons already having a base tan may begin at advanced levels corresponding to the extent of their base tan.

| RECOMMENDED EXPOSURE TIMES IN MINUTES | | MAXIMUM EXPOSURE TIME IS 20 MINUTES | | | | |
|---------------------------------------|---|-------------------------------------|---------|---------|---------|-----------------------|
| Skin Type: | | Level 1/Week 1 1st-3rd Sessions | Level 2 | Level 3 | Level 4 | Subsequent Maximum |
| I Sensitive Skin | (Burns easily and severely and does not tan.) | NOT RECOMMENDED FOR TANNING | | | | |
| II Light | (Burns easily and severely and tans minimally.) | 4 | 8 | 12 | 16 | 20 |
| III Normal | (Burns moderately and tans average.) | 6 | 10 | 15 | 20 | 20 |
| IV Dark | (Burns minimally, tans easily and above average.) | 8 | 12 | 16 | 20 | 20 |



Using Your Sunbed

When connected to the T-Max® Manager or T-Max® 1A or 3A.



A



B



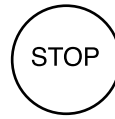
C



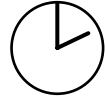
D



E



F



G

- A Face tanner control** - Turns face tanners on and off during use. Face tanner lamps require one minute to relight. (Units equipped with face tanner only)
 - B Body tanner control** - Turns body lamps on and off during use. (Units equipped with face tanner only)
 - C Body fan control** - Controls the speed of the body fan during use.
 - D Body fan speed indicator** - Indicates speed of fan. (OFF - LOW - MED - HI)
 - E Timer display** - Displays remaining time.
 - F Stop button** - Interrupts tanning session.
 - G Timer button** - Turns bed on. Timer display shows remaining time.
1. Lift the canopy, lie down on the bench (face up), lower the canopy toward your body using the canopy handle. See *Safety Information* for positioning instructions.
 2. Put on your safety goggles.
 3. Assuming the remote system has been set to allow a pre-tanning delay time, the timer display (E) will repeatedly flash the delay symbol "dL" and then the remaining delay time. Press the timer button (G) or wait until the delay time has expired to begin the tanning session. The lamps will turn on and the timer will begin to count down.
 4. When the timer reaches 0 the lamps turn off. If you want to stop your session before time expires, press the stop button (F).
 5. Raise the canopy by using the outer edge, do not push up on the acrylic shield. The cooling fans run for a period of time after the lamps shut off to aid in cooling the sunbed. The timer will indicate ".." as a reminder to clean the sunbed. After the sunbed is cleaned press the timer button and the display will return to "0".

WARNING

Wear protective eyewear.
Failure to may result in severe burns or longterm injury to the eyes.



Using Your Sunbed

When used as a stand alone unit or when connected to a remote system using a control relay.



A



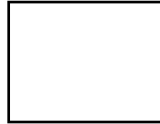
B



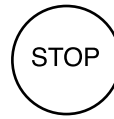
C



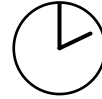
D



E



F



G

- A Face tanner control** - Turns face tanners on and off during use. Face tanner lamps require one minute to relight. (Units equipped with face tanner only)
- B Body tanner control** - Turns body lamps on and off during use. (Units equipped with face tanner only)
- C Body fan control** - Controls the speed of the body fan during use.
- D Body fan speed indicator** - Indicates speed of fan. (OFF - LOW - MED - HI)
- E Timer display** - Displays remaining time.
- F Stop button** - Stops tanning session.
- G Timer button** - Turns bed on. Timer display shows remaining time. If a lesser time is desired, press timer button until desired time is displayed.
1. Lift the canopy, lie down on the bench (face up), lower the canopy toward your body using the canopy handle. See *Safety Information* for positioning instructions.
 2. Put on your safety goggles.
 3. Press the timer button (G) to begin the tanning session. The lamps will turn on and the timer will begin to count down.
 4. If a tanning time less than the displayed time is desired repeatedly press the timer button (G) to decrease the remaining time.
 5. When the timer reaches 0 the lamps turn off. If you want to stop your session before time expires, press the stop button (F). You will have ten seconds to restart with the remaining time, otherwise the timer will reset to 0.
 6. Raise the canopy by using the outer edge of the canopy, do not push up on the acrylic shield. The cooling fans run for a period of time after the lamps shut off to aid in cooling the sunbed.

WARNING

**Wear protective eyewear.
Failure to may result in severe burns or
longterm injury to the eyes.**



Care and Maintenance

Cleaning After Use

Clean and disinfect your tanning bed's bench and canopy after each use. Use a non-abrasive disinfectant cleaner that **does not contain ammonia or ammonia derivatives**. Ammonia may damage the acrylic shield. Spray the acrylic lightly with disinfectant and wipe dry with a clean soft cloth. We recommend Australian Gold® pH Neutral Disinfectant Cleaner.

Thorough Periodic Cleaning

Introduction

The cooling fans draw air through the bed and over time will cause a dust buildup on the lamps and reflectors. This will reduce the tanning effectiveness of the bed. When a dust buildup is observed, it is necessary to thoroughly clean the inside of the bench and canopy.

| | |
|--|--|
| | ⚠ WARNING |
| | Shock hazard. Disconnect power before removing any protective covers. |

Cleaning the Canopy and Bench

Step 1 Remove the acrylic shields and lamps as described in *Lamp and Acrylic Replacement*.

- Step 2** With a soft cloth, wipe the entire length of each lamp to remove any film buildup.
- Step 3** Clean both sides of the acrylic shields with a non-ammonia disinfectant cleaner.
- Step 4** Wipe the reflectors with a clean damp cloth.
- Step 5** Re-install the lamps and acrylic shields.

Mechanical Inspection

Your tanning bed has been built for years of service. To ensure trouble-free operation throughout its life, inspect the unit's mechanical integrity every 400-500 hours of use.

- Inspect the unit's fasteners verifying that all are firmly in place.
- Inspect gas springs for signs of wear. Gas springs that will not hold the canopy in the full open position when raised should be immediately replaced. See *Troubleshooting*.
- Inspect the AC power cord and its connections.
- Inspect the acrylic. Broken, cracked or badly scratched acrylics should be immediately replaced.



Lamp and Acrylic Replacement

Introduction

To be assured of maximum tanning effectiveness, change lamps after approximately 800-1000 hours of use. Tanning will continue after this time but at a slower rate. To ensure trouble-free operation of your sunbed, replace the lamp starters whenever the lamps are replaced.

| | |
|--|---|
| | ⚠ WARNING |
| | Shock hazard. Disconnect power before servicing. |

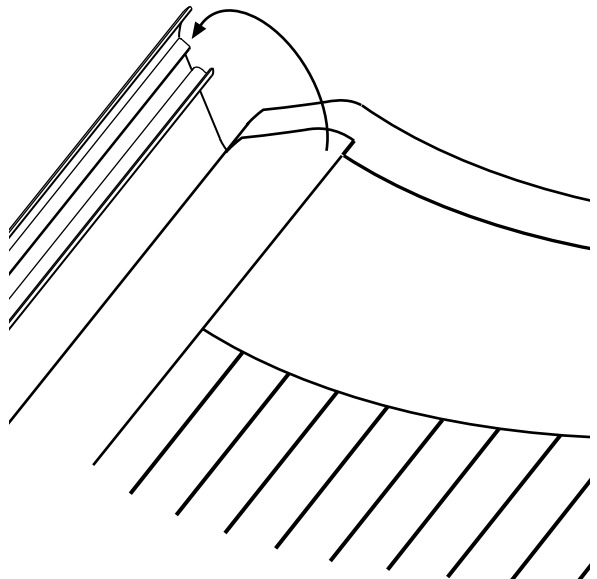
Removing/Replacing Acrylic Shield

The acrylic shield in the bench and canopy are secured in place by hinged profiles which run the length of the bed, both front and back. Simply pry up on the inside edge of the profile, starting at the center of the bed, until it releases its latching action (see figure at right). Continue to pry up the profile across its entire length until it swings back freely. Repeat for the other profile. The long edges of the acrylic shields are now exposed.

Standing at the front of the unit, lift the exposed edge of the acrylic slightly and carefully begin sliding it toward you until it is removed from the sunbed. This might be easier with the help of another person.

After changing the lamps, replace the acrylic shield by carefully aligning it with the channels on the ends of the sunbed and sliding it into place. Close the hinged profile by pushing it back into place until it snaps tight.

| |
|---|
| ⚠ CAUTION |
| Be careful. The edges of the acrylic shield may be sharp. |





Removing/Replacing Lamps

After removing the acrylic shield, replace lamps as follows.

- Step 1 Grasp the lamp at one end and at the middle and turn the lamp one quarter turn. Gently remove the lamp from its holders.
- Step 2 Reinstall the lamp by inserting the pins located on the ends of the lamp into the slots on top of the lamp holders and turn the lamp a quarter turn. It should click in place.

Recommended Replacement Lamps

We recommend using the lamps specified below. Use of uncertified lamps is a violation of Federal regulations and will void your warranty. These lamps have an average life of 800-1000 hours of effective tanning use. Lamps used longer than that begin to lose their effectiveness even though they continue to light.

Recommended Replacement Acrylics

Acrylics vary greatly over time in their ability to effectively transmit UV light. Acrylics sold by ETS have been life tested to ensure proper transmission throughout their useful life.

THE FOLLOWING LAMPS HAVE BEEN CERTIFIED FOR USE IN THIS EQUIPMENT:

Velocity® Wolff® Model VEL 71-T12-100W

**Heraeus E400 HPT, Philips Model HPA 400/30s or CosmoTech Model 23045
(SolarMax™ IFT facial unit in 30 3F and 32 3F)**



Removing/Replacing Face Tanner Lamp (if equipped)

After removing the canopy acrylic shield, replace the face tanner lamp as follows:

Step 1 Support the face tanner assembly with your hand while unscrewing the two retaining screws. The face tanner glass casing will swing downward.

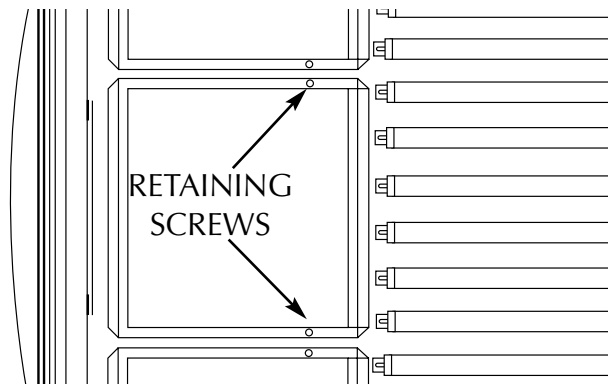
Step 2 The lamp can now be exchanged. The lamp holders are equipped with spring contacts which enable the lamp to be removed easily. Remove the old lamp and discard. Install the new lamp, using a clean cloth or paper towel. Ensure that the lamp is firmly seated in the lamp holders.

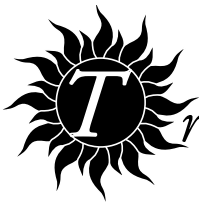
Note! Never take hold of the lamp such that your fingers are in contact with the lamp glass. Finger oils will greatly reduce the lamp's operational life.

Step 3 Gently close the face tanner glass casing and lock it closed with the screws. Ensure that the screws firmly secure the glass casing.

⚠ DANGER

Unfiltered light from face tanner can cause severe burns. Never turn sunbed on while face tanner is disassembled or when glass filters are removed. Immediately discontinue use of this equipment if face tanner glass is broken or any unfiltered light can be seen escaping face tanner assembly.





troubleshooting

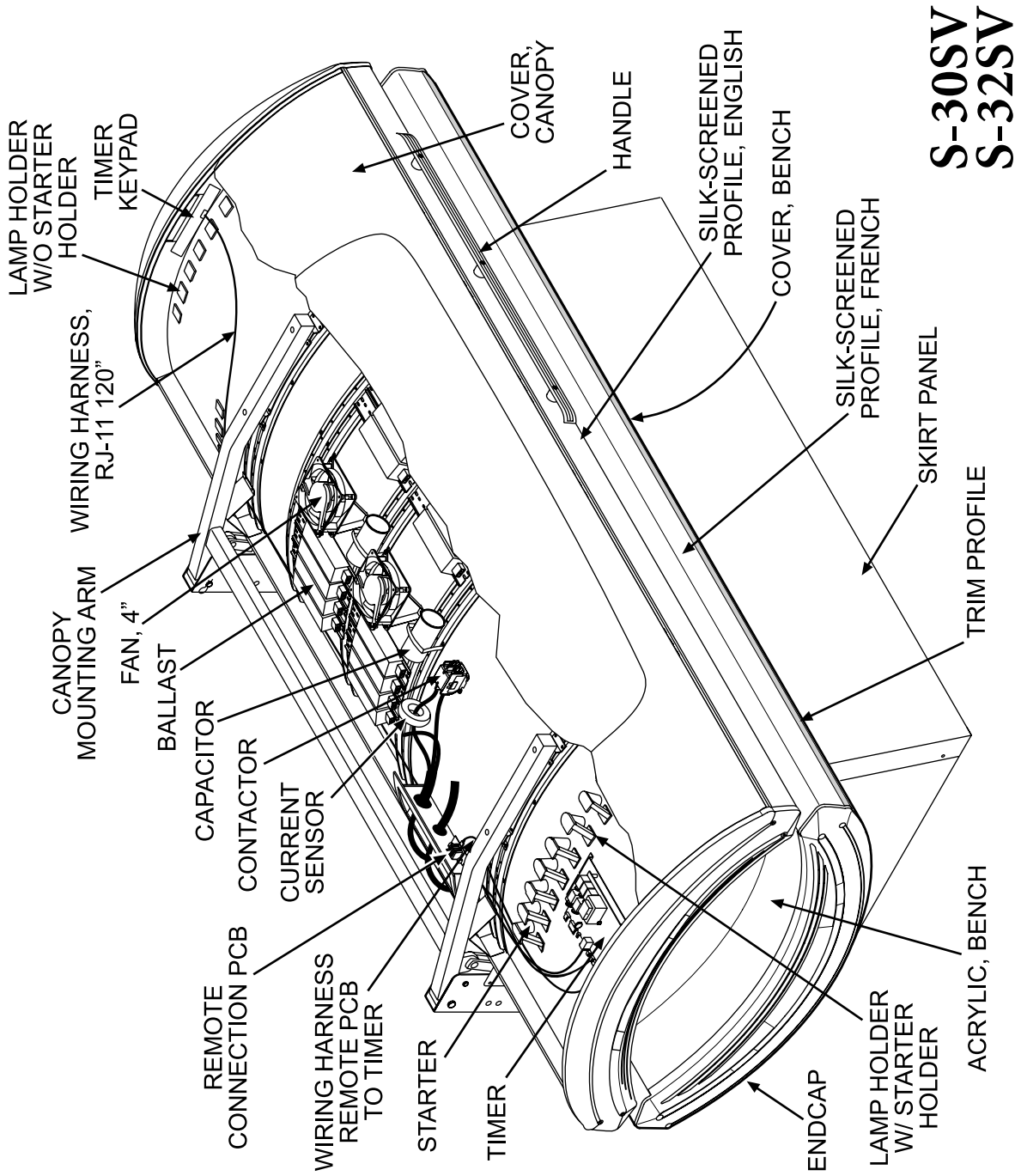
| Problem | Solution |
|---|---|
| Sunbed not tanning | <ol style="list-style-type: none"> 1. Clean sunbed, see <i>Thorough Periodic Cleaning</i>. 2. Ensure supply voltage is between 208 and 230V AC. 3. Replace lamps if lamp hours are greater than 800hrs. 4. Replace acrylic. |
| Lamps fail to light and timer display is blank | <ol style="list-style-type: none"> 1. Make sure the unit is connected to a power source. 2. Check source of AC power. Reset circuit breaker or replace fuse. |
| One or more lamps fail to light | <ol style="list-style-type: none"> 1. Check that lamp is installed correctly. 2. Switch unlit lamp with a lamp that lights, if new lamp lights and old lamp still does not, replace old lamp. |
| The canopy will not stay up | <p>NOTE: Gas springs are manufactured to hold the canopy in its fully open position as well as allow it to rest fully closed. If left open for an extended period of time some creep down may occur. This is considered normal. Keep the unit closed when not in use. If the canopy will not stay fully open when raised...</p> <ol style="list-style-type: none"> 1. Raise and lower the canopy a few times to lubricate gas spring internal seals. 2. Replace gas springs. |
| The face tanners will not come on | <ol style="list-style-type: none"> 1. Face tanner operation is initially delayed by 5 seconds. 2. Face tanners will not relight for 1 minute if turned off. 3. Replace face tanner lamp, see <i>Removing/Replacing Face Tanner Lamp on F Models</i>. |
| The last minute of tanning time does not count down from 59 seconds, but some time less than 59 seconds | <p>If the timer button has been pressed to decrease tanning time during the session, the time expired in the current minute is subtracted from the last minute.</p> |
| I forgot what address, or "id", I set my sunbed to | <p>By holding the body fan button for 3 seconds the timer display will briefly display three numbers; the installed timer software version, a factory set timer code and then the sunbed's "id" number.</p> |



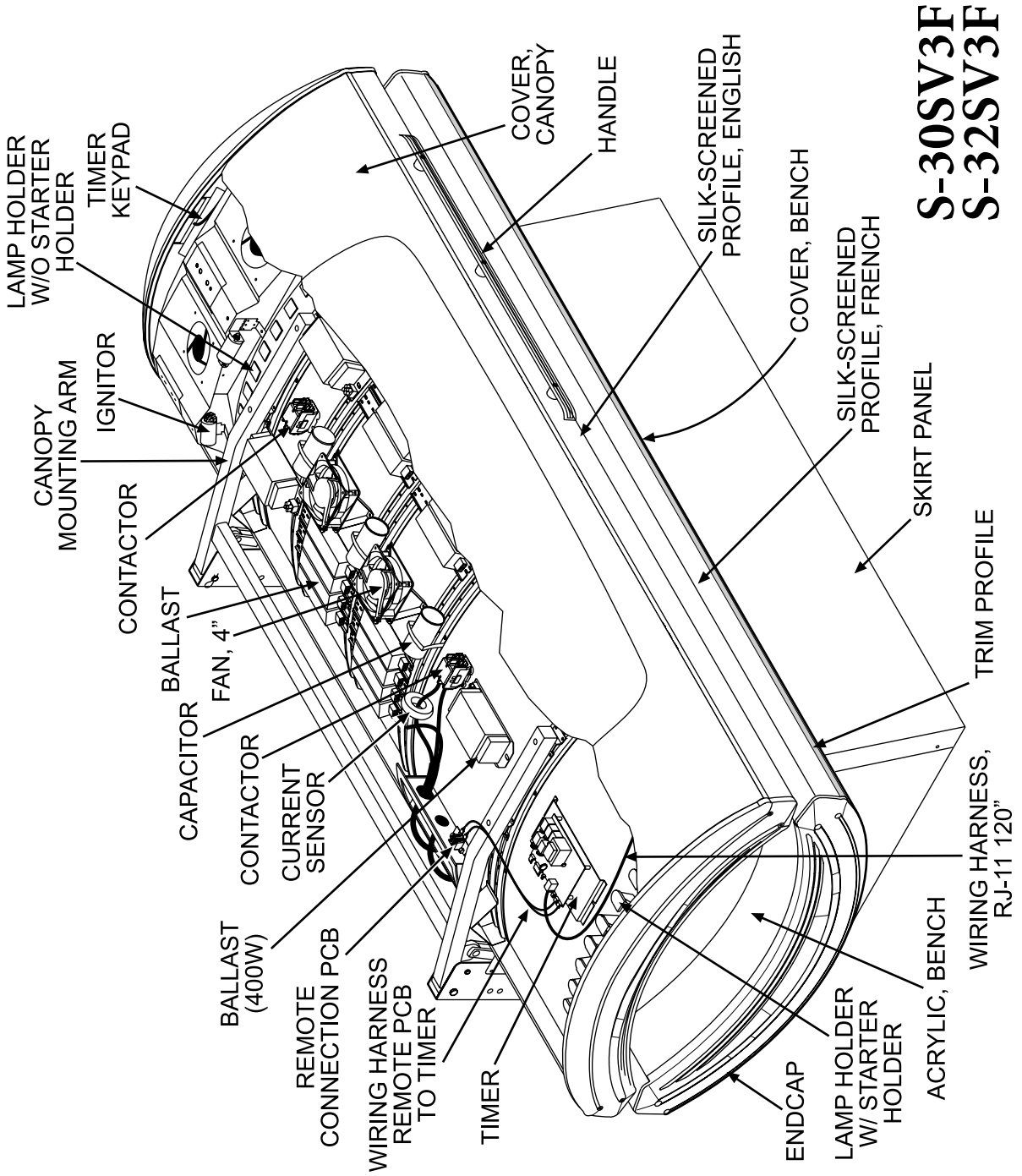
| Problem | Solution |
|--|--|
| Timer display is indicating Er 91 | Timer software error. Disconnect and reapply power to the unit. |
| Timer display is indicating Er 92 | Current sensor indicating unit is off when it should be on. Contact servicer. |
| Timer display is indicating Er 93 | Current sensor indicating unit is on when it should be off. Contact servicer. |
| Timer display is indicating Er 94 | Requested session time exceeds maximum time allowed. |
| Timer display changes to indicate a tanning time after the timer button is pressed but lamps do not come on | <ol style="list-style-type: none">1. Bypass plug is not installed, see <i>Electrical Connections</i>.2. A non-SunStar® bypass has been used. See <i>Electrical Connections</i>.3. If remote is being used, other than T-Max® Manager, the external timer may not be activated.4. Remote wiring is incorrect, see the instructions provided with the remote interface kit. |
| My bed is connected to the T-Max® Manager remote system and when the delay time has expired the timer display starts counting down but the bed lights do not come on | The auto start feature of the remote system is disabled, see the instructions provided with your remote system. |
| My bed won't work with the T-Max® Manager remote system | <ol style="list-style-type: none">1. The sunbed must first be set to a unique address, see <i>Remote Connections</i>.2. The bypass or terminator plug may be installed in the series in an inappropriate location. Plug the bypass plug only into the bed at the end of the series. |
| Timer display continues to show a 0 after the timer button is pressed | <ol style="list-style-type: none">1. T-Max® Manager remote system has not yet been set.2. Sunbed address is not set correctly, see <i>Remote Connections</i>. |



| Problem | Solution |
|---|---|
| My bed is connected to a T-Max® remote system but I am having trouble getting into “id” mode | You have probably attempted to connect your sunbed to the remote system already. Disconnect the remote plug(s) from the ports at the back of the sunbed, wait 90 seconds and try again. |
| My bed, connected to a T-Max® Manager, did not display “dL” but does indicate: “0” a tanning time and the lamps have come on a tanning time but the lamps have not come on | <ol style="list-style-type: none"> 1. Remote device has not been set. 2. The sunbed has not been connected to the remote system, see <i>Remote Connections</i>. <ol style="list-style-type: none"> 1. Delay time of T-Max® Manager has not been set. 2. Delay time has expired and session has begun. Auto start function of T-Max® Manager has been turned off. Press the timer button to turn on lamps. |
| When auto-addressing the first bed does not register an “id” | When using the auto address feature of the T-Max® Manager you must wait 10 seconds from the time you start the auto address function before addressing the first bed. |
| When using a T-Max® 1A my sunbed won’t function properly | SunStar® Bypass plugs or terminator plugs may be needed if the T-Max® 1A and the sunbed are over 100 feet apart. Install the plugs in the open remote port in the sunbed and the T-Max® 1A. |
| My salon suffers frequent, short power outages and clients complain about losing session time | If you have a T-Max® Manager, changing parameter 23 from “0” to “1” will allow the tanning bed to remember how much time was left when power goes out and resume its session after power is restored. Consult your T-Max® Manager manual for information on setting parameters. |



S-30SV
S-32SV



Parts List

This is a list of parts which may be replaced by the consumer. Care should be taken when replacing anything related to electrical wiring. We recommend contacting a professional electrician. When calling for parts, first state your bed model as S-30SV, S-30SV3F, S-32SV or S-32SV3F, depending on the model. Then refer to this list and preceding illustrations for proper part identification.

Acrylic, Bench
Acrylic, Canopy*
Ballast (220VAC, 100W)
Ballast (220VAC, 400W)
Bushing, Bronze 10mm*
Body Fan Kit* (optional)
Canopy Mounting Arm
Capacitor, 75uF
Contactor (240VAC, 30A)
Cover, Bench
Cover, Canopy
Current Sensor
Endcap, Kit (with inserts)
Fan, 4" (220VAC, 110cfm)
Gas Spring Cover Panel*
Gas Spring Set*
Handle
Hardware Kit, Complete*
Hardware Kit, Assembly*
Hour Counter*
Ignitor (Starter for Face Tanner)
Lamp Holder w/ Starter Holder
Lamp Holder w/o Starter Holder
Lamp Holder, Face Tanner*
Lamps*
Pillow*

Profile, Blank*
Remote Connection PCB
Remote Control Bypass Plug*
Schematic Packet*
Silk-screened Profile, English
Silk-screened Profile, French
Skirt Panel
Starter, K-12 (main lamps)
Thermostat* (for face tanner)
Timer, ADI-HT
Timer Keypad, ADI-HT*
Timer Keypad Pushbuttons*
Trim Profile, Gray
Wiring Harness, RJ-11 120"
Wiring Harness, Remote PCB to Timer (36")

* Not shown

Record this information for ease of service:

Date of purchase: _____

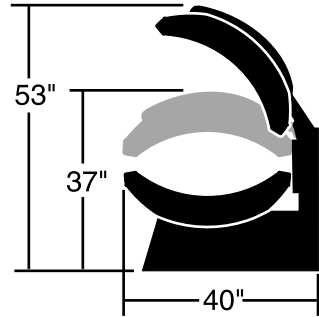
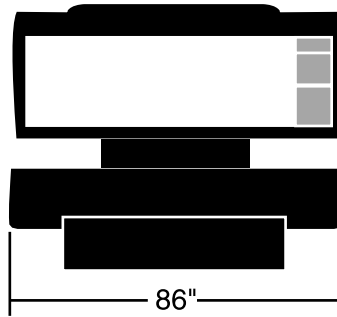
Bench serial number: _____

Canopy serial number: _____

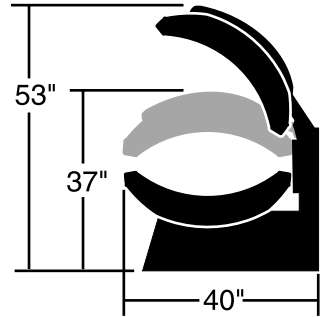
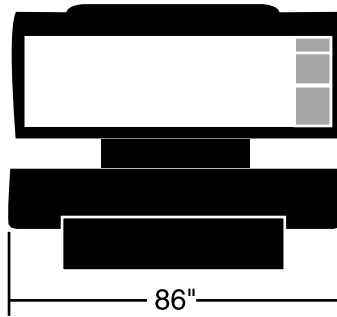
SUNVISION Elite™ 30

30 3F

Size



| | | |
|------------------------------|------------------------------|------------------------------|
| Weight (Pounds) | 469 | 476 |
| Recommended Room Size | 7'D x 9'W | 7'D x 9'W |
| Electrical - | | |
| Voltage (AC) | 220 | 220 |
| Amperage | 17 | 22 |
| Circuit Breaker (Amps) | 30 | 30 |
| Outlet | Hardwire | Hardwire |
| Main Lamps | Velocity® 100W | Velocity® 100W |
| Ballasts | 100W | 100W |
| Face Tanner | NA | SolarMax™ IFT |
| FT Ballasts | NA | 400W |
| Cooling System | 230cfm "Turbo"(optional) | 230cfm "Turbo"(optional) |
| Timer System | Digital | Digital |
| Max. Exposure Time | 20minutes | 20minutes |
| Back-up Timer | Digital "watchdog" circuitry | Digital "watchdog" circuitry |
| Remote Capability | T-Max® compatible | T-Max® compatible |

32SV**32SV3F****Size****Weight (Pounds)**

469

476

Recommended Room Size

7'D x 9'W

7'D x 9'W

Electrical -

Voltage (AC)

220

220

Amperage

17

23

Circuit Breaker (Amps)

30

30

Outlet

Hardwire

Hardwire

Main Lamps

Velocity® 100W

Velocity® 100W

Ballasts

100W

100W

Face Tanner

NA

SolarMax™ IFT

FT Ballasts

NA

400W

Cooling System

230cfm "Turbo"(optional)

230cfm "Turbo"(optional)

Timer System

Digital

Digital

Max. Exposure Time

20minutes

20minutes

Back-up Timer

On-board "Watchdog"

On-board "Watchdog"

Remote Capability

T-Max® compatible

T-Max® compatible



Proudly manufactured
in the U.S.A.



Free Manuals Download Website

<http://myh66.com>

<http://usermanuals.us>

<http://www.somanuals.com>

<http://www.4manuals.cc>

<http://www.manual-lib.com>

<http://www.404manual.com>

<http://www.luxmanual.com>

<http://aubethermostatmanual.com>

Golf course search by state

<http://golfingnear.com>

Email search by domain

<http://emailbydomain.com>

Auto manuals search

<http://auto.somanuals.com>

TV manuals search

<http://tv.somanuals.com>