

Differential video amplifier

μA733/733C

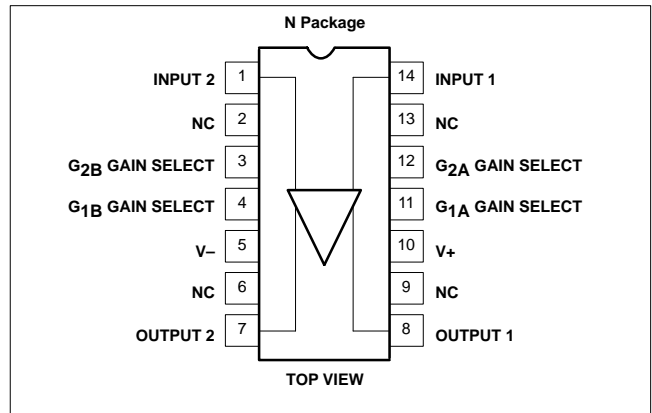
DESCRIPTION

The 733 is a monolithic differential input, differential output, wide-band video amplifier. It offers fixed gains of 10, 100, or 400 without external components, and adjustable gains from 10 to 400 by the use of an external resistor. No external frequency compensation components are required for any gain option. Gain stability, wide bandwidth, and low phase distortion are obtained through use of the classic series-shunt feedback from the emitter-follower outputs to the inputs of the second stage. The emitter-follower outputs provide low output impedance, and enable the device to drive capacitive loads. The 733 is intended for use as a high-performance video and pulse amplifier in communications, magnetic memories, display and video recorder systems.

FEATURES

- 120MHz bandwidth
- 250kΩ input resistance
- Selectable gains of 10, 100, and 400
- No frequency compensation required
- MIL-STD-883A, B, C available

PIN CONFIGURATION



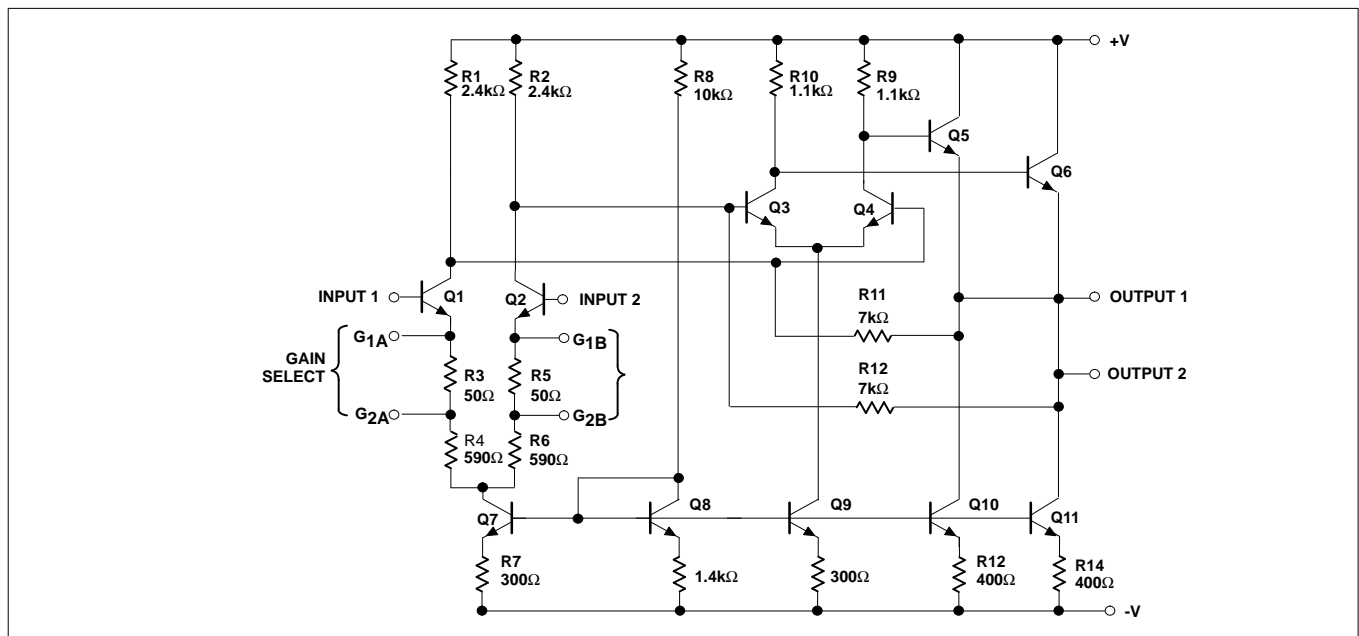
APPLICATIONS

- Video amplifier
- Pulse amplifier in communications
- Magnetic memories
- Video recorder systems

ORDERING INFORMATION

DESCRIPTION	TEMPERATURE	ORDER CODE	DWG #
14-Pin Plastic Dual In-Line Package (DIP)	-55°C to +125°C	μA733N	0405B
14-Pin Plastic Dual In-Line Package (DIP)	0 to +70°C	μA733CN	0405B

CIRCUIT SCHEMATIC



Differential video amplifier

 μ A733/733C

ABSOLUTE MAXIMUM RATINGS

SYMBOL	PARAMETER	RATING	UNIT
V _{DIFF}	Differential input voltage	±5	V
V _{CM}	Common-mode input voltage	±6	V
V _{CC}	Supply voltage	±8	V
I _{OUT}	Output current	10	mA
T _J	Junction temperature	+150	°C
T _{STG}	Storage temperature range	-65 to +150	°C
T _A	Operating ambient temperature range μ A733C μ A733	0 to +70	°C
		-55 to +125	°C
P _{D MAX}	Maximum power dissipation, 25°C ambient temperature (still-air) ¹	1420	mW

NOTE:

1. The following derating factors should be applied above 25°C:
N package at 11.4mW/°C

DC ELECTRICAL CHARACTERISTICS

T_A=+25°C, V_S=±6V, V_{CM}=0, unless otherwise specified. Recommended operating supply voltages V_S=±6.0V.

SYMBOL	PARAMETER	TEST CONDITIONS	μ A733C			μ A733			UNIT
			Min	Typ	Max	Min	Typ	Max	
	Differential voltage gain	R _I = 2k Ω , V _{OUT} = 3V _{P-P}							
	Gain 1 ²		250	400	600	300	400	500	V/V
	Gain 2 ²		80	100	120	90	100	110	V/V
	Gain 3 ³		8	10	12	9	10	11	V/V
BW	Gain 1 ¹			40			40		MHz
	Gain 2 ²			90			90		
	Gain 3 ³			120			120		
t _r	Gain 1 ¹	V _{OUT} = 1V _{P-P}		10.5			10.5		ns
	Gain 2 ²			4.5	12		4.5	10	ns
	Gain 3 ³			2.5			2.5		ns
t _{PD}	Gain 1 ¹	V _{OUT} = 1V _{P-P}		7.5			7.5		ns
	Gain 2 ²			6.0	10		6.0	10	ns
	Gain 3 ³			3.6			3.6		ns
R _{IN}	Gain 1 ²			4.0			4.0		k Ω
	Gain 2 ²		10	30		20	30		k Ω
	Gain 3 ³			250			250		k Ω
	Input capacitance ²	Gain 2		2.0			2.0		pF
I _{OS}	Input offset current			0.4	5.0		0.4	3.0	μ A
I _{BIAS}	Input bias current			9.0	30		9.0	20	μ A
V _{NOISE}	Input noise voltage	BW=1kHz to 10MHz		12			12		μ V _{RMS}
V _{IN}	Input voltage range		±1.0			±1.0			V
CMRR	Gain 2	V _{CM} =±1V, f≤100kHz	60	86		60	86		dB
	Gain 2	V _{CM} =±1V, f=5MHz		60			60		dB

Differential video amplifier

 μ A733/733C

DC ELECTRICAL CHARACTERISTICS (Continued)

SYMBOL	PARAMETER	TEST CONDITIONS	μ A733C			μ A733			UNIT
			Min	Typ	Max	Min	Typ	Max	
SVRR	Supply voltage rejection ratio Gain 2	$\Delta V_S = \pm 0.5V$	50	70		50	70		dB
	Output offset voltage	$R_L = \infty$							
	Gain 1 ¹			0.6	1.5		0.6	1.5	V
	Gain 2 and 3 ^{2, 3}			0.35	1.5		0.35	1.0	V
V _{CM}	Output common-mode voltage	$R_L = \infty$	2.4	2.9	3.4	2.4	2.9	3.4	V
	Output voltage swing, differential	$R_L = 2k\Omega$	3.0	4.0		3.0	4.0		V _{P-P}
I _{SINK}	Output sink current		2.5	3.6		2.5	3.6		mA
R _{OUT}	Output resistance			20			20		Ω
I _{CC}	Power supply current	$R_L = \infty$		18	24		18	24	mA
THE FOLLOWING SPECIFICATIONS APPLY OVER TEMPERATURE			0°C ≤ T _A ≤ 70°C			-55°C ≤ T _A ≤ 125°C			
			Min	Typ	Max	Min	Typ	Max	UNIT
	Differential voltage gain	$R_I = 2k\Omega, V_{OUT} = 3V_{P-P}$							
	Gain 1 ¹		250		600	200		600	V/V
	Gain 2 ²		80		120	80		120	V/V
	Gain 3 ³		8		12	8		12	V/V
R _{IN}	Input resistance								
	Gain 2 ²		8			8			k Ω
I _{OS}	Input offset current				6			5	μ A
I _{BIAS}	Input bias current				40			40	μ A
V _{IN}	Input voltage range		±1.0			±1.0			V
CMRR	Common-mode rejection ratio								
	Gain 2	$V_{CM} = \pm V, F \leq 100kHz$	50			50			dB
SVRR	Supply voltage rejection ratio								
	Gain 2	$\Delta V_S = \pm 0.5V$	50			50			dB
V _{OS}	Output offset voltage	$R_L = \infty$							
	Gain 1 ¹				1.5			1.5	V
	Gain 2 and 3 ^{2, 3}				1.5			1.2	V
V _{DIFF}	Output voltage swing, differential	$R_L = 2k\Omega$	2.8			2.5			V _{P-P}
I _{SINK}	Output sink current		2.5			2.2			mA
I _{CC}	Power supply current	$R_L \pm \infty$			27			27	mA

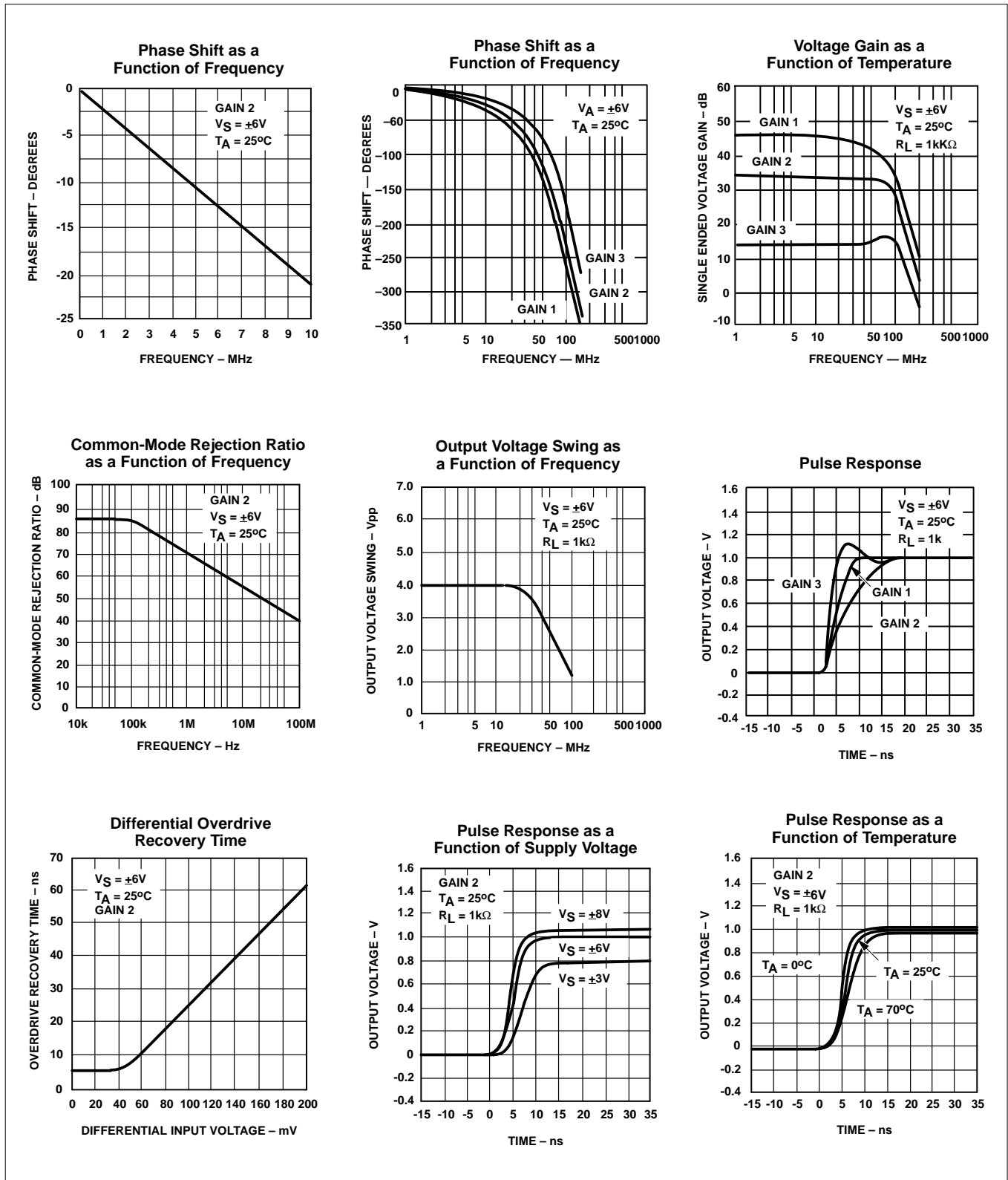
NOTES:

- Gain select pins G_{1A} and G_{1B} connected together.
- Gain select pins G_{2A} and G_{2B} connected together.
- All gain select pins open.

Differential video amplifier

μ A733/733C

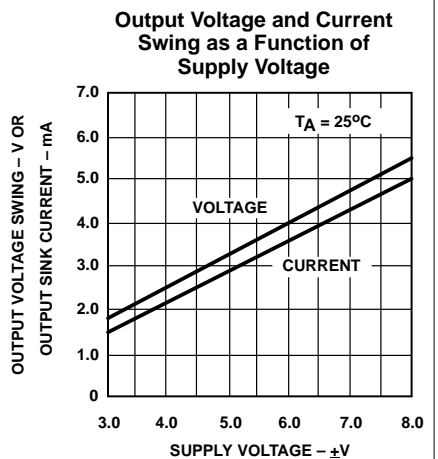
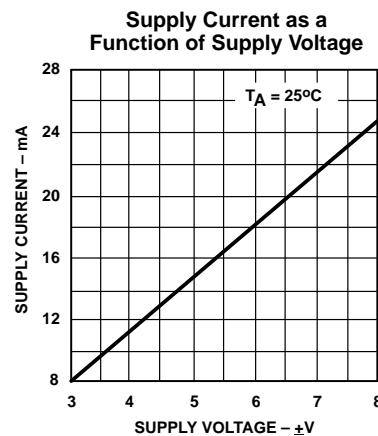
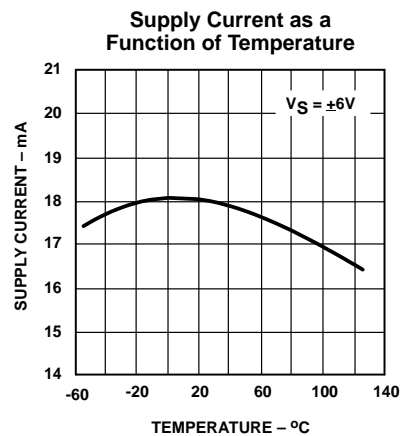
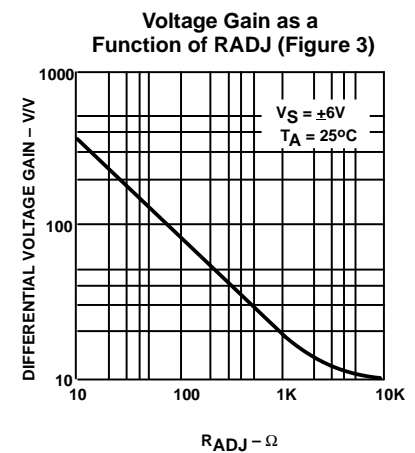
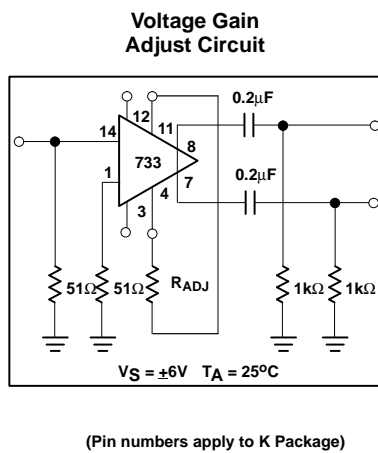
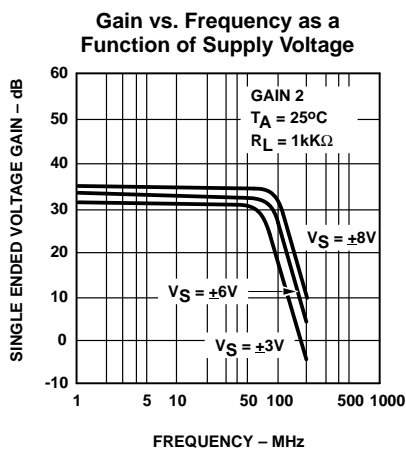
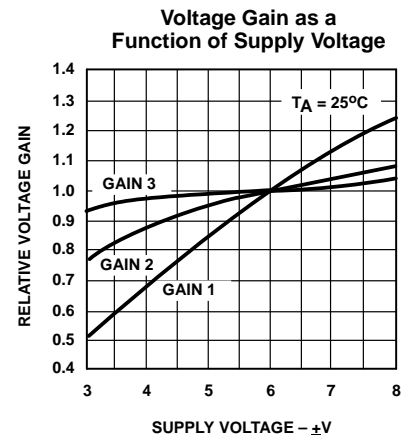
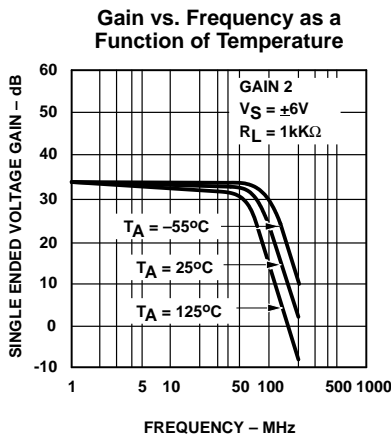
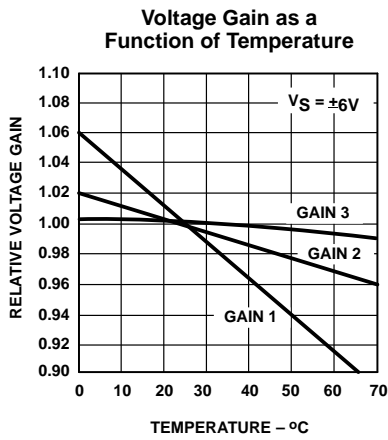
TYPICAL PERFORMANCE CHARACTERISTICS



Differential video amplifier

μ A733/733C

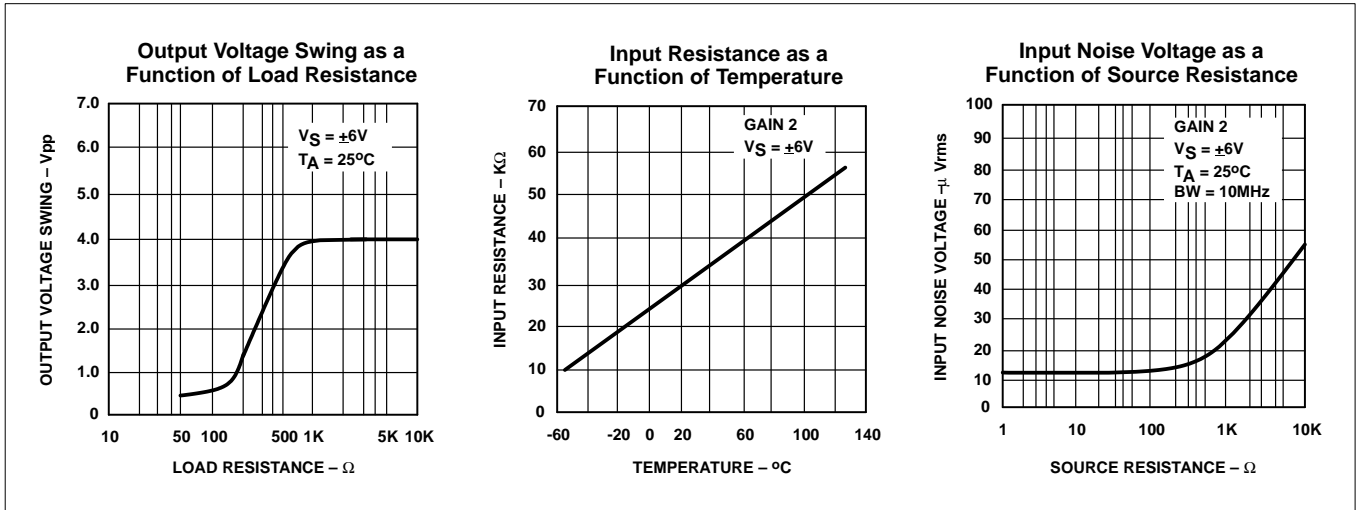
TYPICAL PERFORMANCE CHARACTERISTICS (Continued)



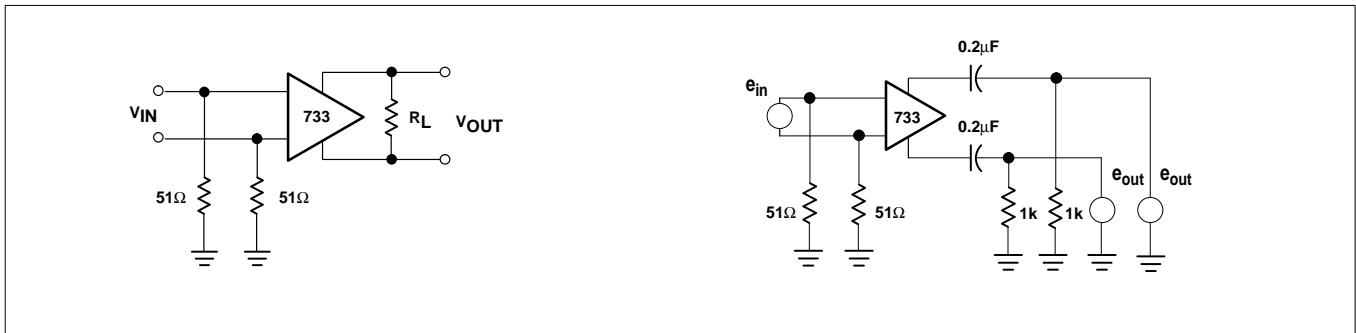
Differential video amplifier

μ A733/733C

TYPICAL PERFORMANCE CHARACTERISTICS (Continued)



TEST CIRCUITS $T_A=25^\circ C$, unless otherwise specified.



Free Manuals Download Website

<http://myh66.com>

<http://usermanuals.us>

<http://www.somanuals.com>

<http://www.4manuals.cc>

<http://www.manual-lib.com>

<http://www.404manual.com>

<http://www.luxmanual.com>

<http://aubethermostatmanual.com>

Golf course search by state

<http://golfingnear.com>

Email search by domain

<http://emailbydomain.com>

Auto manuals search

<http://auto.somanuals.com>

TV manuals search

<http://tv.somanuals.com>