



Use this simple and quick way to listen to your favorite CD, cassette, or radio station.



PHILIPS



TO CONNECT YOUR **FWC788 MINI HI-FI SYSTEM FOLLOW THESE STEPS:**

1 ANTENNA CONNECTIONS

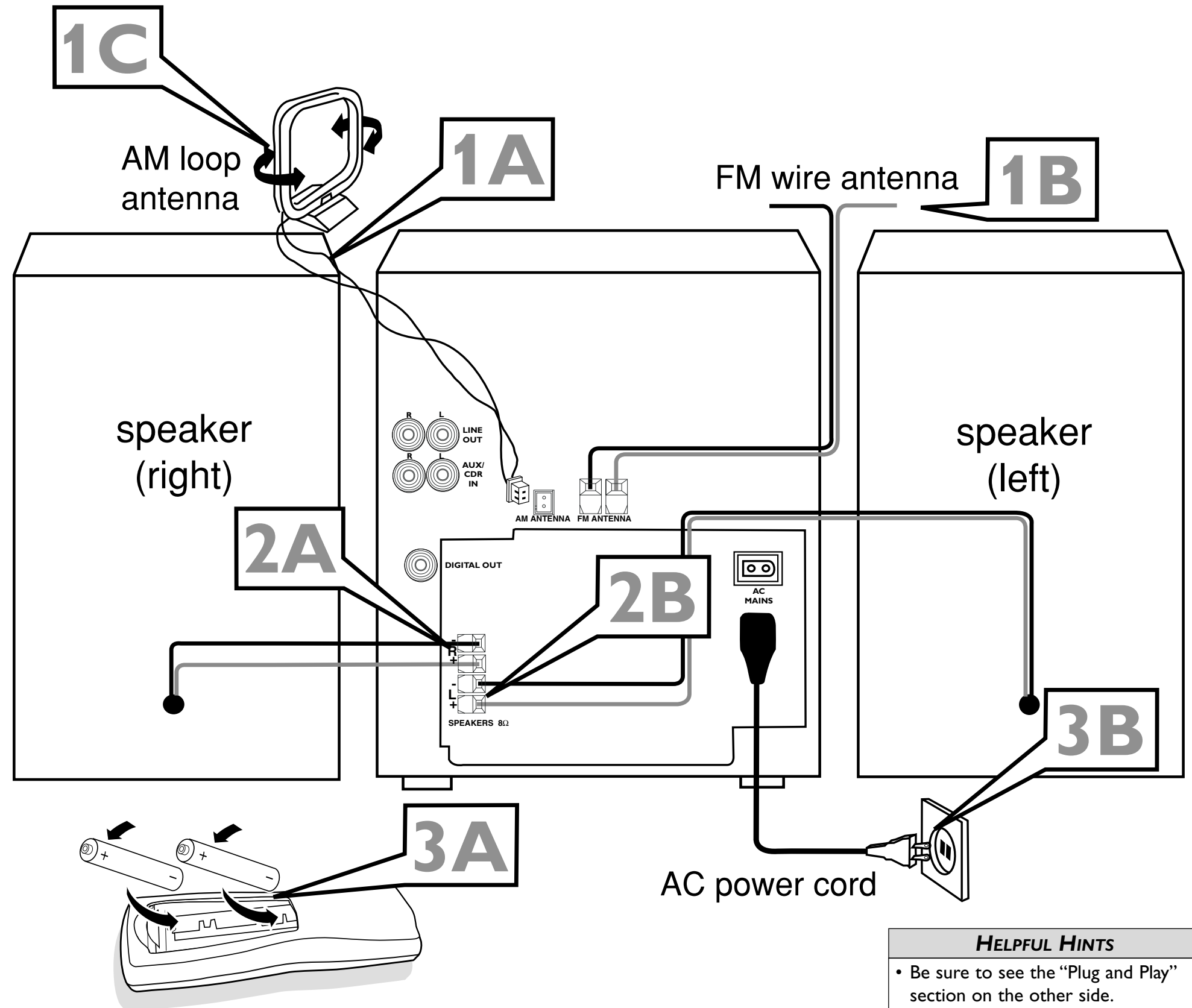
- A** Connect the supplied **AM loop antenna** to the **AM ANTENNA** jacks.
- B** Connect the supplied **FM antenna** to the **FM ANTENNA** jacks. For better reception connect an outdoor FM antenna (not supplied).
- C** Adjust the antennas for optimal reception.

2 SPEAKER CONNECTIONS

- A** Connect the **Right speaker wires** to the **"R"** jacks . Connect the colored wire to the **"—"** jack and the black wire to the **"+"** jack.
- B** Connect the **Left speaker wires** to the **"L"** jacks . Connect the colored wire to the **"—"** jack and the black wire to the **"+"** jack.

3 FINAL PREPARATION

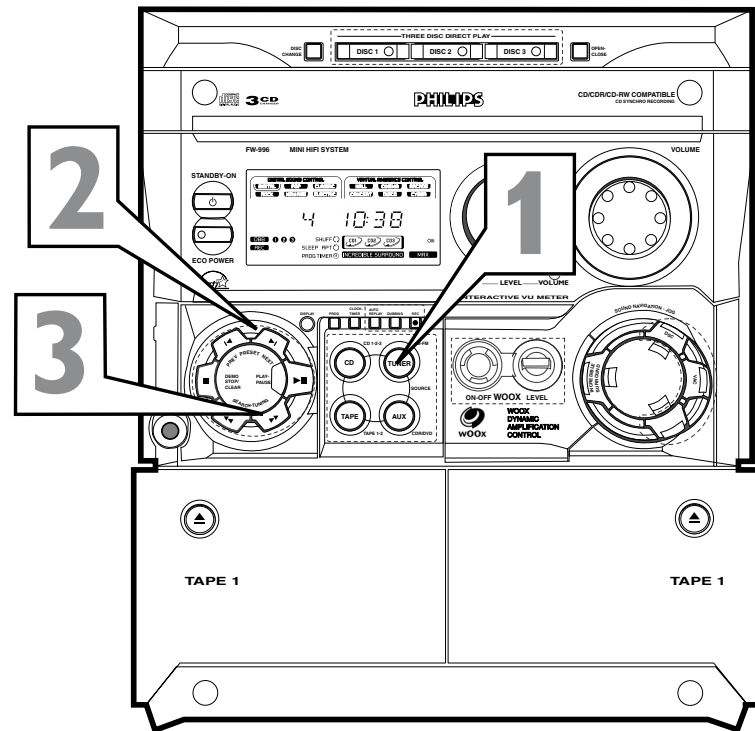
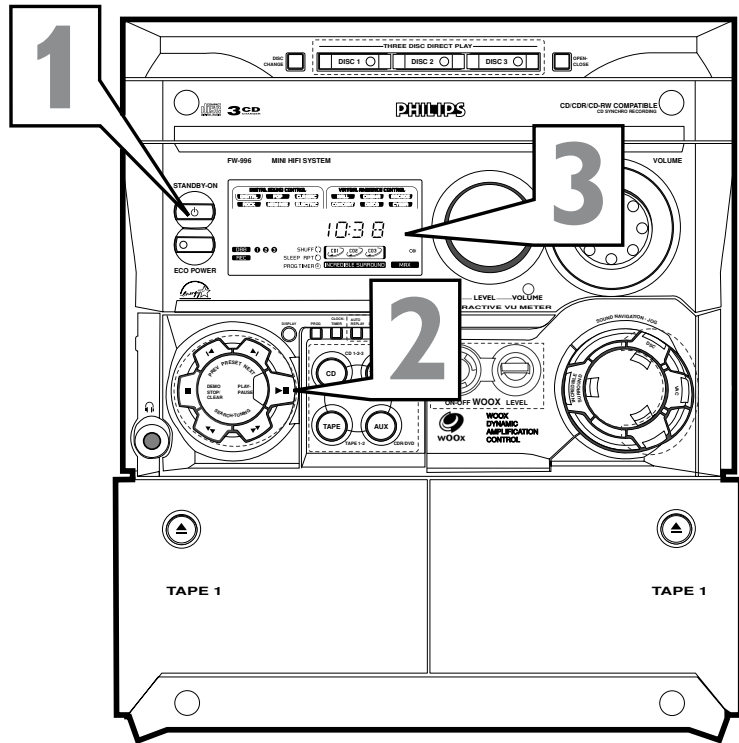
- A** Insert two (2) **AA batteries** into the remote control. Be sure to line up the polarity, **+** to **+** and **-** to **-**.
- B** Plug the **AC power cord** into an outlet.



HELPFUL HINTS

- Be sure to see the "Plug and Play" section on the other side.

Quick Use Guide



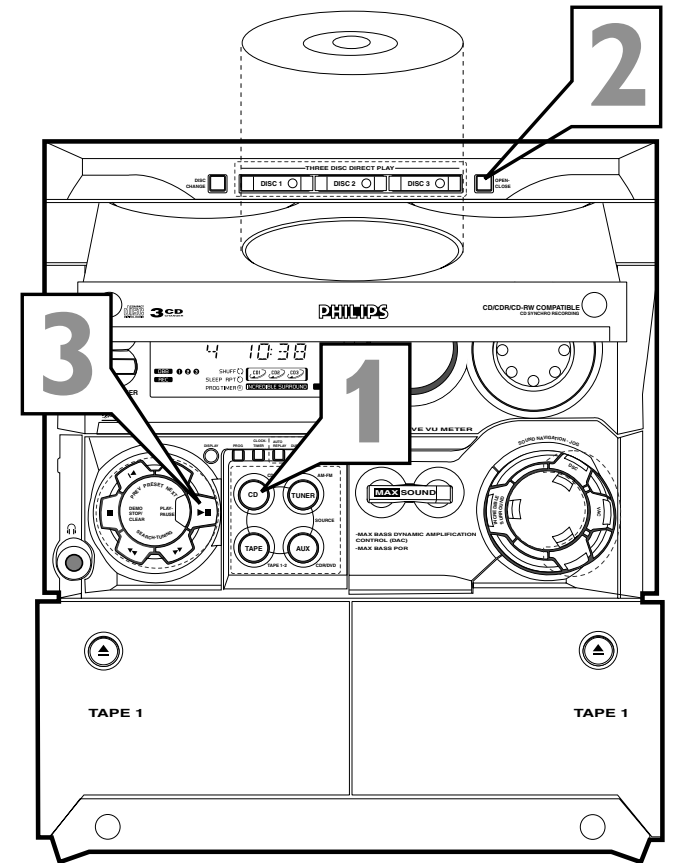
PLUG and PLAY

Plug and play automatically detects and programs all available radio stations (up to 40). Plug and Play will be activated when you turn on the system for the first time.

- 1 Turn the system on.
- 2 "AUTO INSTALL—PRESS PLAY" will appear in the display window. Press the **PLAY ►** button.
 - "INSTALL" will appear, followed by "TUNER" then "AUTO".
 - "Prog" flashes as the tuner searches for radio stations on the FM and AM bands.
- 3 The system stops searching and the last pre-set station plays when all radio stations with sufficient signal have been programmed, or the limit of 40 programmed stations has been reached.
 - If you skip Plug and Play installation, it will reactivate next time you turn the system on.

CD PLAYBACK

- 1 Press **CD** to select CD mode.
- 2 Load the disc tray. Press **OPEN•CLOSE** to open the disc tray. Place a disc in the disc tray. Press **DISC CHANGE** to load the other tray. Press **OPEN•CLOSE** to close the disc tray.
- 3 Press **PLAY►** to play all discs in the disc changer.

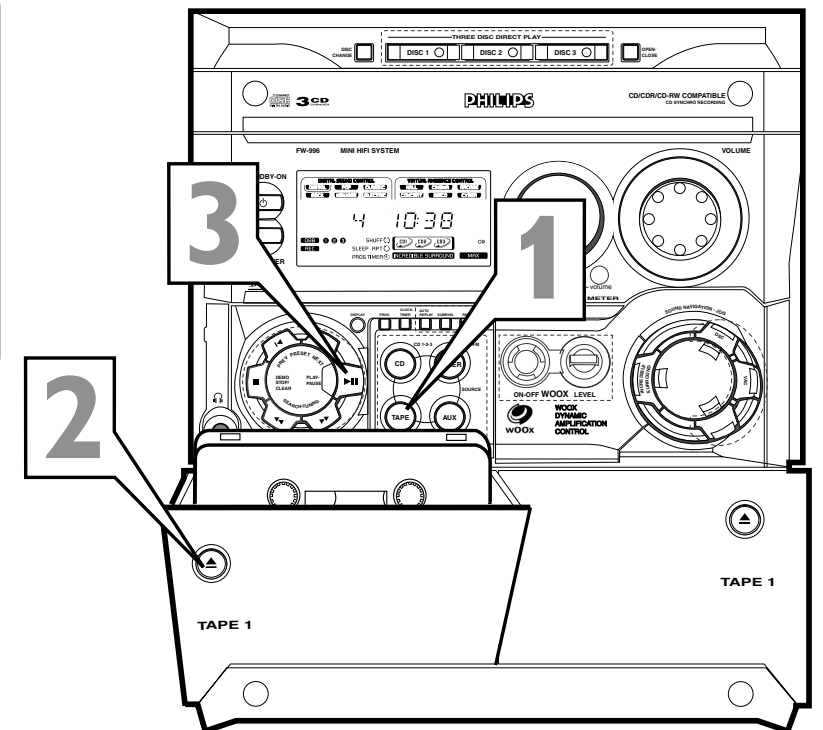


RADIO

- 1 Press **TUNER** to select Tuner mode.
- 2 Press **◀** or **▶** to tune to a programmed radio station.
- 3 Press **◀◀** or **▶▶** briefly and repeatedly to manually tune to a radion station

CASSETTE Playback

- 1 Press **TAPE** to select the deck (1 or 2).
- 2 Place a tape in the selected deck. Press **▲** to open the tape deck door. tray. Insert a tape with the open side down and the full spool on the left. Close the tape deck door.
- 3 Press **PLAY►** to play the tape.



Free Manuals Download Website

<http://myh66.com>

<http://usermanuals.us>

<http://www.somanuals.com>

<http://www.4manuals.cc>

<http://www.manual-lib.com>

<http://www.404manual.com>

<http://www.luxmanual.com>

<http://aubethermostatmanual.com>

Golf course search by state

<http://golfingnear.com>

Email search by domain

<http://emailbydomain.com>

Auto manuals search

<http://auto.somanuals.com>

TV manuals search

<http://tv.somanuals.com>