

Register your product and get support at  
[www.philips.com/welcome](http://www.philips.com/welcome)

Micro System

MCM280D/12



---

EN User manual

---

DA Brugervejledning

---

DE Benutzerhandbuch

---

ES Användarhandbok

---

FR Mode d'emploi

---

IT Manuale utente

---

NL Gebruiksaanwijzing

---

SV Användarhandbok

# PHILIPS

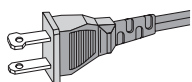
# Contents

<b>1</b>	<b>Important</b>	<b>2</b>	<b>8</b>	<b>Listen to the radio</b>	<b>17</b>
	Safety	2		Tune to a radio station	17
	Notice	4		Program radio stations automatically	17
				Program radio stations manually	17
				Select a preset radio station	17
				Show RDS information	18
				Set RDS clock	18
<b>2</b>	<b>Your Micro System</b>	<b>5</b>	<b>9</b>	<b>Adjust sound</b>	<b>19</b>
	Introduction	5		Adjust volume level	19
	What's in the box	5		Select a preset sound effect	19
	Overview of the main unit	6		Enhance bass	19
	Overview of the remote control	7		Mute sound	19
<b>3</b>	<b>Get started</b>	<b>9</b>	<b>10</b>	<b>Use more of your Micro System</b>	<b>20</b>
	Mount the stand	9		Set the sleep timer	20
	Connect FM antenna	9		Set the alarm timer	20
	Connect speakers	9		Listen through headphone	20
	Connect power	10	<b>11</b>	<b>Product information</b>	<b>21</b>
	Prepare the remote control	10		Specifications	21
	Set clock	10		Supported MP3 disc formats	21
	Turn on	11		USB playability information	22
				Maintenance	22
<b>4</b>	<b>Play</b>	<b>12</b>	<b>12</b>	<b>Troubleshooting</b>	<b>23</b>
	Play disc	12			
	Play from USB	12			
	Delete files in the USB device	12			
	Listen to an external device	12			
<b>5</b>	<b>Play options</b>	<b>13</b>			
	Repeat and random play	13			
	Program tracks	13			
	Display play information	13			
<b>6</b>	<b>Record</b>	<b>14</b>			
<b>7</b>	<b>Play iPod/iPhone</b>	<b>15</b>			
	Compatible iPod/iPhone	15			
	Load the iPod/iPhone	15			
	Listen to the iPod/iPhone	16			
	Charge the iPod/iPhone	16			
	Remove the iPod/iPhone	16			

# 1 Important

## Safety

- ① Read these instructions.
- ② Keep these instructions.
- ③ Heed all warnings.
- ④ Follow all instructions.
- ⑤ Do not use this apparatus near water.
- ⑥ Clean only with dry cloth.
- ⑦ Do not block any ventilation openings. Install in accordance with the manufacturer's instructions.
- ⑧ Do not install near any heat sources such as radiators, heat registers, stoves, or other apparatus (including amplifiers) that produce heat.
- ⑨ For countries with a polarized mains, do not defeat the safety purpose of the polarized or grounding-type plug. A polarized plug has two blades with one wider than the other. A grounding type plug has two blades and a third grounding prong. The wide blade or the third prong is provided for your safety. If the provided plug does not fit into your outlet, consult an electrician for replacement of the obsolete outlet. Caution: To prevent electric shock, match the wide blade of the plug to the wide slot, fully insert.



- ⑩ Protect the power cord from being walked on or pinched, particularly at plugs, convenience receptacles, and the point where they exit from the apparatus.

- ⑪ Only use attachments/accessories specified by the manufacturer.
- ⑫ Use only with the cart, stand, tripod, bracket, or table specified by the manufacturer or sold with the apparatus. When a cart is used, use caution when moving the cart/apparatus combination to avoid injury from tip-over.



- ⑬ Unplug this apparatus during lightning storms or when unused for long periods of time.
- ⑭ Refer all servicing to qualified service personnel. Servicing is required when the apparatus has been damaged in any way, such as power-supply cord or plug is damaged, liquid has been spilled or objects have fallen into the apparatus, the apparatus has been exposed to rain or moisture, does not operate normally, or has been dropped.
- ⑮ Battery usage CAUTION – To prevent battery leakage which may result in bodily injury, property damage, or damage to the apparatus:
  - Install all batteries correctly, + and - as marked on the apparatus.
  - Do not mix batteries (old and new or carbon and alkaline, etc.).
  - Remove batteries when the unit is not used for a long time.
  - The batteries shall not be exposed to excessive heat such as sunshine, fire or the like.
- ⑯ Apparatus shall not be exposed to dripping or splashing.
- ⑰ Do not place any sources of danger on the apparatus (e.g. liquid filled objects, lighted candles).

- ⑱ This product may contain lead and mercury. Disposal of these materials may be regulated due to environmental considerations. For disposal or recycling information, please contact your local authorities or the Electronic Industries Alliance: [www.eiae.org](http://www.eiae.org).



### Warning

- Never remove the casing of this apparatus.
- Never lubricate any part of this apparatus.
- Never place this apparatus on other electrical equipment.
- Keep this apparatus away from direct sunlight, naked flames or heat.
- Never look into the laser beam inside this apparatus.
- Ensure that you always have easy access to the power cord, plug or adaptor to disconnect this apparatus from the power.

- Where the MAINS plug or an appliance coupler is used as the disconnect device, the disconnect device shall remain readily operable.



### Caution

- Use of controls or adjustments or performance of procedures other than herein may result in hazardous radiation exposure or other unsafe operation.

### To establish a safe volume level:

- Set your volume control at a low setting.
- Slowly increase the sound until you can hear it comfortably and clearly, without distortion.

### Listen for reasonable periods of time:

- Prolonged exposure to sound, even at normally 'safe' levels, can also cause hearing loss.
- Be sure to use your equipment reasonably and take appropriate breaks.

### Be sure to observe the following guidelines when using your headphones.

- Listen at reasonable volumes for reasonable periods of time.
- Be careful not to adjust the volume as your hearing adapts.
- Do not turn up the volume so high that you can't hear what's around you.
- You should use caution or temporarily discontinue use in potentially hazardous situations. Do not use headphones while operating a motorized vehicle, cycling, skateboarding, etc.; it may create a traffic hazard and is illegal in many areas.

## Hearing safety

### Listen at a moderate volume.

- Using headphones at a high volume can impair your hearing. This product can produce sounds in decibel ranges that may cause hearing loss for a normal person, even for exposure less than a minute. The higher decibel ranges are offered for those that may have already experienced some hearing loss.
- Sound can be deceiving. Over time your hearing 'comfort level' adapts to higher volumes of sound. So after prolonged listening, what sounds 'normal' can actually be loud and harmful to your hearing. To guard against this, set your volume to a safe level before your hearing adapts and leave it there.

## Notice

Any changes or modifications made to this device that are not expressly approved by Philips Consumer Lifestyle may void the user's authority to operate the equipment.



Be responsible  
Respect copyrights

The making of unauthorized copies of copy-protected material, including computer programs, files, broadcasts and sound recordings, may be an infringement of copyrights and constitute a criminal offence. This equipment should not be used for such purposes.

Recording and playback of material might require consent. See Copyright Act 1956 and The Performer's Protection Acts 1958 to 1972.

**This apparatus includes this label:**



This product complies with the radio interference requirements of the European Community.

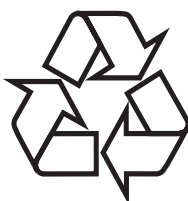


This product complies with the requirements of the following directives and guidelines: 2004/108/EC + 2006/95/EC

Any changes or modifications made to this device that are not expressly approved by Philips Consumer Lifestyle may void the user's authority to operate the equipment.

## Recycling

Your product is designed and manufactured with high quality materials and components, which can be recycled and reused.



When you see the crossed-out wheel bin symbol attached to a product, it means the product is covered by the European Directive 2002/96/EC:



Never dispose of your product with other household waste.

Please inform yourself about the local rules on the separate collection of electrical and electronic products. The correct disposal of your old product helps prevent potentially negative consequences on the environment and human health.

Your product contains batteries covered by the European Directive 2006/66/EC, which cannot be disposed of with normal household waste.

When you see the crossed-out wheel bin symbol with the chemical symbol 'Pb', it means that the batteries comply with the requirement set by the directive for lead:



Pb

Please inform yourself about the local rules on separate collection of batteries. The correct disposal of batteries helps prevent potentially negative consequences on the environment and human health.

### Environmental information

All unnecessary packaging has been omitted. We have tried to make the packaging easy to separate into three materials: cardboard (box), paper pulp (buffer) and polyethylene (bags, protective foam sheet.)

Your system consists of materials which can be recycled and reused if disassembled by a specialized company. Please observe the local regulations regarding the disposal of packaging materials, exhausted batteries and old equipment.

## 2 Your Micro System

Congratulations on your purchase, and welcome to Philips! To fully benefit from the support that Philips offers, register your product at [www.philips.com/welcome](http://www.philips.com/welcome).

### Introduction

With this apparatus, you can:

- enjoy music from audio discs, iPod, iPhone, and other external devices
- listen to radio stations
- record audio from discs to a USB storage device.

The apparatus offers you multiple sound effect settings that enrich sound with Digital Sound Control (DSC) and Dynamic Bass Boost (DBB). The apparatus supports the following media formats:



#### Note

- The type plate is located on the back of the apparatus.

### What's in the box

Check and identify the contents of your package:

- Main unit
- Power adapter
- Loudspeaker boxes x 2
- Remote control
- Dock for iPod/iPhone (with dock cable)
- Base
- User manual
- Quick start guide

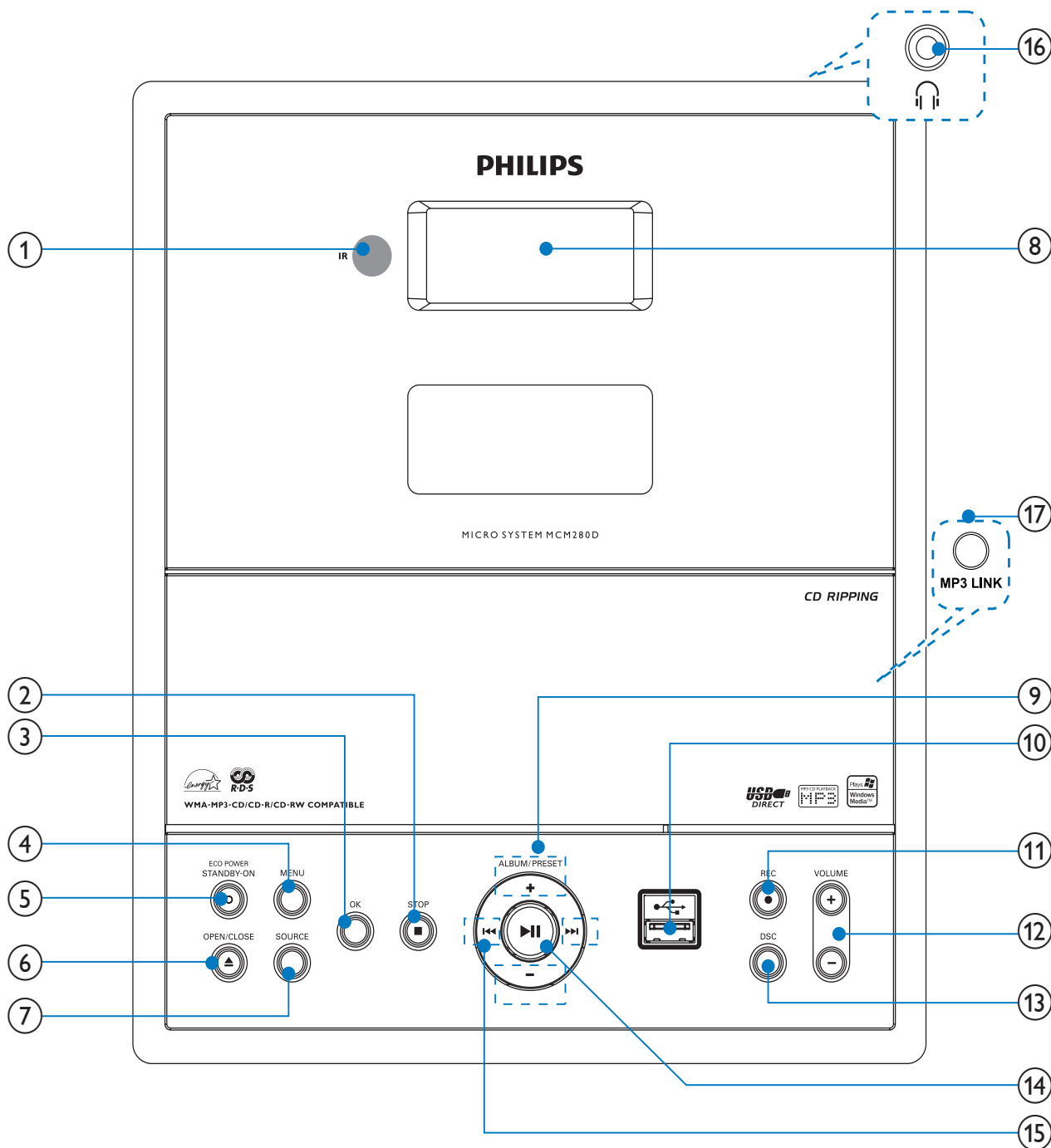
#### Norge

Typeskilt finnes på apparatens underside.

Observer: Nettbryteren er sekundert innkopleet. Den innebygde nettdelen er derfor ikke frakopleet nettet så lenge apparatet er tilsluttet nettkontakten.

For å redusere faren for brann eller elektrisk støt, skal apparatet ikke utsettes for regn eller fuktighet.

# Overview of the main unit



① Remote control sensor

- ② ■
- Stop play.
  - Stop recording.
  - Erase a program.

③ OK

- Confirm a selection.

④ MENU

- Select the iPhone/iPod menu.

⑤ ECO POWER/STANDBY-ON





- Turn on the apparatus, switch to standby mode, or Eco Power standby mode.

⑥ OPEN/CLOSE

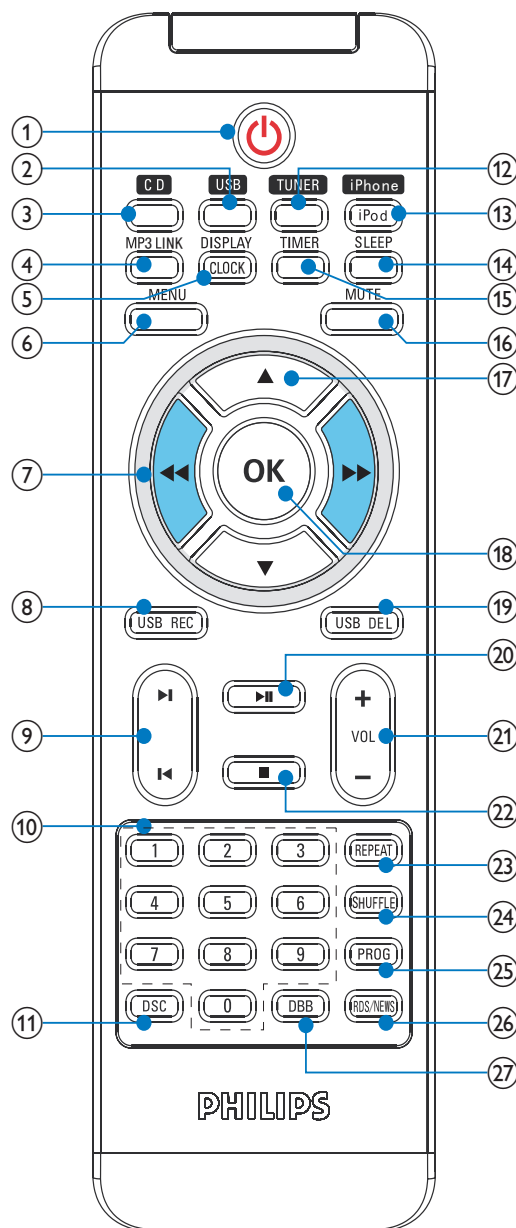
- Open or close the disc compartment.


⑦ SOURCE

- Select a source.

- ⑧ **Display panel**
  - Display current status.
- ⑨ **ALBUM /PRESET+/-**
  - Skip to the previous/next album.
  - Select a preset radio station.
  - Navigate in the iPod/iPhone menu.
- ⑩ 
  - USB socket.
- ⑪ **REC**
  - Record audio files from a disc to a USB storage device.
- ⑫ **VOLUME+/-**
  - Adjust volume.
  - Adjust time.
- ⑬ **DSC**
  - Select a preset sound setting.
- ⑭ 
  - Start or pause play.
- ⑮ 
  - Skip to the previous/next track.
  - Search within a track.
  - Tune to a radio station.
- ⑯ 
  - Connect headphone.

## Overview of the remote control



- ① 
  - Switch to standby mode, or Eco Power standby mode.
- ② **USB**
  - Select USB device source.
- ③ **CD**
  - Select disc source.
- ④ **MP3 LINK**
  - Select external audio device source.



- ⑤ **DISPLAY/CLOCK**
  - Select display information during play.
  - Set the clock.
  - View the clock.
- ⑥ **MENU**
  - Select the iPhone/iPod menu.
- ⑦ **◀◀/▶▶**
  - Tune to a radio station.
  - Search within a track.
- ⑧ **USB REC**
  - Start record.
  - Select a record mode.
- ⑨ **⏮/⏭**
  - Skip to the previous/next track.
  - Select a preset radio station.
- ⑩ **Numeric keypad 0-9**
  - Select a preset radio station.
  - Select a track from a disc directly.
- ⑪ **DSC**
  - Select a preset sound setting.
- ⑫ **TUNER**
  - Select tuner source.
- ⑬ **iPhone/iPod**
  - Select iPhone or iPod source.
- ⑭ **SLEEP**
  - Set the sleep timer.
- ⑮ **TIMER**
  - Set the alarm timer.
  - Activate or deactivate timer.
- ⑯ **MUTE**
  - Mute or restore volume.
- ⑰ **▲▼**
  - Navigate in the iPod/iPhone menu.
  - Skip to the previous/next album.
- ⑱ **OK**
  - Confirm a selection.
- ⑲ **USB DEL**
  - Delete files in a USB storage device.
- ⑳ **▶||**
  - Start or pause play.
- ㉑ **VOL +/-**
  - Adjust volume.
  - Adjust time.
- ㉒ **■**
  - Stop play.
  - Erase a program.
- ㉓ **REPEAT**
  - Select repeat play modes.
- ㉔ **SHUFFLE**
  - Select shuffle play modes.
- ㉕ **PROG**
  - Program tracks.
  - Program radio stations.
- ㉖ **RDS/NEWS**
  - For selected FM radio stations: display RDS information.
- ㉗ **DBB**
  - Turn on or off dynamic bass enhancement.

# 3 Get started

## ! Caution

- Use of controls or adjustments or performance of procedures other than herein may result in hazardous radiation exposure or other unsafe operation.

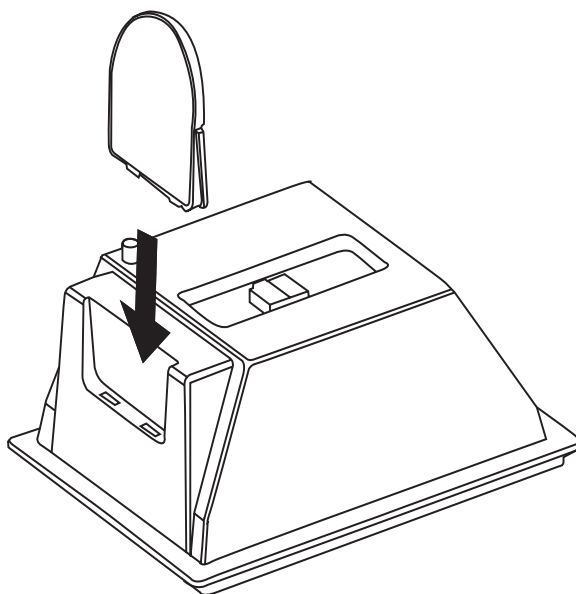
Always follow the instructions in this chapter in sequence.

If you contact Philips, you will be asked for the model and serial number of this apparatus. The model number and serial number are on the back of the apparatus. Write the numbers here:

Model No. \_\_\_\_\_

Serial No. \_\_\_\_\_

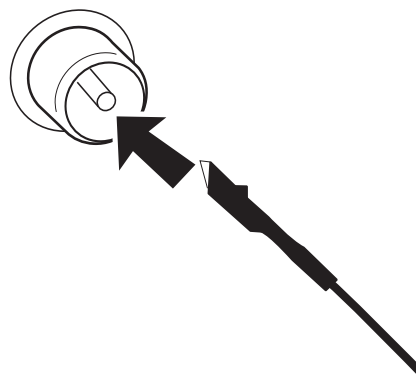
## Mount the stand



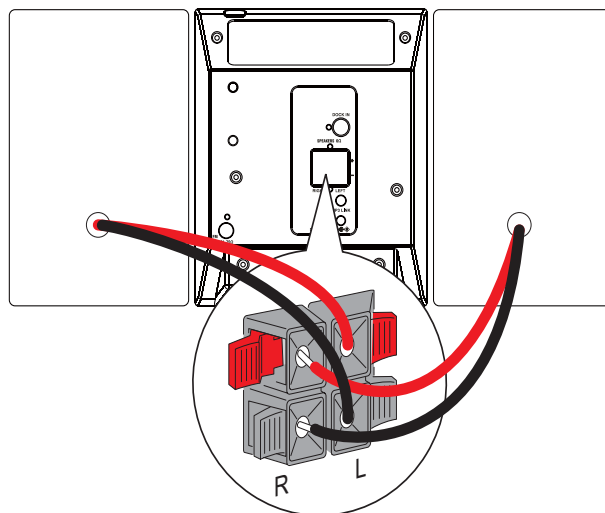
- 1 Lay down the main unit and then slide the base in the slot until it is fixed.

## Connect FM antenna

- 1 Connect the supplied FM antenna to the **FM AERIAL** socket on the back of the main unit.



## Connect speakers



## ≡ Note

- Ensure that the colors of the speaker wires and terminals are matched.

- 1 Hold down the socket flap.
- 2 Insert the stripped part of the wire completely.
  - Insert the right speaker wires to "RIGHT", left speaker wires to "LEFT".

- Insert the red/blue wires to “+”, black wires to “-”.

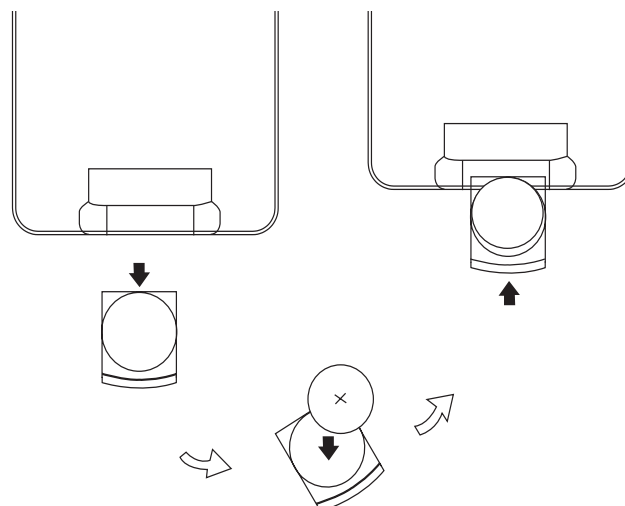
**3** Release the socket flap.

## Connect power

### ! Caution

- Risk of product damage! Ensure that the power supply voltage corresponds to the voltage printed on the back or the underside of the apparatus.
- Risk of electric shock! When you unplug the AC power cord, always pull the plug from the socket. Never pull the cord.
- Before connecting the AC power cord, ensure you have completed all other connections.

- 1 Connect the power adapter to
  - the **DC IN** jack on the rear of the main unit
  - the power socket.



### ☰ Note

- Before pressing any function button on the remote control, first select the correct source with the remote control instead of the main unit.
- If you are not going to use the remote control for a long time, remove the battery.

## Prepare the remote control

### ! Caution

- Risk of explosion! Keep batteries away from heat, sunshine or fire. Never discard batteries in fire.

#### For first-time use:

- 1 Remove the protective tab to activate the remote control battery.

#### To replace the remote control battery:

- 1 Open the battery compartment.
- 2 Insert one CR2025 battery with correct polarity (+/-) as indicated.
- 3 Close the battery compartment.

## Set clock

- 1 In standby mode, press **DISPLAY/CLOCK** to activate the clock setting mode.
  - ↳ The hour digits are displayed and begin to blink.
- 2 Press **■** repeatedly to select 12 hour or 24 hour format.
- 3 Press **VOL +/-** to set the hour.
- 4 Press **DISPLAY/CLOCK** to confirm.
  - ↳ The minute digits are displayed and begin to blink.
- 5 Press **VOL +/-** to set the minute.
- 6 Press **DISPLAY/CLOCK** to confirm.

---

## Turn on

- 1 Press **STANDBY-ON** on the main unit.
  - ↳ The apparatus switches to the last selected source.

---

## Switch to standby

- 1 Press  $\odot$  to switch the apparatus to standby mode.
  - ↳ The backlight on the display panel is reduced.
  - ↳ The clock (if set) appears on the display panel.

### To switch the apparatus to Eco Power

#### Standby mode:

- 1 In standby mode, press and hold  $\odot$  for more than 2 seconds.
  - ↳ The backlight on the display panel turns off.

# 4 Play

---

## Play disc

- 1 Press **CD** to select the disc source.
- 2 Press **▲** to open the disc tray.
- 3 Insert a disc with the printed side facing up, then close the disc tray.
  - ↳ Play starts automatically.
    - To pause/resume play, press **▶||**.
    - To stop play, press **■**.
    - For MP3/WMA files: to select an album, press **▲▼**.
    - To skip to a track, press **⏮/▶**.
    - To search within a track, press and hold **⏮/▶**. Release to resume normal play.

---

## Play from USB



### Note

- Ensure that the USB device contains playable audio content.

- 1 Flip open the USB socket cover on the front panel.
- 2 Insert the USB plug of a USB device into the socket.
- 3 Press **USB** to select the USB source.
  - ↳ Play starts automatically.
    - To pause/resume play, press **▶||**.
    - To stop play, press **■**.
    - For MP3/WMA files: to select an album, press **▲▼**.
    - To skip to a track, press **⏮/▶**.
    - To search within a track, press and hold **⏮/▶**. Release to resume normal play.

---

## Delete files in the USB device

- 1 Press **⏮/▶** to select a track.
- 2 Press **USB DEL**.
  - ↳ A confirmation message is displayed.
- 3 Press **USB DEL** again to confirm.
  - To cancel, press **■**.
  - ↳ After you delete the file, the USB play stops.

---

## Listen to an external device

You can also listen to an external audio device through this unit.

**For an audio device with a headphone socket:**

- 1 Press **MP3 LINK** to select the MP3 link source.
- 2 Connect the supplied MP3 link cable to
  - the **MP3 LINK** socket on this unit.
  - the headphone socket on an MP3 player.
- 3 Start to play the MP3 player. (See the user manual of the MP3 player)

# 5 Play options

---

## Repeat and random play

- 1 Press **REPEAT** or **SHUFFLE** repeatedly to select:
  - **[REP]** (repeat): the current track is played repeatedly.
  - **[REP ALL]** (repeat all): all tracks are played repeatedly.
  - **[SHUF]** (shuffle): all tracks are played randomly.
  - **[SHUF REP ALL]** (repeat all randomly): all tracks are played repeatedly in random order.
- 2 To return to normal play, press **REPEAT** or **SHUFFLE** repeatedly until play mode is no longer displayed.

---

## Program tracks

You can program a maximum of 20 tracks.

- 1 In CD/USB mode, at the stop position, press **PROG** to activate the program mode.
  - ↳ **[PROG]** (program) blinks on the display.
- 2 For MP3/WMA tracks, press **▲▼** to select an album.
- 3 Press **◀▶** to select a track number, then press **PROG** to confirm.
- 4 Repeat steps 2 to 3 to program more tracks.
- 5 Press **▶||** to play the programmed tracks.
  - ↳ During play, **[PROG]** (program) is displayed.
    - To erase the program, in the stop position, press **■**.
    - To review the program, in the stop position, press and hold **PROG** for more than 2 seconds.

---

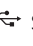
## Display play information

- 1 During play, press **DISPLAY/CLOCK** repeatedly to select different play information.

# 6 Record

You can record the audio files on a disc into a USB device. Audio CD tracks and MP3 files are recorded in .mp3 format, and WMA files are recorded in .wma format.

The first time you record to USB, a folder called 'PHILIPS' is automatically created in the USB device. Each time you record to USB, the recorded files are stored in a sub-folder in the 'PHILIPS' folder. Files and sub-folders are named numerically in the order in which they are created.

- 1 Press **CD** to select the disc source.
- 2 Load a disc.
  - To select a track from which a recording starts, press the numeric buttons.
- 3 Plug a USB storage device into  socket of this apparatus.
- 4 Press **USB REC** repeatedly to select:
  - **[RIP ONE]** (record one): record the selected track.
  - **[RIP ALL]** (record all): record all tracks from the selected one.

↳ Disc play starts automatically from the beginning of the disc/the selected track, and the recording starts.

  - To stop recording, press **■**.

## Note

- When space is not enough, **[USB FULL]** (memory full) is displayed.
- If a recorded track lasts less than 10 seconds, it is not saved in the USB storage device.

# 7 Play iPod/iPhone

You can enjoy audio from iPod/iPhone through this apparatus.

---

## Compatible iPod/iPhone

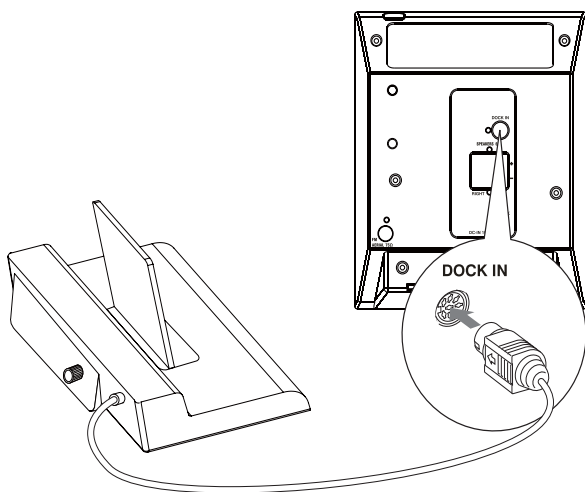
Compatible Apple iPod and iPhone models with a 30-pin dock connector include:

- iPod classic, iPod touch, iPod nano, iPod 5th generation (video), iPod mini.
- iPhone, iPhone 3G.

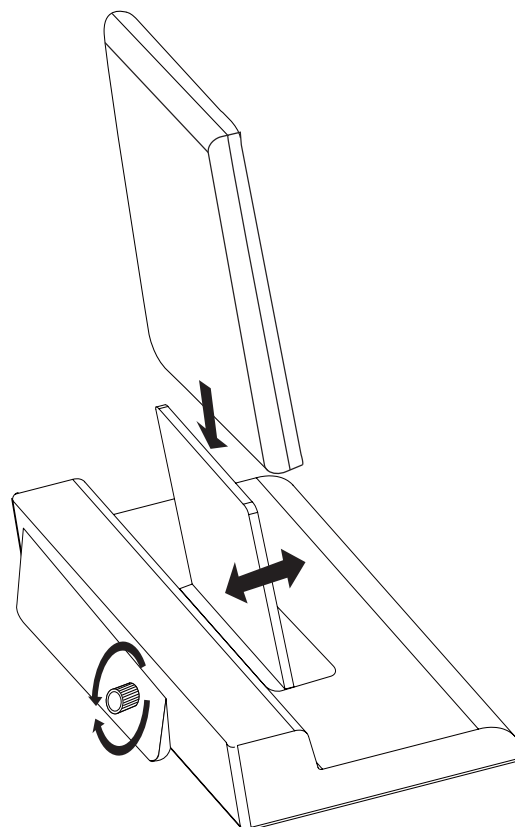
---

## Load the iPod/iPhone

- 1 Connect the dock to the apparatus.



- 2 Turn the screw to loosen the support plate.



- 3 Place the iPod/iPhone in the dock.
- 4 Turn the screw to fix the iPod/iPhone securely.  
↳ When the apparatus is connected to power, the docked iPod/iPhone begins to charge.



---

## Listen to the iPod/iPhone

- 1 Ensure that the iPod/iPhone is loaded correctly.
- 2 Press **iPhone/iPod** to select iPod/iPhone source.
  - ↳ The connected iPod/iPhone plays automatically.
    - To pause/resume play, press **▶||**.
    - To skip to a track, press **◀|▶**.
    - To search during play: press and hold **◀|▶**, then release to resume normal play.
    - To navigate the menu: press **MENU**, press **▲▼** to select, then press **OK** to confirm.

---

## Charge the iPod/iPhone

When the apparatus is connected to power, the docked iPod/iPhone begins to charge.

---

## Remove the iPod/iPhone

- 1 Pull the iPod/iPhone out of the dock.



- If it is hard to pull out the iPod or iPhone, turn the screw clockwise to loosen the support.

# 8 Listen to the radio

## Tune to a radio station

### Note

- For optimal reception, fully extend and adjust the position of the FM antenna.

- 1 Press **TUNER** to select the tuner source.
- 2 Press and hold **◀▶** for more than 2 seconds.
  - ↳ [SEARCH] (search) is displayed.
  - ↳ The radio tunes to a station with strong reception automatically.
- 3 Repeat step 2 to tune to more stations.
  - To tune to a weak station, press **◀▶** repeatedly until you find optimal reception.

## Program radio stations automatically

### Note

- You can program a maximum of 40 FM radio stations.

- 1 In tuner mode, press and hold **PROG** for more than 2 seconds to activate automatic program mode.
  - ↳ [AUTO] (auto) is displayed.
  - ↳ All available stations are programmed in the order of waveband reception strength.
  - ↳ The first programmed radio station is broadcast automatically.

## Program radio stations manually

### Note

- You can program a maximum of 40 FM radio stations.

- 1 Tune to a radio station.
- 2 Press **PROG** to activate program mode.
  - ↳ [PROG] (program) blinks on the display.
- 3 Press **▲▼** to allocate a number (1 to 40) to this radio station, then press **PROG** to confirm.
  - ↳ The preset number and the frequency of the preset station are displayed.
- 4 Repeat the above steps to program other stations.

### Note

- To overwrite a programmed station, store another station in its place.

## Select a preset radio station

- 1 In tuner mode, press **▲▼** to select a preset number.

---

## Show RDS information

RDS (Radio Data System) is a service that allows FM stations to show additional information. If you tune to a RDS station, a RDS icon and the station name are displayed.

- 1 Tune to a RDS station.
- 2 Press **RDS/NEWS** repeatedly to scroll through the following information (if available):
  - ↳ Station name
  - ↳ Program type such as **[NEWS]** (news), **[SPORT]** (sport), **[POP M]** (pop music)...
  - ↳ Frequency

---

## Set RDS clock

You can use time signal broadcast together with the RDS signal to set the clock of the apparatus automatically.

- 1 Tune to a RDS radio station that transmits time signals.
- 2 Press and hold **RDS/NEWS** for more than 2 seconds.



### Note

- The accuracy of the transmitted time depends on the RDS station that transmits the time signal.

# 9 Adjust sound

---

## Adjust volume level

- 1 During play, press **VOL +/-** to increase/decrease the volume level.

---

## Select a preset sound effect

- 1 During play, press **DSC** repeatedly to select:
  - [POP] (pop)
  - [JAZZ] (jazz)
  - [CLASSIC] (classic)
  - [ROCK] (rock)
  - [FLAT] (flat)

---

## Enhance bass

- 1 During play, press **DBB** to turn on or off dynamic bass enhancement.  
↳ If DBB is activated, DBB is displayed.

---

## Mute sound

- 1 During play, press **MUTE** to mute/unmute sound.

# 10 Use more of your Micro System

---

## Set the sleep timer

This unit can switch to standby automatically after a preset period of time.

- 1 When the unit is turned on, press **SLEEP** repeatedly to select a set period of time (in minutes).
  - ↳ When sleep timer is activated, the display shows  $z^z$ .

### To deactivate sleep timer

- 1 Press **SLEEP** repeatedly until "SLP OFF" is displayed.
  - ↳ When sleep timer is deactivated,  $z^z$  disappears on the display.

---

## Set the alarm timer

This unit can be used as an alarm clock. The DISC, TUNER or USB is activated to play at a preset time.

- 1 Ensure that you have set the clock correctly.
- 2 In standby mode, press and hold **TIMER** for more than 2 seconds.
- 3 Press **CD**, **TUNER**, **USB**, **iPhone/iPod** to select a source.
- 4 Press **TIMER** to confirm.
  - ↳ The hour digits are displayed and begin to blink.
- 5 Press **VOL +/-** to set the hour.
- 6 Press **TIMER** to confirm.
  - ↳ The minute digits are displayed and begin to blink.
- 7 Press **VOL +/-** to set the minute.

- 8 Press **TIMER** to confirm.
  - ↳ The timer is set and activated.

---

## Activate and deactivate the alarm timer

- 1 Press **TIMER** repeatedly to activate or deactivate the timer.
  - ↳ If the timer is activated, the display shows  $z^z$ .
  - ↳ If the timer is deactivated,  $z^z$  disappears on the display.




### Note

- If disc/USB device source is selected and the track cannot be played, tuner is activated automatically.

---

## Listen through headphone

- 1 Plug a headphone into the  socket on the unit.

# 11 Product information



## Note

- Product information is subject to change without prior notice.

## Specifications

### Amplifier

Rated Output Power	2X30W RMS
Frequency Response	60 - 16kHz, $\pm 3$ dB
Signal to Noise Ratio	>62dB

### Disc

Laser Type	Semiconductor
Disc Diameter	12cm/8cm
Support Disc	CD-DA, CD-R, CD-RW, MP3-CD, WMA-CD
Audio DAC	24Bits / 44.1kHz
Total Harmonic Distortion	<1%
Frequency Response	60Hz -16kHz
S/N Ratio	>62dBA

### Tuner

Tuning Range	FM: 87.5 - 108MHz
Tuning grid	50 kHz (FM)
Total Harmonic Distortion	<3%
Signal to Noise Ratio	>50 dB

## Speakers

Speaker Impedance	6ohm
-------------------	------

## General information-Specs

Power adapter	Model: PAT065A19EU Input: AC100-240V~, 50/60Hz, 1.5A Output: DC19V, 3.4A
---------------	--

Operation Power Consumption	26 W
-----------------------------	------

Standby Power Consumption	<2 W
---------------------------	------

Eco Standby Power Consumption	<1 W
-------------------------------	------

Dimensions	
- Main Unit (W x H x D)	211 x 250 x 160mm
- Speaker Box (W x H x D)	158 x 250 x 193mm

Weight	
- With Packing	5.85 kg
- Main Unit	1.29 kg
- Speaker Box	2.39 kg

## Supported MP3 disc formats

- ISO9660, Joliet
- Maximum title number: 512 (depending on file name length)
- Maximum album number: 255
- Supported sampling frequencies: 32 kHz, 44.1kHz, 48 kHz
- Supported Bit-rates: 32~256 (kbps), variable bit rates

---

## USB playability information

### Compatible USB devices:

- USB flash memory (USB 2.0 or USB1.1)
- USB flash players (USB 2.0 or USB1.1)
- memory cards (requires an additional card reader to work with this apparatus)

### Supported formats:

- USB or memory file format FAT12, FAT16, FAT32 (sector size: 512 bytes)
- MP3 bit rate (data rate): 32-320 Kbps and variable bit rate
- WMA v9 or earlier
- Directory nesting up to a maximum of 8 levels
- Number of albums/ folders: maximum 99
- Number of tracks/titles: maximum 999
- ID3 tag v2.0 or later
- File name in Unicode UTF8 (maximum length: 128 bytes)

### Unsupported formats:

- Empty albums: an empty album is an album that does not contain MP3/ WMA files, and is not be shown in the display.
- Unsupported file formats are skipped. For example, Word documents (.doc) or MP3 files with extension .dlf are ignored and not played.
- AAC, WAV, PCM audio files
- DRM protected WMA files (.wav, .m4a, .m4p, .mp4, .aac)
- WMA files in Lossless format

---

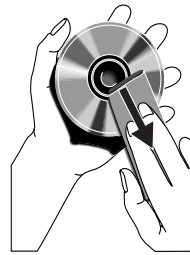
## Maintenance

### Clean the cabinet

- Use a soft cloth slightly moistened with a mild detergent solution. Do not use a solution containing alcohol, spirits, ammonia or abrasives.

### Clean discs

- When a disc becomes dirty, clean it with a cleaning cloth. Wipe the disc from the centre out.



- Do not use solvents such as benzene, thinner, commercially available cleaners, or antistatic spray intended for analogue records.

### Clean the disc lens

- After prolonged use, dirt or dust may accumulate at the disc lens. To ensure good play quality, clean the disc lens with Philips CD lens cleaner or any commercially available cleaner. Follow the instructions supplied with cleaner.

# 12 Troubleshooting

## Caution

- Never remove the casing of this apparatus.

To keep the warranty valid, never try to repair the system yourself.

If you encounter problems when using this apparatus, check the following points before requesting service. If the problem remains unsolved, go to the Philips web site ([www.philips.com/support](http://www.philips.com/support)). When you contact Philips, ensure that your apparatus is nearby and the model number and serial number are available.

### **No power**

- Ensure that the AC power plug of the unit is connected properly.
- Ensure that there is power at the AC outlet.
- To save power, the system switches off automatically 15 minutes after track play reaches the end and no control is operated.

### **No sound or poor sound**

- Adjust the volume.
- Check that the speakers are connected correctly.
- Check if the stripped speaker wires are clamped.

### **Left and right sound outputs reversed**

Check the speaker connections and location.

### **No response from the unit**

- Disconnect and reconnect the AC power plug, then turn on the system again.
- As a power-saving feature, the unit switches off automatically 15 minutes after track play reaches the end and no control is operated.

### **Remote control does not work**

- Before you press any function button, first select the correct source with the remote control instead of the main unit.
- Reduce the distance between the remote control and the unit.

- Insert the battery with its polarities (+/- signs) aligned as indicated.
- Replace the battery.
- Aim the remote control directly at the sensor on the front of the unit.

### **USB device not supported**

- The USB device is incompatible with the apparatus. Try another one.

### **No disc detected**

- Insert a disc.
- Check if the disc is inserted upside down.
- Wait until the moisture condensation at the lens has cleared.
- Replace or clean the disc.
- Use a finalized CD or correct format disc.

### **Poor radio reception**

- Increase the distance between the unit and your TV or VCR.
- Fully extend the FM antenna.
- Connect an outdoor FM antenna instead.

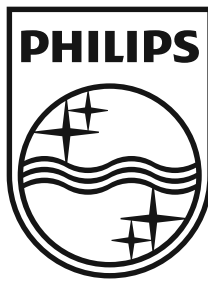
### **Timer does not work**

- Set the clock correctly.
- Switch on the timer.

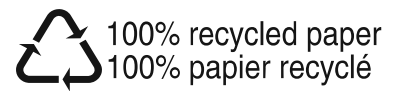
### **Clock/timer setting erased**

- Power has been interrupted or the power plug has been disconnected.
- Reset the clock/timer.





© 2009 Koninklijke Philips Electronics N.V.  
All rights reserved.



## Free Manuals Download Website

<http://myh66.com>

<http://usermanuals.us>

<http://www.somanuals.com>

<http://www.4manuals.cc>

<http://www.manual-lib.com>

<http://www.404manual.com>

<http://www.luxmanual.com>

<http://aubethermostatmanual.com>

Golf course search by state

<http://golfingnear.com>

Email search by domain

<http://emailbydomain.com>

Auto manuals search

<http://auto.somanuals.com>

TV manuals search

<http://tv.somanuals.com>