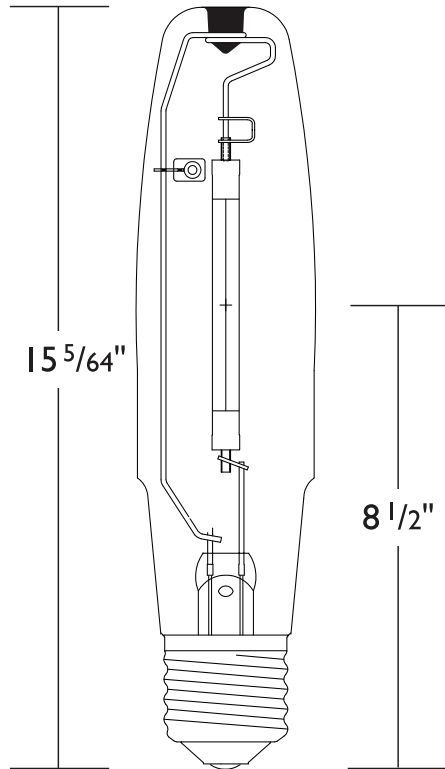
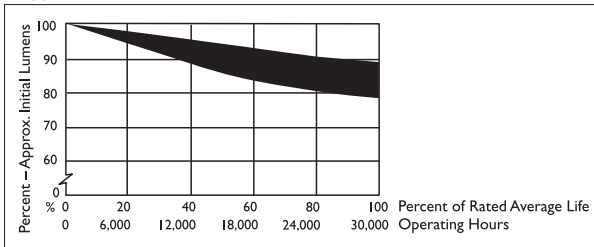


# Ceramalux® High Pressure Sodium Non-Cycling 1000 Watt ED-25 (Clear) Lamp

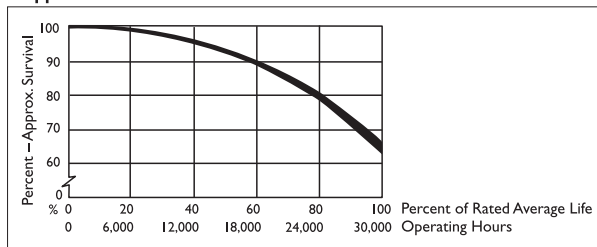
featuring ALTO® Lamp Technology



Approximate Lumen Maintenance



Approximate Survival Curve



## Ordering Information

Ordering Code	C1000S52/ALTO NC HPS
ANSI Designation	S52
Product Number	157263
Description	High Pressure Sodium TCLP* Compliant Non-Cycling
Package Quantity	6

## Physical Characteristics

Bulb Size	ED-25
Bulb Finish	Clear
Base	Mogul Screw
Max. Overall Length (MOL)	15.08" (383mm)
Light Center Length (LCL)	8.74" (222mm)
Arc Length	8.5" (215mm)
Arc Tube Length	9.6" (243mm)
Arc Tube Material	Aluminum Oxide
Operating Position	Universal
Maximum Permissible Bulb Temperature	400°C (752°F)
Maximum Permissible Base Temperature	210°C (410°F)
Maximum Bulb to Base Eccentricity	3°
Maximum Arc Tube to Base Eccentricity	3°

## Operating Characteristics (Photometric)

Approximate Initial Lumens <sup>1</sup>	130,000
Approximate Mean Lumen <sup>2</sup>	117,000
Rated Average Life, Hours <sup>3</sup>	30,000
Correlated Color Temperature (CCT)	2100 K
CIE Chromaticity Approximate	x-.515, y-.420
Color Rendering Index (CRI)	20
Efficacy (LPW)	130

## Operating Position

Universal

## TCLP\* Characteristics

Toxicity Characteristic Leaching Procedure (Federal TCLP) Results

	Hg	Pb
EPA Limit (mg/l) Max	0.200	5.00
C1000S52/ALTO NC HPS	0.062	<0.31
Mercury (mg/lamps) Max	11	

# PHILIPS

## Ceramalux® High Pressure Sodium Non-Cycling 1000 Watt ED-25 (Clear) Lamp *featuring ALTO® Lamp Technology*

### Electrical Data (Subject to change without notice)

Lamp Watts (Nominal).....	1000
Lamp Operating Voltage (rms) (Nominal).....	275V
Initial Lamp Voltage Range (rms).....	250–300V
Lamp Operating Current (Amps) (rms) (Nominal).....	4.7
Maximum Lamp Starting Current (Amps)(rms).....	8.0
Lamp Current Crest Factor (Maximum).....	1.8
Warm-up Time to 80% of Output.....	7 Minutes
Re-strike Time for Hot Lamp.....	8 Minutes
Ballast Type.....	ANSI S52
Ballast Open Circuit Voltage (Minimum):.....	456 Vrms
Pulse Peak Volts.....	2675
Pulse Width @ 90% Peak.....	4 $\mu$ s Minimum at 2700 Volts
Pulse Frequency (Minimum)	
Lag Ballast.....	1 per Cycle
Lead Circuit Ballast.....	1 per Cycle
Minimum Operating Temperature.....	-30°C
Reference Ballast Impedance.....	77 $\Omega$ (ohms) minimum at 480V
Maximum Lamp Watts.....	1200
Minimum Lamp Watts.....	750
Maximum Voltage Increase by Fixture.....	25V

#### Footnotes:

- 1) Measured at 100 hours of life in vertical and horizontal positions.
  - 2) Approximate mean lumen output at 40% of lamp rated average life. Measured in vertical and horizontal operating positions.
  - 3) Rated average life is the life obtained, on the average, from large representative groups of lamps in laboratory tests under controlled conditions at 10 or more operating hours per start. It is based on survival of at least 65% of the lamps and allows for individual lamps or groups of lamps to vary considerably from the average.
- \*The TCLP is the US EPA's Toxicity Characteristic Leaching Procedure.

### WARNINGS, CAUTIONS AND OPERATING INSTRUCTIONS for Ceramalux High Pressure Sodium Lamps

**R** **“WARNING:** These lamps must be operated in fixtures designed for use with High Pressure Sodium lamps. The fixture wattage rating must match the wattage indicated on the outer glass bulb. Do not scratch the outer bulb or subject it to pressure as this could cause the outer bulb to crack or shatter. A partial vacuum in the outer bulb may cause glass to fly if the glass is struck. Operating the lamp improperly may result in **PERSONAL INJURY, PROPERTY DAMAGE, BURNS AND FIRE.**

- 1) If the outer glass bulb is broken, shut off power immediately and remove the lamp after it has cooled.
- 2) Use only auxiliary equipment meeting Philips and/or ANSI standards. Use within voltage limits recommended by ballast manufacturer:
  - A. Operate lamp only within specified limits of operation.
  - B. For total supply load refer to ballast manufacturers electrical data.
- 3) Protect lamp base, socket and wiring against moisture, corrosive atmospheres and excessive heat.
- 4) Replace the lamp if the outer glass bulb has been scratched, cracked or damaged in any way.
- 5) If a lamp bulb support is used, be sure to insulate the support electrically so as to avoid possible decomposition of the bulb glass.
- 6) Do not use this lamp in a fixture which redirects a substantial portion of the energy toward the arc tube and its immediate vicinity, as this may lead to very early lamp failure.
- 7) Take care in handling and disposing of lamps. If arc tube is broken, avoid skin contact with any of the contents or fragments.
- 8) The arc tube of this lamp contains sodium and mercury. Dispose of in accordance with federal, state and local requirements.



## Free Manuals Download Website

<http://myh66.com>

<http://usermanuals.us>

<http://www.somanuals.com>

<http://www.4manuals.cc>

<http://www.manual-lib.com>

<http://www.404manual.com>

<http://www.luxmanual.com>

<http://aubethermostatmanual.com>

Golf course search by state

<http://golfingnear.com>

Email search by domain

<http://emailbydomain.com>

Auto manuals search

<http://auto.somanuals.com>

TV manuals search

<http://tv.somanuals.com>