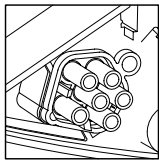


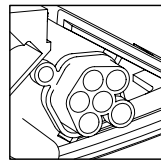
Feature Specifications

Electrical

Connections: Wiring is via 18 gauge wire. All electrical connections for standard configurations are plug-and-play via 6-wire cannon plug connections. Connections are seated in end castings of fixtures, allowing for simultaneous mechanical/ electrical coupling. Connectors are male/female therefore modules must be installed male to female, starting from the power feed end set.



Male



Female

All static ballasts have the following features:

- Electronic
- High Power Factor
- Class A sound rating
- Metal can

Emergency Battery Pack: Emergency Battery packs are designed to operate when normal building power is interrupted. The battery packs operate for a minimum of 90 minutes without any power via a rechargeable battery source. The pack does not utilize the standard static ballast for any of its operation since the pack carries its own pseudo ballast. For this reason, Lightolier does not recommend remote mounting EM Packs because all of the socket wiring would need to carry throughout the powerfeed end set. The EM batteries, even in their largest, most expensive form, operate the fluorescent lamps at only half the lamp rated output. Emergency battery packs are available in the following outputs:

- 450 Lumens (Standard)
- 635 Lumens
- 1100 Lumens
- 1375 Lumens

Emergency battery packs can be used for emergency egress lighting since all listed packs operate for a minimum of 90 minutes, or can be used as momentary lighting for emergency circuit power transitions. Smaller packs are recommended for this purpose.

Dimming: T8 and T5HO lamps are dimmed with two wire ballasts. T8 lamps can be dimmed down to 5% and T5HO lamps can be dimmed down to 1%. T5 lamps require 5-wire dimming ballasts and can be dimmed down to 1%. A 5-wire power feed will be required for T5 (non-HO) dimming.

Factory installed ballast disconnect allows the ballast to be disconnected from and reconnected to incoming power under load without turning the entire circuit off.

Labels Included

UL, cUL, and IBEW

Features

- 1. Housing:** 18 gauge steel. 6" (15.24cm) cast aluminum end caps. No exposed fasteners or hardware.
- 2. Lamping:** 1 T5 fluorescent lamps per 4' (121.92cm) section. Lamps by Lightolier as an option, see ordering information.
- 3. Reflector:** Precision die-formed premium anti-iridescent, highly reflective aluminum.
- 4. Louver:** Parabolic louver, low-iridescent semi-specular anodized aluminum, 25 degree shielding lengthwise. Blades are spaced 2.3" (5.84cm) O.C with a radius that matches the housing. 1" (2.54cm) tall louver attaches to housing.
- 5. Optional Slotted Top Reflector:** Precision die-formed anti-iridescent, highly reflective aluminum.

Mountings

Cable suspension is on 48" (121.92cm) and 96" (243.84cm) centers and consists of a 4 1/2" (11.43cm) diameter canopy finished white enamel. A 1/16" (0.16cm) diameter stainless steel aircraft cable accomplishes suspension and is adjustable from 12" (30.48cm) to 36" (91.44cm). Power feed is 18-gauge SJT silver braided cord with a clear jacket. For special circuiting consult factory.

Finish

Powder coated, baked enamel, white or aluminum, as specified. Custom colors available, consult factory.

Ordering Instructions

Individual Fixtures:

1. Order number of MODULES required.
2. Order one POWER FEED END SET per MODULE.

Continuous Rows:

1. Determine run length.
2. Order the appropriate number of MODULES for the complete run.
3. Order one POWER FEED END SET for each run.
4. Order one CABLE ASSEMBLY per MODULE minus one per run.
5. For runs that exceed conductor ampacity ratings order the appropriate number of SINGLE CABLE & CORD SETS.

Job Information	Type:
Job Name:	
Cat. No.:	
Lamp(s):	
Notes:	

631 Airport Road, Fall River, MA 02720 • (508) 679-8131 • Fax (508) 674-4710
 We reserve the right to change details of design, materials and finish.
 www.lightolier.com © 2008 Philips Group • C0808

Module Ordering Information

Family	Series	Lamping & Distribution	Ballast	Lamp	Shielding	Length	Voltage	Finish	Options (Blank)
EG	1	1 = 1 Lamp 4 = 1 Lamp, Slotted Top Reflector	See Ballast Chart Below	See Lamp Chart Below	P = Parabolic Louver	4 = 4' (121.92cm) 8 = 8' (243.84cm)	1 = 120V 2 = 277V	A = Aluminum W = White	4 = 4 through wires 5 = 5 through wires 6 = 6 through wires D = Dual Switch T = Tandem Switch E = Emergency Pack

When ordering no lamps provided by Lightolier, use Lamp code "Z".

Module Ordering Specifications

Lamping and Distribution

1 = 1 Lamp

4 = 1 Lamp, Slotted Top Reflector

Ballast Specifications

Code	Lamp Type	Ballast Factor	Start Type	THD %
F	T5	1.00	Program	<10
G	T5HO	1.00	Program	<10
I	Dim T5	1.00/.01	Program	<10
J	Dim T5HO	1.00/.03	Program	<10

Dimming: Advance Mark-10 standard (no additional wires required) for T8 and T5HO fixtures. 5-wire dimming required for T5 (non-HO) fixtures. Optional dimming systems: Lutron ECO-10 and Hi-Lume (by others) require 4-wire modules and end sets. Mark-7, ULT, DALI and Lightolier HDF require 5-wire modules and end sets. Energos can accept ballasts not to exceed 1.7" (4.32cm) wide by 1.2" (3.05cm) high.

Shielding

P = Parabolic Louver

Length

4 = 4ft (48") (121.92cm)

8 = 8ft (96") (243.84cm)

Voltage

1 = 120VAC

2 = 277VAC

Finish

A = Aluminum

W = White

Wiring Options

Blank = Leave blank if ordering standard fixture.

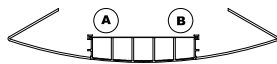
4 = 4 through wires

5 = 5 through wires

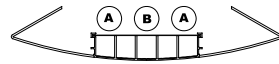
6 = 6 through wires

Feature Options

D = Dual Switching (AKA A/B switching)



2-Light Option



3-Light Option

T = Tandem Switching (also available in 1-lamp configuration)



A

B

Both Dual Switch and Tandem Switch fixtures ship with a 4th wire. Be sure to order the appropriate quantity of wires in the power feed.

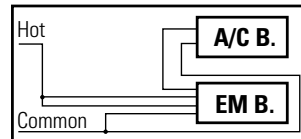
Lamping Specifications

Code	Lamp Type	Wattage	Rated Output (Lumens)	Color (K)
M	T5	28	2600*	830
N	T5	28	2600*	835
O	T5	28	2600*	841
P	T5	54	4450*	830
Q	T5	54	4450*	835
R	T5	54	4450*	841

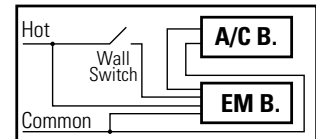
* 25°C Rating

Feature Options (continued)

E = Emergency Battery Pack (E): Battery packs provide 90 minutes of operation. Available lamp outputs: 450 Lumens (standard). Optional: 635, 1100 and 1375 Lumens. Standard Emergency wiring is to have Battery Pack operating a single lamp. All EM fixtures are wired as "switched" and include 4th through wire for the wall switch (see diagrams). All fixtures and power feeds in that run should be ordered to include a dedicated 4th through wire to carry the hot power all the way through the run to the EM pack.



Unswitched



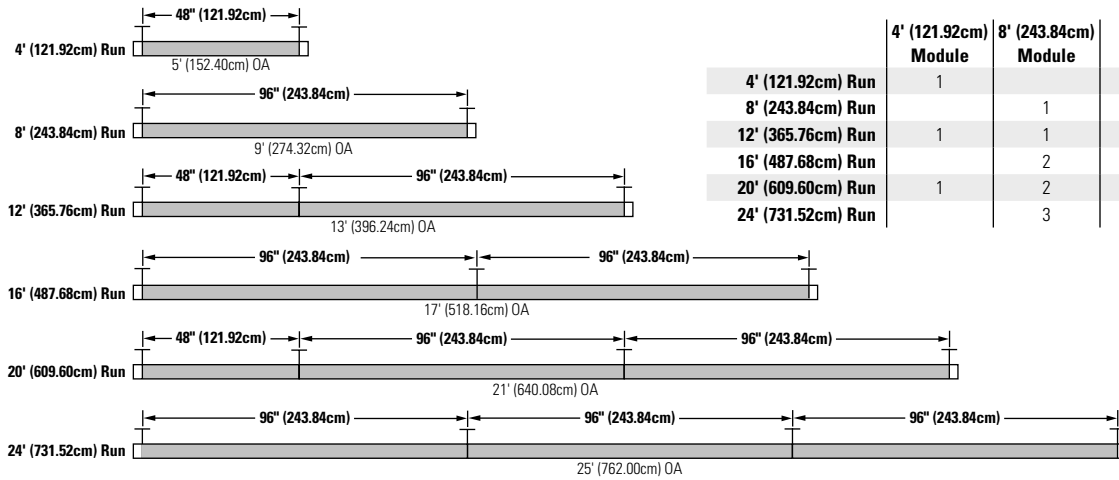
Switched

Job Information

Type:

631 Airport Road, Fall River, MA 02720 • (508) 679-8131 • Fax (508) 674-4710
 We reserve the right to change details of design, materials and finish.
 www.lightolier.com © 2008 Philips Group • C0808

Fixture Lengths & Mounting Locations



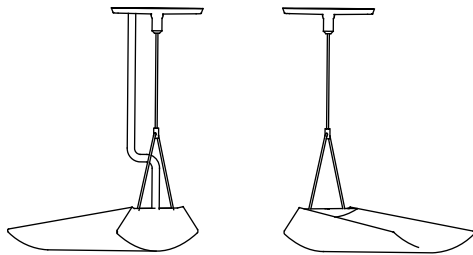
Suspension and End Set Ordering Illustrations

Power Feeds

Consult Lamp and Ballast System data to determine input watt requirements for ballast used on project to determine loading for each run. Multiply the total number of ballasts by the input wattage per ballast, and to determine ampacity divide the total watts by the system voltage. 10 Amps for 3-wire end sets, 7 Amps for 4-wire and 5-wire end sets, maximum.

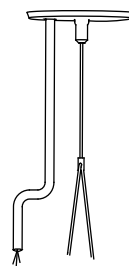
Control

Consult appropriate ECS (Energos Control Systems) specification sheet for ordering product utilizing occupancy controls. ECS specification sheet numbers directly correlate to standard Energos specification sheet numbers.



Power Feed End Set

- White, 3 Wire Cord: EG1EC36W
- White, 4 Wire Cord: EG1EC36W4
- White, 5 Wire Cord: EG1EC36W5
- Aluminum, 3 Wire Cord: EG1EC36A
- Aluminum, 4 Wire Cord: EG1EC36A4
- Aluminum, 5 Wire Cord: EG1EC36A5



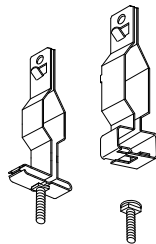
Cable/Cord Assembly

- Single Cable & Power Cord: EGCC36
- Single Cable & 4 Wire Power Cord: EGCC36X4
- Single Cable & 5 Wire Power Cord: EGCC36X5



Cable Assembly

- Single Cable: EGC36



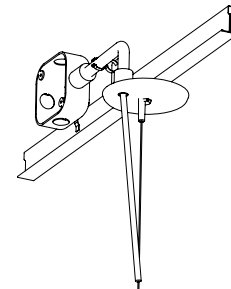
Ceiling Grid Kit: CGK

Because most ceilings are white, all canopies ship as white unless specifically ordered otherwise.

Both CGK and CGKP ship with two types of clips (standard and slot T).

For mounting fixtures directly to the T grid, order one CGK per non-power suspension point and one CGKP per powered suspension point.

The CGKP will include a special canopy with flex coupler, grid clips and additional clips to mount the junction box to the top of the grid nearby. J-Box and flex conduit provided by others.



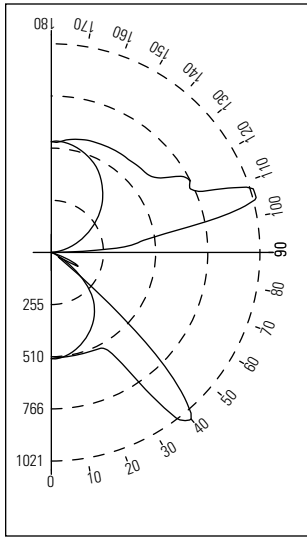
Ceiling Grid Kit, Power: CGKP

Job Information	Type:
-----------------	-------

631 Airport Road, Fall River, MA 02720 • (508) 679-8131 • Fax (508) 674-4710
 We reserve the right to change details of design, materials and finish.
 www.lightolier.com © 2008 Philips Group • C0808

Performance — One Lamp Fixture With Open Top

Candlepower Curve



Report No.: EG1-4N-GQ.ies
 Lamps: 1-FP54/835/HO
 Lumens: 4450
 Efficiency: 93.4
 Cat. No.: EG11GQP
 25°C Rating

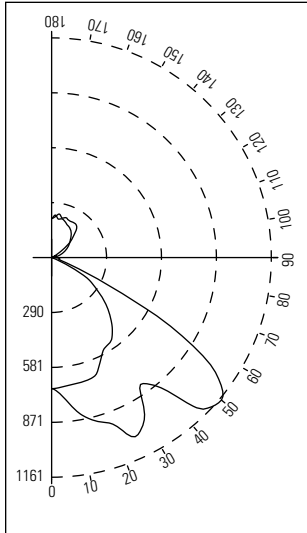
Zone → Degree ↓	Candlepower				
	0	22	45	67	90
	Candelas				
180	520	520	520	520	520
175	522	522	524	523	523
165	502	511	528	541	548
155	465	487	520	546	558
145	409	449	504	546	566
135	339	398	473	541	574
125	255	333	436	546	611
115	167	263	449	670	716
105	82	211	562	925	995
95	14	234	264	357	374
90	0	0	0	0	0
85	0	0	0	0	0
75	2	3	3	4	4
65	25	52	18	59	125
55	115	271	206	69	50
45	258	320	738	825	745
35	352	378	440	619	821
25	417	431	459	489	503
15	466	470	481	492	497
5	498	498	498	496	495
0	498	498	498	498	498

		Coefficients Of Utilization								
		% Effective Ceiling Cavity Reflectance			% Wall Reflectance			% Floor Cavity Reflectance		
		80			70			50		
Room Cavity Ratio		50	30	10	50	30	10	50	30	10
	0	97	97	97	88	88	88	70	70	70
	1	86	82	80	78	75	72	62	60	59
	2	76	70	66	68	64	60	55	52	49
	3	67	60	55	61	55	51	49	45	42
	4	59	52	47	54	48	43	44	39	36
	5	53	46	40	48	42	37	39	35	31
	6	47	40	35	43	37	32	35	30	27
	7	42	35	30	39	32	28	32	27	24
	8	38	31	27	35	29	25	29	24	21
	9	35	28	23	32	26	22	26	22	18
10	32	25	21	29	23	19	24	19	16	

Distribution				
Zone	Lumens	% Lamp	% Luminaire	
0-90	1534	31	33	
90-180	3134	63	67	
0-180	4668	93	100	

Performance — One Lamp Fixture With Optional Slotted Top Reflector

Candlepower Curve



Report No.: EG1-4D-GQ.ies
 Lamps: 1-FP54/835/HO
 Lumens: 4450
 Efficiency: 73.5
 Cat. No.: EG14GQP
 25°C Rating

Zone → Degree ↓	Candlepower				
	0	22	45	67	90
	Candelas				
180	204	204	204	204	204
175	224	211	232	218	214
165	210	211	220	220	214
155	190	203	208	216	214
145	174	180	202	206	216
135	140	157	177	171	164
125	108	130	123	83	68
115	74	90	42	8	6
105	39	29	11	26	27
95	7	5	10	10	14
90	0	3	5	4	3
85	0	5	24	38	41
75	4	8	15	36	38
65	76	175	218	268	257
55	285	460	807	981	1047
45	433	616	664	960	1123
35	538	682	848	813	811
25	602	756	850	967	1035
15	671	749	831	901	886
5	680	708	703	750	737
0	687	687	687	687	687

		Coefficients Of Utilization								
		% Effective Ceiling Cavity Reflectance			% Wall Reflectance			% Floor Cavity Reflectance		
		80			70			50		
Room Cavity Ratio		50	30	10	50	30	10	50	30	10
	0	84	84	84	80	80	80	74	74	74
	1	74	72	69	71	69	67	66	64	62
	2	65	61	57	63	59	56	58	55	52
	3	58	52	48	55	51	46	51	47	44
	4	51	45	40	49	44	39	46	41	37
	5	45	39	34	44	38	34	41	36	32
	6	40	34	30	39	33	29	36	31	28
	7	36	30	26	35	29	25	33	28	24
	8	33	27	23	32	26	22	30	25	21
	9	30	24	20	29	23	20	27	22	19
10	27	22	18	27	21	18	25	20	17	

Distribution				
Zone	Lumens	% Lamp	% Luminaire	
0-90	1739	60	82	
90-180	393	14	18	
0-180	2132	74	100	

Job Information	Type:
------------------------	--------------

631 Airport Road, Fall River, MA 02720 • (508) 679-8131 • Fax (508) 674-4710
 We reserve the right to change details of design, materials and finish.
 www.lightolier.com © 2008 Philips Group • C0808

Ballast and Lamp Ordering Combinations

Desgn.	Lamp Type (T8 or T5)	Ballast Factor (BF)	Ballast THD (%)	Lamp Rated Wattage	Lamp Rated Output	Lamp Color (Kelvin)	IES Output (Lumens)	System Input Watts	System Efficiency (lum/watt)	System Lamp Life (Hours)	Start Type
FM	T5	1	<10	28	2600	830	2600	31.0	83.9	20000	Program
FN	T5	1	<10	28	2600	835	2600	31.0	83.9	20000	Program
FO	T5	1	<10	28	2600	841	2600	31.0	83.9	20000	Program
GP	H0	1	<10	54	4450	830	4450	58.5	76.1	20000	Program
GQ	H0	1	<10	54	4450	835	4450	58.5	76.1	20000	Program
GR	H0	1	<10	54	4450	841	4450	58.5	76.1	20000	Program
IM	T5 DIM	1.0 / .01	<10	28	2600	830	2600 /26	33.5 / 8	77.6	NA	Program
IN	T5 DIM	1.0 / .01	<10	28	2600	835	2600 /26	33.5 / 8	77.6	NA	Program
IO	T5 DIM	1.0 / .01	<10	28	2600	841	2600 /26	33.5 / 8	77.6	NA	Program
JP	T5HO DIM	1.0 / .03	<10	54	4450	830	4450 /134	63 /12.5	70.6	NA	Program
JQ	T5HO DIM	1.0 / .03	<10	54	4450	835	4450 /134	63 /12.5	70.6	NA	Program
JR	T5HO DIM	1.0 / .03	<10	54	4450	841	4450 /134	63 /12.5	70.6	NA	Program

Notes:

*25°C Rating

All data is per 1 lamp on a two lamp system at 277 VAC. Data is based on Osram Sylvania Specifications
When ordering no lamps provided by Lightolier, use Lamp code "Z".

Do not alter lumen values or ballast factor light losses when completing calculations using Energos IES files.
Files have already been adjusted. The lumen value for the lamp (within a Lighting Design program) will be the IES Output value shown on this table.

Job Information	Type:
------------------------	--------------

631 Airport Road, Fall River, MA 02720 • (508) 679-8131 • Fax (508) 674-4710
We reserve the right to change details of design, materials and finish.
www.lightolier.com © 2008 Philips Group • C0808

Free Manuals Download Website

<http://myh66.com>

<http://usermanuals.us>

<http://www.somanuals.com>

<http://www.4manuals.cc>

<http://www.manual-lib.com>

<http://www.404manual.com>

<http://www.luxmanual.com>

<http://aubethermostatmanual.com>

Golf course search by state

<http://golfingnear.com>

Email search by domain

<http://emailbydomain.com>

Auto manuals search

<http://auto.somanuals.com>

TV manuals search

<http://tv.somanuals.com>