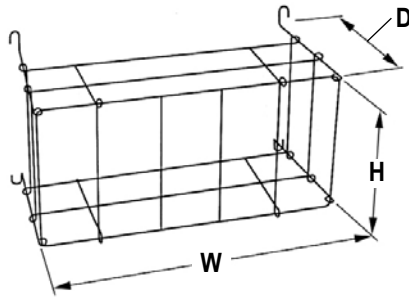
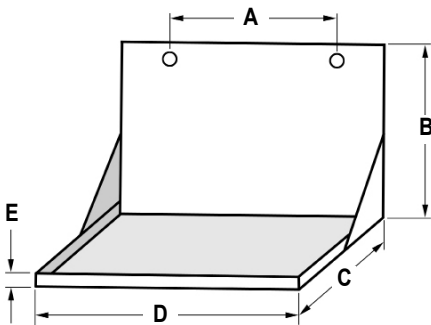


Wire Guards



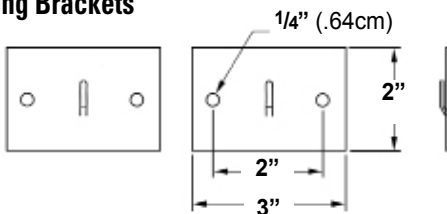
Model No.	Application	Dimensions			Weight
		H	W	D	
MJPG1	Emergency Lighting Units MJ2(6V), MJ4	15" 38.1cm	173/4" 45cm	61/4" 15.9cm	2 lbs. (.91kg)
MJPG2	Emergency Lighting Units MJ2(12V)	21" 53.3cm	231/2" 59.7cm	12" 30.5cm	5 lbs. (2.3kg)
MJPG5	Emergency Lighting Units MJ1	16" 40.6cm	16" 40.6cm	9" 22.9cm	3 lbs. (1.4kg)
MJPG6	Single Remote Lighting Heads	8" 20.3cm	8" 20.3cm	8" 20.3cm	1 lbs. (.45kg)
MJPG7	Double Remote Lighting Heads	8" 20.3cm	16" 40.6cm	8" 20.3cm	2 lbs. (.91kg)
MJPG8	Emergency Lighting Units MJ7 (Wall Mount), MJ8 (Wall Mount)	13" 33cm	13" 33cm	4" 10.1cm	3 lbs. (1.4kg)
MJPG9	Exit Signs MJ5 (Wall Mount), MJ6 (Wall Mount)	14" 35.6	17" 43.2cm	4" 10.1cm	3 lbs. (1.4kg)
MJPG10	Exit Signs MJ5 (Wall Mount Combo), MJ6 (Wall Mount Combo)	16" 40.6cm	26" 66cm	7" 17.8cm	5 lbs. (2.3kg)

Mounting Shelves



Model Number	Application	Dimensions					Weight
		A	B	C	D	E	
MJS1	MJ2 (25w & 30w)	51/4" 13.3cm	101/4" 26cm	41/2" 10.8cm	91/4" 23.5cm	1/2" 1.3cm	1 lb. (.45kg)
MJS2	MJ1, MJ2 (50w)	101/4" 26cm	101/4" 26cm	41/2" 10.8cm	121/4" 31.1cm	1/2" 1.3cm	2 lbs. (.91kg)
MJS3	MJ2 (72w & 100w)	81/4" 21cm	101/4" 26cm	51/2" 14cm	121/4" 31.1cm	1/2" 1.3cm	2 lbs. (.91kg)
MJS6	MJ2 (125w & 250w)	12" 30.5cm	101/4" 26cm	51/2" 14cm	19 48.3cm	1/2" 1.3cm	4 lbs. (1.8kg)

Mounting Brackets



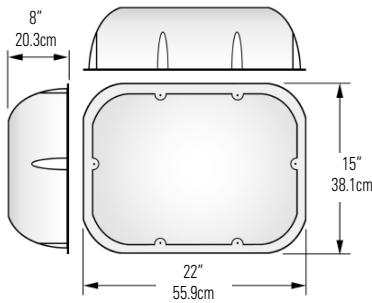
Model Number	Application	Weight
MJB1*	MJ1, MJ2	1/2 lb. (.23kg)

* Provides both brackets required to mount unit.

Job Information	Type:
Job Name:	
Cat. No.:	
Lamp(s):	
Notes:	

631 Airport Road, Fall River, MA 02720 • (508) 679-8131 • Fax (508) 674-4710
 We reserve the right to change details of design, materials and finish.
 www.lightolier.com © 2008 Philips Group • D0808

Vandal Shields



Model No.	Series
MJVERS	MJ1, Remote Heads
MJVERS4X (gasketed)	MJ1, Remote Heads

Single Remote Lighting Heads



- White (W), Black (B), Gray (G)
- Metal construction
- 6 and 12 volt
- Single gang switch box mounting
- Bi-pin halogen 12 watt lamps

Model No.	Voltage	Color
MJ1H12MHB	6	Black
MJ1H12MHG	6	Gray
MJ1H12MHW	6	White
MJ2H12MHB	12	Black
MJ2H12MHG	12	Gray
MJ2H12MHW	12	White

Double Remote Lighting Heads



- White (W), Black (B), Gray (G)
- Metal construction
- 6 and 12 volt
- Single gang switch box mounting
- Bi-pin halogen 12 watt lamps

Model No.	Voltage	Color
MJD1H12MHB	6	Black
MJD1H12MHG	6	Gray
MJD1H12MHW	6	White
MJD2H12MHB	12	Black
MJD2H12MHG	12	Gray
MJD2H12MHW	12	White

Job Information	Type:
------------------------	--------------

631 Airport Road, Fall River, MA 02720 • (508) 679-8131 • Fax (508) 674-4710
 We reserve the right to change details of design, materials and finish.
www.lightolier.com © 2008 Philips Group • D0808

Free Manuals Download Website

<http://myh66.com>

<http://usermanuals.us>

<http://www.somanuals.com>

<http://www.4manuals.cc>

<http://www.manual-lib.com>

<http://www.404manual.com>

<http://www.luxmanual.com>

<http://aubethermostatmanual.com>

Golf course search by state

<http://golfingnear.com>

Email search by domain

<http://emailbydomain.com>

Auto manuals search

<http://auto.somanuals.com>

TV manuals search

<http://tv.somanuals.com>