

User Manual

PIEGA AP 3, AS 3

Version 1.0

***“Music. That’s really the only important issue
when it comes to loudspeakers...”***

In our view, the superior loudspeaker is the one that does not interfere. One that adds no sound of its own. That accurately and naturally conveys what was played in the concert or recording studio. Since 1986 we have been working to perfect this ideal – with a pioneering spirit, inventiveness and exacting craftsmanship. You will now be able to hear for yourself how far we have succeeded.

By purchasing a loudspeaker from PIEGA you have expressed your trust in our company, for which we thank you very much. At the same

time we assure you that you have purchased a product that is based on twenty years of R & D, and which in terms of its design represents the state of the art. We are sure that you will gain much listening enjoyment from your new Piega loudspeaker products.

Although using the loudspeakers is very straightforward, we recommend that you read the contents of this user manual carefully. It will explain how to properly connect up your new PIEGA loudspeaker products and install them for optimum results. It also provides you

with some useful information that will increase your understanding of loudspeakers. But don't worry. Even apparently complicated details are explained very simply. On the last page of these instructions you will find our warranty conditions. Please also read these carefully just in case.

We wish you an enjoyable read and above all much listening enjoyment with your new PIEGA loudspeakers...!

Contents

This user manual describes how to install and connect the PIEGA AP 3, AS 3 loudspeakers for a wide range of uses, and contains some useful information on operating, caring for and maintaining your loudspeakers. It also contains instructions for unpacking and setting up the loudspeakers.

- 4 Precautions**
Before unpacking...
- 5 Unpacking the Loudspeakers**
Instructions for unpacking...
- 6 Uses**
Application and positioning options.....
- 7 On-Wall Installation**
Positioning and mounting instructions...
- 8 In-Wall Installation**
Positioning and mounting instructions...
- 9 Connecting the Loudspeakers**
Instructions for connecting the loudspeakers...
- 10 Running in the Loudspeakers**
Tips for optimum results...
- 11 Daily Use**
Care and maintenance...
- 12 Warranty Conditions**
Service and warranty conditions...
- 13 Mounting Aid**
Dimension drawings and pull-out drilling template

Further information can be obtained from www.piega.ch

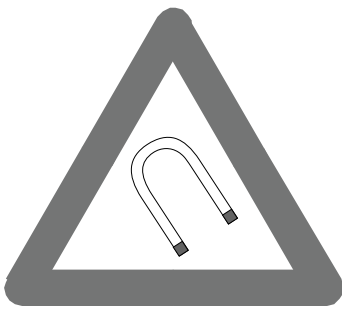
PIEGA does not accept liability for any damage arising from installations based on the instructions of this user manual

Precautions

PIEGA AP 3, AS 3

Before unpacking...

Please read this user manual carefully and pay special attention to the following precautions and warnings. In your own interest, we advise you to strictly observe the following procedure for installing and operating your new PIEGA AP 3, AS 3 loudspeakers.



Warning:

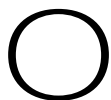
>Ensure without fail that your new PIEGA loudspeakers are mounted, positioned and connected exactly according to these instructions

>The AP 3, AS 3 loudspeakers were only designed for use in dry residential environments within a temperature range of 10...40°C

>The high quality loudspeaker chassis of PIEGA loudspeakers contain exceptionally strong magnets with magnetic fields that may impair the operation of other devices if the loudspeakers are not handled properly

>Ensure that watches or other metallic objects do not get close to the loudspeakers. The strong magnetic fields may pull these into the diaphragms and destroy them

>Keep items such as credit cards, electronic data storage media and similar objects away from the loudspeakers. The magnetic field may cause irrecoverable loss of data



CONFORMS TO
UL STD. 6500

CERTIFIED TO
CAN/CSA STD. E60065

Warning:

The tweeter systems of PIEGA loudspeakers have extremely powerful magnets

>Keep watches and metallic objects away from these tweeters without fail...!

Unpacking the loudspeakers

PIEGA AP 3, AS 3

Instructions for unpacking...

Special care was taken in the packaging of your new PIEGA quality products in order to ensure that your AP 3, AS 3 loudspeakers reach your living room safely and undamaged. In order to avoid any damage when unpacking the loudspeaker, follow closely the instructions below without fail.



Procedure:

>Work in pairs in order to avoid scratches during unpacking and mounting

>Before unpacking, remove any jewelry such as watches, rings, bracelets etc. in order to avoid scratching the aluminum surface

>Open the carton as shown in the figure and lift out the loudspeakers and protective cushions

>Carefully remove the protective cushions and protective wrapping by carefully pulling it up over the loudspeakers

>Check without fail that the delivery is complete, that the loudspeaker version supplied corresponds to your order and that the loudspeakers have not been damaged in transit

>If this is the case, follow the instructions on the remaining pages or contact the dealer where you purchased the loudspeakers

Attention:

PIEGA loudspeakers have cabinets made from polished aluminum

>When unpacking, handle carefully at all times...!

Uses

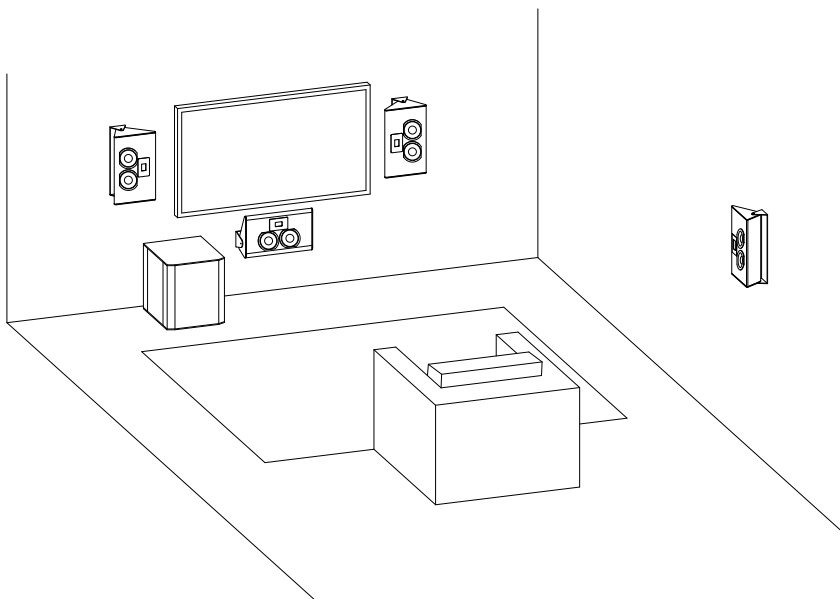
PIEGA AP 3, AS 3

Application and positioning options...

Primarily developed for use as a wall loudspeaker for high quality stereo and home cinema applications in combination with a flat screen television, the PIEGA AP 3, AS 3 loudspeakers are also suitable for universal use such as ceiling loudspeakers in bars and restaurants, fitness studios etc.

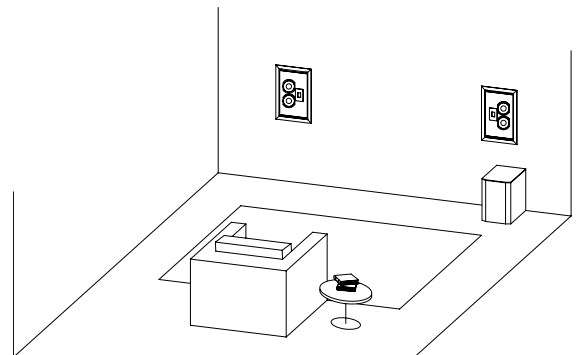
>Application examples of wall-mounted AP 3, AS 3 loudspeakers for stereo systems, as front and center channel loudspeakers, and on the ceiling as a room sound system

Multi-channel system with on-wall mounting (e.g. Dolby 5.1)

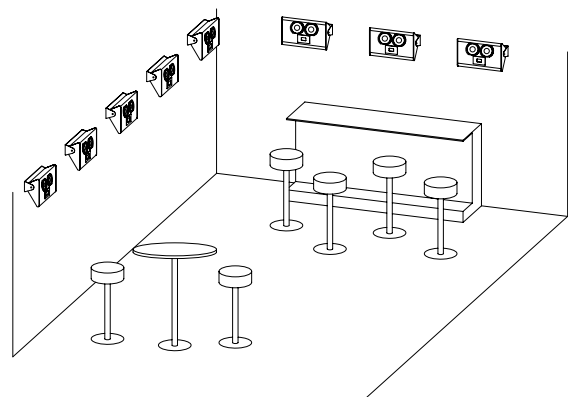


Aligning the loudspeakers see page 16...!

Stereo operation with in-wall mounting (stereo triangle)



Room sound system with ceiling installations

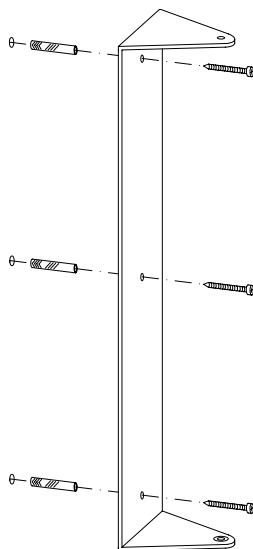


On-Wall Installation

PIEGA AP 3, AS 3

Positioning and mounting instructions...

Thanks to their asymmetric design and well thought-out fixing concept, the AP 3, AS 3 loudspeakers can be used easily as wall, center or ceiling loudspeakers. Refer to the alignment instructions on page 16 and use the pull-out drilling template provided at the center of this user manual for mounting the wall and ceiling brackets.



Mounting the wall bracket:

>Depending on the application, mark the holes for the wall bracket horizontally or vertically, taking into account the optimum distances required (stereo triangle)

>With concrete or brick walls, drill the holes with a 6 mm diameter and use the screw anchors and screws supplied

>Only use suitable screws and screw anchors with wooden or plasterboard walls (not supplied with the delivery)

Mounting the loudspeaker:

>Ensure without fail that the plastic washers are fitted inside the two arms before inserting the loudspeakers

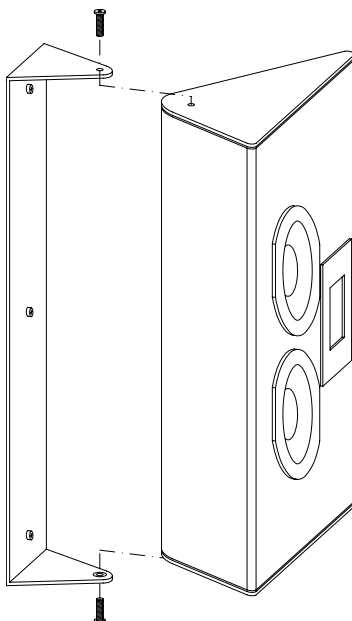
>Remove the two fixing screws on the upper and lower side of the loudspeakers

>Position the loudspeaker carefully between to two arms of the wall bracket

>Use the previously removed fixing screws supplied and insert them from the outside

>Align the loudspeakers as required and tighten the screws evenly

>Connect the loudspeaker cables using the loudspeaker terminals provided (see page 9)

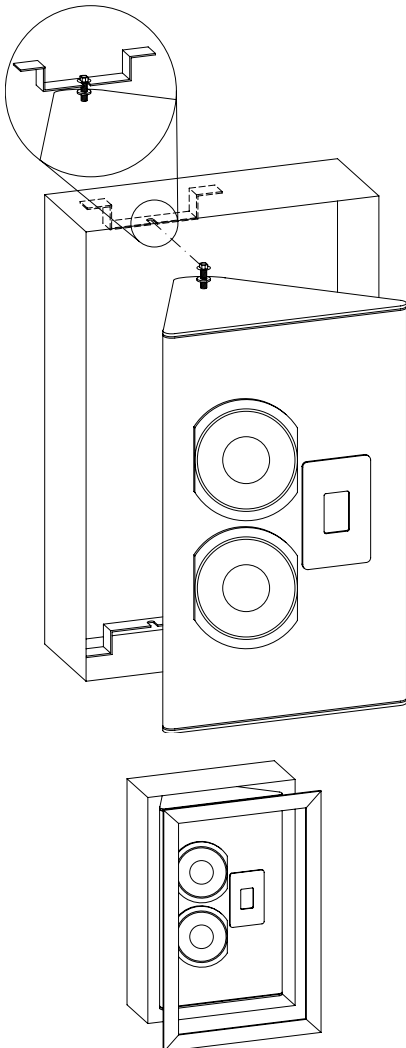


In-Wall Installation

PIEGA AP 3, AS 3

Positioning and mounting instructions...

The AP 3, AS 3 loudspeakers can be flush mounted in a wall using a special mounting bracket so that only the loudspeaker front and bracket frame are visible after mounting. This space saving mounting method allows you to enjoy the benefits of both quality sound and a discrete design (refer to the alignment instructions on page 16).



Mounting the flush-mounting frame:

>With concrete walls, the flush-mounting bracket must be mounted in the recess at the required position without the loudspeaker (!) before the wall is completed, i.e. when the wall is being built

>Bear in mind that empty conduits for the loudspeaker cables and power supply cables (only for the active versions) must also be provided in the recess - The holes required for this must be provided by the customer...!

>The loudspeakers and the flush-mounting frame have an asymmetric design, and so left/right alignment must be ensured (Alignment instructions see page 16)

Fitting the loudspeakers in the flush-mounting frames:

>The loudspeaker should only be mounted and connected once the building work is fully completed

>First of all, connect the loudspeaker cables to the terminals provided (see the next page) and then mount the loudspeakers using the two screws (see drawing)

> Do not mount the front panel until the end when the loudspeakers are completely installed and connected

Note:

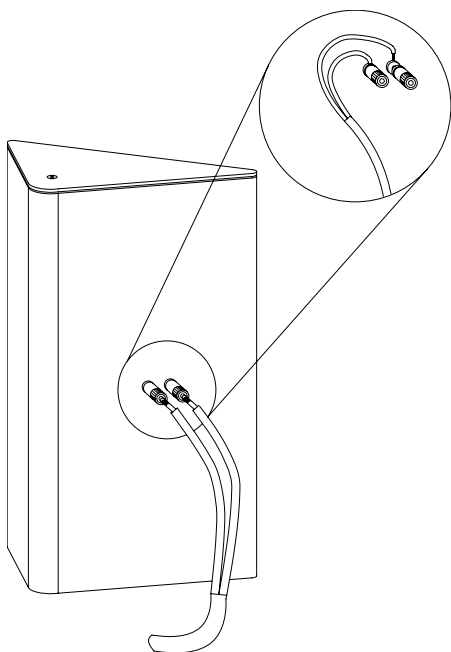
Consult a specialist, i.e. the person responsible from the building company with regard to the mounting without fail...!

Connecting the Loudspeakers

PIEGA AP 3, AS 3

Instructions for connecting the loudspeakers...

The loudspeaker is provided with the terminal for single wiring applications. This is used for connecting standard loudspeaker cables with banana plugs. Ideally however, PIEGA AP3, AS 3 loudspeakers are connected with the OPUS 3 loudspeaker cable which was specially developed for PIEGA loudspeakers with ribbon tweeters, and is available as an accessory from specialist dealers.



Connection:

>Ensure that the electronic components are switched off before making the connection

>The AP 3, AS 3 loudspeakers must only be connected to electronic components with the amplifier outputs recommended by PIEGA

>Ensure without fail the recommended amplifier output of 20 - 200 W (4 Ohm) - If you are not sure that the connection is correct, contact your specialist dealer

>The loudspeakers have an impedance of 4 Ohms and can therefore be connected to any standard amplifier - Contact your specialist dealer concerning this

>Connect the PIEGA AP 3, AS 3 cables to your amplifier or receiver as shown in the figure. Ideally, use the OPUS 3 loudspeaker cable (optional) with banana plugs or standard loudspeaker cables with a lead

Active variant:

>For AP 3, AS 3 loudspeakers with the active module option, refer to the separate user manual

Hinweis:

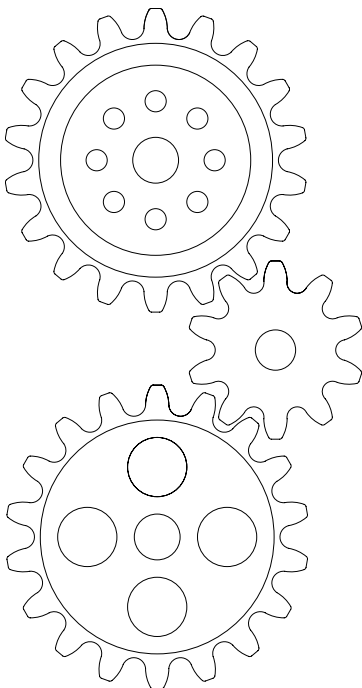
8 or 16 Ohm amplifiers supply at 4 Ohms twice or four times the output, which considerably improves the output characteristics...!

Running in the Loudspeakers

PIEGA AP 3, AS 3

Tips for optimum results...

As a loudspeaker is basically a mechanical transducer consisting of several different components, the individual elements must be run in during the initial weeks. This will ensure that the sound quality potential of your loudspeakers is fully utilized. You will definitely notice the resulting improvement in sound.



Recommendations:

- >In the first days and weeks listen only at normal volume
- >Avoid very high volume levels during initial phase
- >Listen to a wide range of programme material

Limit range:

- >The recommended amplifier output is 20-200 Watt. It must be ensured that the volume must only be turned up far enough for the ear to register an overload
- >If the loudspeaker chassis become damaged after a long period of overload this can be detected beyond any doubt by PIEGA service technicians - In these cases, PIEGA is not liable for any warranty claims

Note:

Excessively loud music can damage your health

>Listen to music at an acceptable volume level for the sake of your health...!

Daily Use

PIEGA AP 3, AS 3

Care and maintenance...

From development to production, right down to quality testing, PIEGA only uses materials and components of the highest quality. Your new PIEGA loudspeakers are provided with a polished aluminum surface. Although this material is not very sensitive, it should be treated with due care.



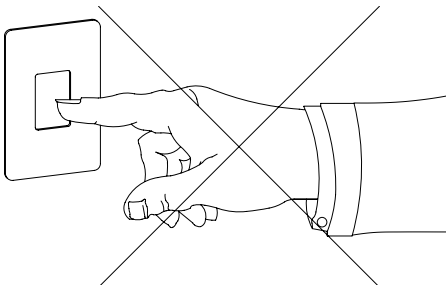
Care instructions:

>Clean the surfaces of the AP 3, AS 3 loudspeakers with a soft, fluff-free cloth

>If necessary use a soft cloth sprayed with a little mild window cleaner

>Never use alcohol or other solvents to clean your PIEGA loudspeakers

>Never use abrasive detergents or any agents with abrasive ingredients



Warnings:

>PIEGA LDR-ribbon tweeters are provided with extremely thin foil membranes that should not be touched or cleaned

>Do not remove the front cover and keep the loudspeakers away from children in particular

Warnung:

Do not touch the ribbon tweeters under any circumstances

>Touching the ribbon tweeters will unavoidably damage the membrane foil...!

Warranty Conditions

PIEGA AP 3, AS 3

Service- and warranty conditions

The warranty is limited to six years on our loudspeakers and three years on our electronics in accordance with the conditions stated below. Read through the service and warranty conditions carefully, especially the warnings concerning the purchase of PIEGA loudspeakers from unauthorized dealers.

Warranty conditions

- 1. Every Piega device leaves the factory in perfect condition. If any manufacturing and/or material defects are found during normal use of the device, we warrant to repair the device with free parts and labor during the first six years from the date of purchase.*
- 2. The registration card for the device must be sent to Piega within six weeks of purchase.*
- 3. The product must have been purchased at an authorized Piega dealer.*
- 4. The warranty will not be applicable if any repair is carried out by a person or a workshop that is not authorized to do this by Piega.*
- 5. If it is necessary for a device or part of it to be sent to Piega or an approved Piega workshop, the sender is responsible for paying all transport costs in advance. The original packaging must be used for sending the complete device.*
- 6. The warranty will not be applicable if the serial number of the device has been modified, removed or made illegible. It will also not apply if the device is not connected properly or not treated with due care. The warranty will also not be applicable if the device was modified or repaired in any way that in our view has altered the correct functioning of the device.*
- 7. Piega shall not be liable for the consequences of any damage.*

PIEGA Loudspeaker products from unauthorized dealers

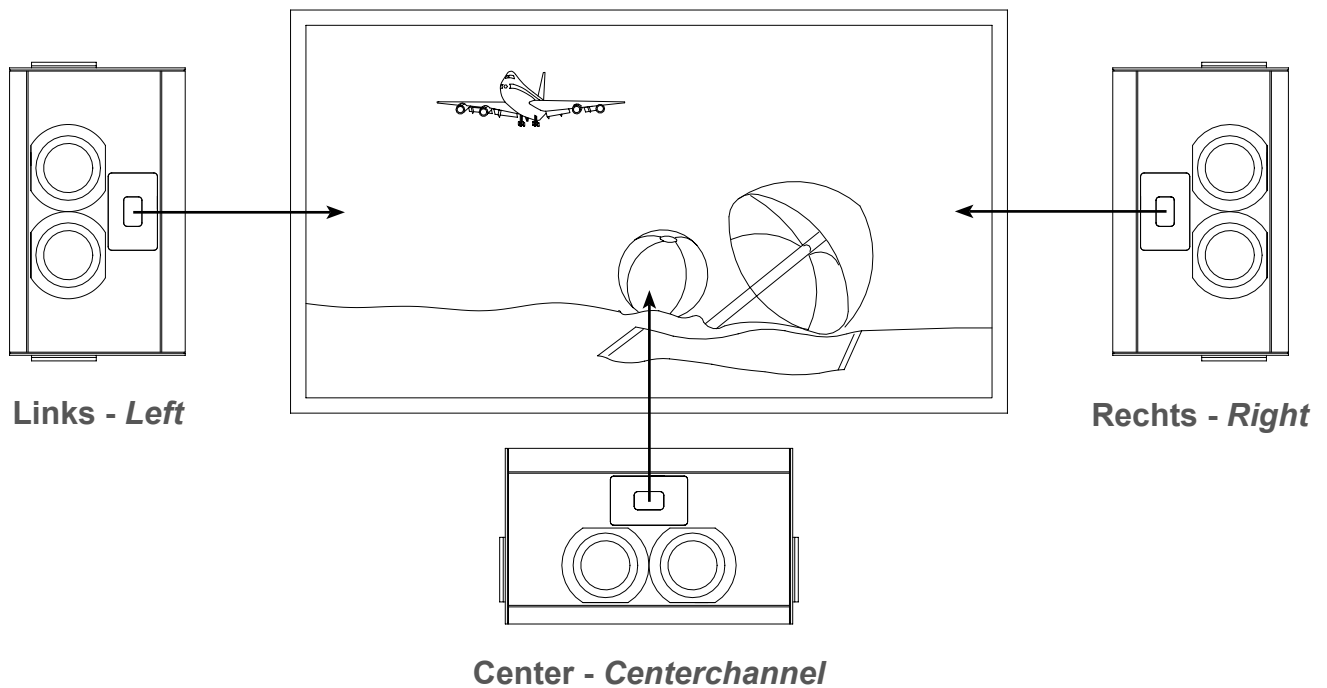
The official PIEGA warranty becomes invalid if a PIEGA loudspeaker product was purchased from an unauthorized dealer and is therefore a gray market product, or if the original serial number has been intentionally removed, replaced or made illegible. Should you have any doubt that the dealer you have selected is an officially authorized PIEGA dealer, we recommend that you contact us or the PIEGA sales organization in your country without fail. Please note the PIEGA sales policy statement at www.piega.ch

Mounting Aid

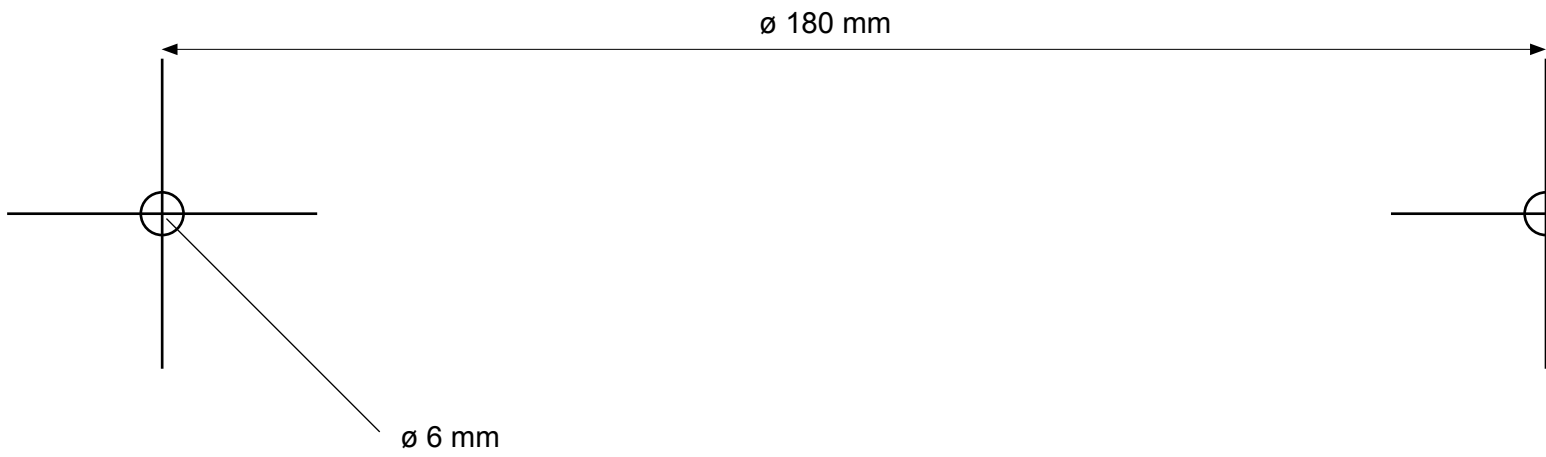
PIEGA AP 3, AS 3

On-Wall, In-Wall

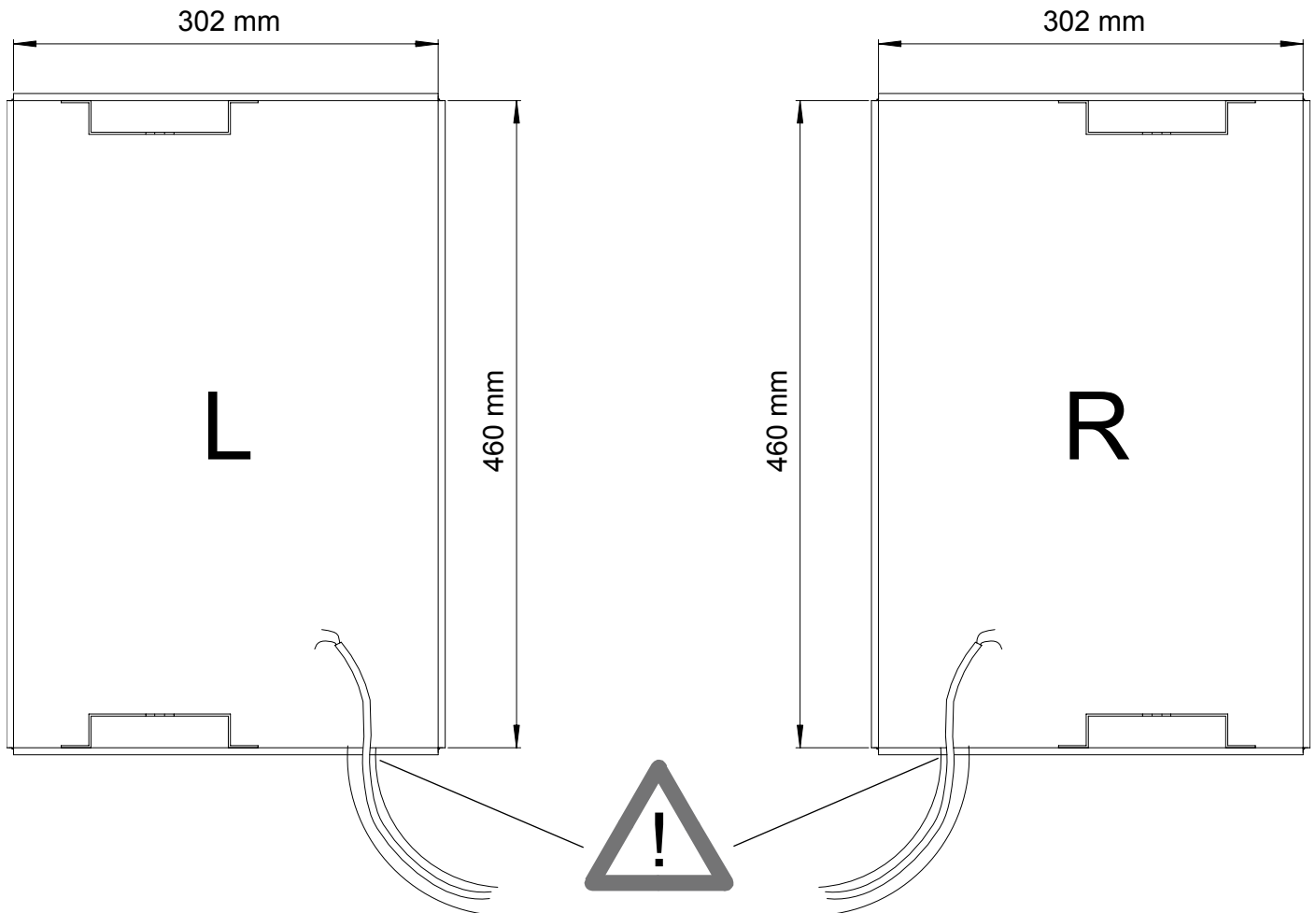
Flachbildschirm - Flatscreen

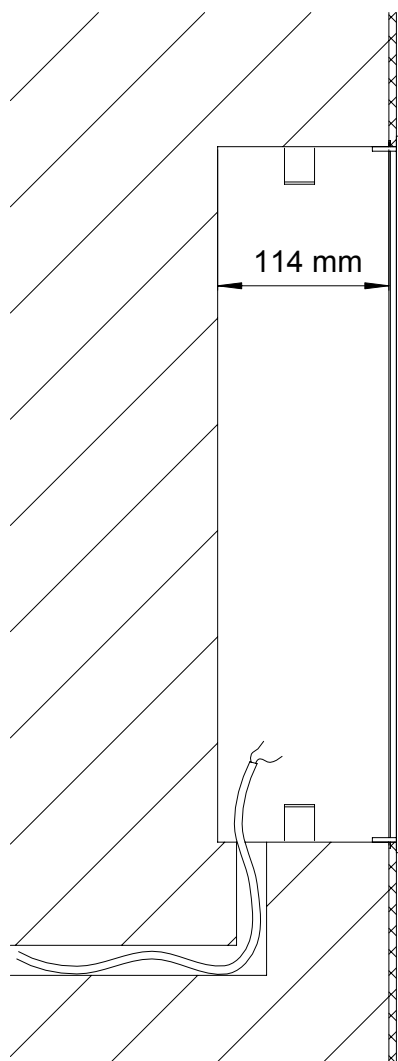
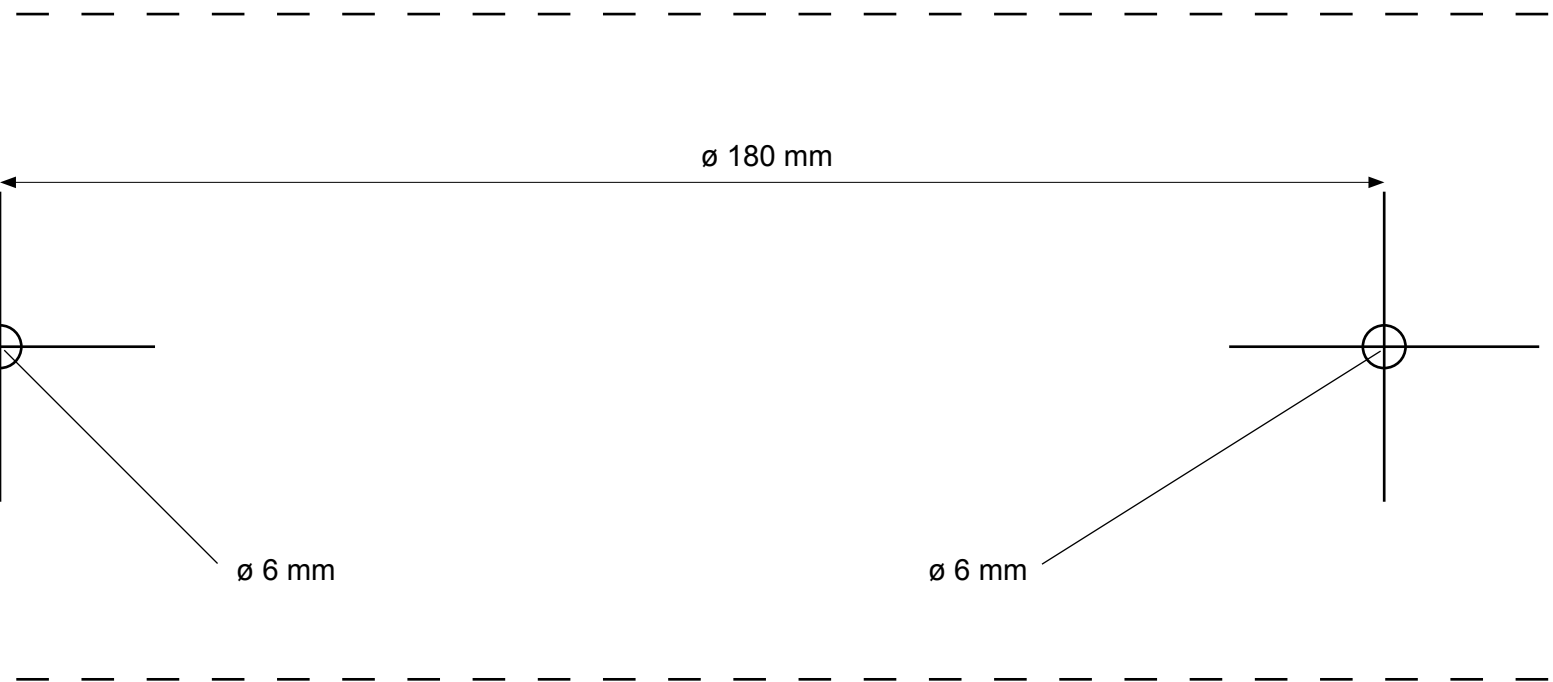


Aufputz
On-Wall



Unterputz
In-Wall





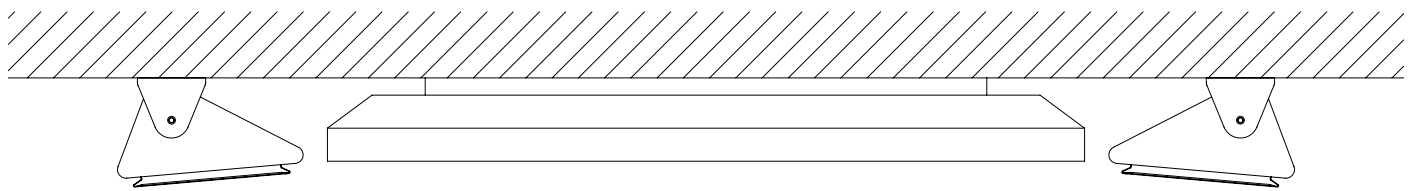
Zu beachten:

>Die Einbauhalterungen werden ohne Löcher für die Lautsprecherkabel und Stromanschlüsse (nur bei Aktiv-Versionen erforderlich), bzw. deren Leerrohre ausgeliefert - Die dafür notwendigen Bohrungen müssen bauseits vorgenommen werden...!

Please note:

>The In-Wall mounting brackets come without the holes for the loudspeaker cables and power supply cables (required for active versions only), resp. its tubes - The holes required for this must be provided by the customer...!

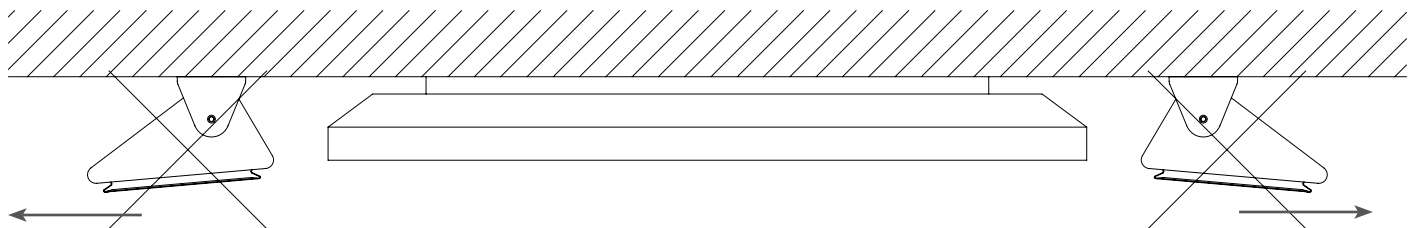
Frontlautsprecher Front speakers



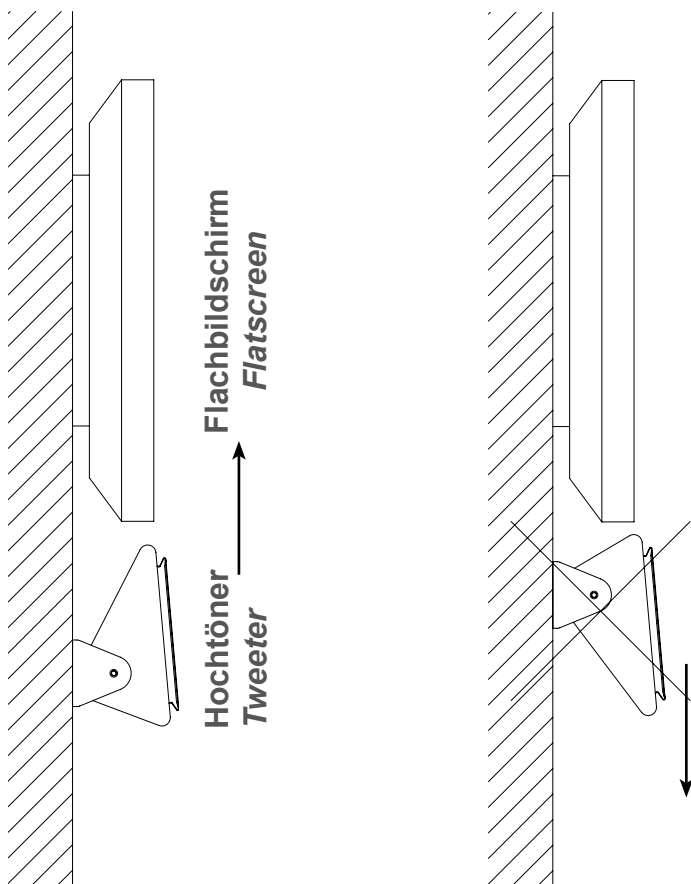
Hochtöner
Tweeter

Flachbildschirm
Flatscreen

Hochtöner
Tweeter



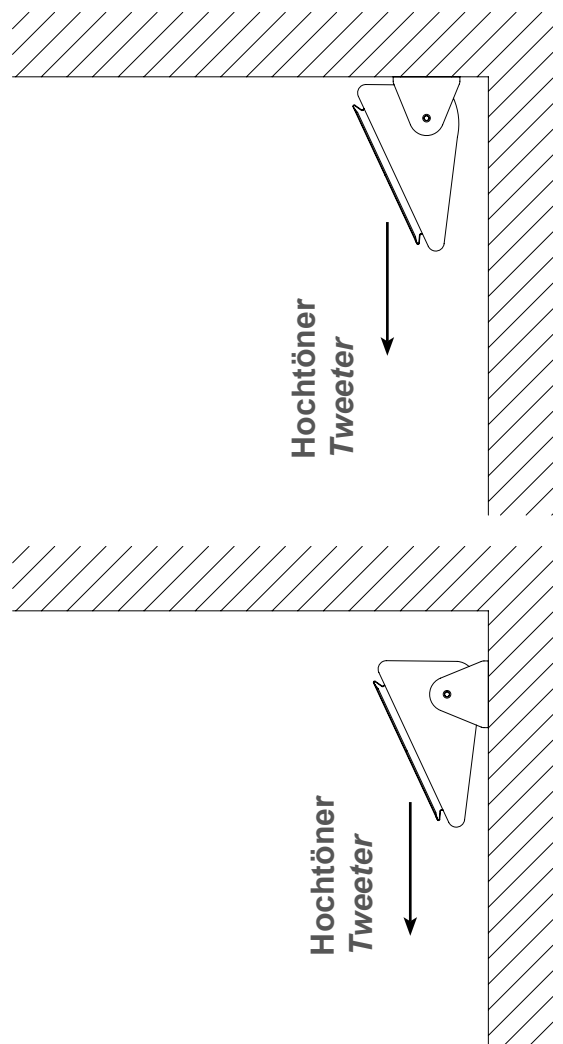
Centerlautsprecher Centerchannel speakers



Flachbildschirm
Flatscreen

Hochtöner
Tweeter

Deckenlautsprecher Ceiling speakers



Hochtöner
Tweeter

Hochtöner
Tweeter

Notes

PIEGA AP 3, AS 3

PIEGA SA
Bahnhofstrasse 29
CH-8810 Horgen, Switzerland

Tel.: +41 44 725 90 42
Fax: +41 44 725 91 92
www.piega.ch mail@piega.ch

Subject to modification, in particular technical modifications
All specifications without guarantee - All rights reserved



CONFORMS TO
UL STD. 6500

CERTIFIED TO
CAN/CSA STD. E60065

Free Manuals Download Website

<http://myh66.com>

<http://usermanuals.us>

<http://www.somanuals.com>

<http://www.4manuals.cc>

<http://www.manual-lib.com>

<http://www.404manual.com>

<http://www.luxmanual.com>

<http://aubethermostatmanual.com>

Golf course search by state

<http://golfingnear.com>

Email search by domain

<http://emailbydomain.com>

Auto manuals search

<http://auto.somanuals.com>

TV manuals search

<http://tv.somanuals.com>