

# User Manual

**PIEGA P SUB 4**    Active-Subwoofer  
Version 1.0

***“Music. That’s really the only important issue  
when it comes to loudspeakers....“***

In our view, the superior loudspeaker is the one that does not interfere. One that adds no sound of its own. That accurately and naturally conveys what was played in the concert or recording studio. Since 1986 we have been working to perfect this ideal – with a pioneering spirit, inventiveness and exacting craftsmanship. You will now be able to hear for yourself how far we have succeeded.

By purchasing a loudspeaker from PIEGA you have expressed your trust in our company, for which we thank you very much. At the same

time we assure you that you have purchased a product that is based on twenty years of R & D, and which in terms of its design represents the state of the art. We are sure that you will gain much listening enjoyment from your new Piega loudspeaker products.

Although using the loudspeakers is very straightforward, we recommend that you read the contents of this user manual carefully. It will explain how to properly connect up your new PIEGA loudspeaker products and install them for optimum results. It also provides you

with some useful information that will increase your understanding of loudspeakers. But don't worry. Even apparently complicated details are explained very simply. On the last page of these instructions you will find our warranty conditions. Please also read these carefully just in case.

We wish you an enjoyable read and above all much listening enjoyment with your new PIEGA loudspeakers...!

# Contents

This user manual describes how to connect the PIEGA P SUB 4 active subwoofer to different loudspeaker configurations and the appropriate setting options for optimum operation in stereo and home cinema mode. It also contains instructions for unpacking and setting up the P SUB 4.

## 4 Precautions

Before unpacking...

## 5 Unpacking the P SUB 4

Instructions for unpacking...

## 6 Installation Instructions

Recommendations for ideal positioning...

## 7 Connection Options

Connection terminal for different applications...

## 8 Connecting the System

Configuration examples for stereo and surround mode\*...

## 13 Setting the Sound Characteristics

Setting options for individual requirements...

## 14 Daily Use

Care and maintenance...

## 15 Warranty Conditions

Service and warranty conditions

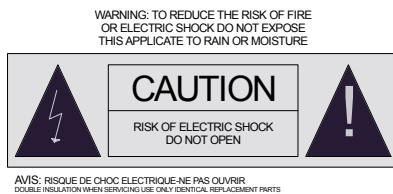
\*Other configuration examples can be obtained from [www.piega.ch](http://www.piega.ch)

# Precautions

## PIEGA P SUB 4

Before unpacking...

Please read this user manual carefully and pay special attention to the following precautions and warnings. In your own interest, we advise you to strictly observe the following procedure when installing your new PIEGA P SUB 4.



CONFORMS TO  
UL STD. 6500  
CERTIFIED TO  
CAN/CSA STD. E60065



### Warning:

**>The PIEGA P SUB 4 subwoofer has been designed for use with PIEGA loudspeaker products. Nevertheless, the subwoofer can also be operated with the loudspeakers of other suppliers**

**>Ensure particularly that the P SUB 4 is installed and connected in accordance with the instructions of this user manual**

**>The P SUB 4 was only designed for use in dry residential environments within a temperature range of 10...40°C**

# Unpacking the P SUB 4

## PIEGA P SUB 4

Instructions for unpacking...

Special care was taken in the packaging of your P SUB 4 in order to ensure that this new PIEGA quality product reaches your living room safely and undamaged. In order to avoid any damage when unpacking the loudspeaker, follow closely the instructions below.



### **Procedure:**

*>Before unpacking, remove any jewelry such as watches, rings, bracelets etc. in order to avoid scratching the aluminum*

*>Open the carton as shown in the figure and remove the supply cable and spikes provided. Leave the protective cushion*

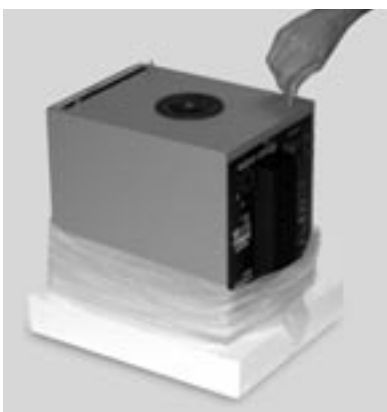
*>Carefully invert the subwoofer 180° with the carton open and stand it on the protective cushion so that the carton can be lifted up and off the loudspeaker*

*>Remove the protective foil and the upper protective cushion and by hand fit the spikes supplied*

*>Turn the subwoofer over 180° once more and stand it on the spikes. To ensure trouble-free operation of the P SUB 4 the spikes must be screwed in...!*

*>Check that the P SUB 4 has not been damaged in transit.*

*>Then place the P SUB 4 in the required position*



### **Warning:**

**The P SUB 4 subwoofer is an active subwoofer with a bass reflex system.**

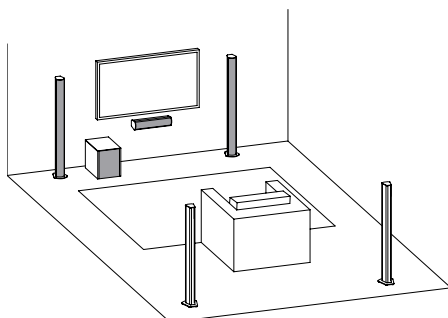
**>Ensure that the bass reflex port is not blocked...!**

# Installation Instructions

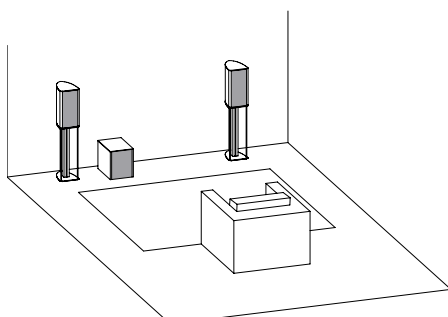
## PIEGA P SUB 4

Recommendations for ideal positioning...

The P SUB 4 can be installed flexibly and easily. Due to its relatively small size, it can be integrated in any unit and can be positioned as required virtually anywhere in the room. However, to ensure the most natural sound, the P SUB 4 should be placed on the floor near the two front loudspeakers.



Surround mode



Stereo mode

### ***Ideal setup:***

***>For both surround and stereo mode, position the P SUB 4 as close to the two front loudspeakers as possible***

***>The bass chassis of the P SUB 4 should face the front, with the connection terminal facing the wall***

***>Only a small clearance from the wall is required (approx. 30 cm) for this configuration as the sound is directed forward from the chassis***

***>Do not in any way prevent the free movement of the P SUB 4***

***>Do not place any objects such as vases etc. on the P SUB 4 so as avoid the possibility of accidents***

### **Note:**

**Frequencies below 100 Hz cannot be localized by the human ear.**

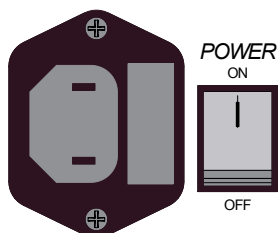
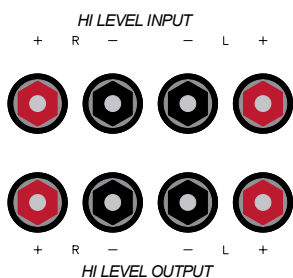
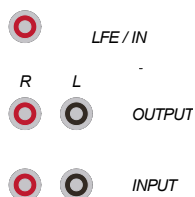
***>The exact positioning of the P SUB 4 is largely unnecessary...!***

# Connection Options

## PIEGA P SUB 4

Connection terminal for different applications...

Its large range of connection options offers the P SUB 4 a large number of configurations both for stereo and for surround mode. Refer to the appropriate user manual supplied for specific information on the loudspeakers used and components of your stereo or surround system.



115/230V~  
50/60Hz  
T1.25AL250VFOR 230V INPUT  
T2AL250VFOR 115V INPUT

### Note:

>The connection terminal of the P SUB 4 allows a number of possible configuration options for stereo and surround mode

>Depending on the equipment in use, select the appropriate configuration (see the following pages)

>The LFE/IN, INPUT, OUTPUT terminals for connecting to the AV receiver or the stereo amplifier require connection cables with cinch plugs

>The HIGH LEVEL INPUT and HIGH LEVEL OUTPUT terminals for connecting amplified music signals can be connected to loudspeaker cables with or without banana plugs

### Connecting the supply cable:

>Check whether the default switch position (230/115 V) of your P SUB 4 corresponds to the standard supply voltage in your country

>Plug the supply cable provided with the loudspeakers into the appropriate socket

>Do not switch on the P SUB 4 (POWER ON) until all cable connections have been made

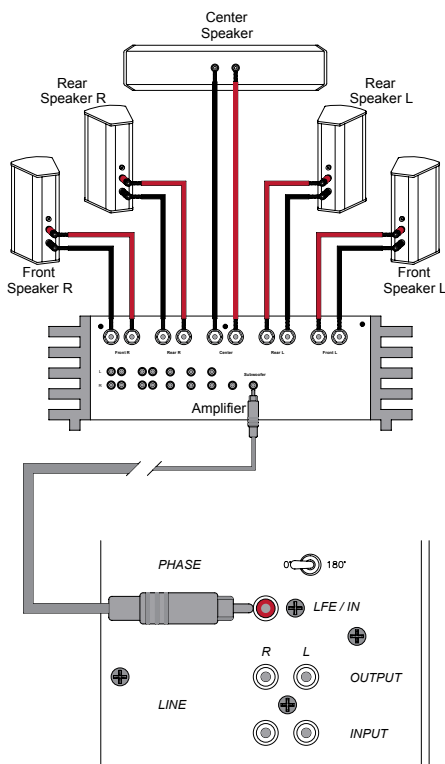
# Connecting the System

## PIEGA P SUB 4

Configuration example for surround mode

This connection configuration for 5.1 surround applications uses an AV receiver with a separate subwoofer output. Since the AV receiver handles the bass management in this configuration, the settings for each loudspeaker can be adjusted individually via the menu. Note that in this case, the LOW PASS setting of the P SUB 4 has no effect (see page 13). Refer to the user manual of your AV receiver for information on the individual setup controls.

### Dolby Digital System - Surround System with AV Receiver



#### Connection:

- >Connect the P SUB 4 cable to the terminal marked SUBWOOFER (or similar) on the AV receiver
- >Connect the P SUB 4 cable to the terminal on the subwoofer marked LFE/IN
- >For this use a suitable connection cable with cinch plugs (not supplied with the loudspeakers)
- >Connect the front, rear and center loudspeakers using the loudspeaker terminals provided on your AV receiver
- >Setting tip: Turn the LOW PASS knob up full and the VOLUME knob to just over half way

#### Benefit:

- The most frequently used and ideal connection configuration for 5.1 surround mode
- >The P SUB 4 can be tuned for optimum results...!



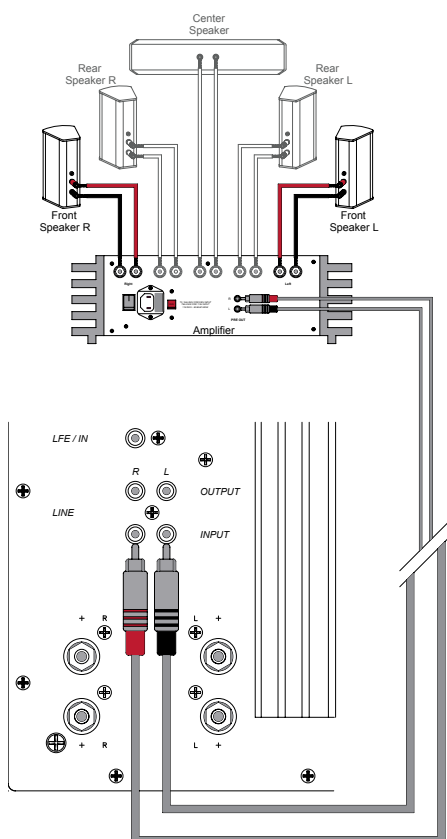
# Connecting the System

## PIEGA P SUB 4

Configuration example for stereo and surround mode

The 5.1 receivers and power amplifiers of some manufacturers have a separate NF Out socket for connecting a subwoofer. This enables the signal to reach the subwoofer without any amplification. Refer to the appropriate manual for information about operation and connection options for your AV receiver/power amplifier.

### Dolby Digital System - Surround System with NF Out



#### Connection:

>Connect the P SUB 4 cable to the AV receiver terminal marked PRE OUT (or similar)

>Connect the P SUB 4 cable to the subwoofer terminal marked INPUT

>For this use connection cables with cinch plugs (not supplied)

>Connect the loudspeakers using the loudspeaker terminals provided on your AV receiver/power amplifier

#### Note:

Frequently used configuration

>Ideal configuration for stereo mode...!

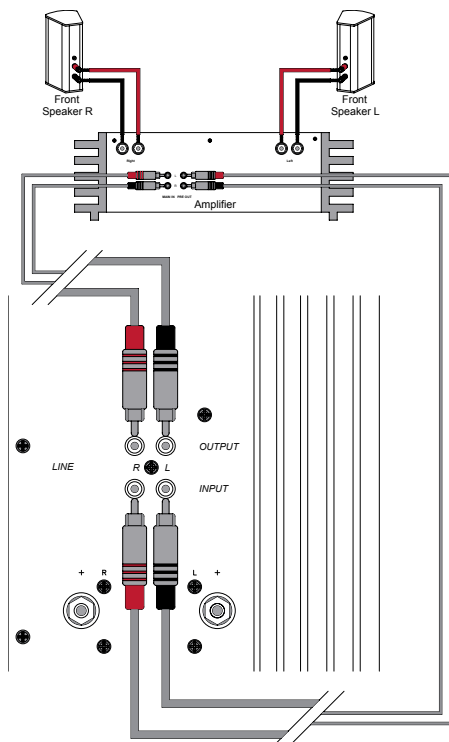
# Connecting the System

## PIEGA P SUB 4

Configuration example for stereo mode

The power amplifiers of some manufacturers feature separate MAIN IN and PRE OUT terminals, allowing the preamplified signal to reach the subwoofer and to be looped back again filtered. In this way the loudspeakers are relieved in the deep range, thus gaining in precision and sound characteristics (see page 13). Refer to the appropriate manual for information about operation and connection options for your power amplifier.

### Stereo System with power amplifier featuring MAIN IN/PRE OUT loop



#### Connection:

- >Connect the P SUB 4 cable to the amplifier terminal marked **PRE OUT** (or similar) and to the subwoofer terminal marked **INPUT**
- >Connect the P SUB 4 cable to the amplifier terminal marked **MAIN IN** (or similar) and to the subwoofer terminal marked **OUTPUT**
- >For this use two connection cables with cinch plugs (not supplied with the loudspeakers)
- >Connect the front, rear and center loudspeakers using the loudspeaker terminals provided on your AV receiver

#### Benefit:

- Preferred configuration in the high end range**
- >The loudspeakers are relieved in the deep bass range...!

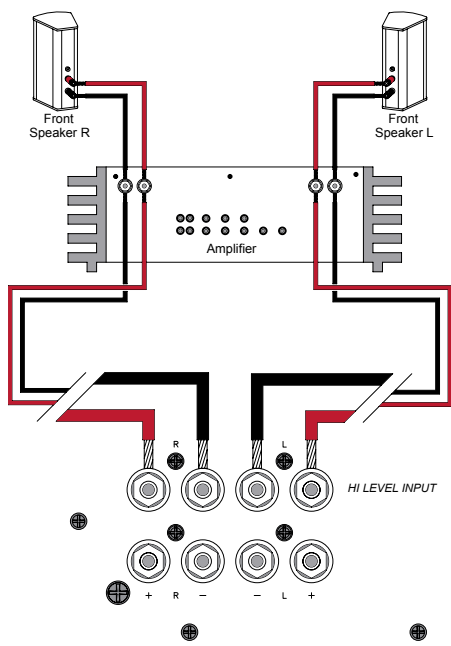
# Connecting the System

## PIEGA P SUB 4

Configuration example for stereo mode

This is a widely used configuration for stereo mode, although it is not recommended for surround mode since there is a risk of overloading with small satellite loudspeakers. With this configuration, the connection is made to the amplifier. Refer to the appropriate manual for information about operation and connection options for your power amplifier.

### Subwoofer mode via loudspeaker terminals



#### Connection:

>Connect the P SUB 4 MKII cable to the amplifier terminal marked **SPEAKER** (or similar)

>Likewise connect up the loudspeakers (parallel) to the terminal marked **SPEAKER** (or similar)

>For this use two similar connection cables (not supplied)

#### Benefit:

*Frequently used configuration in stereo mode*

*>Flexible positioning of components...!*

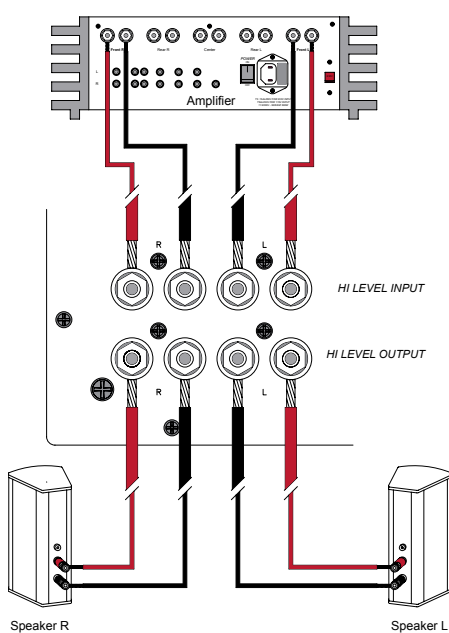
# Connecting the System

## PIEGA P SUB 4

Configuration example for stereo mode

Commonly used configuration in stereo mode with the loudspeakers (parallel) connected to the subwoofer. Refer to the appropriate manual for information about operation and connection options for your stereo amplifier.

### Loudspeaker terminals on the subwoofer



### Connection:

- >Connect the P SUB 4 subwoofer cable to your stereo amplifier at the terminal marked **SPEAKER** (or similar)
- >Connect up the loudspeakers parallel to the subwoofer
- >For this use suitable loudspeaker cables, if necessary with banana plugs (not supplied)

### Benefit:

**Frequently used configuration in stereo mode**

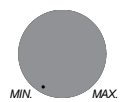
**>Simple and durable cabling...!**

# Settings of the Sound Characteristics

## PIEGA P SUB 4

Setting options for individual requirements...

Thanks to the use of the most advanced active electronics, your new P SUB 4 is a cutting edge product in the field of subwoofers. The connection and setting options provided on the P SUB 4 allow the best possible connection to your stereo or surround sound system and can be adapted to your individual audio requirements.



LEVEL

### LEVEL

>Use this knob to adjust the subwoofer volume

Setting tip: Turn the subwoofer to maximum volume and then turn it down until it sounds too quiet for you

### LED

>The LED is off when the loudspeaker is switched off, and is red when it is in standby mode. When the subwoofer is in operation the LED is green to indicate trouble-free operation



AUTO POWER

### AUTO POWER

>Use this switch to activate the standby function of the P SUB 4.

This enables the subwoofer to switch on automatically as soon as a signal is received and to switch off when there is no more signal. When the AUTO POWER switch is in the OFF position, the subwoofer stays permanently switched on >>Factory setting ON



LOW PASS

### LOW PASS

>Use this knob to set the crossover frequency between subwoofer and full-range speaker according to the connection method\* used.

This will relieve the satellite loudspeakers in the bass range >>Factory setting 80 – 100 Hz



PHASE

### PHASE-SWITCH

>Use this switch to set the subwoofer to In Phase or Out of Phase.

Depending on the type of loudspeaker, there will be a phase cancelling (little bass) or a phase correction (normal bass)

>>Factory setting 0

\* LOW PASS is not active when the P SUB 4 is connected to an AV receiver as described on page 8

## Daily Use

### PIEGA P SUB 4

#### Care and maintenance

From development to production, right down to quality testing, PIEGA only uses materials and components of the highest quality. Your new P SUB 4 has a polished aluminum surface. As this material is very sensitive, it should be treated with due care.



#### **Procedure:**

*>Clean the surface of the P SUB 4 with a soft, fluff-free cloth*

*>If necessary, the P SUB 4 can be cleaned with a vacuum cleaner set to the lowest power setting*

*>Never use alcohol or other cleaning agents to clean your P SUB 4*

*>If necessary, use a damp cloth with a solution of lukewarm water and a few drops of washing up liquid*

#### **Warning:**

***On no account open the cabinet of the P SUB 4***

***>Electronic components carry a dangerous high voltage...!***

# Warranty Conditions

## PIEGA P SUB 4

### Service- and warranty conditions

The warranty is limited to six years on our loudspeakers and three years on our electronics in accordance with the conditions stated below. Read through the service and warranty conditions carefully, especially the warnings concerning the purchase of PIEGA loudspeakers from unauthorized dealers.

#### Warranty conditions

- 1. Every Piega device leaves the factory in perfect condition. If any manufacturing and/or material defects are found during normal use of the device, we warrant to repair the device with free parts and labor during the first six years from the date of purchase.*
- 2. The registration card for the device must be sent to Piega within six weeks of purchase or registered via the Internet via [www.piega.ch/warranty](http://www.piega.ch/warranty).*
- 3. The product must have been purchased at an authorized Piega dealer.*
- 4. The warranty will not be applicable if any repair is carried out by a person or a workshop that is not authorized to do this by Piega.*
- 5. If it is necessary for a device or part of it to be sent to Piega or an approved Piega workshop, the sender is responsible for paying all transport costs in advance. The original packaging must be used for sending the complete device.*
- 6. The warranty will not be applicable if the serial number of the device has been modified, removed or made illegible. It will also not apply if the device is not connected properly or not treated with due care. The warranty will also not be applicable if the device was modified or repaired in any way that in our view has altered the correct functioning of the device.*
- 7. Piega shall not be liable for the consequences of any damage.*

#### PIEGA Loudspeaker products from unauthorized dealers

*The official PIEGA warranty becomes invalid if a PIEGA loudspeaker product was purchased from an unauthorized dealer and is therefore a gray market product, or if the original serial number has been intentionally removed, replaced or made illegible. Should you have any doubt that the dealer you have selected is an officially authorized PIEGA dealer, we recommend that you contact us or the PIEGA sales organization in your country without fail. Please note the PIEGA sales policy statement at [www.piega.ch](http://www.piega.ch)*

PIEGA SA  
Bahnhofstrasse 29  
CH-8810 Horgen, Switzerland

Tel.: +41 44 725 90 42  
Fax: +41 44 725 91 92  
www.piega.ch mail@piega.ch

Subject to modification, in particular technical modifications  
All specifications without guarantee



CONFORMS TO  
UL STD. 6500

CERTIFIED TO  
CAN/CSA STD. E60065

© Copyright 2004 by PIEGA SA, Switzerland  
All rights reserved  
V1.0.04.1213



## Free Manuals Download Website

<http://myh66.com>

<http://usermanuals.us>

<http://www.somanuals.com>

<http://www.4manuals.cc>

<http://www.manual-lib.com>

<http://www.404manual.com>

<http://www.luxmanual.com>

<http://aubethermostatmanual.com>

Golf course search by state

<http://golfingnear.com>

Email search by domain

<http://emailbydomain.com>

Auto manuals search

<http://auto.somanuals.com>

TV manuals search

<http://tv.somanuals.com>