



Model #s:
BCB-36-BDF, PT-36-BDF, BCB-42-BDF, PT-42-BDF
BCB-48-BDF, PT-48-BDF



Table of Contents

Safety Information.....2
 Installation.....3
 Wiring Diagram.....3
 Maintenance and Storage.....3
 Belt Maintenance.....3
 Exploded View.....4
 Replacement Parts List.....4
 Troubleshooting.....5
 Warranty6

IMPORTANT: Read and understand all of the directions in this manual before assembling, starting or servicing the fan. Improper use of this fan can cause serious injury. Keep this manual for future reference.

This product meets and exceeds the requirements of OSHA 1910.212(a)(5), the standard which regulates electric fan blade safety, and is certified under UL# E234000, established and made effective April 10, 2003, and updated March 23, 2005, by Underwriters Laboratories, Inc.

Model	HP	RPM		CFM	
		HIGH	LOW	HIGH	LOW
36"	1/3 HP	530	445	10,200	7,300
42"	1/2 HP	460	385	13,300	9,500
48"	1 HP	430	350	17,200	10,600

CONSUMER: Retain this manual for future reference.

Please note the serial number of your fan, and write it on the back of this User's Manual for future reference.

Your serial number is located inside the rear guard.

This product protected under U.S. Patent # 7,413,199

Pinnacle Products International, Inc. 668 Stony Hill Road #302 Yardley, PA 19067 USA
 Phone: 215-891-8460 Fax: 215-891-8461 Web: www.pinnacleint.com Email: info@pinnacleint.com

NEVER LEAVE A FAN
OPERATING UNATTENDED



Portable
Air Circulator

IMPORTANT: READ ALL INSTRUCTIONS CAREFULLY BEFORE ASSEMBLY, SERVICE OR USE OF THIS FAN. FAILURE TO COMPLY WITH THESE INSTRUCTIONS COULD RESULT IN SERIOUS PERSONAL INJURY AND / OR PROPERTY DAMAGE.

Safety Information

▲WARNING

1. This unit is designed for indoor use only. Do not expose to elements or allow to become wet.
2. To guard against electric shock while operating, do not allow fan to come in contact with other grounded objects such as pipes, radiators, etc.
3. To reduce the risk of electrical shock, do not use with any solid state speed control device.
4. Do not use to exhaust hazardous chemicals or use near any flammable liquids or gases as sparks from motor may ignite fumes.
5. Turn off, unplug unit, and wait for fan to stop before moving, storing, and / or changing operating locations.
6. Operate only on 115 volt 60 Hz (cycle) current with a minimum of a 15 amp circuit.
7. Before operating always check fan for loose or damaged parts. Inspect power cord for any damage. Never use fan if any parts are damaged or missing. Never use fan without safety guards attached.
8. When used with an extension cord, use only cord of proper size (Amp rating), UL listed, and with receptacle to accept three prong grounded plug furnished on the fan's power cord. Always keep power cord and extension cords away from heat, oil, and sharp edges. Inspect cords periodically and replace if damaged.
9. Disconnect fan from power source when not in use, before servicing and when cleaning or repairing.
10. Repair of this appliance should be done by a qualified electrician.
11. In case of power failure, turn fan off at switch to prevent unexpected restarting and component damage.
12. Keep children away from fan at all times.

Installation

Simply locate fan in safe, desired position on level ground, and connect to approved power source.

Operation

This fan is equipped with a 2-speed control switch.

TO START FAN:

1. Be sure the Power Switch is in the middle (OFF) position.
2. Connect to an approved power source.
3. Make sure area is clear from all obstructions.
4. Push Power Switch to the LOW position and allow to operate for 10 seconds.
5. Once 10 seconds have passed, you may now push the Power Switch to the HIGH position.

TO TURN OFF FAN:

- 1 To turn off the fan, simply return Power Switch to the middle (OFF) position.

NOTE: For longer parts life, after 10 hours of continuous operation, turn fan off for 15 minutes to allow motor and fan belt to cool.

Maintenance and Storage

1. Inspect your fan before each use. Check all wires and extension cords, following the procedure outlined on Page 2 (Safety Information).
2. After use, always be sure fan's Power Switch is in the OFF position before unplugging. Use cord wrap (see page 4) to keep cord off the ground when transporting fan.

Belt Tightening / Replacement

1. Remove screws from Rear Guard and tilt wheel (figure 1).
2. Loosen motor nuts, and motor safeguards (located above and below motor).
3. Remove belt to replace, or adjust motor to tighten belt (figure 2).

Belt Replacement (Continued)

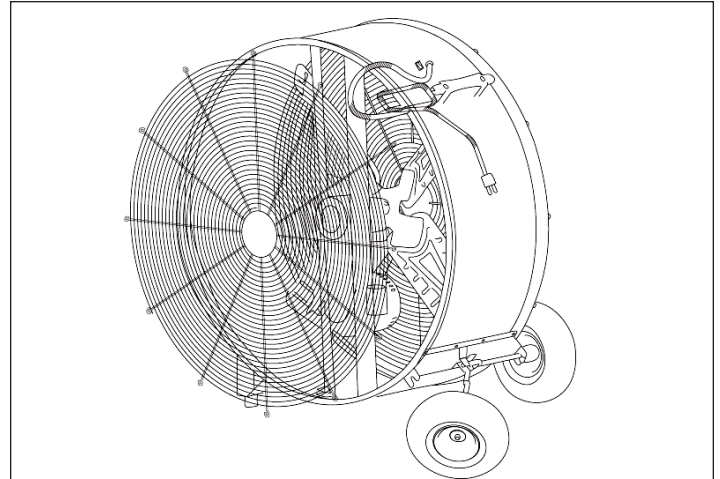


figure 1

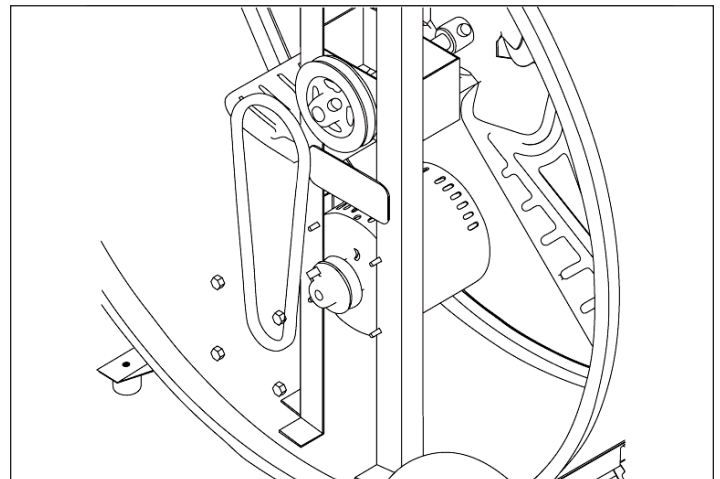
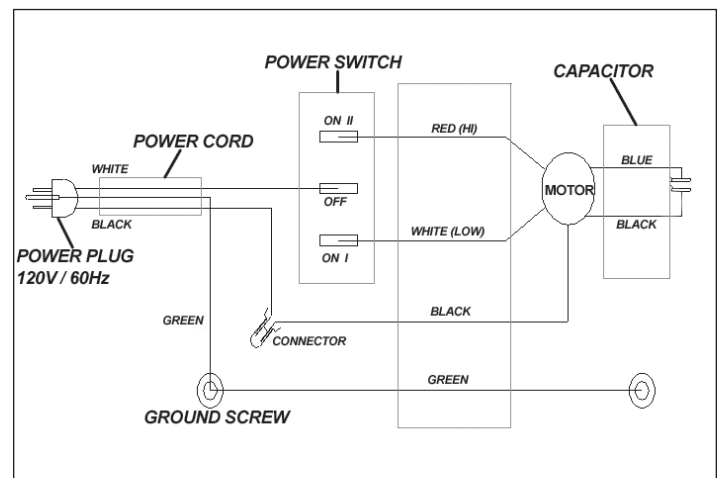


figure 2



Wiring Diagram

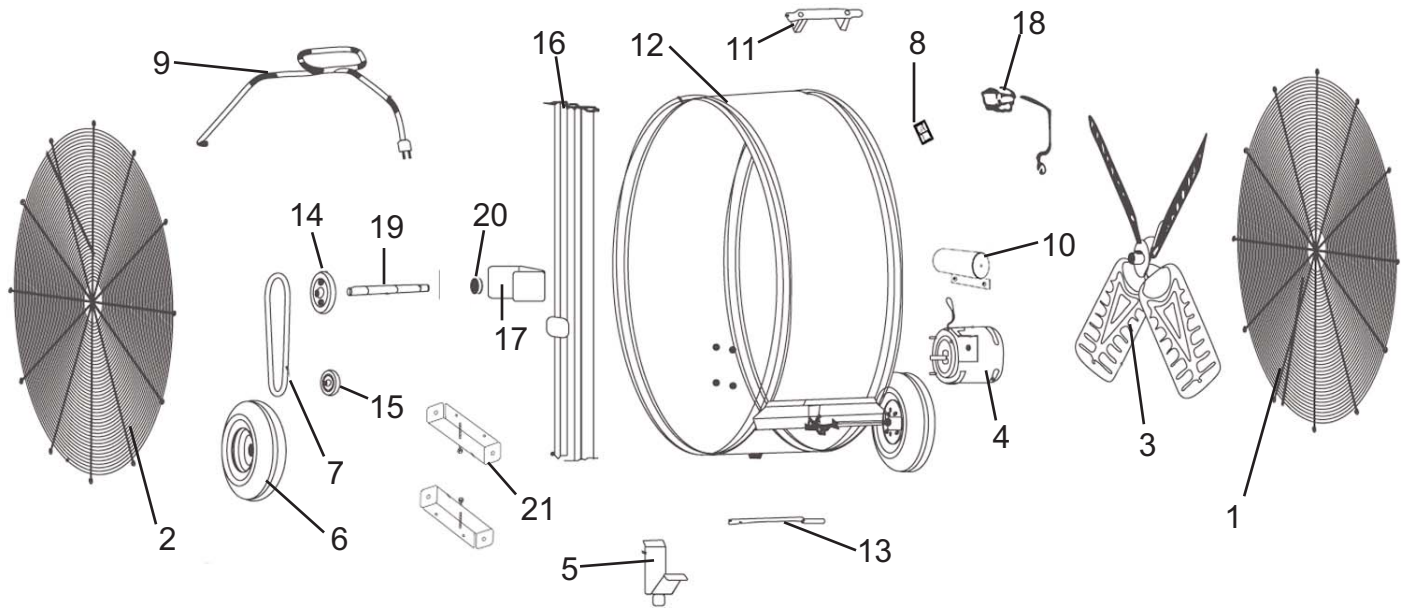
NEVER LEAVE A FAN
OPERATING UNATTENDED

BigCountryBreeze

PROTEMP

Portable
Air Circulator

Exploded View



Exploded View of Fan

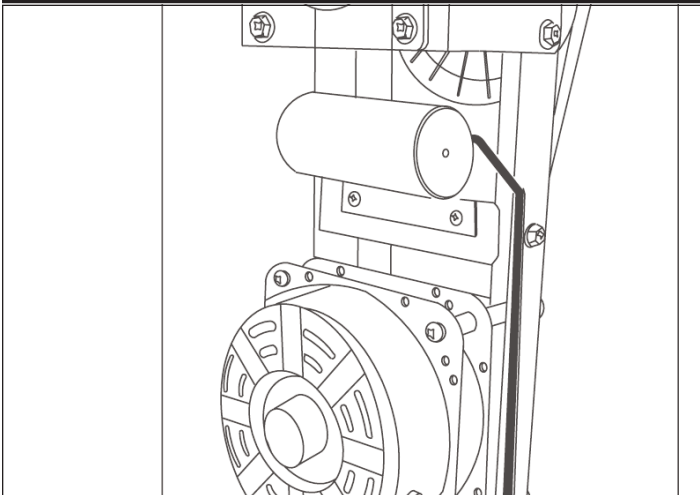
Replacement Parts

Item #	Description	Models:		
		36-BDF Series	42-BDF Series	48-BDF Series
1	Front Guard	90-032-0040	90-032-0050	90-032-0500
2	Rear Guard	90-032-0400	90-032-0450	90-032-0550
3	Fan Blade Assembly	90-003-1000	90-003-2000	90-003-5200
4	Motor	90-030-0700	90-030-0800	90-030-0900
5	Leg	90-002-0475	90-002-0475	90-002-0450
6	Pneumatic Wheel	90-008-0300	90-008-0200	90-008-0200
7	Belt	90-037-0400	90-037-0450	90-037-0450
8	Power Switch	90-025-0100	90-025-0100	90-025-0110
9	Power Cord	90-026-0050	90-026-0100	90-026-0100
10	Capacitor Assembly	90-004-1000	90-004-1000	90-004-2400
11	Handle / Cord Wrap	90-006-0100	90-006-0100	90-006-0100
12	Frame (PT / BCB)	90-001-1100 / 1130	90-001-1110 / 1140	90-001-1120 / 1150
13	Wheel Axle	90-008-0470	90-008-0480	90-008-0480
14	Fan Pulley	90-034-0300	90-034-0350	90-034-0350
15	Motor Pulley	90-035-0300	90-035-0300	90-035-0300
16	Mount Bar	90-009-0260	90-009-0270	90-009-0280
17	Bearing Housing	90-013-0200	90-013-0200	90-013-0105
18	Power Switch Holder	90-016-0100	90-016-0100	90-016-0100
19	Fan Shaft	90-003-0660	90-003-0660	90-003-0670
20	Bearing	90-040-0100	90-040-0100	90-040-0100
21	Hardware for Front and Rear Guards	90-066-0003	90-066-0003	90-066-0003

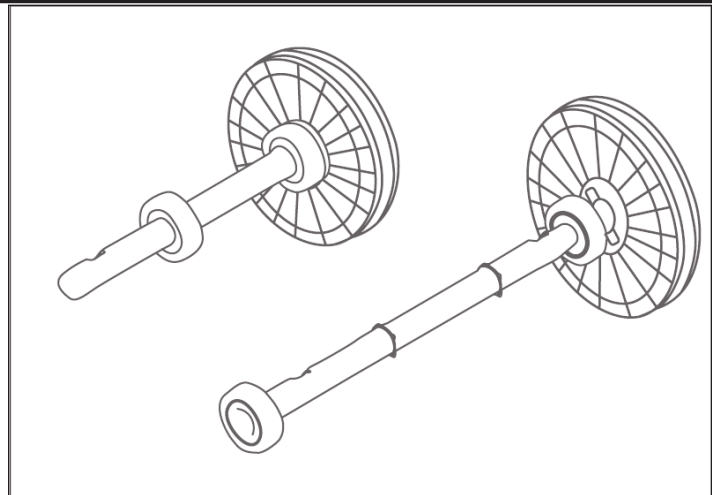
**NEVER LEAVE A FAN
OPERATING UNATTENDED**



**Portable
Air Circulator**



Capacitor Assembly



Fan Shaft Assembly

Troubleshooting Guide

Problem	Possible Cause	Corrective Action
Fan does not operate	1. No power	Inspect Power Cord for damage. Be sure unit is plugged in and turned on.
	2. Bad switch	Replace Power Switch (Note: To prolong life of Power Switch, it is recommended that the fan is first operated in LOW for 5-10 seconds before switching to HIGH).
	3. Motor is humming	Capacitor is damaged or belt is too tight. Replace Capacitor or loosen belt.
Reduced Air Flow	1. Loose pulleys or fan blade	Tighten motor pulley Hex Screw.
	2. Loose or worn belt	See page 3 for belt tightening instructions.
	3. Motor is humming	Capacitor is damaged or belt is too tight.. Replace Capacitor or loosen belt.
Excess Noise (vibration, slapping, squealing)	1. Fan is not on level ground	Turn off fan, and relocate unit to smooth level surface.
	2. Loose pulley or belt	Tighten Hex screw to tighten Motor Pulley. See page 3 for for belt tightening instructions.
	3. Motor bolts are not secure	Tighten Motor Safeguard bolts and 4 motor bolts.
	4. Defective fan bearings	Replace Fan Bearings.

Pinnacle Products International, Inc. reserves the right to make any changes in materials, specifications, prices or design without notice. **Pinnacle Products International, Inc.** may also discontinue items at any time.

Specifications subject to change without notice

NEVER LEAVE A FAN
OPERATING UNATTENDED



Portable
Air Circulator

1 YEAR LIMITED WARRANTY

PINNACLE PRODUCTS INTERNATIONAL, INC. WARRANTS THIS PRODUCT TO THE ORIGINAL RETAIL PURCHASER ONLY, TO BE FREE FROM DEFECTS IN MATERIAL AND WORKMANSHIP FOR A PERIOD OF ONE (1) YEAR FROM THE DATE OF INITIAL PURCHASE. THIS PRODUCT MUST BE PROPERLY INSTALLED, MAINTAINED AND OPERATED IN ACCORDANCE WITH THE INSTRUCTIONS PROVIDED.

PINNACLE PRODUCTS INTERNATIONAL, INC. REQUIRES REASONABLE PROOF OF YOUR DATE OF PURCHASE FROM AN AUTHORIZED RETAILER OR DISTRIBUTOR. THEREFORE, YOU SHOULD KEEP YOUR SALES SLIP, INVOICE, OR CANCELLED CHECK FROM THE ORIGINAL PURCHASE. THIS LIMITED WARRANTY SHALL BE LIMITED TO THE REPAIR OR REPLACEMENT OF PARTS, WHICH PROVE DEFECTIVE UNDER NORMAL USE AND SERVICE WITHIN THE WARRANTY PERIOD, AND WHICH **PINNACLE PRODUCTS INTERNATIONAL, INC.** SHALL DETERMINE AT ITS REASONABLE DISCRETION.

THIS WARRANTY DOES NOT APPLY TO PRODUCTS PURCHASED FOR RENTAL USE.

THIS LIMITED WARRANTY DOES NOT COVER REPLACEMENT OF BELTS OR TIGHTENING OF BELTS, OR ANY FAILURES OR OPERATING DIFFICULTIES DUE TO NORMAL WEAR AND TEAR, ACCIDENT, ABUSE, MISUSE, ALTERATION, MISAPPLICATION, IMPROPER INSTALLATION OR IMPROPER MAINTENANCE AND SERVICE BY YOU OR ANY THIRD PARTY. FAILURE TO PERFORM NORMAL AND ROUTINE MAINTENANCE ON THE FAN, SHIPPING DAMAGE, DAMAGE RELATED TO INSECTS, BIRDS, OR ANIMALS OF ANY KIND, AND DAMAGE DUE TO WEATHER CONDITIONS ARE ALSO NOT COVERED. IN ADDITION, THE LIMITED WARRANTY DOES NOT COVER DAMAGE TO THE FINISH, SUCH AS SCRATCHES, DENTS, DISCOLORATION, RUST OR OTHER WEATHER DAMAGE, AFTER PURCHASE.

ALL TRANSPORTATION COSTS FOR THE RETURN OF THE DAMAGED PRODUCT OR PARTS WILL BE THE RESPONSIBILITY OF THE PURCHASER. UPON RECEIPT OF DAMAGED ITEM, **PINNACLE PRODUCTS INTERNATIONAL, INC.** WILL EXAMINE THE ITEM AND DETERMINE IF DEFECTIVE.

PINNACLE PRODUCTS INTERNATIONAL, INC. WILL REPAIR OR REPLACE AND RETURN THE ITEM, FREIGHT PRE-PAID. IF **PINNACLE PRODUCTS INTERNATIONAL, INC.** FINDS THE ITEM TO BE IN NORMAL OPERATING CONDITION, OR NOT DEFECTIVE, THE ITEM WILL BE RETURNED FREIGHT COLLECT.

THIS LIMITED WARRANTY IS IN LIEU OF ALL OTHER EXPRESS WARRANTIES. **PINNACLE PRODUCTS INTERNATIONAL, INC.** DISCLAIMS ALL WARRANTIES FOR PRODUCTS THAT ARE PURCHASED FROM SELLERS OTHER THAN AUTHORIZED RETAILERS OR DISTRIBUTORS.

AFTER THE PERIOD OF THE ONE (1) YEAR LIMITED WARRANTY EXPIRES, **PINNACLE PRODUCTS INTERNATIONAL, INC.** DISCLAIMS ANY AND ALL IMPLIED WARRANTIES, INCLUDING WITHOUT LIMITATION THE IMPLIED WARRANTIES OF MERCHANTABILITY AND FITNESS FOR A PARTICULAR APPLICATION. FURTHER, **PINNACLE PRODUCTS INTERNATIONAL, INC.** SHALL HAVE NO LIABILITY WHATSOEVER TO PURCHASER OR ANY THIRD PARTY FOR ANY SPECIAL, INDIRECT, PUNITIVE, INCIDENTAL, OR CONSEQUENTIAL DAMAGES. **PINNACLE PRODUCTS INTERNATIONAL, INC.** ASSUMES NO RESPONSIBILITY FOR ANY DEFECTS CAUSED BY THIRD PARTIES. THIS LIMITED WARRANTY GIVES THE PURCHASER SPECIFIC LEGAL RIGHTS; A PURCHASER MAY HAVE OTHER RIGHTS DEPENDING UPON WHERE HE OR SHE LIVES. SOME STATES DO NOT ALLOW THE EXCLUSION OR LIMITATION OF SPECIAL, INCIDENTAL OR CONSEQUENTIAL DAMAGES, OR LIMITATIONS ON HOW LONG A WARRANTY LASTS, SO THE ABOVE EXCLUSION AND LIMITATIONS MAY NOT APPLY TO YOU.

PINNACLE PRODUCTS INTERNATIONAL, INC. DOES NOT AUTHORIZE ANY PERSON OR COMPANY TO ASSUME FOR IT ANY OTHER OBLIGATION OR LIABILITY IN CONNECTION WITH THE SALE, INSTALLATION, USE, REMOVAL, RETURN, OR REPLACEMENT OF ITS EQUIPMENT, AND NO SUCH REPRESENTATIONS ARE BINDING ON **PINNACLE PRODUCTS INTERNATIONAL, INC.**

ALWAYS BE SURE TO SPECIFY **MODEL NUMBER AND SERIAL NUMBER** WHEN MAKING ANY CLAIM WITH **PINNACLE PRODUCTS INTERNATIONAL, INC.** FOR YOUR CONVENIENCE USE THE SPACE PROVIDED BELOW TO LIST THIS INFORMATION:

Model #: _____ Serial #: _____

Date of Purchase: _____

Free Manuals Download Website

<http://myh66.com>

<http://usermanuals.us>

<http://www.somanuals.com>

<http://www.4manuals.cc>

<http://www.manual-lib.com>

<http://www.404manual.com>

<http://www.luxmanual.com>

<http://aubethermostatmanual.com>

Golf course search by state

<http://golfingnear.com>

Email search by domain

<http://emailbydomain.com>

Auto manuals search

<http://auto.somanuals.com>

TV manuals search

<http://tv.somanuals.com>