

UNIVERSAL  
MULTI-CD SYSTEM  
SYSTEME DE CD  
MULTIPLE UNIVERSEL

# 130FM673



## Operation Manual

# CDX-FM673

## Mode d'emploi

***Pioneer***

# Contents

## English

Dear Customer .....	4
Precautions .....	5
Using the Compact Discs Magazine .....	6~8
Inserting discs .....	6~7
Loading the magazine .....	8
Playing Compact Discs .....	9~15
Start the CD player .....	9
Disc Number Search .....	9
Using Track Search/Fast Forward and Reverse .....	10
Pausing .....	11
Repeat .....	11
Random Play .....	12
Setting Player to Play Discs via Radio .....	13~14
Display shows this message .....	15
Pressing the Clear Button .....	16
Discs .....	16
Transportation of multi-CD player .....	17
Specifications .....	18

# Table des matières

## Français

<b>Cher Client .....</b>	<b>19</b>
<b>Précautions .....</b>	<b>20</b>
<b>Utilisation du chargeur de disque compact .....</b>	<b>21~23</b>
<b>Mise en place des disques .....</b>	<b>21~22</b>
<b>Mise en place d'un chargeur .....</b>	<b>23</b>
<b>Lecture de disques compacts .....</b>	<b>24~30</b>
<b>Commandez la lecture du CD .....</b>	<b>24</b>
<b>Recherche de numéro de disque .....</b>	<b>24</b>
<b>Utilisation de la recherche de plage/ de l'avance rapide et de l'inversion .....</b>	<b>25</b>
<b>Pause .....</b>	<b>26</b>
<b>Répétition .....</b>	<b>26</b>
<b>Lecture aléatoire .....</b>	<b>27</b>
<b>Réglage du lecteur pour la lecture de disques via la radio .....</b>	<b>28~29</b>
<b>Affichage du message .....</b>	<b>30</b>
<b>En appuyant sur la touche d'effacement .....</b>	<b>31</b>
<b>Disques .....</b>	<b>31</b>
<b>Transport du lecteur de CD à chargeur .....</b>	<b>32</b>
<b>Spécifications .....</b>	<b>33</b>



## Dear Customer:

Selecting fine audio equipment such as the unit you've just purchased is only the start of your musical enjoyment. Now it's time to consider how you can maximize the fun and excitement your equipment offers. This manufacturer and the Electronic Industries Association's Consumer Electronics Group want you to get the most out of your equipment by playing it at a safe level. One that lets the sound come through loud and clear without annoying blaring or distortion—and, most importantly, without affecting your sensitive hearing.

Sound can be deceiving. Over time your hearing "comfort level" adapts to higher volumes of sound. So what sounds "normal" can actually be loud and harmful to your hearing. Guard against this by setting your equipment at a safe level BEFORE your hearing adapts.

### To establish a safe level:

- Start your volume control at a low setting.
- Slowly increase the sound until you can hear it comfortably and clearly, and without distortion.

### Once you have established a comfortable sound level:

- Set the dial and leave it there.

Taking a minute to do this now will help to prevent hearing damage or loss in the future. After all, we want you listening for a lifetime.

## We Want You Listening For A Lifetime

Used wisely, your new sound equipment will provide a lifetime of fun and enjoyment. Since hearing damage from loud noise is often undetectable until it is too late, this manufacturer and the Electronic Industries Association's Consumer Electronics Group recommend you avoid prolonged exposure to excessive noise. This list of sound levels is included for your protection.

### Decibel

#### Level Example

30	Quiet library, soft whispers
40	Living room, refrigerator, bedroom away from traffic
50	Light traffic, normal conversation, quiet office
60	Air conditioner at 20 feet, sewing machine
70	Vacuum cleaner, hair dryer, noisy restaurant
80	Average city traffic, garbage disposals, alarm clock at two feet.

### THE FOLLOWING NOISES CAN BE DANGEROUS UNDER CONSTANT EXPOSURE

90	Subway, motorcycle, truck traffic, lawn mower
100	Garbage truck, chain saw, pneumatic drill
120	Rock band concert in front of speakers, thunderclap
140	Gunshot blast, jet plane
180	Rocket launching pad

Information courtesy of the Deafness Research Foundation.



**CAUTION:**

USE OF CONTROL OR ADJUSTMENT OR PERFORMANCE OF PROCEDURES OTHER THAN THOSE SPECIFIED HEREIN MAY RESULT IN HAZARDOUS RADIATION EXPOSURE.

**CAUTION:**

THE USE OF OPTICAL INSTRUMENTS WITH THIS PRODUCT WILL INCREASE EYE HAZARD.

**NOTES:**

THIS DEVICE COMPLIES WITH PART 15 OF THE FCC RULES. OPERATION IS SUBJECT TO THE FOLLOWING CONDITIONS: (1)THIS DEVICE MAY NOT CAUSE HARMFUL INTERFERENCE, AND (2)THIS DEVICE MUST ACCEPT ANY INTERFERENCE RECEIVED, INCLUDING INTERFACE THAT MAY CAUSE UNDESIRE OPERATION.

CHANGES OR MODIFICATIONS TO THIS PRODUCT BY OTHER THAN AN AUTHORIZED SERVICE FACILITY COULD VOID AUTHORIZATION TO USE THIS EQUIPMENT.

SHOULD THE USE OF THIS PRODUCT CAUSE HARMFUL INTERFERENCE WITH ANY RADIO DEVICES, CONTACT YOUR DEALER.

THE USE OF THIS PRODUCT MAY CAUSE A NOTICEABLE LOSS IN **AM** SIGNAL RECEPTION. THIS IS NOT A MALFUNCTION BUT IS PART OF THE NORMAL OPERATION OF THIS MODEL.

- *When you use this universal multi-CD system, the effective sensitivity of your radio will be reduced slightly.*
- *When you turn the car radio off, the system stays on. If you leave it on for a long time, the car battery may go flat.*
- *When driving on an uneven road, the player may not reproduce every sound properly.*
- *When this universal multi-CD system is connected to a vehicle's diversity antenna, there may be distortion if a station is broadcasting a strong signal on the frequency you're using for the system. If this occurs, switch to another frequency.*
- *During winter the inside of the vehicle may be very cold. If the heater is turned on and the player is used soon after, the disc or optical parts (prism, lens, etc.) may become misted up, and the player will not operate correctly. If the disc is misted up, wipe it with a soft cloth. If the optical parts are misted up, wait for about an hour for them to warm up. They will return to their normal condition.*
- *This product conforms to the track skip function of the CD-R disc. The tracks containing the track skip information are skipped over automatically.*

**After-sales service for Pioneer products**

Please contact the dealer or distributor from where you purchased the product for its after-sales service (including warranty conditions) or any other information. In case the necessary information is not available, please contact the companies listed below:

Please do not ship your product to the companies at the addresses listed below for repair without advance contact.

**U.S.A.**

Pioneer Electronics Service, Inc.  
CUSTOMER SERVICE DEPARTMENT  
P.O. Box 1760  
Long Beach, CA 90801  
800-421-1404

**CANADA**

Pioneer Electronics of Canada, Inc.  
CUSTOMER SERVICE DEPARTMENT  
300 Allstate Parkway  
Markham, Ontario L3R 0P2  
(905) 479-4411  
1-877-283-5901

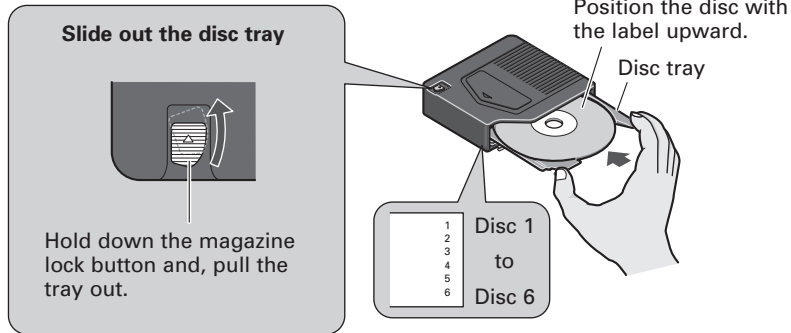
For warranty information please see the Limited Warranty sheet included with your product.

**Important**

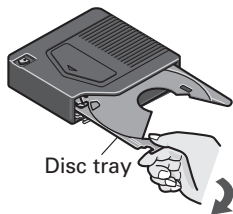
The serial number of this device is located on the rear of the unit. For your own security and convenience, be sure to record this number on the enclosed warranty card.

## Inserting discs

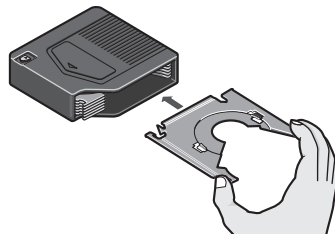
[Page 6~7]



## Changing disc trays



Gently pull the disc tray out.

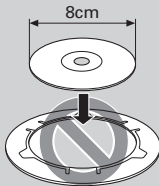


Align the disc tray with the left and right grooves, and push it in until you hear it click.

- Be sure to remove the disc before changing a disc tray.
- If the tray is not aligned with the right and left grooves, it cannot be pushed to the end. Do not bend or force the tray.
- Always load 6 trays in a magazine to prevent loss or warping of trays.
- If you load a disc with the label generally printed in black facing down, not only will the player not be able to recognize whether the disc is set or not, but also, the display unit will not display an error message to let you know about it. So make sure all the discs in each magazine have their label sides facing up.

### Notes on 8-cm (3-inch) CDs

Do not use an 8-cm CD adapter. If it is used, the player may fail. To load an 8-cm CD, you need a special 8-cm CD tray (Part No. CXB5931). Ask your Pioneer service station about it.



### Precautions when handling magazines

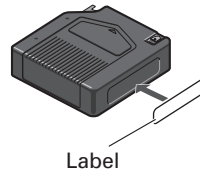
- Do not put the magazine in a place where it will be exposed to high temperatures or direct sunlight.
- Do not disassemble the magazine.
- Take care not to drop the magazine or knock it against anything.
- Do not use cracked or warped trays.
- Never insert anything other than discs. Do not attach a label or tape to a disc.
- The use of benzine, thinner, insecticide, or other volatile chemicals may damage the magazine surface.

### Extra magazines

If you need more magazines, please ask your nearest dealer for magazine JD-612V.

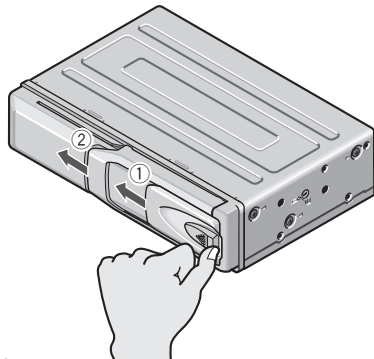
### Attaching the label

Attach the supplied label in the specified position. Attaching the label in an incorrect place or attaching more than one label will cause malfunction.

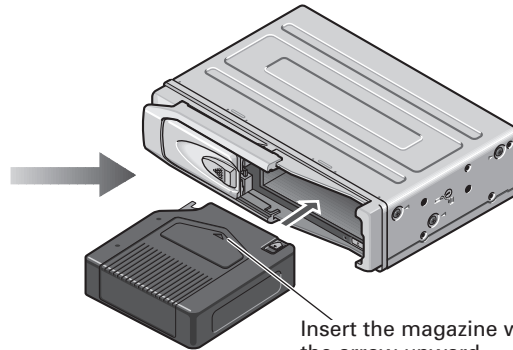


# Using the Compact Discs Magazine

## Loading the magazine



- ① Slide and open the door.
- ② Open it fully until it locks with a click.

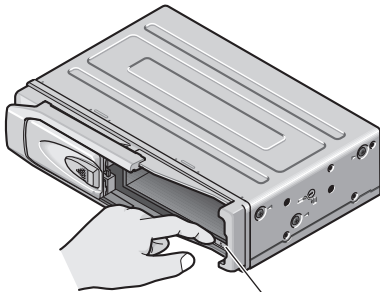


Insert the magazine.

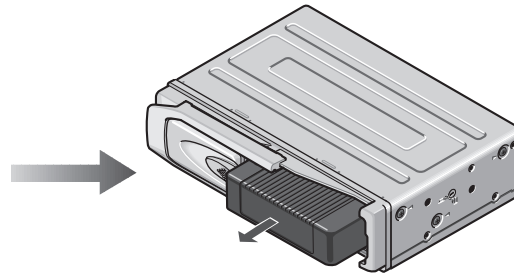
Insert the magazine with the arrow upward.

- Do not put your fingers in the magazine tray as this may lead to incorrect operation and damage to the player.
- If the label on the magazine is coming off or wrinkled up, it may damage the eject mechanism, and in some cases, the magazine may not be ejected. Therefore, remove a damaged label completely before use.
- Never leave the door open while playing discs. The entry of dirt, dust, or any other foreign matter into the player may cause it to fail.

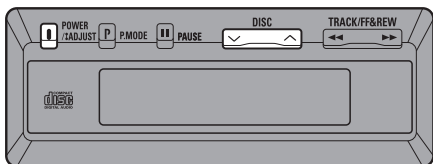
## To remove the magazine



Press the eject button.







## Start the CD player

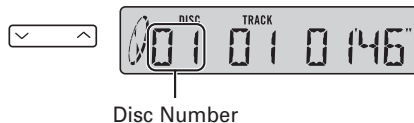
### 1. Switch the radio on and tune to Modulating Frequencies.

- The initial value is 89.1 MHz. (See Page 13 regarding switching CD player transmission frequency.)
- If your radio does not have muting, there may be some noise before power switch of control unit is ON. If this happens, turn down the volume of the radio.



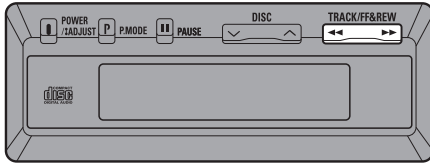
### 2. Press button to switch on and start the player.

## Disc Number Search

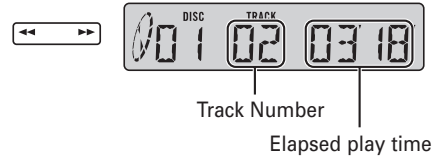


- ∧ : increase the number.
- ∨ : decrease the number.

# Playing Compact Discs



## Using Track Search/Fast Forward and Reverse

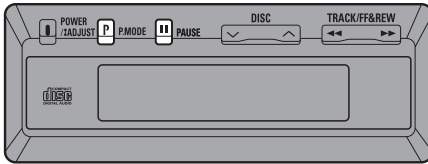


This product lets you select the track search function or fast forward/reverse function by changing the length of the time you press the button.

◀◀ : decrease the number.  
: Fast Reverse

▶▶ : increase the number.  
: Fast Forward

<b>Track search</b>	<b>0.5 seconds or less</b>
<b>Fast-forward/Reverse</b>	<b>Continue pressing</b>



## Pausing

**Press button to pause during disc playback.**

Press button again to release pause.



### MEMO

You can select a track using the track search during pause. ("PAUSE" is off while a track is being searched.) When the track search ends, the found track is paused at its beginning.

## Repeat

Track Repeat



Play the current track repeatedly.

Disc Repeat



Play the same disc repeatedly.



Normal play



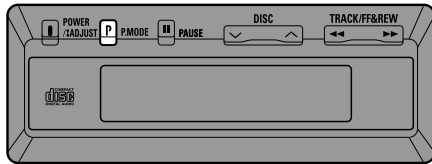
Play all disc loaded in the magazine in the CD player repeatedly.

**Each press of button, the mode changes.**

### MEMO

- Changing to a different song or using fast forward or reverse during track repeat will cause the mode to change to disc repeat.
- Changing discs during track repeat or disc repeat will cause the mode to change to normal play.

# Playing Compact Discs



## Random Play

Example : Disc Repeat (See Page 11.)

P



1. Select the desired repeat mode.

Displayed during random play.

P



Random play will be performed within the selected repeat mode.

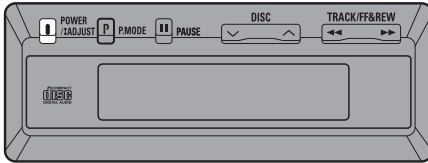
2. Hold down button for more than 2 second.

Once the current track has been played, the microprocessor will randomly select the next and subsequent tracks.

To cancel random play, hold down button for more than 2 seconds again.

### MEMO

If track repeat is selected as the repeat mode in step 1, it will automatically switch to disc repeat mode and random play will begin.



## Setting Player to Play Discs via Radio [Page 13~14]

### Modulating frequencies selector

This system can change the frequency at which the FM car radio receives the CD audio signals within the range of 87.9 to 90.1 MHz in 0.2-MHz increments. (The initial setting is 89.1 MHz.) If there is a strong broadcast station signal near the current frequency, radio interference may occur. If it occurs, change the frequency.

### Source level adjuster

When you play discs, if the volume is low compared with that for FM increase the volume level. If the volume is high and there is distortion, decrease the volume level. (The initial setting is "LEVEL-4".)

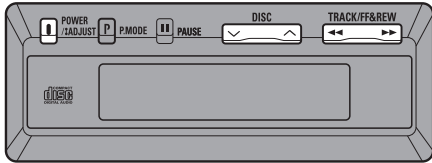




- 1. Hold down button for more than 2 seconds. The modulator setting mode will be entered, and the frequency will be displayed.**

### MEMO

If you do nothing within the next 8 seconds, the modulator setting mode returns to the normal mode without changing the most recent settings.

# Playing Compact Discs



Item	Button	Display
Frequency	▼ ▲	
Level	◀ ▶	

2. Set the items while referring to the chart on the left.

The last adjustment is kept as final.



3. Press the button for 2 seconds or more to return to normal play.

## Display shows this message

### Take action according to the chart below.

Check discs and magazine once more.

### If it still doesn't work after checking.

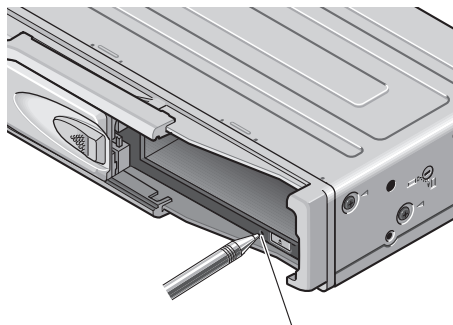
Press the CD player's Clear button. (See Page 16.)

### If it still doesn't work.

Read "After-sales service for Pioneer products" and request servicing.

Message	Cause	Treatment
No MAGAZINE (appears)	Removing the magazine from the CD player during CD play.	To use this system, load the magazine into the CD player and then turn on the power.
No MAGAZINE (flashes for 5 seconds)	Power was turned on while the magazine was not loaded in the CD player.	Turn on the power after loading the magazine into the CD player.
READY	The CD player is warming up.	Please wait a few moments.
Err 11, Err 12, Err 14, Err 17	Dirt or a scratch on the disc stops the laser beam from being able to focus.	Wipe off the dirt. Exchange the disc if it has been scratched. (See Page 16.)
Err 30	Dirt or a scratch on the disc hinders the track number search function.	
Err 11, Err 14	The disc has been inserted upside down.	Confirm that the disc has been inserted right side down. (See Page 6.)
Err 14	An unrecorded compact disc (CD-R), which can be recorded on once is being used.	When you use a CD-R, load one that has been recorded on.
Err 44	All tracks are setting track skip.	Replace the disc.
NO DISC	There is no disc in the magazine.	Load a disc into the magazine. (See Page 6.)
Err 10, Err 11, Err 12, Err 14, Err 17 Err 19, Err 30, Err 50, Err 60, Err 70 Err A0, Err A1	Electrical or mechanical system fault.	Turn the car ignition switch off and on again, or press power ON/OFF button on the display unit, and start the CD playing again.

# Pressing the Clear Button



Clear button

After connecting everything up, press the clear button with the tip of a pencil. If the power will not switch on, or if the CD player does not operate, when the button on the control unit is pressed, or if the control unit display is incorrect, press this button with the tip of a pencil to restore normal operation. (This button is located inside the door.)

## Discs

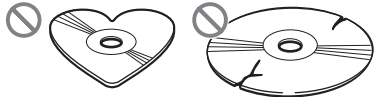
### Magazine



### Disc



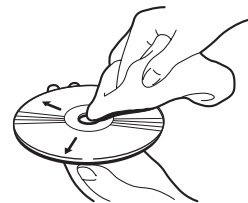
- With this unit, use discs and magazines bearing the above marks.



- This product is designed for use with conventional, fully circular CDs only. Use of shaped CDs are not recommended for this product.

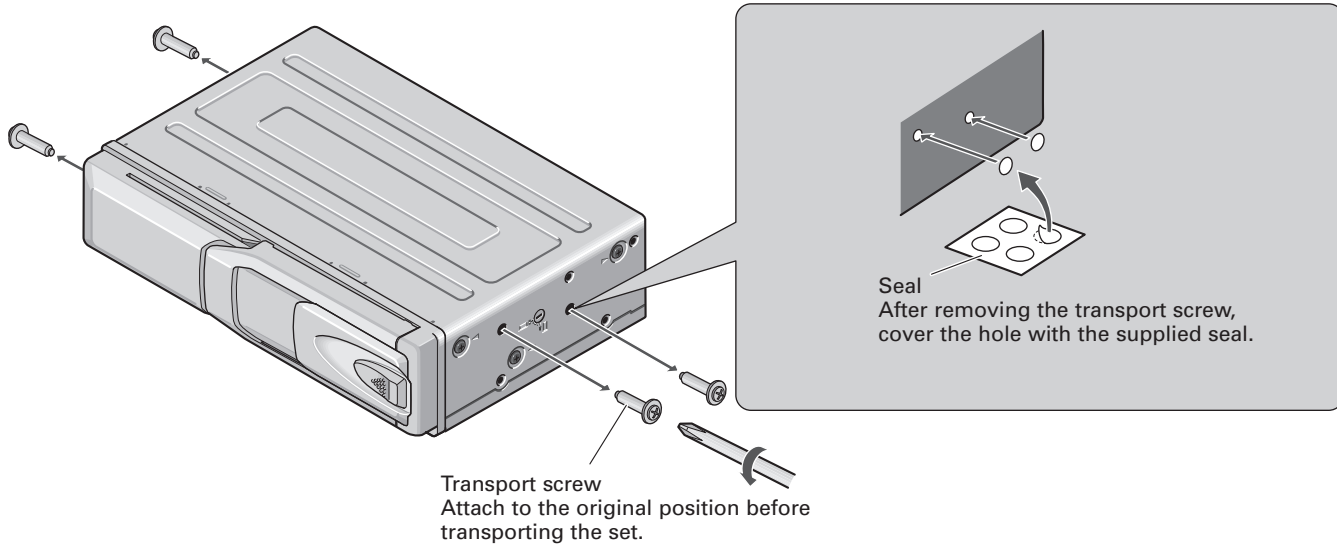
- Check all CDs before playing, and discard cracked, scratched or warped discs.
- Normal playback of CD-R discs other than those recorded with a music CD recorder may not be possible.
- Playback of music CD-R discs, even those recorded with a music CD recorder, may not be possible with this product due to disc characteristics or scratches or dirt on the disc. Dirt or condensation on the lens inside this product may also prevent playback.
- Read the precautions with the CD-R discs before using.
- Avoid touching the recorded (iridescent) surface when handling discs.

- Do not affix labels or apply chemicals to discs.



- Wipe dirty or damp discs outward from the center with a soft cloth.
- Keep discs out of direct sunlight and high temperatures.





A transport screw has been attached to the set in order to protect it during transportation. After removing the transport screw, cover the hole with the supplied seal.

Be sure to remove the transport screw before mounting the set. The removed transport screw should be retained in the accessory bag for use the next time the set is transported.

# Specifications

## CD Player unit

System ..... Compact disc audio system  
Usable discs ..... Compact Disc  
Signal format  
..... Sampling frequency: 44.1 kHz  
Number of quantization bits: 16; linear  
Power source  
..... 14.4 V DC (10.8 — 15.1 V allowable)  
Max. current consumption ..... 1.0 A  
Weight ..... 1.9 kg (4.2 lbs)  
Dimensions  
..... 248 (W) × 66 (H) × 168 (D) mm  
[9-3/4 (W) × 2-5/8 (H) × 6-5/8 (D) in]  
FM modulator usable frequency  
..... 87.9/88.1/88.3/88.5/88.7/88.9/89.1  
/89.3/89.5/89.7/89.9/90.1 MHz

## Antenna Switching unit

Weight ..... 140 g (0.3 lbs)  
Dimensions  
..... 45 (W) × 25 (H) × 43 (D) mm  
[1-3/4 (W) × 1 (H) × 1-5/8 (D) in]

## Display unit

Weight ..... 78 g (0.2 lbs)  
Dimensions  
..... 100 (W) × 37 (H) × 18 (D) mm  
[3-15/16 (W) × 1-7/16 (H) × 5/8 (D) in]

## Note:

Specifications and the design are subject to possible modification without prior notice due to improvements.

**PIONEER CORPORATION**

4-1, MEGURO 1-CHOME, MEGURO-KU, TOKYO 153-8654, JAPAN

**PIONEER ELECTRONICS (USA) INC.**

P.O. Box 1760, Long Beach, California 90801, U.S.A.

TEL: (800) 421-1404

**PIONEER EUROPE NV**

Haven 1087, Keetberglaan 1, B-9120 Melsele, Belgium

TEL: (0) 3/570.05.11

**PIONEER ELECTRONICS AUSTRALIA PTY. LTD.**

178-184 Boundary Road, Braeside, Victoria 3195, Australia

TEL: (03) 9586-6300

**PIONEER ELECTRONICS OF CANADA, INC.**

300 Allstate Parkway, Markham, Ontario L3R OP2, Canada

TEL: (905) 479-4411

**PIONEER ELECTRONICS DE MEXICO, S.A. de C.V.**

San Lorenzo 1009 3er. Piso Desp. 302

Col. Del Valle Mexico, D.F. C.P. 03100

TEL: 5-688-52-90

Published by Pioneer Corporation.

Copyright © 2000 by Pioneer Corporation.

All rights reserved.

Publication de Pioneer Corporation.

Copyright © 2000 Pioneer Corporation.

Tous droits de reproduction et de traduction réservés.

<KFJFF/00H00000>

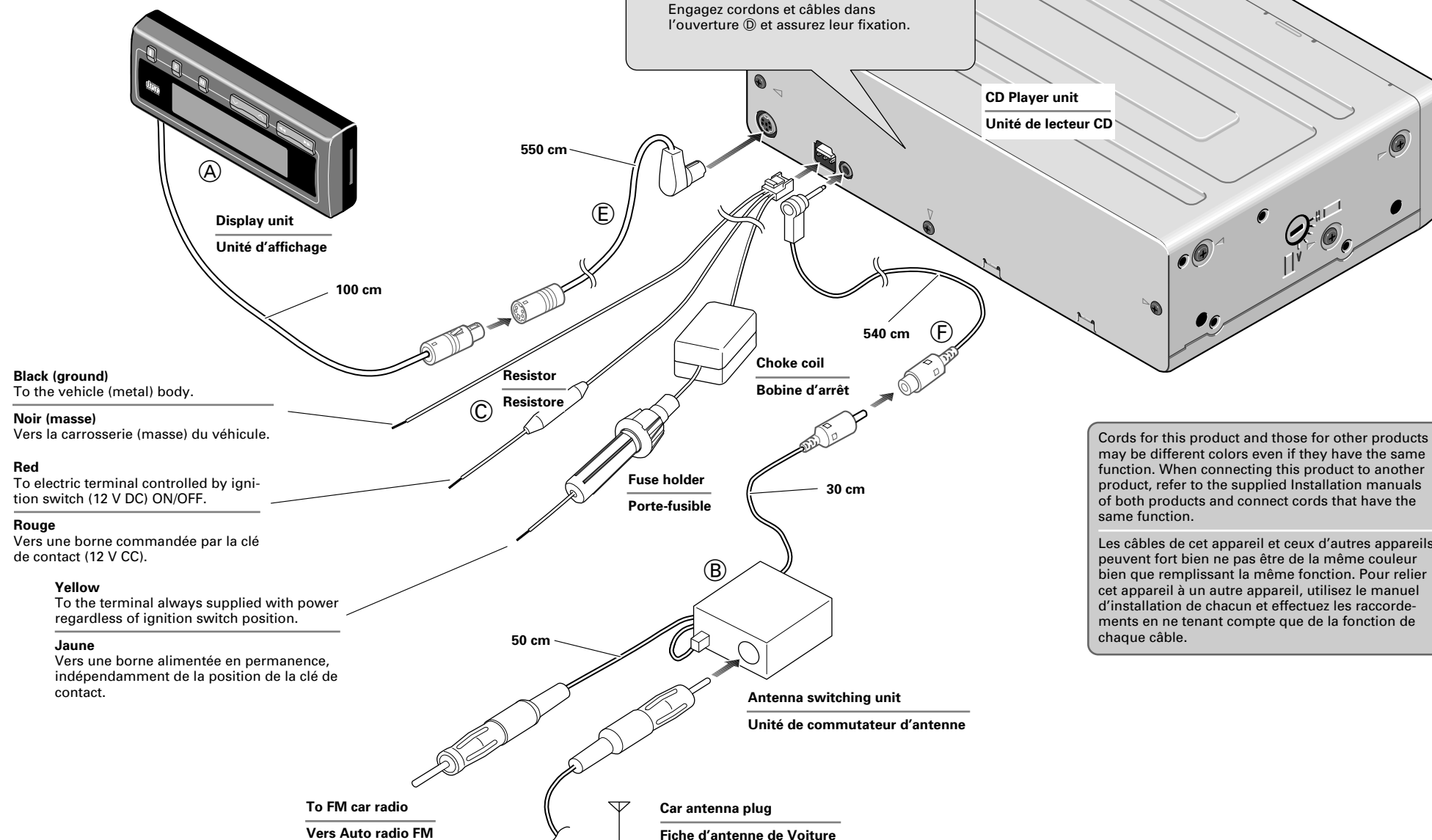
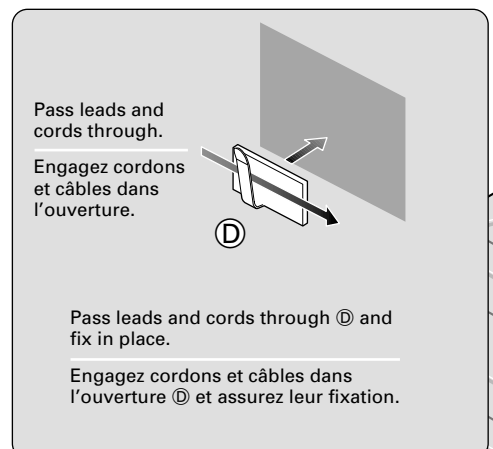
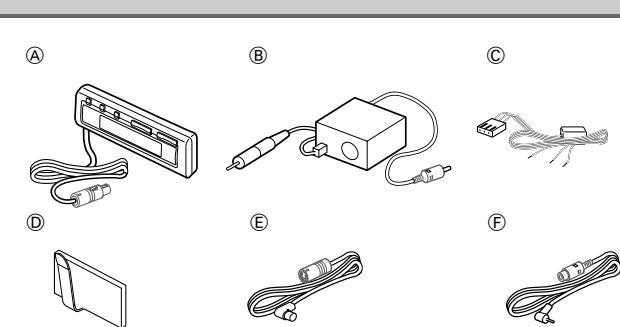
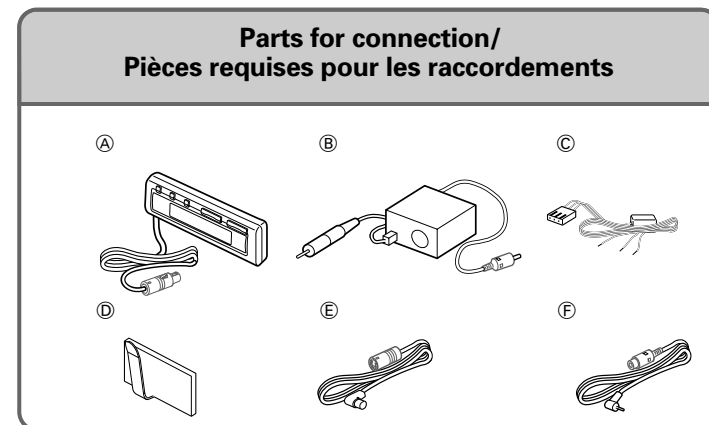
This product conforms to CEMA cord colors.  
Le code de couleur des câbles utilisé pour ce produit est conforme à CEMA.

Published by Pioneer Corporation.  
Copyright © 2000 by Pioneer Corporation.  
All rights reserved.

Publication de Pioneer Corporation.  
Copyright © 2000 Pioneer Corporation.  
Tous droits de reproduction et de traduction réservés.

Printed in Thailand  
Imprimé en Thaïlande

## Connecting the Units/Connexion des appareils



### English

- Before mounting, connect the units temporarily. Check that the units and the system are working correctly.
- After connection is complete, press the clear button on the CD player with the tip of a pencil.
- Be sure to connect the ground lead (black) to the vehicle body or some other metal part that is properly grounded to the chassis. If the ground lead is not properly connected, noise may occur or the system may not operate correctly.
- This unit is for vehicles with a 12-volt battery and negative grounding. Before installing it in a recreational vehicle, truck, or bus, check the battery voltage.
- To avoid shorts in the electrical system, be sure to disconnect the battery (-) cable before beginning installation.
- Check whether installation and wiring have been completed correctly. Replace the removed car components, then connect the end of the cable to the negative (-) terminal of the battery.
- Secure the wiring with cable clamps or adhesive tape. To protect the wiring, wrap adhesive tape around them where they lie against metal parts.
- Route and secure all wiring so it cannot touch any moving parts, such as the gear shift, handbrake, and seat rails. Do not route wiring in places that get hot, such as near the heater outlet. If the insulation of the wiring melts or gets torn, there is a danger of the wiring short-circuiting to the vehicle body.
- Do not pass the yellow lead through a hole into the engine compartment to connect to the battery. This will damage the lead insulation and cause a very dangerous short.
- Do not shorten any leads. If you do, the protection circuit may fail to work when it should.
- Never feed power to other equipment by cutting the insulation of the power supply lead of the unit and tapping into the lead. The current capacity of the lead will be exceeded, causing over heating.
- Replace fuses only with the types stipulated on the fuse holder.

Cords for this product and those for other products may be different colors even if they have the same function. When connecting this product to another product, refer to the supplied Installation manuals of both products and connect cords that have the same function.

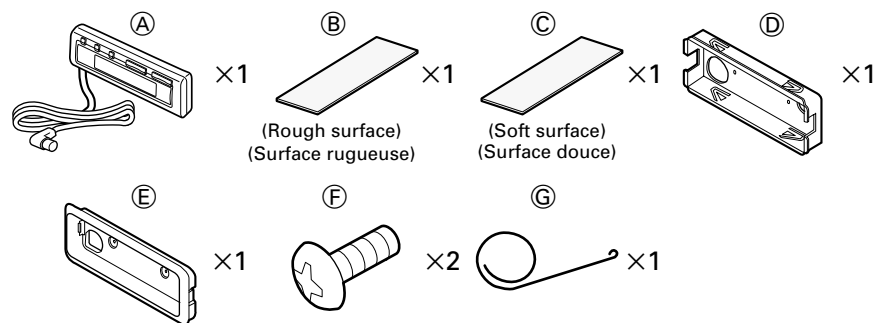
Les câbles de cet appareil et ceux d'autres appareils peuvent fort bien ne pas être de la même couleur bien que remplissant la même fonction. Pour relier cet appareil à un autre appareil, utilisez le manuel d'installation de chacun et effectuez les raccordements en ne tenant compte que de la fonction de chaque câble.

### Français

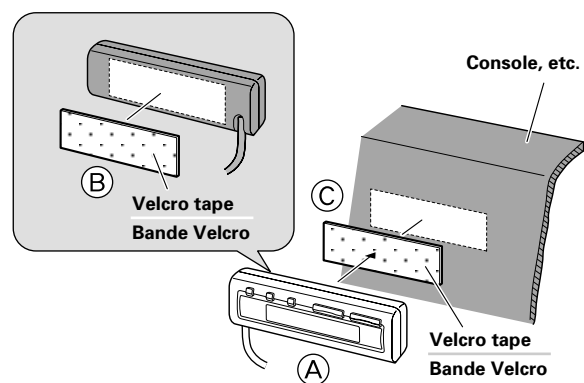
- Avant l'installation, retirer la goupille de transport et raccorder provisoirement les appareils. Vérifier que les appareils et la chaîne fonctionnent correctement.
- Lorsque le raccordement est effectué, appuyer sur le bouton d'annulation du lecteur CD avec la pointe d'un crayon.
- Veiller à bien raccorder le conducteur de masse (noir) à la carrosserie du véhicule ou à toute autre pièce métallique correctement mise à la masse sur le châssis. Si le conducteur de masse n'est pas raccordé correctement, il pourrait en résulter des parasites, ou la chaîne pourrait ne pas fonctionner correctement.
- Cet appareil est destiné aux véhicules avec une batterie de 12 V, négative à masse négative. Avant de l'installer dans un véhicule de loisir, un camion ou un car, vérifier la tension de la batterie.
- Afin d'éviter des court-circuits dans le système électrique, s'assurer de déconnecter le câble (-) de batterie avant de commencer l'installation.
- Vérifier si l'installation et le câblage ont été complétés correctement. Remplacer les composants de voiture retirés, puis connecter l'extrémité du câble à la borne négative (-) de la batterie.
- Fixer le câblage au moyen des attaches de câble ou une bande adhésive. Pour protéger le câblage, enrouler la bande adhésive autour des câbles à l'endroit où ceux-ci sont placés contre les parties métalliques.
- Acheminer et fixer tout le câblage de telle sorte qu'il ne touche pas les pièces mobiles, comme le levier de changement de vitesse, le frein à main et les rails des sièges. Ne pas acheminer les câbles dans des endroits qui peuvent devenir chauds, comme près de la sortie de radiateur. Si l'isolation des câbles fond ou se déchire, il existe un danger de court-circuit des câbles avec la carrosserie du véhicule.
- Ne faites pas passer le conducteur jaune dans le compartiment moteur par un trou pour le connecter avec la batterie. Ceci endommagerait l'isolation du conducteur et causerait un dangereux court-circuit.
- Ne pas court-circuiter les conducteurs. Sinon, le circuit de protection risque de ne pas fonctionner.
- Ne jamais alimenter un autre appareil en coupant l'isolation du conducteur d'alimentation de l'appareil et en la branchant dans le conducteur. L'intensité de courant du conducteur sera dépassée provoquant ainsi une surchauffe.
- Remplacer les fusibles seulement par des fusibles de type spécifié sur le porte-fusible.

# Installing the Display Unit/Installation de l'afficheur

## Parts for display unit mounting/ Pièces requises pour le montage de l'afficheur



## Fasten the display unit with Velcro tape/ Fixer l'afficheur à l'aide d'une bande Velcro



### English

- Thoroughly wipe off the surface before affixing the Velcro tape.
- Obviously, it is very dangerous if the cord gets tangled in the steering wheel, so install the cord so that it cannot get in the way.

### Français

- Essuyez soigneusement la surface avant d'attacher le morceau de bande Velcro.
- Il est naturellement dangereux si le cordon sera enchevêtré au volant de direction, et il faudra donc installer le cordon de telle façon qu'il ne soit pas pris.

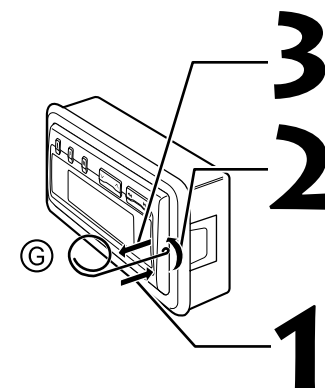
## Removing the Display Unit/ Enlever de l'afficheur

### English

Insert the ③ that comes with the unit as shown in the illustration. Turn it to the left and then pull it towards you.

### Français

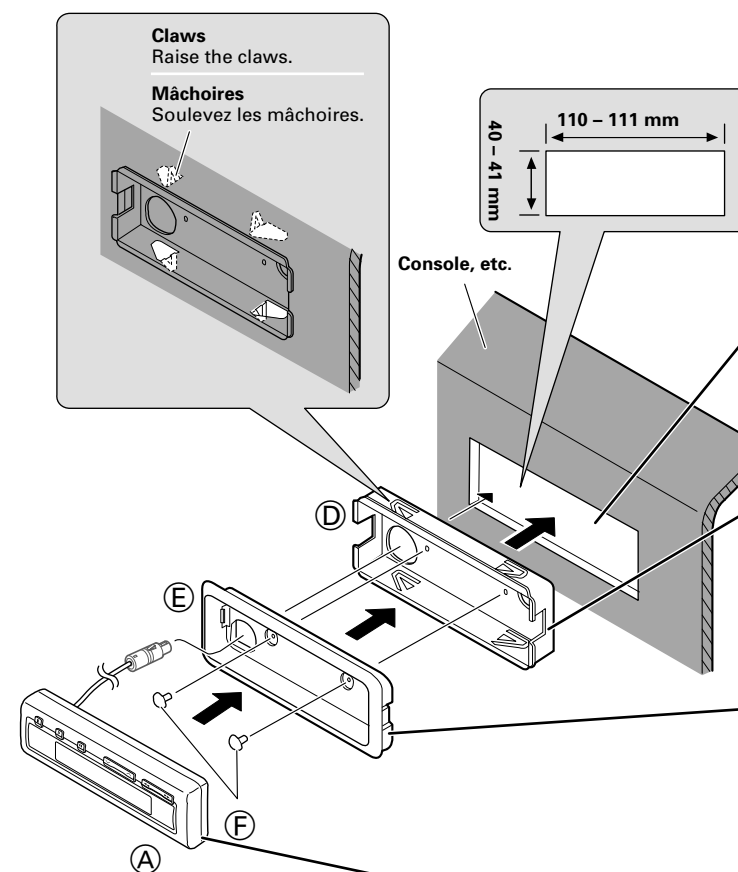
Insérer la pièce ③ fournie avec l'appareil comme montré sur l'illustration. La tourner vers la gauche puis la tirer vers soi.



## Installation using the flush mounting bracket/ Installation au moyen du support de montage affleurant

### English

### Français



**1**

- Start by opening installation holes in the console, etc.
- When opening holes in the console, etc., confirm that there is no object at the rear of the console, and be careful not to cut off the power supply cord.
  - A minimum depth of 20 mm is required for installation of the flush mounting bracket.

Tout d'abord, percer les trous d'installation dans la console, etc.

- Avant de percer les trous dans la console, s'assurer que l'on peut le faire sans danger et veiller à ne pas endommager les câbles d'alimentation électrique.
- La profondeur minimale requise pour le support de montage affleurant est de 20 mm.

**2**

Fit the ④ into the opening in the console, etc., raise the claws of the ④ with a flat-bladed screwdriver, and secure the bracket in place.

Engager la pièce ④ dans l'ouverture de la console, etc., soulever les griffes de la pièce ④ au moyen d'un tournevis plat et assurer de cette manière le maintien du support.

**3**

Fit the ⑤ into the ④ (the top and bottom of the holder are predetermined), then secure it with ⑥.

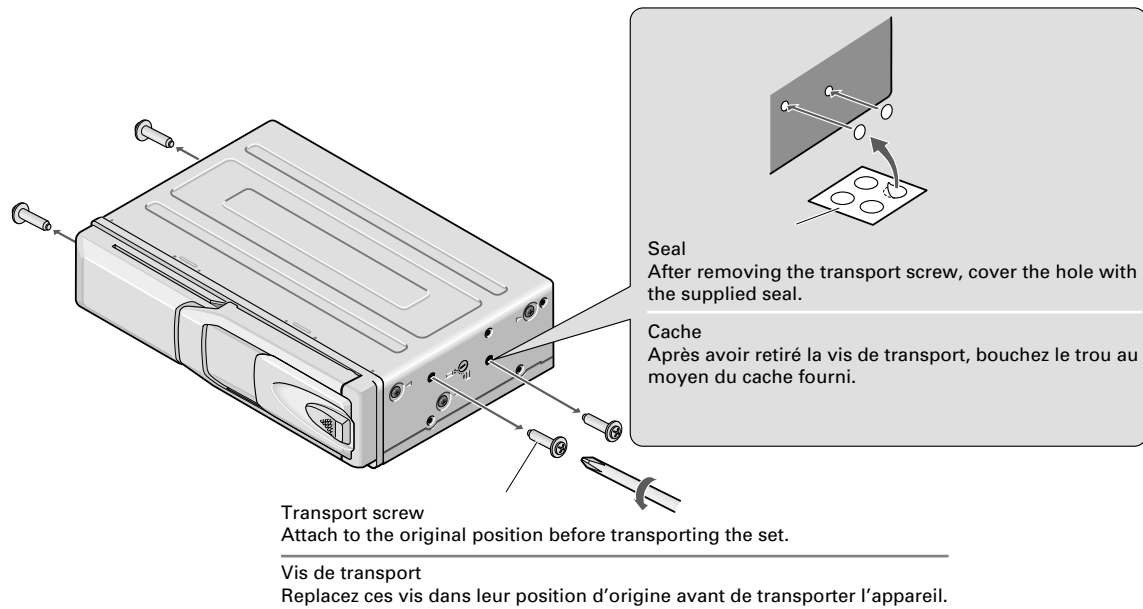
Engager la pièce ⑤ dans la pièce ④ (les parties supérieure et inférieure du support sont repérées) et assurer le maintien au moyen de ⑥.

**4**

Pass the display unit (①) cord through the hole in the holder, and fit the display unit into the holder.

Faire cheminer le cordon de l'afficheur (①) à travers le trou du support puis engager l'afficheur dans le support.

# Transportation of multi-CD Player/ Transport du lecteur de CD à chargeur



## English

## Français

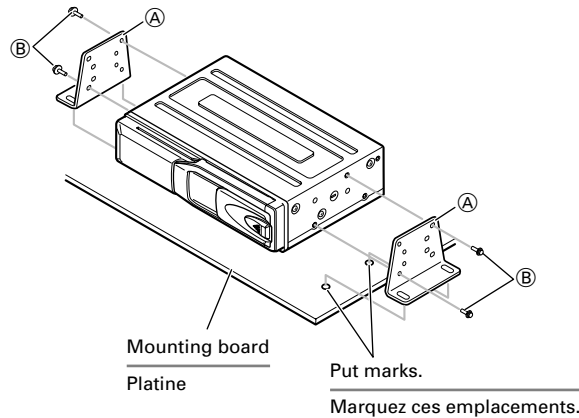
A transport screw has been attached to the set in order to protect it during transportation. After removing the transport screw, cover the hole with the supplied seal. Be sure to remove the transport screw before mounting the set. The removed transport screw should be retained in the accessory bag for use the next time the set is transported.

Des vis sont fixées sur le lecteur de façon à le protéger pendant le transport. Après avoir retiré la vis de transport, bouchez le trou au moyen du cache fourni. Veuillez à retirer ces vis avant d'installer le lecteur. Conservez les vis dans le sac contenant les accessoires de manière à ne pas les égarer et à être en mesure de les remettre en place en cas de transport.

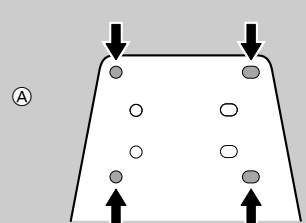
# Installing the CD Player Unit/Installation de la Unité lecteur CD

## Mounting the player on the mounting board with self-tapping screws/ Fixation du lecteur sur une platine à l'aide de vis autotaraudeuses

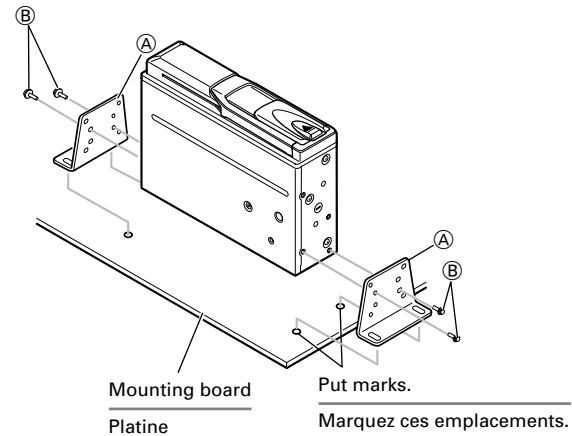
### 1 Horizontally/Horizontalement



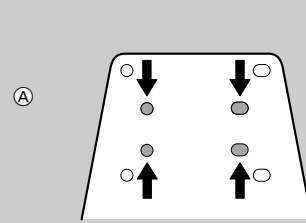
Use the holes indicated with arrows.  
Percez les trous indiqués par les flèches.



### Vertically/Verticalement



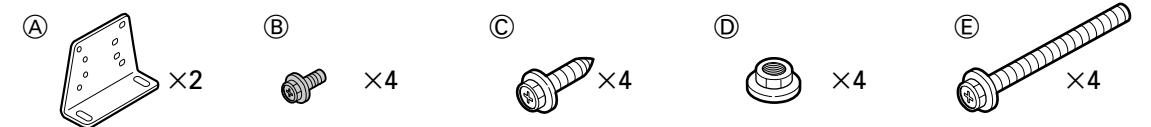
Use the holes indicated with arrows.  
Percez les trous indiqués par les flèches.



## Mounting parts/Pièces de fixation

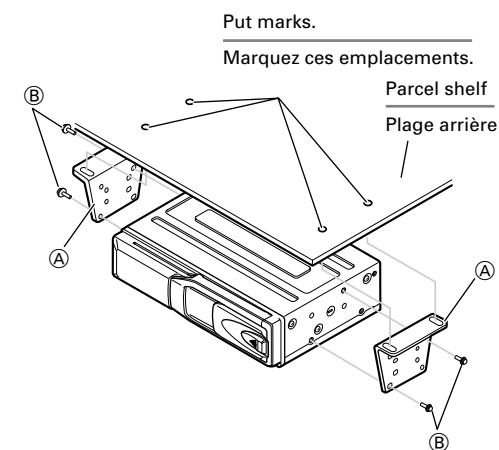
Refer to the following illustrations of mounting parts when mounting the player.

Les pièces servant à la fixation du lecteur sont illustrées ci-dessous.

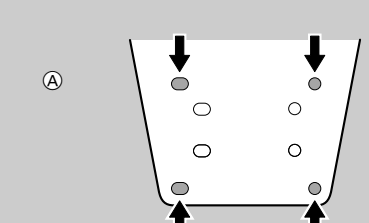


## Suspending the player from the parcel shelf with hex-screws/ Fixation du lecteur sous la plage arrière au moyen de vis à tête hexagonale

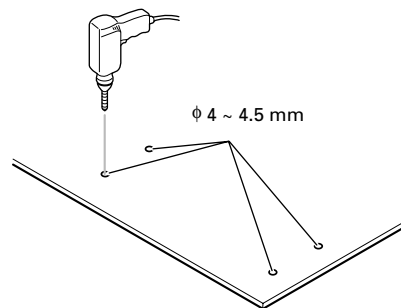
### 1



Use the holes indicated with arrows.  
Percez les trous indiqués par les flèches.



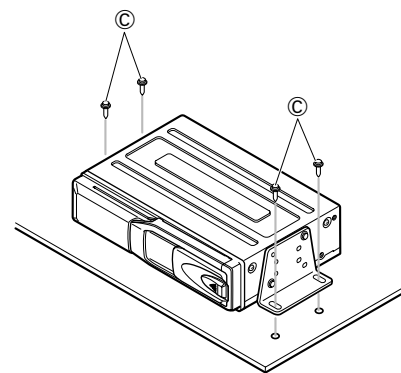
2



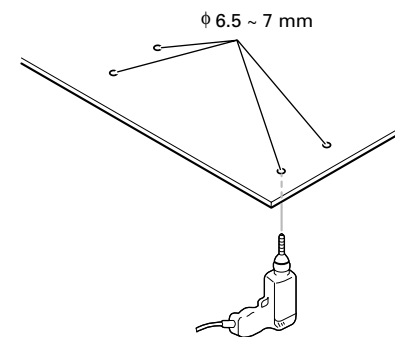
The following steps are the same for horizontal or vertical installation.

Les opérations suivantes sont les mêmes, que l'installation de l'appareil soit horizontale ou verticale.

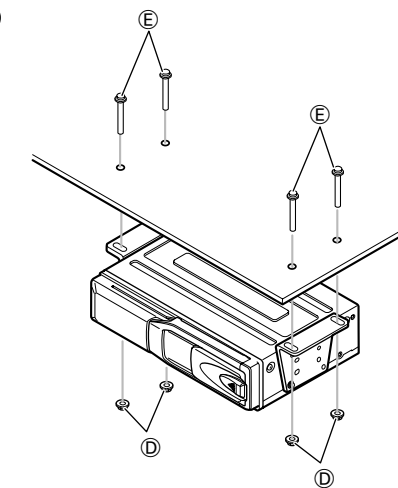
3



2

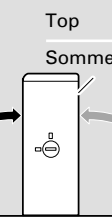


3

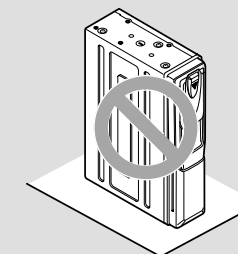


### Mounting angle/ Angle de montage

Use any angle in this range (up to 90 degrees).  
Tout angle compris entre 0 et 90 degrés convient.

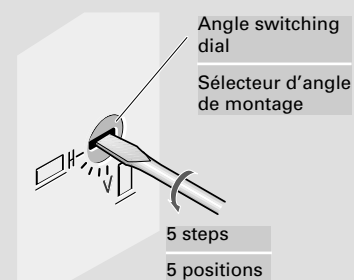
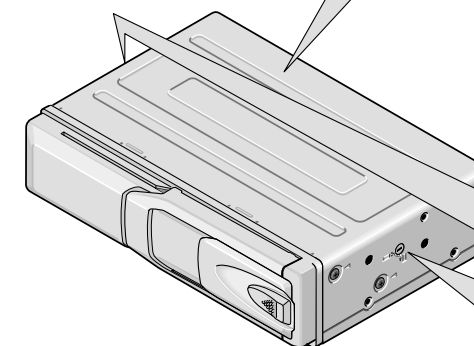


The player cannot be installed in this direction.  
Le lecteur ne peut pas être installé de cette manière.



The angle switching dial must be set on both sides of the player to the same position.

Les boutons de commutation d'angle placés de chaque côté du lecteur doivent occuper les mêmes positions.

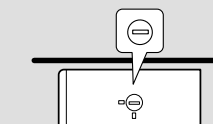
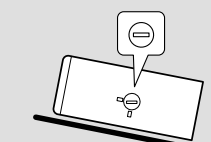
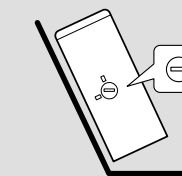


### Angle switching dial adjustment

Set the dial so that its slot is closest to the horizontal direction with respect to the ground surface.

### Positionnement du sélecteur d'angle de montage

Positionnez le sélecteur de manière que la fente soit horizontale.



### English

### Français

- Consult with your nearest dealer if installation requires the drilling of holes or other modifications of the vehicle.
- Before finally installing the unit, connect the wiring temporarily and make sure it is all connected up properly and the unit and the system work properly.
- Use only the parts included with the unit to ensure proper installation. The use of unauthorized parts can cause malfunctions.
- When mounting the player, make sure none of the leads are trapped between the player and the surrounding metalwork or fittings.

#### Location

- Install the unit where it does not get in the driver's way and cannot injure the passenger if there is a sudden stop, like an emergency stop.
- Be sure to mount the player on a rigid surface which is firm enough to hold the player in the proper position under all circumstances. Failure to do so may affect the optimum performance of the player.
- Before drilling a hole into the trunk, confirm that there is nothing behind the hole. Never drill a hole in the fuel tank or any other important part.
- Do not mount the player near the heater outlet, where it would be affected by heat, or near the doors, where rainwater might splash onto it.
- Do not mount the player on the spare tire board or any other unstable place.
- Mount the player in a place where it does not prevent the spare tire, jack, or tools from being easily removed.
- Do not mount the player anywhere that gets the sun and so becomes hot, like on the dashboard or the rear shelf.
- Mount the player on a flat surface.

#### Suspending the player from the parcel shelf with hex-screws

- Ideally, when the player is being mounted under the parcel shelf, two persons should work together. One person should hold the player, and the other should tighten the hex-nuts. If you do this job on your own, take great care not to drop or knock the player.
- When suspending the player under the parcel shelf, be sure that it is firmly installed on a solid surface. If the unit is not firmly installed, skipping will occur.

- Consultez le concessionnaire de votre véhicule si l'installation exige le perçage de trous ou toute autre modification du véhicule.

- Avant d'installer définitivement l'appareil, reliez provisoirement les câbles et assurez-vous que tout est correct et que l'ensemble fonctionne normalement.
- Pour réaliser une bonne installation, n'utilisez que les pièces fournies avec l'appareil. L'emploi de pièces non fournies peut provoquer une anomalie de fonctionnement.
- Installez l'appareil de manière qu'aucun câble ne soit écrasé entre le lecteur et les pièces métalliques voisines.

#### Emplacement

- Installez l'appareil de manière qu'il ne gêne pas le conducteur et qu'il ne puisse pas blesser un occupant du véhicule en cas de freinage brusque.
- Fixez l'appareil à une surface rigide suffisamment solide pour le maintenir en toutes circonstances, faute de quoi ses performances pourraient être altérées.
- Avant de percer une cloison, assurez-vous que vous n'endommagerez aucune pièce pouvant se trouver derrière cette cloison. Ne percez aucun trou dans le réservoir de carburant ou toute autre pièce importante.
- N'installez pas l'appareil près des ouïes du chauffage en raison de la chaleur dégagée, ni près des portières en raison de l'exposition aux intempéries.
- N'installez pas l'appareil sur la plaque cachant la roue de secours ni sur toute autre surface amovible.
- Installez l'appareil dans un endroit qui ne gêne pas le retrait de la roue de secours, du cric et des outils.
- N'installez pas l'appareil dans un endroit où il sera exposé à la lumière directe du soleil tel que la plage arrière ou le tableau de bord.
- Fixer le lecteur sur une surface plate.

#### Fixation du lecteur sous la plage arrière au moyen de vis à tête hexagonale

- Pour installer le lecteur sous la plage arrière, il est préférable de travailler à deux; une personne peut alors maintenir le lecteur tandis que l'autre pose les vis. Si vous devez procéder seul à cette installation, veillez à ce que le lecteur soit provisoirement maintenu en position de manière qu'il ne tombe pas dans le coffre pendant les opérations de fixation.
- Si vous installez le lecteur sous la plage arrière, veillez à ce qu'il soit solidement fixé, faute de quoi des erreurs de lecture peuvent se produire.



PIONEER ELECTRONICS (USA) INC. - PIONEER ELECTRONICS OF CANADA, INC.  
(PA) (POC)

### LIMITED WARRANTY

WARRANTY VALID ONLY IN COUNTRY OF PRODUCT PURCHASE

#### WARRANTY PERIOD

For the period specified below from date of original retail purchase (the warranty period) from an authorized Pioneer dealer, Pioneer Electronics (USA) Inc. (PA), and Pioneer Electronics Of Canada, Inc. (POC), warrant that products distributed by PA in the U.S.A., and by POC in Canada that fail to function properly under normal use due to a manufacturing defect when installed and operated according to the owner's manual enclosed with the unit will be repaired or replaced with a unit of comparable value, at the option of PA or POC, without charge to you for parts or actual repair work. Parts supplied under this warranty may be new or rebuilt at the option of PA or POC.

The warranty period for retail customers who rent the product commences upon the date product is first put into use (a) during the rental period or (b) retail sale, whichever occurs first.

The warranty does not cover any product which is used in any trade or business, or in an industrial or commercial application.

#### PRODUCT

WARRANTY PERIOD  
PARTS LABOR

Car Stereo Products .....ONE YEAR ONE YEAR

This warranty covers the product during the warranty period whether in the possession of the original owner or any subsequent owner. In the event service is required, the product must be delivered within the warranty period, transportation prepaid, from within the country of purchase as explained in this document. You will be responsible for removal and installation of the product. PA or POC, as appropriate, will pay for the cost of returning the repaired or replacement product to you within the country of purchase.

#### WHAT'S NOT COVERED

This warranty does not apply to any speaker that has been subjected to power in excess of its published power rating.

This warranty does not cover the cabinet or any appearance item, user attached antennas, any damage to recordings or recording tapes or discs, any damage to the product resulting from alterations, modifications not authorized in writing by PA or POC, accident, misuse or abuse, damage due to lightning or to power surges, subsequent damage from leaking, damaged or inoperative batteries or the use of batteries not conforming to those specified in the owner's manual.

This warranty does not cover the cost of parts or labor which would be otherwise provided without charge under this warranty, obtained from any source other than a PA or POC Authorized Service Company or other designated location. This warranty does not cover defects or damage caused by the use of unauthorized parts or labor, or from improper maintenance.

**ALTERED, DEFACED OR REMOVED SERIAL NUMBERS VOID THIS WARRANTY.**

#### YOUR RIGHTS

PA and POC exclude any obligation on their part for incidental or consequential damages related to the failure of products each distributes to function properly under the conditions set forth above.

**IN THE U.S.A.** - PA LIMITS ITS OBLIGATIONS UNDER ANY IMPLIED WARRANTIES INCLUDING, BUT NOT LIMITED TO, THE IMPLIED WARRANTIES OF MERCHANTABILITY AND FITNESS FOR A PARTICULAR PURPOSE TO A PERIOD NOT TO EXCEED THE WARRANTY PERIOD. NO WARRANTIES SHALL APPLY AFTER THE WARRANTY PERIOD. SOME STATES DO NOT ALLOW LIMITATIONS ON HOW LONG AN IMPLIED WARRANTY LASTS, AND SOME STATES DO NOT ALLOW THE EXCLUSION OR LIMITATION OF INCIDENTAL OR CONSEQUENTIAL DAMAGES, SO THE ABOVE LIMITATIONS OR EXCLUSIONS MAY NOT APPLY TO YOU. THIS WARRANTY GIVES YOU SPECIFIC LEGAL RIGHTS, AND YOU MAY HAVE OTHER RIGHTS WHICH MAY VARY FROM STATE TO STATE.

**IN CANADA** - EXCEPT AS EXPRESSLY PROVIDED HEREIN, THERE ARE NO REPRESENTATIONS, WARRANTIES, OBLIGATIONS OR CONDITIONS, IMPLIED, STATUTORY OR OTHERWISE, APPLICABLE TO THIS PRODUCT

#### TO OBTAIN SERVICE

##### CAR STEREO PRODUCTS (EXCEPT CAR SPEAKERS SOLD IN THE U.S.A. ONLY)

PA and POC have appointed a number of Authorized Service Companies throughout the U.S.A. and Canada should your product ever require service. To receive warranty service you will need to present your sales receipt or, if rented, your rental contract showing place and date of original owner's transaction.

Should it become necessary to ship the unit you will need to package the product carefully and send it, transportation prepaid by a traceable, pre-insured method, to an Authorized Service Company. Carefully package the product using adequate padding material to prevent damage in transit. The original container is ideal for this purpose. Include in the package your name, address, telephone number where you can be reached during business hours, a copy of your sales receipt and a detailed description of the problem.

#### TO OBTAIN SERVICE

##### CAR SPEAKERS SOLD IN THE U.S.A. ONLY

Should your car speaker require service, return defective car speaker to your retail dealer for exchange. To receive warranty service you will need to present your sales receipt showing place and date of original owner's retail purchase. If, for any reason, you cannot exchange the speakers at the selling dealer, call the Customer Service Department as given below.

#### - ADDITIONAL INFORMATION -

##### IN THE U.S.A.

For additional information on this warranty, please call or write:

CUSTOMER SERVICE DEPARTMENT  
PIONEER ELECTRONICS SERVICE, INC.  
P.O. BOX 1760  
LONG BEACH, CALIFORNIA 90801  
1-800-421-1404

**IN THE U.S.A. DO NOT RETURN ANY PRODUCT TO THE ABOVE ADDRESS. IT IS NOT A SERVICE LOCATION.**

##### INCANADA

Please contact a Pioneer authorized Dealer to find the nearest Pioneer authorized service location. For additional information on this warranty, please call or write:

CUSTOMER SERVICE DEPARTMENT  
PIONEER ELECTRONICS OF CANADA, INC.  
300 ALLSTATE PARKWAY  
MARKHAM, ON L3R 0P2  
(905) 479-4411

#### IN THE U.S.A.

RECORD THE PLACE AND DATE OF PURCHASE FOR FUTURE REFERENCE

**FOR PRODUCT INFORMATION, TO PURCHASE REPLACEMENT PARTS OR TO LOCATE AN AUTHORIZED SERVICE COMPANY CALL. 1-800-421-1404**

Model No. \_\_\_\_\_ Serial No. \_\_\_\_\_ Purchase Date \_\_\_\_\_

Purchased From \_\_\_\_\_

KEEP THIS INFORMATION AND YOUR SALES RECEIPT IN A SAFE PLACE



# PRODUCT REGISTRATION

Register ONLINE at [www.pioneerelectronics.com](http://www.pioneerelectronics.com)

**OFFICIAL RULES: NO PURCHASE NECESSARY TO WIN.** Sweepstakes is sponsored by a number of different companies. Will be offered in a number of different presentations, and will award the following prizes: one 1st Prize of \$50,000; one 2nd Prize of \$25,000; and five 3rd Prizes of \$5,000. Sweepstakes begins May 20, 1999, and ends December 31, 2001. Enter by completing this product registration on a 3" x 5" card with your name, address, city, state, ZIP Code, and the words "Pioneer" and "Give Away III" and mail to P.O. Box 174303, Dept. HMW, Denver, CO 80217-4303. Entries must be received no later than December 31, 2001, and are limited to one per household. Mechanically reproduced entries not acceptable. Not responsible for late, lost or illegible entries. A random drawing held in January 2002 will select the winners from all entries collectively received by the sponsoring companies. Odds of winning depend on the number of eligible entries received from all sponsors' presentations. Open to U.S. residents at least 18 years old, except employees and their families of the sweepstakes judge, all of the sponsoring companies, and their respective subsidiaries. Each winner must submit a signed and notarized affidavit of eligibility within a specified time after their prospective winner status, and if a satisfactory affidavit is not received within the stated time, a new winner will be selected. By submitting an entry, winner agrees to the use of their name, address, and photograph for advertising/publicity purposes without compensation. All entries become the property of the sweepstakes judge. No transfer or substitution of prize is allowed. Winner is solely responsible for all taxes. All federal, state and local laws apply. Offer void in Florida and where prohibited by law. For notice of sweepstakes winners, send a self-addressed, stamped envelope to: "\$100,000 Give Away III", P.O. Box 173133, Denver, CO 80217-3133.

**Register your purchase with us and automatically enter the \$100,000 Give Away III... for a chance to win \$5,000, \$25,000 or even \$50,000!!!**

# Pioneer

Please do not send products or other correspondence to this address.



First-Class Postage Required  
Post Office will not deliver without proper postage.

HMW01-01  
Cassette - 2

# Pioneer

PO BOX 174303  
DENVER CO 80217-4303



Please fold here.

**28. To help us understand our customers' lifestyles, please indicate the interests and activities in which you or your spouse enjoy participating on a regular basis.**

- |  |   |  |
|--|---|--|
| 01. <input type="checkbox"/> Bicycling                 | 21. <input type="checkbox"/> Automotive Work                | 41. <input type="checkbox"/> Our Nation's Heritage         |
| 02. <input type="checkbox"/> Golf                      | 22. <input type="checkbox"/> Electronics                    | 42. <input type="checkbox"/> Real Estate Investments       |
| 03. <input type="checkbox"/> Physical Fitness/Exercise | 23. <input type="checkbox"/> Home Workshop/Do-It-Yourself   | 43. <input type="checkbox"/> Stock/Bond Investments        |
| 04. <input type="checkbox"/> Running/Jogging           | 24. <input type="checkbox"/> Recreational Vehicles          | 44. <input type="checkbox"/> Mutual Funds                  |
| 05. <input type="checkbox"/> Snow Skiing               | 25. <input type="checkbox"/> Listen to Records/Tapes/CDs    | 45. <input type="checkbox"/> Entering Sweepstakes          |
| 06. <input type="checkbox"/> Tennis                    | 26. <input type="checkbox"/> Avid Book Reading              | 46. <input type="checkbox"/> Casino Gambling               |
| 07. <input type="checkbox"/> Camping/Hiking            | 27. <input type="checkbox"/> Bible/Devotional Reading       | 47. <input type="checkbox"/> Science Fiction               |
| 08. <input type="checkbox"/> Fishing                   | 28. <input type="checkbox"/> Health/Natural Foods           | 48. <input type="checkbox"/> Wildlife/Environmental Issues |
| 09. <input type="checkbox"/> Hunting/Shooting          | 29. <input type="checkbox"/> Photography                    | 49. <input type="checkbox"/> Dieting/Weight Control        |
| 10. <input type="checkbox"/> Power Boating             | 30. <input type="checkbox"/> Home Decorating/Furnishing     | 50. <input type="checkbox"/> Science/New Technology        |
| 11. <input type="checkbox"/> Horseback Riding          | 31. <input type="checkbox"/> Attending Cultural/Arts Events | 51. <input type="checkbox"/> Self-Improvement              |
| 12. <input type="checkbox"/> Sailing                   | 32. <input type="checkbox"/> Fashion Clothing               | 52. <input type="checkbox"/> Walking for Health            |
| 13. <input type="checkbox"/> House Plants              | 33. <input type="checkbox"/> Fine Art/Antiques              | 53. <input type="checkbox"/> Watching Sports on TV         |
| 14. <input type="checkbox"/> Grandchildren             | 34. <input type="checkbox"/> Foreign Travel                 | 54. <input type="checkbox"/> Community/Civic Activities    |
| 15. <input type="checkbox"/> Needlework/Knitting       | 35. <input type="checkbox"/> Cruise Ship Vacations          | 55. <input type="checkbox"/> Home Video Games              |
| 16. <input type="checkbox"/> Flower Gardening          | 36. <input type="checkbox"/> Travel in USA                  | 56. <input type="checkbox"/> Motorcycles                   |
| 17. <input type="checkbox"/> Vegetable Gardening       | 37. <input type="checkbox"/> Gourmet Cooking/Fine Foods     | 57. <input type="checkbox"/> Watch Cable TV                |
| 18. <input type="checkbox"/> Sewing                    | 38. <input type="checkbox"/> Wines                          | 58. <input type="checkbox"/> Home Video Recording          |
| 19. <input type="checkbox"/> Crafts                    | 39. <input type="checkbox"/> Coin/Stamp Collecting          | 59. <input type="checkbox"/> Moneymaking Opportunities     |
| 20. <input type="checkbox"/> Buy Prerecorded Videos    | 40. <input type="checkbox"/> Collectibles/Collections       | 60. <input type="checkbox"/> Current Affairs/Politics      |

**29. Using the numbers in the above list, please indicate your 3 most important activities:**

1 \_\_\_\_\_ 2 \_\_\_\_\_ 3 \_\_\_\_\_

Thanks for taking the time to fill out this questionnaire. Your answers will be used for market research studies and reports. They will also allow you to receive important mailings and special offers from a number of fine companies whose products and services relate directly to the specific interests, hobbies, and other information indicated above. Through this selective program, you will be able to obtain more information about activities in which you are involved and less about those in which you are not. Please check here if, for some reason, you would prefer *not* to participate in this opportunity.

Please check here if you do not want to receive mailings and offers using your E-mail address.

1. 1.  Mr. 2.  Mrs. 3.  Ms. 4.  Miss

HMW 01 - 01

First Name, Initial, Last Name, Street, Apt. No., City, State, ZIP Code, E-mail Address

2. Telephone Number: ( ) -

15. Do you own a Mini-Disc (MD) player? 1.  Yes 2.  No

3. Date of purchase: MM/DD/YYYY

16. Your date of birth: MM/YYYY

4. Price paid (excluding sales tax): \$ .00

17 Marital status: 1.  Married 2.  Single
18. Not including yourself, what is the GENDER and AGE (in years) of children and other adults living in your household?
1.  No one else in household 2.  Child under 1 year

5. Model #: KEH -
Serial #:

Male Female Age Male Female Age
1.  2.  yrs. 1.  2.  yrs.

6. Where did you purchase your Pioneer product?
1.  Received as a Gift 6.  Walmart
2.  Car Audio Specialty Store 7.  Best Buy
3.  Electronics Only Store 8.  Circuit City
4.  Mail Order 9.  Sears
5.  Electronic/Appliance Store

19. Occupation: (check all that apply) You Spouse
Professional/Technical .....  1. 
Upper Management/Executive .....  2. 
Middle Management .....  3. 
Sales/Marketing .....  4. 
Clerical/Service Worker .....  5. 
Tradesman/Machine Operator/Laborer ...  6.

7. In what vehicle will this Pioneer product be used?
(Make: e.g. Ford, Nissan; Model: e.g. Taurus SHO, Maxima SE)
Make:
Model:
Year: A.  Bought new B.  Bought used C.  Lease

20. Are you or your spouse: You Spouse
A Homemaker? .....  1. 
Retired? .....  2. 
A Student? .....  3. 
Self Employed/Business Owner? .....  4. 
Working from a Home Office? .....  5. 
In the Military? .....  6. 
A Federal Employee? .....  7.

8. Please rate the importance of the following features in your purchase decision:
Not Important Somewhat Important Very Important
A. Detachable Face ..... 1.  2.  3. 
B. Can Control a Multi-Disc CD changer.... 1.  2.  3. 
C. Dolby B ..... 1.  2.  3. 
D. Full Logic Cassette ..... 1.  2.  3. 
E. EEQ (Easy EQ) ..... 1.  2.  3. 
F. Mosfet 45X4 Power ..... 1.  2.  3. 
G. Cosmetics ..... 1.  2.  3. 
H. Flap Face Design ..... 1.  2.  3.

21. Which group describes your annual family income?
01.  Under \$15,000 08.  \$75,000-\$99,999
02.  \$15,000-\$19,999 09.  \$100,000-\$124,999
03.  \$20,000-\$29,999 10.  \$125,000-\$149,999
04.  \$30,000-\$39,999 11.  \$150,000-\$174,999
05.  \$40,000-\$49,999 12.  \$175,000-\$199,999
06.  \$50,000-\$59,999 13.  \$200,000-\$249,999
07.  \$60,000-\$74,999 14.  \$250,000 & over

9. What three factors MOST influenced your purchase decision? (check only three)
1.  Brand Name/Reputation 5.  Friend/Relative Recommendation
2.  Price/Value 6.  Warranty/Guarantee Recommendation
3.  Dealer/Salesperson Recommendation 7.  Magazine Test Report
4.  Store Demonstration 8.  Other: \_\_\_\_\_

22. Level of education: (check highest level completed)
1.  Completed High School 3.  Completed Graduate School
2.  Completed College

10. How did you first become aware of this Pioneer product?
01.  TV Ad 08.  Salesperson Recommendation
02.  Radio Ad 09.  Friend/Relative Recommendation
03.  Newspaper Ad 10.  Previous Experience with Pioneer
04.  Stereo Magazine Ad
05.  Stereo Magazine Article
06.  Pioneer Website
07.  Other Internet Source 11.  Other: \_\_\_\_\_

23. Which credit cards do you use regularly?
1.  American Express, Diners Club
2.  MasterCard, Visa, Discover
3.  Department Store, Oil Company, etc.
4.  Do not use credit cards

11. Which, if any, accessories do you plan to purchase within three to twelve months? (check all that apply)
1.  Single Play CD Head Unit 5.  Sub-woofer
2.  Multi-Disc CD Changer 6.  Amplifier
3.  Full Range Speakers 7.  Mobile Audio/Video
4.  Component Speaker Separates

24. For your primary residence, do you:
1.  Own? 2.  Rent?

12. What percentage of your time do you spend listening to:
(A) In Car (B) At Home
1. AM/FM? ..... % %
2. Cassettes? ..... % %
3. CDs? ..... % %

25. Which of the following do you plan to do within the next:
1-3 Mos. 4-6 Mos. 7-12 Mos.
Get Married? .....  1.  1. 
Have a Baby? .....  2.  2. 
Buy a House? .....  3.  3. 
Remodel a Home? .....  4.  4. 
Move to a New Residence? .....  5.  5. 
Buy a Personal Computer? .....  6.  6. 
Buy/Lease a New Vehicle? .....  7.  7. 
Buy/Lease a Used Vehicle? .....  8.  8.

13. Which of the following magazines do you subscribe to or read frequently?
01.  Super Street 13.  Sound & Vision
02.  Car & Driver 14.  Racer Magazine
03.  Car Stereo Review 15.  The Source
04.  Auto Sound & Security 16.  Maxim
05.  Car Sound 17.  Playboy
06.  Champ Car Magazine 18.  Gear
07.  Details 19.  Men's Health
08.  Sport Compact Car 20.  Spin
09.  Max Speed 21.  Rolling Stone
10.  Road & Track 22.  Blaze
11.  Automobile 23.  Vibe
12.  Autome dia 24.  Other: \_\_\_\_\_

26. Which type(s) of vehicles are you considering?
1.  Car 3.  Sport Utility 5.  Motorcycle
2.  Truck 4.  Minivan

14. Do you have a Multi-Disc CD Changer in your car?
1.  Yes 2.  No

27. Please check all that apply to your household.
01.  Shop by Catalog/Mail
02.  Member of Frequent Flyer Program
03.  Donate to Charitable Causes
04.  Wear Women's Large/Tall Sizes
05.  Wear Men's Large/Tall Sizes
06.  Own a Compact Disc Player
07.  Own a Camcorder
08.  Have a Dog
09.  Have a Cat
10.  Own a Cellular Phone
11.  Subscribe to an Online/Internet Service
12.  Own an IBM or Compatible Computer
13.  Own an Apple/Macintosh Computer
14.  Own a CD-ROM
15.  Speak Spanish at Home

## **Bag for keeping transportation screws**

The transportation screws removed during installation will need to be reinstalled if you transport the unit later, so keep the screws in this bag.

(DEALERS: Put the removed screws in this bag and give the bag to the customer.)

## **Etui pour conserver les vis pour le transport**

Les vis pour le transport déposées durant le montage devront être réinstallées si vous désirez transporter l'unité à une date ultérieure.

Nous vous recommandons par conséquent de conserver ces vis dans cet étui.

(A L'ATTENTION DES FOURNISSEURS: Placez les vis déposées dans cet étui et présentez celui-ci aux clients)

## Free Manuals Download Website

<http://myh66.com>

<http://usermanuals.us>

<http://www.somanuals.com>

<http://www.4manuals.cc>

<http://www.manual-lib.com>

<http://www.404manual.com>

<http://www.luxmanual.com>

<http://aubethermostatmanual.com>

Golf course search by state

<http://golfingnear.com>

Email search by domain

<http://emailbydomain.com>

Auto manuals search

<http://auto.somanuals.com>

TV manuals search

<http://tv.somanuals.com>