

# Setting up your DVD/CD Receiver

**Caution** When connecting this system or changing connections, be sure to switch the power off with the **STANDBY/ON** button, and disconnect the power cord from the AC outlet. Do not use these speakers with any other system or amplifier as this may result in damage or fire.

**1 Check that you have all the accessories, then put the batteries in the remote control.**

**Batteries and remote control**

- 1
- 2
- 3

**2 Connect the AM and FM antennas to the rear panel of the DVD/CD receiver.**

- 1 Pull off the protective shields of both AM antenna wires.
- 2 Push open the tabs, then insert one wire fully into each terminal.
- 3 Release the tabs to secure the AM antenna wires.
- 4 Fix the AM loop antenna to the attached stand. To fix the stand to the antenna, bend in the direction indicated by the arrow (fig. A) then clip the loop onto the stand (fig. B).
- 5 Place the AM antenna on a flat surface and point in the direction giving the best reception. Don't let it come into contact with metal objects and avoid placing near computers, television sets or other electrical appliances.
- 6 Connect the FM wire antenna to the FM UNBAL 75Ω antenna terminal. For best results, extend the FM antenna fully and fix to a wall or door frame. Don't drape loosely or leave coiled up.

**Note:** The signal earth (+) is designed to reduce noise that occurs when an antenna is connected. It is not an electrical safety earth.

**Using the remote control**  
The remote control can be used within a range of about 7 meters from the remote sensor on the front panel, and within a 30 degree angle.

**Precautions:**

- The remote control may not work if there is an obstacle between the remote control and the display unit, or if the remote control is not directed towards the remote sensor of the display unit at the correct angle.
- The remote control may not work properly if strong light such as direct sunlight or fluorescent light is shining onto the unit's remote sensor.
- The remote control may not work properly when this unit is used near devices emitting infrared rays, or when remote controls of other devices which use infrared rays are used. Also, the use of this remote control may cause other devices to work improperly.
- When the operating range of the remote becomes too short, replace the batteries.

**Remote control battery caution**  
Incorrect use of batteries may cause leakage or rupture.

Always be sure to follow these guidelines:

- Always insert the battery compartment correctly matching the positive (+) and negative (-) polarities, as shown by the display inside the compartment.
- Never mix new and used batteries.
- Batteries of the same size may have different voltages, depending on brand. Do not mix different brands of batteries.
- When disposing of used batteries, please comply with governmental regulations or environmental public instruction's rules that apply in your country or area.
- In order to prevent battery leakage, remove the batteries when not using the remote control for an extended period (one month or more). If leakage occurs, carefully wipe away any battery fluid inside the compartment, and replace the batteries with new ones.
- Do not allow books or other objects to rest on top of the remote control, since the buttons may be depressed, causing faster exhaustion of the batteries.

**Additional notes on connecting antennas**

- Keep antenna cables away from the main unit and other cables.
- To assure optimum reception, pull the FM antenna so that it is fully extended and not coiled or hanging at the rear of the unit.
- If reception with the supplied antenna is poor, see the *Other connections* section in the main operating instructions for details on connecting outdoor antennas.

**Additional notes on speaker placement**  
If your listening room is of adequate size, place the speakers as shown in step 3 to achieve the optimum surround sound effect. If you are listening in a fairly small room and a typical surround speaker setup is not possible, see *Home theater sound setup* in the instruction manual and the *Speaker Setup guide* for information on the Front surround 3-spot setup option.

When using the standard surround speaker setup as shown in step 3, please observe the following guidelines:

- Install the main front left and right speakers at an equal distance from the TV.
- For optimum effect, install the rear speakers slightly above ear level.
- Install the center speaker above or below the TV so that the sound of the center channel is localized at the rear of the screen.

**Precautions:**

- When installing the center speaker on top of the TV, be sure to secure it with tape or some other suitable means. Otherwise, the speaker may fall from the TV due to external shocks such as earthquakes, endangering those nearby or damaging the speaker.
- Do not connect the supplied speakers with any other amplifier. This may result in malfunction or fire.
- The front, center and surround speakers supplied with this system are magnetically shielded. However, depending on the installation location, color distortion may occur if the speaker is installed extremely close to the screen of a television set. If this happens, turn the power switch of the television set OFF, and turn it ON after 15 to 30 minutes. If the problem persists, place the speaker system away from the television set.
- The subwoofer is not magnetically shielded and so should not be placed near a TV or monitor. Since it is not magnetically shielded, do not place any magnetic storage media (such as floppy disks and tape or video cassettes) close to the subwoofer.
- Do not fix the front, center speakers and subwoofer to the wall or ceiling; they could cause injury if they fell.

**3 Connect each speaker using the color-coded speaker cords. Match them to the colored speaker terminals on the rear panel of the DVD/CD receiver.**

**Connect each speaker as shown below.**

- 1 Twist and pull off the protective shields on each wire.
- 2 Connect the wires to the speaker. Match the colored wire with the color-coded label (above the tabs), then insert the colored wire into the red (+) tab and the other wire with the black (-) tab.
- 3 Connect the other end to the color-coded speaker terminals on the rear of the DVD/CD receiver (as shown at left). Make sure to insert completely. The small lug at the wire-end of the speaker plug should face up or down depending on whether it's being plugged into one of the upper or lower three speaker terminals. Please make sure to connect correctly.

**Caution**  
These speaker terminals can be hazardous when live. When you connect or disconnect the speaker cables, to prevent the risk of electric shock, do not touch uninsulated parts before disconnecting the power cord.

**4 Connect the DVD/CD receiver to your TV, then connect the supplied power cord.**

- 1 Connect one end to a video input on your TV. Use the supplied video cord.
- 2 Connect the other end to the video output of the DVD/CD receiver. This player is equipped with copy protection technology. Do not connect this player to your TV via a VCR using AV cables, as the picture from this player will not appear properly on your TV.
- 3 Connect the power cord to the AC inlet.

**Caution**  
This player is equipped with copy protection technology. Do not connect this player to your TV via a VCR using AV cables, as the picture from this player will not appear properly on your TV.

Congratulations! You're done setting up.

## Speaker Setup Guide

### What's in the box

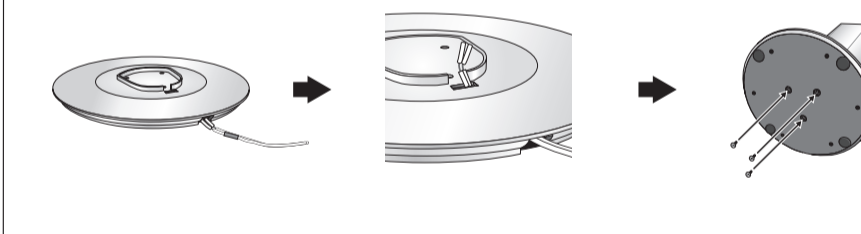
- Front speakers x 2
  - Center speaker x 1
  - Surround speakers x 2
  - Subwoofer x 1
  - Speaker cords: Red/White (Front speakers) 4 m x 2, Green (Center speaker) 4 m x 1, Blue/Grey (Surround speakers) 10m x 2, Purple (Subwoofer) 4 m x 1
  - Non-skid pads (small) x 4
  - Non-skid pads (large) Taiwan model x 4, All other models x 6
  - Front speaker stand bases x 2
  - Screws (for bases) x 6
  - Brackets x 2
  - Screws (for brackets) x 4
  - Mounting brackets x 2 \* (for mounting brackets) x 2 \*
  - Screws (for mounting brackets) x 2 \*
- \* Please refer to *Wall-mounting the front and surround speaker system* in the operating instructions for installation.

### Safety precautions when setting

When assembling the speakers, lay them down flat on their side to avoid accidents or injury. Make sure to use a stable surface when assembling, setting up, and placing the speakers.

### Assembling the speaker stands and securing your front speakers

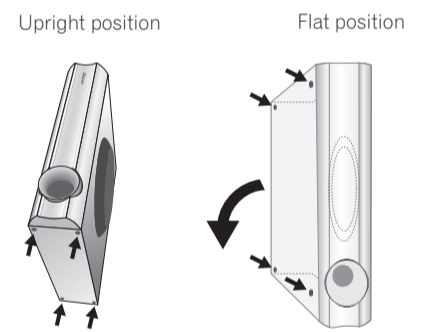
**Attach the speaker stand bases to the stems using the screws provided.**  
Before securing the base to the stand, thread the speaker wire through the holes provided on the base as shown below. Then, once you have aligned the stem and base, secure with the small screws at the points shown at right.



### Placing the Subwoofer (Taiwan model only)

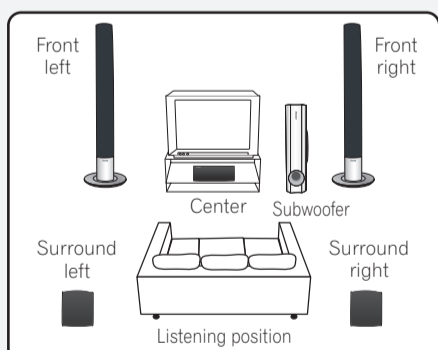
#### Choose your subwoofer placement

The subwoofer supplied with this system can be placed upright or on its side (flat). Choose the position that works best for your room, then attach the large non-skid pads as shown at right.



### Standard surround 5-spot setup

This is a standard multichannel surround sound speaker setup for optimal 5.1 channel home theatre sound.

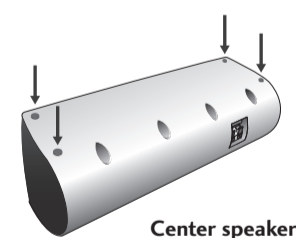


\* Illustration shows the Taiwan model

#### Caution

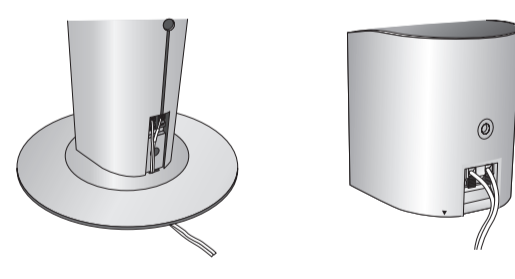
Please don't use the any attachments with the front speakers other than the brackets provided.

**1 Attach the smaller non-skid pads to the base of the center speaker.**  
Use the supplied adhesive to attach 4 pads to the base of center speaker.



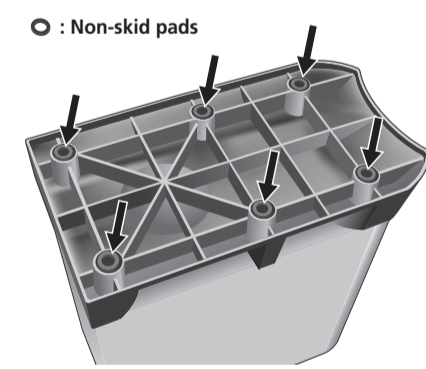
#### 2 Connect the speaker system.

Refer to the *Setting up your DVD/CD Receiver* (the other part of this setup guide) to connect the speakers properly. Place them as shown in the diagram at far left optimal surround sound.



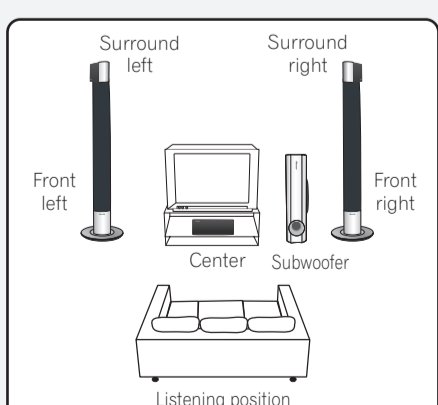
### Attach the non-skid pads to the Subwoofer (Singapore/Indonesia/Hong Kong/Philippines/Malaysia models)

**Attach the large non-skid pads to the base of the subwoofer.**  
Use the supplied adhesive to attach 6 pads to the base of subwoofer.



### Front surround 3-spot setup

This setup is ideal when rear surround speaker placement isn't possible or you want to avoid running long speaker cables in your listening area.

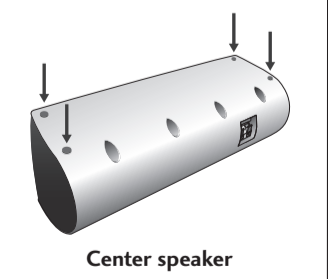


\* Illustration shows the Taiwan model

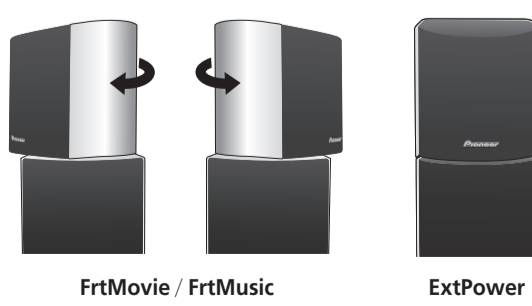
#### Caution

Please don't use the any attachments with the front speakers other than the brackets provided.

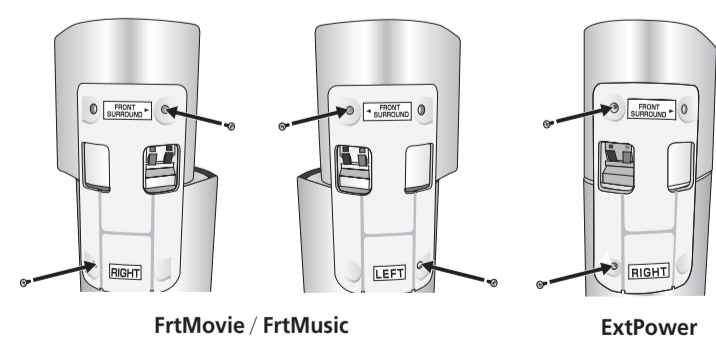
**1 Attach the smaller non-skid pads to the base of the center speaker.**  
Use the supplied adhesive to attach 4 pads to the base of center speaker.



**2 Place the surround speakers on top of the front speakers, turn the surround speakers towards the closest wall, lining the arrows up for optimal Front Surround.**  
Turn each surround speaker so that the **▼** arrow at the base is lined up with the **▲ FRONT SURROUND** arrow on the front speaker. This is only necessary with the **FrtMovie** or **FrtMusic** modes. With **ExtPower** (Extra Power), the surround speakers should be in the same direction as the front speakers (as shown below). See the operating instructions for more on the Front Surround modes.

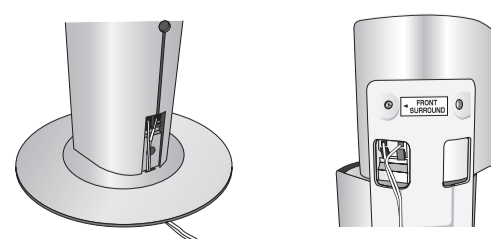


**3 Secure in position with the brackets provided.**  
Line up the holes in the bracket with the holes in the speakers, then secure with two screws at the points shown below. Make sure you've matched the right and left brackets with the speakers (as shown).

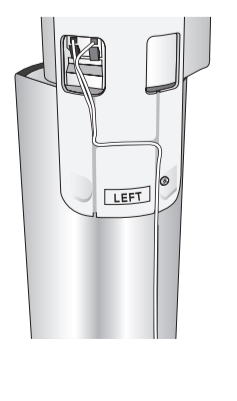


**4 Connect the speaker system.**

Refer to the *Setting up your DVD/CD Receiver* (the other part of this setup guide) to connect the speakers properly.



**5 Secure the speaker wire.**  
When you're finished, thread the surround speaker cords through the outlet on the back of the speaker stand and through the base of the brackets as shown below.





# 設定您的DVD/CD接收機

**注意** 連接本系統或變更接線方式時，請確實利用STANDBY/ON按鍵先將電源關閉，並將電源線自AC電源插座上脫離。切勿將這些揚聲器搭配其他的系統或擴大機使用，此種作法可能會導致損壞或引起火災。

### 1 檢查所有配件並無短缺，接著再將電池裝入遙控器內。

**電池及遙控器**

電源線\*  
\*圖示以台灣機種為例

視頻線

FM天線

AM環型天線

麥克風 (Auto MCACC設置專用)

1 2 3

### 2 將AM及FM天線裝設至DVD/CD接收機的背面板。

- 1 扯下AM天線兩條導線上的保護外皮。
- 2 將凸耳推開，接著將每條導線完全的插入每個端子內。
- 3 將凸耳放開以固定AM天線導線。
- 4 將AM環型天線固定在安裝底座上。  
欲將底座固定在天線上，則請對著箭頭所指的方向折彎(圖A)，接著將環圈夾緊於牆壁上(圖B)。

附註：若您打算將AM天線裝於牆上或其他的表面上，則請將環圈夾緊於牆壁上(圖B)。完成安裝後請確定收聽情形清晰良好。

圖A 圖B 圖C

- 5 將AM天線置於平坦的表面上，並對準收聽狀況最佳的方向。切勿讓天線觸及金屬物體，同時應遠離電腦、電視機或其他電氣設備的範圍擺設。
- 6 將FM線型天線裝設到FM UNBAL 75Ω天線端子上。為得到最佳的收聽效果，請將FM天線完全展開固定於牆上或門框上。切勿放鬆垂下或捲成圈狀。

附註：信號接地線(⏏)在設計上，主要是減少天線在裝設後所產生的雜訊。此線不作電氣安全地線用途。

### 3 應用遙控器

遙控器所使用的範圍是與前面板上的感應器相差7公尺的距離，角度則在30度以內。

**安全注意事項：**

- 當遙控器與顯示裝置之間存在障礙物，或遙控器並非以正確的角度，直接對準顯示裝置上的遙控感應器，遙控器便無法操作。
- 當有日光或強光等強光對準本機上的遙控感應器直接照射，遙控器便無法操作。
- 當本機在有發射紅外線裝置附近使用，或有其他裝置的遙控器以紅外線在操作，遙控器便會無法正常操作。同樣，本遙控器在使用時亦會造成其他設備無法正常運作。
- 當發現遙控器的操作範圍縮小，請立即更換電池。

### 遙控器電池使用注意事項

電池不當使用易造成電池液外洩或電池破裂。請隨時遵照下列規定：

- 隨時按照電池室內的標示，對照正(+)、負(-)，以正確方式將電池裝入電池室內。
- 不得將舊電池混用。
- 規格相同的電池，品牌不同電壓可能亦不盡相同。切勿混合使用不同品牌的電池。
- 動手廢棄使用過的電池時，請遵照個人所在國家或地區的政府法規或環境公共事務的規定處理。
- 為了避免電池液外洩，長時間(2個月以上)不使用遙控器時，請將電池取出。發生洩漏時，請小心的將電池室內的電池液擦拭乾淨，同時更換新的電池。
- 切勿將本機或其他重物置放在遙控器上，如此易令接縫下壓而加速耗盡電池電力。

### 揚聲器佈置之其餘注意事項

若您的房間屬於大小適中的規格，則請您按照步驟3中的方式來佈置揚聲器，便能享受到最佳的環境聲效果。

如果您是在相當狹小的房間內，那麼便不可能採用典型的環境揚聲器設置方式。有關環境揚聲器3點設置的資訊，請參閱操作手冊內的「家庭劇院音效設定」乙節及「揚聲器設定指南」。在採用步驟3中所述之標準環境揚聲器設置時，請遵照下列指示：

- 請將左前置及右前置主揚聲器，與電視機相隔同等的距離來安裝。
- 為求產生最佳的效果，安裝時請置於較耳朵高度稍高的位置。
- 請將中置揚聲器置於電視機的上方或下方，可讓您感受有如電視螢幕直接發出中聲道的音效一樣。

**安全注意事項：**

- 將中置揚聲器置於電視機上方時，請確實以膠帶或其他適當的方式來固定揚聲器。否則，揚聲器會因地震等外力震動而從電視機上掉落，危及周邊的人們或造成揚聲器損壞。
- 此種作法會導致故障或起火。
- 隨本機附上之前置、中置及環繞揚聲器均已經過防磁處理。然而，當視所安裝的位置，色彩失調在揚聲器如果安裝得太靠近電視機螢幕時，則有可能發生。如果發生，請「關閉」電視機電源，然後等待30分鐘後再打開。如果問題仍在，請將揚聲器系統移開電視機旁。
- 重低音並未經過防磁處理，亦因此擺設時不得靠近電視機或顯示器。
- 由於重低音並未經過防磁處理，因此磁性儲存媒體(像是軟碟、錄音帶或錄影帶等)所放位置不可太過靠近重低音。
- 請勿將前置、中置揚聲器及重低音安裝在牆上或天花板上，以免萬一掉落使人受傷。

### 3 使用標示顏色的揚聲器插頭接至每只揚聲器上。將這些插頭對照DVD/CD接收機後面板上的顏色端子接上。

請依照下列步驟連接每只揚聲器。

- 1 將每條導線上的保護外皮扭轉後扯下。
- 2 將導線接至揚聲器上。將標示顏色的導線對照著標示顏色的標識(凸耳上方)，接著將有色導線插入紅色(+)的凸耳內，而另一條導線則插入黑色(-)的凸耳內。
- 3 將另一端連接至DVD/CD接收機後面板上的顏色端子(如左圖所示)。請確實完全插入。在揚聲器插頭線端處的小型接頭應視其為連接上方或下方三個端子中的端子，再行決定應正面朝上或朝下。請確實正確接上。

右環繞 (灰色) 左環繞 (藍色)

中置 (綠色) 重低音 (紫色)

右前置 (紅色) 左前置 (白色)

上方三個端子 下方三個端子

為產生最佳的環繞音效，請照上圖方式佈置個人的揚聲器。左前置及右前置揚聲器二者應相距1.8-2.7公尺。

**注意** 這些揚聲器端子在導電時是具有危險性的。在您將線接上或脫離時，為避免受到電擊的危險，切勿在脫離電源線之前，觸及到未絕緣的部份。

### 4 將DVD/CD接收機接至個人電視機上，然後接上隨附的電源線。

- 1 將接收機一端接至個人電視機上的視頻輸入。連接時利用隨附的視頻線。
- 2 將接收機另一端接至DVD/CD接收機的視頻輸出上。本機為採用防盜技術。切勿使用AV傳輸線將本機透過VCR的方式接至個人的電視機，如此一來，經由本機所傳送的畫面便有可能無法正常的在電視上顯示。
- 3 將電源線接上AC電源插座。

恭禧！現在您已設定完成。

## 揚聲器設定指南

### 請清點所有揚聲器配件

- 前置揚聲器 x 2
- 中置揚聲器 x 1
- 環繞揚聲器 x 2
- 重低音 x 1
- 揚聲器線：紅線/白線(前置揚聲器) 4公尺 x 2 綠線(中置揚聲器) 4公尺 x 1 藍線/灰線(環繞揚聲器) 10公尺 x 2 紫線(重低音) 4公尺 x 1
- 防滑墊(小) x 4
- 防滑墊(大)
- 台灣機種 x 4
- 其他機種 x 6

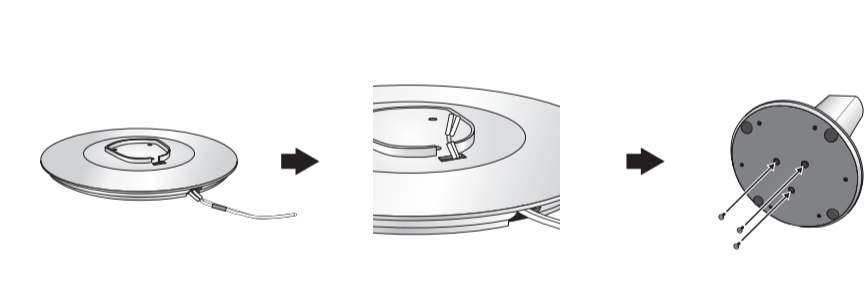
### 設置時之安全注意事項

在組裝揚聲器時，請側放在平坦的表面上以免發生意外或受傷。組裝、設置及擺設揚聲器時，請確實利用平坦的表面。

### 組裝揚聲器支架及固定您的前置揚聲器

使用隨機附贈的螺絲將揚聲器基座安裝到支柱上。

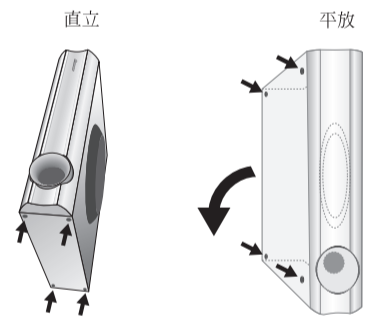
在將基座固定到支柱上時，捲起揚聲器線穿過基座上的孔(如下圖)。接著，在您將支柱對基座後，將小的螺絲鎖上右圖所示的位置。



### 擺設重低音(僅適用於台灣機種)

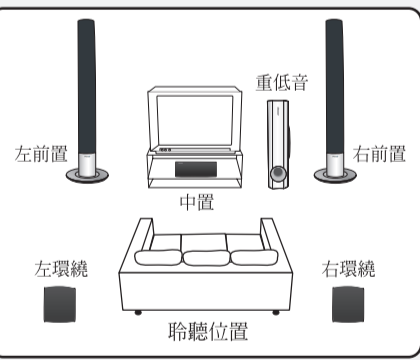
選擇重低音的擺設方式(僅適用於台灣機種)

隨本系統附贈的重低音可以直立或開放(平放)。請選擇最適合您房間的擺設方式，然後將



### 標準環繞立體聲5點設置

採用此標準方式放置多聲道環繞立體聲揚聲器，可享受理想的5.1聲道家庭影院音響效果。



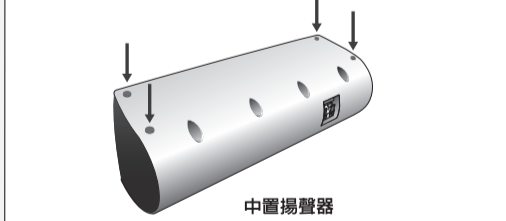
\*圖示以台灣機種為例

### 注意

- 請勿使用非隨托架附上的安裝配件來安裝前置揚聲器。

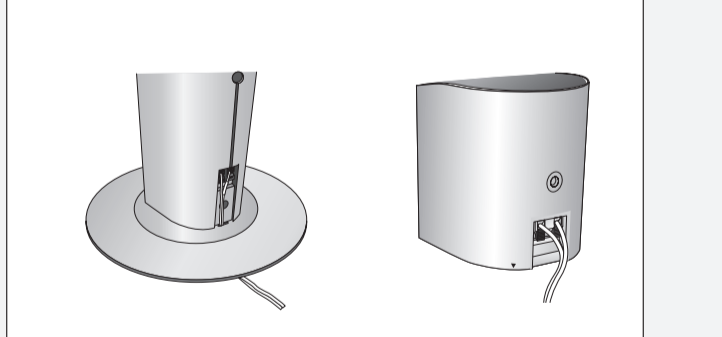
1 將小的防滑墊貼到中置揚聲器的基座上

使用隨機附贈的黏著劑將四片防滑墊貼到中置揚聲器的基座上。



### 2 連接揚聲器系統。

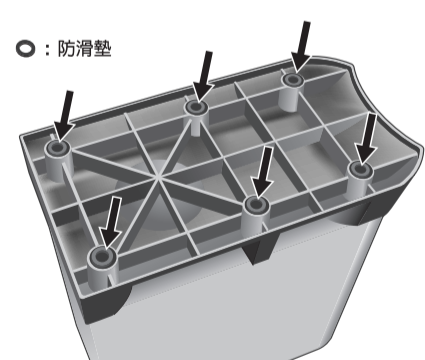
請參閱設置您的DVD/CD接收機的內容(其他設置指南的部份)，以正確連接揚聲器。請按照最左圖中所示方式擺置，以獲得最佳的環繞聲效果。



### 將防滑墊貼到重低音的基座上(新加坡/印尼/香港/菲律賓/馬來西亞機種)

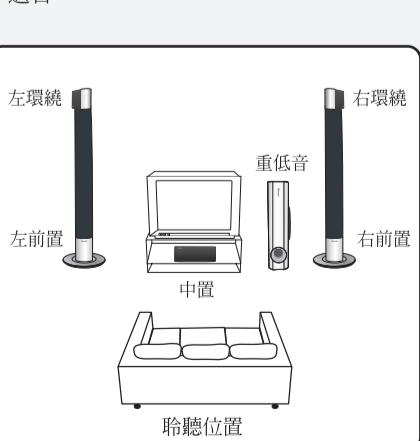
將大的防滑墊貼到重低音的基座上

請用隨機附贈的黏著劑將六片防滑墊貼到重低音的基座上。



### 前置式環繞立體聲3點設置

如果無法將環繞立體聲揚聲器放置在收聽位置後方，或避免在收聽範圍內鋪設太長的揚聲器電纜，這種設置方式就最適合。



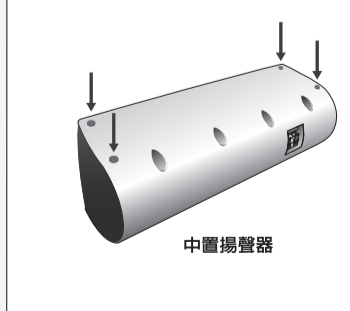
\*圖示以台灣機種為例

### 注意

- 請勿使用非隨托架附上的安裝配件來安裝前置揚聲器。

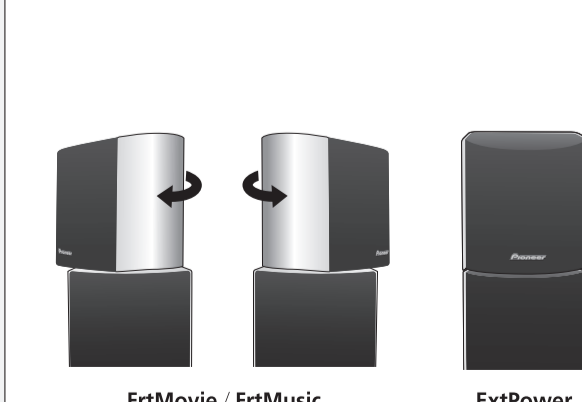
1 將小的防滑墊貼到中置揚聲器的基座上

使用隨機附贈的黏著劑將四片防滑墊貼到中置揚聲器的基座上。



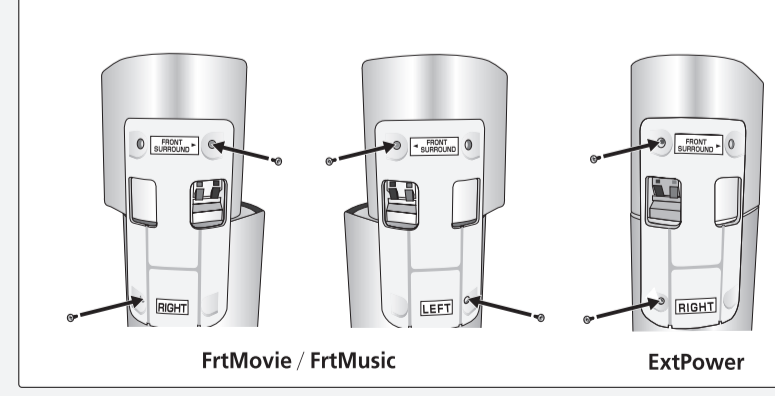
2 將環繞揚聲器放前置揚聲器上，將環繞揚聲器轉向最近一面牆壁，對齊箭頭標示，以產生最佳前置環繞音響。

轉動每只環繞揚聲器使基座上的▼箭頭標示對齊前置揚聲器上的▲FRONT SURROUND箭頭標示。這作法只有在有使用FrtMovie或FrtMusic時才有必要。使用ExtPower(加大功率)時，環繞揚聲器應與前置揚聲器同方式。請參閱操作手冊以了更多關於Front Surround模式的資訊。



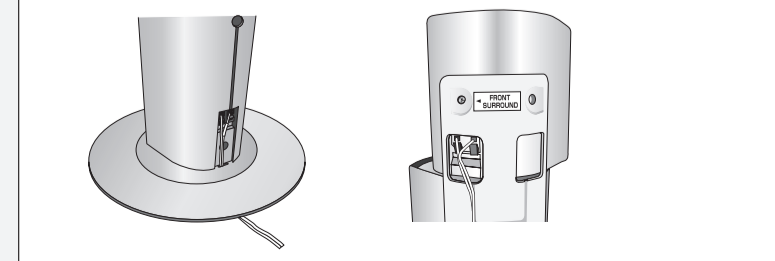
3 利用所附的托架固定於位置上。

將托架上的孔對齊揚聲器上的孔，然後利用兩顆螺絲鎖上下圖所示的位置。請確實將右和左托架對準揚聲器接上(如圖示)。



4 連接揚聲器系統。

請參閱設置您的DVD/CD接收機的內容(其他設置指南的部份)，以正確連接揚聲器。



5 固定揚聲器線。

在您完成時，捲起環繞揚聲器穿過揚聲器支架背面上的出口，並穿過托架底部(如圖示)。



## Free Manuals Download Website

<http://myh66.com>

<http://usermanuals.us>

<http://www.somanuals.com>

<http://www.4manuals.cc>

<http://www.manual-lib.com>

<http://www.404manual.com>

<http://www.luxmanual.com>

<http://aubethermostatmanual.com>

Golf course search by state

<http://golfingnear.com>

Email search by domain

<http://emailbydomain.com>

Auto manuals search

<http://auto.somanuals.com>

TV manuals search

<http://tv.somanuals.com>