

CLASS D MONO AMPLIFIER

AMPLIFICATEUR MONO DE CLASSE D

Owner's Manual

PRS-D1100M

Mode d'emploi

ENGLISH

ESPAÑOL

DEUTSCH

FRANÇAIS

ITALIANO

NEDERLANDS

РУССКИЙ

| | |
|---|-----------|
| Before Using This Product | 1 |
| Visit our website | 1 |
| In case of trouble | 2 |
| About This Product | 2 |
| CAUTION | 2 |
| WARNING | 2 |
| Setting the Unit | 3 |
| Terminal Cover | 3 |
| Power Indicator | 3 |
| Subsonic Select Switch | 3 |
| Bass Boost Control | 3 |
| BFC (Beat Frequency Control) Switch | 3 |
| MODE SELECT Switch | 4 |
| Gain Control | 4 |
| Cut Off Frequency Control for LPF | 4 |
| Input Switch | 4 |
| POWER MODE Switch | 4 |
| Connecting the Unit | 5 |
| Connection Diagram | 6 |
| Connecting the Power Terminal | 7 |
| Connecting the Speaker Output Terminals | 8 |
| Using the Speaker Input | 8 |
| Connecting the Speaker Wires | 9 |
| Installation | 13 |
| Example of installation on the floor mat or on the chassis | 14 |
| Replacing the terminal cover | 14 |
| Specifications | 15 |

Thank you for purchasing this PIONEER product. Before attempting operation, be sure to read this manual.



If you want to dispose this product, do not mix it with general household waste. There is a separate collection system for used electronic products in accordance with legislation that requires proper treatment, recovery and recycling.

Private households in the 25 member states of the EU, in Switzerland and Norway may return their used electronic products free of charge to designated collection facilities or to a retailer (if you purchase a similar new one).

For countries not mentioned above, please contact your local authorities for the correct method of disposal.

By doing so you will ensure that your disposed product undergoes the necessary treatment, recovery and recycling and thus prevent potential negative effects on the environment and human health.

Visit our website

Visit us at the following site:


www.pioneer.co.uk

- Register your product. We will keep the details of your purchase on file to help you refer to this information in the event of an insurance claim such as loss or theft.
- We offer the latest information about Pioneer Corporation on our website.

In case of trouble

When the unit does not operate properly, contact your dealer or the nearest authorized PIONEER Service Station.

About This Product

This product is a class D amplifier for the subwoofer. If both L (left) and R (right) channels are connected to the RCA input of this product, output is mixed because this product is a mono amplifier.

CAUTION

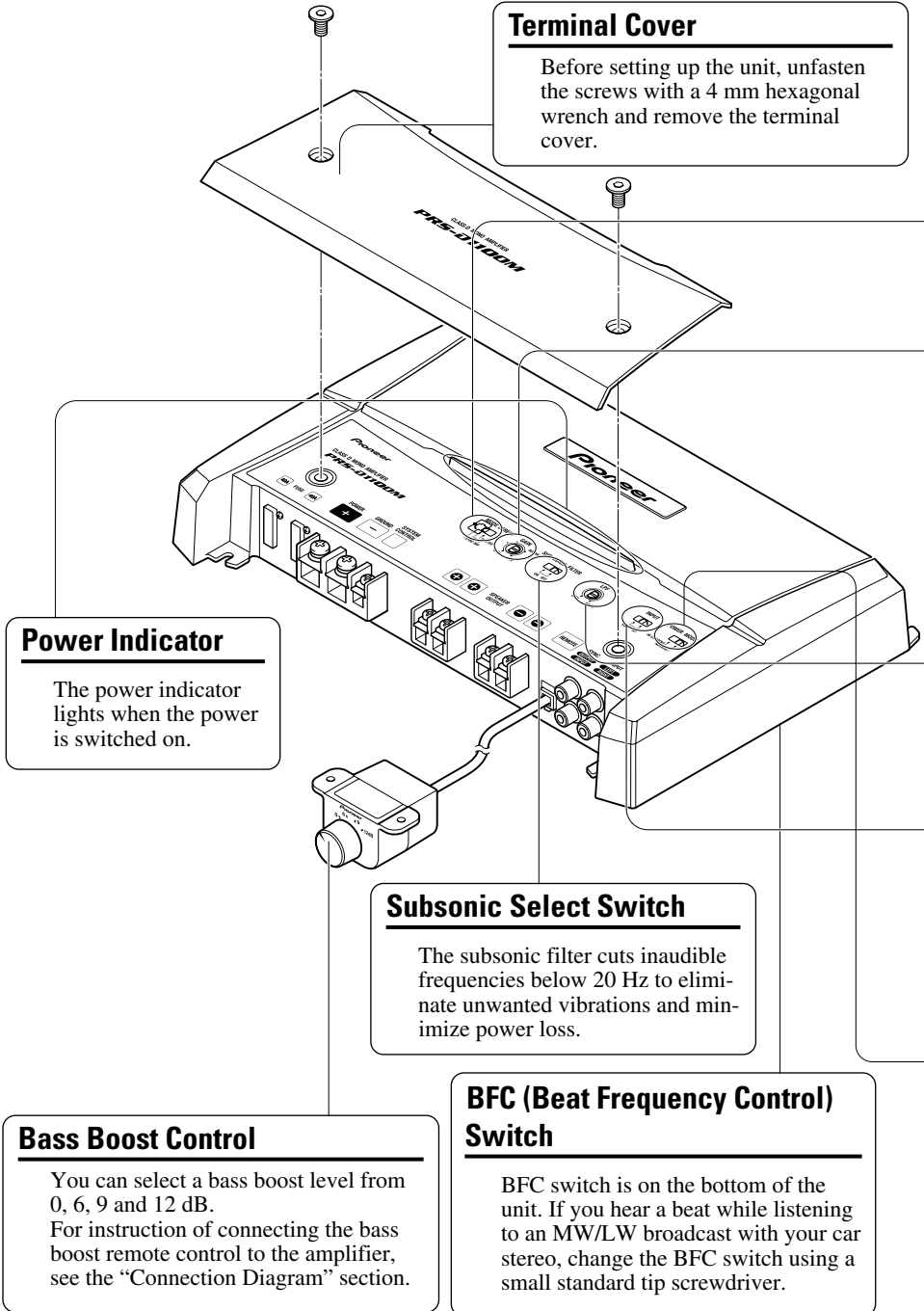
Never replace the fuse with one of greater value or rating than the original fuse. Use of an improper fuse could result in overheating and smoke and could cause damage to the product and injury including burns.

WARNING

- Always use the special red battery and ground wire [RD-223] and [RD-222], which are sold separately. Connect the battery wire directly to the car battery positive terminal (+) and the ground wire to the car body. There is the risk of a fuse burning out if only one of these is connected.
- Do not touch the amplifier with wet hands. Otherwise you may get an electric shock. Also, do not touch the amplifier when it is wet.
- For traffic safety and to maintain safe driving conditions, keep the volume low enough so that you can still hear normal traffic sound.
- Check the connections of the power supply and speakers if the fuse of the separately sold battery wire or the amplifier fuse blows. Detect the cause and solve the problem, then replace the fuse with another one of the same size and rating.
- To prevent malfunction of the amplifier and speakers, the protective circuit will cut the power supply to the amplifier (sound will stop) when an abnormal condition occurs. In such a case, switch the power to the system OFF and check the connection of the power supply and speakers. Detect the cause and solve the problem.
- Contact the dealer if you cannot detect the cause.
- To prevent an electric shock or short-circuit during connection and installation, be sure to disconnect the negative (-) terminal of the battery beforehand.
- Confirm that no parts are behind the panel when drilling a hole for installation of the amplifier. Be sure to protect all cables and important equipment such as fuel lines, brake lines and the electrical wiring from damage.
- DO NOT allow amplifier to come into contact with liquids due to, for example, the location where the amplifier is installed. Electrical shock could result. Also, amplifier and speaker damage, smoke, and overheating could result from contact with liquids. In addition, the amplifier surface and the surface of any attached speakers could become hot to the touch and minor burns could result.

Setting the Unit

- To adjust the switch, use standard tip screwdriver if needed.



MODE SELECT Switch

You can select amplifier's sync mode from MASTER, SYNC and SYNC INV. Set the MODE SELECT switch to the MASTER position when using one amplifier only. When using synchronously connecting two or more of these amplifiers in combination, set the first amplifier to MASTER, and set the remaining amplifiers to SYNC or SYNC INV according to the manner in which they are connected. The only time the amplifier is switched to the SYNC INV mode is when amplifiers are synchronously connected with the ex. bridge.

When switching to the SYNC INV mode, the seal over the MODE SELECT switch must be peeled off and you can find SYNC INV switch. Peel off the seal after checking that connections are correct. See the "Connecting the Speaker Wires" section for details on the MODE SELECT switch.

Gain Control

If the sound level is too low, even when the volume of the car stereo used along with this power amplifier is turned up, turn gain control clockwise. If the sound distorts when the volume is turned up, turn the gain control counter-clockwise.

- When using with an RCA equipped car stereo (standard output of 500 mV), set to the NORMAL position. When using with an RCA equipped Pioneer car stereo with max. output of 4 V or more, adjust level to match the car stereo output level.
- If you hear too much noise when using the speaker input terminals, turn the gain control counter-clockwise.

Cut Off Frequency Control for LPF

You can select a cut off frequency from 40 Hz to 240 Hz.

Input Switch

It is possible to input from a car stereo external output or a car stereo speaker output. Switch the input switch before turning on the power. Since switching the input switch while the power is on can cause a loud noise to be emitted from the speakers, the power is turned off by a protection function. When using an external output, slide the switch to the left. For connection instructions, see the "Connection Diagram" section. When using a speaker output, slide the switch to the right. In this case, it is necessary to use the supplied speaker input wire with RCA pin cord. For details, see the "Using the Speaker Input" section.

POWER MODE Switch

When using speakers with synthetic impedance $2\ \Omega$ to $8\ \Omega$, slide the switch to the right (NORMAL). When using speakers with synthetic impedance from $1\ \Omega$ to less than $2\ \Omega$, slide the switch to the left (HI-CURRENT). These settings are only used when using a single amplifier. See the "Connecting the Speaker Wires" section when combining the use of multiple amplifiers.

If the speaker impedance exceeds $2\ \Omega$ ($4\ \Omega$ when using ex. bridge), although the POWER MODE switch be may set to the HI-CURRENT position, setting to the NORMAL position makes it possible to enjoy high power sound.

CAUTION

- Disconnect the negative (–) terminal of the battery to avoid the risk of short-circuit and damage to the unit.
- Secure the wiring with cable clamps or adhesive tape. To protect the wiring, wrap adhesive tape around it where they lie against metal parts.
- Do not route wires where they will get hot, for example where the heater will blow over them. If the insulation heats up, it may become damaged, resulting in a short-circuit through the vehicle body.

CAUTION:

To prevent damage and/or injury

- Do not ground the speaker wire directly or connect a negative (–) lead wire for several speakers.
- This unit is for vehicles with a 12-volt battery and negative grounding. Before installing it in a recreational vehicle, truck or bus, check the battery voltage.
- If the car stereo is kept on for a long time while the engine is at rest or idling, the battery may go dead. Turn the car stereo off when the engine is at rest or idling.
- If the system remote control wire of the amplifier is connected to the power terminal through the ignition switch (12 V DC), the amplifier will always be on when the ignition is on—regardless of whether the car stereo is on or off. Because of this, the battery could go dead if the engine is at rest or idling.
- DO NOT connect a subwoofer with a lower impedance than specified in the “Connecting the Unit” section. Amplifier damage, smoke, and overheating could result from a non-specified connection. The amplifier surface could also become hot to the touch and minor burns could result.

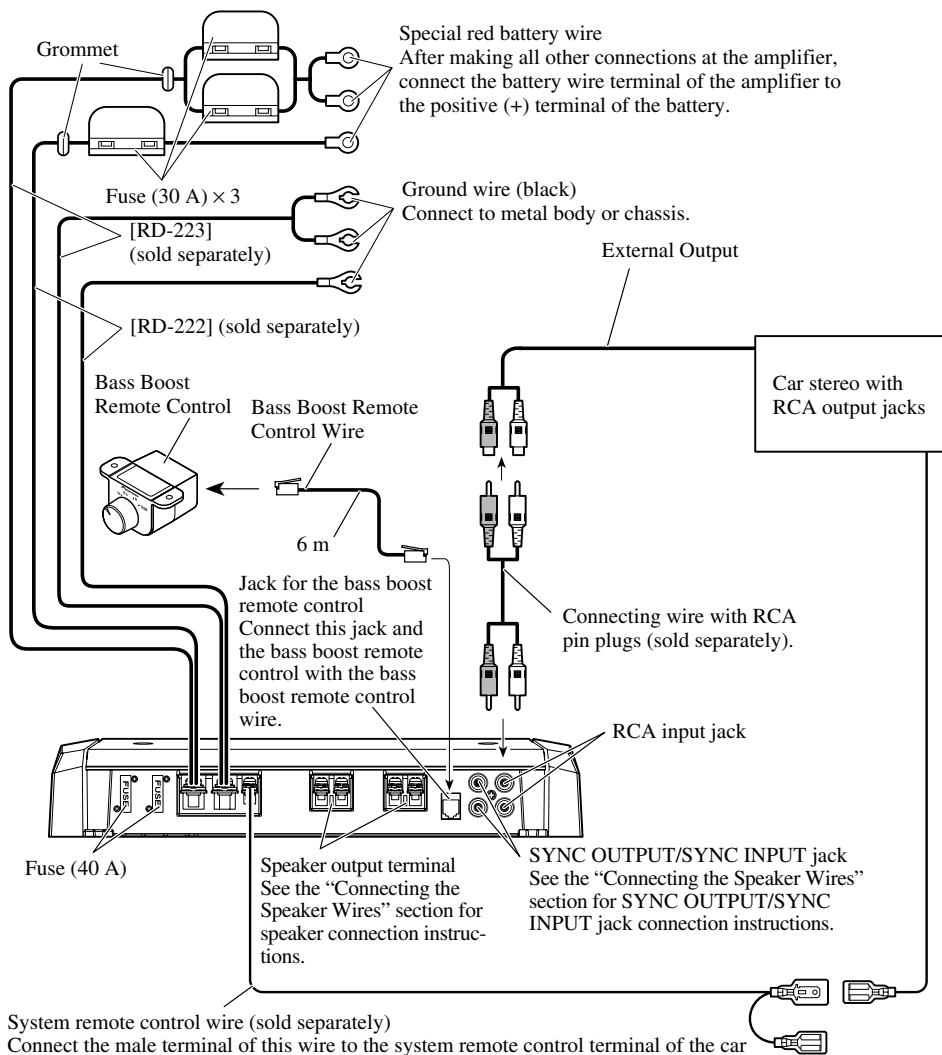
- Make sure that wires will not interfere with moving parts of the vehicle, such as the gearshift, handbrake or seat sliding mechanism.
- Do not shorten any wires. Otherwise the protection circuit may fail to work when it should.
- Never feed power to other equipment by cutting the insulation of the power supply wire to tap from the wire. The current capacity of the wire will be exceeded, causing overheating.
- Never replace the fuse with one of greater value or rating than the original fuse. Use of an improper fuse could result in overheating and smoke and could cause damage to the product and injury including burns.

- Connect either of three subwoofers to the amplifier; 1: a subwoofer with a 420 W or larger nominal input and an impedance 4 Ω , 2: a subwoofer with a 600 W or larger nominal input and an impedance 2 Ω or 3: a subwoofer with a 600 W or larger nominal input and an impedance 1 Ω . If the nominal input and impedance are out of the above ranges, the subwoofer may catch fire, emit smoke or become damaged.
- Install and route the separately sold battery wire as far away as possible from the speaker wires. Install and route the separately sold battery wire, ground wire, speaker wires and the amplifier as far away as possible from the antenna, antenna cable and tuner.

- Cords for this product and those for other products may be different colors even if they have the same function. When connecting this product to another product, refer to the supplied manuals of both products and connect cords that have the same function.

Connection Diagram

- This diagram shows connections using external output. Slide the input switch to the left.
- In the case of connecting the external output from a car stereo to an RCA input, use the jack used for full-range output. This is because the LPF of the amplifier cannot be turned OFF. If this jack cannot be used, connect the subwoofer output jack to the RCA input.
- When you connect with speaker output, connections defers from the diagram. For details, see the “Using the Speaker Input” section. In either case, you need to set the input switch. For details, see the “Setting the Unit” section.
- Always use the special red battery and ground wire ([RD-223] and [RD-222]), which are sold separately. Connect the battery wire directly to the car battery positive terminal (+) and the ground wire to the car body. There is the risk of a fuse burning out if only one of these is connected.



System remote control wire (sold separately)

Connect the male terminal of this wire to the system remote control terminal of the car stereo (SYSTEM REMOTE CONTROL). The female terminal can be connected to the auto-antenna relay control terminal. If the car stereo does not have a system remote control terminal, connect the male terminal of this wire to the car stereo's antenna terminal. For more information, see the manual.

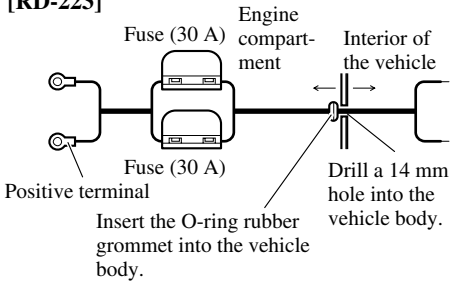
Connecting the Power Terminal

- Always use the special red battery and ground wire ([RD-223] and [RD-222]), which are sold separately. Connect the battery wire directly to the car battery positive terminal (+) and the ground wire to the car body. There is the risk of a fuse burning out if only one of these is connected.

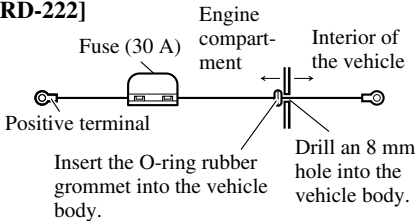
1. Pass the battery wire from the engine compartment to the interior of the vehicle.

- After making all other connections to the amplifier, connect the battery wire terminal of the amplifier to the positive (+) terminal of the battery.

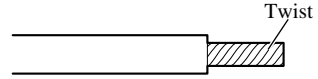
[RD-223]



[RD-222]

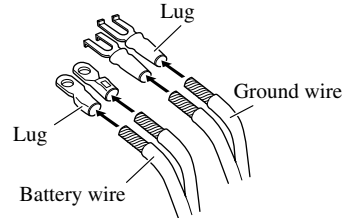


2. Twist the battery wire, ground wire and system remote control wire.



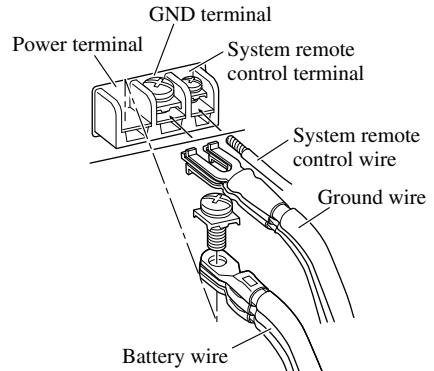
3. Attach lugs to wire ends. Lugs not supplied.

- Use pliers, etc., to crimp lugs to wires.



4. Connect the wires to the terminal.

- Fix the wires securely with the terminal screws.

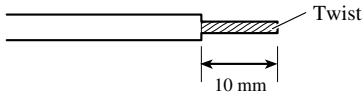


⚠ WARNING

Failure to securely fasten the battery wire to the terminal using the terminal screws could cause the terminal area to overheat and could result in damage and injury including minor burns.

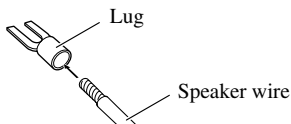
Connecting the Speaker Output Terminals

1. Expose the end of the speaker wires using nippers or a cutter by about 10 mm and twist.



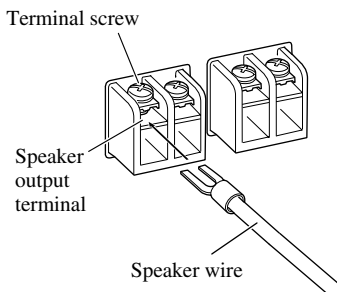
2. Attach lugs to speaker wire ends. Lugs not supplied.

- Use pliers, etc., to crimp lugs to wires.



3. Connect the speaker wires to the speaker output terminals.

- Fix the speaker wires securely with the terminal screws.

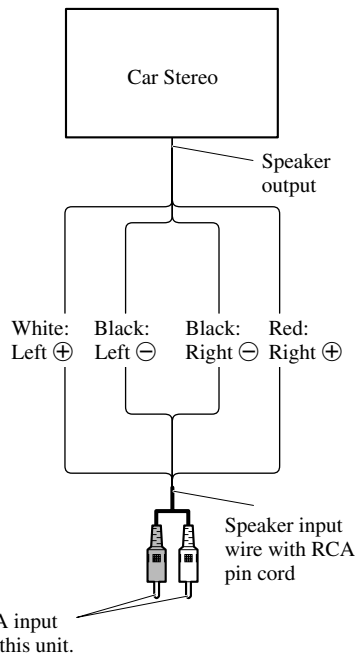


Using the Speaker Input

Connect the car stereo speaker output wires to the amplifier using the supplied speaker input wire with RCA pin cord.

- Slide the input switch to the right.

- Connections when using the speaker input



To RCA input jack of this unit.

- As a result of connecting the car stereo speaker output wire to the amplifier, the power of the amplifier is turned on automatically when the car stereo is turned on. It is not necessary to connect the system remote control wire in this case.
- In the case the amplifier and head unit are connected using a speaker input wire with RCA pin cord, the amplifier power is only turned on when one amplifier is being used. If two or more amplifiers are synchronously connected in combination, connect the head unit and all of the amplifiers with the system remote control wire.

Note:

- Connect the system remote control wire when the power of the amplifier is not to be turned on when the car stereo is turned on.

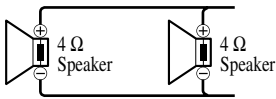
Connecting the Speaker Wires

Connect the speaker leads and set MODE SELECT switch and POWER MODE switch to suit the configuration according to the figures shown below and the next page.

- When synchronously connecting two or more amplifiers in combination, only use these amplifiers. Do not mix these amplifiers with other amplifiers.
- When synchronously connecting two or more amplifiers in combination, set the gain control, subsonic select switch, cut off frequency control for LPF and bass boost control on the amplifier that has been set to MASTER with the MODE SELECT switch. These settings are inactive when set on an amplifier set to SYNC or SYNC INV.

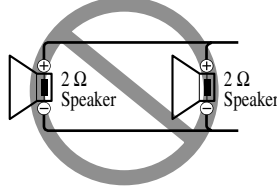
CAUTION

Diagram A - Proper



2 Ω Bridged Mode

Diagram B - Improper



1 Ω Bridged Mode

Do NOT install or use this amplifier by wiring speakers rated at 2 Ω (or lower) in parallel to achieve a 1 Ω (or lower) bridged mode (Diagram B).

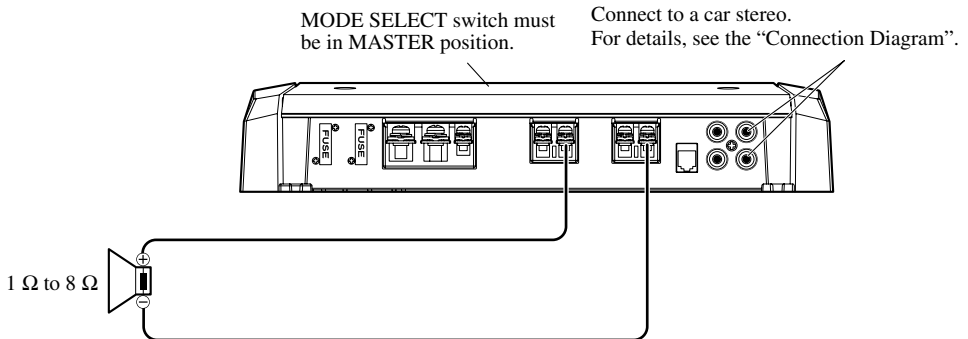
Amplifier damage, smoke, and overheating could result from improper bridging. The amplifier surface could also become hot to the touch and minor burns could result.

To properly install or use a bridged mode and achieve a 2 Ω load, wire two 4 Ω speakers in parallel with Left + and Right – (Diagram A) or use a single 2 Ω speaker.

If the synthetic impedance is from 2 Ω to less than 4 Ω, always make sure to set the POWER MODE switch to the HI-CURRENT position.

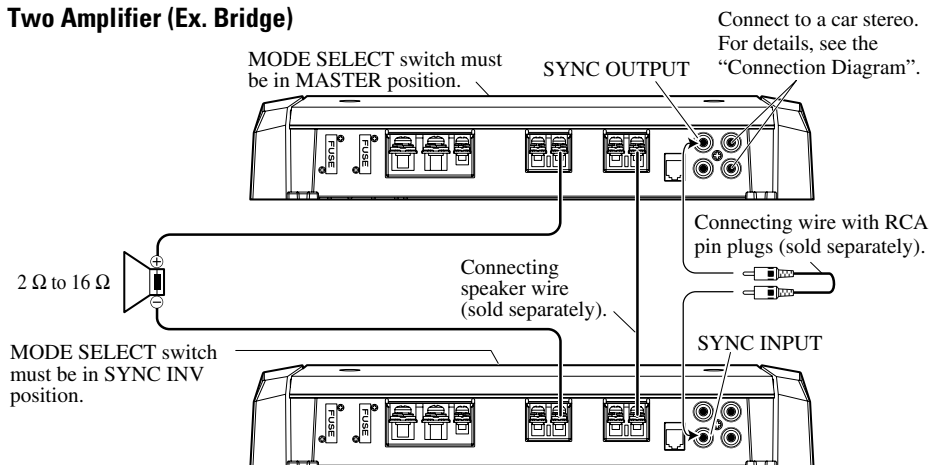
In addition, refer to the speaker instruction manual for information on the correct connection procedure.

Single Amplifier



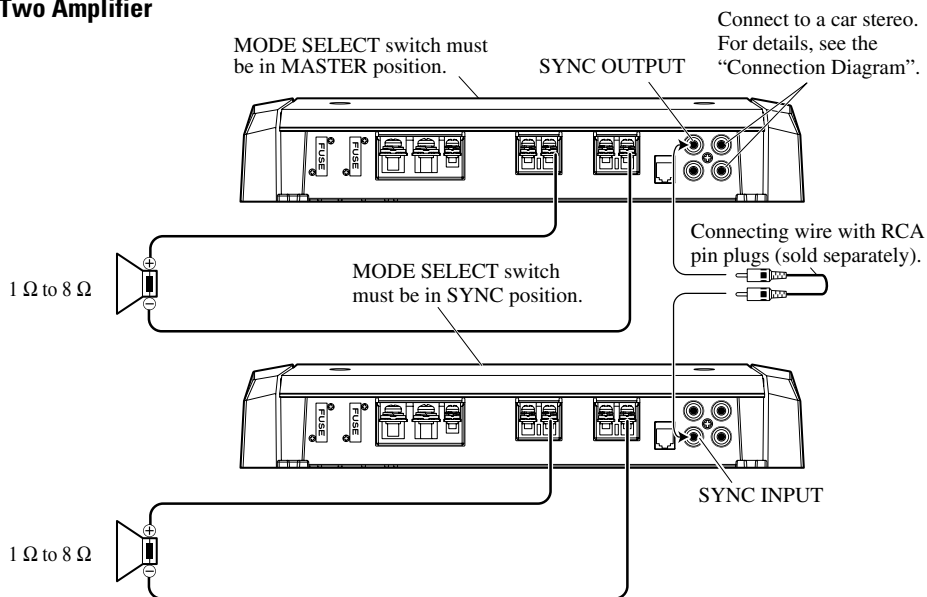
- Use speakers having an impedance from 1 Ω to 8 Ω.
- The setting of the POWER MODE switch varies according to the speaker impedance. See the "Setting the Unit" section for details.

Two Amplifier (Ex. Bridge)



- Only use speakers having an impedance of $2\ \Omega$ to $16\ \Omega$. In addition, in the case of connecting multiple speakers with a bridge, check that the synthetic impedance is at least $2\ \Omega$.
- The setting of the POWER MODE switch varies according to the speaker impedance. Slide the POWER MODE switch to the HI-CURRENT position if the impedance is from $2\ \Omega$ to less than $4\ \Omega$, or slide it to the NORMAL position if the impedance is from $4\ \Omega$ to $16\ \Omega$. The same setting is used for both amplifiers.
- When switching to the SYNC INV mode, the seal over the MODE SELECT switch must be peeled off and you can find SYNC INV switch. Peel off the seal after checking that connections are correct.

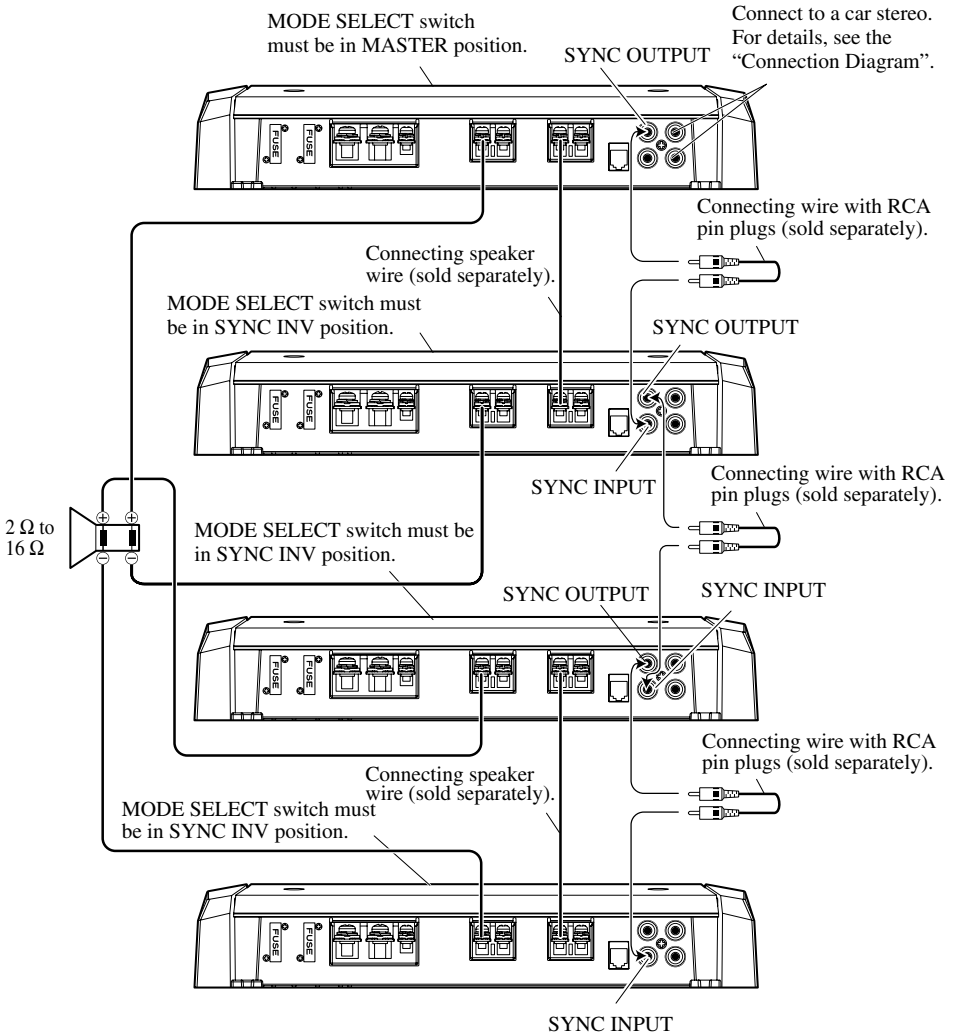
Two Amplifier



- Use speakers having an impedance from $1\ \Omega$ to $8\ \Omega$.
- The setting of the POWER MODE switch varies according to the speaker impedance. See the "Setting the Unit" section for details. The same setting is used for both amplifiers.

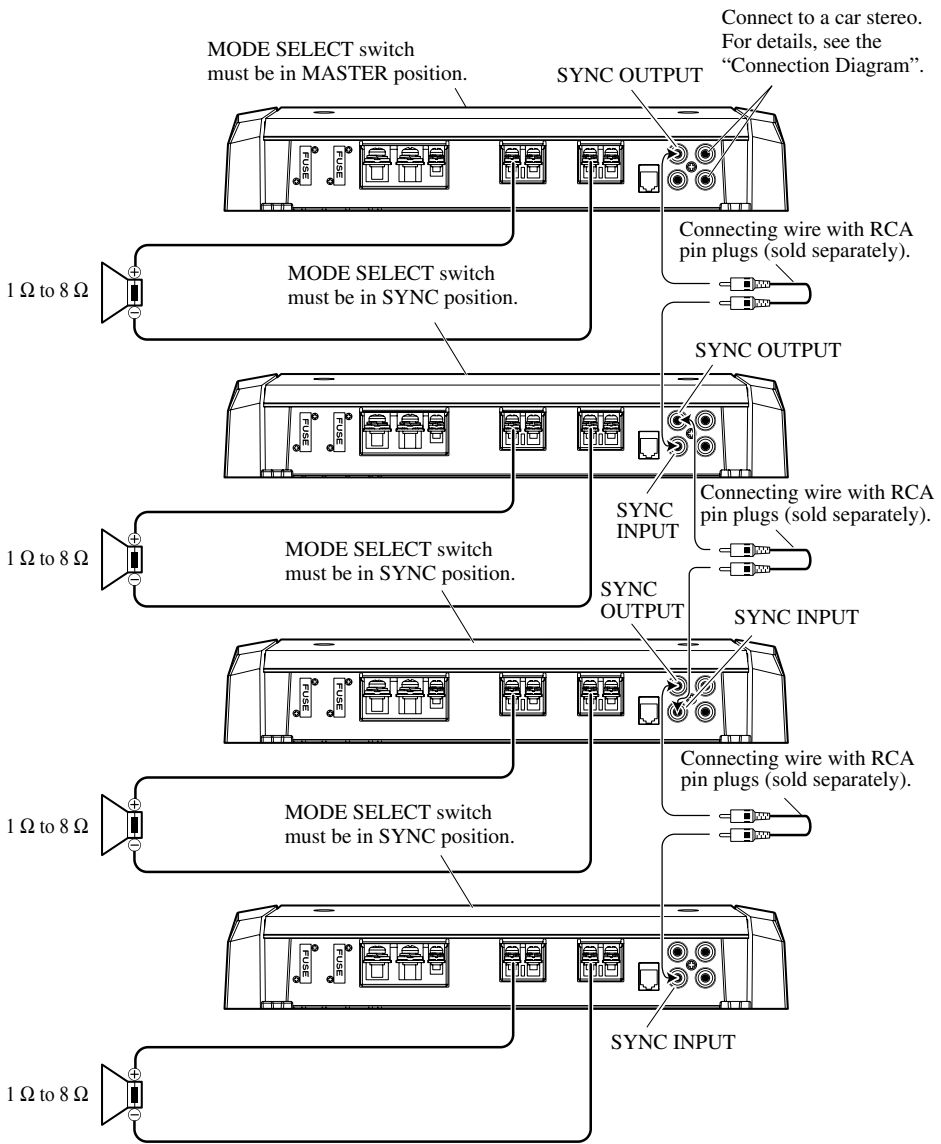
Connecting the Unit

Four Amplifier (Ex. Bridge)



- Only use speakers having an impedance of 2 Ω to 16 Ω. In addition, in the case of connecting multiple speakers with a bridge, check that the synthetic impedance is at least 2 Ω.
- The setting of the POWER MODE switch varies according to the speaker impedance. Slide the POWER MODE switch to the HI-CURRENT position if the impedance is from 2 Ω to less than 4 Ω, or slide it to the NORMAL position if the impedance is from 4 Ω to 16 Ω. The same setting is used for four amplifiers.
- When switching to the SYNC INV mode, the seal over the MODE SELECT switch must be peeled off and you can find SYNC INV switch. Peel off the seal after checking that connections are correct.

Four Amplifier



- Use speakers having an impedance from 1 Ω to 8 Ω.
- The setting of the POWER MODE switch varies according to the speaker impedance. See the "Setting the Unit" section for details. The same setting is used for four amplifiers.

CAUTION

- Do not install in:
 - Places where it could injure the driver or passengers if the vehicle stops suddenly.
 - Places where it may interfere with the driver, such as on the floor in front of the driver's seat.
- Make sure that wires are not caught in the sliding mechanism of the seats, resulting in a short-circuit.
- Confirm that no parts are behind the panel when drilling a hole for installation of the amplifier. Protect all cables and important equipment such as fuel lines, brake lines and electrical wiring from damage.
- Install tapping screws in such a way that the screw tip does not touch any wire. This is important to prevent wires from being cut by vibration of the car, which can result in fire.
- DO NOT allow amplifier to come into contact with liquids due to, for example, the location where the amplifier is installed. Electrical shock could result. Also, amplifier and speaker damage, smoke, and overheating could result from contact with liquids. In addition, the amplifier surface and the surface of any attached speakers could become hot to the touch and minor burns could result.
- To ensure proper installation, use the supplied parts in the manner specified. If any parts other than the supplied ones are used, they may damage internal parts of the amplifier, or they may become loose causing the amplifier to shut down.
- Never replace the fuse with one of greater value or rating than the original fuse. Use of an improper fuse could result in overheating and smoke and could cause damage to the product and injury including burns.

CAUTION:

To prevent malfunction and/or injury

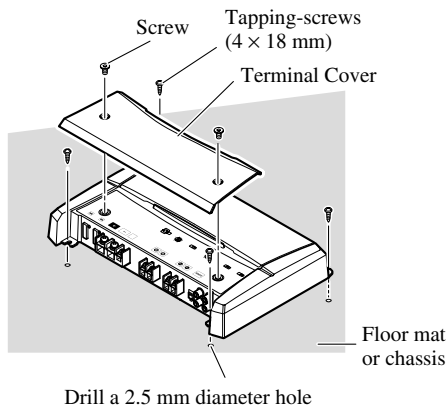
- To ensure proper heat dissipation of the amplifier, be sure of the following during installation.
 - Allow adequate space above the amplifier for proper ventilation.
 - Do not cover the amplifier with a floor mat or carpet.
- DO NOT allow amplifier to come into contact with liquids due to, for example, the location where the amplifier is installed. Electrical shock could result. Also, amplifier and speaker damage, smoke, and overheating could result from contact with liquids. In addition, the amplifier surface and the surface of any attached speakers could become hot to the touch and minor burns could result.
- Do not install the amplifier on unstable places such as the spare tire board.
- The best location for installation differs with the car model and installation location. Secure the amplifier at a sufficiently rigid location.
- Make temporary connections first and check that the amplifier and the system operate properly.
- After installing the amplifier, confirm that the spare tire, jack and tools can be easily removed.

Example of installation on the floor mat or on the chassis

1. Place the amplifier where it is to be installed. Insert the supplied tapping screws (4×18 mm) into the screw holes. Push on the screws with a screwdriver so they make marks where the installation holes are to be located.
2. Drill 2.5 mm diameter holes at the point marked, and install the amplifier, either on the carpet or directly to the chassis.

Replacing the terminal cover

1. Align the unit and terminal cover, and insert the screw.
2. Tighten the screw with a 4 mm hexagonal wrench.



Specifications

| | |
|---------------------------------------|--|
| Power source | 14.4 V DC (10.8 V to 15.1 V allowable) |
| Grounding system | Negative type |
| Current consumption | 39 A (at continuous power, 4 Ω) |
| Average current drawn* | 12 A (4 Ω for one channel) 20 A (2 Ω for one channel) 28 A (1 Ω for one channel) |
| Fuse (external) | 40 A \times 2 |
| Dimensions | 304 (W) \times 56 (H) \times 195 (D) mm |
| Weight | 2.9 kg (Leads for wiring not included) |
| Maximum power output | 800 W \times 1 (4 Ω) / 1 200 W \times 1 (1 Ω to 2 Ω) |
| Continuous power (14.4 V) | NORMAL mode: 4 Ω , 20 Hz to 240 Hz, \leq 1.0% THD, 400 W \times 1 2 Ω , 100 Hz, \leq 1.0% THD, 600 W \times 1 HI-CURRENT mode: 4 Ω , 20 Hz to 240 Hz, \leq 1.0% THD, 150 W \times 1 2 Ω , 100 Hz, \leq 1.0% THD, 300 W \times 1 1 Ω , 100 Hz, \leq 1.0% THD, 600 W \times 1 |
| Load impedance | 4 Ω (1 Ω to 8 Ω allowable) |
| Frequency response | 10 Hz to 240 Hz (+0 dB, -3 dB) |
| S/N ratio | 92 dB (IEC-A network) |
| Distortion | 0.5 % (10 W, 100 Hz) |
| Low pass filter | Cut off frequency: 40 Hz to 240 Hz Cut off slope: -18 dB/oct |
| Subsonic filter (HPF) | Frequency: 20 Hz Slope: -18 dB |
| Bass boost | Frequency: 50 Hz Level: 0 / 6 / 9 / 12 dB |
| Gain control | RCA: 400 mV to 6.5 V SP: 1.6 V to 26 V |
| Maximum input level / impedance | RCA: 6.5 V / 22 k Ω SP: 26 V / 90 k Ω |

Note:

- Specifications and the design are subject to possible modification without notice due to improvements.

*Average current drawn

- The average current drawn is nearly the maximum current drawn by this unit when an audio signal is input. Use this value when working out total current drawn by multiple power amplifiers.

| | |
|--|-----------|
| Antes de usar este producto | 1 |
| Visite nuestro sitio Web | 1 |
| En caso de desperfectos | 2 |
| Sobre este producto | 2 |
| PRECAUCION | 2 |
| ADVERTENCIA | 2 |
| Ajuste de esta unidad | 3 |
| Cubierta de terminales | 3 |
| Indicador de alimentación | 3 |
| Interruptor selector subsónico | 3 |
| Control de refuerzo de graves | 3 |
| Interruptor BFC (Control de la frecuencia de batido) | 3 |
| Interruptor MODE SELECT | 4 |
| Control de ganancia | 4 |
| Control de frecuencia de corte para LPF | 4 |
| Interruptor de entrada | 4 |
| Interruptor POWER MODE | 4 |
| Conexión de la unidad | 5 |
| Diagrama de conexión | 6 |
| Conexión del terminal de alimentación | 7 |
| Conexión del terminal de salida de altavoz | 8 |
| Uso de la entrada de altavoz | 8 |
| Conexión de los cables de altavoces | 9 |
| Instalación | 13 |
| Ejemplo de instalación en la alfombra del piso o en el chasis | 14 |
| Recolocación de la cubierta de terminales | 14 |
| Especificaciones | 15 |

Muchas gracias por la adquisición de este producto PIONEER. Antes de tratar de operarlo, lea atentamente este manual.



Si desea deshacerse de este producto, no lo mezcle con los residuos generales de su hogar. De conformidad con la legislación vigente, existe un sistema de recogida distinto para los productos electrónicos que requieren un procedimiento adecuado de tratamiento, recuperación y reciclado.

Las viviendas privadas en los 25 estados miembros de la UE, en Suiza y Noruega pueden devolver gratuitamente sus productos electrónicos usados en las instalaciones de recolección previstas o bien en las instalaciones de minoristas (si adquieren un producto similar nuevo). En el caso de los países que no se han mencionado en el párrafo anterior, póngase en contacto con sus autoridades locales a fin de conocer el método de eliminación correcto. Al actuar siguiendo estas instrucciones, se asegurará de que el producto de desecho se somete a los procesos de tratamiento, recuperación y reciclaje necesarios, con lo que se previenen los efectos negativos potenciales para el entorno y la salud humana.

Visite nuestro sitio Web

Visítenos en el siguiente sitio:



- Registre su producto. Conservaremos los datos de su compra archivados para que pueda consultar esta información en caso de que deba efectuar un reclamo a la compañía de seguros por pérdida o robo.
- En nuestro sitio Web ofrecemos la información más reciente acerca de Pioneer Corporation.

En caso de desperfectos

Si esta unidad no funciona correctamente, póngase en contacto con su distribuidor o con el Centro de Servicio PIONEER autorizado más cercano.

Sobre este producto

Este producto es un amplificador para altavoz de subgraves. Si ambos los canales L (izquierdo) y R (derecho) se conectan a la entrada RCA de este producto, la salida se mezcla ya que este producto es un amplificador monofónico.

PRECAUCION

No reemplace nunca el fusible por uno con un valor de régimen mayor que el fusible original. El uso de un fusible inadecuado podría causar el sobrecalentamiento o humo, así como podría causar daños al producto y lesiones, incluyendo quemaduras.

ADVERTENCIA

- Siempre utilice el cable de batería rojo especial y los cables de tierra ([RD-223] y [RD-222]), vendidos separadamente. Conecte el cable de batería directamente al terminal positivo de la batería del vehículo (+) y el cable de tierra a la carrocería del vehículo. Existe el riesgo de quemado del fusible si se conecta solamente uno de ellos.
- No toque en el amplificador con las manos mojadas. Caso contrario, usted puede llevar un choque eléctrico. Igualmente, no toque en el amplificador cuando esté mojado.
- Para seguridad del tráfico y para mantener condiciones de conducción seguras, mantenga el volumen suficientemente bajo de manera que aun se pueda escuchar el sonido del tráfico normal.
- Verifique las conexiones del suministro de energía y altavoces para ver si el fusible del cable de batería vendido separadamente o el fusible del amplificador se queman. Detecte la causa y solución el problema, y reemplace el fusible con un otro del mismo tamaño y régimen.
- Para evitar mal funcionamiento del amplificador y altavoces, el circuito de protección cortará la alimentación al amplificador (el sonido se detendrá) cuando se produzca una situación anormal. En tal caso, apague el sistema y verifique la conexión de la alimentación y altavoces. Detecte la causa y resuelva el problema.
- Contacte a su distribuidor si no puede detectar la causa.
- Para evitar choques eléctricos o cortocircuitos durante la conexión e instalación, asegúrese de desconectar el terminal negativo (-) de la batería antes de proceder.
- Confirme que ninguna parte quede detrás del panel, cuando perfore un orificio para la instalación del amplificador. Asegúrese de proteger todos los cables y equipos importantes, tales como líneas de combustibles, líneas de frenos y el cableado eléctrico.
- NO permita que el amplificador entre en contacto con líquidos debido a, por ejemplo, la localización donde el amplificador esté instalado. Esto podría causar una sacudida eléctrica. El contacto con líquidos también podría causar daños y sobrecalentamiento al amplificador e altavoces. Además, la superficie del amplificador y la superficie de cualquier altavoz instalado también podrían ponerse muy calientes al tacto, pudiendo causar pequeñas quemaduras.

Ajuste de esta unidad

- Utilice un destornillador para ajustar el interruptor, si se requiere.

Cubierta de terminales

Antes de montar la unidad, desapriete los tornillos con una llave hexagonal de 4 mm y quite la cubierta de terminales.

Indicador de alimentación

El indicador de alimentación se ilumina cuando la unidad se encuentra activada.

Control de refuerzo de graves

Se puede seleccionar un nivel de refuerzo de graves de 0, 6, 9 y 12 dB.

Para las instrucciones acerca de la conexión del control remoto de refuerzo de graves al amplificador, consulte la sección "Diagrama de conexión".

Interruptor selector subsónico

El filtro subsónico corta las frecuencias inaudibles inferiores a 20 Hz, para eliminar las vibraciones indeseables y minimizar la pérdida de potencia.

Interruptor BFC (Control de la frecuencia de batido)

El interruptor BFC se encuentra en la parte inferior de la unidad. Si se oye un batido durante la escucha de una transmisión MW/LW con el equipo estéreo de automóvil, cambie el interruptor BFC utilizando un destornillador pequeño.

Interruptor MODE SELECT

Puede seleccionar el modo de sincronización de amplificador entre MASTER, SYNC y SYNC INV. Ajuste el interruptor MODE SELECT a la posición MASTER cuando utilice un amplificador solamente. Cuando utilice en sincronismo, conectando dos o más amplificadores en combinación, ajuste el primer amplificador a MASTER, y ajuste los amplificadores restantes a SYNC o SYNC INV de acuerdo con la forma en que estén conectados. La única vez que se cambia el amplificador al modo SYNC INV es cuando los amplificadores están conectados sincrónicamente con el puente externo. Cuando cambie el modo SYNC INV, debe quitar el sello sobre el interruptor MODE SELECT y podrá encontrar el interruptor SYNC INV. Quite el sello después de comprobar que las conexiones estén correctas. Consulte la sección “Conexión de los hilos de altavoz” para los detalles sobre el interruptor MODE SELECT.

Control de ganancia

Si el nivel del sonido está muy bajo, aún cuando se aumenta el volumen del equipo estéreo para automóvil usado con este amplificador de potencia, gire a la derecha el control de ganancia. Si hay distorsión del sonido cuando se aumenta el volumen del equipo estéreo de automóvil, gire los controles a la izquierda.

- Cuando se usa un estéreo de automóvil equipado con RCA (salida estándar de 500 mV), ajuste a la posición NORMAL. Cuando use con un estéreo de automóvil Pioneer equipado con RCA con una salida máxima de 4 V o más, ajuste el nivel para adecuarse al nivel de salida del estéreo del automóvil.
- Si se oye ruido excesivo cuando se usan los terminales de entrada de altavoz, gire el control de nivel a la izquierda.

Control de frecuencia de corte para LPF

Se puede seleccionar una frecuencia de corte de 40 Hz a 240 Hz.

Interruptor de entrada

Es posible introducir desde la salida exterior de un equipo estéreo de automóvil o desde la salida de altavoz de un equipo estéreo de automóvil. Cambie el interruptor de entrada antes de encender la unidad. Como cambiar el interruptor de entrada con la unidad encendida puede generar un ruido alto por los altavoces, la unidad se apaga por una función de protección. Cuando utilice una salida exterior, deslice el interruptor hacia la izquierda. Para las instrucciones de instalación, consulte la sección “Diagrama de conexión”. Cuando utilice una salida de altavoz, deslice el interruptor hacia la derecha. En este caso, es necesario utilizar el hilo de entrada de altavoz suministrado con el cable con conector RCA. Para los detalles, consulte la sección “Uso de la entrada de altavoz”.

Interruptor POWER MODE

Cuando utilice altavoces con una impedancia sintética de 2 a 8 Ω , deslice el interruptor hacia la derecha (NORMAL). Cuando utilice altavoces con una impedancia sintética de 1 Ω a menos de 2 Ω , deslice el interruptor hacia la izquierda (HI-CURRENT). Esas configuraciones se utilizan solamente cuando se utiliza un único amplificador. Consulte la sección “Conexión de los hilos de altavoz” cuando combine varios amplificadores.

Si la impedancia de los altavoces excede de 2 Ω (4 Ω cuando utilice el puente externo), mientras se pueda ajustar el interruptor POWER MODE a la posición HI-CURRENT, ajustar a la posición NORMAL permite el disfrute de un sonido de alta potencia.



PRECAUCION

- Quite el terminal negativo (–) de la batería para evitar riesgo de cortocircuitos y daño a la unidad.
- Asegure el alambrado con abrazaderas de cable o cinta adhesiva. Para proteger el alambrado, envuelva cinta adhesiva alrededor de ellos en donde contacta con partes metálicas.
- No tienda cables por donde puedan calentarse, por ejemplo donde el calentador sople sobre ellos. Si la aislación se calienta, podría resultar dañada, resultando en cortocircuito a través de la carrocería del vehículo.
- Asegúrese que los alambres no interfieran con partes móviles del vehículo como la palanca de cambios, el freno de mano o el mecanismo de deslizamiento de los asientos.



PRECAUCION:

Para evitar daños y/o lesiones

- No conecte a tierra (masa) el cable del altavoz directamente ni conecte un cable negativo (–) a varios altavoces.
- Esta unidad es para vehículos con una batería de 12 voltios y terminal negativo a tierra. Antes de instalar en un vehículo de recreación, camión u ómnibus, verifique el voltaje de la batería.
- Si el sistema estereofónico del coche está funcionando por un largo período de tiempo mientras el motor permanece inactivo o en marcha al ralentí, la batería puede agotarse. Apague el estéreo de automóvil cuando el motor se encuentre funcionando en marcha al ralenté o permanece inactivo.
- Si el cable del control remoto del sistema del amplificador se conecta al terminal de alimentación a través del interruptor de encendido (12 V de CC), el amplificador estará siempre activado cuando el encendido está activado, sin considerar si el estéreo de automóvil se encuentra activado o desactivado. Debido a esto, la batería puede agotarse si deja el motor funcionando en marcha al ralentí o permanece inactivo.
- NO conecte un altavoz de subgraves con una impedancia inferior a la especificada en la sección “Conexión de la unidad”. Una conexión no especificada podría causar daños, desprendimiento de humo y sobrecalentamiento del amplificador. La superficie del amplificador también podría ponerse caliente al tacto y esto podría resultar en quemaduras ligeras.

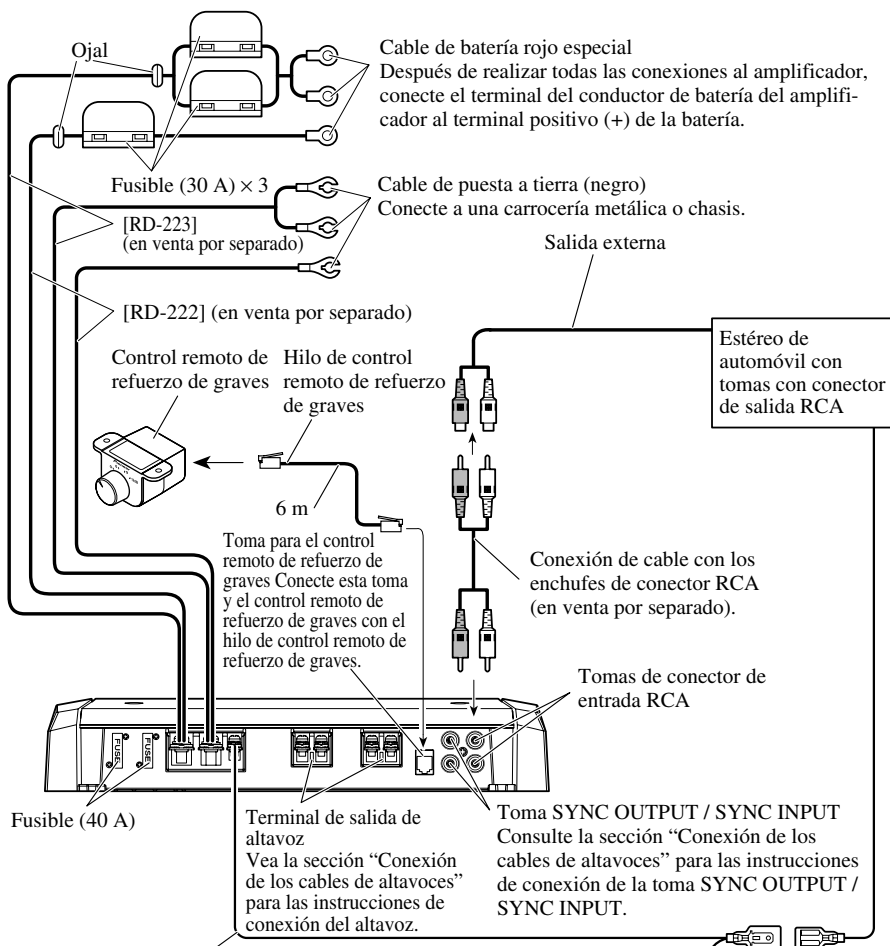
- No corte ningún cable. De otra manera, el circuito de protección podría no funcionar cuando debiera.
- Nunca alimente otro equipo cortando la aislación del cable de alimentación y conectándolo al cable. La capacidad de corriente del cable será excedida, causando sobrecalentamiento.
- No reemplace nunca el fusible por uno con un valor de régimen mayor que el fusible original. El uso de un fusible inadecuado podría causar el sobrecalentamiento o humo, así como podría causar daños al producto y lesiones, incluyendo quemaduras.

- Conecte uno de los tres altavoces de subgraves al amplificador; 1: un altavoz de subgraves con una entrada nominal de 420 W o mayor y una impedancia de 4 Ω , 2: un altavoz con una entrada nominal de 600 W y una impedancia de 2 Ω o 3: un altavoz con una entrada nominal de 600 W y una impedancia de 1 Ω . Si la entrada nominal y la impedancia están fuera de los rangos arriba, el altavoz de subgraves puede incendiarse, emitir humo o averiarse.
- Instale y coloque el cable de batería vendido separadamente lo más alejado posible de los cables de los altavoces. Instale y coloque el cable de batería y cable de tierra vendidos separadamente, los cables de los altavoces, y el amplificador lo más alejados posible de la antena, cable de antena y sintonizador.

- Los cables para esta unidad y aquéllas para las unidades pueden ser de colores diferentes aun si tienen la misma función. Cuando se conecta esta unidad a otra, refiérase a los manuales de ambas unidades y conecte los cables que tienen la misma función.

Diagrama de conexión

- Este diagrama muestra las conexiones utilizando la salida exterior. Deslice el interruptor de entrada hacia la izquierda.
- En el caso de conectar la salida externa de un equipo estéreo de automóvil a una entrada RCA, utilice la toma para la salida de gama completa. La razón para esto es que no se puede desactivar el LPF del amplificador. Si no se puede utilizar esta toma, conecte la tomada de salida el altavoz de subgraves a la entrada RCA.
- Cuando conecte con la salida de altavoz, las conexiones difieren de las indicadas en el diagrama. Para los detalles, consulte la sección "Uso de la entrada de altavoz". En cualquier caso, se requiere ajustar el interruptor de entrada. Para los detalles, consulte la sección "Ajuste de esta unidad".
- Siempre utilice el cable de batería rojo especial y los cables de tierra ([RD-223] y [RD-222]), vendidos separadamente. Conecte el cable de batería directamente al terminal positivo de la batería del vehículo (+) y el cable de tierra a la carrocería del vehículo. Existe el riesgo de quemado del fusible si se conecta solamente uno de ellos.



Cable del control remoto del sistema (en venta por separado)

Conecte el terminal macho de este hilo al terminal de control remoto de sistema del equipo estéreo para automóvil (SYSTEM REMOTE CONTROL). El terminal hembra puede ser conectado al terminal de control del relé de antena. Si el estéreo de automóvil no tiene un terminal de control remoto del sistema, conecte el terminal macho al terminal de alimentación a través del interruptor de encendido.

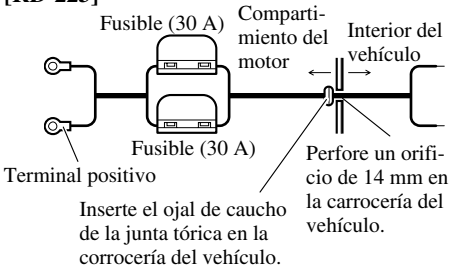
Conexión del terminal de alimentación

- Siempre utilice el cable de batería rojo especial y los cables de tierra ([RD-223] y [RD-222]), vendidos separadamente. Conecte el cable de batería directamente al terminal positivo de la batería del vehículo (+) y el cable de tierra a la carrocería del vehículo. Existe el riesgo de quemado del fusible si se conecta solamente uno de ellos.

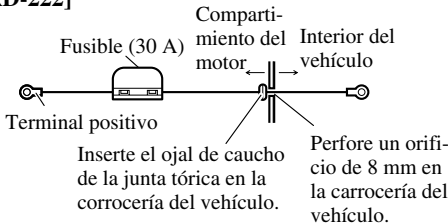
1. Pase el cable de batería desde el compartimiento del motor al interior del vehículo.

- Luego de hacer todas las otras conexiones al amplificador, conecte el terminal del conductor de batería del amplificador al terminal positivo (+) de la batería.

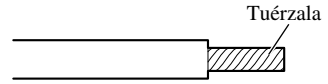
[RD-223]



[RD-222]

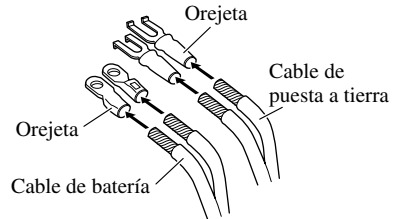


2. Tuerza el cable de batería, cable de puesta a tierra y cable de control remoto del sistema.



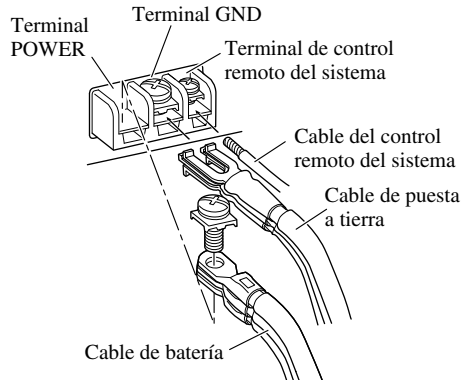
3. Fije las orejetas a los extremos de los cables. Orejetas no suministrados.

- Utilice alicates, etc. para plegar las orejetas a los cables.



4. Conecte los cables al terminal.

- Fijar los cables firmemente utilizando los tornillos para terminales.

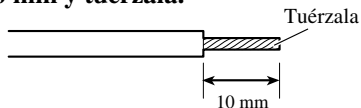


⚠ ADVERTENCIA

Dejar de apretar firmemente el cable de puesta a tierra al terminal usando los tornillos para terminales podría causar el sobrecalentamiento del área de los terminales, así como podría causar daños y lesiones incluyendo pequeñas quemaduras.

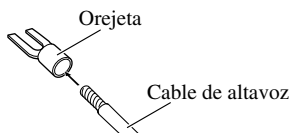
Conexión del terminal de salida de altavoz

1. **Desnude la extremidad de los cables de altavoces utilizando alicates o una tajadera por aproximadamente 10 mm y tuérzala.**



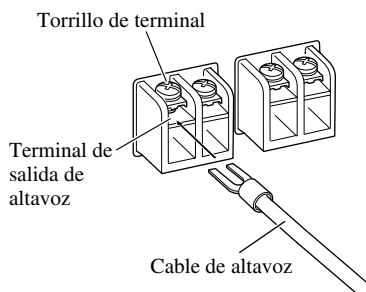
2. **Fije las orejetas a los extremos de los cables de altavoz. Orejetas no suministrados.**

- Utilice alicates, etc. para plegar las orejetas a los cables.



3. **Conecte los cables de altavoz al terminal de salida de altavoz.**

- Fije los cables firmemente utilizando los tornillos para terminales.

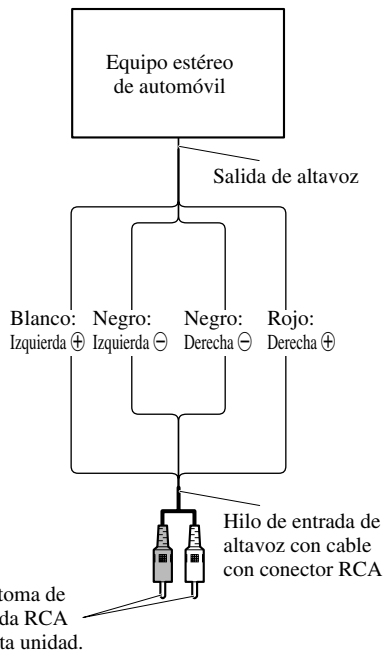


Uso de la entrada de altavoz

Conecte los hilos de salida de altavoz del equipo estéreo de automóvil al amplificador utilizando el hilo de entrada de altavoz suministrado con el cabo con conector RCA.

- Deslice el interruptor de entrada hacia la derecha.

■ Conexiones cuando se utiliza la entrada de altavoz



A la toma de entrada RCA de esta unidad.

- Cuando se conecta el hilo de salida de altavoz del equipo estéreo de automóvil al amplificador, el amplificador se enciende automáticamente cuando se enciende el equipo estéreo de automóvil. En este caso, no es necesario conectar el hilo de control remoto de sistema.
- Si se conecta el amplificador y la unidad principal con un hilo de entrada de altavoz con cable de clavija RCA, sólo se puede encender el amplificador cuando se está utilizando otro amplificador. Si dos o más amplificadores están conectados sincrónicamente en combinación, conecte la unidad principal y todos los amplificadores con el hilo de control remoto de sistema.

Nota:

- Conecte el hilo de control remoto de sistema cuando el amplificador no se enciende cuando se enciende el equipo estéreo de automóvil.

Conexión de los cables de altavoces

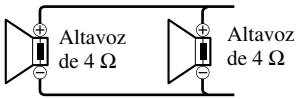
Conecte los hilos de altavoz y ajuste el interruptor MODE SELECT y el interruptor POWER MODE de acuerdo con la configuración que se utilice refiriéndose a las figuras que se muestran a continuación y en la página siguiente.

- Cuando conecte sincrónicamente dos o más amplificadores en combinación, utilice solamente estos amplificadores. No mezcle estos amplificadores con otros amplificadores.
- Cuando conecte sincrónicamente dos o más amplificadores en combinación, ajuste el control de ganancia, interruptor de selección subsónica, control de frecuencia de corte para LPF y control de refuerzo de graves en el amplificador que ha ajustado a MASTER con el interruptor MODE SELECT. Estas configuraciones se desactivan cuando se ajusta un amplificador a SYNC o SYNC INV.



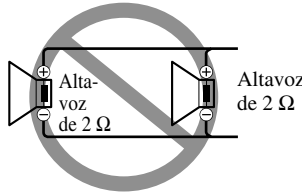
PRECAUCION

Diagrama A - Correcto



Modo de conexión en puente de 2 Ω

Diagrama B - Incorrecto



Modo de conexión en puente de 1 Ω

NO instale o use este amplificador mediante la conexión de los cables de las bocinas de 2 Ω nominales (o menos) en paralelo para lograr un modo en puente de 1 Ω (o menos) (Diagrama B).

Realizar un puente incorrecto podría resultar en un sobrecalentamiento y daño del amplificador, así como en un desprendimiento de humo del mismo. La superficie del amplificador podría también ponerse caliente al tacto y resultar en quemaduras ligeras.

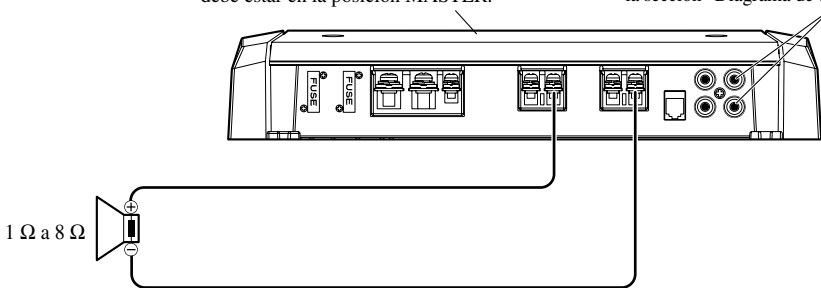
Para instalar o usar adecuadamente el modo de puente y lograr una carga de 2 Ω , conecte los cables de dos bocinas de 4 Ω en paralelo con Izquierdo + y Derecho - (Diagrama A), o use una sola bocina de 2 Ω . Si la impedancia sintética es de 2 Ω a menos de 4 Ω , asegúrese siempre de ajustar el introducir POWER MODE a la posición HI-CURRENT.

Además, consulte el manual de instrucciones de los altavoces para más información sobre el procedimiento correcto de conexión.

Amplificador simple

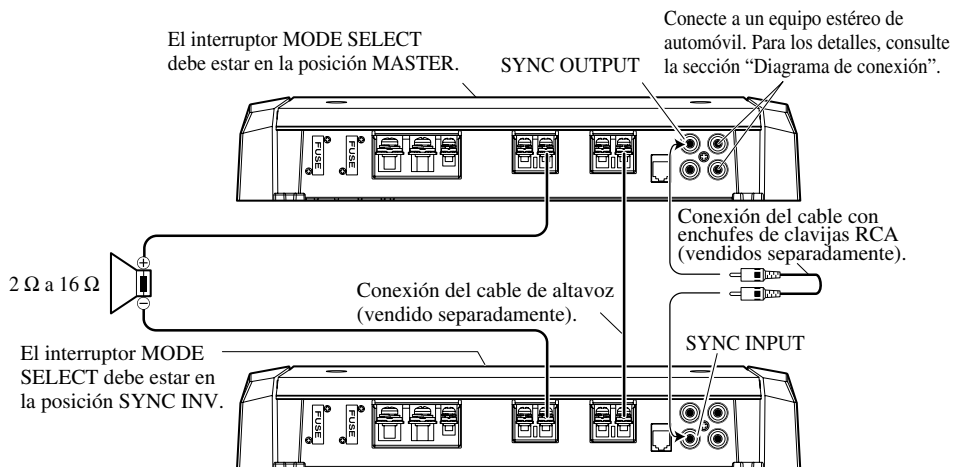
El interruptor MODE SELECT debe estar en la posición MASTER.

Conecte a un equipo estéreo de automóvil. Para los detalles, consulte la sección "Diagrama de conexión".



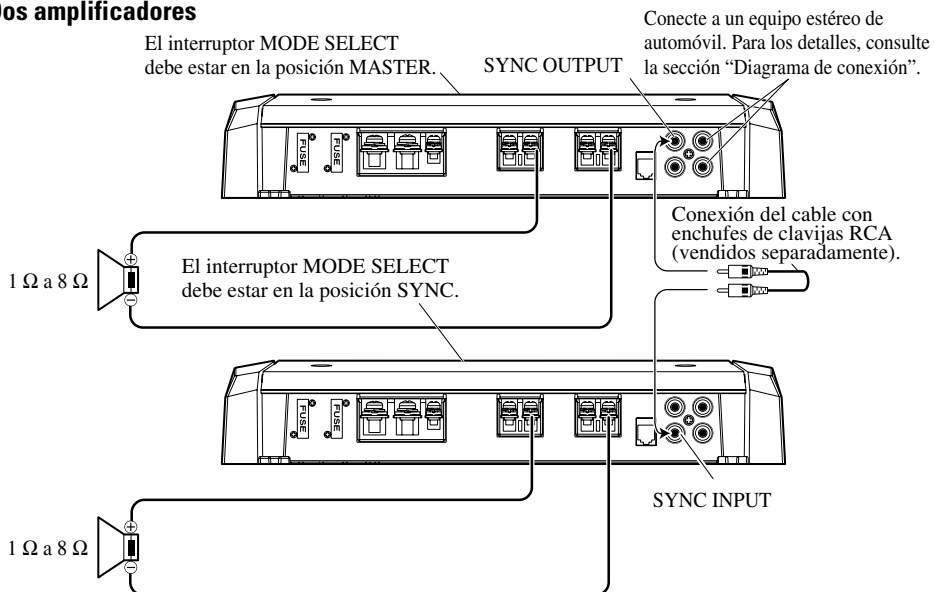
- Utilice altavoces con una impedancia de 1 Ω a 8 Ω .
- El ajuste del interruptor POWER MODE varía de acuerdo con la impedancia de los altavoces. Para los detalles, consulte la sección "Ajuste de esta unidad".

Dos amplificadores (Punto externo)



- Utilice solamente altavoces con una impedancia de 2 Ω a 16 Ω. Además, en el caso de conectar múltiples altavoces con un puente, compruebe que la impedancia sintética sea de por lo menos 2 Ω.
- El ajuste del interruptor POWER MODE varía de acuerdo con la impedancia de los altavoces. Deslice el interruptor POWER MODE a la posición HI-CURRENT si la impedancia es de 2 Ω a menos de 4 Ω, o deslícelo a la posición NORMAL si la impedancia es de 4 Ω a 16 Ω. Se utiliza la misma configuración para ambos amplificadores.
- Cuando cambie el modo SYNC INV, debe quitar el sello sobre el interruptor MODE SELECT y podrá encontrar el interruptor SYNC INV. Quite el sello después de comprobar que las conexiones estén correctas.

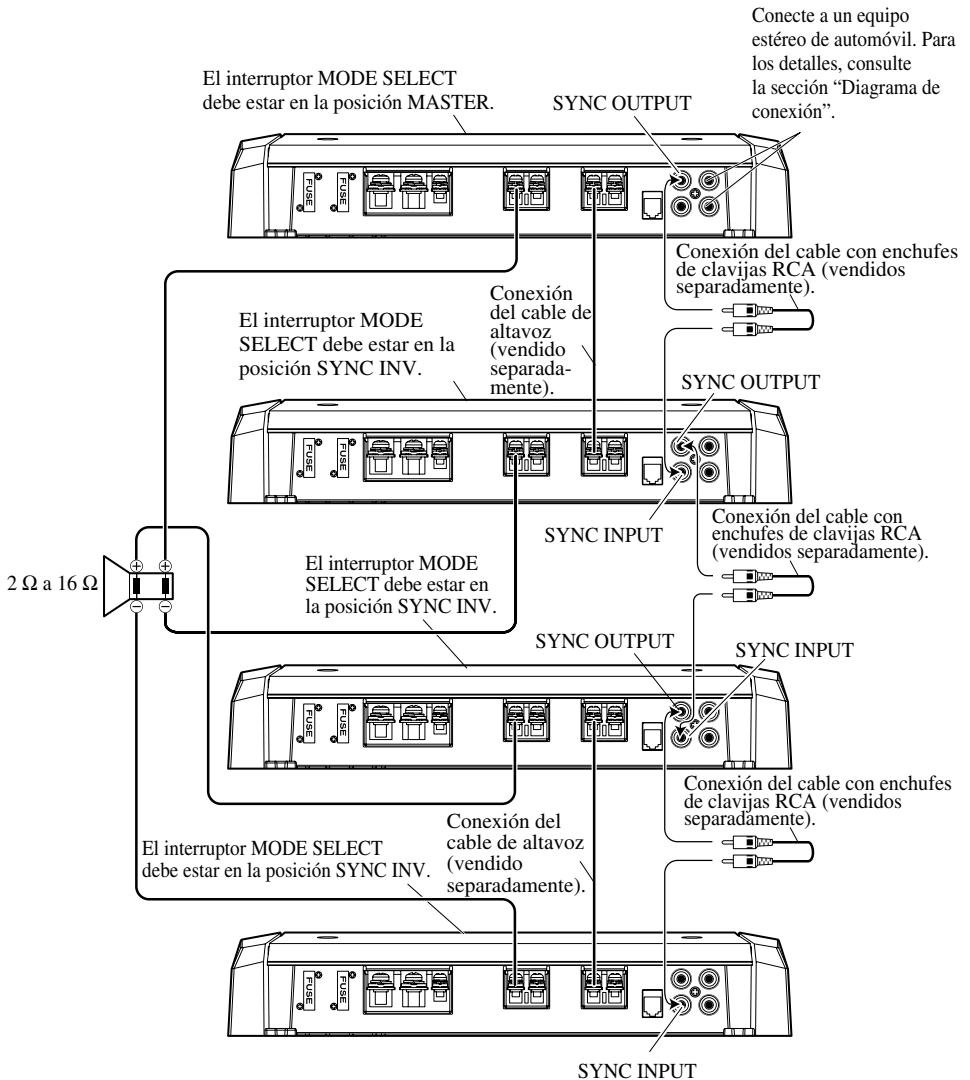
Dos amplificadores



- Utilice altavoces con una impedancia de 1 Ω a 8 Ω.
- El ajuste del interruptor POWER MODE varía de acuerdo con la impedancia de los altavoces. Para los detalles, consulte la sección "Ajuste de esta unidad". Se utiliza la misma configuración para ambos amplificadores.

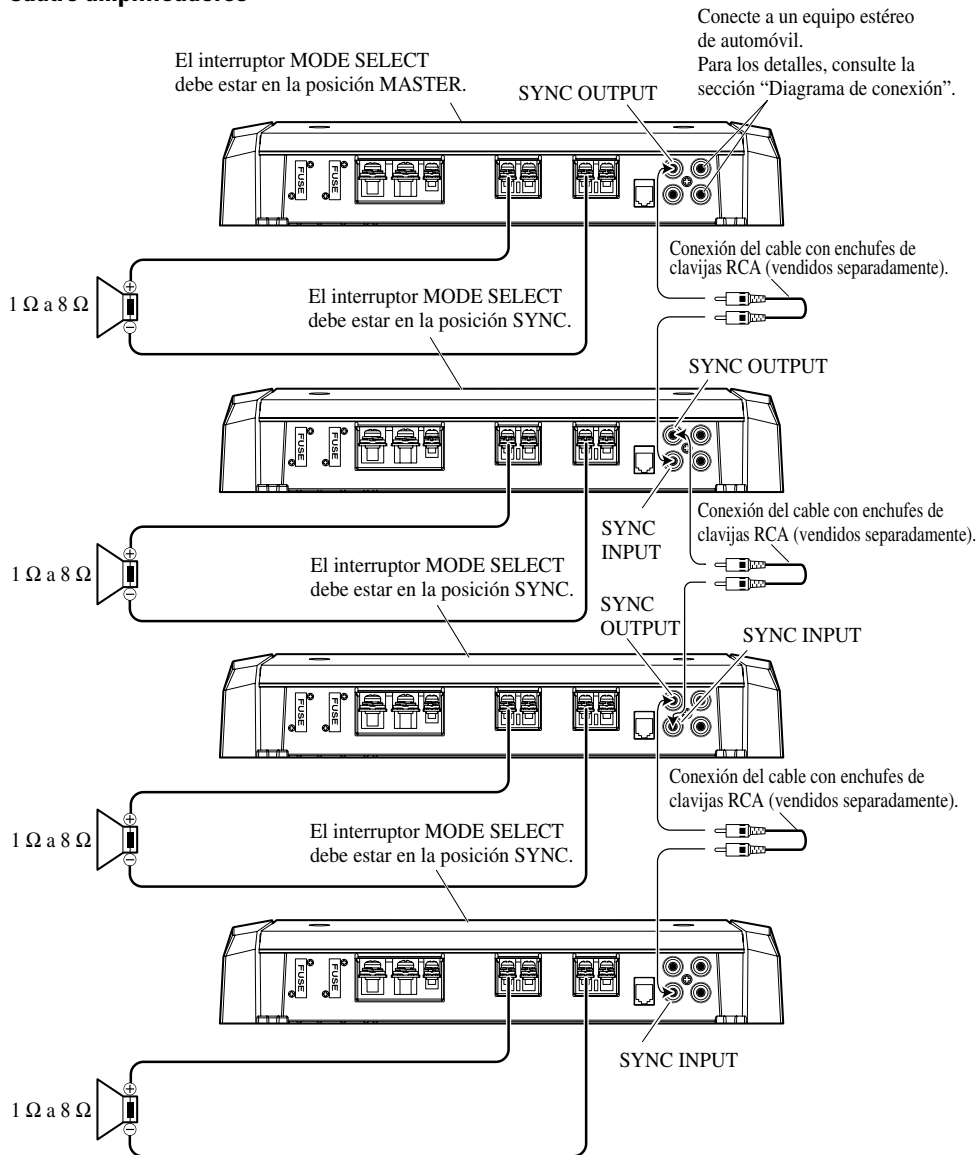
Conexión de la unidad

Cuatro amplificadores (Puente externo)



- Utilice solamente altavoces con una impedancia de 2 Ω a 16 Ω. Además, en el caso de conectar múltiples altavoces con un puente, compruebe que la impedancia sintética sea de por lo menos 2 Ω.
- El ajuste del interruptor POWER MODE varía de acuerdo con la impedancia de los altavoces. Deslice el interruptor POWER MODE a la posición HI-CURRENT si la impedancia es de 2 Ω a menos de 4 Ω, o deslícelo a la posición NORMAL si la impedancia es de 4 Ω a 16 Ω. Se utiliza la misma configuración para los cuatro amplificadores.
- Cuando cambie el modo SYNC INV, debe quitar el sello sobre el interruptor MODE SELECT y podrá encontrar el interruptor SYNC INV. Quite el sello después de comprobar que las conexiones estén correctas.

Cuatro amplificadores



- Utilice altavoces con una impedancia de 1 Ω a 8 Ω.
- El ajuste del interruptor POWER MODE varía de acuerdo con la impedancia de los altavoces. Para los detalles, consulte la sección "Ajuste de esta unidad". Se utiliza la misma configuración para los cuatro amplificadores.



PRECAUCION

- No lo instale en:
 - Donde podría lesionar al conductor o a los pasajeros si se detiene el vehículo bruscamente.
 - Donde podría interferir con el conductor, como por ejemplo en el piso en frente al asiento del conductor.
- Asegúrese que los cables no se enganchen en el mecanismo deslizante de los asientos, resultando en cortocircuito.
- Confirme que ninguna parte quede detrás del panel, cuando perforo un orificio para la instalación del amplificador. Asegúrese de proteger todos los cables y equipos importantes, tales como líneas de combustibles, líneas de frenos y el cableado eléctrico.
- Instale los tornillos de conexión de manera tal que la punta del tornillo no toque ningún cable. Esto es importante para evitar que los cables se corten por vibración del automóvil, lo que podría causar un incendio.
- NO permita que el amplificador entre en contacto con líquidos debido a, por ejemplo, la localización donde el amplificador esté instalado. Esto podría causar una sacudida eléctrica. El contacto con líquidos también podría causar daños y sobrecalentamiento al amplificador e altavoces. Además, la superficie del amplificador y la superficie de cualquier altavoz instalado también podrían ponerse muy calientes al tacto, pudiendo causar pequeñas quemaduras.
- Para asegurar una instalación apropiada, utilice las partes suministradas de la manera especificada. Si se utiliza cualquier otra parte que no sean las suministradas, puede dañarse las partes internas del amplificador, o pueden aflojarse y el amplificador puede dejar de funcionar.
- No reemplace nunca el fusible por uno con un valor de régimen mayor que el fusible original. El uso de un fusible inadecuado podría causar el sobrecalentamiento o humo, así como podría causar daños al producto y lesiones, incluyendo quemaduras.



PRECAUCION:

Para evitar fallas de funcionamiento y/o lesiones

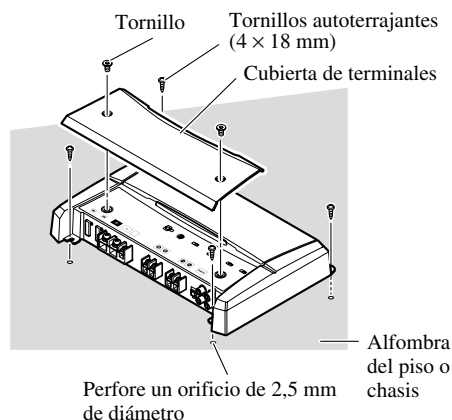
- Para asegurar la disipación de calor apropiada del amplificador, cuide de lo siguiente durante la instalación.
 - Permita un espacio adecuado en la parte superior del amplificador para una ventilación apropiada.
 - No cubra el amplificador con la cubierta de piso o alfombra.
- NO permita que el amplificador entre en contacto con líquidos debido a, por ejemplo, la localización donde el amplificador esté instalado. Esto podría causar una sacudida eléctrica. El contacto con líquidos también podría causar daños y sobrecalentamiento al amplificador e altavoces. Además, la superficie del amplificador y la superficie de cualquier altavoz instalado también podrían ponerse muy calientes al tacto, pudiendo causar pequeñas quemaduras.
- No instale el amplificador sobre superficies inestables como el tablero del neumático de repuesto.
- Confirme que ninguna parte quede detrás del panel, cuando perforo un orificio para la instalación del amplificador. Asegúrese de proteger todos los cables y equipos importantes, tales como líneas de combustibles, líneas de frenos y el cableado eléctrico.
- Realice primero conexiones provisionarias y compruebe que el amplificador y el sistema operan adecuadamente.
- Para asegurar una instalación apropiada, utilice las partes suministradas de la manera especificada. Si se utiliza cualquier otra parte que no sean las suministradas, puede dañarse las partes internas del amplificador, o pueden aflojarse y el amplificador puede dejar de funcionar.

Ejemplo de instalación en la alfombra del piso o en el chasis

1. Ubique el amplificador en la posición en donde va a ser instalado. Inserte los tornillos autoterrajantes suministrados (4×18 mm) en los orificios de los tornillos. Presione los tornillos con un destornillador de modo que puedan dejar puntos marcados de la posición en donde irán los orificios para la instalación.
2. Perfore orificios de 2,5 mm de diámetro en el punto marcado, e instale el amplificador, ya sea en la alfombra o directamente en el chasis.

Recolocación de la cubierta de terminales

1. Alinee la unidad y la cubierta de terminales, e inserte el tornillo.
2. Apriete el tornillo con una llave hexagonal de 4 mm.



Especificaciones

| | |
|--|--|
| Alimentación | 14,4 V CC (10,8 V a 15,1 V permisible) |
| Sistema de puesta a tierra | Tipo negativo |
| Consumo de corriente | 39 A (potencia continua, 4 Ω) |
| Consumo de corriente promedio* | 12 A (4 Ω para uno canal) 20 A (2 Ω para uno canal) 28 A (1 Ω para uno canal) |
| Fusible (externo) | 40 A \times 2 |
| Dimensiones | 304 (An) \times 56 (Al) \times 195 (Pr) mm |
| Peso | 2,9 kg (No se incluyen los conductores para el cableado) |
| Potencia de salida máxima | 800 W \times 1 (4 Ω) / 1 200 W \times 1 (1 Ω a 2 Ω) |
| Potencia continua (14,4 V) | Modo NORMAL: 4 Ω , 20 Hz a 240 Hz, \leq 1,0% THD, 400 W \times 1 2 Ω , 100 Hz, \leq 1,0% THD, 600 W \times 1 Modo HI-CURRENT: 4 Ω , 20 Hz a 240 Hz, \leq 1,0% THD, 150 W \times 1 2 Ω , 100 Hz, \leq 1,0% THD, 300 W \times 1 1 Ω , 100 Hz, \leq 1,0% THD, 600 W \times 1 |
| Impedancia de carga | 4 Ω (1 Ω a 8 Ω permisible) |
| Respuesta de frecuencia | 10 Hz a 240 Hz (+0 dB, -3 dB) |
| Relación S/N | 92 dB (rede IEC-A) |
| Distorsión | 0,5% (10 W, 100 Hz) |
| Filtro de paso bajo | Frecuencia de corte: 40 Hz a 240 Hz Pendiente de corte: -18 dB/oct |
| Filtro subsónico (HPF) | Frecuencia: 20 Hz Pendiente: -18 dB |
| Intensificación de los graves | Frecuencia: 50 Hz Nivel: 0 / 6 / 9 / 12 dB |
| Control de ganancia | RCA: 400 mV a 6,5 V SP: 1,6 V a 26 V |
| Impedancia / nivel de entrada máxima | RCA: 6,5 V / 22 k Ω SP: 26 V / 90 k Ω |

Nota:

- Las especificaciones y el diseño están sujetos a posibles modificaciones sin previo aviso debido a mejoramientos.

*Consumo de corriente promedio

- El consumo de corriente promedio es casi el consumo de corriente máximo de esta unidad, cuando se ingresa una señal de audio. Utilice este valor cuando tenga que trabajar con la corriente total consumida por múltiples amplificadores de potencia.

| | |
|--|-----------|
| Vor Gebrauch dieses Produkts | 1 |
| Unsere Website | 1 |
| Im Störfall | 2 |
| Über dieses Produkt | 2 |
| VORSICHT | 2 |
| WARNUNG | 2 |
| Einstellen dieses Geräts | 3 |
| Anschlussabdeckung | 3 |
| Stromanzeige | 3 |
| Subsonic-Wahlschalter | 3 |
| Bassverstärkungsregler | 3 |
| Interferenzschuttschalter (BFC) | 3 |
| MODE SELECT-Schalter | 4 |
| Verstärkungsregelung | 4 |
| Ausschaltfrequenz-Regelung für LPF | 4 |
| Eingangsschalter | 4 |
| Power Mode-Schalter | 4 |
| Anschluss der Einheit | 5 |
| Anschlusschema | 6 |
| Anschluss der Stromversorgung | 7 |
| Anschluss der Lautsprecher-Ausgang- Klemmen | 8 |
| Benutzung des Lautsprecher-Eingangs | 8 |
| Anschließen der Lautsprecherkabel | 9 |
| Einbau | 13 |
| Beispiel eines Einbaus auf einer Bodenmatte oder auf dem Rahmen | 14 |
| Wiederanbringen der Anschlussabdeckung | 14 |
| Technische Daten | 15 |

Vielen Dank für den Kauf dieses PIONEER Produkts. Diese Bedienungsanleitung vor der Inbetriebnahme sorgfältig durchlesen.



Mischen Sie dieses Produkt, wenn Sie es entsorgen wollen, nicht mit gewöhnlichen Haushaltsabfällen. Es gibt ein getrenntes Sammelsystem für gebrauchte elektronische Produkte, über das die richtige Behandlung, Rückgewinnung und Wiederverwertung gemäß der bestehenden Gesetzgebung gewährleistet wird.

Privathaushalte in den 25 Mitgliedsstaaten der EU, in der Schweiz und in Norwegen können ihre gebrauchten elektronischen Produkte an vorgesehenen Sammeleinrichtungen kostenfrei zurückgeben oder aber an einen Händler zurückgeben (wenn sie ein ähnliches neues Produkt kaufen).

Bitte wenden Sie sich in den Ländern, die oben nicht aufgeführt sind, hinsichtlich der korrekten Verfahrensweise der Entsorgung an die örtliche Kommunalverwaltung. Auf diese Weise stellen Sie sicher, dass das zu entsorgende Produkt der notwendigen Behandlung, Rückgewinnung und Wiederverwertung unterzogen wird, und so mögliche negative Einflüsse auf die Umwelt und die menschliche Gesundheit vermieden werden.

Unsere Website

Besuchen Sie uns auf folgender Website:



- Registrieren Sie Ihr Produkt. Wir speichern die Detaildaten Ihres Produktkaufs in einer Datei, sodass wir Ihnen diese Informationen bei Verlust oder Diebstahl des Produkts jederzeit für Ihre Versicherung bereitstellen können.
- Auf unserer Website finden Sie die jeweils neuesten Informationen der Pioneer Corporation.

Im Störfall

Bei Betriebsstörungen den Händler oder eine PIONEER-Kundendienststelle kontaktieren.

Über dieses Produkt

Bei diesem Produkt handelt es sich um einen Verstärker für den Subwoofer. Wenn sowohl der linke (L) als auch rechte (R) Kanal mit dem RCA-Eingang dieses Produkts verbunden ist, wird der Ausgang gemischt, da es sich bei diesem Produkt um einen Mono-Verstärker handelt.

VORSICHT

Ersetzen Sie die Sicherung niemals durch eine mit einem größeren Wert bzw. Nennwert, als die ursprüngliche Sicherung hatte. Der Gebrauch einer falschen Sicherung kann zu Heißlauf, Rauchentwicklung, Beschädigung des Produkts, Verbrennungen und anderen Verletzungen führen.

WARNUNG

- Nur das getrennt erhältliche rote Spezial-Batterie- und Massekabel ([RD-223] und [RD-222]) verwenden. Das Batteriekanal direkt an den Pluspol (+) der Wagenbatterie und das Massekabel an Karosseriemasse anschließen. Wenn nur einer dieser Anschlüsse vorgenommen wird, kann eine Sicherung durchbrennen.
- Fassen Sie den Verstärker nicht mit nassen Händen an, da Sie anderenfalls einen elektrischen Schlag erleiden können. Berühren Sie den Verstärker auch nicht, wenn dieser nass ist.
- Lassen Sie die Lautstärke so eingestellt, dass Sie beim Fahren noch Verkehrsgeräusche hören können. Es ist gefährlich, ein Fahrzeug zu führen, ohne Verkehrsgeräusche von außen hören zu können.
- Die Anschlüsse der Stromversorgung und der Lautsprecher überprüfen, wenn die Sicherung des getrennt erhältlichen Batteriekanals oder die Verstärker-Sicherung durchbrennt. Machen Sie die Ursache ausfindig, beheben Sie die Störung, und ersetzen Sie die Sicherung dann durch eine andere mit derselben Größe und demselben Nennwert.
- Zur Vermeidung von Schäden am Verstärker und den Lautsprechern unterbricht eine Schutzschaltung automatisch die Stromversorgung zum Verstärker (der Klang setzt aus), sobald ein anomaler Betriebszustand eintritt. Stellen Sie den Betriebsschalter in diesem Fall auf OFF, und überprüfen Sie die Stromversorgungs- und Lautsprecheranschlüsse. Ermitteln Sie die Ursache des Problems und schaffen Sie umgehend Abhilfe.
- Wenden Sie sich bitte an Ihren Fachhändler, falls sich die Ursache der Störung nicht klären lässt.
- Trennen Sie zur Vermeidung von elektrischen Schlägen und Kurzschlüssen bei der Inbetriebnahme des Gerätes vorher unbedingt das Anschlusskabel vom negativen (-) Batteriepol ab.
- Überzeugen Sie sich, dass sich keine Teile hinter der Konsole befinden, wenn Sie ein Loch zum Einbau des Verstärkers bohren. Achten Sie darauf, dass alle Kabel und wichtigen Teile wie Benzin- und Bremsleitungen und die elektrischen Kabelbäume geschützt sind.
- **ACHTEN** Sie darauf, dass der Verstärker **NICHT** mit Flüssigkeiten in Berührung kommen kann, zum Beispiel wegen eines ungünstigen Einbauplatzes. Ein elektrischer Schlag könnte die Folge sein. Berührung mit Flüssigkeiten kann auch zu einer Beschädigung von Verstärker und Lautsprechern, sowie zu Rauchbildung und Überhitzung führen. Außerdem können Oberflächen von Verstärker und jeglicher angebrachter Lautsprecher heiß werden, sodass bei Berührung kleinere Verbrennungen verursacht werden könnten.

Einstellen dieses Geräts

- Um den Schalter einzustellen, verwenden Sie, falls erforderlich, einen Schraubendreher.

Anschlussabdeckung

Vor der Installation lösen Sie die Schrauben mit einem 4-mm-Sechskantschlüssel und nehmen Sie die Anschlussabdeckung ab.

Stromanzeige

Die Stromanzeige leuchtet auf, wenn die Stromversorgung eingeschaltet wird.

Subsonic-Wahlschalter

Der Subsonic-Filter beschneidet nicht hörbare Frequenzen unter 20 Hz, um ungewünschte Vibrationen zu eliminieren und Leistungsverluste zu minimieren.

Bassverstärkungsregler

Als Bassverstärkungspegel können Sie entweder 0, 6, 9 oder 12 dB wählen. Anweisungen zum Anschluss der Bassverstärkungs-Fernbedienung an den Verstärker finden Sie im Abschnitt "Anschlussschema".

Interferenzschutzschalter (BFC)

Der BFC-Schalter befindet sich an der Unterseite des Geräts. Falls Sie bei MW/LW-Empfang mit Ihrer Auto-Stereoanlage Hintergrundgeräusche vernehmen, stellen Sie den BFC-Schalter mithilfe eines kleinen Schraubendrehers ein.

MODE SELECT-Schalter

Als Verstärker-Synchronisationsmodus kann MASTER, SYNC oder SYNC INV gewählt werden. Wenn nur ein Verstärker verwendet wird, stellen Sie den MODE SELECT-Schalter auf die Position MASTER. Bei Synchronverbindung von Verstärkern, zwei oder mehr kombiniert, stellen Sie den ersten Verstärker auf MASTER, die anderen auf SYNC oder SYNC INV, je nach Anschlussweise. Verstärkerschaltung auf den Modus SYNC INV erfolgt nur dann, wenn Verstärker synchron mit der ex. Brücke verbunden sind.

Zum Schalten auf den Modus SYNC INV muss das Siegel über dem MODE SELECT Schalter abgezogen werden, um Zugang zum SYNC INV-Schalter zu erhalten. Ziehen Sie das Siegel ab, nachdem Sie sich vergewissert haben, dass die Anschlüsse stimmen. Einzelheiten zum MODE SELECT-Schalter finden Sie im Abschnitt "Anschließen der Lautsprecherkabel".

Verstärkungsregelung

Wenn die Lautstärke zu schwach ist, selbst wenn der Lautstärkereglер der zusammen mit diesem Leistungsverstärker verwendeten Auto-Stereo-Anlage aufgedreht wird, drehen Sie den Verstärkungsregler im Uhrzeigersinn. Falls Klangverzerrungen auftreten, wenn die Lautstärke aufgedreht wird, drehen Sie den Verstärkungsregler im Gegenuhrzeigersinn.

- Bei Gebrauch mit einer mit RCA ausgestatteten Auto-Stereoanlage (Standard-Ausgang 500 mV) auf die Position NORMAL einstellen. Bei Gebrauch mit einer mit RCA ausgestatteten Pioneer-Auto-Stereoanlage mit einem maximalen Ausgang von 4 V oder mehr den Pegel dem Auto-Stereoanlagen-Ausgangspegel anpassen.
- Falls bei Gebrauch der Lautsprecher-Eingangsbuchsen zu starke Störungen auftreten, den Verstärkungsregler im Gegenuhrzeigersinn drehen.

Ausschaltfrequenz-Regelung für LPF

Sie können eine Ausschaltfrequenz zwischen 40 Hz und 240 Hz wählen.

Eingangsschalter

Eingang von einem externen Auto-Stereo-Ausgang oder einem Auto-Stereo-Lautsprecher-Ausgang ist möglich. Stellen Sie den Eingangsschalter ein, bevor Sie den Strom einschalten. Da Umstellen des Eingangsschalters bei eingeschaltetem Strom ein lautes Lautsprechergeräusch verursachen kann, wird der Strom durch eine Schutzfunktion abgeschaltet. Zur Verwendung eines externen Ausgangs legen Sie den Schalter nach links. Bezüglich Anschlussanweisungen siehe Abschnitt "Anschlussschema". Zur Verwendung eines Lautsprecher-Ausgangs legen Sie den Schalter nach rechts. In diesem Fall muss das mitgelieferte Lautsprecher-Eingangskabel mit RCA-Stiftkabel verwendet werden. Genaueres hierzu finden Sie im Abschnitt "Benutzung des Lautsprecher-Eingangs".

POWER MODE-Schalter

Bei Gebrauch von Lautsprechern mit einer synthetischen Impedanz von 2Ω bis 8Ω legen Sie den Schalter nach rechts (NORMAL). Bei Gebrauch von Lautsprechern mit einer synthetischen Impedanz von 1Ω bis weniger als 2Ω legen Sie den Schalter nach links (HI-CURRENT). Diese Einstellungen werden nur bei Gebrauch eines einzelnen Verstärkers verwendet. Bei kombiniertem Einsatz mehrerer Verstärker siehe unter "Anschließen der Lautsprecherkabel".

Wenn die Lautsprecherimpedanz 2Ω (4Ω bei Gebrauch von ex. Brücke) überschreitet, ermöglicht die Position NORMAL High Power-Sound, obwohl der POWER MODE-Schalter auf die Position HI-CURRENT eingestellt sein kann.

VORSICHT

- Trennen Sie das Batterieanschlusskabel vom negativen (-) Batteriepol, um Kurzschlüsse und Schäden am Gerät zu vermeiden.
- Befestigen Sie die Kabel mit Kabelklemmen oder Klebeband. Kabel, die Kontakt mit Metallteilen haben, sollten an den betreffenden Stellen mit Klebeband isoliert werden.
- Vermeiden Sie beim Verlegen der Kabel Plätze, an denen die Kabel Wärmeeinwirkung ausgesetzt sind, wie z.B. in der Nähe der Heizung. Derartige Wärmeeinwirkung kann zu einer Beschädigung der Kabelisolierung und schließlich zu Kurzschlüssen über die Fahrzeugkarosserie führen.
- Achten Sie darauf, dass keines der Kabel bewegliche Fahrzeugteile, wie z.B. den Schalthebel, die Handbremse oder den Sitzverstellhebel, behindert.
- Kürzen Sie die Kabel nicht. Gekürzte Kabel können einen Ausfall der Schutzschaltung verursachen.
- Leiten Sie niemals Strom an andere Geräte, indem Sie die Isolierung des Spannungsversorgungskabels dieses Gerätes freilegen und anzupfen. Die hieraus resultierende Überschreitung der Spannungsbelastungskapazität des Kabels hat Überhitzung zur Folge.
- Ersetzen Sie die Sicherung niemals durch eine mit einem größeren Wert bzw. Nennwert, als die ursprüngliche Sicherung hatte. Der Gebrauch einer falschen Sicherung kann zu Heißlauf, Rauchentwicklung, Beschädigung des Produkts, Verbrunnungen und anderen Verletzungen führen.

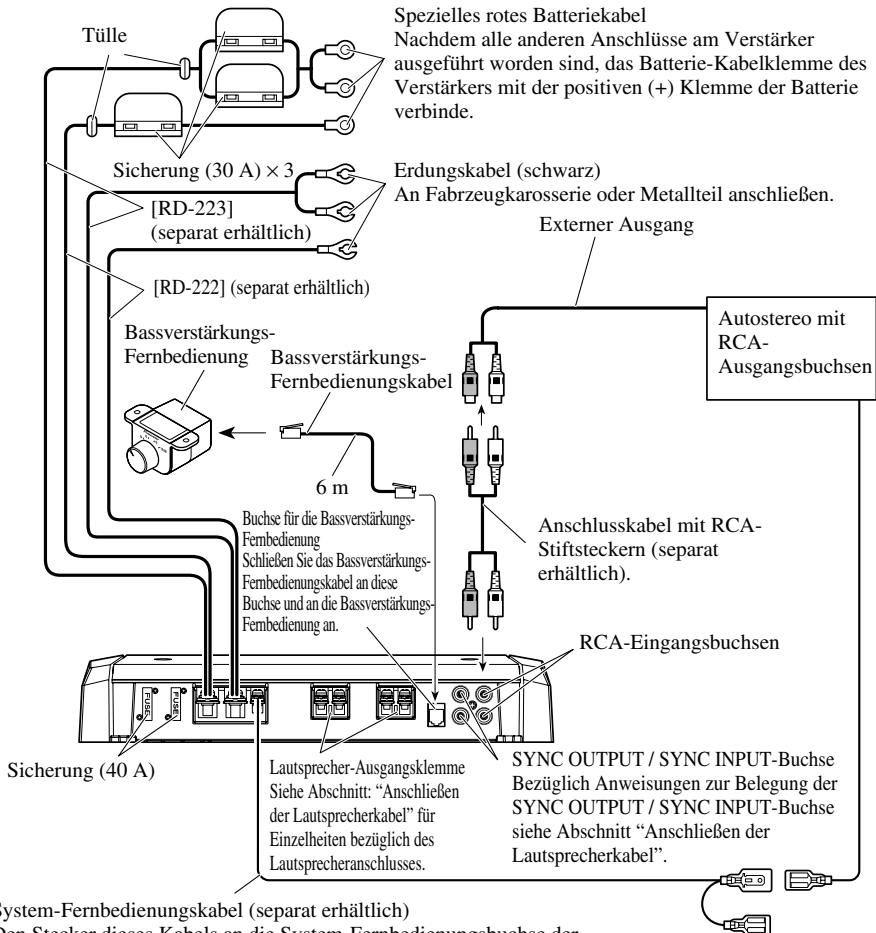
VORSICHT:

Zur Vermeidung von Schäden und/oder Verletzungen

- Keinesfalls das Lautsprecherkabel direkt erden oder einen negativen Anschluss (-) für mehrere Lautsprecher gleichzeitig anschließen.
- Dieses Gerät ist für Fahrzeuge mit einer 12 Volt Batterie und negativer Erdung bestimmt. Vor dem Einbau in ein Freizeitfahrzeug, Laster oder Bus, die Spannung der Batterie überprüfen.
- Wenn die Autostereoanlage längere Zeit eingeschaltet bleibt, während der Motor nicht oder nur im Leerlauf läuft, so könnte dies zu einer Entladung der Batterie führen. Schalten Sie Ihr Stereogerät aus, wenn der Motor im Leerlauf oder im Stillstand ist.
- Sollte die System-Fernbedienungskabel des Verstärkers am Stromanschluss über den Zündungsschalter angeschlossen sein (12 V Gleichspannung), so ist der Verstärker immer eingeschaltet, wenn die Zündung eingeschaltet wird, unabhängig davon, ob das Stereogerät ein- oder ausgeschaltet ist. In diesem Fall könnte es zu einer Entladung der Batterie kommen, wenn der Motor im Stillstand oder im Leerlauf betrieben wird.
- Schließen Sie KEINEN Subwoofer mit einer niedrigeren Impedanz als im Abschnitt "Anschluss der Einheit" angegeben an. Ein Anschluss, der nicht den Spezifikationen entspricht, kann zu einer Beschädigung, Rauchabgabe und Überhitzung des Verstärkers führen. Außerdem kann die Oberfläche des Verstärkers heiß werden und bei Berührung leichte Verbrennungen verursachen.
- Schließen Sie einen der genannten drei Subwoofer an den Verstärker an; 1: einen Subwoofer mit einem Nenneingang von 420 W oder höher und mit einer Impedanz von 4 Ω , 2: einen Subwoofer mit einem Nenneingang von 600 W oder höher und mit einer Impedanz von 2 Ω oder 3: einen Subwoofer mit einem Nenneingang von 600 W oder höher und mit einer Impedanz von 1 Ω . Wenn Nenneingang und Impedanz außerhalb dieser Bereiche liegen, kann der Subwoofer zu brennen beginnen, Rauch abgeben, oder beschädigt werden.
- Das getrennt erhältliche Batterie-kabel installieren und möglichst weit von den Lautsprecherkabeln entfernt verlegen. Getrennt erhältliches Batterie-kabel, Massekabel, Lautsprecherkabel und Verstärker möglichst weit von Antenne, Antennenkabel und Tuner entfernt installieren/verlegen.
- Kabel dieses Geräts und die anderer Geräte können unterschiedliche Farben haben, auch wenn sie die gleichen Funktionen haben. Beim Anschluss dieses Geräts an ein anderes Gerät unter Bezugnahme auf die mit beiden Geräten mitgelieferten Anleitungen die Kabel mit derselben Funktion verbinden.

Anschlussschema

- Dieses Schema zeigt die Anschlüsse für externen Ausgang. Legen Sie den Eingangsschalter nach links.
- Für den Anschluss des externen Ausgangs von einer Auto-Stereoanlage an einen RCA-Eingang verwenden Sie die Buchse für Vollbereichsausgang. Der Grund hierfür ist, dass das LPF des Verstärkers nicht ausgeschaltet werden kann. Wenn diese Buchse nicht verwendet werden kann, verbinden Sie die Subwoofer-Ausgangsbuchse mit dem RCA-Eingang.
- Bei Verbindung mit Lautsprecher-Ausgang unterscheiden sich die Anschlüsse von denen dieses Schemas. Genaueres hierzu finden Sie im Abschnitt "Benutzung des Lautsprecher-Eingangs". Der Eingangsschalter muss in jedem Fall eingestellt werden. Genaueres hierzu finden Sie im Abschnitt "Einstellen dieses Geräts".
- Nur das spezielle rote Batteriekabel und Massekabel ([RD-223] und [RD-222]) (Sonderzubehör) verwenden. Das Batteriekabel direkt an den Pluspol (+) der Wagenbatterie und das Massekabel an Karosseriemasse anschließen. Wenn nur einer dieser Anschlüsse vorgenommen wird, kann eine Sicherung durchbrennen.



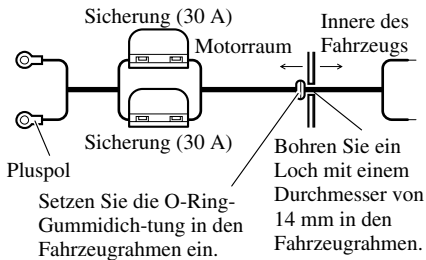
Anschluss der Stromversorgung

- Nur das spezielle rote Batteriekabel und Massekabel ([RD-223] und [RD-222]) (Sonderzubehör) verwenden. Das Batteriekabel direkt an den Pluspol (+) der Wagenbatterie und das Massekabel an Karosseriemasse anschließen. Wenn nur einer dieser Anschlüsse vorgenommen wird, kann eine Sicherung durchbrennen.

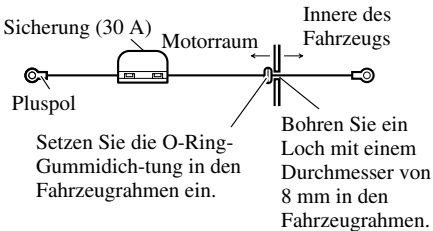
1. Führen Sie das Batteriekabel vom Motorraum in den Fahrgastraum.

- Nachdem alle Verkabelungen am Verstärker ausgeführt worden sind, verbinden Sie die Batterie-Kabelklemme des Verstärkers mit der positiven (+) Klemme der Batterie.

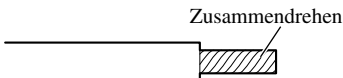
[RD-223]



[RD-222]

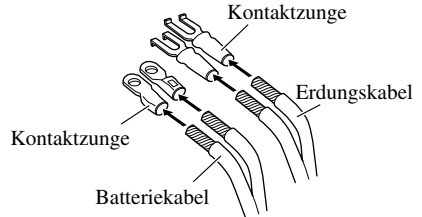


2. Verdrehen Sie Batteriekabel, Massekabel und System-Fernbedienungskabel.



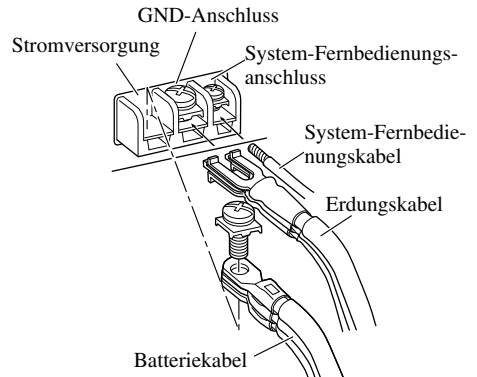
3. Bringen Sie Kabelschuhe an den Kabelenden an. Kontaktzungen nicht mitgeliefert.

- Mit einer Zange o.Ä. die Kontaktzungen am Draht festklemmen.



4. Die Drähte an die Klemme anschließen.

- Befestigen Sie die Drähte sicher mit den Klemmschrauben.

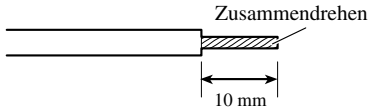


⚠️ WARNUNG

Wenn das Batteriekabel mit den Klemmschrauben nicht richtig befestigt wird, kann der Klemmenbereich heiß werden, wodurch Schäden und Verletzungen, wie Verbrennungen, verursacht werden können.

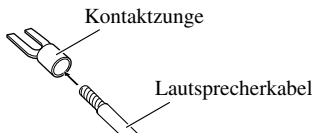
Anschluss der Lautsprecher-Ausgang-Klemmen

1. Die Enden der Lautsprecherkabel um ca. 10 mm mit einer Kneifzange oder einem Schneider abisolieren und die Kabelenden zusammendrehen.



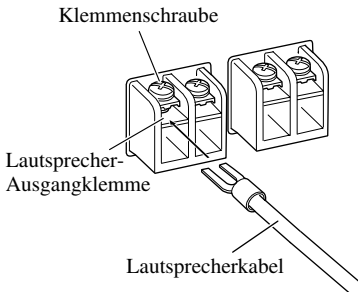
2. Bringen Sie Kabelschuhe an den Enden der Lautsprecherkabel an. Kontaktzungen nicht mitgeliefert.

- Mit einer Zange o.Ä. die Kontaktzungen am Draht festklemmen.



3. Schließen Sie die Lautsprecherkabel an die Lautsprecherausgangsklemmen an.

- Die Lautsprecherdrähte fest mit den Klemmschrauben befestigen.

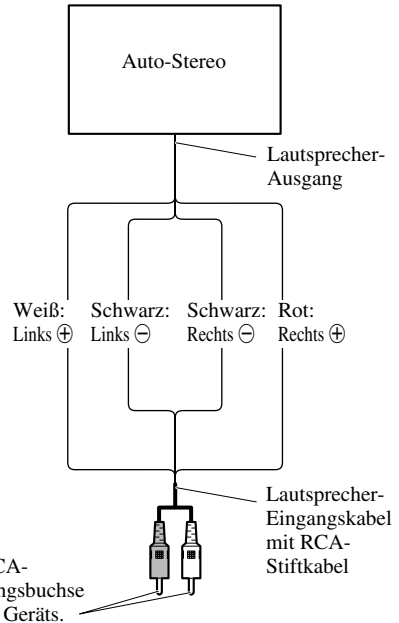


Benutzung des Lautsprecher-Eingangs

Schließen Sie die Auto-Stereo-Lautsprecher-Ausgangskabel mithilfe des mitgelieferten Lautsprecher-Eingangskabels mit RCA-Stiftkabel an den Verstärker an.

- Legen Sie den Eingangsschalter nach rechts.

■ Anschlüsse bei Benutzung des Lautsprecher-Eingangs



- Bei Anschluss des Auto-Stereo-Lautsprecher-Ausgangskabels am Verstärker wird dieser automatisch eingeschaltet, wenn die Auto-Stereoanlage eingeschaltet wird. In diesem Fall erübrigt sich der Anschluss des System-Fernbedienungskabels.
- Falls Verstärker und Hauptgerät mit einem Lautsprechereingangskabel mit RCA-Stiftkabel verbunden sind, wird der Verstärkerstrom nur dann eingeschaltet, wenn ein Verstärker verwendet wird. Bei Synchronverbindung von Verstärkern, zwei oder mehr kombiniert, schließen Sie das Hauptgerät und alle Verstärker mit dem Systemfernbedienungskabel an.

Hinweis:

- Schließen Sie das System-Fernbedienungskabel an, wenn der Verstärker nicht automatisch mit der Auto-Stereoanlage eingeschaltet wird.

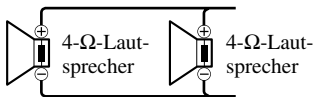
Anschließen der Lautsprecherkabel

Schließen Sie die Lautsprecherkabel so an, und stellen Sie die Schalter MODE SELECT sowie POWER MODE so ein, wie es der gewünschten Konfiguration gemäß den unten und auf der nächsten Seite gezeigten Abbildungen entspricht.

- Bei Synchronverbindung von Verstärkern, zwei oder mehr kombiniert, verwenden Sie nur diese Verstärker. Setzen Sie diese Verstärker nicht gleichzeitig mit anderen Verstärkern ein.
- Bei Synchronverbindung von Verstärkern, zwei oder mehr kombiniert, stellen Sie Verstärkungsregler, Subsonic-Wahlschalter, Grenzfrequenzregler für LPF und Bassverstärkungsregler an dem Verstärker ein, der mit dem MODE SELECT-Schalter auf MASTER geschaltet worden ist. Bei einem auf SYNC oder SYNC INV geschalteten Verstärker können diese Einstellungen nicht vorgenommen werden.

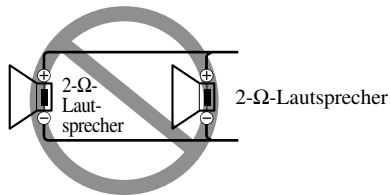
VORSICHT

Diagramm A - Richtig



2-Ω-Überbrückungsmodus

Diagramm B - Falsch



1-Ω-Überbrückungsmodus

Diesen Verstärker NICHT mit parallel verdrahteten Lautsprechern mit einer Nennimpedanz von 2 Ω (oder darunter) einbauen oder verwenden, um einen Überbrückungsmodus von 1 Ω (oder darunter) zu erzielen (Diagramm B).

Falsche Überbrückung kann den Verstärker beschädigen und zu Rauchbildung und Überhitzung führen. Außerdem kann die Oberfläche des Verstärkers heiß werden und beim Anfassen leichte Verbrennungen verursachen.

Für korrekte Installation oder Verwendung eines Überbrückungsmodus und Erzielung einer 2-Ω-Last, verdrahten Sie zwei 4-Ω-Lautsprecher parallel mit Links + und Rechts - (Diagramm A), oder verwenden Sie einen einzelnen 2-Ω-Lautsprecher.

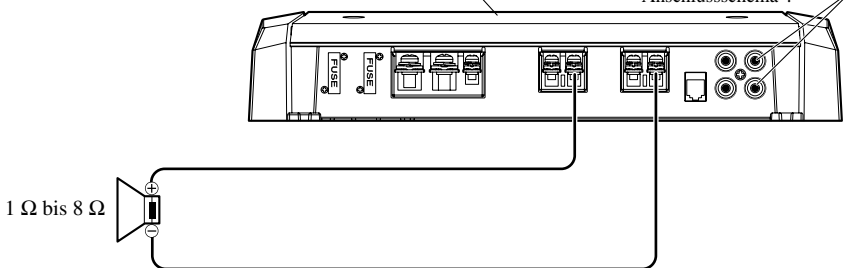
Wenn die synthetische Impedanz zwischen 2 Ω und weniger als 4 Ω liegt, vergewissern Sie sich stets, dass der POWER MODE-Schalter auf die Position HI-CURRENT eingestellt ist.

Lesen Sie außerdem in der Lautsprecheranleitung nach, wie der Anschluss vorzunehmen ist.

Einzelverstärker

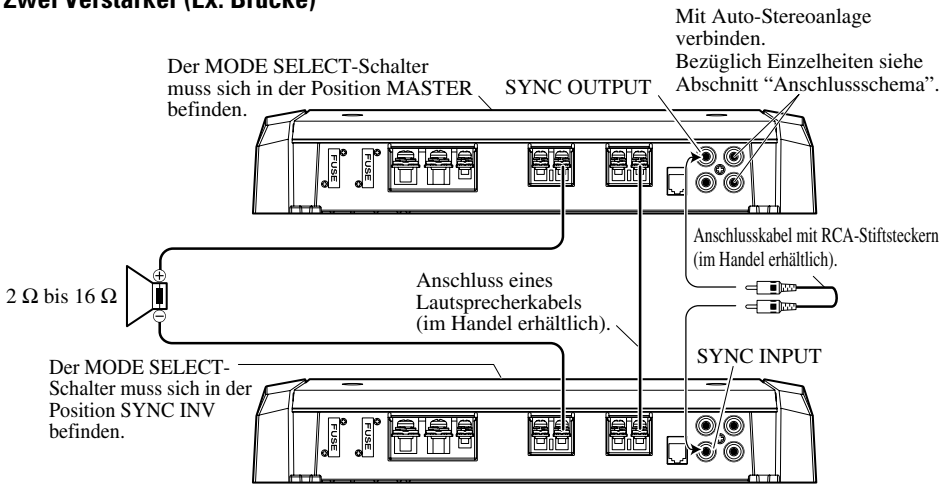
Der MODE SELECT-Schalter muss sich in der Position MASTER befinden.

Mit Auto-Stereoanlage verbinden. Bezüglich Einzelheiten siehe Abschnitt "Anschlussschema".



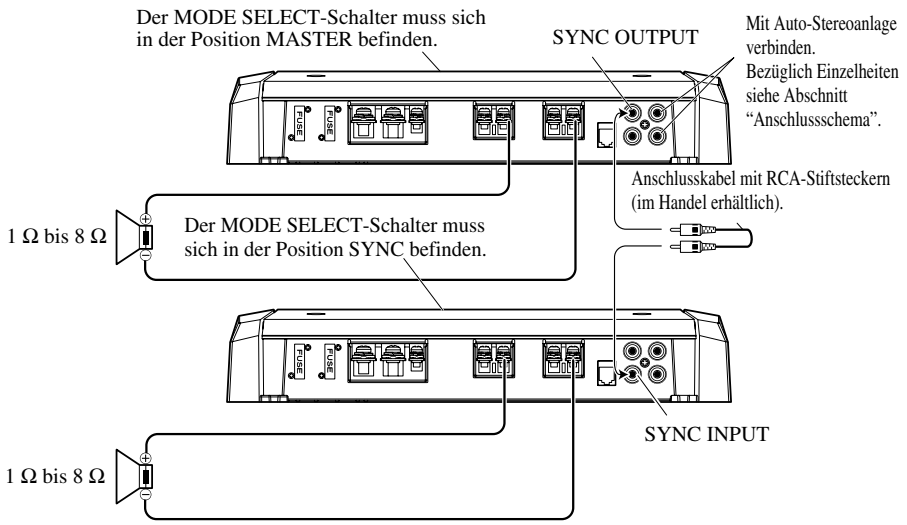
- Verwenden Sie Lautsprecher mit einer Impedanz zwischen 1 Ω und 8 Ω.
- Die Einstellung des POWER MODE-Schalters hängt von der Lautsprecherimpedanz ab. Genaueres hierzu finden Sie im Abschnitt "Einstellen dieses Geräts".

Zwei Verstärker (Ex. Brücke)



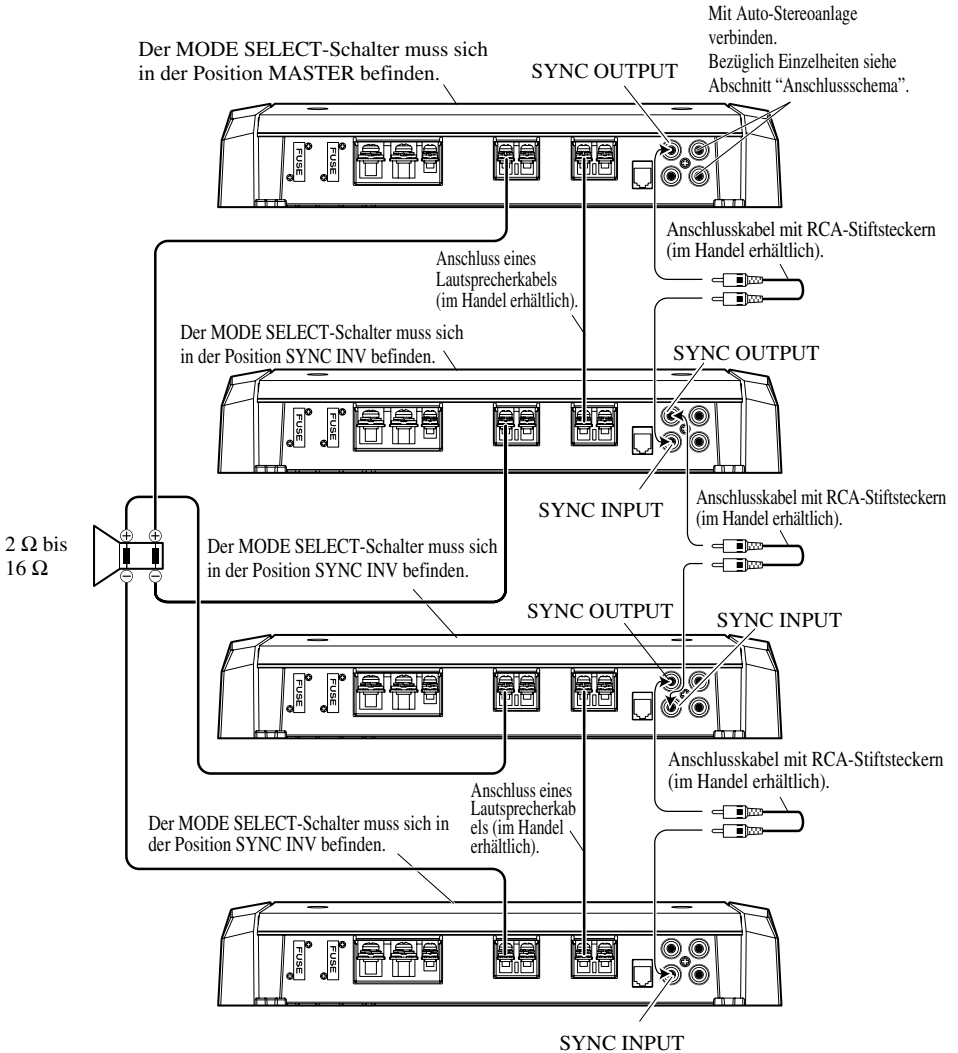
- Verwenden Sie nur Lautsprecher mit einer Impedanz zwischen 2 Ω und 16 Ω. Im Falle eines Anschlusses mehrerer Lautsprecher mit einer Brücke vergewissern Sie sich außerdem, dass die synthetische Impedanz mindestens 2 Ω beträgt.
- Die Einstellung des POWER MODE-Schalters hängt von der Lautsprecherimpedanz ab. Für eine Impedanz zwischen 2 Ω und weniger als 4 Ω stellen Sie den POWER MODE-Schalter auf HI-CURRENT, für eine Impedanz zwischen 4 Ω und 16 Ω stellen Sie ihn auf NORMAL. Für beide Verstärker wird dieselbe Einstellung verwendet.
- Zum Schalten auf den Modus SYNC INV muss das Siegel über dem MODE SELECT Schalter abgezogen werden, um Zugang zum SYNC INV-Schalter zu erhalten. Ziehen Sie das Siegel ab, nachdem Sie sich vergewissert haben, dass die Anschlüsse stimmen.

Zwei Verstärker



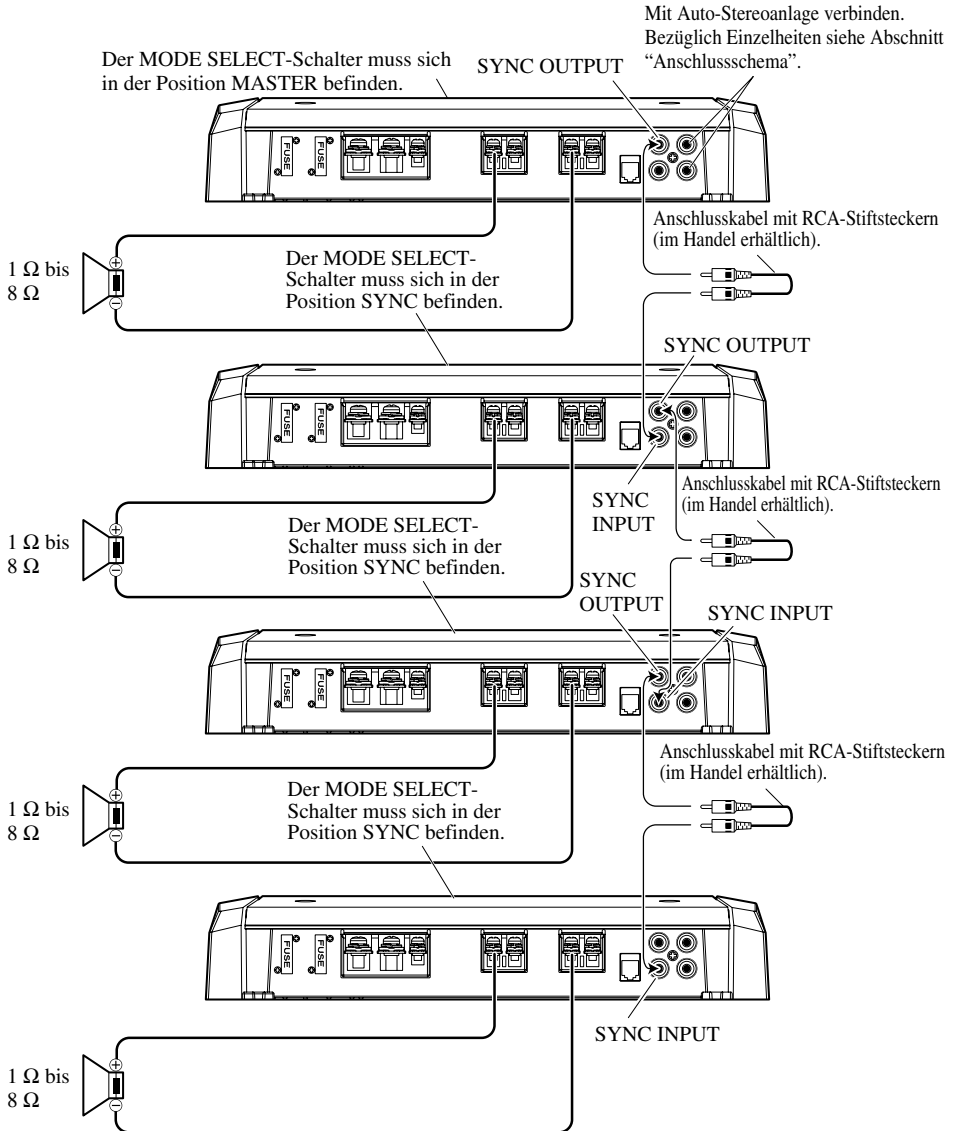
- Verwenden Sie Lautsprecher mit einer Impedanz zwischen 1 Ω und 8 Ω.
- Die Einstellung des POWER MODE-Schalters hängt von der Lautsprecherimpedanz ab. Genaueres hierzu finden Sie im Abschnitt "Einstellen dieses Geräts". Für beide Verstärker wird dieselbe Einstellung verwendet.

Vier Verstärker (Ex. Brücke)



- Verwenden Sie nur Lautsprecher mit einer Impedanz zwischen 2 Ω und 16 Ω. Im Falle eines Anschlusses mehrerer Lautsprecher mit einer Brücke vergewissern Sie sich außerdem, dass die synthetische Impedanz mindestens 2 Ω beträgt.
- Die Einstellung des POWER MODE-Schalters hängt von der Lautsprecherimpedanz ab. Für eine Impedanz zwischen 2 Ω und weniger als 4 Ω stellen Sie den POWER MODE-Schalter auf HI-CURRENT, für eine Impedanz zwischen 4 Ω und 16 Ω stellen Sie ihn auf NORMAL. Dieselbe Einstellung wird für vier Verstärker verwendet.
- Zum Schalten auf den Modus SYNC INV muss das Siegel über dem MODE SELECT Schalter abgezogen werden, um Zugang zum SYNC INV-Schalter zu erhalten. Ziehen Sie das Siegel ab, nachdem Sie sich vergewissert haben, dass die Anschlüsse stimmen.

Vier Verstärker



- Verwenden Sie Lautsprecher mit einer Impedanz zwischen 1 Ω und 8 Ω .
- Die Einstellung des POWER MODE-Schalters hängt von der Lautsprecherimpedanz ab. Genauerer hierzu finden Sie im Abschnitt "Einstellen dieses Geräts". Dieselbe Einstellung wird für vier Verstärker verwendet.



VORSICHT

- Keinesfalls an Orten einbauen:
 - Plätze, an denen sich der Fahrer oder die Fahrzeuginsassen bei plötzlichem Abbremsen am Gerät verletzen könnten.
 - Plätze, an denen das Gerät den Fahrer behindern könnte, wie z.B. auf dem Boden vor der Fahrersitz.
- Achten Sie darauf, dass sich die Anschlusskabel nicht im Schiebemechanismus der Sitze verklemmen und auf diese Weise einen Kurzschluss verursachen.
- Bestätigen Sie vor dem Bohren, dass sich hinter der Konsole keine Teile befinden, die nicht beschädigt werden dürfen. Schützen Sie alle Kabel und wichtigen Teile wie Benzinleitungen und Bremsleitungen und elektrischen Leitungen vor Schäden.
- Bringen Sie Schneidschrauben so an, dass die Schraubenspitze keines der Kabel berührt. Andernfalls können die Kabel durch die Vibrationen des Fahrzeugs beschädigt werden und Brände verursachen.
- **ACHTEN** Sie darauf, dass der Verstärker **NICHT** mit Flüssigkeiten in Berührung kommen kann, zum Beispiel wegen eines ungünstigen Einbauplatzes. Ein elektrischer Schlag könnte die Folge sein. Berührung mit Flüssigkeiten kann auch zu einer Beschädigung von Verstärker und Lautsprechern, sowie zu Rauchbildung und Überhitzung führen. Außerdem können Oberflächen von Verstärker und jeglicher angebrachter Lautsprecher heiß werden, sodass bei Berührung kleinere Verbrennungen verursacht werden könnten.
- Um einen ordnungsgemäßen Einbau zu gewährleisten, verwenden Sie die mitgelieferten Teile wie spezifiziert. Falls andere Teile außer den spezifizierten verwendet werden, so könnten innere Teile des Verstärkers beschädigt werden oder diese könnten sich lösen, und der Verstärker sich ausschalten.
- Ersetzen Sie die Sicherung niemals durch eine mit einem größeren Wert bzw. Nennwert, als die ursprüngliche Sicherung hatte. Der Gebrauch einer falschen Sicherung kann zu Heißlauf, Rauchentwicklung, Beschädigung des Produkts, Verbrennungen und anderen Verletzungen führen.



VORSICHT:

Zur Vermeidung von Funktionsstörungen und/oder Verletzungen

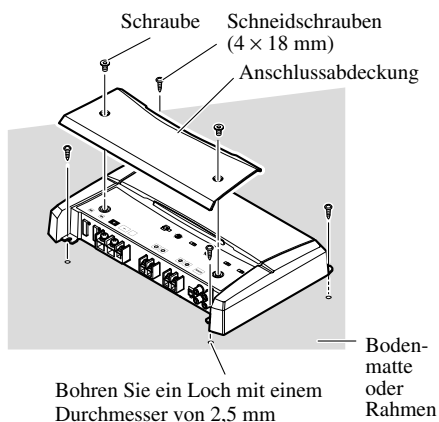
- Beachten Sie zur Gewährleistung ausreichender Wärmeableitung beim Einbau die folgende Punkte.
 - Lassen Sie genügend Freiraum über dem Verstärker, damit richtige Ventilation gewährleistet ist.
 - Decken Sie den Verstärker nicht mit einer Bodenmatte oder einem Teppich ab.
- **ACHTEN** Sie darauf, dass der Verstärker **NICHT** mit Flüssigkeiten in Berührung kommen kann, zum Beispiel wegen eines ungünstigen Einbauplatzes. Ein elektrischer Schlag könnte die Folge sein. Berührung mit Flüssigkeiten kann auch zu einer Beschädigung von Verstärker und Lautsprechern, sowie zu Rauchbildung und Überhitzung führen. Außerdem können Oberflächen von Verstärker und jeglicher angebrachter Lautsprecher heiß werden, sodass bei Berührung kleinere Verbrennungen verursacht werden könnten.
- Bauen Sie den Verstärker nicht an unstablen Plätzen ein, wie z.B. auf dem Ersatzreifenhalter.
- Die beste Einbauposition ist je nach Autotyp unterschiedlich. Befestigen Sie den Verstärker an einem sicheren Platz.
- Führen Sie vorübergehende Anschlüsse zuerst durch, und stellen Sie sicher, dass der Verstärker und das System sicher funktionieren.
- Achten Sie nach dem Einbau des Verstärkers darauf, dass Ersatzreifen, Wagenheber und Werkzeuge noch leicht zugänglich sind.

Beispiel eines Einbaus auf einer Bodenmatte oder auf dem Rahmen

1. Legen Sie den Verstärker auf die Stelle, an welcher dieser eingebaut werden soll. Setzen Sie die mitgelieferten Schneidschrauben (4×18 mm) in die Schraubenlöcher ein. Drücken Sie die Schrauben mit einem Schraubenzieher, sodass diese Markierungen hinterlassen, wo diese eingesetzt werden sollen.
2. Bohren Sie Löcher mit einem Durchmesser von 2,5 mm an den zuvor markierten Punkten, und bringen Sie den Verstärker an, entweder direkt am Teppich oder am Rahmen.

Wiederanbringen der Anschlussabdeckung

1. Richten Sie die Anschlussabdeckung auf das Gerät aus und setzen Sie die Schraube ein.
2. Ziehen Sie die Schraube mit einem 4-mm-Sechskantschlüssel fest.



| | |
|--|--|
| Stromversorgung | 14,4 V Gleichspannung (Toleranz 10,8 V bis 15,1 V) |
| Erdungssystem | Negativ |
| Leistungsaufnahme | 39 A (bei gleich bleibendem Strom, 4 Ω) |
| Durchschnittliche Stromentnahme* | 12 A (4 Ω für ein Kanal) 20 A (2 Ω für ein Kanal) 28 A (1 Ω für ein Kanal) |
| Sicherung (extern) | 40 A × 2 |
| Abmessungen | 304 (B) × 56 (H) × 195 (T) mm |
| Gewicht | 2,9 kg (Kabel nicht eingeschlossen) |
| Max. Ausgangsleistung | 800 W × 1 (4 Ω) / 1 200 W × 1 (1 Ω bis 2 Ω) |
| Dauerleistung (14,4 V) | Modus NORMAL: 4 Ω, 20 Hz bis 240 Hz, ≤ 1,0% THD, 400 W × 1 2 Ω, 100 Hz, ≤ 1,0% THD, 600 W × 1 Modus HI-CURRENT: 4 Ω, 20 Hz bis 240 Hz, ≤ 1,0% THD, 150 W × 1 2 Ω, 100 Hz, ≤ 1,0% THD, 300 W × 1 1 Ω, 100 Hz, ≤ 1,0% THD, 600 W × 1 |
| Verbraucher-Impedanz | 4 Ω (1 Ω bis 8 Ω zulässig) |
| Frequenzgang | 10 Hz bis 240 Hz (+0 dB, -3 dB) |
| Rauschabstand | 92 dB (IEC-A-Netz) |
| Verzerrungen | 0,5% (10 W, 100 Hz) |
| Tiefpassfilter | Trennfrequenz: 40 Hz bis 240 Hz Trennkurve: -18 dB/oct |
| Subsonic-Filter (HPF) | Frequenz: 20 Hz Kurve: -18 dB |
| Bassverstärkung | Frequenz: 50 Hz Pegel: 0 / 6 / 9 / 12 dB |
| Verstärkungsregelung | RCA: 400 mV bis 6,5 V SP: 1,6 V bis 26 V |
| Max. Eingangsstufe / Impedanz | RCA: 6,5 V / 22 kΩ SP: 26 V / 90 kΩ |

Hinweis:

- Änderungen der technischen Daten und des Designs jederzeit vorbehalten.

*Durchschnittliche Stromentnahme

- Die durchschnittliche Stromentnahme entspricht fast der maximalen Stromentnahme dieses Gerätes, wenn ein Audiosignal eingegeben wird. Verwenden Sie diesen Wert, wenn Sie die Gesamtstromentnahmen für mehrere Leistungsverstärker berechnen wollen.

| | |
|---|-----------|
| Avant d'utiliser cet appareil | 1 |
| Visitez notre site Web | 1 |
| En cas d'anomalie | 2 |
| Quelques mots concernant cet appareil | 2 |
| PRÉCAUTION | 2 |
| ATTENTION | 2 |
| Réglage de l'appareil | 3 |
| Couvre-bornes | 3 |
| Témoin d'alimentation | 3 |
| Sélecteur infrasonore | 3 |
| Commande de l'accentuation des graves | 3 |
| Interrupteur BFC (Commande de fréquence de battement) | 3 |
| Commutateur MODE SELECT | 4 |
| Commande du gain | 4 |
| Commande de la fréquence de coupure pour LPF | 4 |
| Sélecteur d'entrée | 4 |
| Commutateur POWER MODE | 4 |
| Raccordement de l'appareil | 5 |
| Schéma de raccordement | 6 |
| Raccordement de la borne d'alimentation | 7 |
| Raccordement des bornes de sortie vers les haut-parleurs | 8 |
| Utilisation de l'entrée de haut-parleur | 8 |
| Connexion des câbles des haut-parleurs | 9 |
| Installation | 13 |
| Exemple d'installation sur le tapis de sol ou sur le châssis | 14 |
| Remise en place du couvre-bornes | 14 |
| Caractéristiques techniques | 15 |

Nous vous remercions d'avoir acheté cet appareil PIONEER. Avant de l'utiliser, prendre soin de lire ce manuel.



Si vous souhaitez vous débarrasser de cet appareil, ne le mettez pas à la poubelle avec vos ordures ménagères. Il existe un système de collecte séparé pour les appareils électroniques usagés, qui doivent être récupérés, traités et recyclés conformément à la législation.

Les habitants des 25 états membres de l'UE, de Suisse et de Norvège peuvent retourner gratuitement leurs appareils électroniques usagés aux centres de collecte agréés ou à un détaillant (si vous rachetez un appareil similaire neuf).

Dans les pays qui ne sont pas mentionnés ci-dessus, veuillez contacter les autorités locales pour savoir comment vous pouvez vous débarrasser de vos appareils.

Vous garantirez ainsi que les appareils dont vous vous débarrassez sont correctement récupérés, traités et recyclés et préviendrez de cette façon les impacts néfastes possibles sur l'environnement et la santé humaine.

Visitez notre site Web

Rendez-nous visite sur le site suivant:



- Enregistrez votre produit. Nous conserverons sur fichier les détails de votre achat pour vous permettre de vous reporter à ces informations en cas de déclaration à votre assurance pour perte ou vol.
- Notre site Web fournit les informations les plus récentes sur la Pioneer Corporation.

En cas d'anomalie

En cas d'anomalie de fonctionnement, veuillez consulter le distributeur ou le centre d'entretien PIONEER le plus proche.

Quelques mots concernant cet appareil

Cet appareil est un amplificateur pour haut-parleur d'extrême grave. Si les deux canaux, L (gauche) et R (droit), sont connectés à l'entrée cinch (RCA) de cet appareil, la sortie est mixée parce que cet appareil est un amplificateur monaural.

PRÉCAUTION

Ne remplacez pas le fusible par un fusible de plus grande valeur ou de plus grand calibre. L'utilisation d'un fusible inadapté peut entraîner une surchauffe et de la fumée, et peut provoquer l'endommagement de l'appareil et des blessures, y compris des brûlures.

ATTENTION

- Utilisez le faisceau de câbles de liaison à la batterie (un câble rouge et un câble de masse) qui est vendu séparément ([RD-223] et [RD-222]). Reliez le câble rouge à la borne positive (+) de la batterie et le câble de masse à la carrosserie du véhicule. Le fusible risque de griller si un seul de ce fils est connecté.
- Ne touchez pas l'amplificateur quand vous avez les mains mouillées, faute de quoi vous risquez de ressentir une secousse électrique. Pareillement, ne touchez pas l'amplificateur s'il est mouillé.
- Pour votre sécurité et celles des autres usagers de la route, maintenez le niveau d'écoute à une valeur telle que les bruits de la circulation demeurent nettement perceptibles.
- Si le fusible monté sur le câble de liaison à la batterie, câble qui est vendu séparément, a grillé ou bien s'il en est ainsi de celui de l'amplificateur, vérifiez soigneusement toutes les connexions d'alimentation. Recherchez la cause de l'anomalie puis corrigez-la; enfin, remplacez le fusible grillé par un fusible de même taille et de même calibre.
- Pour éviter d'endommager l'amplificateur et les haut-parleurs, le circuit de protection coupe l'alimentation de l'amplificateur (les sons ne sont plus émis) dès que survient une situation anormale. Dans ce cas, mettez l'ensemble des appareils hors tension et contrôlez les liaisons entre l'amplificateur et les haut-parleurs. Le cas échéant, recherchez la cause de l'anomalie et corrigez-la.
- Consultez le revendeur si vous n'êtes pas en mesure de résoudre le problème qui se pose à vous.
- Pour éviter toute secousse électrique et tout risque de court-circuit au cours des opérations de raccordement et d'installation, n'oubliez pas de débrancher le câble relié au pôle négatif de la batterie (-) avant d'effectuer quelque opération que ce soit.
- Avant d'effectuer un perçage requis par l'installation de l'amplificateur, assurez-vous que vous pouvez le faire sans danger pour les câbles, canalisations, flexibles, etc., qui sont placés derrière le panneau que vous devez percer.
- NE LAISSEZ PAS l'amplificateur entrer en contact avec des liquides à cause, par exemple, de l'emplacement où il a été placé. Cela pourrait entraîner une secousse électrique. De plus, le contact avec un liquide pourrait endommager l'amplificateur et les enceintes, produire de la fumée ou surchauffer l'appareil. Enfin, la surface de l'amplificateur et des enceintes connectées peut devenir chaude au toucher et entraîner de légères brûlures.

Réglage de l'appareil

- Pour ajuster les commutateurs, utilisez un tournevis standard si nécessaire.

Couvre-bornes

Avant de mettre l'appareil en place, dévissez les vis avec un tournevis à pointe hexagonale de 4 mm et retirez le couvre-bornes.

Témoin d'alimentation

Ce témoin s'éclaire lorsque l'amplificateur est sous tension.

Commande de l'accentuation des graves

Vous pouvez choisir un niveau d'accentuation de 0, 6, 9 ou 12 dB. Pour connaître la manière de relier le boîtier de télécommande d'accentuation des graves à l'amplificateur, reportez-vous à la section "Schéma de raccordement".

Sélecteur infrasonore

Le filtre infrasonore coupe les fréquences inférieures à 20 Hz afin de supprimer les vibrations indésirables et de réduire les pertes de puissance.

Interrupteur BFC (Commande de fréquence de battement)

L'interrupteur BFC se trouve sous l'appareil. Si vous entendez un battement pendant l'écoute d'une transmission MW/LW (PO/GO) avec votre autoradio, changer la position de l'interrupteur BFC en utilisant un petit tournevis standard.

Commutateur MODE SELECT

Vous pouvez sélectionner le mode de synchronisation de l'amplificateur, à savoir MASTER, SYNC et SYNC INV. Réglez le commutateur MODE SELECT sur la position MASTER si vous utilisez uniquement un amplificateur. Si vous utilisez deux amplificateur ou plus en combinaison et connecteur de façon synchrone, réglez le premier amplificateur sur MASTER, et les amplificateurs restants sur SYNC ou SYNC INV en fonction de la façon dont ils sont connectés. Réglez le commutateur d'un amplificateur sur SYNC INV uniquement quand les amplificateurs sont connectés de façon synchrone avec un montage en pont ex. Pour pouvoir régler le commutateur sur SYNC INV, vous devez retirer le sceaun qui se trouve par-dessus le commutateur MODE SELECT pour accéder au commutateur SYNC INV. Retirez le sceaun après avoir vérifié que les connexions sont correctes. Pour en savoir plus sur le commutateur MODE SELECT, reportez-vous à la section "Connexion des câbles de haut-parleurs".

Commande du gain

Si le niveau d'écoute est faible même lorsque la commande de l'autoradio est sur la position correspondant au maximum, tournez la commande de gain dans le sens des aiguilles d'une montre. Inversement, si vous constatez de la distorsion lorsque vous augmentez le niveau de sortie de l'autoradio, tournez cette commande dans le sens contraire des aiguilles d'une montre.

- Choisissez la position NORMAL si l'autoradio stéréo est équipé de prises Cinch (RCA) (niveau de sortie standard à 500 mV). Si cet appareil est utilisé conjointement avec un autoradio stéréo Pioneer pourvu de prises Cinch (RCA) sur lesquelles peuvent se trouver une tension de sortie de 4 V ou plus, réglez le niveau en fonction du niveau de sortie de l'autoradio.
- Si vous notez que le bruit est trop élevé quand vous utilisez les prises d'entrée pour haut-parleur, tournez la commande de gain dans le sens contraire des aiguilles d'une montre.

Commande de la fréquence de coupure pour LPF

La fréquence de coupure peut être choisie entre 40 Hz et 240 Hz.

Sélecteur d'entrée

Il est possible d'entrer des signaux à partir de la sortie extérieure d'un autoradio ou de la sortie d'enceinte d'un autoradio. Réglez le sélecteur d'entrée avant de mettre l'appareil sous tension. Une fonction de protection met l'appareil hors tension si vous essayez de régler le sélecteur quand l'appareil est sous tension car sinon un son fort pourrait être émis des haut-parleurs. Lors de l'utilisation d'une sortie extérieure, faites glisser le sélecteur sur la gauche. Pour les instructions de connexion, reportez-vous à la section "Schéma de raccordement". Lors de l'utilisation de la sortie de haut-parleur, faites glisser le sélecteur sur la droite. Dans ce cas, il est nécessaire d'utiliser le cordon d'entrée de haut-parleur muni de fiches Cinch (RCA) fourni. Pour les détails, reportez-vous à la section "Utilisation de l'entrée de haut-parleur".

Commutateur POWER MODE

Lors de l'utilisation de haut-parleurs d'une impédance synthétique de 2 Ω à 8 Ω , faites glisser le commutateur sur la droite (NORMAL). Lors de l'utilisation de haut-parleurs d'une impédance synthétique de 1 Ω à moins de 2 Ω , faites glisser le commutateur sur la gauche (HI-CURRENT). Ces réglages sont utilisés uniquement lors de l'utilisation d'un amplificateur unique. Reportez-vous à la section "Connexion des haut-parleurs" quand vous combinez l'utilisation de plusieurs amplificateurs.

Si l'impédance des haut-parleurs dépasse 2 Ω (4 Ω lors de l'utilisation d'une connexion en pont ex.), bien que le commutateur POWER MODE puisse être réglé sur HI-CURRENT, le régler sur la position NORMAL permet de profiter d'un son plus puissant.

PRÉCAUTION

- Pour éviter tout risque de court-circuit ou d'endommager cet appareil, débranchez le câble relié à la borne négative (-) de la batterie, au niveau de cette borne.
 - Fixez les câbles au moyen de colliers ou du ruban adhésif. Lorsque l'isolant du câble peut être endommagé par une pièce métallique, assurez sa protection en le gainant de ruban adhésif.
 - Faites cheminer les câbles en évitant les zones chaudes telles que les bouches du chauffage. La chaleur peut endommager l'isolant et il peut en résulter un court-circuit si l'âme du câble vient en contact avec la carrosserie.
 - Assurez-vous que les câbles ne gênent en rien la manoeuvre des organes mobiles tels que rails de siège mais aussi levier de frein de stationnement, pédale de frein, etc.
- Veillez à ce qu'aucun câble ne soit en court-circuit, faute de quoi le circuit de protection pourrait être dans l'incapacité de remplir son office.
 - N'alimentez pas un appareil par un piquage sur le câble qui alimente un autre appareil. Ce câble n'a peut-être pas la section suffisante pour supporter sans danger l'intensité consommée par les deux appareils.
 - Ne remplacez pas le fusible par un fusible de plus grande valeur ou de plus grand calibre. L'utilisation d'un fusible inadapté peut entraîner une surchauffe et de la fumée, et peut provoquer l'endommagement de l'appareil et des blessures, y compris des brûlures.

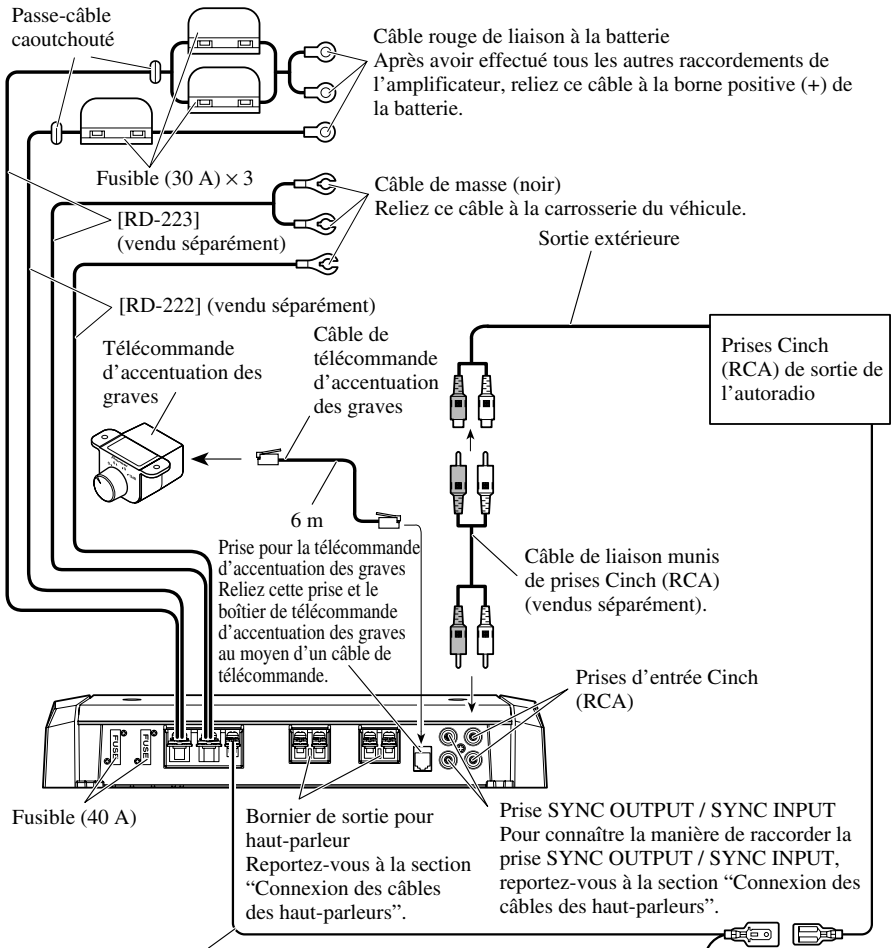
PRÉCAUTION:

Pour éviter toute anomalie ou blessure

- Ne reliez pas à la masse le câble (-) d'un haut-parleur; ne reliez pas ensemble plusieurs câbles négatifs de haut-parleurs.
 - Cet appareil est conçu pour les véhicules alimentés par une batterie 12 V dont le pôle négatif est à la masse. Avant d'installer cet appareil, contrôlez la tension de la batterie.
 - Si vous conservez l'autoradio en fonctionnement alors que le moteur est arrêté ou tourne au ralenti, la batterie peut être déchargée au bout d'un certain temps. Pour éviter cela, mettez l'autoradio hors tension.
 - Si le câble de commande à distance de l'amplificateur est relié à la borne d'alimentation par l'intermédiaire du contacteur d'allumage (12 V CC), l'amplificateur sera sous tension dès que vous mettez le contact, et cela quelle que soit la situation de l'autoradio. En conséquence, la batterie peut être rapidement déchargée si le moteur ne tourne pas, ou tourne au ralenti.
 - NE RACCORDEZ PAS un haut-parleur d'extrêmes graves dont l'impédance serait inférieure à celle prescrite dans la section "Raccordement de l'appareil". Il pourrait en résulter un endommagement de l'amplificateur, voire de la production de fumée accompagnée de surchauffe. La surface de l'amplificateur pourrait s'échauffer au point de causer des brûlures légères.
- Reliez l'un de ces trois caissons de graves à l'amplificateur; 1: un caisson de graves ayant une puissance admissible de 420 W ou mieux et une impédance de 4 Ω , 2: un caisson de graves ayant une puissance admissible de 600 W ou mieux et une impédance de 2 Ω ou 3: un caisson de graves ayant une puissance admissible de 600 W ou mieux et une impédance de 1 Ω . Si l'entrée nominale et l'impédance sont au-dessus de ces plages, le haut-parleur d'extrême grave risque de prendre feu, d'émettre de la fumée ou d'être endommagé.
 - Installez le câble de liaison à la batterie, vendu séparément, et faites-le cheminer aussi loin que possible des câbles de liaison aux haut-parleurs. Installez le câble de liaison à la batterie, vendu séparément, le câble de masse, les câbles de liaison aux haut-parleurs et l'amplificateur aussi loin que possible de l'antenne, du câble d'antenne et du syntoniseur.
- Les câbles de cet appareil et ceux d'autres appareils peuvent fort bien ne pas être de la même couleur bien que remplissant la même fonction. Pour relier cet appareil à un autre appareil, utilisez le manuel de chacun et effectuez les raccordements en ne tenant compte que de la fonction de chaque câble.

Schéma de raccordement

- Ce schéma montre les connexions en utilisant une sortie extérieure. Faites glisser le sélecteur d'entrée sur la gauche.
- Dans le cas de la connexion de la sortie extérieure d'un autoradio stéréo à une entrée Cinch (RCA), utilisez la prise utilisée pour une sortie à gamme étendue, car le canal PDF de l'amplificateur ne peut pas être mis hors service. Si cette prise ne peut pas être utilisée, connectez la prise de sortie du haut-parleur d'extrêmes graves à l'entrée Cinch (RCA).
- Si vous réalisez une connexion avec une sortie de haut-parleur extérieur, les connexions diffèrent de ce schéma. Pour les détails, reportez-vous à la section "Utilisation de l'entrée de haut-parleur". Dans chaque cas, vous devez régler le sélecteur d'entrée correctement. Pour les détails, reportez-vous à la section "Réglage de l'appareil".
- Utilisez le faisceau de câbles de liaison à la batterie (un câble rouge et un câble de masse) qui est vendu séparément ([RD-223] et [RD-222]). Reliez le câble rouge à la borne positive (+) de la batterie et le câble de masse à la carrosserie du véhicule. Le fusible risque de griller si un seul de ces fils est connecté.



Câble de commande à distance d'alimentation (vendu séparément)
 Reliez la fiche mâle de ce câble à la borne de commande à distance de l'autoradio (SYSTEM REMOTE CONTROL). La fiche femelle doit être reliée à la prise de commande de l'antenne motorisée. Si l'autoradio ne possède pas de prise pour commande à distance de la mise sous tension, reliez la fiche mâle à une borne d'alimentation en passant par le contacteur d'allumage.

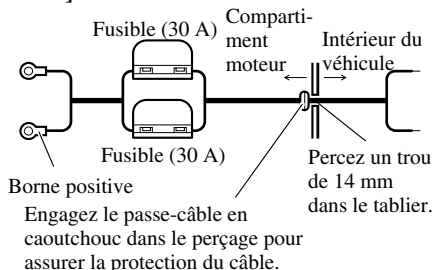
Raccordement de la borne d'alimentation

- Utilisez le faisceau de câbles de liaison à la batterie (un câble rouge et un câble de masse) qui est vendu séparément ([RD-223] et [RD-222]). Reliez le câble rouge à la borne positive (+) de la batterie et le câble de masse à la carrosserie du véhicule. Le fusible risque de griller si un seul de ce fils est connecté.

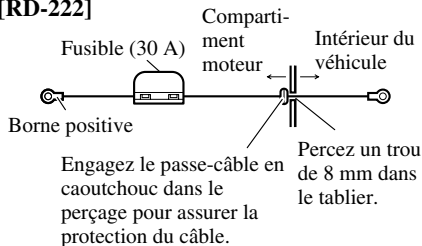
1. Faites passer le câble de liaison à la batterie du compartiment moteur vers l'intérieur du véhicule.

- Après avoir effectué tous les autres raccordements de l'amplificateur, reliez la borne d'alimentation de l'amplificateur à la borne positive (+) de la batterie.

[RD-223]



[RD-222]

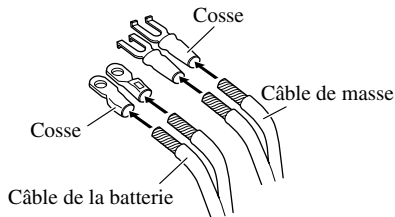


2. Torsadez le câble de la batterie, celui de masse et celui de la commande à distance.



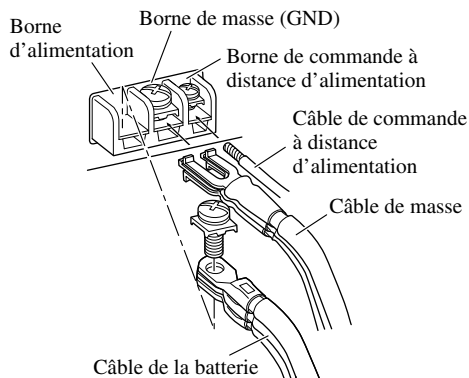
3. Fixez une cosse à l'extrémité de chaque câble. Les cosse ne sont pas fournies.

- Utilisez un outil spécial, etc., pour sertir la cosse sur le câble.



4. Reliez les câbles aux bornes.

- Serrez soigneusement les câbles au moyen des vis.

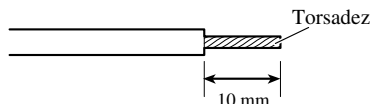


⚠ ATTENTION

Faute de serrer soigneusement le câble de batterie sur la borne au moyen d'une vis de borne, une élévation importante de température de la borne peut se produire et provoquer dommages et blessures, y compris brûlures légères.

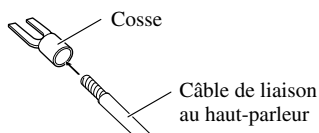
Raccordement des bornes de sortie vers les haut-parleurs

1. **Dénudez l'extrémité des câbles de liaison aux haut-parleurs par une pince ou un couteau sur 10 mm environ et torsadez les brins des câbles.**



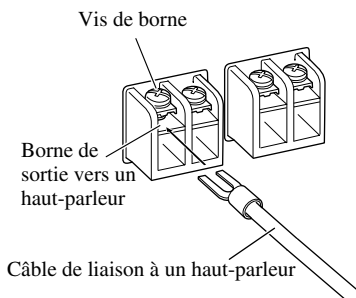
2. **Fixez une cosse à l'extrémité de chaque câble de haut-parleur. Les cosses ne sont pas fournies.**

- Utilisez un outil spécial, etc., pour sertir la cosse sur le câble.



3. **Reliez les câbles de liaisons aux haut-parleurs aux bornes de sortie vers les haut-parleurs.**

- Serrez soigneusement les cosses au moyen des vis.

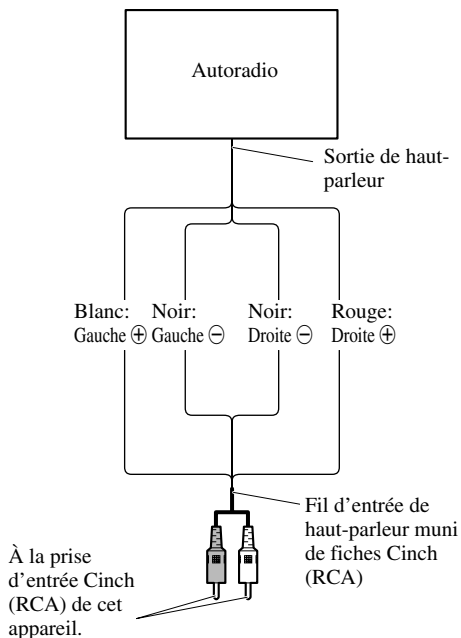


Utilisation de l'entrée de haut-parleur

Connectez les fils de sortie de haut-parleur de l'autoradio à l'amplificateur en utilisant le fil d'entrée de haut-parleur muni de fiches Cinch (RCA) fourni.

- Faites glisser le sélecteur d'entrée sur la droite.

■ Connexion lors de l'utilisation de l'entrée de haut-parleur



- Comme le fil de sortie de haut-parleur de l'autoradio est connecté à l'amplificateur, ce dernier se met automatiquement sous tension quand l'autoradio est mis sous tension. Il n'est pas nécessaire de connecter le câble de commande à distance dans ce cas.
- Dans le cas où l'amplificateur et l'appareil principal sont connectés en utilisant un fil d'entrée de haut-parleur muni de fiches Cinch (RCA), l'amplificateur est mis sous tension uniquement quand un des amplificateurs est utilisé. Si deux amplificateurs ou plus sont connectés en combinaison de façon synchrone, connectez l'appareil principal et tous les amplificateurs avec le câble de commande à distance d'alimentation.

Remarque:

- Connectez le câble de commande à distance à l'amplificateur ne se met pas sous tension en même temps que l'autoradio.

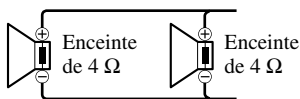
Connexion des câbles des haut-parleurs

Connectez les câbles de haut-parleurs et réglez le commutateur MODE SELECT et le commutateur POWER MODE correctement en fonction de la configuration et des illustrations ci-dessous et de la page suivante.

- Lors de la connexion de deux amplificateurs ou plus en combinaison de façon synchrone, utilisez uniquement ces amplificateurs. Ne les mélangez pas avec d'autres amplificateurs.
- Lors de la connexion de deux amplificateurs ou plus en combinaison de façon synchrone, réglez la commande de gain, le sélecteur infrasonore, la commande de la fréquence de coupure pour LPF et la commande d'accentuation des graves sur l'amplificateur dont le commutateur MODE SELECT a été réglé sur MASTER. Ces réglages sont sans effet sur un amplificateur réglé sur SYNC ou SYNC INV.

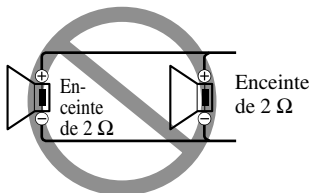
⚠ PRÉCAUTION

Diagramme A - Correct



Branchement en pont de 2 Ω

Diagramme B - Incorrect



Branchement en pont de 1 Ω

NE PAS installer ou utiliser cet amplificateur en câblant des haut-parleurs de 2 Ω (ou moins) en parallèle pour obtenir un branchement en pont de 1 Ω (ou moins) (schéma B).

Ce type de branchement incorrect peut provoquer des détériorations, de la fumée et une surchauffe de l'amplificateur. Le boîtier de l'amplificateur peut aussi devenir chaud et être à l'origine de brûlures légères.

Pour installer ou utiliser correctement un branchement en pont et obtenir une charge de 2 Ω, câbler deux haut-parleurs de 4 Ω en parallèle avec Gauche + et Droite - (schéma A) ou utiliser un seul haut-parleur de 2 Ω.

Si l'impédance synthétique est de 2 Ω à moins de 4 Ω, assurez-vous toujours que le commutateur POWER MODE est sur la position HI-CURRENT.

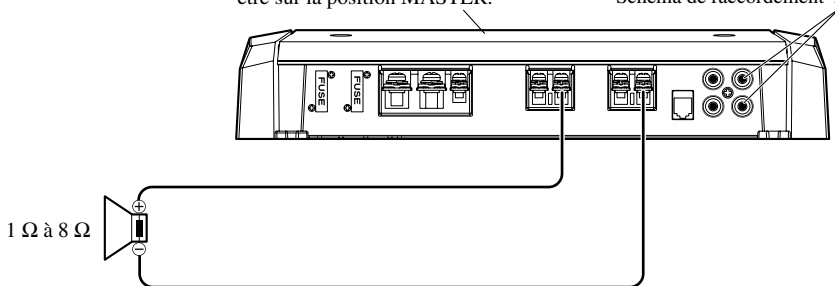
De plus, reportez-vous au manuel d'instructions des haut-parleurs pour en savoir plus sur la procédure de connexion correcte.

Amplificateur unique

Le commutateur MODE SELECT doit être sur la position MASTER.

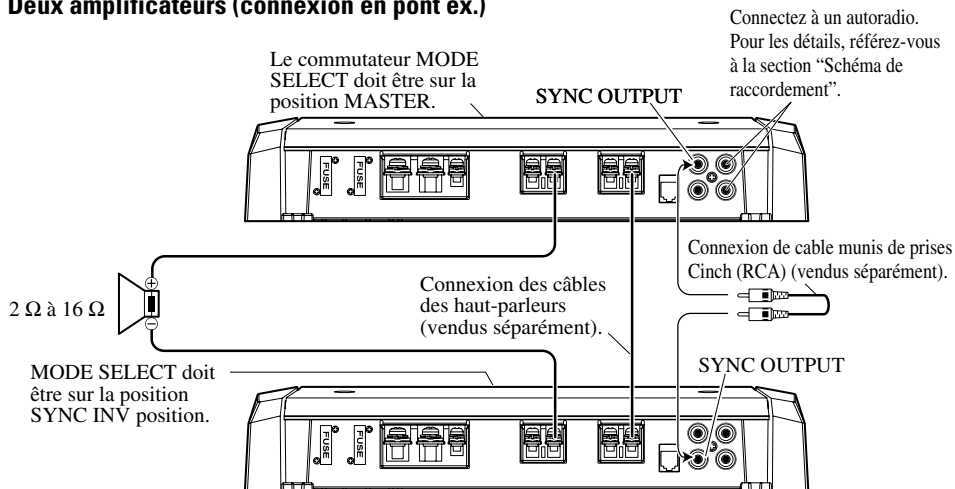
Connectez à un autoradio.

Pour les détails, référez-vous à la section "Schéma de raccordement".



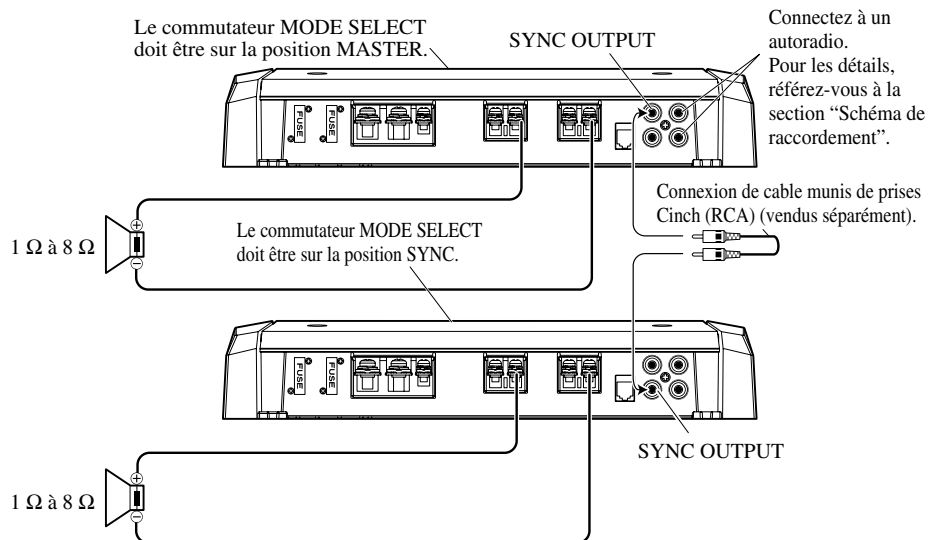
- Utilisez des haut-parleurs avec une impédance comprise entre 1 Ω et 8 Ω.
- Le réglage du commutateur POWER MODE varie en fonction de l'impédance des enceintes. Reportez-vous à la section "Réglage de l'appareil" pour plus de détails.

Deux amplificateurs (connexion en pont ex.)



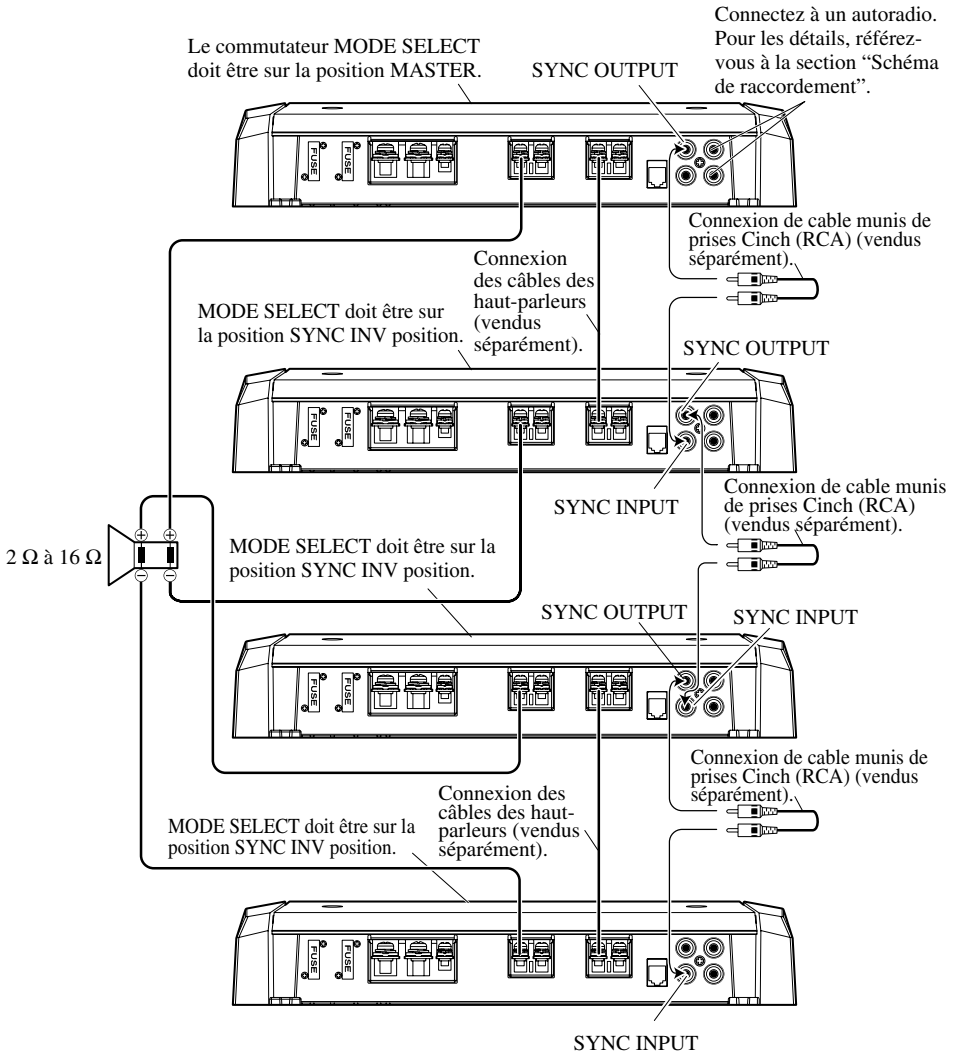
- Utilisez uniquement des haut-parleurs avec une impédance comprise entre 2 Ω et 16 Ω. De plus en cas de connexion de plusieurs haut-parleurs avec un pont, vérifiez que l'impédance synthétique est d'au moins 2 Ω.
- Le réglage du commutateur POWER MODE varie en fonction de l'impédance des haut-parleurs. Faites glisser le commutateur POWER MODE sur la position HI-CURRENT si l'impédance est de 2 Ω à moins de 4 Ω, ou faites glisser sur la position NORMAL si l'impédance est de 4 Ω à 16 Ω. Le même réglage est utilisé pour les deux amplificateurs.
- Pour pouvoir régler le commutateur sur SYNC INV, vous devez retirer le sceau qui se trouve par-dessus le commutateur MODE SELECT pour accéder au commutateur SYNC INV. Retirez le sceau après avoir vérifié que les connexions sont correctes.

Deux amplificateurs



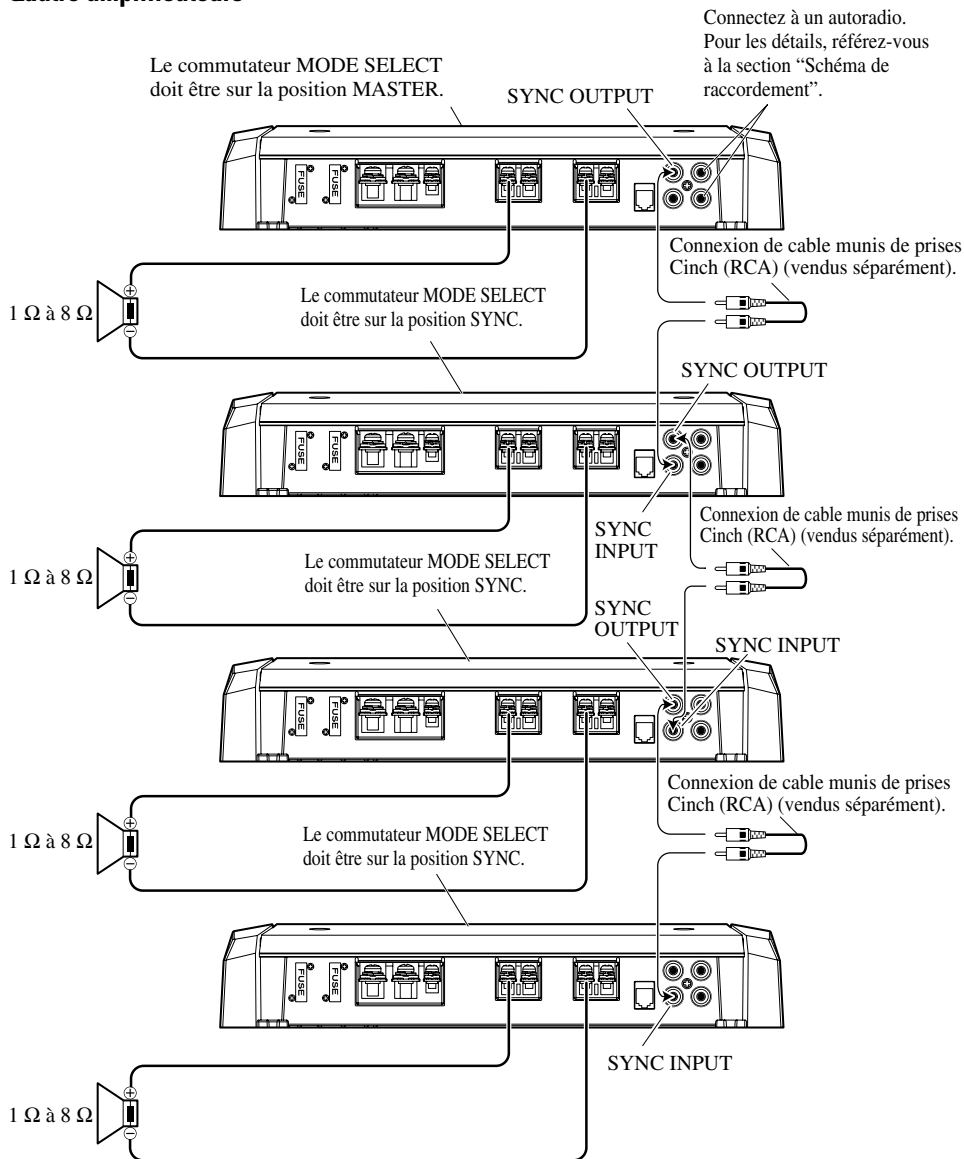
- Utilisez des haut-parleurs avec une impédance comprise entre 1 Ω et 8 Ω.
- Le réglage du commutateur POWER MODE varie en fonction de l'impédance des enceintes. Reportez-vous à la section "Réglage de l'appareil" pour plus de détails. Le même réglage est utilisé pour les deux amplificateurs.

Quatre amplificateurs (connexion en pont ex.)



- Utilisez uniquement des haut-parleurs avec une impédance comprise entre 2 Ω et 16 Ω . De plus en cas de connexion de plusieurs haut-parleurs avec un pont, vérifiez que l'impédance synthétique est d'au moins 2 Ω .
- Le réglage du commutateur POWER MODE varie en fonction de l'impédance des haut-parleurs. Faites glisser le commutateur POWER MODE sur la position HI-CURRENT si l'impédance est de 2 Ω à moins de 4 Ω , ou faites glisser sur la position NORMAL si l'impédance est de 4 Ω à 16 Ω . Le même réglage est utilisé pour les quatre amplificateurs.
- Pour pouvoir régler le commutateur sur SYNC INV, vous devez retirer le sceau qui se trouve par-dessus le commutateur MODE SELECT pour accéder au commutateur SYNC INV. Retirez le sceau après avoir vérifié que les connexions sont correctes.

Quatre amplificateurs



- Utilisez des haut-parleurs avec une impédance comprise entre 1 Ω et 8 Ω.
- Le réglage du commutateur POWER MODE varie en fonction de l'impédance des enceintes. Reportez-vous à la section "Réglage de l'appareil" pour plus de détails. Le même réglage est utilisé pour les quatre amplificateurs. Le même réglage est utilisé pour les quatre amplificateurs.



PRÉCAUTION

- N'installez pas l'appareil:
 - dans un endroit où il pourrait blesser un occupant du véhicule en cas d'arrêt brusque;
 - dans un endroit où il pourrait gêner le conducteur, par exemple devant son siège.
- Veillez à ce que les câbles ne puissent pas être pincés et endommagés par les sièges, ce qui peut conduire à un court-circuit.
- Avant d'effectuer un perçage requis par l'installation de l'amplificateur, assurez-vous que vous pouvez le faire sans danger pour les câbles, canalisations, flexibles, etc., qui sont placés derrière le panneau que vous devez percer.
- Posez les vis autotaraudeuses de manière que leur extrémité ne puisse pas endommager les câbles. Il est important que l'isolant d'un câble ne soit pas endommagé par le frottement sur une pièce, ce qui pourrait ultérieurement entraîner un court-circuit.
- **NE LAISSEZ PAS** l'amplificateur entrer en contact avec des liquides à cause, par exemple, de l'emplacement où il a été placé. Cela pourrait entraîner une secousse électrique. De plus, le contact avec un liquide pourrait endommager l'amplificateur et les enceintes, produire de la fumée ou surchauffer l'appareil. Enfin, la surface de l'amplificateur et des enceintes connectées peut devenir chaude au toucher et entraîner de légères brûlures.
- Pour effectuer convenablement l'installation, utilisez les pièces fournies et procédez comme il est indiqué. L'utilisation de pièces autres que celles fournies peut endommager l'amplificateur.
- Ne remplacez pas le fusible par un fusible de plus grande valeur ou de plus grand calibre. L'utilisation d'un fusible inadapté peut entraîner une surchauffe et de la fumée, et peut provoquer l'endommagement de l'appareil et des blessures, y compris des brûlures.



PRÉCAUTION:

Pour éviter toute anomalie de fonctionnement ou blessure

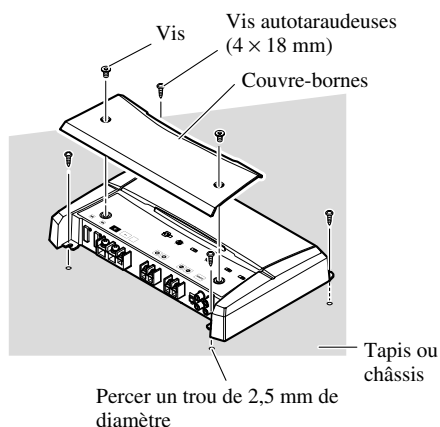
- Pour que la chaleur puisse se dissiper sans mal, respectez ce qui suit:
 - veillez à ce qu'un espace dégagé existe au-dessus de l'amplificateur;
 - ne recouvrez pas l'amplificateur d'un tapis ou d'une moquette.
- **NE LAISSEZ PAS** l'amplificateur entrer en contact avec des liquides à cause, par exemple, de l'emplacement où il a été placé. Cela pourrait entraîner une secousse électrique. De plus, le contact avec un liquide pourrait endommager l'amplificateur et les enceintes, produire de la fumée ou surchauffer l'appareil. Enfin, la surface de l'amplificateur et des enceintes connectées peut devenir chaude au toucher et entraîner de légères brûlures.
- N'installez pas l'amplificateur sur une surface instable telle que le tapis amovible cachant la roue de secours.
- Le meilleur emplacement d'installation dépend du véhicule, mais, quoi qu'il en soit, doit être rigide et solide.
- Effectuez tout d'abord des raccordements temporaires pour vous assurer que l'amplificateur et les autres appareils fonctionnent correctement.
- Choisissez un emplacement qui permette le retrait sans peine de la roue de secours, du cric et de la boîte à outils.

Exemple d'installation sur le tapis de sol ou sur le châssis

1. Posez l'amplificateur à l'emplacement choisi. Introduisez les vis autotaraudeuses fournies (4×18 mm) dans les perçages. Appuyez fermement sur les vis au moyen d'un tournevis pour marquer les points de perçage.
2. Percer des trous de 2,5 mm de diamètre aux emplacements marqués puis fixez l'amplificateur soit à travers le tapis, soit directement sur le châssis.

Remise en place du couvre-bornes

1. Alignez l'appareil et le couvre-bornes et insérez les vis.
2. Serrez les vis avec un tournevis à pointe hexagonale de 4 mm.



Caractéristiques techniques

| | |
|--|--|
| Alimentation | 14,4 V CC (10,8 V à 15,1 V permis) |
| Mise à la masse | Pôle négatif de la batterie |
| Consommation de courant | 39 A (à la puissance continue, 4 Ω) |
| Consommation moyenne de courant* | 12 A (4 Ω pour une voie) 20 A (2 Ω pour une voie) 28 A (1 Ω pour une voie) |
| Fusible (externe) | 40 A × 2 |
| Dimensions | 304 (L) × 56 (H) × 195 (P) mm |
| Poids | 2,9 kg (sans les câbles) |
| Puissance maximale de sortie | 800 W × 1 (4 Ω) / 1 200 W × 1 (1 Ω à 2 Ω) |
| Puissance continue (14,4 V) | Mode NORMAL: 4 Ω, 20 Hz à 240 Hz, ≤ 1,0% DHT, 400 W × 1 2 Ω, 100 Hz, ≤ 1,0% DHT, 600 W × 1 Mode HI-CURRENT: 4 Ω, 20 Hz à 240 Hz, ≤ 1,0% DHT, 150 W × 1 2 Ω, 100 Hz, ≤ 1,0% DHT, 300 W × 1 1 Ω, 100 Hz, ≤ 1,0% DHT, 600 W × 1 |
| Impédance de charge | 4 Ω (1 Ω à 8 Ω permis) |
| Réponse en fréquence | 10 Hz à 240 Hz (+0 dB, -3 dB) |
| Rapport signal/bruit | 92 dB (réseau IEC-A) |
| Distorsion | 0,5 % (10 W, 100 Hz) |
| Filtre passe-bas | Fréquence de coupure: 40 Hz à 240 Hz Pente: -18 dB/oct |
| Filtre infrasonore (HPF) | Fréquence: 20 Hz Pente: -18 dB |
| Accentuation des graves | Fréquence: 50 Hz Niveau: 0 / 6 / 9 / 12 dB |
| Commande de gain | RCA: 400 mV à 6,5 V SP: 1,6 V à 26 V |
| Niveau maximale / impédance d'entrée | RCA: 6,5 V / 22 kΩ SP: 26 V / 90 kΩ |

Remarque:

- Les caractéristiques et la présentation peuvent être modifiées sans avis préalable à fin d'amélioration.

* Consommation moyenne de courant

- Le courant moyen est proche du courant maximal lorsqu'un signal audio est appliqué à l'entrée de l'amplificateur. Utilisez cette valeur lorsque vous désirez calculer le courant total consommé par plusieurs amplificateurs de puissance.

Prima di usare questo prodotto 1

| | |
|---------------------------------|---|
| Visita il nostro sito Web | 1 |
| In caso di difficoltà..... | 2 |
| A proposito del prodotto | 2 |
| PRECAUZIONE | 2 |
| ATTENZIONE | 2 |

Regolazione di questa unità 3

| | |
|---|---|
| Coperchio dei terminali | 3 |
| Indicatore dell'alimentazione | 3 |
| Interruttore di selezione subsonica | 3 |
| Comando di selezione per l'espansione dei bassi | 3 |
| Selettore BFC (Beat Frequency Control) | 3 |
| Commutatore MODE SELECT | 4 |
| Comando del guadagno | 4 |
| Comando della soglia della frequenza di taglio per LPF | 4 |
| Selettore d'ingresso | 4 |
| Selettore POWER MODE | 4 |

Come collegare l'unità 5

| | |
|---|---|
| Schema di collegamento | 6 |
| Come collegare il terminale dell'alimentazione | 7 |
| Come collegare il terminale di uscita degli altoparlanti | 8 |
| Utilizzo dell'ingresso altoparlanti | 8 |
| Collegamento dei cavi d'altoparlanti | 9 |

Installazione 13

| | |
|--|----|
| Esempio dell'installazione sul pavimento oppure sullo chassis | 14 |
| Riapplicazione del coperchio dei terminali | 14 |

Caratteristiche 15

Grazie per aver acquistato questo prodotto PIONEER. Leggere attentamente queste istruzioni prima di usare questo apparecchio.



Se si vuole eliminare questo prodotto, non gettarlo insieme ai rifiuti domestici. Esiste un sistema di raccolta differenziata in conformità alle leggi che richiedono appositi trattamenti, recupero e riciclo.

I privati cittadini dei venticinque paesi membri dell'UE, di Svizzera e Norvegia, possono restituire senza alcun costo i loro prodotti elettronici usati ad appositi servizi di raccolta o a un rivenditore (se si desidera acquistarne uno simile). Per i paesi non citati qui sopra, si prega di prendere contatto con le autorità locali per il corretto metodo di smaltimento. In questo modo, si è sicuri che il proprio prodotto eliminato subirà il trattamento, il recupero e il riciclo necessari per prevenire gli effetti potenzialmente negativi sull'ambiente e sulla vita dell'uomo.

Visita il nostro sito Web

Visita il seguente sito Web:



- Potrai registrare il tuo prodotto. Pioneer conserverà i dettagli del tuo acquisto per agevolare il riferimento a tali informazioni nel caso di una richiesta di risarcimento assicurativa, come in caso di furto o smarrimento.
- Sul nostro sito Web sono disponibili le informazioni più recenti su Pioneer Corporation.

In caso di difficoltà

Se l'apparecchio non funziona correttamente, rivolgersi al rivenditore o ad un Centro Assistenza Autorizzato PIONEER.

A proposito del prodotto

Questo prodotto è un amplificatore per subwoofer. Trattandosi di un amplificatore monofonico, collegandone all'ingresso RCA sia il canale L (sinistro) che il canale R (destra) l'uscita risulterà miscelata.



PRECAUZIONE

Non sostituire mai il fusibile con uno di valore o taratura superiore a quella del fusibile originale. L'uso di fusibili non adeguati può determinare un surriscaldamento o generare fumo, eventualmente danneggiando il prodotto e procurando lesioni o ustioni.

ATTENZIONE

- Usare sempre lo speciale cavo rosso per batteria il cavo di messa a terra ([RD-223] e [RD-222]), venduti a parte. Collegare il cavo per la batteria direttamente al terminale positivo (+) della batteria dell'auto, ed il cavo per la messa a terra al corpo dell'autovettura. Il collegamento di uno solo di questi potrebbe causare la bruciatura del fusibile.
- Non toccare l'amplificatore con le mani bagnate. Toccando l'apparecchio con le mani bagnate si rischia di rimanere folgorati. Ugualmente, non toccare l'amplificatore se risulta umido o bagnato.
- Per una buona sicurezza della guida e per una guida appropriata della vettura, mantenere il volume ad un basso livello di tale modo che si possa sentire ancora il suono normale del traffico.
- Se il fusibile del cavo della batteria (venduto a parte) o il fusibile dell'amplificatore bruciano controllare i collegamenti dell'alimentazione e degli altoparlanti. Individuare la causa e risolvere il problema, e provvedere poi a sostituire il fusibile con un altro delle stesse dimensioni e capacità.
- Per evitare un funzionamento incorretto dell'amplificatore e degli altoparlanti, il circuito di protezione taglia l'alimentazione all'amplificatore (il suono si interrompe in questo caso) quando una condizione anormale si presenta. In tale caso, commutare l'alimentazione del sistema alla posizione "OFF" (arresto) poi verificare il collegamento dell'alimentazione e degli altoparlanti. Cercare la causa del problema ed eliminare il problema.
- Consultare il rivenditore se non si può trovare la causa del problema.
- Per evitare qualsiasi scossa elettrica oppure cortocircuito durante il collegamento e l'installazione, assicurarsi di scollegare in anticipo il polo negativo (-) della batteria.
- Verificare che nessuna parte si trovi dietro il pannello quando un foro viene eseguito per l'installazione dell'amplificatore. Assicurarsi di proteggere tutti i cavi e componenti importanti come linee del carburante, linee del freno e cablaggio elettrico, contro i danni.
- NON lasciare che l'amplificatore entri in contatto con liquidi nel luogo in cui esso è installato. Si potrebbero generare infatti scosse elettriche. Il contatto con i liquidi può altresì danneggiare l'amplificatore stesso e i diffusori, con emissione di fumo e creazione di surriscaldamento. La superficie dell'amplificatore o quella degli altoparlanti ad esso collegati potrebbe inoltre divenire molto calda e, al contatto, procurare piccole scottature.

Regolazione di questa unità

- In caso di necessità il selettore può essere regolato con un cacciavite a punta standard.

Coperchio dei terminali

Prima d'installare l'unità, svitare le viti con una chiave esagonale da 4 mm e rimuovere il coperchio dei terminali.

Indicatore dell'alimentazione

L'indicatore dell'alimentazione viene illuminato quando si attiva l'alimentazione.

Comando di selezione per l'espansione dei bassi

Per mezzo di questo comando si può selezionare tra 0, 6, 9 e 12 dB il livello di espansione dei bassi.

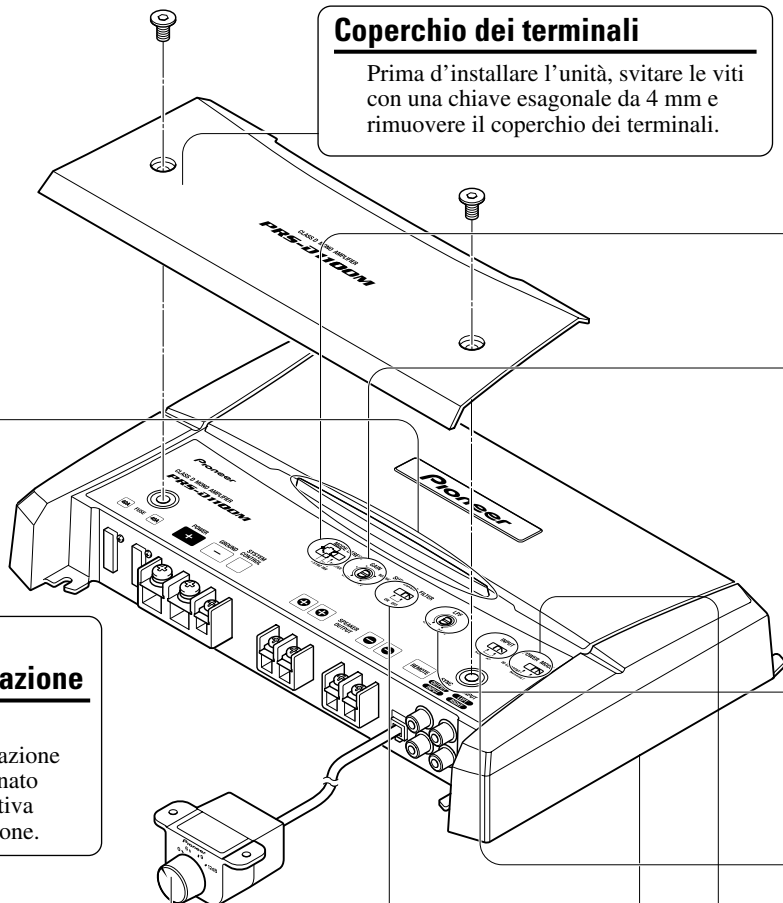
Per istruzioni sul collegamento del telecomando di espansione dei bassi all'amplificatore si prega di vedere la sezione "Schema di collegamento".

Interruttore di selezione subsonica

Il filtro subsonico taglia le frequenze inferiori alla soglia di udibilità di 20 Hz, per eliminare vibrazioni indesiderate e minimizzare la perdita di potenza.

Selettore BFC (Beat Frequency Control)

Il selettore BFC si trova sul fondo dell'unità. Qualora durante l'ascolto di stazioni MW/LW con l'apparecchio stereo dell'auto si avverta un battimento, con un piccolo cacciavite appuntito si suggerisce di cambiare la posizione del selettore BFC.



Commutatore MODE SELECT

La modalità di sincronizzazione dell'amplificatore può essere selezionata tra MASTER, SYNC e SYNC INV. In caso di utilizzo di un solo amplificatore è necessario fare scorrere il commutatore MODE SELECT nella posizione MASTER. Quando si collegano in sincronizzazione due o più di questi amplificatori, il primo deve essere impostato su MASTER mentre gli altri su SYNC o su SYNC INV in funzione della modalità di connessione. L'unica condizione che preveda l'impostazione dell'amplificatore nella modalità SYNC INV è quando essi sono connessi in modo sincronizzato, come nell'esempio di collegamento a ponte.

Per impostare la modalità SYNC INV è necessario rimuovere innanzi tutto la pellicola protettiva dal commutatore MODE SELECT, sotto la quale si trova il selettore SYNC INV. Si raccomanda di rimuovere la pellicola dopo essersi accertati che i collegamenti siano stati correttamente eseguiti. Per maggiori informazioni sul commutatore MODE SELECT si prega di leggere la sezione "Collegamento dei cavi d'altoparlanti".

Comando del guadagno

Se il livello sonoro continua a rimanere troppo basso, anche alzando il volume dello stereo utilizzato in concomitanza con questo amplificatore di potenza, ruotare in senso orario il comando del guadagno. Se invece il suono si distorce quando si alza il volume, ruotare il comando del guadagno in senso antiorario.

- In caso di uso in combinazione con un car stereo dotato di presa di tipo RCA (uscita standard di 500 mV) porre questo comando sulla posizione NORMAL. In caso di uso in combinazione con un car stereo dotato di presa di tipo RCA con uscita massima di 4 V, o più, regolare il livello in modo che si adegui al livello di uscita del car stereo.
- In caso di percezione di eccessivo rumore durante l'uso dei terminali di ingresso degli altoparlanti, ruotare il comando del guadagno in senso antiorario.

Comando della soglia della frequenza di taglio per LPF

Si può selezionare la soglia della frequenza di taglio ad un valore compreso tra 40 Hz e 240 Hz.

Selettore d'ingresso

È possibile porre in ingresso il segnale proveniente dall'uscita esterna oppure dall'un'uscita altoparlanti dell'apparecchio stereo dell'auto. La posizione del selettore d'ingresso deve essere cambiata prima ancora di accendere l'apparecchio. Poiché qualsiasi cambio eseguito dopo avere acceso l'apparecchio può dar luogo all'emissione di forte rumore dagli altoparlanti, la funzione di protezione interverrebbe per spegnerlo. In caso di utilizzo dell'uscita esterna fare scorrere il selettore a sinistra. Per maggiori informazioni sulla connessione si rimanda alla sezione "Schema di collegamento". In caso di utilizzo dell'uscita agli altoparlanti fare scorrere il selettore a destra. In tal caso è necessario fare uso del cavetto d'ingresso per altoparlanti provvisto di spina RCA fornito in dotazione. Per maggiori informazioni in merito si rimanda alla sezione "Utilizzo dell'ingresso altoparlanti".

Selettore POWER MODE

In caso d'impiego di altoparlanti con impedenza artificiale da 2 Ω a 8 Ω è necessario fare scorrere il selettore a destra (NORMAL). In caso di utilizzo di altoparlanti con impedenza artificiale da 1 Ω a meno di 2 Ω è necessario farlo scorrere a sinistra (HI-CURRENT). Queste impostazioni sono valide nel caso di utilizzo di un amplificatore singolo. In caso di impiego combinato di più amplificatori si prega di leggere la sezione "Collegamento dei cavi d'altoparlanti".

Qualora l'impedenza degli amplificatori ecceda 2 Ω (4 Ω in caso di collegamento a ponte), sebbene il selettore POWER MODE possa altresì essere fatto scorrere nella posizione HI-CURRENT impostandolo su NORMAL fornisce un suono più potente.



PRECAUZIONE

- Togliere il contatto negativo (-) dalla batteria per evitare ogni rischio di cortocircuito e danni all'unità.
- Fissare il cablaggio con dei fermi per cavi oppure nastro adesivo. Per proteggere il cablaggio, avvolgere il nastro adesivo intorno al cablaggio dove esso si trova in contatto con parti di metallo.
- Non posare i cavi dove possono riscaldarsi, per esempio dove il dispositivo di riscaldamento rischia di riscaldarli. Se l'isolamento si riscalda, potrebbe danneggiarsi, e risultare in un cortocircuito attraverso la carrozzeria del veicolo.
- Assicurarci che i cavi non siano in contatto con delle parti mobili del veicolo, come leva del cambio, freno a mano oppure meccanismo a scorrimento del sedile.
- Non cortocircuitare i cavi. In caso contrario, il circuito di protezione non funzionerà quando sarà necessario.
- Evitare di collegare altri apparecchi tramite rimozione copertura cavo di alimentazione per accedere all'alimentazione. Questo risulterà in sovraccarico ed eccessivo riscaldamento.
- Non sostituire mai il fusibile con uno di valore o taratura superiore a quella del fusibile originale. L'uso di fusibili non adeguati può determinare un surriscaldamento o generare fumo, eventualmente danneggiando il prodotto e procurando lesioni o ustioni.



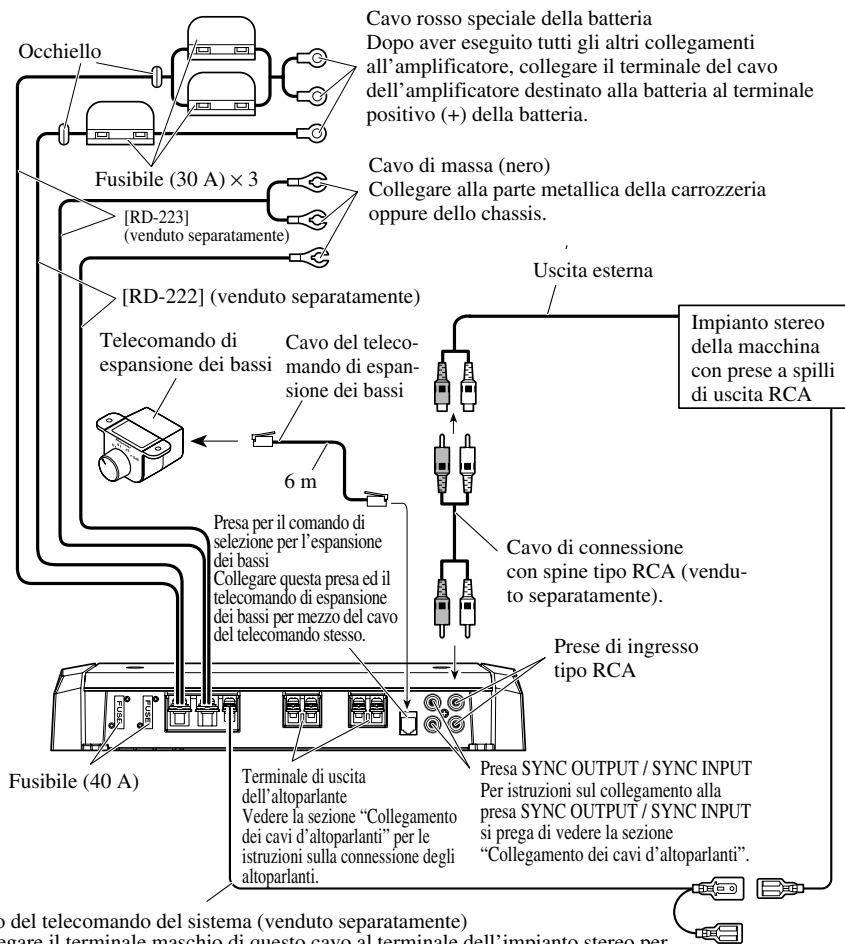
PRECAUZIONE:

Per evitare danneggiamenti e/o lesioni

- Non mettere direttamente alla massa il cavo dell'altoparlante oppure collegare un cavo negativo (-) a diversi altoparlanti.
- Questa unità è fornita per veicoli con una batteria da 12 volt ed una messa alla massa negativa. Prima di installarla in un veicolo, autocarro oppure un autobus, controllare la tensione della batteria.
- Se l'impianto stereofonico della vettura viene lasciato in funzionamento per un lungo periodo di tempo a motore spento o al minimo, la batteria può esaurirsi. Disattivare l'impianto stereo della macchina quando il motore è fermo o al minimo.
- Se il cavo di telecomando del sistema dell'amplificatore viene collegato al terminale dell'alimentazione attraverso l'interruttore di accensione (12 V, CC), l'amplificatore sarà sempre attivato quando l'accensione è attivata, indipendentemente dal fatto che l'impianto stereo della macchina sia attivato oppure no. Dovuto a questa condizione, la batteria potrà esaurirsi se si lascia il motore fermo o al minimo.
- NON collegare un subwoofer caratterizzato da un valore d'impedenza inferiore a quello specificato nella sezione "Come collegare l'unità". A causa di collegamenti non conformi alle specifiche fornite si potrebbe infatti verificare il danneggiamento dell'amplificatore, il suo surriscaldamento oppure un'emissione di fumo. La superficie esterna dell'amplificatore potrebbe inoltre divenire molto calda e causare quindi lievi ustioni.
- Collegate all'amplificatore uno dei tre subwoofer; 1: un subwoofer provvisto di ingresso nominale da 420 W o più ed un'impedenza da 4 Ω, 2: un subwoofer provvisto di ingresso nominale da 600 W o più ed un'impedenza da 2 Ω oppure 3: un subwoofer provvisto di ingresso nominale da 600 W o più ed un'impedenza da 1 Ω. Qualora sia l'ingresso nominale che l'impedenza si trovassero al di fuori delle gamme qui indicate, il subwoofer potrebbe dare luogo ad incendi, emettere fumo o comunque danneggiarsi.
- Installare ed istradare il cavo per la batteria (venduto separatamente) quanto più possibile lontano dai cavi degli altoparlanti. Installare ed istradare i cavi della batteria e della messa a terra (venduti separatamente), degli altoparlanti e dell'amplificatore quanto più lontani possibile dall'antenna, dal cavo dell'antenna e dal sintonizzatore.
- I cavi per questo apparecchio e quelli per altri apparecchi possono avere colori diversi, pur svolgendo la stessa funzione. Per il collegamento di questo apparecchio ad un'altro, vedere i manuali di entrambi gli apparecchi, e provvedere al collegamento dei cavi aventi la stessa funzione.

Schema di collegamento

- Questo schema mostra le connessioni in caso di utilizzo dell'uscita esterna. Fare scorrere verso destra il selettore d'ingresso.
- In caso di collegamento all'ingresso RCA di un'uscita esterna proveniente dall'apparecchio stereo del veicolo, si raccomanda di utilizzare la presa che fornisce la gamma sonora completa. Ciò è giustificato dal fatto che il filtro passa-basso dell'amplificatore non può essere disattivato. Qualora tale presa non possa essere utilizzata si suggerisce di collegare l'uscita del subwoofer all'ingresso RCA.
- Le connessioni tuttavia differiscono qualora si utilizzi l'uscita altoparlanti. Per maggiori informazioni in merito si rimanda alla sezione "Utilizzo dell'ingresso altoparlanti". In entrambi i casi è necessario regolare la posizione del selettore d'ingresso. Per maggiori informazioni in merito si rimanda alla sezione "Regolazione di questa unità".
- Usare sempre gli speciali cavi rossi per batteria ([RD-223] e [RD-222]), venduti a parte. Collegare il cavo per la batteria direttamente al terminale positivo (+) della batteria dell'auto, ed il cavo per la messa a terra al corpo dell'autovettura. Il collegamento di uno solo di questi potrebbe causare la bruciatura del fusibile.



Cavo del telecomando del sistema (venduto separatamente)
Collegare il terminale maschio di questo cavo al terminale dell'impianto stereo per il telecomando del sistema (SYSTEM REMOTE CONTROL). Il terminale femmina può essere collegato al terminale di comando del relè dell'antenna automatica. Se l'impianto stereo della macchina non presenta un terminale per il telecomando del sistema, collegare il terminale maschio al terminale dell'alimentazione attraverso l'interruttore di accensione.

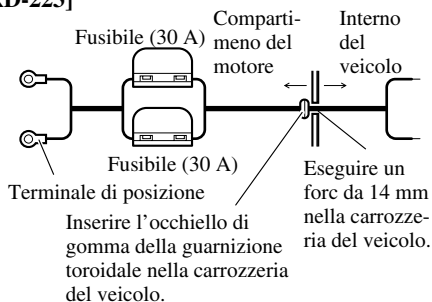
Come collegare il terminale dell'alimentazione

- Usare sempre gli speciali cavi rossi per batteria ([RD-223] e [RD-222]), venduti a parte. Collegare il cavo per la batteria direttamente al terminale positivo (+) della batteria dell'auto, ed il cavo per la messa a terra al corpo dell'autovettura. Il collegamento di uno solo di questi potrebbe causare la bruciatura del fusibile.

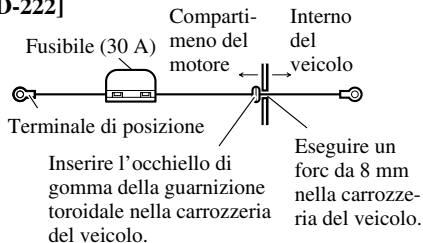
1. Far passare il cavo della batteria dal vano motore all'interno dell'abitacolo.

- Dopo aver eseguito tutti gli altri collegamenti all'amplificatore, collegare il terminale del cavo dell'amplificatore destinato alla batteria al terminale positivo (+) della batteria.

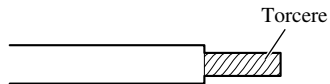
[RD-223]



[RD-222]

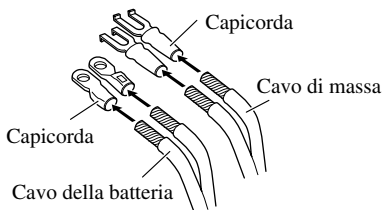


2. Attorcigliare l'estremità del cavo della batteria, del cavo di messa a terra, e del cavo di comando a distanza del sistema.



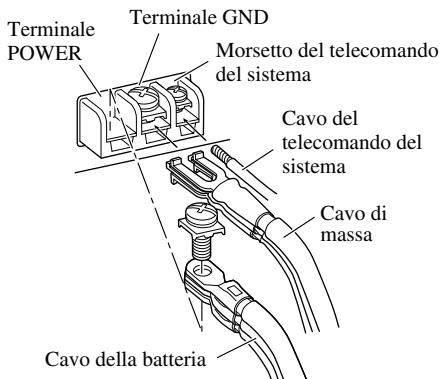
3. Applicare degli spinotti alle estremità dei cavi. I capicorda non sono forniti.

- Usare le pinze, ecc., per raggrinzire i capicorda stringendoli ai cavi.



4. Collegare i cavi al morsetto.

- Fissare saldamente i cavi con le viti per morsetti.

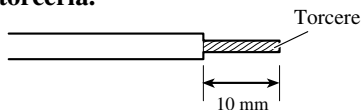


ATTENZIONE

Qualora non si fissi saldamente al terminale il cavo della batteria al terminale con le apposite viti, l'area del terminale stesso potrebbe surriscaldarsi divenendo quindi eventualmente causa di danneggiamenti e di lesioni quali, ad esempio, lievi ustioni.

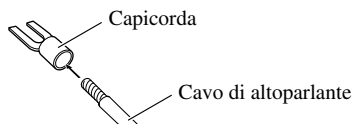
Come collegare il terminale di uscita degli altoparlanti

1. Utilizzando delle pinze oppure una tagliatrice esporre l'estremità dei cavi di altoparlanti per circa 10 mm e torcerla.



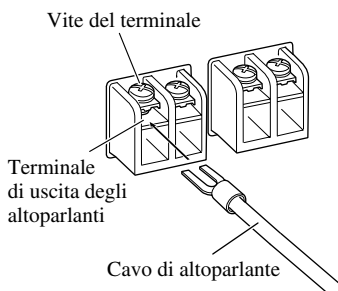
2. Applicare degli spinotti alle estremità del cavo degli altoparlanti. I capicorda non sono forniti.

- Usare le pinze, ecc., per raggrinzire i capicorda stringendoli ai cavi.



3. Collegare i cavi degli altoparlanti al terminale di uscita degli altoparlanti.

- Fissare saldamente i cavi con le viti per morsetti.

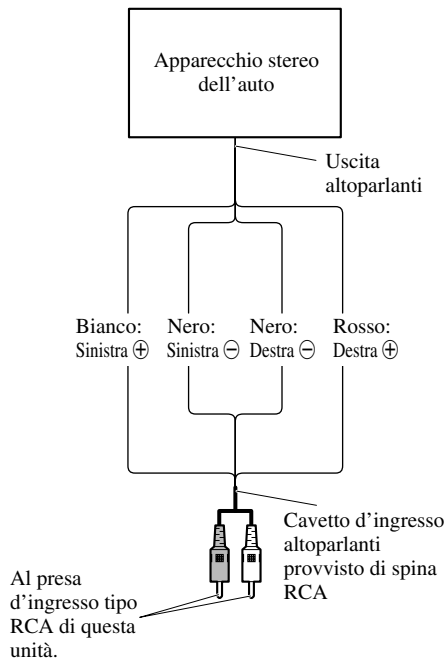


Utilizzo dell'ingresso altoparlanti

Con i cavetti d'ingresso altoparlanti provvisti di spina RCA, forniti in dotazione, collegare all'amplificatore i cavetti dell'uscita altoparlanti dell'apparecchio stereo dell'auto.

- Fare scorrere il selettore a destra.

■ Connessioni in caso di utilizzo dell'ingresso altoparlanti.



- Collegando il cavo d'uscita altoparlanti dell'apparecchio stereo dell'auto all'amplificatore, quest'ultimo si accende automaticamente all'accensione dell'apparecchio stereo dell'auto. In tal caso non è necessario collegare il cavo del telecomando del sistema.
- Qualora il collegamento tra amplificatore e unità principale sia eseguito utilizzando un cavo d'ingresso diffusori provvisto di spina RCA, esso si accenderebbe solamente in caso di effettivo utilizzo. Qualora siano connessi due o più amplificatori sincronizzati, tutti questi e l'unità principale devono essere collegati mediante il cavo di telecomando del sistema.

Nota:

- Il cavo del telecomando del sistema deve essere collegato quando non si desidera che l'amplificatore si accenda all'accensione dell'apparecchio stereo dell'auto.

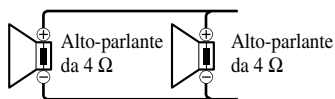
Collegamento dei cavi d'altoparlanti

Collegare i cavi degli altoparlanti e fare scorrere i selettori MODE SELECT e POWER MODE in accordo alla configurazione mostrata nelle figure riportate qui sotto e nella pagina successiva.

- In caso di combinazione di due o più amplificatori sincronizzati si raccomanda di utilizzare solo questi ultimi. Questi non devono tuttavia essere usati congiuntamente ad altri amplificatori.
- In caso di combinazione di due o più amplificatori sincronizzati, di quello che per mezzo del commutatore MODE SELECT sia stato configurato come MASTER si raccomanda di impostare il controllo di guadagno, la selezione subsonica, il controllo della frequenza di taglio del filtro passa-basso e il controllo di potenziamento dei bassi. Queste impostazioni sono inefficaci se eseguite per gli amplificatori impostati su SYNC o su SYNC INV.

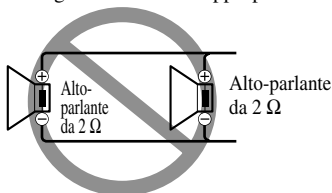
! PRECAUZIONE

Diagramma A - Appropriato



Collegamento in parallelo da 2 Ω

Diagramma B - Non appropriato



Collegamento in parallelo da 1 Ω

NON installare o usare questo amplificatore collegandovi in parallelo altoparlanti da 2 Ω o meno in modo da ottenere un collegamento a ponte da 1 Ω o meno (diagramma B).

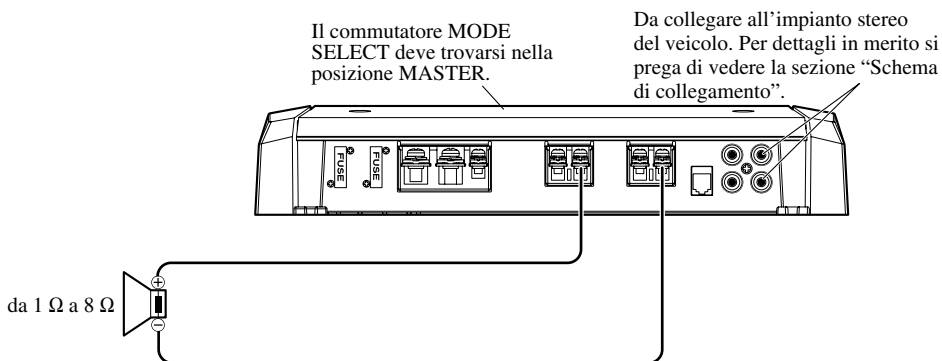
Effettuando impropriamente i collegamenti in parallelo, si può provocare fumo, surriscaldamento o danni all'amplificatore. Inoltre, la superficie dell'amplificatore può riscaldarsi al punto da causare lievi ustioni.

Per installare o impiegare correttamente un collegamento in parallelo ed ottenere un carico da 2 Ω si suggerisce di collegare in parallelo due altoparlanti da 4 Ω con i terminali positivo sinistro e negativo destro (diagramma A) oppure d'impiegare un singolo altoparlante da 2 Ω.

Se l'impedenza artificiale è compresa tra 2 Ω e meno di 4 Ω è necessario fare scorrere il commutatore POWER MODE nella posizione HI-CURRENT.

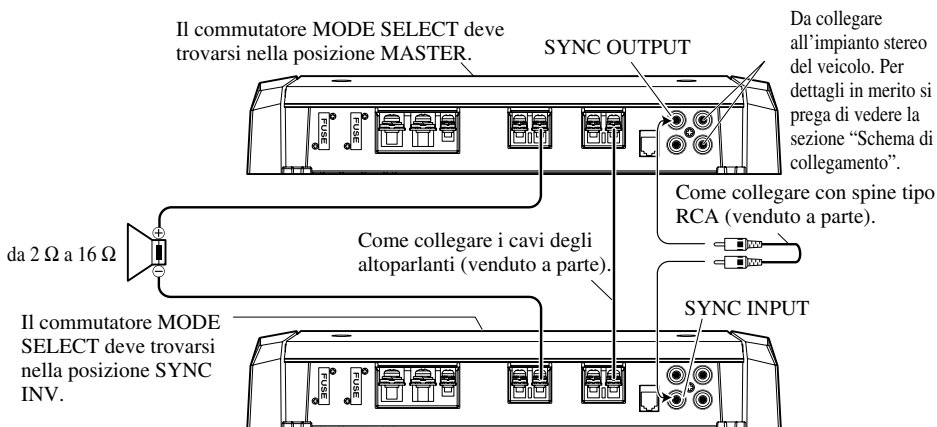
Inoltre, per ulteriori informazioni sulla corretta procedura di collegamento si rimanda al manuale d'istruzioni degli altoparlanti.

Amplificatore singolo



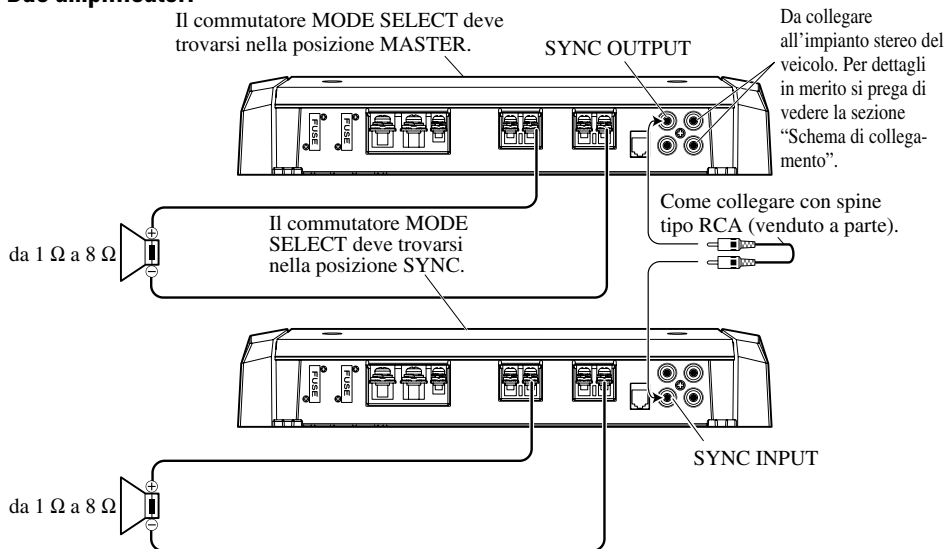
- Impiegare altoparlanti con impedenza compresa tra 1 Ω e 8 Ω.
- L'impostazione del selettore POWER MODE varia in funzione dell'impedenza degli altoparlanti. Per maggiori informazioni in merito si rimanda alla sezione "Regolazione di questa unità".

Due amplificatori (esempio di collegamento in parallelo)



- Impiegare esclusivamente altoparlanti con impedenza compresa tra 2 Ω e 16 Ω. In caso di collegamento in parallelo di più altoparlanti è necessario verificare che il valore d'impedenza artificiale sia di almeno 2 Ω.
- L'impostazione del selettore POWER MODE varia in funzione dell'impedenza degli altoparlanti. Qualora tale impedenza sia compresa tra 2 Ω e meno di 4 Ω è necessario fare scorrere il selettore POWER MODE nella posizione HI-CURRENT, oppure nella posizione NORMAL qualora sia compresa tra 4 Ω e 16 Ω. La stessa impostazione deve essere eseguita per entrambi gli amplificatori.
- Per impostare la modalità SYNC INV è necessario rimuovere innanzi tutto la pellicola protettiva dal commutatore MODE SELECT, sotto la quale si trova il selettore SYNC INV. Si raccomanda di rimuovere la pellicola dopo essersi accertati che i collegamenti siano stati correttamente eseguiti.

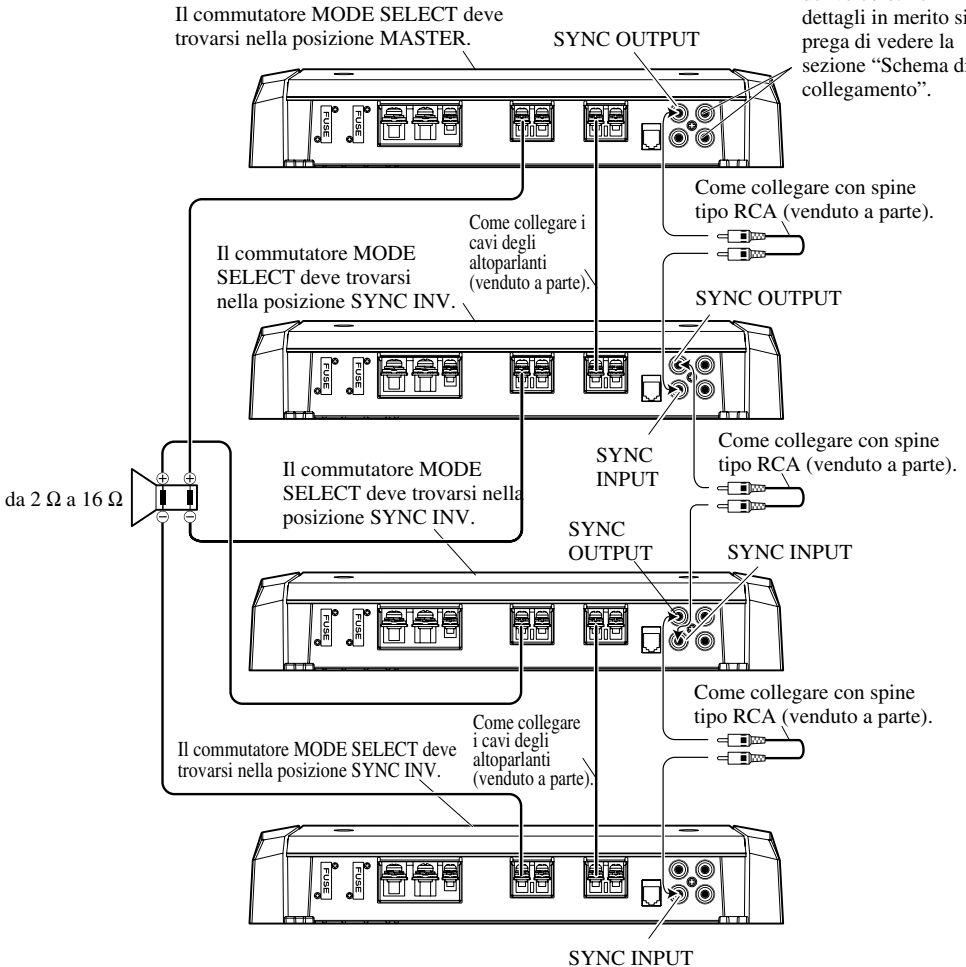
Due amplificatori



- Impiegare altoparlanti con impedenza compresa tra 1 Ω e 8 Ω.
- L'impostazione del selettore POWER MODE varia in funzione dell'impedenza degli altoparlanti. Per maggiori informazioni in merito si rimanda alla sezione "Regolazione di questa unità". La stessa impostazione deve essere eseguita per entrambi gli amplificatori.

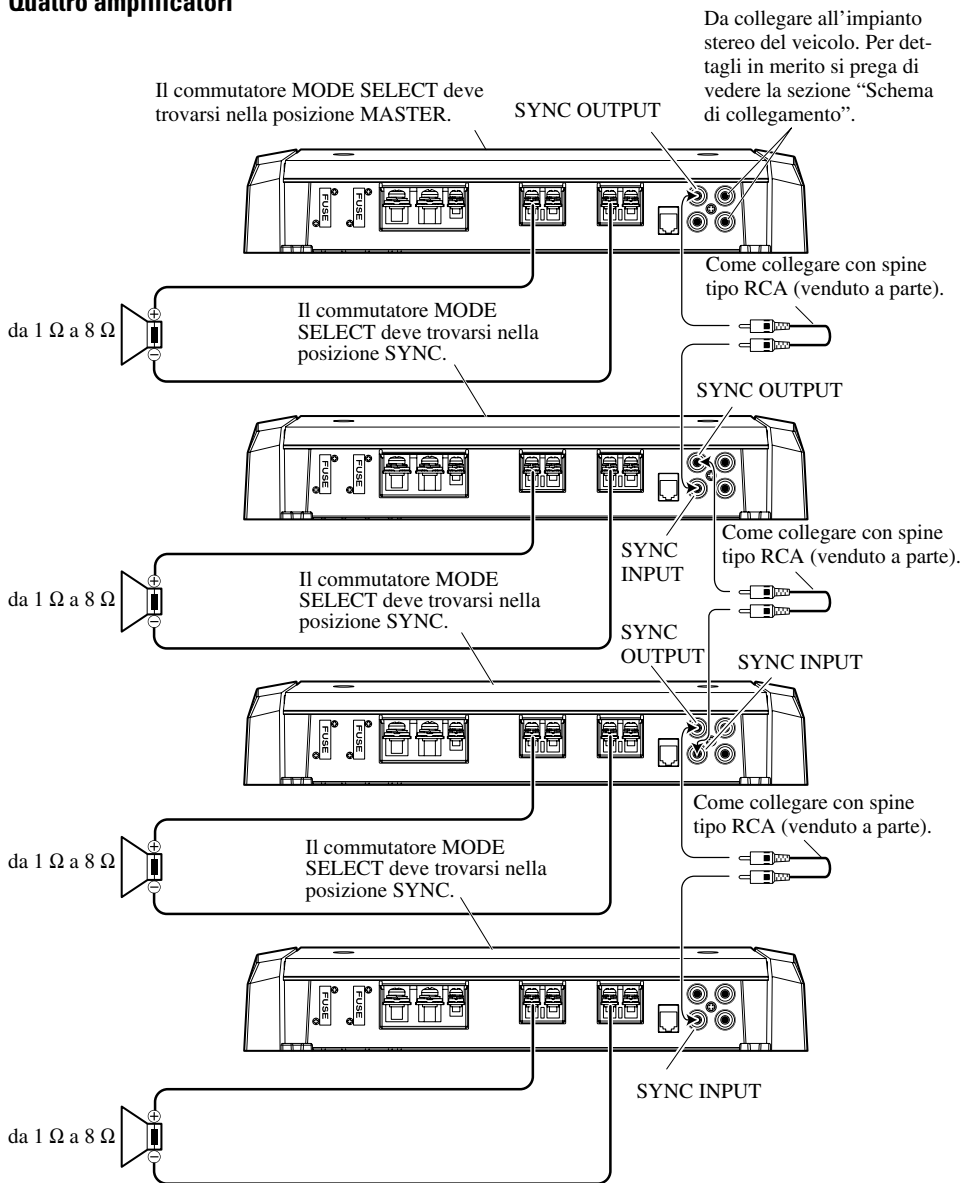
Quattro amplificatori (esempio di collegamento in parallelo)

Da collegare all'impianto stereo del veicolo. Per dettagli in merito si prega di vedere la sezione "Schema di collegamento".



- Impiegare esclusivamente altoparlanti con impedenza compresa tra 2 Ω e 16 Ω . In caso di collegamento in parallelo di piú altoparlanti è necessario verificare che il valore d'impedenza artificiale sia di almeno 2 Ω .
- L'impostazione del selettore POWER MODE varia in funzione dell'impedenza degli altoparlanti. Qualora tale impedenza sia compresa tra 2 Ω e meno di 4 Ω è necessario fare scorrere il selettore POWER MODE nella posizione HI-CURRENT, oppure nella posizione NORMAL qualora sia compresa tra 4 Ω e 16 Ω . La stessa impostazione deve essere eseguita per tutti e quattro gli amplificatori.
- Per impostare la modalità SYNC INV è necessario rimuovere innanzi tutto la pellicola protettiva dal commutatore MODE SELECT, sotto la quale si trova il selettore SYNC INV. Si raccomanda di rimuovere la pellicola dopo essersi accertati che i collegamenti siano stati correttamente eseguiti.

Quattro amplificatori



- Impiegare altoparlanti con impedenza compresa tra 1 Ω e 8 Ω .
- L'impostazione del selettore POWER MODE varia in funzione dell'impedenza degli altoparlanti. Per maggiori informazioni in merito si rimanda alla sezione "Regolazione di questa unità". La stessa impostazione deve essere eseguita per tutti e quattro gli amplificatori.



PRECAUZIONE

- Non installare l'unità sulle posizioni seguenti:
 - Posti dove potrebbe ferire il conducente o i passeggeri se il veicolo si arresta bruscamente.
 - Posti dove potrebbe disturbare il conducente, come pavimento verso la parte anteriore del sedile del conducente.
- Assicurarsi che i cavi non vengano presi nel meccanismo a scorrimento del sedile, provocando così un cortocircuito.
- Verificare che nulla si trovi dietro il pannello quando si esegue un foro per l'installazione dell'amplificatore. Assicurarsi di proteggere tutti i cavi e componenti importanti come linee del carburante, linee del freno e cablaggio elettrico, contro i danni.
- Installare le viti autofilettanti in tale modo che le punte delle viti non siano in contatto con i cavi. Questa precauzione è importante per evitare che i cavi vengano tagliati dalle vibrazioni della vettura, poiché ciò può risultare in un incendio.
- NON lasciare che l'amplificatore entri in contatto con liquidi nel luogo in cui esso è installato. Si potrebbero generare infatti scosse elettriche. Il contatto con i liquidi può altresì danneggiare l'amplificatore stesso e i diffusori, con emissione di fumo e creazione di surriscaldamento. La superficie dell'amplificatore o quella degli altoparlanti ad esso collegati potrebbe inoltre divenire molto calda e, al contatto, procurare piccole scottature.
- Per ottenere una installazione appropriata, utilizzare le parti fornite nel modo specificato. Se qualunque parte diversa da quelle fornite viene utilizzata, potrà danneggiare le parti interne dell'amplificatore, oppure potrà allentarsi e l'amplificatore rischia di danneggiarsi.
- Non sostituire mai il fusibile con uno di valore o taratura superiore a quella del fusibile originale. L'uso di fusibili non adeguati può determinare un surriscaldamento o generare fumo, eventualmente danneggiando il prodotto e procurando lesioni o ustioni.



PRECAUZIONE:

Per evitare malfunzionamenti e/o lesioni

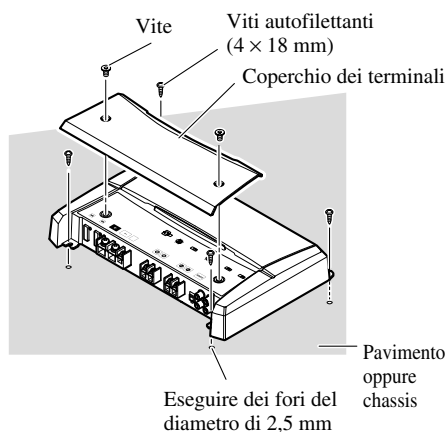
- Per assicurare una dissipazione appropriata di calore dall'amplificatore, fare attenzione ai seguenti punti per l'installazione.
 - Lasciare uno spazio adeguato sopra l'amplificatore per ottenere una ventilazione appropriata.
 - Non ricoprire l'amplificatore con tappeti o moquette.
- NON lasciare che l'amplificatore entri in contatto con liquidi nel luogo in cui esso è installato. Si potrebbero generare infatti scosse elettriche. Il contatto con i liquidi può altresì danneggiare l'amplificatore stesso e i diffusori, con emissione di fumo e creazione di surriscaldamento. La superficie dell'amplificatore o quella degli altoparlanti ad esso collegati potrebbe inoltre divenire molto calda e, al contatto, procurare piccole scottature.
- Non installare l'amplificatore in luoghi instabili come il pannello della ruota di scorta.
- Verificare che nulla si trovi dietro il pannello quando si esegue un foro per l'installazione dell'amplificatore. Assicurarsi di proteggere tutti i cavi e componenti importanti come linee del carburante, linee del freno e cablaggio elettrico, contro i danni.
- Eseguire prima i collegamenti provvisori, poi verificare se l'amplificatore ed il sistema funzionano in modo adeguato.
- Per ottenere una installazione appropriata, utilizzare le parti fornite nel modo specificato. Se qualunque parte diversa da quelle fornite viene utilizzata, potrà danneggiare le parti interne dell'amplificatore, oppure potrà allentarsi e l'amplificatore rischia di danneggiarsi.

Esempio dell'installazione sul pavimento oppure sullo chassis

1. **Posizionare l'amplificatore dove deve essere installato. Inserire le viti autofilettanti fornite (4×18 mm) nei fori delle viti. Spingere le viti con un cacciavite per fare dei segni dove i fori dell'installazione devono essere fatti.**
2. **Eeguire dei fori del diametro di 2,5 mm al punto marcato ed installare l'amplificatore, sia su tappeto, sia direttamente sullo chassis.**

Riapplicazione del coperchio dei terminali

1. **Allineare il coperchio dei terminali all'unità ed inserire le viti.**
2. **Serrare bene le viti con la chiave esagonale da 4 mm.**



| | |
|---|---|
| Alimentazione | 14,4 V CC (10,8 V a 15,1 V permissibili) |
| Collegamento a terra | Tipo negativo |
| Consumo | 39 A (ad alimentazione continua, 4 Ω) |
| Corrente media consumata* | 12 A (4 Ω per una canale) 20 A (2 Ω per una canale) 28 A (1 Ω per una canale) |
| Fusibile (esterno) | 40 A \times 2 |
| Dimensioni | 304 (L) \times 56 (A) \times 195 (P) mm |
| Peso | 2,9 kg (Cavi per il cablaggio non compresi) |
| Uscita massima di potenza | 800 W \times 1 (4 Ω) / 1 200 W \times 1 (1 Ω a 2 Ω) |
| Potenza continua (14,4 V) | Modo NORMAL: 4 Ω , da 20 Hz a 240 Hz, THD 1,0%, 400 W \times 1 2 Ω , 100 Hz, THD 1,0%, 600 W \times 1 Modo HI-CURRENT: 4 Ω , da 20 Hz a 240 Hz, THD 1,0%, 150 W \times 1 2 Ω , 100 Hz, THD 1,0%, 300 W \times 1 1 Ω , 100 Hz, THD 1,0%, 600 W \times 1 |
| Impedenza di carico | 4 Ω (1 Ω a 8 Ω permissibili) |
| Risposta in frequenza | 10 Hz a 240 Hz (+0 dB, -3 dB) |
| Rapporto S/N | 92 dB (rete IEC-A) |
| Distorsione | 0,5 % (10 W, 100 Hz) |
| Filtro passa-basso | Frequenza di taglio: 40 Hz a 240 Hz Pendenza di taglio: -18 dB/ottava |
| Filtro subsonico (HPF) | Frequenza: 20 Hz Pendenza: -18 dB |
| Potenziamento dei bassi | Frequenza: 50 Hz Livello: 0 / 6 / 9 / 12 dB |
| Controllo di guadagno | RCA: 400 mV a 6,5 V SP: 1,6 V a 26 V |
| Livello di ingresso massimo / impedenza | RCA: 6,5 V / 22 k Ω SP: 26 V / 90 k Ω |

Nota:

- Caratteristiche tecniche e design soggetti a modifiche senza preavviso a causa di migliorie.

*Corrente media consumata

- La corrente media consumata è circa uguale alla corrente massima consumata da questa unità quando un segnale audio viene immesso. Tenere presente questo valore per il calcolo della corrente totale consumata dai vari amplificatori utilizzati.

| | |
|---|-----------|
| Alvorens gebruik | 1 |
| Bezoek onze website | 1 |
| Bij problemen | 2 |
| Over dit product | 2 |
| WAARSCHUWING | 2 |
| WAARSCHUWING | 2 |
| Instellen van dit toestel | 3 |
| Aansluitingenafdekking | 3 |
| Spanningsindicator | 3 |
| Subsonic Keuzetoets | 3 |
| Bass Boost regelaar | 3 |
| BFC (Beat Frequency Control) schakelaar | 3 |
| MODE SELECT schakelaar | 4 |
| Versterkingsregelaar | 4 |
| Regelaar voor drempelfrequentie voor LPF | 4 |
| Ingangsschakelaar | 4 |
| POWER MODE schakelaar | 4 |
| Aansluiten van het toestel | 5 |
| Aansluitschema | 6 |
| Aansluiten van het spanningsaansluitpunt | 7 |
| Verbinden van de luidsprekeruitgangsaansluitingen | 8 |
| Gebruik van de luidspreker-ingang | 8 |
| Aansluiten van de luidsprekerdraden | 9 |
| Installatie | 13 |
| Voorbeeld van installatie op de vloermat of op het chassis | 14 |
| Terugzetten van de aansluitingenafdekking | 14 |
| Technische gegevens | 15 |

Dank U zeer voor de aanschaf van dit PIONEER-product. Lees deze gebruiksaanwijzing goed door, voordat het toestel in gebruik genomen wordt.



Deponeer dit product niet bij het gewone huishoudelijk afval wanneer u het wilt verwijderen. Er bestaat een speciaal wettelijk voorgescreven verzamelsysteem voor de juiste behandeling, het opnieuw bruikbaar maken en de recycling van gebruikte elektronische producten.

In de 25 lidstaten van de EU, Zwitserland en Noorwegen kunnen particulieren hun gebruikte elektronische producten gratis bij de daarvoor bestemde verzamelplaatsen of een verkooppunt (indien u aldaar een gelijkwaardig nieuw product koopt) inleveren.

Indien u zich in een ander dan bovengenoemd land bevindt kunt u contact opnemen met de plaatselijke overheid voor informatie over de juiste verwijdering van het product.

Zodoende zorgt u ervoor dat het verwijderde product op de juiste wijze wordt behandeld, opnieuw bruikbaar wordt gemaakt, gerecycled en het niet schadelijk is voor de gezondheid en het milieu.

Bezoek onze website

Hier vindt u onze site:



- Registreer uw product. Wij bewaren de gegevens van het product dat u heeft aangeschaft zodat u deze eenvoudig kunt opvragen als u die nodig mocht hebben voor de verzekering na bijvoorbeeld verlies of diefstal.
- Op onze website vindt u de laatste informatie over Pioneer Corporation.

Bij problemen

Neem contact op met uw dealer of het dichtstbijzijnde PIONEER service-centrum, wanneer de eenheid niet juist functioneert.

Over dit product

Dit product is een versterker voor de subwoofer. Als zowel de L (linker) als R (rechter) kanalen zijn aangesloten op de RCA (tulp) ingangsaansluitingen van dit product, zal de geluidswaardering gemengd zijn omdat dit product een mono-versterker is.

WAARSCHUWING

Vervang de zekering in geen geval door één met een hoger vermogen of hogere waarde dan de originele. Gebruik van een verkeerde zekering kan leiden tot oververhitting en rookontwikkeling en tot beschadiging van het product en letsel, bijvoorbeeld brandwonden.

WAARSCHUWING

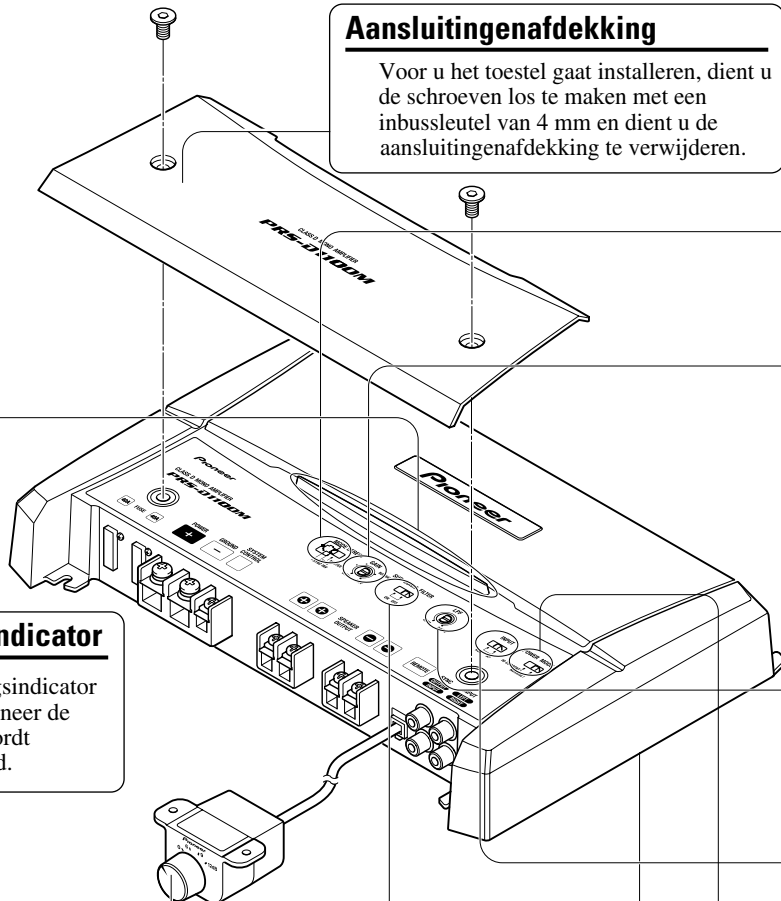
- Gebruik altijd het los verkrijgbare, speciale rode accu- en aarddraad ([RD-223] en [RD-222]). Verbind het accudraad direct met de positieve pool (+) van de autoaccu en het aarddraad met het chassis van de auto. Het risico bestaat dat de zekering doorbrandt wanneer slechts één van deze wordt aangesloten.
- Raak de versterker niet met natte handen aan. U zou anders een elektrische schok kunnen krijgen. Raak de versterker tevens niet aan wanneer deze nat is.
- Voor de verkeersveiligheid dient u het volume zodanig in te stellen dat u verkeerssignalen en ander verkeer nog goed kunt horen.
- Controleer de verbindingen van de spanningstoevoer en luidsprekers in de zekering van het los verkrijgbare accudraad of de zekering van de versterker regelmatig doorbrandt. Zoek de oorzaak en los het probleem op. Plaats vervolgens een nieuwe zekering van hetzelfde formaat en ampère.
- Om een onjuiste werking van de versterker en luidsprekers te voorkomen, schakelt het beschermingscircuit van de versterker de spanning naar de versterker uit indien de omstandigheden niet normaal zijn. Schakel in dit geval de spanning van het systeem uit (OFF), controleer de verbinding met de spanningsbron en luidsprekers. Zoek de oorzaak en los het probleem op.
- Raadpleeg de plaats van aankoop indien u de oorzaak niet kunt vinden.
- Om een elektrische schok of kortsluiting te voorkomen tijdens het aansluiten en installeren, moet de negatieve (-) pool van de accu worden ontkoppeld voordat u de eenheid aansluit.
- Controleer of er zich geen onderdelen achter het paneel bevinden wanneer u een gat boort voor de installatie van de versterker. Zorg ervoor dat alle kabels en belangrijke onderdelen zoals brandstofleidingen, remleidingen en de elektrische bedrading beveiligd zijn en niet kunnen worden beschadigd.
- Laat de versterker IN GEEN GEVAL in contact komen met vloeistoffen, bijvoorbeeld als gevolg van de opstelling van de versterker. Dit kan leiden tot elektrische schokken. De versterker en luidsprekers kunnen ook beschadigd raken, rook produceren en oververhit raken door contact met vloeistoffen. Daarbij kan het oppervlak van de versterker en het oppervlak van aangesloten luidsprekers heet worden, hetgeen kan leiden tot lichte brandwonden.

Instellen van dit toestel

- Om de schakelaar te verzetten kunt u indien nodig een kleine schroevendraaier gebruiken.

Aansluitingenafdekking

Voor u het toestel gaat installeren, dient u de schroeven los te maken met een inbusleutel van 4 mm en dient u de aansluitingenafdekking te verwijderen.



Spanningsindicator

De spanningsindicator licht op wanneer de spanning wordt ingeschakeld.

Subsonic Keuzetoets

Het Subsonic filter houdt onhoorbare frequenties lager dan 20 Hz tegen om ongewenste vibraties te voorkomen en vermogensverliezen te minimaliseren.

Bass Boost regelaar

U kunt de lage tonen extra versterken (Bass Boost) met 0, 6, 9 of 12 dB.

Voor aanwijzingen omtrent het aansluiten van de Bass Boost afstandsbediening op de versterker, verwijzen we u naar het "Aansluitschema".

BFC (Beat Frequency Control) schakelaar

De BFC schakelaar bevindt zich aan de onderkant van het toestel. Als u een ritmisch geluid (beat) hoort wanneer u naar een MW/LW uitzending luistert met uw autostereo, kunt u de BFC schakelaar verzetten met behulp van een kleine schroevendraaier.

MODE SELECT schakelaar

U kunt de synchronisatiefunctie van de versterker instellen op MASTER, SYNC, of SYNC INV. Zet de MODE SELECT schakelaar op MASTER wanneer u alleen de versterker gebruikt. Wanneer u twee of meer van deze synchroon geschakelde versterkers gebruikt, dient u de eerste daarvan op MASTER te zetten en de resterende op SYNC of SYNC INV afhankelijk van de manier waarop ze zijn aangesloten. De versterkers moeten alleen op SYNC INV worden ingesteld wanneer ze synchroon geschakeld zijn in een brugschakeling. Wanneer u over wilt schakelen naar de SYNC INV stand zult u het stickertje van de MODE SELECT schakelaar af moeten halen zodat u de SYNC INV schakelaar kunt zien. Haal het stickertje pas weg nadat u zich ervan heeft overtuigd dat de verbindingen correct gemaakt zijn. Zie "Aansluiten van de luidsprekerdraden" voor details omtrent de MODE SELECT schakelaar.

Versterkingsregelaar

Draai de versterkingsregelaar naar rechts indien de weergave te zacht klinkt, zelf wanneer het volume is verhoogd met de autostereo die u met deze eindversterker gebruikt. Draai de versterkingsregelaar naar links indien het geluid vervormt wanneer het volume wordt verhoogd.

- Wanneer u een auto-stereo gebruikt met RCA (standaard uitgangsspanning 500 mV), dient u de NORMAL stand in te stellen. Wanneer u een Pioneer autostereo met RCA gebruikt, met een maximale uitgangsspanning van 4 V of meer, dient u het niveau aan te passen aan het uitgangsniveau van de autostereo.
- Wanneer u te veel ruis hoort bij het gebruik van de luidsprekeringsaansluitingen, moet u de versterkingsregelaar naar links draaien.

Regelaar voor drempelfrequentie voor LPF

U kunt een drempelfrequentie van 40 Hz t/m 240 Hz kiezen.

Ingangsschakelaar

Het is mogelijk signalen te ontvangen van de externe uitgang van een autostereo of de luidspreker-uitgang van een autostereo. Verzet de ingangsschakelaar voor u de stroom inschakelt. Omdat er een zeer hard geluid geproduceerd kan worden via de luidsprekers wanneer u de ingangsschakelaar omzet terwijl de stroom is ingeschakeld, zal de stroom worden uitgeschakeld door een ingebouwde beveiliging. Bij gebruik van een externe uitgang dient u deze schakelaar naar links te zetten. Voor instructies betreffende de aansluitingen verwijzen we u naar het "Aansluitschema". Bij gebruik van een luidspreker-uitgang dient u de schakelaar naar rechts te zetten. In dit geval is het nodig het meegeleverde luidspreker-ingangssnoer met RCA (tulp) stekkers te gebruiken. Zie voor details de paragraaf "Gebruik van de luidspreker-ingang".

POWER MODE schakelaar

Bij gebruik van luidsprekers met een synthetische impedantie van 2Ω t/m 8Ω , dient u deze schakelaar in de rechter stand (NORMAL) te zetten. Bij gebruik van luidsprekers met een synthetische impedantie tussen 1Ω en 2Ω , dient u deze schakelaar in de linker stand (HI-CURRENT) te zetten. Deze instellingen worden alleen gebruikt wanneer u een enkele versterker gebruikt. Zie "Aansluiten van de luidsprekerdraden" wanneer u meerdere versterkers wilt combineren.

Als de luidsprekerimpedantie hoger is dan 2Ω (4Ω in brugschakeling), kunt u met deze schakelaar in de NORMAL stand een hoger vermogen realiseren dan wanneer de POWER MODE schakelaar op HI-CURRENT zou staan.



WAARSCHUWING

- Voorkom kortsluiting en beschadiging van de eenheid en ontkoppel de negatieve (-) accupool van het voertuig.
- Zet de bedrading met kabelklemmen of isoleer- of plakband vast. Bescherm de bedrading door de gedeelten in de buurt van metalen delen met isoleerband af te dekken.
- Leid de draden niet langs plaatsen die heet worden, bijvoorbeeld in de buurt van de verwarmingselementen. Indien de isolatie van draden heet wordt, zullen de draden worden beschadigd met kortsluiting tot gevolg.
- Zorg dat de bedrading de werking van bewegende of verplaatsbare onderdelen, bijvoorbeeld de versnelling, handrem of stoelverstelmechanismen van het de auto niet hindert.



WAARSCHUWING:

Om beschadiging en/of letsel te voorkomen

- Aard het luidsprekersnoer niet rechtstreeks en sluit evenmin een negatief snoer (-) aan voor verschillende luidsprekers.
- Dit toestel is ontworpen voor auto's met een accu van 12 V en negatieve aarding. Kijk bijgevolg eerst de accuspanning na voor u het toestel installeert in een recreatief voertuig, vrachtwagen of bus.
- De accu raakt mogelijk uitgeput indien de autostereo langdurig is ingeschakeld maar de motor stationair draait of is uitgeschakeld. Zet de autostereo uit wanneer de motor stationair draait of is uitgeschakeld.
- Als het systeem-afstandbedieningssnoer van de versterker is aangesloten op de spanningsaansluiting via de contactschakelaar (12 V gelijkstroom), is de versterker altijd ingeschakeld wanneer het contact aanstaat, ongeacht of de autostereo wel of niet door u is aangezet. Hierdoor raakt de accu mogelijk uitgeput wanneer de motor stationair draait of is uitgeschakeld.
- Sluit GEEN subwoofer aan met een lagere impedantie dan opgegeven onder "Aansluiten van het toestel". Dit kan namelijk leiden tot schade aan de versterker, rookontwikkeling en oververhitting. Ook kan het oppervlak van de versterker heet aanvoelen, hetgeen zelfs kan leiden tot lichte brandwonden.

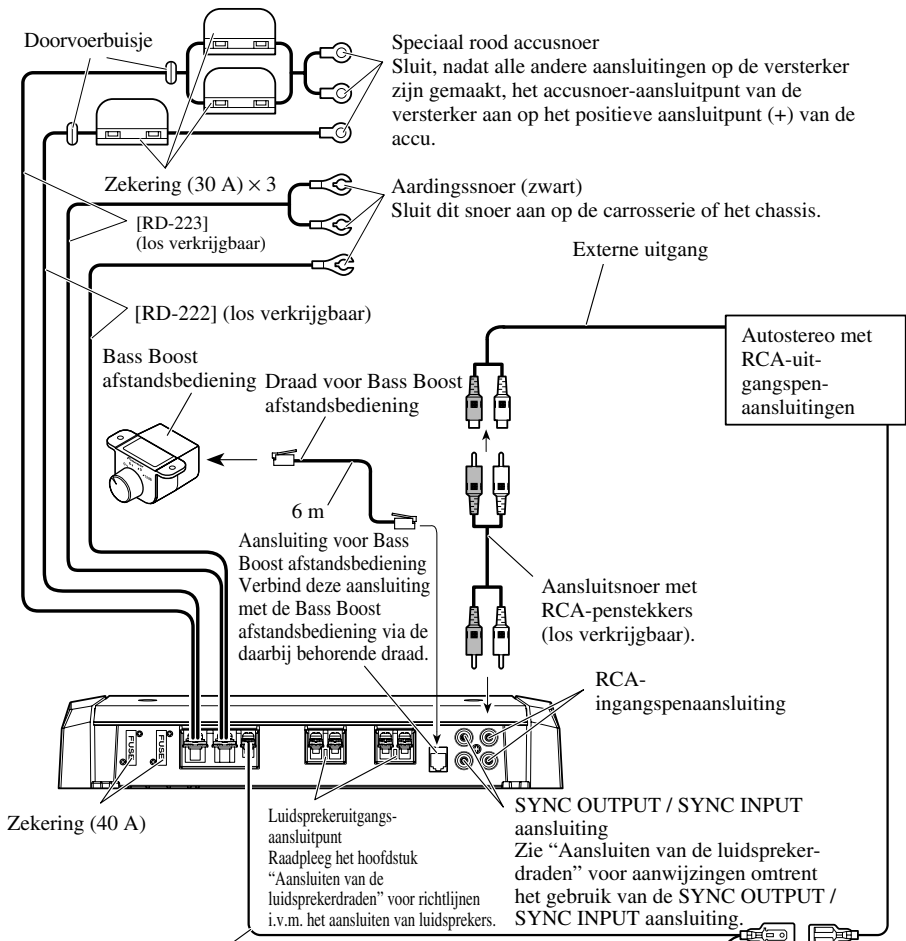
- Sluit draden niet kort. Het beschermingscircuit werkt anders namelijk niet wanneer het voor de veiligheid zou moeten functioneren.
- Tap het spanningsdraad van dit toestel niet af voor gebruik van andere apparaten. Het vermogen van het draad zou dan namelijk worden overschreden, met oververhitting tot gevolg.
- Vervang de zekering in geen geval door één met een hoger vermogen of hogere waarde dan de originele. Gebruik van een verkeerde zekering kan leiden tot oververhitting en rookontwikkeling en tot beschadiging van het product en letsel, bijvoorbeeld brandwonden.

- U kunt drie soorten subwoofers aansluiten op de versterker; 1: een subwoofer met een nominaal ingangsvermogen van 420 W of meer en een impedantie van 4 Ω , 2: een subwoofer met een nominaal ingangsvermogen van 600 W of meer en een impedantie van 2 Ω of 3: een subwoofer met een nominaal ingangsvermogen van 600 W of meer en een impedantie van 1 Ω . Als het nominale ingangsvermogen en de impedantie buiten de genoemde waarden ligt, kan de subwoofer vlam vatten, rook uitstoten of kapot gaan.
- Plaats en leid het los verkrijgbare accudraad zo ver als mogelijk uit de buurt van de luidsprekerdraden. Plaats en leid het los verkrijgbare accudraad en aarddraad, luidsprekerdraden en de versterker zo ver als mogelijk uit de buurt van de antenne, antennekabel en tuner.

- Snoeren voor dit toestel en overeenkomende snoeren voor andere toestellen hebben mogelijk verschillende kleuren ook al is de functie van de snoeren hetzelfde. Zie voor het verbinden van dit toestel met een ander toestel daarom de handleiding van beide toestellen en verbind de snoeren met dezelfde functie met elkaar.

Aansluitschema

- Dit schema laat de verbindingen zien bij gebruik van een externe uitgang. Schuif de ingangsschakelaar naar links.
- Wanneer u een externe uitgang van een autostereo aansluit op een RCA (tulpstecker) ingang, dient u de aansluiting voor geluidsignalen met het volledige toonbereik te gebruiken. De reden hiervoor is dat het laag-doorlaatfilter (LPF) van de versterker niet uitgeschakeld kan worden. Als deze aansluiting niet gebruikt kan worden, dient u de uitgangsaansluiting voor de subwoofer te verbinden met de RCA ingangsaansluiting.
- Bij gebruik van een luidspreker-uitgang zullen de noodzakelijke verbindingen afwijken van dit schema. Raadpleeg voor details de paragraaf "Gebruik van de luidspreker-ingang". In beide gevallen dient u de ingangsschakelaar op de juiste stand te zetten. Zie voor details hieromtrent de paragraaf "Instellen van dit toestel".
- Gebruik altijd het los verkrijgbare, speciale rode accu- en aarddraad ([RD-223] en [RD-222]). Verbind het accudraad direct met de positieve pool (+) van de autoaccu en het aarddraad met het chassis van de auto. Het risico bestaat dat de zekering doorbrandt wanneer slechts één van deze wordt aangesloten.



Draad voor systeemafstandsbediening (los verkrijgbaar)

Verbind de mannelijke aansluiting van dit draad met de aansluiting voor de systeemafstandsbediening van de autostereo (SYSTEM REMOTE CONTROL). Het vrouwelijke aansluitpunt kan worden aangesloten op het relais-besturingsaansluitpunt van de automatische antenne. Als de autostereo niet beschikt over een systeem-afstandsbedieningsaansluitpunt, sluit dan het mannelijke aansluitpunt aan op het spanningsaansluitpunt via de contactschakelaar.

Download from www.Somanuals.com. All Manuals Search And Download.

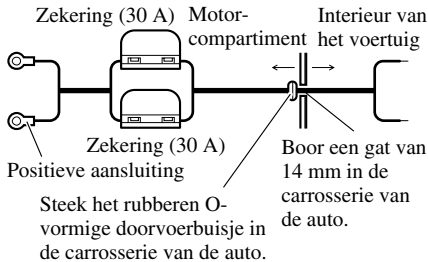
Aansluiten van het spanningsaansluitpunt

- Gebruik altijd het los verkrijgbare, speciale rode accu- en aardedraad ([RD-223] en [RD-222]). Verbind het accudraad direct met de positieve pool (+) van de autoaccu en het aardedraad met het chassis van de auto. Het risico bestaat dat de zekering doorbrandt wanneer slechts één van deze wordt aangesloten.

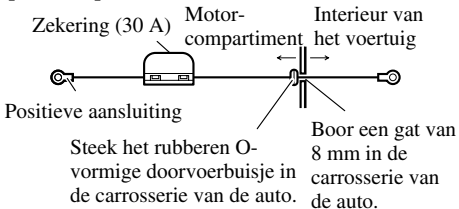
1. Trek het accudraad van het motorgedeelte naar de cabine van de auto.

- Sluit, nadat alle andere aansluitingen op de versterker zijn gemaakt, het accusnoer-aansluitpunt van de versterker aan op het positieve aansluitpunt (+) van de accu.

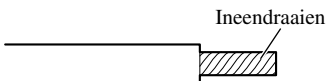
[RD-223]



[RD-222]

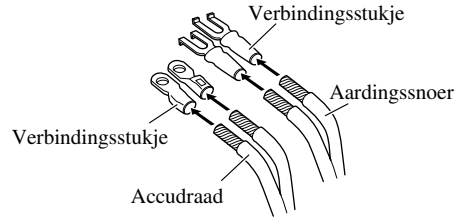


2. Draai het accudraad, aardedraad en systeemafstandsbedieningsdraad ineen.



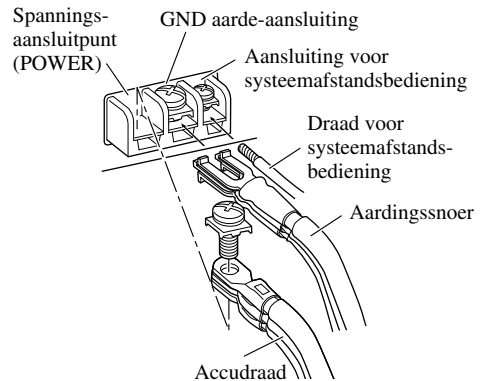
3. Bevestig verbindingstukjes aan de uiteinden van de draden. De verbindingstukjes zijn niet bijgeleverd.

- Klem de verbindingstukjes met een tangetje aan de draden.



4. Sluit de draden aan.

- Zet de draden stevig met de schroeven van de aansluitingen vast.

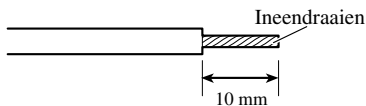


⚠ WAARSCHUWING

Als de accudraad niet goed wordt bevestigd aan het aansluitpunt met behulp van de schroef, kan het aansluitpunt oververhit raken, hetgeen kan leiden tot schade en letsel, met inbegrip van lichte brandwonden.

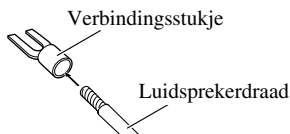
Verbinden van de luidsprekeruitgangsaansluitingen

1. Verwijder ongeveer 10 mm isolatie van het uiteinde van de luidsprekerdraden met een tang, en draai de draadstrengen ineen.



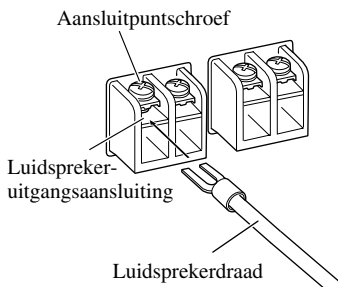
2. Bevestig verbindingstukjes aan de uiteinden van de luidsprekerdraden. De verbindingstukjes zijn niet bijgeleverd.

- Klem de verbindingstukjes met een tangetje aan de draden.



3. Verbind de luidsprekerdraden met de luidsprekeruitgangsaansluiting.

- Zet de luidsprekerdraden goed met de schroeven van de aansluiting vast.

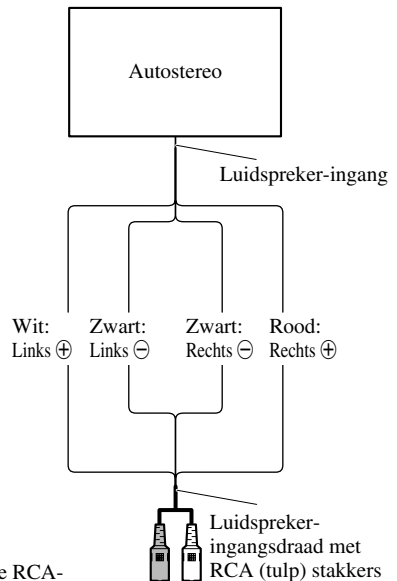


Gebruik van de luidspreker-ingang

Sluit de uitgangsdraden van de autostereo aan op de versterker via de meegeleverde luidspreker-ingangsdraad met RCA (tulp) stekkers.

- Schuif de ingangsschakelaar naar rechts.

■ Verbindingen bij gebruik van de luidspreker-ingang



Naar de RCA-ingangsaansluiting van dit toestel.

- Als resultaat van het aansluiten van de luidspreker van de autostereo op de versterker, zal de stroom voor de versterker automatisch worden ingeschakeld wanneer de autostereo aan wordt gezet. In dit geval is het niet nodig de draad voor de systeemafstandsbediening aan te sluiten.
- Wanneer de versterker en het hoofdtoestel op elkaar zijn aangesloten met een luidsprekerdraad met RCA (tulpstekker) aansluitingen, zal de versterker alleen worden ingeschakeld wanneer er slechts één versterker wordt gebruikt. Als er twee of meer versterkers gecombineerd synchroon zijn geschakeld, dient u het hoofdtoestel en alle versterkers op elkaar aan te sluiten met de systeembedieningsdraad.

Opmerking:

- Sluit de draad voor de systeemafstandsbediening aan wanneer de stroom voor de versterker niet ingeschakeld moet worden wanneer de autostereo wordt aan gezet.

Aansluiten van de luidsprekerdraden

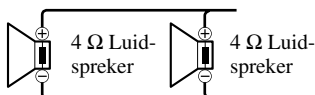
Sluit de luidsprekerdraden aan en zet de MODE SELECT en POWER MODE schakelaars op de voor uw systeem correcte standen, zoals hieronder en op de volgende bladzijde aangegeven.

- Wanneer er twee of meer versterkers gecombineerd synchroon zijn aangesloten, dient u uitsluitend deze versterkers te gebruiken. Gebruik deze versterkers niet door elkaar met andere versterkers.
- Wanneer er twee of meer versterkers gecombineerd synchroon zijn aangesloten, dient u de extra versterking (Gain), subsonische keuzeschakelaar, afsnijfrequentie voor het laag-doorlaatfilter en de extra lage tonenversterking (Bass Boost) te regelen via de versterker waarvan de MODE SELECT schakelaar op MASTER is gezet. Deze instellingen functioneren niet voor versterkers die op SYNC of SYNC INV staan.



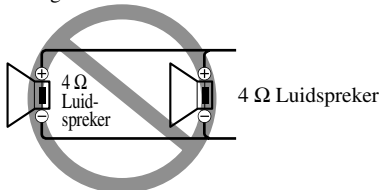
WAARSCHUWING

Diagram A - Correct



2 Ω brugschakeling

Diagram B - Incorrect



1 Ω brugschakeling

U mag deze versterker NIET installeren of gebruiken door luidsprekers van 2 Ω (of lager) parallel te bedraden om een overbrugde modus (brugschakeling; diagram B) van 1 Ω (of lager) te verkrijgen.

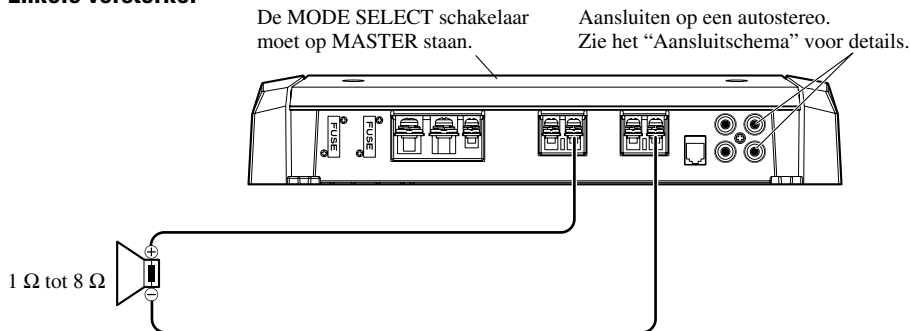
Een onjuiste overbrugging kan leiden tot schade aan de versterker, rook en oververhitting. Het oppervlak van de versterker kan ook te heet worden om aan te raken en dit kan resulteren in lichte brandwonden.

Om een overbrugde modus (brugschakeling) op de juiste manier te installeren of te gebruiken en een belasting van 2 Ω te verkrijgen, dient u twee luidsprekers van 4 Ω parallel te bedraden met Links + en Rechts - (diagram A) of een enkelvoudige luidspreker van 2 Ω te gebruiken.

Als de synthetische impedantie tussen 2 Ω en 4 Ω ligt, moet u de POWER MODE schakelaar op de HI-CURRENT stand zetten.

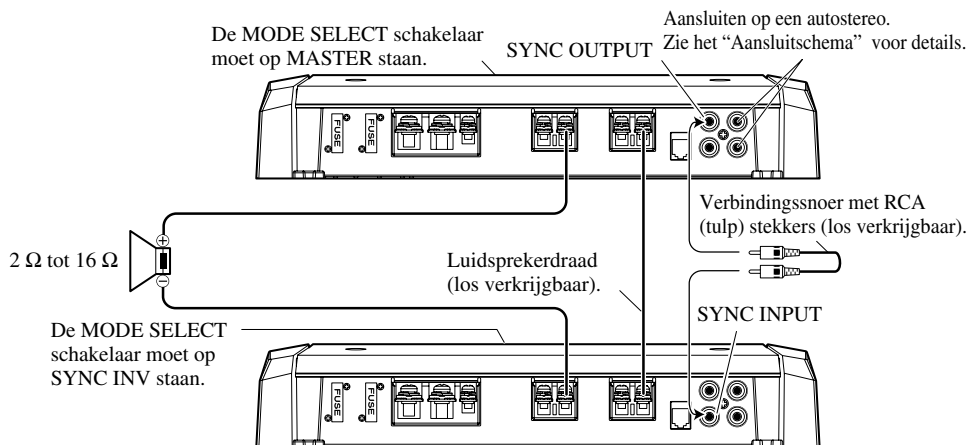
Raadpleeg bovendien de handleiding van de luidspreker in kwestie voor meer informatie over de juiste manier van aansluiten.

Enkele versterker



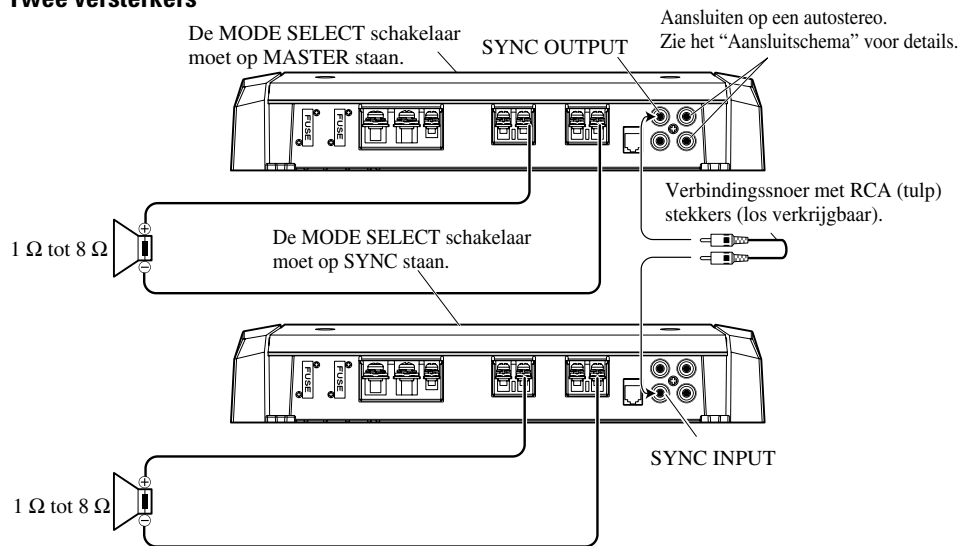
- Gebruik luidsprekers met een impedantie van 1 Ω tot 8 Ω.
- De instelling van de POWER MODE schakelaar hangt af van de luidsprekerimpedantie. Zie "Instellen van het toestel" voor details.

Twee versterkers (Ex. brugschakeling)



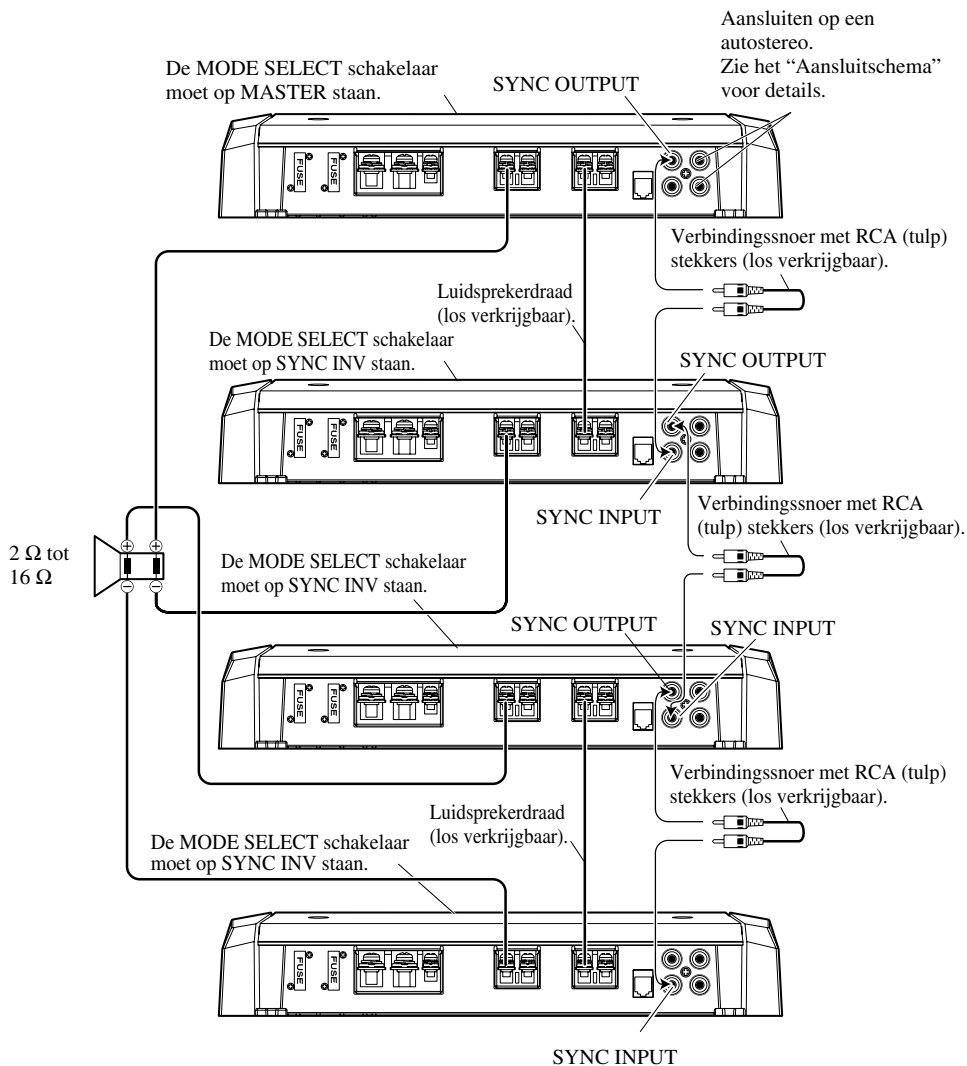
- Gebruik alleen luidsprekers met een impedantie van 2 Ω tot 16 Ω . Controleer bovendien of de synthetische tenminste 2 Ω bedraagt wanneer er meerdere versterkers in brugschakeling worden gebruikt.
- De instelling van de POWER MODE schakelaar hangt af van de luidsprekerimpedantie. Zet de POWER MODE schakelaar op de HI-CURRENT stand bij een impedantie tussen 2 Ω en (minder dan) 4 Ω , of zet deze schakelaar op NORMAL bij een impedantie tussen 4 Ω en 16 Ω . Voor beide versterkers wordt dezelfde instelling gebruikt.
- Wanneer u over wilt schakelen naar de SYNC INV stand zult u het stickertje van de MODE SELECT schakelaar af moeten halen zodat u de SYNC INV schakelaar kunt zien. Haal het stickertje pas weg nadat u zich ervan heeft overtuigd dat de verbindingen correct gemaakt zijn.

Twee versterkers



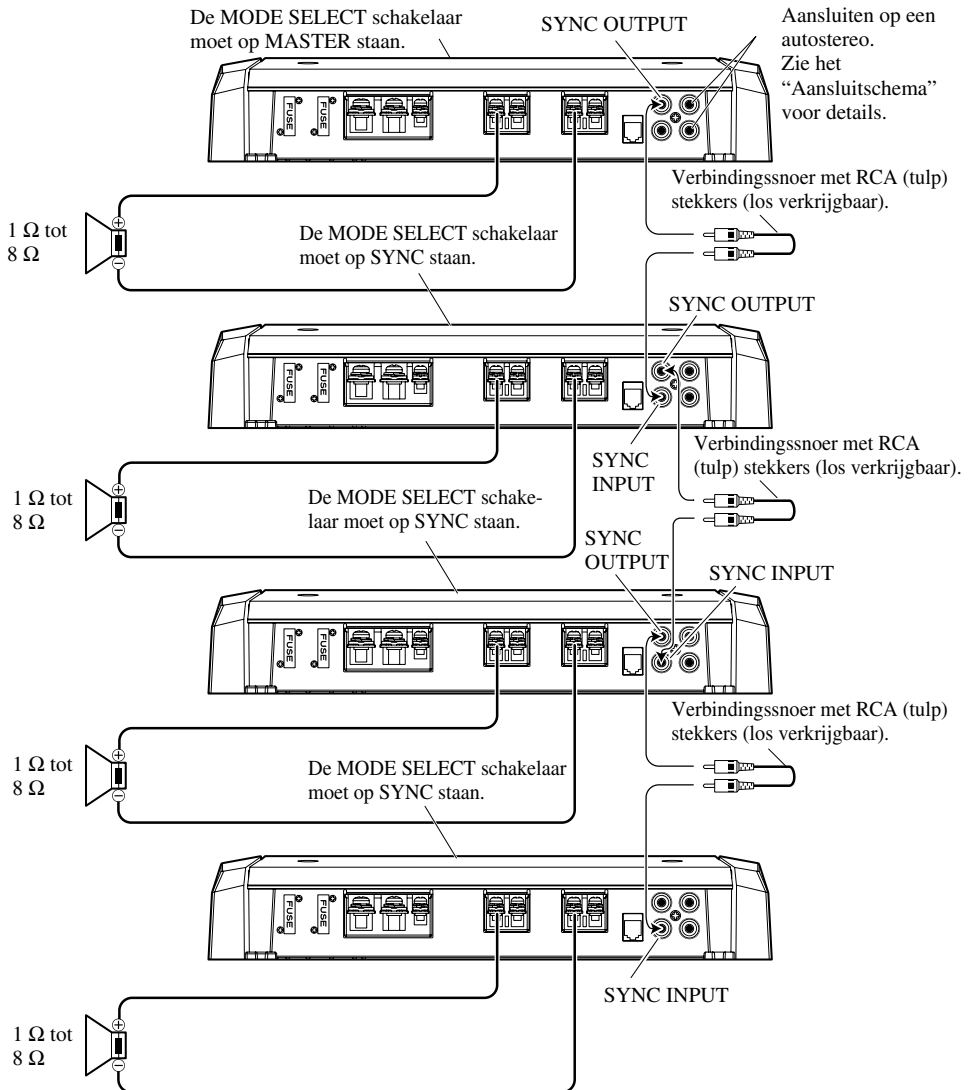
- Gebruik luidsprekers met een impedantie van 1 Ω tot 8 Ω .
- De instelling van de POWER MODE schakelaar hangt af van de luidsprekerimpedantie. Zie "Instellen van het toestel" voor details. Voor beide versterkers wordt dezelfde instelling gebruikt.

Vier versterkers (Ex. brugschakeling)



- Gebruik alleen luidsprekers met een impedantie van 2 Ω tot 16 Ω. Controleer bovendien of de synthetische tenminste 2 Ω bedraagt wanneer er meerdere versterkers in brugschakeling worden gebruikt.
- De instelling van de POWER MODE schakelaar hangt af van de luidsprekerimpedantie. Zet de POWER MODE schakelaar op de HI-CURRENT stand bij een impedantie tussen 2 Ω en (minder dan) 4 Ω, of zet deze schakelaar op NORMAL bij een impedantie tussen 4 Ω en 16 Ω. Voor vier versterkers wordt dezelfde instelling gebruikt.
- Wanneer u over wilt schakelen naar de SYNC INV stand zult u het stickertje van de MODE SELECT schakelaar af moeten halen zodat u de SYNC INV schakelaar kunt zien. Haal het stickertje pas weg nadat u zich ervan heeft overtuigd dat de verbindingen correct gemaakt zijn.

Vier versterkers



- Gebruik luidsprekers met een impedantie van 1 Ω tot 8 Ω.
- De instelling van de POWER MODE schakelaar hangt af van de luidsprekerimpedantie. Zie "Instellen van het toestel" voor details. Voor vier versterkers wordt dezelfde instelling gebruikt.



WAARSCHUWING

- Niet installeren op:
 - Plaatsen waar het de bestuurder of passagiers zou kunnen verwonden wanneer de auto plotseling stopt.
 - Plaatsen waar de bestuurder door de eenheid tijdens het rijden zou kunnen worden gehinderd, zoals bijvoorbeeld op de vloer voor de bestuurdersstoel.
- Controleer dat draden niet in de weg van de stoelverstelmechanismen zitten. Dit zou namelijk kortsluiting kunnen veroorzaken.
- Controleer of er zich geen onderdelen achter het paneel bevinden wanneer u een gat boort voor de installatie van de versterker. Zorg ervoor dat alle kabels en belangrijke onderdelen zoals brandstofleidingen, remleidingen en de elektrische bedrading beveiligd zijn en niet kunnen worden beschadigd.
- Plaats tapse schroeven zodanig dat de kop van de schroef niet in aanraking met draden komt. Dit is belangrijk en voorkomt dat draden door trillingen van het voertuig door worden gesneden met brand tot gevolg.
- Laat de versterker **IN GEEN GEVAL** in contact komen met vloeistoffen, bijvoorbeeld als gevolg van de opstelling van de versterker. Dit kan leiden tot elektrische schokken. De versterker en luidsprekers kunnen ook beschadigd raken, rook produceren en oververhit raken door contact met vloeistoffen. Daarbij kan het oppervlak van de versterker en het oppervlak van aangesloten luidsprekers heet worden, hetgeen kan leiden tot lichte brandwonden.
- Gebruik de bijgeleverde onderdelen op de manier die is beschreven om de installatie uit te voeren zoals het hoort. Als andere onderdelen dan diegene die zijn bijgeleverd worden gebruikt, is het mogelijk dat inwendige onderdelen van de versterker schade oplopen of loskomen, zodat de versterker niet meer werkt.
- Vervang de zekering in geen geval door één met een hoger vermogen of hogere waarde dan de originele. Gebruik van een verkeerde zekering kan leiden tot oververhitting en rookontwikkeling en tot beschadiging van het product en letsel, bijvoorbeeld brandwonden.



WAARSCHUWING:

Om slechte werking en/of letsel te voorkomen

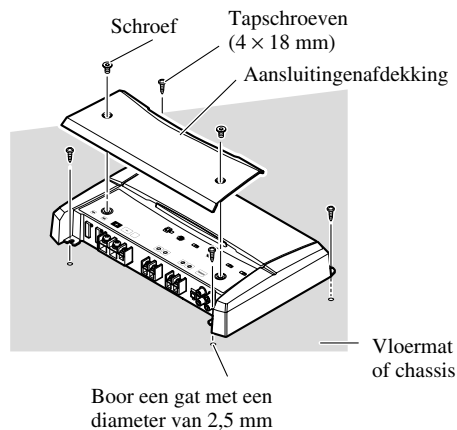
- Zorg dat de ventilatie van de versterker niet wordt gehinderd, en let derhalve op de volgende punten tijdens het installeren.
 - Zorg dat er voor een goede vrije ruimte boven de versterker is.
 - Bedek de versterker niet met een vloermat of kleed.
- Laat de versterker **IN GEEN GEVAL** in contact komen met vloeistoffen, bijvoorbeeld als gevolg van de opstelling van de versterker. Dit kan leiden tot elektrische schokken. De versterker en luidsprekers kunnen ook beschadigd raken, rook produceren en oververhit raken door contact met vloeistoffen. Daarbij kan het oppervlak van de versterker en het oppervlak van aangesloten luidsprekers heet worden, hetgeen kan leiden tot lichte brandwonden.
- Installeer de versterker niet op onstabiele plaatsen, zoals op de reservebandhouder.
- De beste installatieplaats is verschillend afhankelijk van het automerk en model en uw wensen. Plaats de versterker echter beslist stevig op een stabiele plaats.
- Maak eerst voorlopige aansluitingen en ga na of de versterker en het systeem naar behoren werken.
- Na het installeren van de versterker, moet u controleren dat het reservewiel, de krik en het gereedschap nog gemakkelijk kunnen worden verwijderd.

Voorbeeld van installatie op de vloermat of op het chassis

1. Zet de versterker op de plaats waar hij moet worden geïnstalleerd. Steek de bijgeleverde tapschroeven (4×18 mm) in de schroefgaten. Druk met een schroevendraaier op de schroeven zodat ze een inkeping maken op de plaats waar de gaten voor de installatie moeten komen.
2. Boor gaten met een diameter van 2,5 mm op de plaatsen die zijn gemerkt en installeer de versterker, ofwel op de vloermat ofwel rechtstreeks op het chassis.

Terugzetten van de aansluitingenafdekking

1. Pas de aansluitingenafdekking netjes op het toestel en doe de schroeven terug.
2. Draai de schroeven vast met een inbussleutel van 4 mm.



Technische gegevens

| | |
|---|--|
| Spanningsbron | 14,4 V gelijkstroom (10,8 V t/m 15,1 V toelaatbaar) |
| Aarding | Negatieve klem aan massa |
| Stroomverbruik | 39 A (met continu spanning, 4 Ω) |
| Gemiddeld stroomverbruik* | 12 A (4 Ω voor een kanaal) 20 A (2 Ω voor een kanaal) 28 A (1 Ω voor een kanaal) |
| Zekering (extern) | 40 A \times 2 |
| Afmetingen | 304 (B) \times 56 (H) \times 195 (D) mm |
| Gewicht | 2,9 kg (Excl. bedrading) |
| Maximale spanningsuitvoer | 800 W \times 1 (4 Ω) / 1 200 W \times 1 (1 Ω t/m 2 Ω) |
| Continu vermogen (14,4 V) | NORMAL stand: 4 Ω , 20 Hz t/m 240 Hz, \leq 1,0% THV, 400 W \times 1 2 Ω , 100 Hz, \leq 1,0% THV, 600 W \times 1 HI-CURRENT stand: 4 Ω , 20 Hz t/m 240 Hz, \leq 1,0% THV, 150 W \times 1 2 Ω , 100 Hz, \leq 1,0% THV, 300 W \times 1 1 Ω , 100 Hz, \leq 1,0% THV, 600 W \times 1 |
| Belastingimpedantie | 4 Ω (1 Ω t/m 8 Ω toelaatbaar) |
| Frequentieweergave | 10 Hz t/m 240 Hz (+0 dB, -3 dB) |
| S/R verhouding | 92 dB (IEC-A netwerk) |
| Vervorming | 0,5% (10 W, 100 Hz) |
| Laag-doorlaatfilter | Afsnijfrequentie: 40 Hz t/m 240 Hz Afsnijf-helling: -18 dB/oct |
| Subsonisch filter (HPF) | Frequentie: 20 Hz Helling: -18 dB |
| Extra versterking lage tonen | Frequentie: 50 Hz Niveau: 0 / 6 / 9 / 12 dB |
| Versterkingsregeling | RCA: 400 mV t/m 6,5 V SP: 1,6 V t/m 26 V |
| Maximale ingangsniveau /-impedantie | RCA: 6,5 V / 22 k Ω SP: 26 V / 90 k Ω |

Opmerking:

- Technische gegevens en ontwerp zijn ter productverbetering zonder voorafgaande kennisgeving wijzigbaar.

*Gemiddeld stroomverbruik

- Het gemiddelde stroomverbruik is zo goed als gelijk aan het maximale stroomverbruik van dit toestel bij ontvangst van een audiosignaal. Gebruik deze waarde bij het uitrekenen van het totale stroomverbruik van meerdere vermogensversterkers.

Инструкции перед началом эксплуатации данного устройства 1

| | |
|--|---|
| Посетите наш сайт | 2 |
| Действия в случае возникновения проблем | 2 |
| Информация о данном устройстве | 2 |
| ОСТОРОЖНО! | 2 |
| ПРЕДУПРЕЖДЕНИЕ | 2 |

Настройка устройства 3

| | |
|--|---|
| Крышка | 3 |
| Индикатор питания | 3 |
| Дозвуковой переключатель выбора | 3 |
| Регулирование подъема низких частот | 3 |
| Переключатель BFC (переключатель частоты биения) | 3 |
| Переключатель ВЫБОР РЕЖИМА | 4 |
| Регулирование усиления | 4 |
| Контроль предельной частоты для LPF (фильтра нижних частот) | 4 |
| Переключатель входа | 4 |
| Переключатель POWER MODE | 4 |

Подключение устройства 5

| | |
|--|---|
| Схема соединений | 6 |
| Соединение клеммы источника питания | 7 |
| Соединение выходных зажимов динамика .. | 8 |
| Использование входного разъема динамика | 8 |
| Соединение проводов динамиков | 9 |

Установка 13

| | |
|---|----|
| Пример установки усилителя на коврике или на раме автомобиля | 14 |
| Возвращение крышки на место | 14 |

Спецификации 15

Благодарим вас за покупку данного устройства фирмы PIONEER. Прежде чем начать эксплуатацию данного устройства, обязательно ознакомьтесь с настоящим руководством.



Если вы желаете утилизировать данное изделие, не выбрасывайте его вместе с обычным бытовым мусором. Существует отдельная система сбора использованных электронных изделий в соответствии с законодательством, которая предполагает соответствующее обращение, возврат и переработку.

Частные клиенты-в 25 странах-членах ЕС, в Швейцарии и Норвегии могут бесплатно возвращать использованные электронные изделия в соответствующие пункты сбора или дилеру (при покупке сходного нового изделия).

В странах, не перечисленных выше, для получения информации о правильных способах утилизации обращайтесь в соответствующие учреждения. Поступая таким образом, вы можете быть уверены в том, что утилизируемый продукт будет соответствующим образом обработан, передан в соответствующий пункт и переработан без возможных негативных последствий для окружающей среды и здоровья людей.



ME20

Посетите наш сайт

Посетите наш сайт:


www.pioneer-rus.ru

- Зарегистрируйте приобретенное изделие. Мы сохраним сведения о Вашей покупке, что поможет Вам сослаться на эту информацию в случае страхового требования по причине потери или кражи.
- Самую свежую информацию о Pioneer Corporation можно получить на нашем веб-сайте.

Действия в случае возникновения проблем

Если устройство не работает должным образом, свяжитесь с вашим дилером или ближайшей утвержденной станцией обслуживания продукции PIONEER.

Информация о данном устройстве

Данное устройство представляет собой усилитель для низкочастотного динамика. Если подключить к RCA входу данного продукта и левый (L), и правый (R) канал, то выходной сигнал будет смешиваться, поскольку данный усилитель – монофонический.

ОСТОРОЖНО!

Никогда не заменяйте перегоревший предохранитель предохранителем с большим номиналом. Использование неподходящего предохранителя может привести к перегреву и выделению дыма. Это также может привести к повреждению устройства и травмам, в том числе ожогам.

ПРЕДУПРЕЖДЕНИЕ

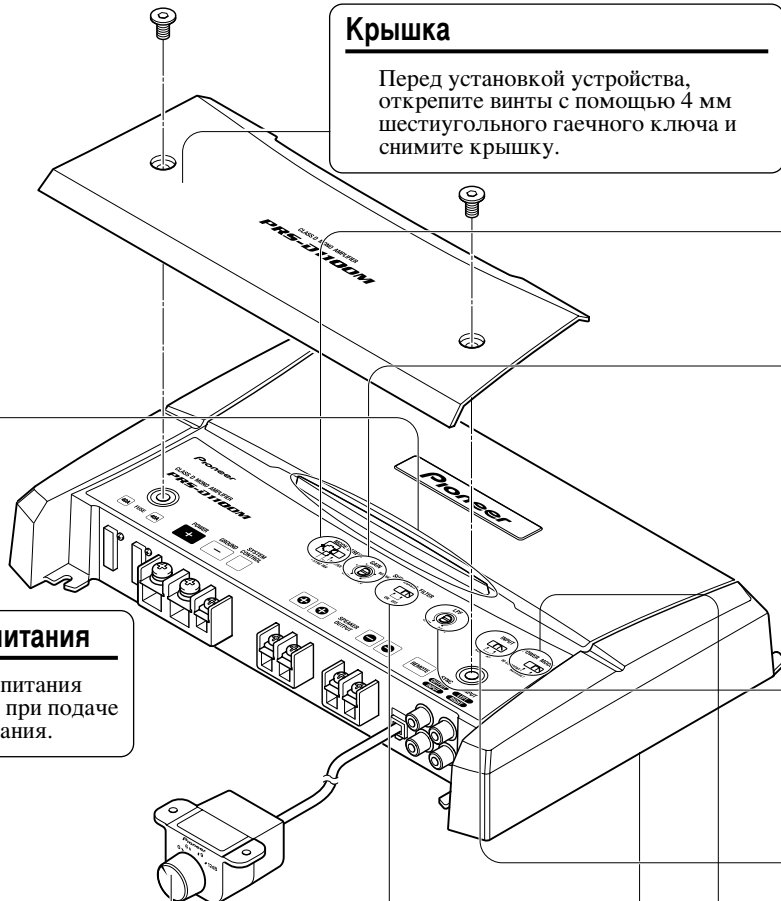
- Всегда используйте специальные красные провода ([RD-223] и [RD-222]) для батареи и заземления, которые продаются отдельно. Подключите провод батареи непосредственно к положительной (+) клемме батареи автомобиля, а провод заземления – к корпусу автомобиля. Существует риск перегорания предохранителя, если подсоединен только один из них.
- Не прикасайтесь к усилителю влажными руками, так как это может привести к поражению электрическим током. Также не следует дотрагиваться до усилителя, если на него попала какая-либо жидкость.
- Для обеспечения безопасности движения и безопасных условий вождения установите такой уровень громкости, при котором вам будет слышен обычный шум дорожного движения.
- Если перегорит предохранитель отдельно продаваемого провода батареи или предохранитель усилителя, проверьте соединения источника питания и динамиков. Определите и устраните причину, затем замените предохранитель новым предохранителем такого же размера и номинала.
- Для того, чтобы предотвратить выход из строя усилителя и динамиков, при возникновении нестандартных условий защитная цепь прекратит подачу питания на усилитель (при этом прекратится воспроизведение звука). В этом случае следует отключить электропитание системы и проверить соединение источника питания и динамиков. Определите и устраните причину неисправности.
- Свяжитесь с дилером, если вы не можете определить причину неисправности.
- Во избежание поражения электрическим током или короткого замыкания во время подключения и установки перед выполнением работ следует обязательно отсоединить отрицательную (-) клемму батареи.
- При просверливании отверстий для установки усилителя убедитесь в том, что за панелью не расположены какие-либо детали. Обязательно защитите от возможных повреждений все кабели и важное оборудование, например трубки топливной и тормозной систем и электропроводку.
- НЕ УСТАНАВЛИВАЙТЕ усилитель в таких местах, где на него могут попадать какие-либо жидкости, так как это может привести к поражению электрическим током. Кроме того, контакт с жидкостью может привести к повреждению усилителя и динамиков, выделению дыма и перегреву. При этом поверхность усилителя и подключенных к нему динамиков может нагреться и прикосновение к ней может привести к незначительным ожогам.

Настройка устройства

- Чтобы отрегулировать переключатель, используйте стандартную отвертку, если необходимо.

Крышка

Перед установкой устройства, открепите винты с помощью 4 мм шестиугольного гаечного ключа и снимите крышку.



Индикатор питания

Индикатор питания загорается при подаче электропитания.

Дозвуковой переключатель выбора

Дозвуковой фильтр пропускает неслышимые частоты ниже 20 Гц, чтобы устранить нежелательные колебания и уменьшить потери мощности.

Регулирование подъема низких частот

Предусматривается возможность выбора уровня подъема низких частот - 0, 6, 9 или 12 дБ. Инструкции по подключению устройства для дистанционного управления подъемом низких частот к усилителю приведены в разделе "Схема соединений".

Переключатель BFC (переключатель частоты биения)

Переключатель BFC находится в нижней части устройства. Если при прослушивании на вашей автомобильной магнитоле сигнала радиостанции диапазона средних / длинных волн слышится биение, измените положение переключателя BFC при помощи стандартной отвертки.

Переключатель ВЫБОР РЕЖИМА

Вы можете выбрать синхронный режим усилителя из MASTER, SYNC или SYNC INV. Установите переключатель MODE SELECT в позицию, когда используется только один усилитель. Когда используется одновременное соединение двух или более усилителей в комбинированное устройство, установите первый усилитель на MASTER, а оставшиеся усилители на SYNC или SYNC INV в соответствии с методом по которому они соединены. Усилитель переключается на режим SYNC INV только во время, когда усилители одновременно соединены с мостовым соединением. Когда переключаетесь на режим SYNC INV, верхняя изоляция переключателя MODE SELECT должна быть снята, и Вы сможете найти переключатель SYNC INV. Снимите изоляцию после того, как проверите, что соединения правильные. Для подробностей о переключателе MODE SELECT смотрите раздел “Соединения проводников динамика”.

Регулирование усиления

Если даже при прибавлении громкости автомобильной магнитолы, использующейся с данным усилителем мощности, уровень звука остается низким, поверните по часовой стрелке регулятор усиления. Если при прибавлении громкости происходит искажение звука, поверните регулятор усиления против часовой стрелки.

- При использовании магнитолы с разъемами RCA (стандартный выходной сигнал 500 мВ), установите эти регуляторы в положение NORMAL. При использовании автомобильной магнитолы Pioneer с разъемами RCA с максимальным выходным сигналом 4 В или выше, отрегулируйте уровень в соответствии с уровнем выходного сигнала автомобильной магнитолы.
- Если при использовании входных зажимов динамиков слышится слишком сильный шум, поверните регулятор усиления против часовой стрелки.

Контроль предельной частоты для LPF (фильтра нижних частот)

Вы можете выбрать контроль предельной частоты от 40 Гц до 240 Гц.

Переключатель входа

Возможен ввод от внешнего выходного разъема автомобильной магнитолы или от выходного разъема динамика автомобильной магнитолы. Переключите входной переключатель до включения питания. После переключения входного переключателя, пока мощность может быть источником громкого шума издаваемого динамиками, мощность отключается защитной функцией. Когда используется внешний выходной разъем сдвиньте переключатель влево. Для соединений по инструкции, смотрите раздел “Схема соединений”. Когда используется выходной разъем динамика, сдвиньте переключатель вправо. В этом случае, необходимо использовать поставляемый провод входного разъема динамика со штекером шнура RCA. Подробно смотрите раздел “Использование входного разъема динамика”.

Переключатель POWER MODE

Когда используются динамики с комплексным полным сопротивлением от 2 Ω до 8 Ω , передвиньте переключатель направо (NORMAL). Когда используются динамики с комплексным полным сопротивлением от 1 Ω до меньше чем 2 Ω , передвиньте переключатель налево (HI-CURRENT). Эти установки используются только, когда используется одиночный усилитель. Смотрите раздел “Соединения проводников динамика” когда используете соединение из множества динамиков.

Если полное сопротивление динамика превышает 2 Ω (4 Ω когда используется мостовое соединение), несмотря на то что переключатель POWER MODE может быть установлен в позицию HI-CURRENT, установка в позицию NORMAL делает возможным получение звука высокой мощности.

ОСТОРОЖНО!

- Отсоедините отрицательную (-) клемму батареи, чтобы не допустить короткого замыкания и повреждения устройства.
- Закрепите провода кабельными зажимами или липкой лентой. Для защиты проводов следует обмотать их липкой лентой в тех местах, где они соприкасаются с металлическими частями.
- Не располагайте провода в местах, подверженных воздействию высокой температуры, например в таком месте, где на них может действовать нагретый воздух из обогревателя. Нагревание может привести к повреждению изоляции, в результате чего может произойти короткое замыкание на корпус автомобиля.
- Убедитесь в том, что провода не мешают движущимся частям автомобиля, например, рычагу переключения коробки передач, ручному тормозу или механизму передвижения сидений.
- Не укорачивайте какие-либо провода. При укорачивании провода цепь защиты может не сработать в нужный момент.
- Никогда не заменяйте электропитание на другое оборудование посредством снятия изоляции провода, по которому подается электропитание, и подключения к этому проводу. Пропускная способность провода по току будет превышена, что приведет к перегреву.
- Никогда не заменяйте перегоревший предохранитель предохранителем с большим номиналом. Использование неподходящего предохранителя может привести к перегреву и выделению дыма. Это также может привести к повреждению устройства и травмам, в том числе ожогам.

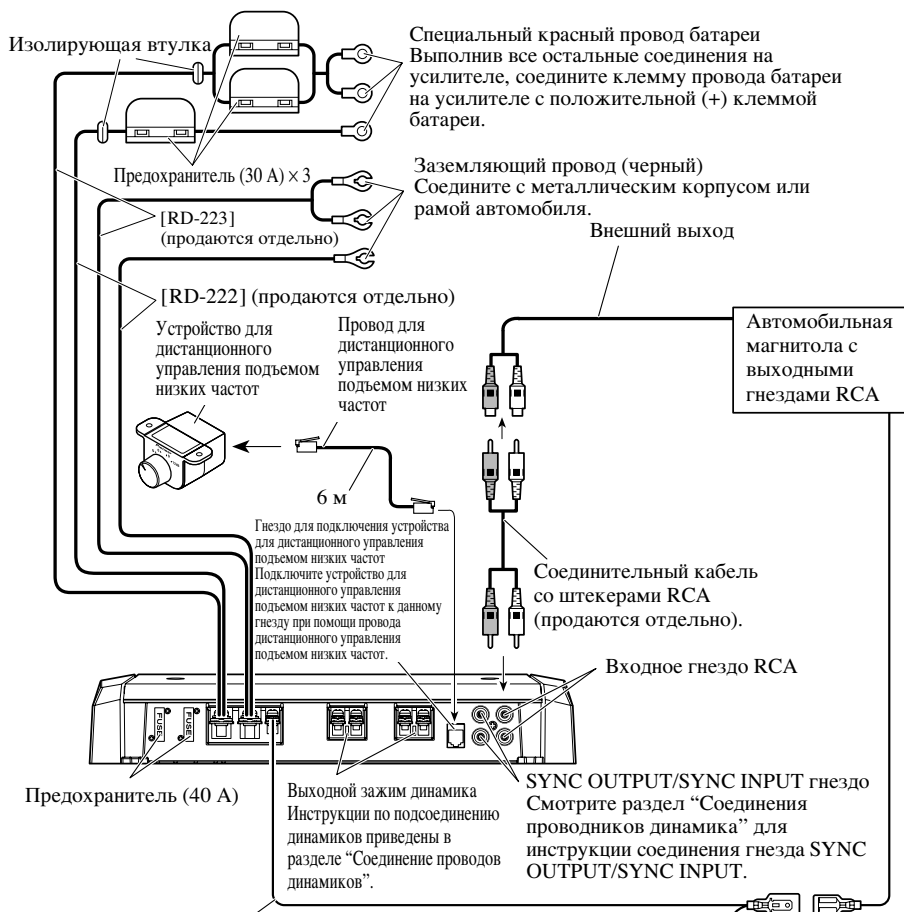
ОСТОРОЖНО!

Инструкции по предупреждению повреждений и/или травм

- Никогда не заземляйте провод динамика непосредственно и не подключайте отрицательный (-) провод к нескольким динамикам.
- Данное устройство предназначено для автомобилей с батареей 12 вольт и отрицательным заземлением. Перед установкой устройства в транспортном средстве для отдыха, грузовом автомобиле или автобусе необходимо проверить напряжение батареи.
- Батарея может разрядится, если автомобильная магнитола продолжает работать в течение долгого времени при отключенном или работающем в холостом режиме двигателе. Не включайте автомобильную магнитолу, если двигатель отключен или работает в холостом режиме.
- Если провод усилителя для дистанционного управления системой соединен с клеммой источника питания через замок зажигания (12 В постоянного тока), усилитель всегда будет включаться при включении зажигания, независимо от того, включена автомобильная магнитола или нет. Поэтому батарея может разрядиться, если двигатель отключен или работает в холостом режиме.
- НЕ ПОДСОЕДИНЯЙТЕ низкочастотный динамик с полным сопротивлением ниже, чем указано в разделе "Соединение прибора". Повреждение усилителя, дым и перегрев могут быть причиной неправильного соединения. Поверхность усилителя также может нагреться на ощупь и в результате может произойти незначительный ожог.
- Подсоедините какой-либо из трех низкочастотных динамиков к усилителю; 1: низкочастотный динамик с номиналом на входе 420 Вт или больше и с полным сопротивлением 4 Ω ; 2: низкочастотный динамик с номиналом на входе 600 Вт или больше и с полным сопротивлением 2 Ω или 3: низкочастотный динамик с номиналом на входе 600 Вт или больше и с полным сопротивлением 1 Ω . Если номинал на входе и полное сопротивление выходят за пределы указанного диапазона, то низкочастотный динамик может загореться, выделять дым и сломаться.
- Отдельно продаваемый провод батареи следует разместить как можно дальше от проводов динамиков. Отдельно продаваемый провод батареи, провод заземления, провода динамиков и усилитель следует разместить как можно дальше от антенны, кабеля антенны и тюнера.
- Кабели данного устройства и других устройств могут быть разного цвета, несмотря на то что, они выполняют одинаковые функции. При соединении данного устройства с другим устройством, ознакомьтесь с инструкциями каждого устройства и соедините кабели, выполняющие одинаковые функции.

Схема соединений

- Эта схема показывает соединения, используемые внешним выходным разъемом. Сдвиньте переключатель входа влево.
- В случае подсоединения внешнего выхода автомагнитолы к входу RCA, используют гнездо, используемое для выхода полного диапазона. Это делается, потому что фильтр нижних частот не может быть выключен. Если это гнездо не может быть использовано, подсоедините выходное гнездо низкочастотного динамика к входу RCA.
- Когда Вы соединяетесь с выходным разъемом динамика, соединения выполняются по схеме. Подробно смотрите раздел “Использование входного разъема динамика”. В любом случае Вам необходимо выбрать переключатель входа. Подробно смотрите раздел “Настройка устройства”.
- Всегда используйте специальные красные провода для батареи и заземления ([RD-223] и [RD-222]), которые продаются отдельно. Подключите провод батареи непосредственно к положительной (+) клемме батареи автомобиля, а провод заземления – к корпусу автомобиля. Существует риск перегорания предохранителя, если подсоединен только один из них.



Провод дистанционного управления системой (продается отдельно)
Соедините вставную клемму данного провода с клеммой дистанционного управления на автомобильной магнитоле (SYSTEM REMOTE CONTROL). Клеммы-гнезда могут быть соединены с клеммой управления реле автомобильной антенны. Если на автомобильной магнитоле не предусмотрена клемма дистанционного управления системой, соедините вставную клемму с клеммой источника питания через замок зажигания.

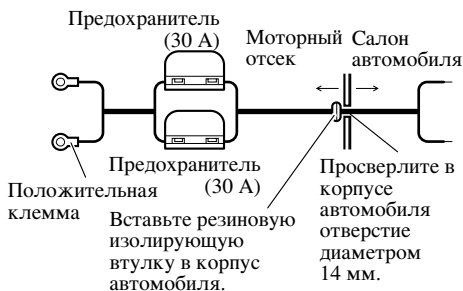
Соединение клеммы источника питания

- Всегда используйте специальные красные провода для батареи и заземления ([RD-223] и [RD-222]), которые продаются отдельно. Подключите провод батареи непосредственно к положительной (+) клемме батареи автомобиля, а провод заземления – к корпусу автомобиля. Существует риск перегорания предохранителя, если подсоединен только один из них.

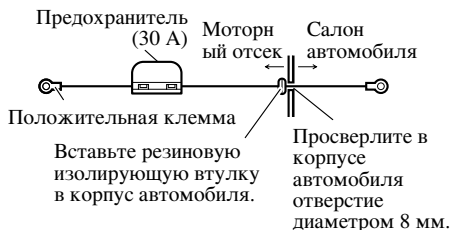
1. Проведите провод батареи из моторного отсека в салон автомобиля.

- Выполнив все остальные соединения на усилителе, соедините клемму провода батареи на усилителе с положительной (+) клеммой батареи.

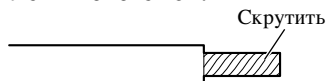
[RD-223]



[RD-222]

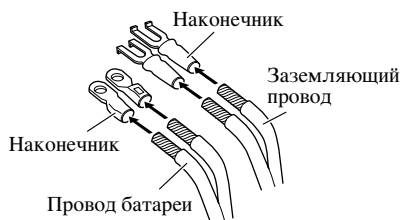


2. Скрутите концы на проводе батареи, проводе заземления и проводе дистанционного управления системой.



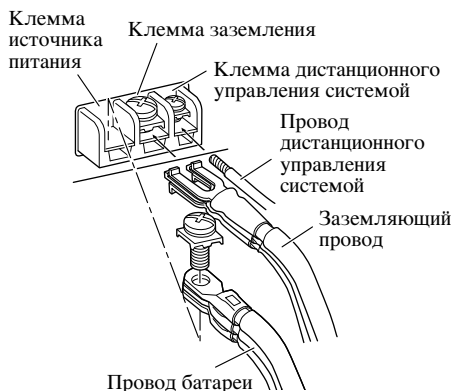
3. Присоедините наконечники проводов. Наконечники проводов не входят в комплект поставки.

- Воспользуйтесь плоскогубцами или другим аналогичным инструментом, чтобы закрепить наконечники на проводах.



4. Подсоедините провода к клеммам.

- Надежно закрепите провода в винтовых зажимах.

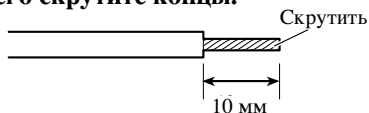


! ПРЕДУПРЕЖДЕНИЕ

Неплотное закрепление провода батареи в винтовом зажиме клеммы может вызвать перегрев той части устройства, в которой установлены клеммы, что может привести повреждению устройства и травмам, в том числе незначительным ожогам.

Соединение выходных зажимов динамика

1. Воспользуйтесь кусачками или другим режущим инструментом, чтобы зачистить концы проводов на приблизительно 10 мм, после чего скрутите концы.



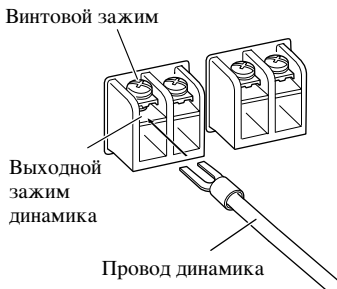
2. Присоедините наконечники к проводам динамиков. Наконечники проводов не входят в комплект поставки.

- Воспользуйтесь плоскогубцами или другим аналогичным инструментом, чтобы закрепить наконечники на проводах.



3. Подсоедините провода динамиков к выходным зажимам динамиков.

- Надежно закрепите провода динамиков в винтовых зажимах.

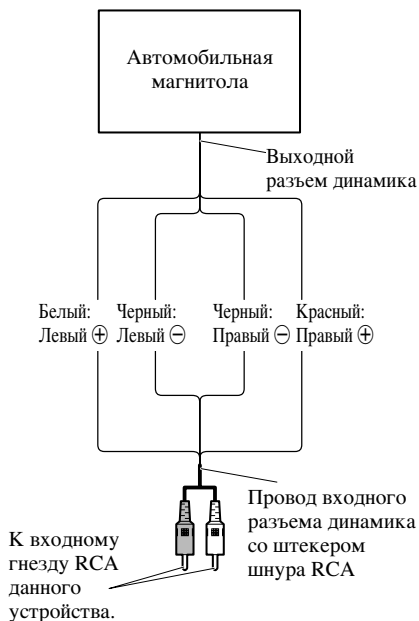


Использование входного разъема динамика

Присоедините выходные провода динамиков автомобильной магнитолы к усилителю, используя провод входного разъема динамика со штекером шнура RCA.

- Сдвиньте переключатель входа вправо.

- **Схема соединений при использовании входного разъема динамика**



- В результате присоединения выходных проводов динамиков автомобильной магнитолы к усилителю, на усилитель автоматически подается электроэнергия, когда автомобильная магнитола включена. В данном случае нет необходимости присоединять провод системы дистанционного управления.
- В случае, когда усилитель и главное устройство соединены с использованием входного провода динамика с штырем шнура RCA, мощность усилителя включается только когда усилитель начинает использоваться. Если два или более усилителей одновременно соединены в комбинированное устройство, соедините главное устройство и все усилители с проводом системы пульта дистанционного управления.

Примечание:

- Присоедините провод системы дистанционного управления, когда на усилитель не подается электроэнергия, тогда как автомобильная магнитола включена.

Соединение проводов динамиков

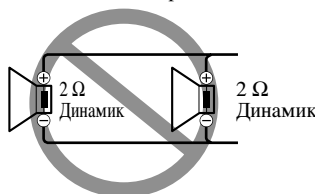
Соедините подводящие провода динамика и установите переключатели MODE SELECT и POWER MODE в подходящей конфигурации в соответствии с рисунками, показанными ниже и на следующей странице.

- Когда одновременно соединяются два или более усилителя в комбинированное устройство, используйте только эти усилители. Не смешивайте эти усилители с другими усилителями.
- Когда одновременно соединяются два или более усилителей в комбинированное устройство, установите регулятор усиления, дозвучивой выбор переключателя, предельную частоту для фильтра нижних частот и контроль подъема частотной характеристики в области нижних частот на усилителе так, чтобы переключатель MODE SELECT был установлен на MASTER. Эти установки бездействуют, когда установка на усилителе установлена на SYNC или SYNC INV.

ОСТОРОЖНО!

Схема А – Правильное подключение

Схема В – Неправильное подключение



Мостовое соединение 2 Ω

Мостовое соединение 1 Ω

Не собирайте или не используйте данный усилитель электропроводкой динамиков с номиналом 2 Ω (или ниже) в параллель для получения мостового соединения 1 Ω (или ниже) (Схема В).

Неправильное мостовое соединение может привести к повреждению усилителя, выделению дыма и перегреву. Кроме того, поверхность усилителя может нагреться, и прикосновение к ней может привести к незначительным ожогам.

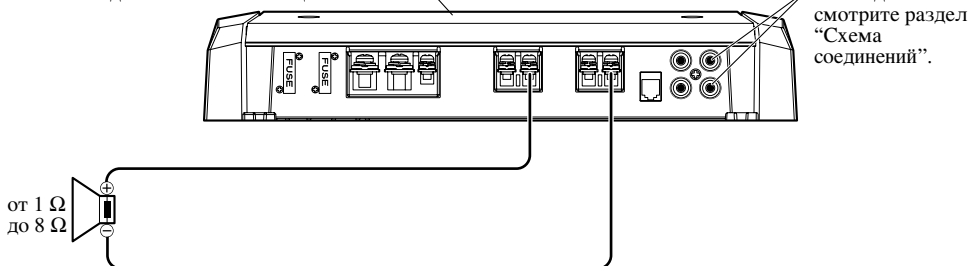
Чтобы правильно собрать или использовать мостовое соединение и получить нагрузку 2 Ω , подключите два 4 Ω динамика в параллель с ЛЕВЫМ + и ПРАВЫМ - (Схема А) или используйте одиночный 2 Ω динамик.

Если комплексное полное сопротивление от 2 Ω до меньше чем 4 Ω , всегда убеждайтесь, что переключатель POWER MODE установлен в позицию HI-CURRENT.

В дополнение, обратитесь к технологической инструкции динамика по правильной процедуре соединения.

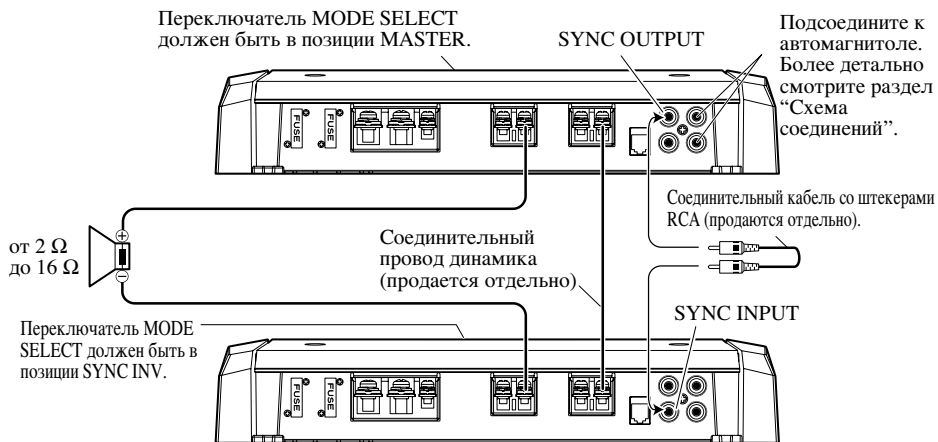
Одиночный усилитель

Переключатель MODE SELECT должен быть в позиции MASTER.



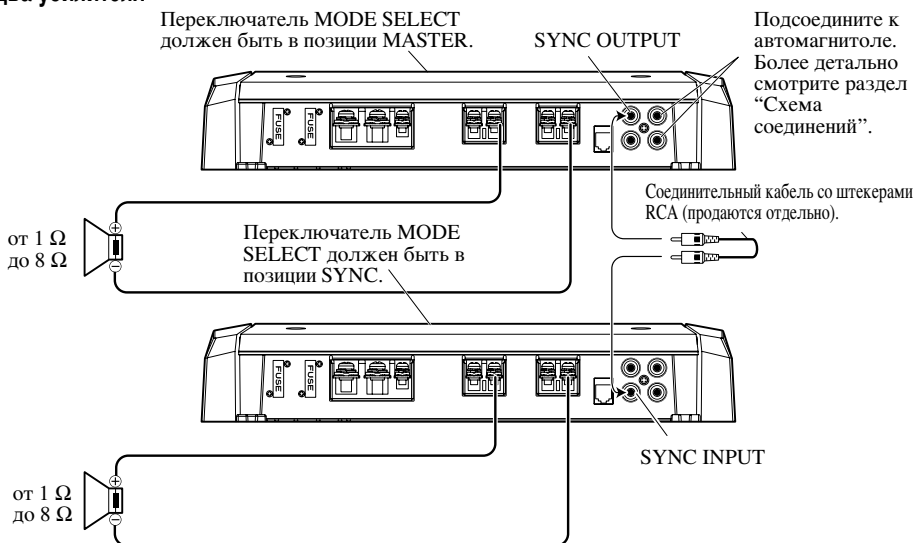
- Используйте динамики, имеющие полное сопротивление от 1 Ω до 8 Ω .
- Установка переключателя POWER MODE варьируется в соответствии с полным сопротивлением динамика. Детально смотрите раздел "Установка Устройства".

Два усилителя (Мостовое соединение)



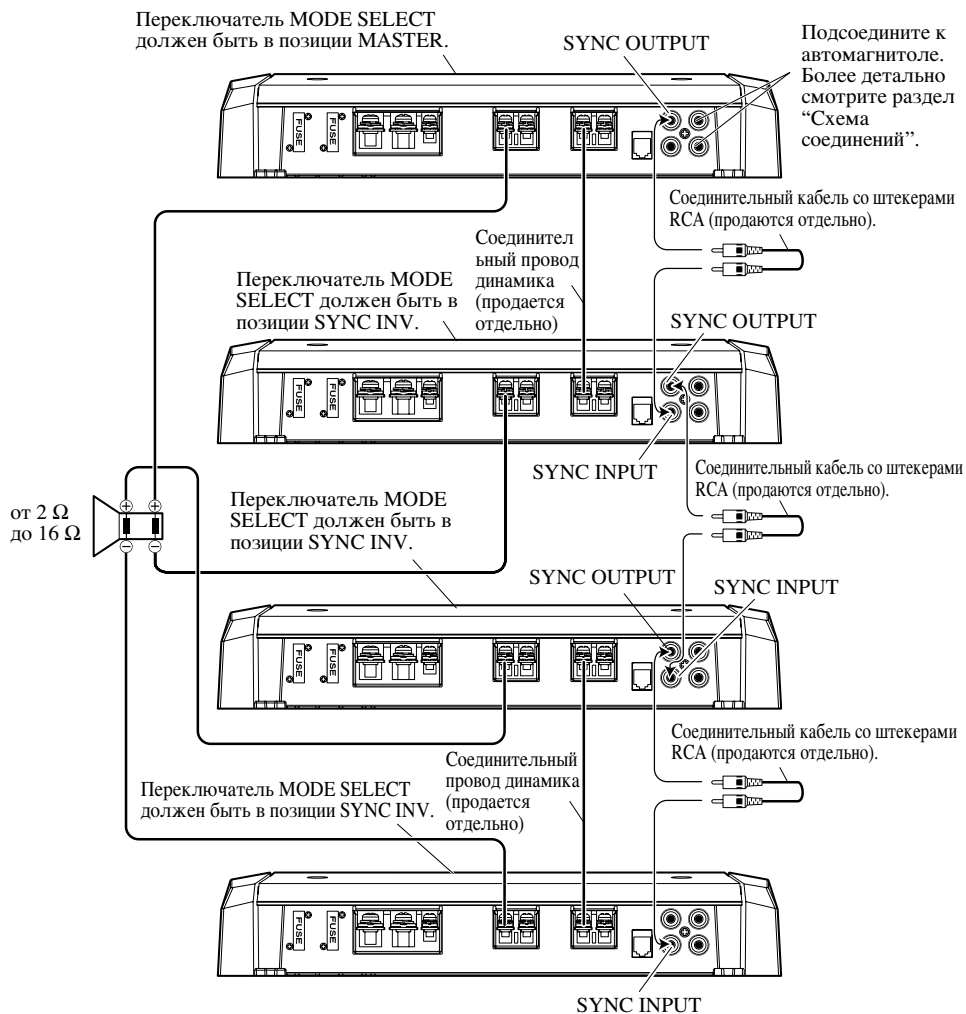
- Используйте только динамики, имеющие полное сопротивление от 2 Ω до 16 Ω . В дополнение, в случае соединения множества динамиков в мостовое соединение, проверьте чтобы комплексное полное сопротивление было по крайней мере 2 Ω .
- Установка переключателя POWER MODE варьируется в соответствии с полным сопротивлением динамика. Передвиньте переключатель POWER MODE в позицию HI-CURRENT если полное сопротивление от 2 Ω до меньше чем 4 Ω , или передвиньте его в позицию NORMAL, если полное сопротивление от 4 Ω до 16 Ω . Эта же установка используется для двух усилителей.
- Когда переключаетесь на режим SYNC INV, верхняя изоляция переключателя MODE SELECT должна быть снята, и Вы сможете найти переключатель SYNC INV. Снимите изоляцию после того, как проверите, что соединения правильные.

Два усилителя



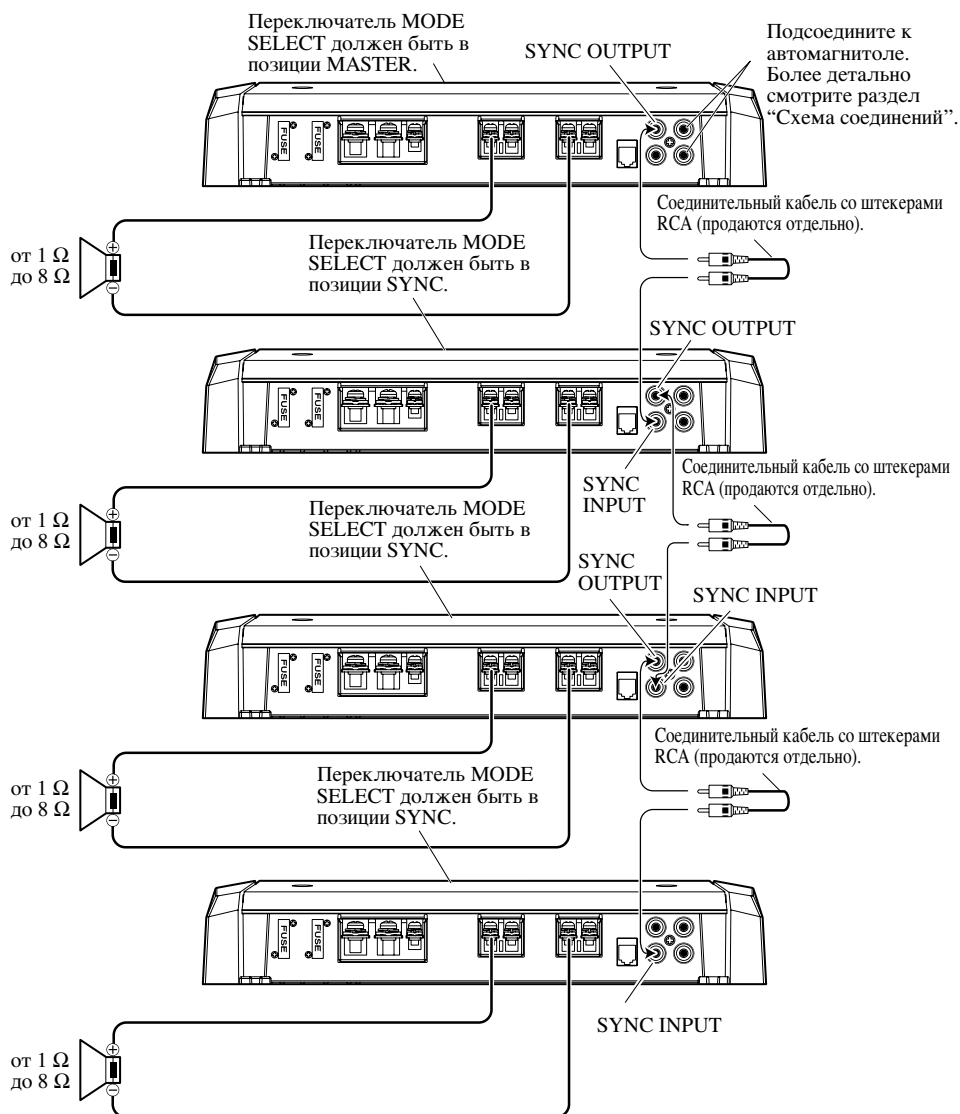
- Используйте динамики, имеющие полное сопротивление от 1 Ω до 8 Ω .
- Установка переключателя POWER MODE варьируется в соответствии с полным сопротивлением динамика. Детально смотрите раздел “Установка Устройства”. Эта же установка используется для двух усилителей.

Четыре усилителя (Мостовое соединение)



- Используйте только динамики, имеющие полное сопротивление от 2 Ω до 16 Ω . В дополнение, в случае соединения множества динамиков в мостовое соединение, проверьте чтобы комплексное полное сопротивление было по крайней мере 2 Ω .
- Установка переключателя POWER MODE варьируется в соответствии с полным сопротивлением динамика. Передвиньте переключатель POWER MODE в позицию HI-CURRENT если полное сопротивление от 2 Ω до меньше чем 4 Ω , или передвиньте его в позицию NORMAL, если полное сопротивление от 4 Ω до 16 Ω . Эта же установка используется для четырех усилителей.
- Когда переключаетесь на режим SYNC INV, верхняя изоляция переключателя MODE SELECT должна быть снята, и Вы сможете найти переключатель SYNC INV. Снимите изоляцию после того, как проверите, что соединения правильные.

Четыре усилителя



- Используйте динамики, имеющие полное сопротивление от 1 Ω до 8 Ω .
- Установка переключателя POWER MODE варьируется в соответствии с полным сопротивлением динамика. Детально смотрите раздел “Установка Устройства”. Эта же установка используется для четырех усилителей.

ОСТОРОЖНО!

- При установке устройства необходимо выполнять следующие требования:
 - Не устанавливайте устройство в местах, где оно может травмировать водителя или пассажиров в случае резкого торможения.
 - Не устанавливайте устройство в таких местах, где оно может мешать водителю, например на полу перед сиденьем водителя.
- Провода не должны попадать в механизм передвижения сидений, так как это может привести к короткому замыканию.
- При просверливании отверстий для установки усилителя убедитесь в том, что за панелью не расположены какие-либо детали. Защитите от возможных повреждений все кабели и важное оборудование, например трубки топливной и тормозной системы и электропроводку.
- Установите нарезные винты таким образом, чтобы острия винтов не прикасались к каким-либо проводам. Это требование имеет очень важное значение для предотвращения обрыва проводов в результате вибрации автомобиля. Подобный обрыв может привести к возникновению пожара.
- НЕ УСТАНАВЛИВАЙТЕ усилитель в таких местах, где на него могут попадать какие-либо жидкости. Это может привести к поражению электрическим током. Кроме того, контакт с жидкостью может привести к повреждению усилителя и динамиков, выделению дыма и перегреву. При этом поверхность усилителя и подключенных к нему динамиков может нагреться и прикосновение к ней может привести к незначительным ожогам.
- Для правильной установки следует использовать компоненты, входящие в комплект поставки, в соответствии с приведенными инструкциями. В случае использования каких-либо компонентов, не входящих в комплект поставки, данные компоненты могут повредить внутренние части усилителя или отсоединиться, что приведет к отключению усилителя.
- Никогда не заменяйте перегоревший предохранитель предохранителем с ббльшим номиналом. Использование неподходящего предохранителя может привести к перегреву и выделению дыма. Это также может привести к повреждению устройства и травмам, в том числе ожогам.

ОСТОРОЖНО!

Инструкции по предупреждению сбоев в работе и/или травм

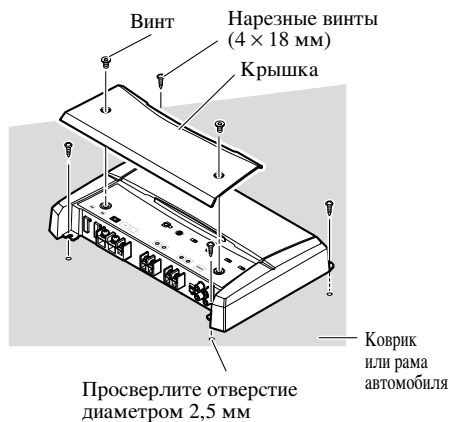
- Для того, чтобы обеспечить необходимое рассеивание тепла, генерируемого усилителем, во время установки обязательно выполните следующее:
 - Установите усилитель таким образом, чтобы над ним было достаточно открытого пространства для обеспечения адекватной вентиляции.
 - Не накрывайте усилитель настилом или ковриком.
- НЕ УСТАНАВЛИВАЙТЕ усилитель в таких местах, где на него могут попадать какие-либо жидкости. Это может привести к поражению электрическим током. Кроме того, контакт с жидкостью может привести к повреждению усилителя и динамиков, выделению дыма и перегреву. При этом поверхность усилителя и подключенных к нему динамиков может нагреться и прикосновение к ней может привести к незначительным ожогам.
- Не устанавливайте усилитель на нестабильных участках, как например на доске, прикрывающей запасное колесо.
- Лучшее место для установки усилителя зависит от модели автомобиля. Усилитель должен быть закреплен на достаточно устойчивом месте.
- Сначала подсоедините провода временно и убедитесь в том, что усилитель и система работают должным образом.
- Установив усилитель, убедитесь в том, что он не препятствует доступу к запасному колесу, домкрату и инструментам.

Пример установки усилителя на коврике или на раме автомобиля

1. Положите усилитель на место установки. Вставьте нарезные винты (4×18 мм), входящие в комплект поставки, в отверстия для винтов. Надавите на нарезные винты отверткой, чтобы оставить метки в тех местах, где должны быть расположены отверстия.
2. Просверлите отверстия диаметром 2,5 мм в отмеченных точках и установите усилитель, либо на настиле, либо непосредственно на раме автомобиля.

Возвращение крышки на место

1. Выровняйте устройство с крышкой и вставьте винты.
2. Затяните винты с помощью 4 мм шестиугольного гаечного ключа.



| | |
|---|--|
| Источник питания | 14,4 В пост. ток (10,8 В до 15,1 В допустимый) |
| Система заземления | Отрицательный тип |
| Расход тока | 39 А (при длительной мощности, 4 Ω) |
| Среднее потребление тока* | 12 А (4 Ω для одного канала) 20 А (2 Ω для одного канала) 28 А (1 Ω для одного канала) |
| Предохранитель (наружный) | 40 А × 2 |
| Размеры | 304 (Ш) × 56 (В) × 195 (Г) мм |
| Вес | 2,9 кг (провода для электропроводки не включены) |
| Максимальный выход мощности | 800 Вт × 1 (4 Ω) / 1 200 Вт × 1 (1 Ω до 2 Ω) |
| Длительная мощность (14,4 В) | режим NORMAL: 4 Ω, 20 Гц до 240 Гц, ≤ 1,0% THD, 400Вт × 1 2 Ω, 100 Гц, ≤ 1,0% THD, 600Вт × 1 режим HI-CURRENT: 4 Ω, 20 Гц до 240 Гц, ≤ 1,0% THD, 150Вт × 1 2 Ω, 100 Гц, ≤ 1,0% THD, 300Вт × 1 1 Ω, 100 Гц, ≤ 1,0% THD, 600Вт × 1 |
| Полное сопротивление нагрузки | 4 Ω (1 Ω до 8 Ω допустимый) |
| Частотная характеристика | 10 Гц до 240 Гц (+0 дБ, -3 дБ) |
| S/N отношение | 92 дБ (IEC-A сеть) |
| Искажение | 0,5 % (10 Вт, 100 Гц) |
| Фильтр нижних частот | Предельная частота: 40 Гц до 240 Гц Предельный наклон: -18 дБ/октава |
| Дозвуковой фильтр (HPF) | Частота: 20 Гц Наклон: -18 дБ |
| Подъем частотной характеристики в области нижних частот | Частота: 50 Гц Уровень: 0 / 6 / 9 / 12 дБ |
| Регулятор усиления | RCA: 400 мВ до 6,5 В SP: 1,6 мВ до 26 В |
| Уровень максимального входа / полное сопротивление | RCA: 6,5 В / 22 кΩ SP: 26 мВ / 90 кΩ |

Примечание:

- Спецификации и конструкция могут быть изменены без предварительного уведомления в связи с постоянной работой по улучшению устройства.

Примечание:

В соответствии со статьей 5 закона Российской Федерации «О защите прав потребителей» и постановлением правительства Российской Федерации № 720 от 16.06.97 компания Pioneer Europe NV оговаривает следующий срок службы изделий, официально поставляемых на российский рынок.

Автомобильная электроника: 6 лет
Другие изделия (головные телефоны, микрофоны, и т.п.): 5 лет

*Среднее потребление тока

- Среднее потребление тока приблизительно равно максимальному потреблению тока данным устройством при поступлении в него звукового сигнала. Данное значение следует использовать для расчета общего потребления тока несколькими усилителями мощности.



Visit **www.pioneer.co.uk** (or **www.pioneer-eur.com**) to register your product.

Visite **www.pioneer.es** (o **www.pioneer-eur.com**) para registrar su producto.
Zum Registrieren Ihres Produktes besuchen Sie bitte **www.pioneer.de** (oder **www.pioneer-eur.com**).

Visitez **www.pioneer.fr** (ou **www.pioneer-eur.com**) pour enregistrer votre appareil.

Si prega di visitare il sito **www.pioneer.it** (o **www.pioneer-eur.com**) per registrare il prodotto.

Bezoek **www.pioneer.nl** (of **www.pioneer-eur.com**) om uw product te registreren.

Посетите **www.pioneer-rus.ru** (или **www.pioneer-eur.com**) для регистрации приобретенного Вами изделия.

PIONEER CORPORATION

4-1, MEGURO 1-CHOME, MEGURO-KU, TOKYO 153-8654, JAPAN

PIONEER ELECTRONICS (USA) INC.

P.O. Box 1540, Long Beach, California 90801-1540, U.S.A.

TEL: (800) 421-1404

PIONEER EUROPE NV

Haven 1087, Keetberglaan 1, B-9120 Melsele, Belgium

TEL: (0) 3/570.05.11

PIONEER ELECTRONICS ASIACENTRE PTE. LTD.

253 Alexandra Road, #04-01, Singapore 159936

TEL: 65-6472-7555

PIONEER ELECTRONICS AUSTRALIA PTY. LTD.

178-184 Boundary Road, Braeside, Victoria 3195, Australia

TEL: (03) 9586-6300

PIONEER ELECTRONICS OF CANADA, INC.

300 Allstate Parkway, Markham, Ontario L3R 0P2, Canada

TEL: 1-877-283-5901

PIONEER ELECTRONICS DE MEXICO, S.A. de C.V.

Bldv.Manuel Avila Camacho 138 10 piso

Col.Lomas de Chapultepec, Mexico, D.F. 11000

TEL: 55-9178-4270

Published by Pioneer Corporation.

Copyright © 2006 by Pioneer Corporation.

All rights reserved.

Publication de Pioneer Corporation.

Copyright © 2006 Pioneer Corporation.

Tous droits de reproduction et de traduction réservés.

Printed in China

Imprimé en Chine

Free Manuals Download Website

<http://myh66.com>

<http://usermanuals.us>

<http://www.somanuals.com>

<http://www.4manuals.cc>

<http://www.manual-lib.com>

<http://www.404manual.com>

<http://www.luxmanual.com>

<http://aubethermostatmanual.com>

Golf course search by state

<http://golfingnear.com>

Email search by domain

<http://emailbydomain.com>

Auto manuals search

<http://auto.somanuals.com>

TV manuals search

<http://tv.somanuals.com>