

CTW

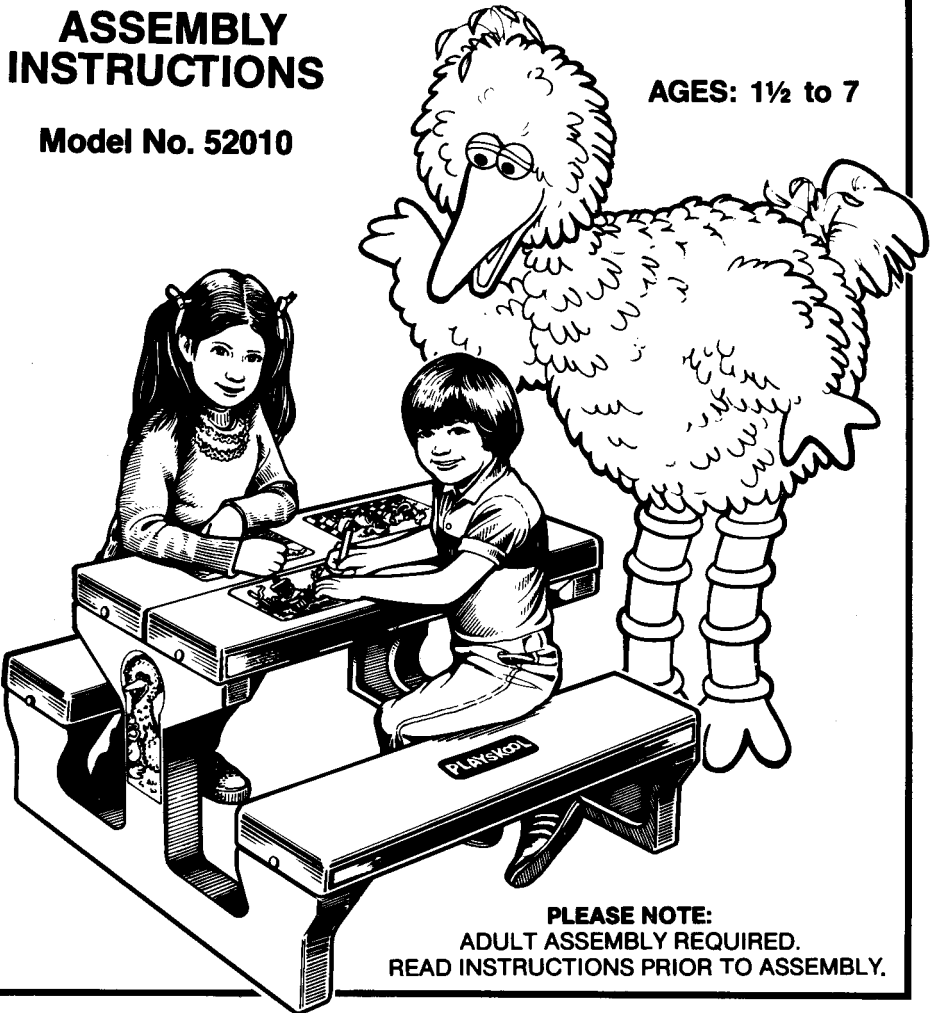
SESAME STREET[®]

TABLE

ASSEMBLY INSTRUCTIONS

Model No. 52010

AGES: 1½ to 7



PLEASE NOTE:
ADULT ASSEMBLY REQUIRED.
READ INSTRUCTIONS PRIOR TO ASSEMBLY.

PLAYSKOOL[®]



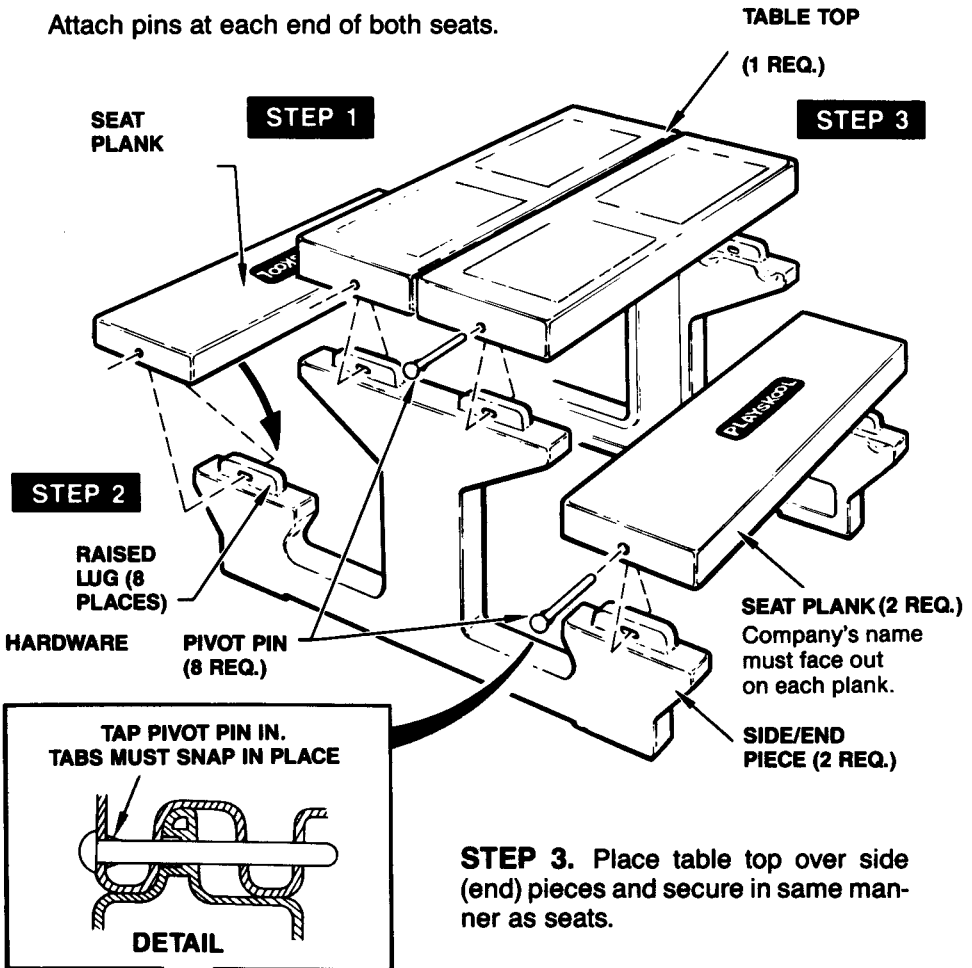
ASSEMBLY INSTRUCTIONS

TOOL REQUIRED: HAMMER

STEP 1: Place seats on raised lugs of side (end) pieces. The lugs are designed to mate into a corresponding recess in the underside of the seats for a tight fit. **Make sure the company's name faces out on each seat.**

STEP 2. Press down firmly on end of seat and insert pivot pin into end hole. **Maintain downward pressure** on seat and tap pivot pin completely through seat and side (end) piece.

Attach pins at each end of both seats.



STEP 3. Place table top over side (end) pieces and secure in same manner as seats.

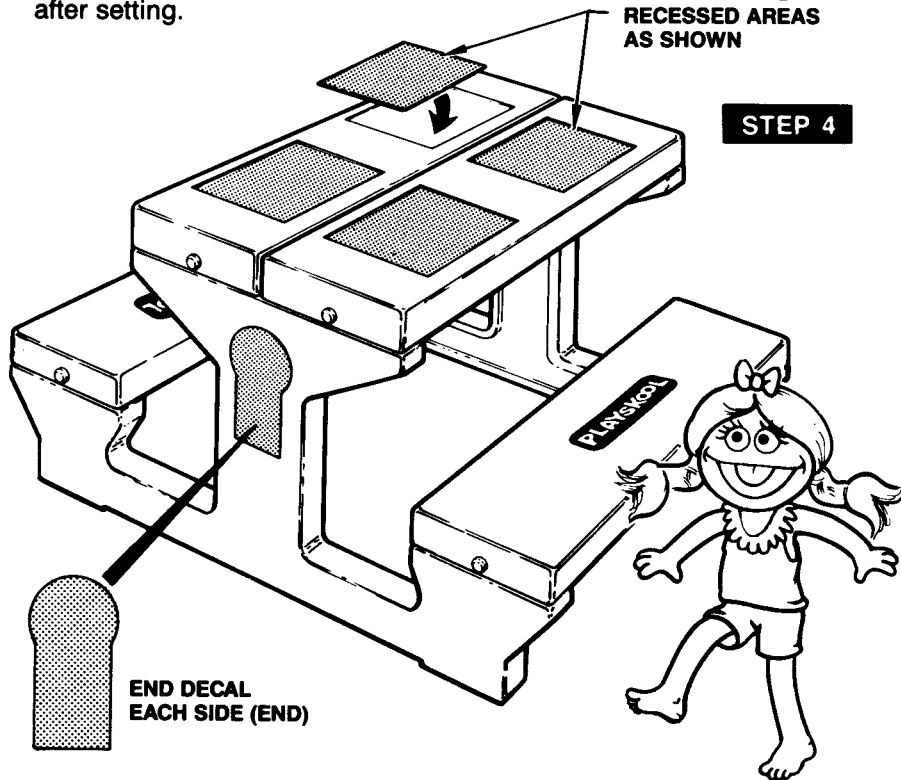
STEP 4. Thoroughly wipe decal areas with a clean, dry cloth. Remove decals one at a time and apply to the positions shown. Be sure place mat decals are applied facing sitter.

Rub down completely only when correctly positioned. **See Illustration.**

IMPORTANT : Decals have quick-setting adhesive; be sure of position before applying. Decal cannot be lifted after setting.

PLACE THE 4
DECORATIVE
MATS INTO THE
RECESSED AREAS
AS SHOWN

STEP 4



END DECAL
EACH SIDE (END)

NOTE TO ADULTS

THIS TABLE SHOULD NOT BE USED FOR ANYTHING OTHER THAN ITS INTENDED PURPOSE. DO NOT STAND ON TABLE OR USE TO STORE HEAVY OBJECTS. PERIODICALLY CHECK PIVOT PINS TO BE SURE THEY ARE SECURE. PROMPTLY REPLACE ANY DAMAGED PARTS.



PLEASE RETAIN THIS GUIDE AND ALL LITERATURE FOR FUTURE REFERENCE.

PLEASE NOTE:

If you have any questions or comments concerning this product, call our
Playskool Customer Service hotline 1-800-237-0063
Monday through Friday, 8:30 am to 4:30 pm.
Eastern Standard Time. In Rhode Island, call: 431-8697

All written inquiries should be mailed to:
Playskool Consumer Services Division
P.O. Box 5839, Pawtucket, Rhode Island 02862
This will provide quick and reliable service for your product.
Do not request same from your dealer.

©1986 Children's Television Workshop. Sesame Street
MUPPETS ©1986 Muppets, Inc. All Rights Reserved.
Sesame Street and the Sesame Street sign are trademarks
and service marks of Children's Television Workshop.

**SESAME STREET® INDOOR/OUTDOOR TABLE
PARTS ORDER FORM**

PART NUMBER	DESCRIPTION	QTY.	UNIT PRICE
40288300	DECAL SHEET	1	\$1.75
40288400	PLACEMAT SHEET	1	\$2.95
40288500	HARDWARE BAG	1	\$1.10



Model No. 52010
P/N 40018000

©1988 Playskool, Inc., Pawtucket, RI 02862 USA,
a subsidiary of Hasbro, Inc. All Rights Reserved.
Made and Printed in U.S.A.

Free Manuals Download Website

<http://myh66.com>

<http://usermanuals.us>

<http://www.somanuals.com>

<http://www.4manuals.cc>

<http://www.manual-lib.com>

<http://www.404manual.com>

<http://www.luxmanual.com>

<http://aubethermostatmanual.com>

Golf course search by state

<http://golfingnear.com>

Email search by domain

<http://emailbydomain.com>

Auto manuals search

<http://auto.somanuals.com>

TV manuals search

<http://tv.somanuals.com>