



This manual covers model numbers:

Canada

- PC 100-34 2NV or 2PV
- PC 130-34 2NV or 2PV
- PC 130-50 2NV or 2PV
- PC 150-34 2NV or 2PV
- PC 150-50 2NV or 2PV
- PC 175-50 3NV or 3PV
- PC 199-50 3NV or 3PV

Note:

The manufacturer of this water heater recommends that it be professionally installed by trained and qualified service professionals.

Polaris® Commercial Gas Water Heater Installation Instructions and Use & Care Guide

To obtain technical, warranty or service assistance during or after the installation of this water heater, visit our website at:

<http://www.gsw-wh.com>

or call toll free:
1-888-479-8324

When calling for assistance, please have the following information ready:

1. Model number
2. 7 Digit product number
3. Serial number
4. Date of installation
5. Place of Purchase

Table of Contents..... 2

INSTALLER:

- Affix these instructions to or adjacent to the water heater.

OWNER:

- Retain these instructions and warranty for future reference. Retain the original receipt as proof of purchase.

WARNING: If the information in these instructions is not followed exactly, a fire or explosion may result causing property damage, personal injury or death.

Do not store or use gasoline or other flammable vapors and liquids in the vicinity of this or any other appliance.

WHAT TO DO IF YOU SMELL GAS

- Do not try to light any appliance.
- Do not touch any electrical switch; do not use any telephone in your building.
- Immediately call your gas supplier from a neighbor's telephone. Follow the gas supplier's instructions.
- If you cannot reach your gas supplier, call the fire department.

Installation and service must be performed by a qualified installer, service agency or the gas supplier.



Your safety and the safety of others are very important.

We have provided many important safety messages in this manual and on your appliance. Always read and obey all safety messages.



This is the safety alert symbol.

This symbol alerts you to potential hazards that can kill or hurt you and others.

All safety messages will follow the safety alert symbol and either the word "DANGER" or "WARNING." These words mean:

⚠ DANGER

Indicates an imminently hazardous situation which, if not avoided, will result in death or injury.

⚠ WARNING

Indicates a hazardous situation which, if not avoided, could result in death or serious injury.

All safety messages will tell you what the potential hazard is, tell you how to reduce the chance of injury, and tell you what can happen if the instructions are not followed.

Important Instructions

- Do not use this water heater if any part has been under water. Immediately call a qualified service technician. Water heaters subjected to flood conditions or anytime the gas controls, main burner or ignition control have been submerged in water require replacement of the entire water heater.
- Hydrogen gas can be produced in a hot water system that has not been used for a long period of time (generally two weeks or more). Hydrogen gas is extremely flammable and can ignite when exposed to a spark or flame. To prevent the possibility of injury under these conditions, we recommend the hot water faucet be opened for several minutes at the kitchen sink before using any electrical appliance which is connected to the hot water system. If hydrogen is present, there will probably be an unusual sound such as air escaping through the faucet as water begins to flow. Do not smoke or have any open flame near the faucet at the time it is open.

Table of Contents

	Page
Water Heater Safety	1-2
Installation Instructions	3-22
Unpacking the Water Heater	3
Location Requirements	4
Condensate Line	5-6
Intergrated Filter Installation	7
Vent Pipe System	8-11
Vent Terminations	9-12
Gas Input Rate	13
Water System Piping	13-16
Gas Supply and Piping	17-18
Electrical Connections/Wiring Diagram	19-20
Installation Checklist	21
Operating Your Water Heater	22-24
Polaris® Operating Instructions	23
Maintenance of Your Water Heater	24-25
Troubleshooting	26
Software Operation Sequence	27
Parts List and Diagram	28
Polaris® Models and Dimensions	29

INSTALLATION INSTRUCTIONS

Consumer Information

OBSERVE ALL GOVERNING CODES AND ORDINANCES.

This water heater is design-certified by CSA International as a Category IV, direct vented water heater which takes its combustion air from the outside of the structure and exhausts all products of combustion to the outside of the structure.

This water heater must be installed according to all local and state codes or in the absence of local and state codes with the "National Fuel Gas Code", ANSI Z223.1(NFPA 54)- current edition. Canadian installations must be performed in accordance with CAN/CSA-B149.1-current edition. This is available from the following:

CSA America, Inc.
8501 East Pleasant Valley Road
Cleveland, OH 44131

National Fire Protection Agency
1 Batterymarch Park
Quincy, MA 02169-7471

Canadian Standards Association
178 Rexdale Boulevard
Toronto, ON M9W 1R3

Check the phone listings for the local authorities having jurisdiction over this installation.

Installer and Owner Responsibilities

This manual has been prepared to acquaint you with the installation, operation, and maintenance of your gas water heater and provide important safety information in these areas.

Read all of the instructions thoroughly before attempting the installation or operation of this water heater.

Do not discard this manual. You or future users of this water heater will need it for future reference.

Service to the water heater should only be performed by a qualified service technician.

Examples of qualified service technicians include: those trained in the plumbing and heating industry, local gas utility personnel, or an authorized service person.

The manufacturer and seller of this water heater will not be liable for any damages, injuries, or deaths caused by failure to comply with the installation and operating instructions outlined in this manual.

If you lack the necessary skills required to properly install this water heater, or you have difficulty following the instructions, you should not proceed but have a qualified service technician perform the installation of this water heater.

A data plate identifying your water heater can be found on the front of the heater. When referring to your water heater, always have the information listed on the data plate readily available.

Keep combustibles such as boxes, magazines, clothes, etc., away from water heater area.

Retain your original receipt as proof of purchase.

Unpacking the Water Heater

WARNING

Excessive Weight Hazard

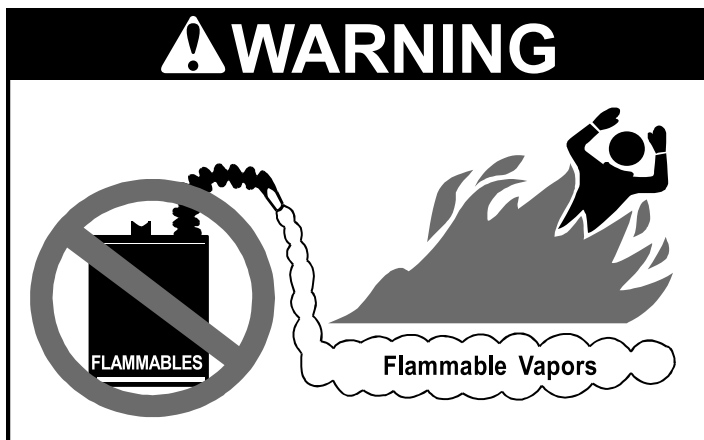
Use two or more people to move and install water heater unless proper handling equipment is utilized.

Failure to do so can result in back or other injury.

Removing Packaging Materials

Important: Do not remove any permanent instructions, labels, or the data plate from outside of the water heater or on the inside of panels.

- Remove exterior packaging and place installation components aside.
- Inspect all parts for damage prior to installation and start-up.
- Completely read all instructions before attempting to assemble and install this product.
- After installation, dispose of packaging material in the proper manner.

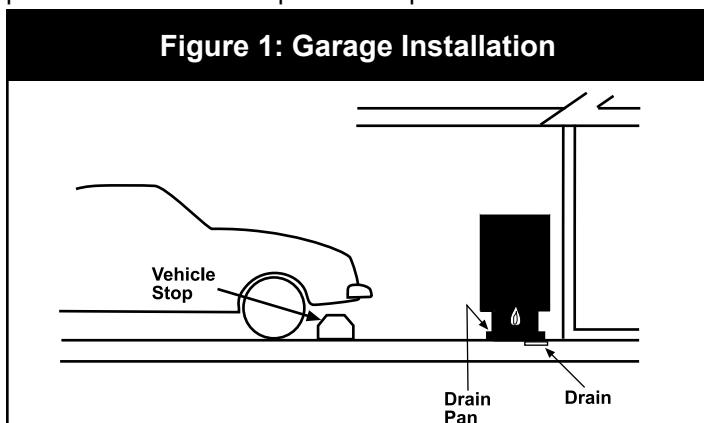


FIRE AND EXPLOSION HAZARD Can result in serious injury or death

Do not store or use gasoline or other flammable vapors and liquids in the vicinity of this or any other appliance. Storage of or use of gasoline or other flammable vapors or liquids in the vicinity of this or any other appliance can result in serious injury or death.

Location Requirements

The water heater design has been tested by CSA International and complies with ANSI Z21.10.1, Section 2.35 Flammable Vapors Resistance. In garage installation avoid damage to your water heater by installing a vehicle stop as shown in figure below. Check state and local/provincial codes for requirements prior to installation.



This water heater is not certified for installation in mobile homes.

Site Location

- Select a location near the center of the water piping system. The water heater must be installed indoors and in a vertical position on a level surface. DO NOT install in bathrooms, bedrooms, or any occupied room normally kept closed. **Note:** The water heater may be installed in a closet with a door off a bedroom or bathroom providing the units are installed and vented per the manufacturer's instructions.
- Consider the inlet and exhaust vent system piping when selecting the water heater location. The venting system must be able to run from the water heater to

the termination with a minimal length and number of elbows. Input rates are reduced as vent system length increases. The venting system must comply with the requirements set forth in the venting section of this manual.

- Locate the water heater near the existing gas piping. If installing a new gas line, locate the water heater to minimize the pipe length and elbows.

Important: Air for combustion and ventilation must not come from a corrosive atmosphere. Any failure due to corrosive elements in the atmosphere is excluded from warranty coverage.

Note: The water heater must be installed according to all state and local/provincial codes or in absence of the state and local/provincial codes with the "National Fuel Gas Code", ANSI Z223.1 (NFPA 54)-current edition. Canadian installations must be performed in accordance with CAN/CSA-B149.1-current edition.

Important: The water heater should be located in an area where leakage of the tank or connections will not result in damage to the area adjacent to the water heater or to lower floors of the structure. **Due to the normal corrosive action of the water, the tank will eventually leak after an extended period of time. Also any external plumbing leak, including those from improper installation, may cause early failure of the water tank due to corrosion if not repaired. A qualified service technician should be contacted for repairs.** A suitable metal drain pan should be installed under the water heater as shown below, to help protect the property from damage which may occur from condensate formation or leaks in the piping connections or tank. The pan must limit the water level to a maximum depth of 1-3/4" (4.45 cm) and be at least two inches (5 cm) wider than the heater and piped to an adequate drain. Locate the water heater near a suitable indoor drain. Outside drains are subject to freezing temperatures which can obstruct the drain line. The piping should be at least 3/4" (1.91 cm) ID and pitched for proper drainage. Under no circumstances will the manufacturer or seller of this water heater be held liable for any water damage which is caused by your failure to follow these instructions.

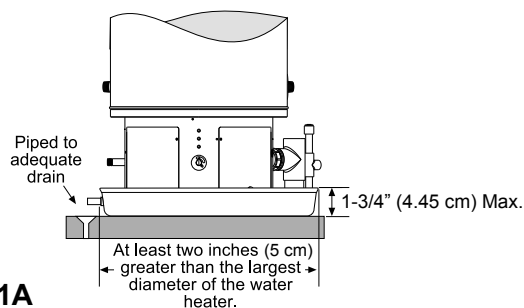


Figure 1A

- The water heater should be located in an area not subject to freezing temperatures. Water heaters located in unconditioned spaces (i.e., attics, basements, etc) may require insulation of the water piping and drain piping to protect against freezing. The drain and controls must be easily accessible for operation and service. Maintain proper clearances as specified on the data plate.

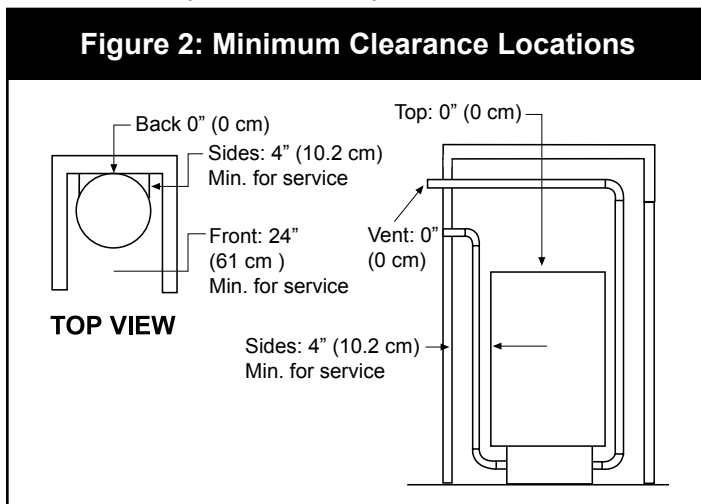
Clearances and Accessibility

Notice: Minimum clearances from combustible materials are stated on the data plate located on the front of the water heater.

- The water heater is certified for installation on a combustible floor.

Important: If installing over carpeting, the carpeting must be protected by a metal or wood panel beneath the water heater. The protective panel must extend beyond the full width and depth of the water heater by at least 3 inches (7.62 cm) in any direction or if in a alcove or closet installation, the entire floor must be covered by the panel. The panel must be strong enough to carry the weight of the heater when full of water.

Figure 2 may be used as a reference guide to locate the specific clearance locations. A minimum of 24 inches (61 cm) of front clearance and 4 inches (10.2 cm) on each side should be provided for inspection and service.



CONDENSATE LINE

Important: Do not run the condensate drain in areas that are likely to freeze. Frozen condensate will block the drain line and result in property damage or water heater malfunction.

Condensate Trap Assembly

A condensate trap/drain stem assembly has been supplied with the water heater and is located behind the access door inside the base of the water heater. This assembly must be installed between the water heater and the exhaust outlet piping to ensure proper operation of the water heater. To install, remove the slip-joint nut, stainless steel washer, and O-ring from the trap assembly. Slip the nut, washer and O-ring (in that order) over the stainless exhaust tubing and slide them back near the base of the heater. Insert the trap assembly over the tubing (see figure 3A accordingly) and firmly hand-tighten (using a wrench will cause the O-ring to seal improperly) the nut to form a water-tight seal between the O-ring and the stainless exhaust tubing. When tightened, the nut to heater base clearance should be 3/4" (+/- 1/8") tolerance (1.9 cm +/- 0.31 cm tolerance).

Note: The trap should be aligned so that the exhaust pipe is in a vertical position close to the surface of the water heater.

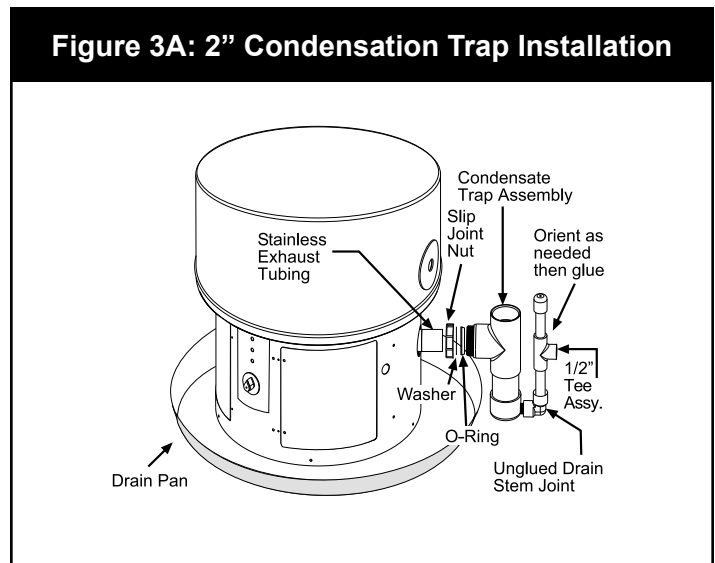
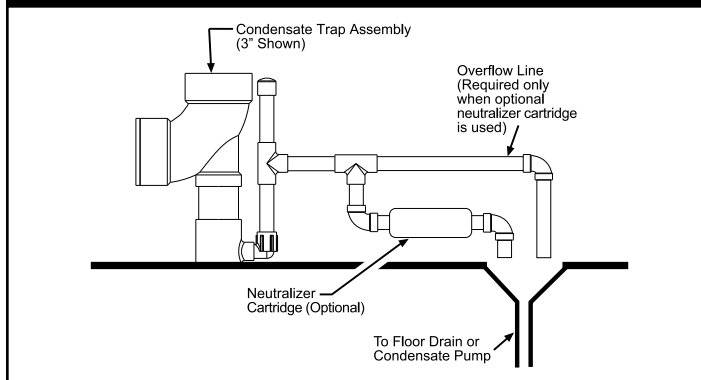


Figure 3B: Condensate Drain



Condensate Drain Line

All parts of the condensate trap are glued except for the 1/2" CPVC drain stem joint at the elbow (see figure 3A). This assembly can be turned with the outlet of the tee oriented as needed.

Once orientation direction is decided, remove the unglued joint from the elbow at the bottom and apply a suitable cement to joint. Re-insert the joint fully and quickly into the elbow making sure to orient it before the cement sets. Connect the remaining piping and run the condensate drain line to a suitable drain.

Important: Be sure the drain stem joint is inserted against the stop in the elbow. Failure to do so may result in improper water heater operation.

If required by local codes, install a condensate neutralizer cartridge on the drain line (see figure 3B).

The condensate drain line must be routed to a suitable drain. If no floor drain is available or the drain is above the level of the condensate line, install a condensate pump that is resistant to the acidic condensate. These pumps are available from local distributors. If the pump is not resistant to acidic water, a condensate neutralizer must be used ahead of the pump.

When installing the drain line, note the following:

- Plastic pipe or tubing must be used to connect the condensate drain to a suitable drain or condensate pump. Do not use copper tubing, iron, or steel pipe for the condensate drain line.
- Condensate drain lines should be installed in conditioned areas only. Drain lines installed in areas that are subject to freezing temperatures should be wrapped with a nationally recognized/listed heat tape and/or approved insulation for freeze protection. Install per manufacturer's instructions.
- Do not common drain with the temperature and pressure relief valve or the condensate line from an air conditioner evaporator coil.
- Slope the condensate drain toward the inside floor drain or condensate pump.
- The condensate drain line and connection to the drain piping must comply with all local codes.
- Do not run the condensate line into the metal drain pan.

VENT PIPE SYSTEM

⚠ WARNING

Carbon Monoxide Hazard

Follow all instructions to locate and install the vent pipe system.

Instructions can be found in this manual, in state or local codes (or the authority having jurisdiction), or in the absence of such, the National Fuel Gas Code, ANSI Z223.1, NFPA 54, Current Edition. Canadian installations must be performed in accordance with CAN/CSA-B149.1, Current Edition.

Failure to properly locate and install the vent pipe system can result in death or carbon monoxide poisoning.

Venting

This water heater has a direct vent system in which all air for combustion is taken from the outside atmosphere and all combustion products are discharged to the outdoors.

This water heater must be properly vented for removal of exhaust gases to the outside atmosphere. Correct installation of the vent pipe system is mandatory for the safe and efficient operation of this water heater and is an important factor in the life of the unit.

Vent pipe installation must be performed in accordance with state and local codes, or in the absence of such, the National Fuel Gas Code, NFPA 54, ANSI Z223.1-current edition. Canadian installations must be performed in accordance with CAN/CSA-B149.1-current edition.

When replacing an existing Polaris® unit, it is recommended that the venting system be reviewed for compliance with the requirements contained in this installation manual. If the venting is not in compliance, it is recommended that the appropriate changes be made to bring it into compliance.

Note: It is important that the factory-installed air inlet filter be inspected at least twice each year and cleaned if necessary. See "Integrated Filter Installation, Preventive Maintenance". **Note:** if the vent system is not in compliance with the current installation manual, the manufacturer reserves the right to evaluate the installation prior to granting any warranty on service claims.

Important: Check to make sure the vent pipe is not blocked in any way.

Note: Do not common vent this water heater with any other appliance. Do not install in the same chase or chimney with a metal or high-temperature plastic from another gas or fuel burning appliance.

Integrated Filter Installation

When installing the adaptor rubber boot, note the following:

- Remove and discard the plastic cap from the outer clamshell housing (see figure 4A).
- To connect the heater to the air inlet, use the vent adaptor rubber boot provided in the base skirt. The adaptor rubber boot is designed for 3" venting (see figure 4B). **Note:** If there is a need for 2" venting, then use plastic pipe and fittings to transition down.
- Loosen the hose clamp at the adaptor rubber boot and slide the plastic piping into the adaptor rubber boot. With piping in place, tighten the hose clamp. Install a 3" x 3" x 3" TY drain/waste/vent fitting to trap airborne particulates (see figure 4C). **Note:** If piping has been previously cut with a saw, be sure to remove all burrs and plastic shavings from the piping before installing.

Preventive Maintenance

The heater is designed to shut down if the pressure switch senses that the air inlet vent or the exhaust vent is restricted. In this case, the pressure switch will open and the heater will generate a 2-flash code (see the troubleshooting section). If troubleshooting section of this manual indicates that there is a blockage, note the following:

- Turn off the gas supply to the water heater at the manual gas shut-off valve, and disconnect power to the water heater.
- To inspect the filter, loosen the hose clamp at the adaptor rubber boot and slide the plastic pipe out and away from the adaptor rubber boot (see figure 4C).
- Remove the adaptor rubber boot containing the outer clamshell housing by turning clockwise approximately 1/2" (30.5 cm) and pulling off of the internal clamshell housing (see figure 4C).
- Using your fingers or a small flat blade screwdriver, remove the filter media from the outer clamshell housing, handle carefully (see figure 4D).
- To clean filter, lightly tap the back of the filter support to dislodge any large debris. Smaller debris may be removed by using a vacuum cleaner. the filter media may be cleaned by dipping the filter media into a solution of warm soapy water and rinsing in clean water. Do not scrub, allow to air dry before reinstalling. Filter media may be cleaned on an average 2 to 3 times before replacing with a new filter media is required.
- Reinstall the filter media by doing the above steps in reverse order.
- Turn on the gas supply and reconnect power, refer to the operating instructions on front of the water heater. Verify proper operation of the water heater before leaving.

Note: The heater must never be operated without the filter media installed.

Figure 4A: Remove Plastic Cap

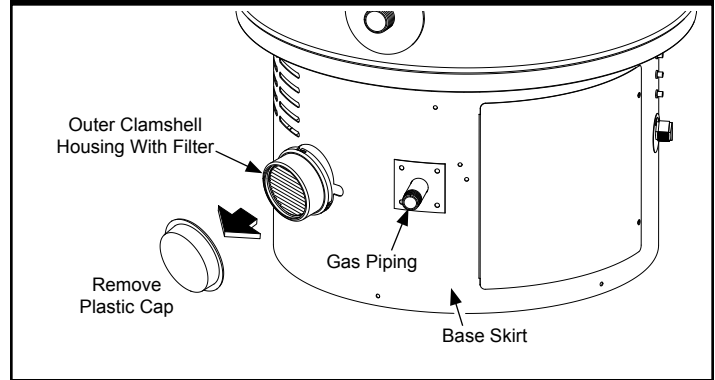


Figure 4B: Adaptor Rubber Boot

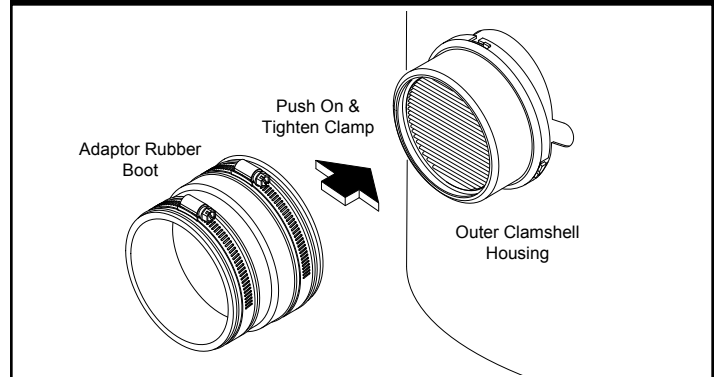


Figure 4C: Air Inlet Piping

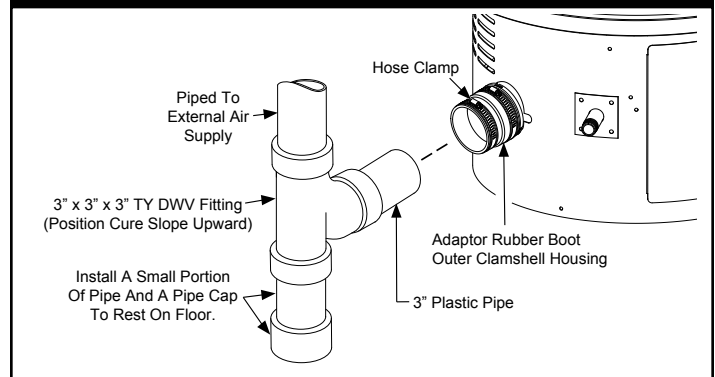
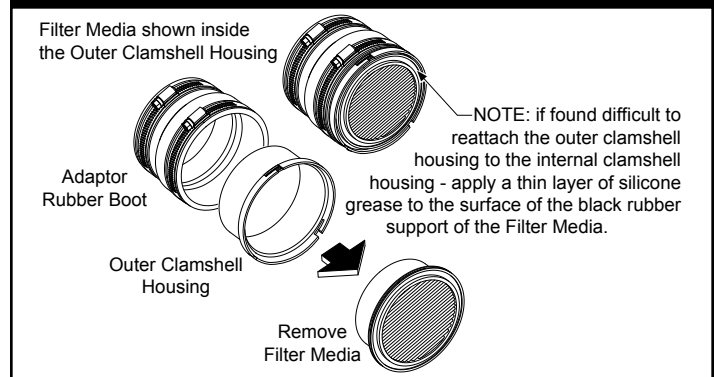


Figure 4D: Filter Media



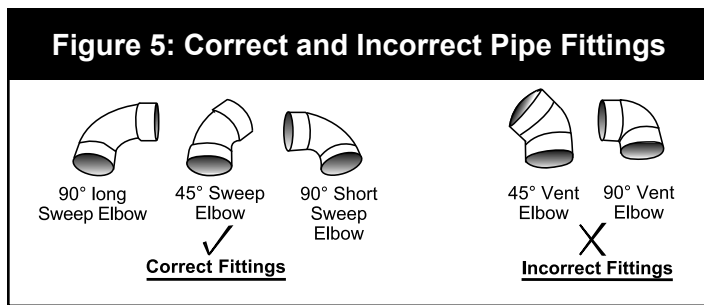
Vent Pipe Material

Combustion Air Inlet Piping; The following plastic materials may be used for combustion air inlet piping. **IMPORTANT:** Follow all local codes or, in the absence of local codes, CSA B149.1, Natural Gas and Propane Installation Code - current edition to properly install air inlet piping.

- Schedule 40 PVC
- Schedule 40 or 80 CPVC
- DWV Pipe and Foam Core Piping is acceptable as intake pipe only.

Exhaust Piping; Exhaust PVC or CPVC plastic piping shall be certified and marked as complying to Standard for Type BH Gas Venting System ULC-S636. In addition plastic piping, plastic components, primers, and glues must be from a single source manufacturer and not mixed with other listed or unlisted systems. **IMPORTANT:** Follow all local codes or, in the absence of local codes, CSA B149.1, Natural Gas and Propane Installation Code - current edition to properly install exhaust piping.

Important: Do not use vent elbows in this vent pipe installation (see figure 5 below).



Vent Pipe Installation

The following guidelines should be followed when installing the air inlet and exhaust outlet piping:

- Venting should be as direct as possible with a minimum number of pipe fittings.
- Vent diameter must not be reduced unless specifically noted in the installation instructions.
- All 2" horizontal vent piping must be sloped upward 1/4 inch per foot (21 mm per meter); (3" Piping must slope upward at 1/8" per foot) (10.5 mm per meter). This will allow condensate to run back to the heater and exit through the condensate trap.
- Support all horizontal pipe runs every four feet (1.2 m) and all vertical pipe runs every six feet (1.8 m) or according to local codes.
- Vents run through unconditioned spaces where below freezing temperatures are expected should be properly insulated to prevent freezing. For horizontal runs, wrap the vent pipe with nationally recognized/listed heat tape and/or approved insulation for freeze protection. Install per the manufacturer's instructions.
- An air intake filter is included with the unit and must be installed according to the installation instructions supplied with the filter.

The combustion air inlet and exhaust outlet piping and termination may be installed in one of the following type terminations:

1. Standard Horizontal (2 Pipe)
2. Alternate Horizontal (2 Pipe)
3. Vertical (2 Pipe)
4. Concentric Vent - Through the Wall
5. Concentric Vent - Through the Roof

All pipe, fittings, pipe cement, primers and procedures must conform to American National Standard Institute and American Society for Testing and Materials (ANSI/ASTM) standards in the United States. This water heater has been design certified by the Canadian Standards Association for use with the specified (CSA) listed plastic vent pipe.

All joints in the inlet and outlet piping must be properly cemented. Size and cut all piping before cementing.

1. Cut the pipe end square and remove all ragged edges and burrs. Make sure the inside of the pipe is clean and free of cuttings and loose dirt. Chamfer the end and apply primer to the fitting and pipe.
2. Using a suitable grade of pipe cement, apply a moderate, even coat inside the fitting. Apply a liberal amount of cement to the outside of the pipe to socket depth.

Note: It is important to select the proper pipe cement for the type of plastic pipe being used.

3. Assemble the parts quickly while the cement is still wet. Twist the pipe 1/4 turn during insertion and hold for 30 seconds.

Vent Pipe Length

Size the exhaust outlet and combustion air inlet pipes as specified in Table 1. This table lists the maximum allowable length in feet of the exhaust outlet and combustion air inlet pipes as related to the number of required elbows and the termination. The specified maximum lengths are for the separate inlet and exhaust pipe systems and not the combined length of both systems. Minimum pipe length is 6 feet (1.8 m) with one elbow per side.

1. Determine termination type and pipe size.
2. Determine number of elbows in exhaust pipe. Do not include the elbows in the termination or the condensate trap. Corresponding number indicates the maximum length of exhaust pipe.
3. Determine number of elbows in inlet pipe. Do not include the elbows in the termination. The corresponding number indicates the maximum length of inlet pipe.

Pipe Size in Inches	Number of 90° Elbows (short or long sweep only)						Termination Option	
	0	1	2	3	4	5		6
*2	N/A	52 (15.8)	48 (14.6)	44 (13.4)	40 (12.2)	36 (11)	32 (9.7)	Std. Horizontal
*2	N/A	44 (13.4)	40 (12.2)	36 (11)	32 (9.7)	28 (8.5)	24 (7.3)	Alt. Horizontal
*2	52 (15.8)	48 (14.6)	44 (13.4)	40 (12.2)	36 (11)	32 (9.7)	28 (8.5)	Vertical
*2	N/A	52 (15.8)	48 (14.6)	44 (13.4)	40 (12.2)	36 (11)	32 (9.7)	Concentric
3	N/A	125 (38.1)	120 (36.6)	115 (35)	110 (33.5)	105 (32)	100 (30.5)	Std. Horizontal
3	N/A	115 (35)	110 (33.5)	105 (32)	100 (30.5)	95 (28.9)	90 (27.4)	Alt. Horizontal
3	130 (39.6)	120 (36.6)	115 (35)	110 (33.5)	105 (32)	100 (30.5)	95 (28.9)	Vertical
3	N/A	125 (38.1)	120 (36.6)	115 (35)	110 (33.5)	105 (32)	100 (30.5)	Concentric

Notes:

1. N/A - Not Applicable
2. The above maximum lengths are for the separate inlet and outlet pipe systems and not the combined length of both systems.
3. Maximum of 6 elbows may be used per pipe. Use only short or long sweep elbows. See figure 5 for details.
4. Two 45° elbows are considered equivalent to one 90° elbow.
5. Minimum length is 6 feet (1.8 m) per pipe with 1 elbow per side.
6. 2 Inch pipe may be used with 100,000, 130,000 & 150,000 BTU/HR (29.3, 38, & 43.9 kW) input models only.

* 3" pipe must be used for 175,000 BTU/Hr (51.29 kW) input and above.

Vent Termination Locations

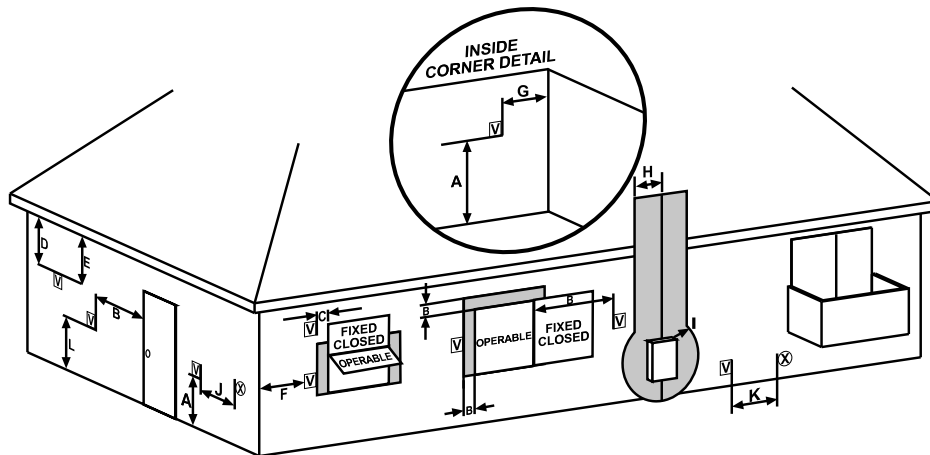
The air inlet and exhaust outlet must be installed with the following minimum clearances (see figure 6):

- Twelve inches (30 cm) above grade or maximum anticipated snow level.
- Twelve inches (30 cm) from any opening through which flue gases could enter the structure.
- Four feet (122 cm) horizontally and vertically from gas or electric meters, gas regulators, dryer vents, vent hoods, bathroom fan exhaust, attic fans and turbines.
- Two feet (61 cm) from an inside corner formed by two exterior walls.
- Two feet from porches, decks, overhangs and other obstructions.

In addition to maintaining the minimum clearances, the vent should terminate according to the following guidelines:

1. Use only 2 inch pipe or a 2 inch concentric vent on the vent termination for 100,000 - 150,000 BTU/Hr models. Do not expose any 3" X 2" reducers or bushings to outdoor ambient temperatures. CAN/CSA B149.1 Section 8.14.8:
2. When terminating a vent under a veranda, porch or deck, venting must be installed in accordance to all local and provincial codes or in the absence of local and provincial codes, please refer to the CAN/CSA B149.1.
3. A vent shall not terminate less than 7 ft. (2.1 m) above a paved sidewalk or paved driveway that is located on public property.
4. A vent shall not terminate in an area where children or animals could block pipes.
5. A vent shall not terminate in a location that is too close to shrubs or bushes.
6. Caulk all cracks, seams and joints within 6 feet (1.83 m) horizontally above and below the vent.
7. Combustion air inlet termination and exhaust air termination must be located in the same pressure zone.

Figure 6: Minimum Clearances for Inlet/Outlet and Concentric Vent



⊗ Air Supply Inlet ⊕ Vent Terminal ■ Area Where Terminal Is Not Permitted

US Installations

- A.** 12 in (30 cm) min. clearance above grade, veranda, porch, deck, balcony, or maximum anticipated snow level.
- B.** 12 in (30 cm) min. clearance on top and side of window or door that may be opened. Maintain a 36 in (91 cm) minimum clearance below a window or door that may be opened.
- C.** Clearance to permanently closed window.**
- D.** 12 in (30 cm) min vertical clearance to ventilated soffit located above the terminal within a horizontal distance of 2 ft (61 cm) from the center line of the terminal.
- E.** 12 in (30 cm) min. clearance to unventilated soffit.
- F.** Clearance to outside corner **
- G.** 2 ft (61 cm) clearance to inside corner formed by two exterior walls.
- H.** 4 ft (122 cm) clearance to each side of center line extending above meter/regulator assembly.
- I.** 4 ft (122 cm) clearance to service regulator vent outlet.
- J.** 12 in (30 cm) clearance to nonmechanical air supply inlet to building or the combustion air inlet to any other appliance.
- K.** 3 ft (91 cm) above if within 10 ft (3 m) horizontally of mechanical air supply inlet.

Canadian Installations

- A.** 12 in (30 cm) min. clearance above grade, veranda, porch, deck, balcony, or maximum anticipated snow level.
- B.** 12 in (30 cm) min. clearance on top and side of window or door that may be opened. Maintain a 36 in (91 cm) minimum clearance below a window or door that may be opened.
- C.** Clearance to permanently closed window.**
- D.** 12 in (30 cm) min vertical clearance to ventilated soffit located above the terminal within a horizontal distance of 2 ft (61 cm) from the center line of the terminal.
- E.** 12 in (30 cm) min. clearance to unventilated soffit.
- F.** Clearance to outside corner. **
- G.** 2 ft (61 cm) clearance to inside corner formed by two exterior walls.
- H.** 3 ft (91 cm) within a height 15 ft (4.57 m) above the meter/regulator assembly.
- I.** 4 ft (122 cm) clearance to service regulator vent outlet.
- J.** 12 in (30 cm) clearance to nonmechanical air supply inlet to building or the combustion air inlet to any other appliance.
- K.** 6 ft (1.83 m) clearance to mechanical air supply inlet.

**Clearance in accordance with local installation codes and the requirements of the gas supplier.

VERTICAL TERMINATIONS

When 3 inch pipe is used between the water heater and the roof, reduce it to 2 inch pipe before penetrating the roof. A maximum of 18 inches (45.7 cm) of 2 inch pipe may be used between the 3 inch transition and the inside of the roof.

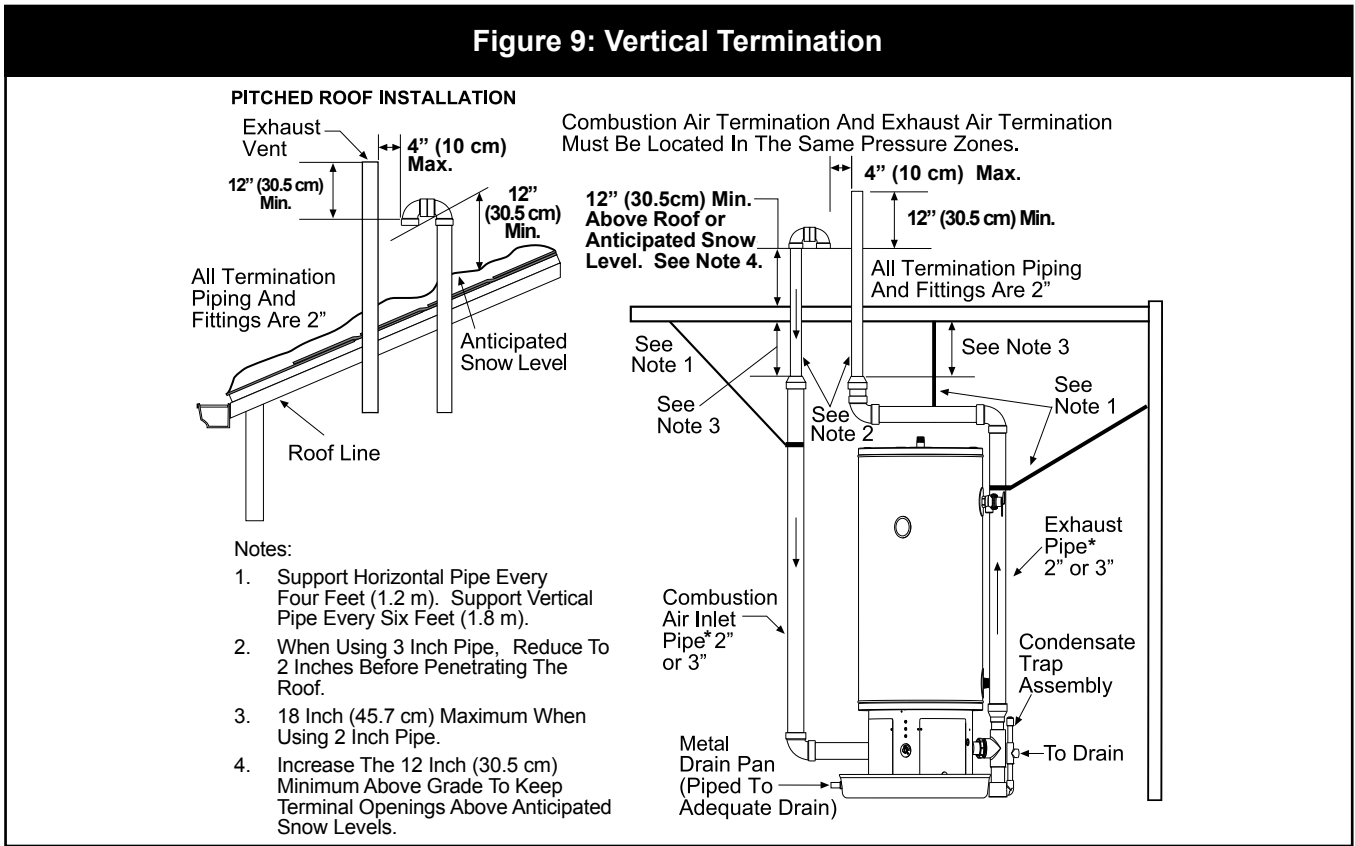
The vertical inlet air termination requires a return bend or two short or long sweep radius 90 elbows to keep the inlet downward and prevent entry of rain. These elbows are considered part of the termination and should not be included when calculating the maximum allowable vent pipe length. Refer to figure 9 for the proper location of the air inlet with respect to the exhaust outlet termination. The vertical exhaust outlet termination is a 2 inch (30.5 cm) pipe

which terminates at least 12 inches (30.5 cm) above the inlet air termination.

The air inlet and exhaust outlet terminations must be at least 12 inches (30.5 cm) above the roof line or anticipated snow levels. See figure 9 below.

Note: See "Venting Additional Polaris® Units" below if installing more than one Polaris® gas water heater.

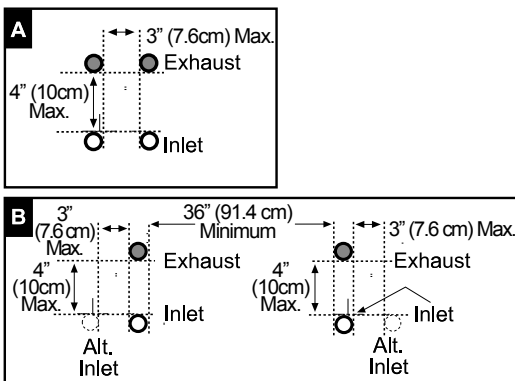
Figure 9: Vertical Termination



Venting Additional Polaris® Units

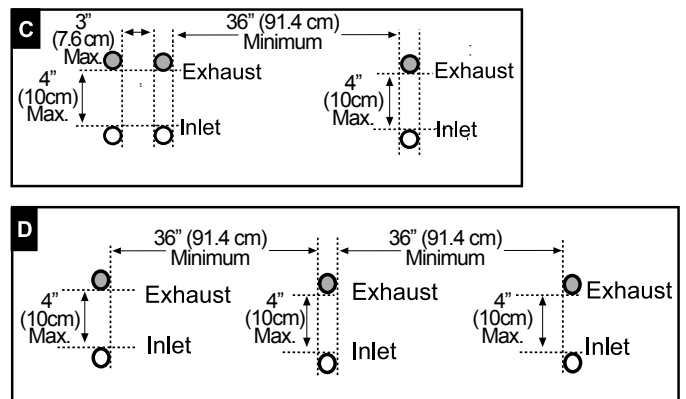
When using two (2) Polaris® units, install vent terminations using either Method A or Method B below:

Figure 9A, 9B



When using three or more Polaris® units, install vent terminations per Method C or Method D:

Figure 9C, 9D



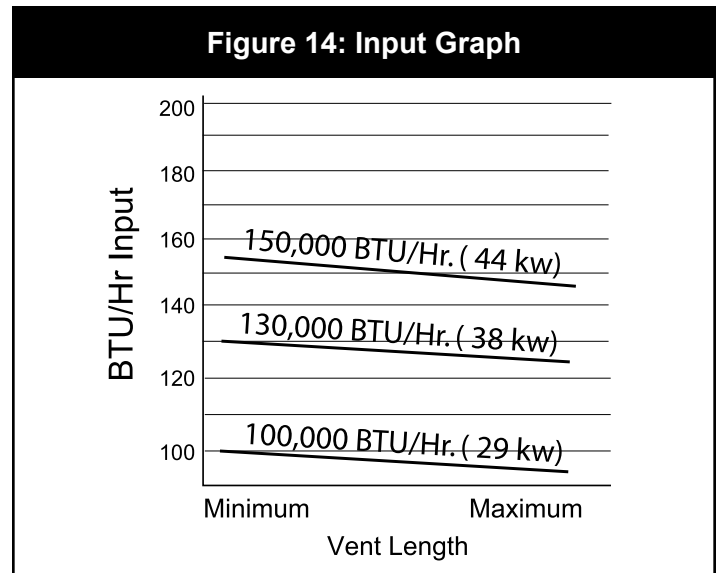
Gas Input Rate

The gas input rate of this water heater is affected by several environmental factors such as:

- The heating value of the gas
- The air and gas densities (which vary widely due to barometric pressure and temperature changes)
- Venting installations (pipe diameter, length and fittings)
- Altitude

When measuring the input rate these factors should be incorporated into the calculations. Also measure the gas consumption over a sufficiently long time to obtain an accurate gas consumption rate (e.g. 3-5 minutes, not one revolution of the meter needle).

Long vents and each additional elbow, inherently reduce the gas input rate due to increased resistance to moving combustion air and flue gases. The approximate maximum/minimum input for the 100k, 130k, and 150k models is shown in figure 14.



WATER PIPING SYSTEM

Piping Installation

Piping, fittings, and valves should be installed according to the installation drawing (figure 15). If the indoor installation area is subject to freezing temperatures, the water piping must be protected by insulation.

The water supply pressure should not exceed 80 psi (551.5 kPa). If this occurs, a pressure reducing valve with a bypass should be installed in the cold water inlet line. This should be placed on the supply to the entire house in order to maintain equal hot and cold water pressures.

Important: Heat cannot be applied to the water fittings on the heater as they may contain nonmetallic parts. If solder connections are used, solder the pipe to the adapter before attaching the adapter to the hot and cold water fittings.

Important: Do not install this water heater with iron or galvanized piping. Use brass caps on all unused inlet/outlet connections.

1. Install the water piping and fittings as shown in figure 15. Note: If state or local codes require, install a vacuum relief valve per the manufactures instructions in the cold water supply line. Connect the cold water supply (use 1" NPT) to the fitting marked "COLD INLET". Do not turn the cold water nipple. The mark should remain along the top side of the nipple. Connect the hot water supply (use 1" NPT) to the fitting marked "HOT OUTLET".
2. Always use a suitable grade of joint compound and be certain that all fittings are tightened properly.
3. The installation of unions in both the hot and cold water supply lines is recommended for ease of removing the water heater for service or replacement.
4. If installing the water heater in a closed water system, install an expansion tank in the cold water line as specified under "Closed System/Thermal Expansion" (Page 14).
5. Install a shut-off valve in the cold water inlet line. It should be located close to the water heater and be easily accessible. Know the location of this valve and how to shut off the water to the heater.

6. The Polaris® gas water heater is shipped with a factory-installed Temperature and Pressure Relief Valve. Install a discharge line in the opening in the T & P valve (see instructions on Page 16).
7. After piping has been properly connected to the water heater, remove the aerator at the nearest hot water faucet. Open the hot water faucet and allow the tank to completely fill with water. **(To prevent damage to the unit, DO NOT connect power until the tank is COMPLETELY FILLED).** To purge the lines of any excess air, keep the hot water faucet open for 3 minutes after a constant flow of water is obtained. Close the faucet and check all connections for leaks.

Corrosion and Water Quality

Water quality will vary from location to location and may contain contaminates that may reduce the life or performance of the water heater. To test for contaminates a water quality test kit is available, reference part number 6903791.

Contaminates which can reduce the life or performance of the water heater if present in high quantities include those which contribute to hardness (dissolved minerals such as sodium, calcium and magnesium); plus chlorides and sulfates. Additionally, water that is too acidic or basic (measured as pH) can reduce the life of the water heater. Water treatment systems (such as water softeners for hardness) should be used and maintained properly if the contaminate levels exceed the following:
Warranty is void in applications which exceed the water quality requirements listed below.

Total Hardness:	12 grains per gal. (205 mg/liter) max.
Chloride:	200 mg/liter max.
pH:	6.5-8.0
Alkalinity:	200 mg/liter max.

Figure 15: Typical One-Temperature System Piping Installation

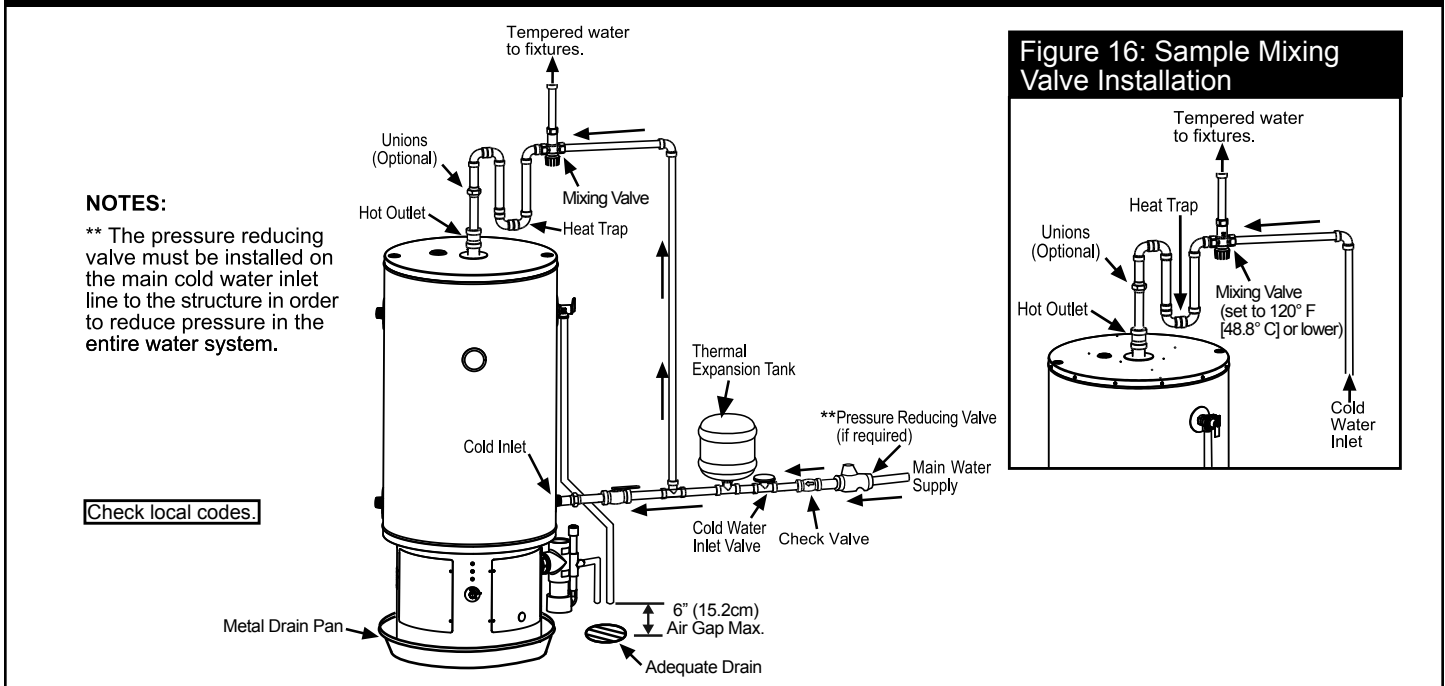
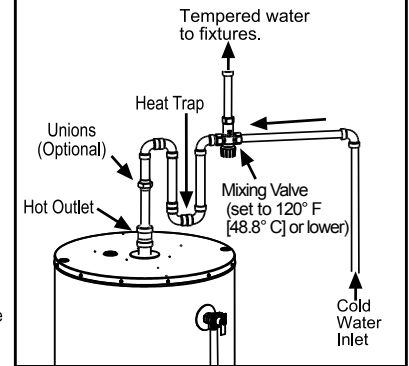


Figure 16: Sample Mixing Valve Installation



Mixing Valve Installation

A mixing valve has been provided for use with the Polaris® Gas water heater and must be installed, per the manufacturer's instructions, in the domestic hot water line. See Figure 16 for a sample tempering valve installation.

General Information

Water piping, fittings, and valves must be properly installed for the correct and safe operation of this water heater. Please note the following:

- The system should be installed only with piping that is suitable for potable (drinking) water such as copper, CPVC, or polybutylene. PVC water piping may be used on the cold water inlet supply but not within 18 inches (45.7 cm) of the cold water connection on the water heater.
- Do not use PVC piping on the hot water outlet, space heating supply, or space heating return.
- Do not use any pumps, valves, or fittings that are not compatible with potable water.
- Do not use valves that may cause excessive restriction to water flow. Use full flow ball or gate valves only.
- Do not use 50/50 tin-lead solder (or any lead based solder) in potable water lines. Use 95/5 solder or other equivalent material.
- Do not tamper with the thermostat, gas valve, blower, electrical components, or temperature and pressure relief valve. Tampering with any of the components is dangerous and can result in death, severe injury, or property damage. Tampering voids all warranties. Only qualified technicians should service these components.
- Do not use this water heater as a replacement for an existing boiler installation.
- Do not use with piping that has been treated with chromates, boiler seal, or other chemicals.
- Do not add any chemicals to the system piping which will contaminate the potable water supply.

Closed System/Thermal Expansion

As water is heated, it expands (thermal expansion). In a closed system, the volume of water will increase. As the volume of water increases, there will be a corresponding increase in water pressure due to thermal expansion. Thermal expansion can cause premature tank failure (leakage). This type of failure is not covered under the limited warranty. Thermal expansion can also cause intermittent temperature-pressure relief valve operation; water discharged from the valve due to excessive pressure build up. The temperature-pressure relief valve is not intended for the constant relief of thermal expansion. This condition is not covered under the limited warranty.

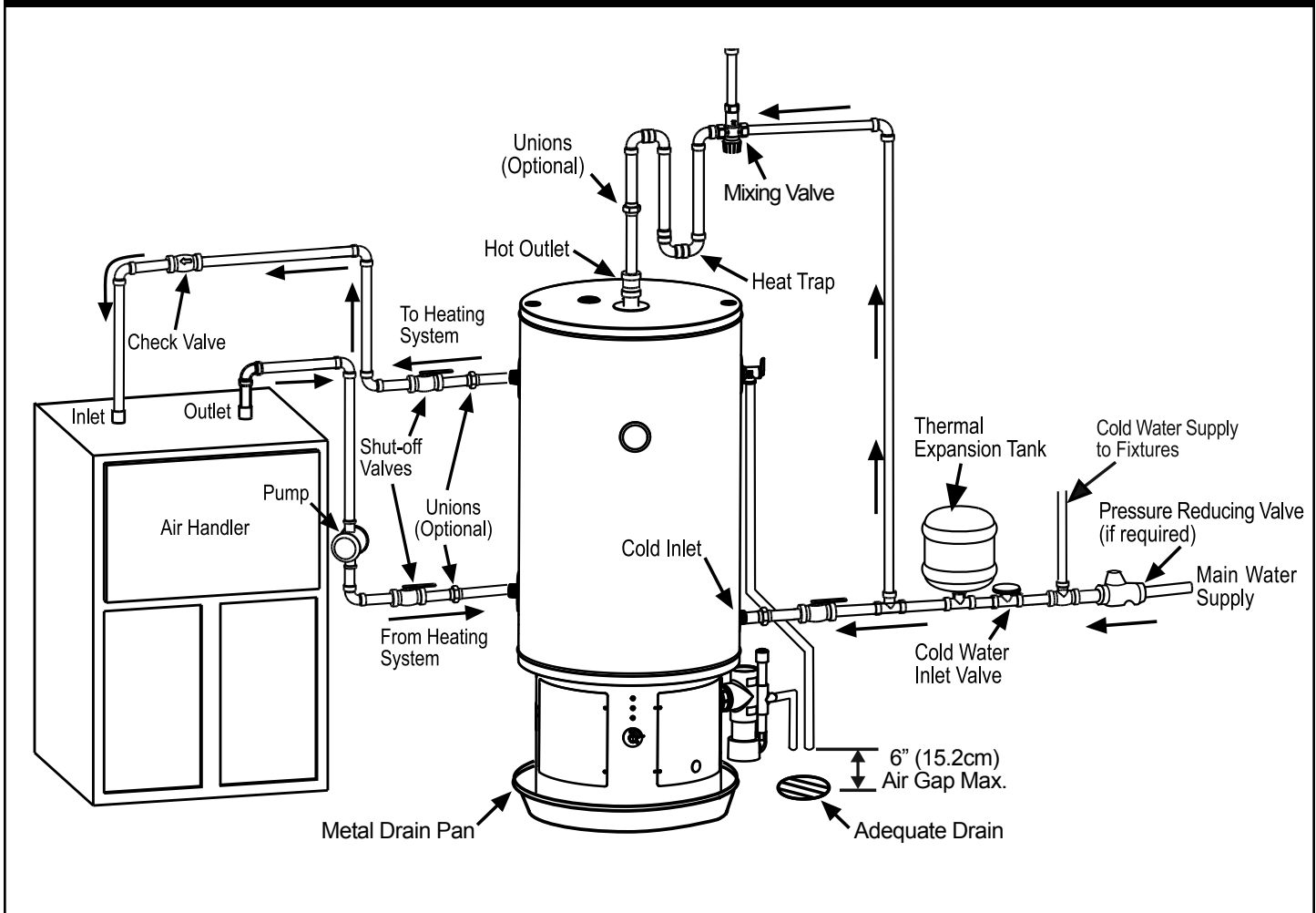
A properly-sized thermal expansion tank should be installed on all closed systems to control the harmful effects of thermal expansion. Contact a plumbing service agency or your retail supplier regarding the installation of a thermal expansion tank. **The manufacturer of this water heater will void the warranty if there is a failure to install a properly sized expansion tank.**

Combination Space Heating/Potable Water System

Some water heater models are equipped with inlet/outlet connections for use in space heating applications. **Note:** this water heater, "Suitable for combination water (potable) heating and space heating and not suitable for space heating applications only." If this water heater is to be used to supply both space heating and potable (drinking) water, the instructions listed below must be followed (see figure 17).

- Be sure to follow the manual(s) shipped with the air handler or other type heating system.
- This water heater is not to be used as a replacement for an existing boiler installation.

Figure 17: Air Handler Piping Installation



- Do not use with piping that has been treated with chromates, boiler seal or other chemicals and do not add any chemicals to the water heater piping.
- If the space heating system requires water temperatures in excess of 120°F (48.9°C), a mixing valve (provided) must be installed per the manufacturer's instructions in the potable hot water supply to limit the risk of scald injury.
- Pumps, valves, piping and fittings must be compatible with potable water.
- A properly installed flow control valve is required to prevent thermosiphoning. Thermosiphoning is the result of a continuous flow of water through the air handler circuit during the off cycle. Weeping (blow off) of the temperature and pressure relief valve (T & P) or higher than normal water temperatures are the first signs of thermosiphoning.
- The hot water line from the water heater should be vertical past any mixing valve or supply line to the heating system to remove air bubbles from the system.
- Do not connect the water heater to any system or components previously used with non-potable water heating appliances when used to supply potable water.

Storage Tank Installation

When installing the Polaris® with a storage tank, see figure 18 for piping suggestions.

Solar Installation

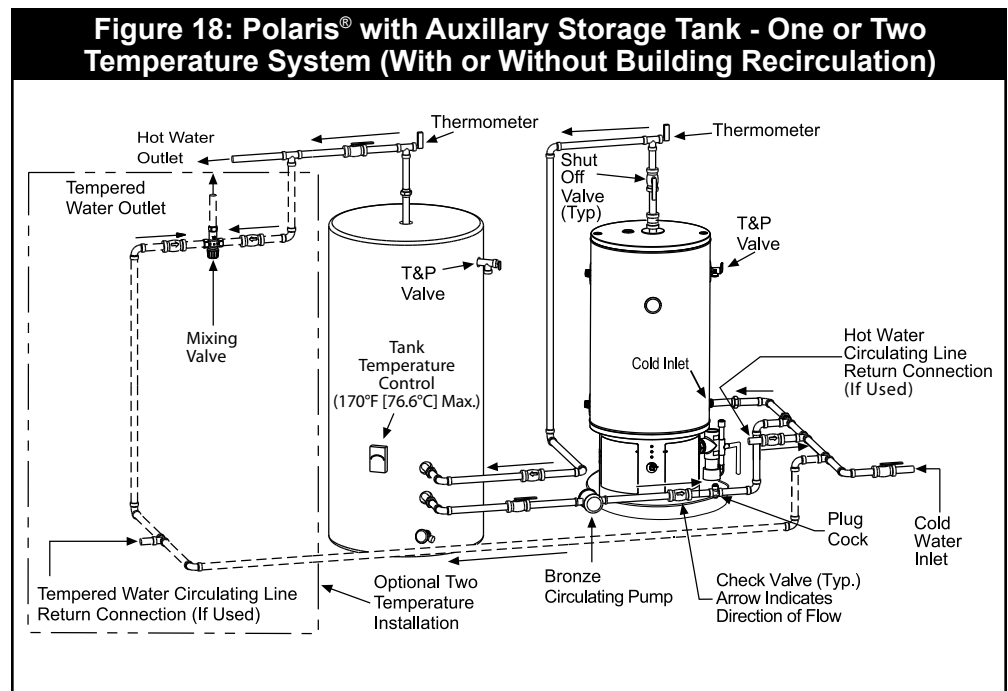
If this water heater is used as a solar storage heater or as a backup for the solar system, the water supply temperatures to the water heater tank may be in excess of 120°F (48.9°C). A mixing valve must be installed in the water supply line to limit the supply temperature to 120°F (48.9°C).

Note: Solar water heating systems can often supply water with temperatures exceeding 180°F (82.2°C) and may result in water heater malfunction.

Notes on Figure 18:

If tank temperature is set above 120°F (48.9°C) and water is supplied for domestic use (hand washing, showering, etc.) a mixing valve must be installed in the hot water line to domestic fixtures.

Installation must conform to local code requirements. If a check valve is installed in the cold water supply line, an expansion tank must be installed between the check valve and the water heater's cold water inlet. Set storage tank temperature five degrees lower than the water heater's temperature setting. Using the plug valve in the recirculating line, adjust the flow in the recirculating line to five gallons per minute.



Temperature and Pressure Relief Valve

⚠ WARNING



Explosion Hazard

- **Temperature-pressure relief valve must comply with ANSI Z21.22-CSA 4.4 and ASME code.**
- **A properly-sized temperature-pressure relief valve must be installed in the opening provided.**
- **Do not plug, block, or cap the discharge line.**
- **Failure to follow this warning can result in excessive tank pressure, serious injury or death.**

For protection against excessive pressures and temperatures, a temperature and pressure relief valve must be installed in the opening marked "T & P RELIEF VALVE". This valve must be design certified by a nationally recognized testing laboratory that maintains periodic inspection of the production of listed equipment or materials as meeting the requirements for Relief Valves and Automatic Shut-

off Devices for Hot Water Supply Systems, ANSI Z21.22. The function of the temperature and pressure relief valve is to discharge water in large quantities in the event of excessive temperature or pressure developing in the water heater. The valve's relief pressure must not exceed the working pressure of the water heater as stated on the data plate.

Important: Only a new temperature and pressure relief valve should be used with this water heater. Do not use an old or existing valve as it may be damaged or not adequate for the working pressure of the new water heater. Do not place any valve or piping between the relief valve and the tank.

The Temperature & Pressure Relief Valve:

- Must not be in contact with any electrical part.
- Must be connected to an adequate discharge line.
- Must not be rated higher than the working pressure shown on the data plate of the water heater.
- The BTUH rating of the T & P valve must be greater than, or equal to, the input rating of the water heater

The Discharge Line:

- Must not be smaller than the pipe size of the relief valve or have any reducing coupling installed in the discharge line.
- Must not be capped, blocked, plugged or contain any valve between the relief valve and the end of the discharge line.
- Must terminate a maximum of 6 inches (15.2 cm) above a floor drain or external to the building.
- Must be capable of withstanding 250°F (121°C) without distortion.
- Must be installed to allow complete drainage of both the valve and discharge line.

GAS SUPPLY AND PIPING

⚠️ WARNING



Explosion Hazard

Use a new AGA or CSA approved gas supply line.

Install a shut-off valve.

Do not connect a natural gas water heater to a L.P. Gas Supply.

Do not connect an L.P. gas water heater to a Natural Gas Supply.

Failure to follow these instructions can result in death, explosion, or carbon monoxide poisoning.

Gas Requirements

Read the data plate to be sure the water heater is made for the type of gas being used. This information will be found on the data plate located on the front of the water heater. If the information does not agree with the type of gas available, do not install or operate the water heater. Call your dealer.

Note: An odorant may be added by the gas supplier to the gas used by this water heater. This odorant may fade over an extended period of time. Do not depend upon this odorant as an indication of leaking gas.

Gas Piping

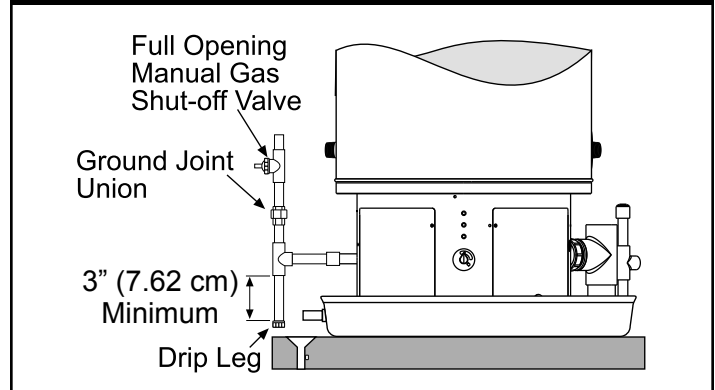
The gas piping must be installed according to all local and state codes or in absence of local and state codes with the "National Fuel Gas Code", ANSI Z223.1 (NFPA 54)-current edition. Canadian installations must be performed in accordance with CAN/CSA-B149.1-current edition.

Note: If using a flexible gas connector, make sure its rating tag matches or exceeds the input of the water heater.

Follow the instructions below and reference figure 19 for gas piping installation.

1. Install a readily accessible manual shut-off valve in the gas supply line as recommended by the local utility. Know the location of this valve and how to turn off the gas to this unit.
2. Install a drip leg as shown. The drip leg must be no less than 3 inches (7.62 cm) long for the accumulation of dirt, foreign material and water droplets.
3. Install a ground joint union between the water heater and the manual shut-off valve. This is to allow easy servicing.
4. Turn the gas supply on and check for leaks. Use a chloride-free soap and water solution (bubbles forming indicate a leak) or other approved method.

Figure 19: Gas Piping Installation



Gas Pressure

Important: The gas supply pressure must not exceed the maximum supply pressure as stated on the water heater's data plate. Minimum supply pressure should also be maintained per the data plate.

Gas Pressure Testing

Important: This water heater and its gas connection must be leak tested before placing the appliance in operation.

- If the code requires the gas lines to be tested **at** a pressure of 14" W.C. (3.486 kPa) or greater, the water heater and its manual shut-off valve must be **disconnected** from the gas supply piping system and the line capped.
- If the gas lines are to be tested at a pressure **less than** 14" W.C. (3.486 kPa), the water heater must be **isolated** from the gas supply piping system by closing its manual shut-off valve.

Nationally listed/recognized fuel gas and carbon monoxide(CO) detectors are recommended in all applications and should be installed using the manufacturer's instructions and local codes, rules, or regulations.

Note: Air may be present in the gas lines and could prevent the burner from lighting on initial start-up. The gas lines should be purged of air by a qualified service technician after installation of the gas piping system.

⚠ WARNING



Explosion Hazard

Have a qualified person make sure that the L.P. gas operating pressure does not exceed 13" water column (3.237 kPa).

Examples of a qualified person include licensed heating personnel, authorized gas company personnel, and authorized service personnel.

Failure to do so can result in death, explosion, or fire.

ELECTRICAL CONNECTIONS

⚠ WARNING



Electrical Shock Hazard
Disconnect power before servicing.
Replace all parts and panels before operating.
Failure to do so can result in death or electrical shock.

If you lack the necessary skills required to properly install the electrical wiring to this water heater, do not proceed but have a qualified electrician perform the installation.

When making the electrical connections, always make sure:

- The voltage and frequency correspond to that specified on the water heater data plate on the front of the water heater.
- The electrical supply has the proper overload fuse or breaker protection. The heater draws less than 7 amps.
- Wire sizes and connections comply with all applicable codes.
- Wiring enclosed in approved conduit (if required by local codes).
- The water heater and electrical supply are properly grounded.
- This water heater must be "hard-wired" - do not use an extension cord to supply electrical power to this water heater.

Note:

The wiring diagram can be found on Page 20. Always reference the wiring diagram(s) for the correct electrical connections.

When installing the electrical wiring to the water heater:

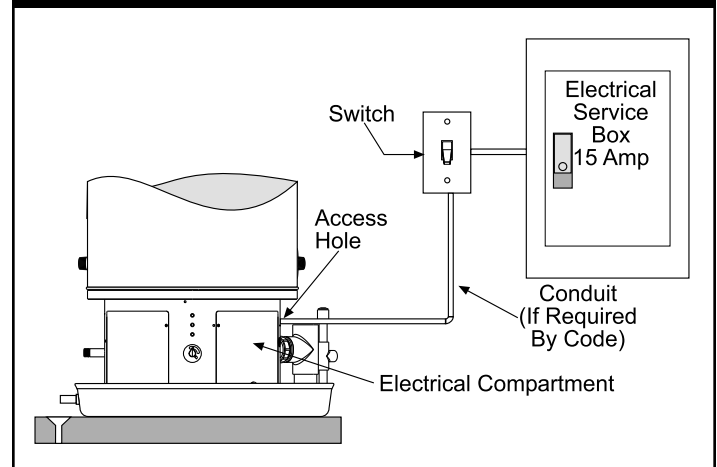
1. Shut off the power at the electrical service box.
2. Loosen the screws securing the access panel to the electrical compartment. (The electrical wiring diagram, models can be found on the inside of the access panel at the base of the water heater.) Set the access panel aside.
3. Connect the electrical supply to the water heater in accordance with local utility requirements and codes. Use only a dedicated electrical circuit containing a properly sized fuse or circuit breaker. Maximum overload protection should not exceed 15 amperes.

4. Connect this circuit (directly from the electrical service box) to an electrical disconnect switch.
5. Ground the water heater by connecting the electrical service ground wire to the green ground wire (provided).

Note: The power supply to this water heater must be properly polarized, [120 volts from the hot lead (black) to ground and 0 volts from the neutral lead (white) to ground] otherwise, the unit will not operate.

6. After making all electrical connections, completely fill the tank with water and check all connections for leaks. Open the nearest hot water faucet and let it run for 3 minutes to purge the water lines of air and sediment and to ensure complete filling of the tank. The electrical power may then be turned on. See figure 20 for completed installation.

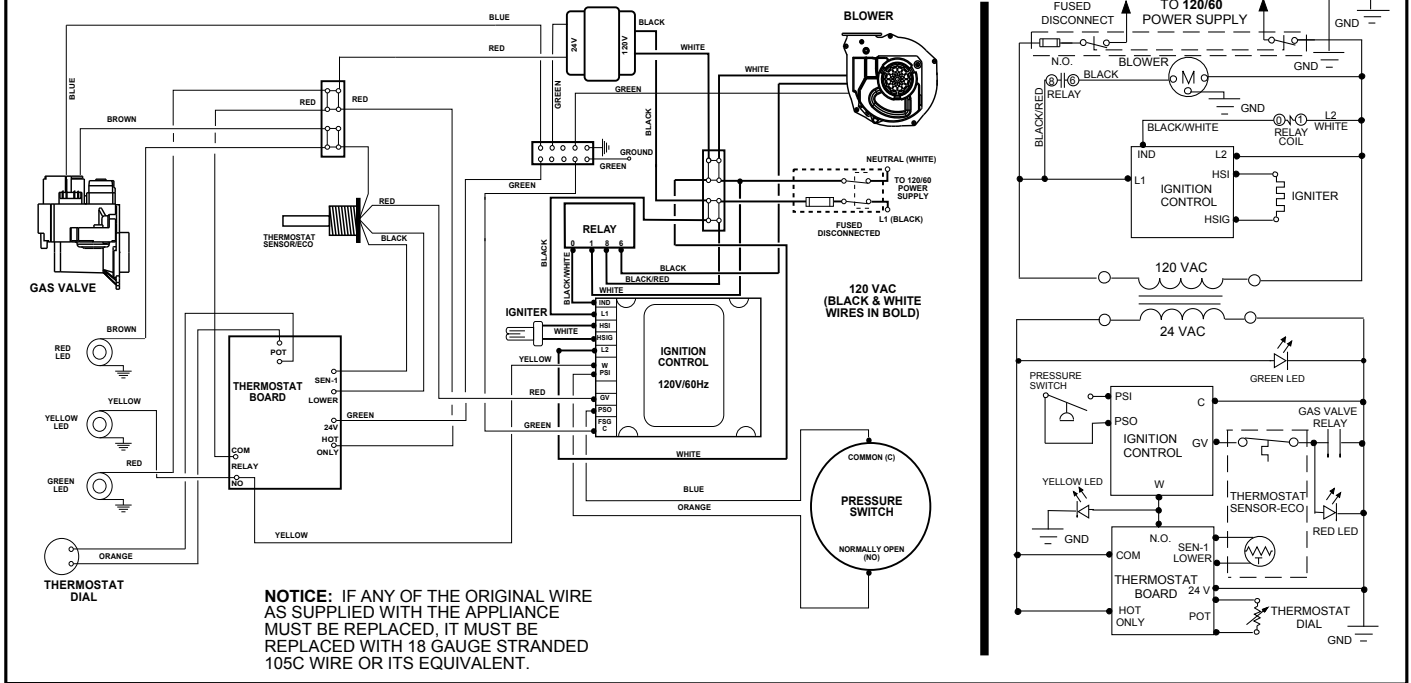
Figure 20: Electrical Connections



WIRING DIAGRAM

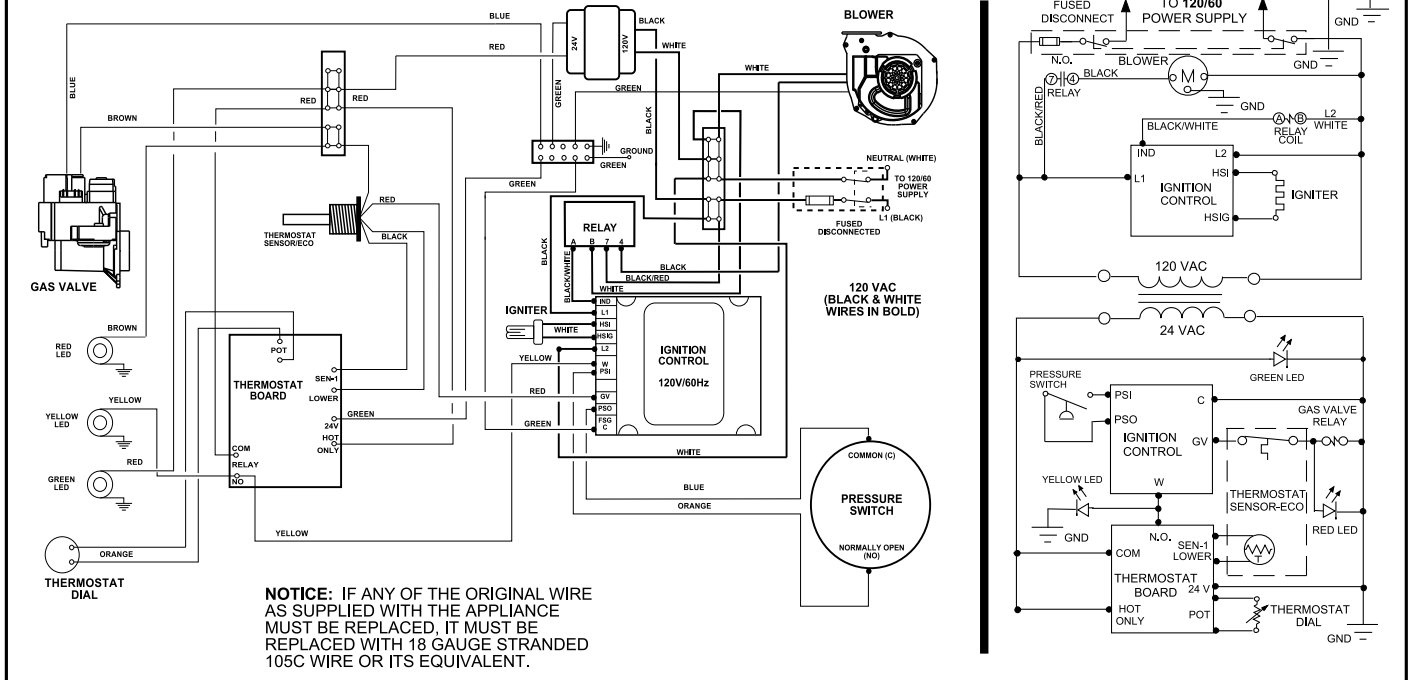
HEATER SUPPLIED WITH T92 SERIES RELAY

Figure 20A



HEATER SUPPLIED WITH KUHP SERIES RELAY

Figure 20B



INSTALLATION CHECKLIST

Water Heater Location Requirements

- Centrally located with the water piping system. Located as close to the gas piping and vent pipe system as possible.
- Located indoors and in a vertical position. Protected from freezing temperatures.
- Proper clearances from combustible surfaces maintained and not installed directly on a carpeted floor. Sufficient room to service the water heater.
- Provisions made to protect the area from water damage. Properly sized metal drain pan installed and piped to an adequate drain.
- Installation area free of corrosive elements and flammable materials.

Condensate Line

- Drain stem is fully inserted in the elbow and glued properly.
- Trap aligned so that the exhaust pipe is in a vertical position close to the surface of the water heater.
- Line properly sloped to adequate drain or approved condensate pump.
- Properly vented.
- Protected from freezing (if required).

Vent Pipe System

- Vent pipe and fittings of approved material.
- Acceptable size, length, and number of elbows on air inlet pipe.
- Acceptable size, length, and number of elbows on exhaust outlet pipe.
- Add the air inlet filter per the manufacturer's instruction.
- Installed in accordance with prevailing provisions of Local codes, or in the absence of such, National Fuel Gas Code, NFPA 54, ANSI Z223.1-Current Edition. Canadian Installations must be performed in accordance with CAN/CSA-B149.1-Current Edition.
- All 2" horizontal piping sloped down toward the water heater at 1/4" per foot (21 mm per meter). 3" piping sloped down towards the heater at 1/8" per foot (10.5 mm per meter).
- Not obstructed in any way.

Vent Termination

Horizontal

- Correct relationship - outlet to inlet.
- 12" Min. (30.5 cm) above grade/snow level.
- 2" exhaust outlet/air inlet pipe sloped down towards water heater at 1/4" per foot (21 mm per meter). 3" piping sloped down towards the heater at 1/8" per foot (10.5 mm per meter).
- Away from corners, other vents, windows, etc.

Alternate Horizontal

- Correct relationship - outlet to inlet.
- 12" Min. (30.5 cm) above anticipated snow level.
- 2" exhaust outlet/air inlet pipe sloped down towards water heater at 1/4" per foot (21 mm per meter). 3" piping sloped down towards the heater at 1/8" per foot (10.5 mm per meter).
- Away from corners, other vents, windows, etc.

Vertical

- Inlet - 12" Min. (30.5 cm) above roof/snow level.
- Correct relationship - outlet to inlet.
- Away from corners, other vents, windows, etc.

Concentric

- 12" Min. (30.5 cm) above grade/snow level.
- 2" exhaust outlet/air inlet pipe sloped down towards water heater at 1/4" per foot (21 mm per meter). 3" piping sloped down towards the heater at 1/8" per foot (10.5 mm per meter).
- Away from corners, other vents, windows, etc.

Water System Piping

- Temperature and pressure relief valve properly installed with a discharge line run to an open drain and protected from freezing.
- All piping properly installed and free of leaks.
- Heater completely filled with water.
- A properly sized expansion tank must be installed on all closed systems.
- A mixing valve must be installed per the manufacturer's instructions.

Gas Supply and Piping

- If using a flexible gas connector, make sure its rating tag matches or exceeds the input of the water heater.
- Adequate pipe size and of approved material.
- Gas supply is the same type as listed on the water heater data plate.
- Gas line equipped with full opening shut-off valve, union and drip leg.
- Approved pipe joint compound used.
- Chloride-free soap and water solution or other approved means used to check all connections and fittings for possible gas leaks.

Electrical Connections

- Unit connected to a dedicated power supply.
- Unit connected to a 120V electrical supply.
- Proper polarity.
- Water heater properly grounded.
- Installed in accordance with prevailing provisions of local codes, or in the absence of such, National Fuel Gas Code, NFPA 54, ANSI Z223.1-Current Edition. Canadian installations must be performed in accordance with CAN/CSA-B149.1-Current Edition.

OPERATING YOUR WATER HEATER

Read and understand these directions thoroughly before attempting to operate the water heater (see Operating Instructions on Page 23). Check the data plate on the front of the water heater for the correct gas. Do not use this water heater with any gas other than the one listed on the data plate. If you have any questions or doubts, consult your gas supplier or gas utility company.

L.P. (Propane) Models

Propane gas is heavier than air and in the occurrence of a leak in the system, the gas will settle on the floor level. Basements, crawl spaces, skirted areas under mobile homes (even when ventilated), closets and areas below ground level will serve as pockets for the accumulation of gas. Before lighting a propane gas water heater, smell all around the appliance at floor level. If you smell gas, follow the instructions as given in the warning on the front page.

When your propane tank runs out of fuel, turn off the gas at all gas appliances including pilot lights. After the tank is refilled, all appliances must be re-lit according to their manufacturer's instructions.

Water Heater Operation

This water heater does not have a pilot light. It is equipped with an electronic ignition that automatically lights the burner. There are three lights to indicate the various stages of operation; **Green** = Electrical power is on, **Yellow** = Thermostat is calling for heat, which signals the beginning of the ignition sequence (see figure 21), and **Red** = Ignition control is signaling the gas valve to open.

When the thermostat calls for heat, the blower will run for 6 seconds to purge the system of any accumulated gas or air. The hot surface igniter will heat up for 35 seconds. The blower will turn on and the gas valve open, forcing the air and gas mixture across the hot surface igniter, causing the burner to light. The hot surface igniter will turn off and act as an electronic flame sensor to determine if burner ignition has been accomplished. If it detects any loss of flame, it will shut off the gas supply to the burner.

The ignition control will try to light the burner three times. If the ignition control does not detect a flame after three tries, it will temporarily lock out, but then auto restart and go through three additional tries for ignition after 60 minutes. It will repeat until ignition occurs or the system locks out requiring service. Refer to Troubleshooting Guide on Page 26.

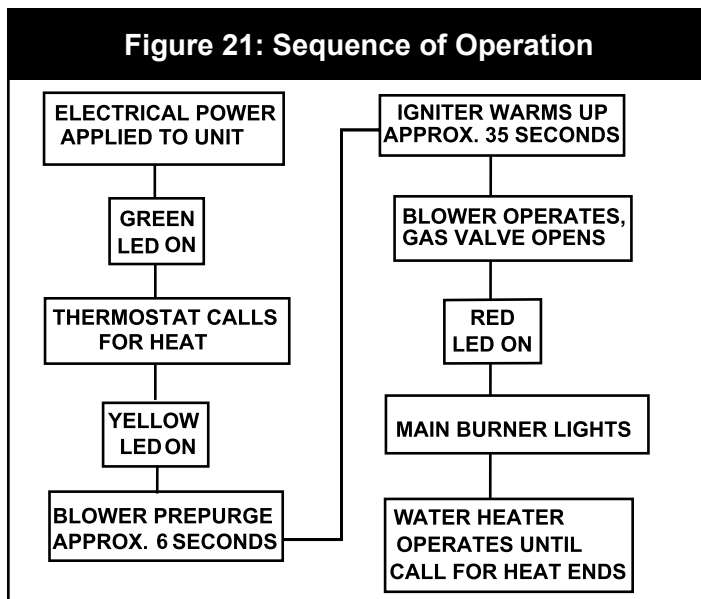
Thermostat Sensor

The sensor is a 10K ohm [at 77°F (25°C)] thermistor. Read resistance through the black wires that run to the sensor. Remove wires from circuit board before checking. An open or short circuit indicates sensor failure. Check reading against the values listed in Table 3. The resistance should correspond with the temperature in the tank:

Table 3:

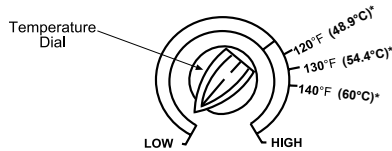
Temperature		Resistance
60°F	16°C	15,300 ohms
80°F	27°C	9,300 ohms
100°F	38°C	5,800 ohms
120°F	49°C	3,800 ohms
140°F	60°C	2,500 ohms
160°F	71°C	1,700 ohms
185°F	85°C	1,100 ohms

Figure 21: Sequence of Operation



OPERATING INSTRUCTIONS

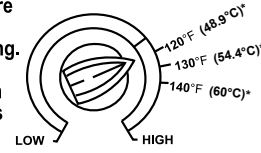
1. Turn temperature dial counterclockwise ↺ to the lowest setting.
2. Turn off electrical power to the appliance.



3. This appliance is equipped with an ignition device which automatically lights the burner. Do not try to light the burner by hand.
4. To clear any gas that may have accumulated, wait ten (10) minutes. If you smell gas, STOP! Refer to the safety warning on the front cover of this manual. If you do not smell gas, go to the next step.

5. Turn on the electricity to the water heater. The green power light will glow.

6. Turn the temperature dial clockwise ↻ to the desired setting. The yellow ignitor light will glow when the thermostat calls for heat. After 35 seconds, the burner will fire and the red burner light will glow.
7. If the appliance will not operate after three automatic tries, follow these instructions once more. If the appliance still refuses to light, follow the instructions "To Turn Off Appliance" and call your service technician or gas supplier.



** Temperatures shown are approximates and may vary.*

TO TURN OFF GAS TO APPLIANCE

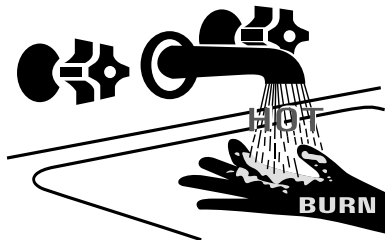
1. Turn the temperature dial counterclockwise ↺ to the lowest setting.
2. Turn off electric power to appliance if service is to be performed.
3. Close the manual gas shut-off valve in the gas supply line near the water heater.

Stacking

Stacking occurs when a series of short draws of hot water (3 gallons [11.3 liters] or less) are taken from the water heater tank. This causes increased cycling of the burner and can result in increased water temperatures at the hot water outlet. A mixing valve must be installed in the hot water supply line to reduce the risk of scald injury.

Water Temperature Regulation

! WARNING



Water temperature over 125°F (51.6°C) can cause severe burns instantly or death from scalds.

Children, disabled and elderly are at highest risk of being scalded.

See instruction manual before setting temperature at water heater.

Feel water before bathing or showering.

Temperature limiting valves are available.

The thermostat is adjusted to its lowest temperature setting when it is shipped from the factory. Water temperature can be regulated by moving the temperature dial to the preferred setting. The preferred starting point is 130°F (54.4°C); however, in some instances, setting the water heater higher than 130°F (54.4°C) can reduce the

occurrence of igniter failure due to excessive condensate.

Important: A mixing valve (provided) must be installed in the hot water outlet to reduce the risk of scald injury when setting the thermostat in excess of 120°F (48.9°C).

Many home heating systems used with this water heater are designed for temperatures higher than 130°F (54.4°C). Refer to the manufacturer's instruction manuals supplied with this type of equipment for recommended temperature settings.

Important: Adjusting the thermostat past the 120°F (48.9°C) setting on the temperature dial (see figure 22) will increase the risk of scald injury. Hot water can produce first degree burns within:

**Figure 22:
Temperature Dial**

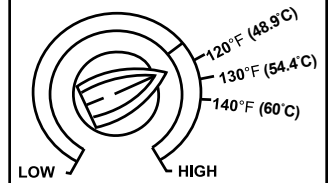


Table 4 Water Temperature °F (°C)	Time for 1st Degree Burn (Less Severe Burns)	Time for Permanent Burns 2nd & 3rd Degree (Most Severe Burns)
110 (43.3)	(normal shower temp.)	
116 (46.7)	(pain threshold)	
116 (46.7)	35 minutes	45 minutes
122 (50)	1 minute	5 minutes
131 (55)	5 seconds	25 seconds
140 (60)	2 seconds	5 seconds
149 (65)	1 second	2 seconds
154 (67.8)	instantaneous	1 second

(U.S. Government Memorandum, C.P.S.C., Peter L. Armstrong, Sept. 15, 1978)

Emergency Shut Down

Important: If overheating occurs or the gas supply fails to shut off, close the manual gas supply valve. Turn off the electrical supply to the unit and close the cold water supply valve. Do not operate the water heater again until it has been thoroughly checked by an authorized service technician.

OPERATIONAL CONDITIONS

Water Heater Sounds

During the normal operation of the water heater, sounds or noises may be heard. These noises are common and may result from the following:

1. Normal expansion and contraction of metal parts during periods of heat-up and cool-down.
2. Sediment buildup in the tank bottom will create varying amounts of noise and may cause premature tank failure. Drain and flush the tank as directed under "Draining and Flushing".

Safety Shut-Off (Pressure Switch)

This water heater is equipped with a pressure switch that protects the unit by shutting it down in the event that:

- A blockage occurs in the combustion air inlet, the flue gas exhaust outlet, or both the inlet and outlet.
- The condensate line freezes and the condensate "backs up" and fills the exhaust outlet.
- The blower fails to operate, or operates improperly.
- The unit begins to operate at an abnormally low input level.

Energy Cut-Off (ECO)

A high temperature limit switch, or ECO, is used to shut down the water heater if the water temperature exceeds 203°F (95°C). The ECO will automatically reset when the temperature cools sufficiently. If the ECO shuts down the heater repetitively, contact a qualified professional for service.

MAINTENANCE

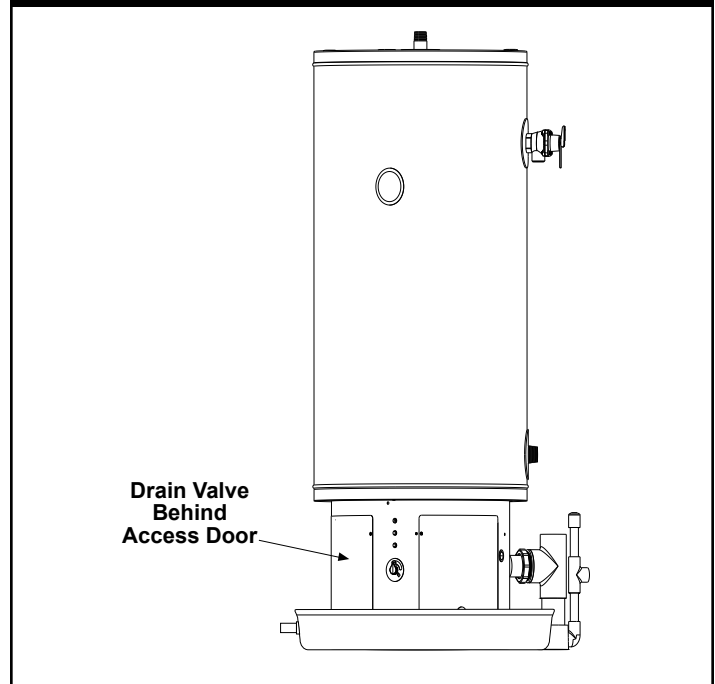
Draining and Flushing

It is recommended that the tank be drained and flushed every 6 months to remove sediment which may buildup during operation. The water heater should be drained if being shut down during freezing temperatures.

To drain the tank, perform the following steps:

1. Turn off the gas supply at the Manual Gas Shut-off Valve. Turn off the electrical supply to the water heater.
2. Open a nearby hot water faucet and run until the water is no longer hot.
3. Close the cold water inlet valve.
4. Open the left-hand access panel at the bottom of the heater (see figure 23). Connect a hose to the drain valve and terminate it to an adequate drain or external to the building.
5. Open the water heater drain valve and allow all of the water to drain from the tank.
6. Flush tank to remove sediment.
7. Close the drain valve, replace access door, **refill the tank**, and restart the heater as directed under "Operating Your Water Heater".

Figure 23: Drain Valve Access

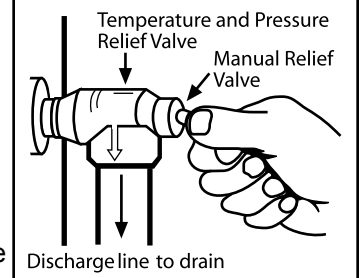


IMPORTANT: Condensation may occur when refilling the tank and should not be confused with a tank leak.

Temperature and Pressure Relief Valve

Manually operate the temperature and pressure relief valve at least once a year to make sure it is working properly. To prevent water damage, the valve must be properly connected to a discharge line which terminates at an adequate drain. Standing clear of the outlet (discharged water may be hot), slowly lift and release the lever handle on the temperature and pressure relief valve to allow the valve to operate freely and return to its closed position (see figure 24). If the valve fails to completely reset and continues to release water, immediately shut off the manual gas valve and the cold water inlet valve, and call a qualified service technician.

Figure 24



MAINTENANCE OF YOUR WATER HEATER

3 Month Inspection

At least every 3 months, a visual inspection should be made of the combustion air inlet as well as the exhaust and water piping. Check the water heater for the following:

- Obstructions, damage, or deterioration in the venting system. Make sure the exhaust and combustion air supplies are not obstructed.
- Leaking or damaged water and gas piping.
- Presence of flammable or corrosive materials in the installation area.
- Presence of combustible materials near the water heater.

Important: Verify proper operation after servicing this water heater.

Gas Valve

The gas valve on this water heater has been permanently set at the factory for proper operation. No field adjustments are needed and none should be performed.

Removing the Gas Valve

Removal and replacement of the gas regulator valve involves the disconnection of gas piping and electrical leads. This procedure must be performed by a qualified service technician.

Important: When removing the gas valve, do not use a pipe wrench or vise to grip the body. Do not apply any force to the gas valve or the cast flange fitting on the inlet side of the gas valve (see figure 25.) Such force may break or crack these components.

1. Turn temperature dial counterclockwise to the lowest setting and turn off electrical power to appliance.
2. Shut off the gas at the manual shut-off valve on the gas supply line. See figure 19 for reference. Remove the access door.
3. Disconnect the gas piping connection just outside the base of the water heater. Note: Use a second pipe wrench on the gas piping inside the skirt to avoid cracking the gas valve or the flange fitting.
4. Remove the pressure tap from the gas valve (see figure 25). The hose should not be disconnected.
5. Remove the Phillips head screw holding the electrical plug and remove electrical plug from the gas valve.
6. Remove the three T-25 Torx head brass screws that attach the gas valve to the venturi manifold, using the T-25 Torx wrench supplied with the gas valve kit (model VK8115V, part number 6903775.)
7. Remove the gas valve from the unit keeping the rubber gasket with the gas valve.
8. Remove the flange from the gas inlet side of the valve by removing the four (4) attachment screws.

Replacing the Gas Valve

Important: The rubber gasket that seals the gas valve to the venturi manifold must be used (previous gaskets may be reused, if in good condition). Make sure the gasket is properly inserted into the recess on the gas valve prior to installation (see figure 25 for exact placement of the rubber gasket).

1. Remove the O-ring from the flange (removed from the old gas valve) and replace it with the one provided in the gas valve kit (model VK8115V, part number 6903775.)
2. Reattach the elbow flange to the gas valve. Tighten all four screws securely.
3. Place the three T-25 Torx screws through the proper holes in the venturi manifold flange. See figure 25.
4. Properly install a new rubber gasket (provided) as shown in figure 25.
5. Position the gas valve and start all three screws (projecting downward from the venturi manifold) into the gas valve. A T-25 Torx wrench has been provided in the gas valve replacement kit (model VK8115V, part number 6903775.)

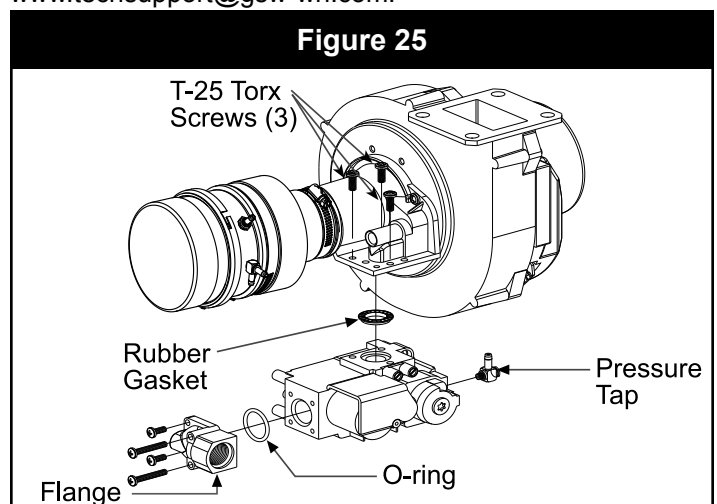
Note: All three T-25 Torx screws must be properly tightened to secure the seal between the gas valve and the venturi manifold.

6. Reconnect the pressure tap to the port on the new gas valve (see figure 25).
7. Reconnect the external gas supply line to the gas piping on the gas valve. Be sure to use approved Teflon tape or pipe joint compound suitable for gas piping.
8. Reconnect the electrical plug to the gas valve and secure it with the screw provided.
9. Turn gas supply on and check for leaks. Use a chloride-free soap and water solution (bubbles forming indicate a leak) or other approved method. All leaks must be fixed immediately.

Note: Use a second pipe wrench on the gas piping inside the skirt to avoid cracking the gas valve or the cast fitting.

10. Be sure tank is completely filled with water before restoring power to the water heater. Follow operating instructions on Page 23.
11. Ensure proper operation of the water heater, then reinstall the access door.

If additional information is required, contact the Product Service and Support Group through our website: www.techsupport@gsw-wh.com.

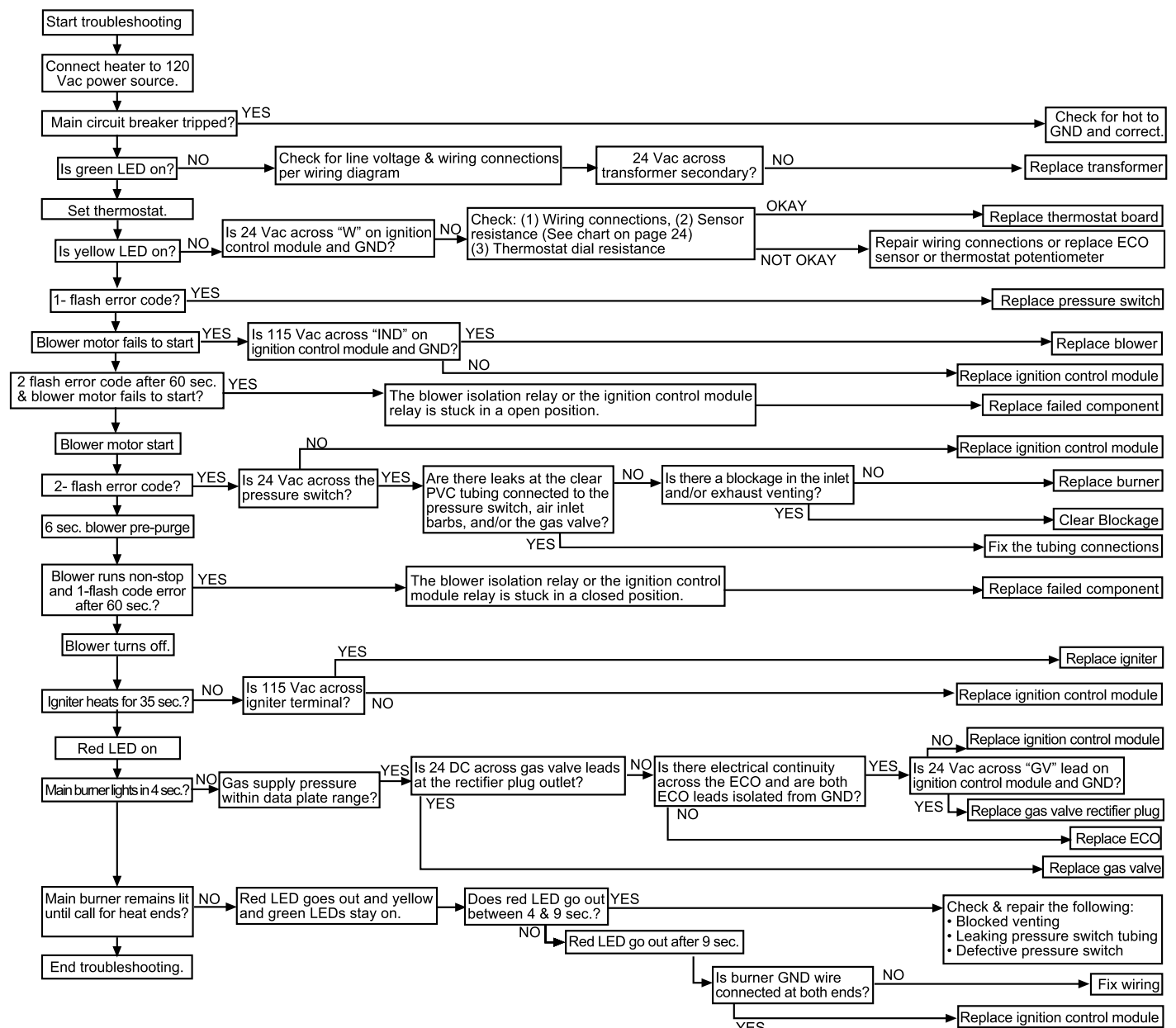


TROUBLESHOOTING

Table 5:
Ignition Control Module (ICM) LED Error Codes: (Flashes visible through viewport in access door)

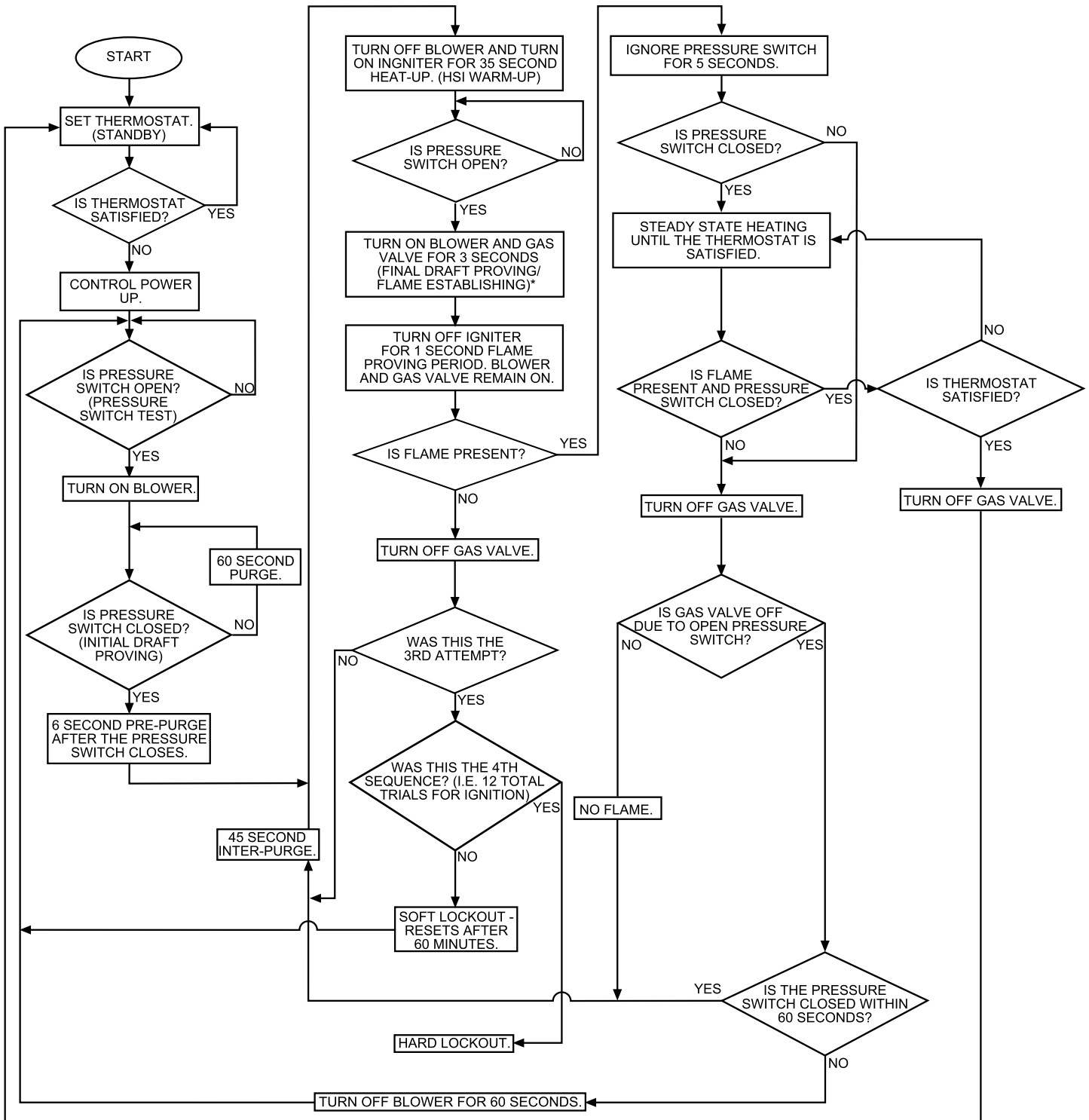
FLASHES	INDICATED PROBLEM	CONTROL REACTION
1	Pressure Switch Closed	SC*
2	Pressure Switch Open	SL
3	Failed Ignition	SL3
4	Gas Valve Hardware Fault	SL
5	Flame Sense Hardware Fault	SC
6	False Flame	SL**
8	Ignition Control Hardware Fault	SL
9	Ignition Control Software Fault	SL
Rapid	L1 Polarity Detection	SC

SL (Soft Lockout): Control Automatically resets after 60 minutes.
 SL3 (Soft Lockout/Hard Lockout): Control automatically resets after 60 minutes, with a maximum of 3 resets, followed by hard lockout requiring service.
 SC (Self Clearing): Control will function normally as soon as it no longer detects the previously indicated fault.
 * when pressure switch or blower relay opens
 ** when flame is no longer sensed.
 † Blower Isolation Relay is used on models 150,000 BTU/Hr and above.
 Note: If unit goes into a soft or hard lock-out the ignition control module can be reset by cycling power to the water heater.



SOFTWARE OPERATION SEQUENCE

IGNITION CONTROL MODULE SOFTWARE OPERATION SEQUENCE



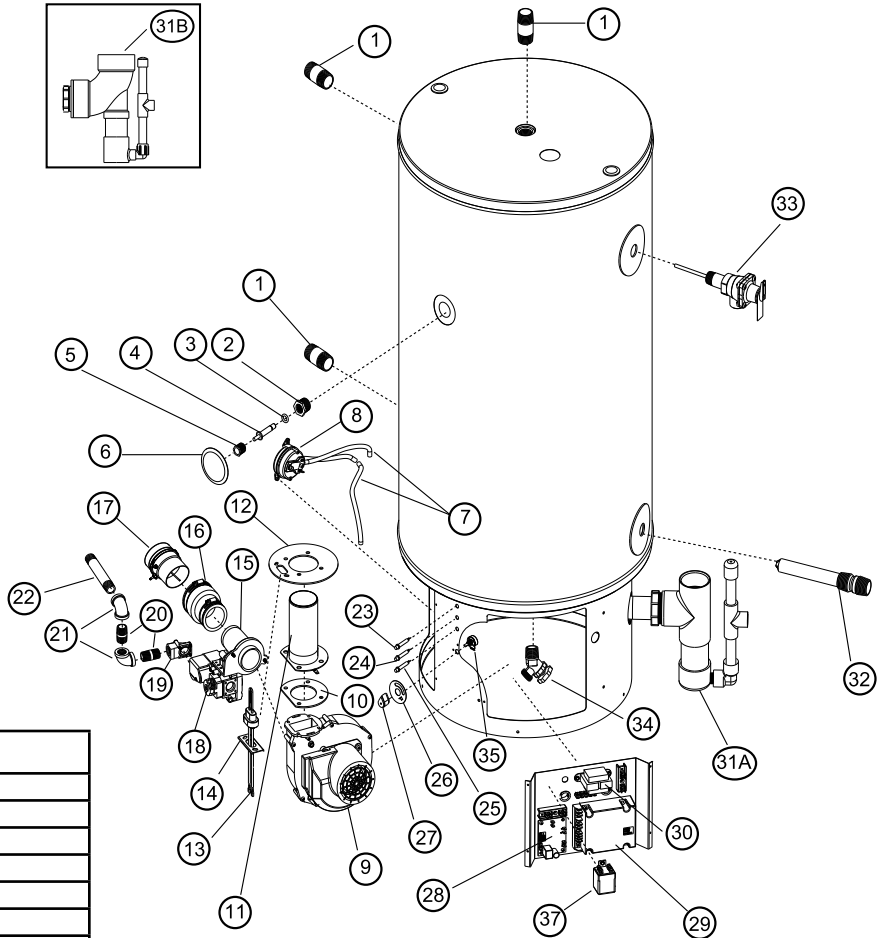
REPAIR PARTS LIST/DIAGRAM

When ordering repair parts always give the following information:

1. Model, serial, and product numbers
2. Type of gas
3. Item number
4. Parts description

Repair Parts List

ITEM NO.	PARTS DESCRIPTION
1	1" NPT x 2.5" BRASS NIPPLE
2	THERMOSTAT SENSOR BUSHING
3	O-RING
4	THERMOSTAT SENSOR/ECO
5	INVERTED FLARE NUT
6	PLUG
7	VINYL TUBING
8	PRESSURE SWITCH
9	COMBUSTION BLOWER
10	4 INCH (10.16 cm) DIAMETER BLOWER GASKET
11	BURNER (NATURAL AND L.P. SAME)
12	6 INCH (15.24 cm) DIAMETER BURNER GASKET
13	HOT SURFACE IGNITER
14	IGNITER BRACKET
15	VENTURI MANIFOLD
16	REDUCING COUPLING
17	INLET AIR / FILTER ASSEMBLY
18	GAS VALVE
19	1/2" NPT 90 DEGREE INLET FLANGE
20	1/2" NPT X 2" NIPPLES
21	1/2" NPT ELBOWS
22	1/2" NPT X 4.5" NIPPLE
23	RED LED
24	YELLOW LED
25	GREEN LED
26	THERMOSTAT BEZEL
27	TEMPERATURE SELECTOR KNOB
28	THERMOSTAT BOARD
29	IGNITION CONTROL
30	TRANSFORMER
31A	2" (DN 50mm) CONDENSATE TRAP ASSEMBLY
31B	3" (DN 80mm) CONDENSATE TRAP ASSEMBLY
32	COLD WATER TUBE ASSEMBLY
33	TEMPERATURE AND PRESSURE RELIEF VALVE
34	DRAIN VALVE
35	POTENTIOMETER
36	VENTURI GASKET (not pictured)
37	BLOWER ISOLATION RELAY



TOOLS REQUIRED FOR SERVICING

TOOL	FUNCTION
VOLT OHMMETER	MEASURE VOLTAGE/RESISTANCE
CLAMP-ON AMMETER	MEASURE CURRENT
STOPWATCH	CLOCK GAS CONSUMPTION
CALCULATOR	CALCULATE INPUT RATE
U-TUBE MANOMETER	READ INLET GAS PRESSURE
3/16-inch (≈ 4.76 mm) ID PLASTIC TUBING (2 FT [61 cm])	CONNECT MANOMETER
#1 & #2 PHILLIPS SCREWDRIVERS	REMOVE DOORS AND CONTROLS
12" (30.48 cm) PIPE WRENCH (2 REQUIRED)	REMOVE GAS LINE
SAE 1/2" COMBINATION WRENCH	REMOVE BLOWER AND BURNER
SAE 1/2" SOCKET AND RATCHET	REMOVE BLOWER AND BURNER
SAE 3/8" COMBO WRENCH/NUT DRIVER	REMOVE IGNITER
T-25 TORX WRENCH	REMOVE THE GAS VALVE

(ALSO HELPFUL - SAE 9/32" and 5/16" COMBINATION WRENCHES)

POLARIS MODELS & DIMENSIONS

Figure 26

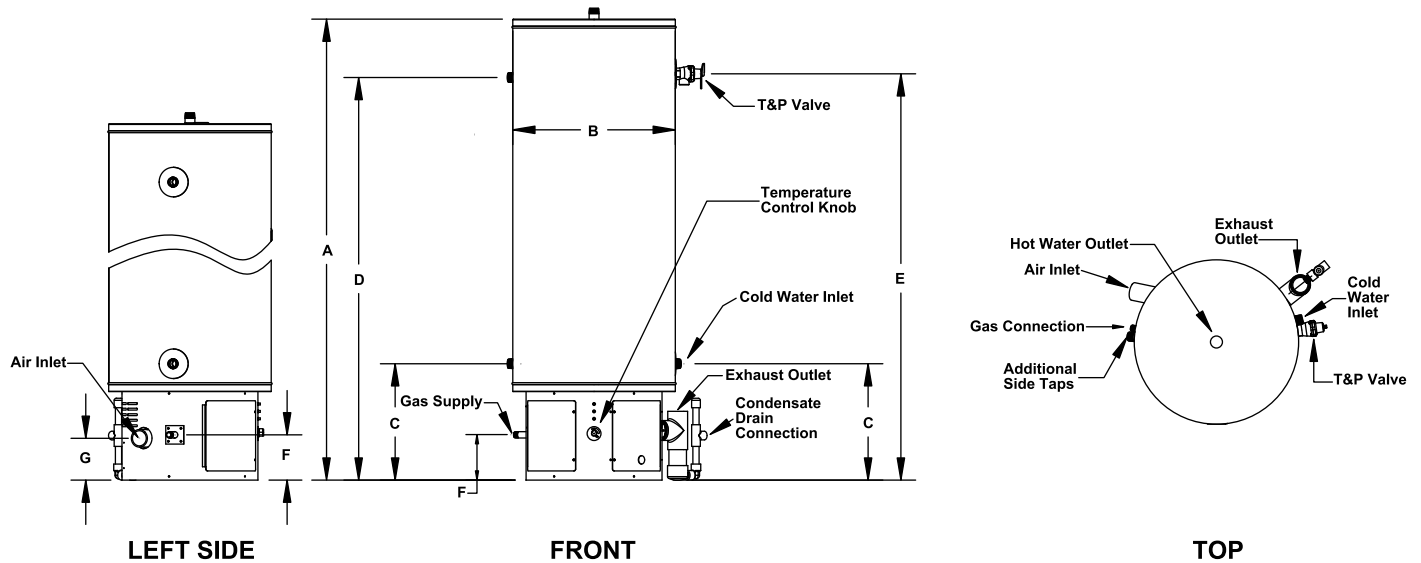


Table 6:

MODEL NUMBER	GAL. (Liter) CAP.	INPUT MBTU PER HR. (Kilowatt)	VENT DIA. INCHES	Length in inches (meter)							APPROX SHIP. WEIGHT
				EXTERIOR		WATER CONNECTIONS		T&P HGT	GAS SUPPLY	AIR INLET/EX-HAUST	
				A	B	C	D	E	F	G	
PC 100-34-2NV OR 2PV	34 (128.7)	100 (0.02930)	2 OR 3	48-1/2 (1.23)	22 (.55)	15-3/4 (.40)	40-1/2 (1.03)	41 (1.04)	6-3/8 (.162)	5-1/2 / 6-5/8 (.140 / .168)	150 lb (68 kg)
PC 130-34-2NV OR 2PV	34 (128.7)	130 (0.03809)	2 OR 3	48-1/2 (1.23)	22 (.55)	15-3/4 (.40)	40-1/2 (1.03)	41 (1.04)	6-3/8 (.162)	5-1/2 / 6-5/8 (.140 / .168)	150 lb (68 kg)
PC 150-34-2NV OR 2PV	34 (128.7)	150 (0.04396)	2 OR 3	48-1/2 (1.23)	22 (.55)	15-3/4 (.40)	40-1/2 (1.03)	41 (1.04)	6-3/8 (.162)	5-1/2 / 6-5/8 (.140 / .168)	150 lb (68 kg)
PC 130-50-2NV OR 2PV	50 (189.2)	130 (0.03809)	2 OR 3	62-3/8 (1.58)	22 (.55)	15-3/4 (.40)	54-1/2 (1.38)	55 (1.40)	6-3/8 (.162)	5-1/2 / 6-5/8 (.140 / .168)	176 lb (79.8 kg)
PC 150-50-2NV OR 2PV	50 (189.2)	150 (0.04396)	2 OR 3	63-3/4 (1.62)	22 (.55)	15-3/4 (.40)	55-3/4 (1.41)	56-1/4 (1.43)	6-3/8 (.162)	5-1/2 / 6-5/8 (.140 / .168)	180 lb (81.6 kg)
PC 175-50-3NV OR 3PV	50 (189.2)	175 (0.05128)	3	63-3/4 (1.62)	22 (.55)	15-3/4 (.40)	55-3/4 (1.41)	56-1/4 (1.43)	6-3/8 (.162)	5-1/2 / 6-5/8 (.140 / .168)	180 lb (81.6 kg)
PC 199-50-3NV OR 3PV	50 (189.2)	199 (0.05832)	3	63-3/4 (1.62)	22 (.55)	15-3/4 (.40)	55-3/4 (1.41)	56-1/4 (1.43)	6-3/8 (.162)	5-1/2 / 6-5/8 (.140 / .168)	180 lb (81.6 kg)

NOTES

NOTES

Polaris®

Commercial Gas Water Heater

GSW Water Heating
599 Hill Street West
Fergus, ON Canada N1M 2X1

Should you have any questions on obtaining technical,
warranty or service assistance during or after the installation of this water heater,

email us at:

techsupport@gsw-wh.com

or visit our website at:

www.gsw-wh.com

~ or ~

www.johnwoodwaterheaters.com

~ or ~

call our Technical Support line at:

1-888-GSW-TECH (479-8324)

Polaris®

Chaudière-gaz au gaz commercial

GSV Water Heating
599 Hill Street West
Fergus, ON Canada N1M 2X1

Si vous avez des questions concernant l'obtention d'une assistance technique,
des renseignements relatifs à la garantie et l'entretien pendant ou après l'installation de ce chauffe-eau,

veuillez nous envoyer un courriel à :

techsupport@gsw-wh.com

ou visiter notre site web :

www.gsw-wh.com

~ ou ~

www.johnwoodwaterheaters.com

~ ou ~

Appeler notre ligne de soutien technique en composant
1-888-GSW-TECH (479-8324)

Table 6 : Longueurs en po (mètres)

NUMÉRO DE MODÈLE	GAL. CAP. (Litres)	ENTRÉE DE BTU PAR HEURE. (kilowatt)	DIA. VENT. Po	EXTÉRIEUR			CONNEXIONS D'EAU	HGT DST	ALIMENTATION EN GAZ	ARRIVÉE/ÉVACUATION D'AIR	POIDS APPROX D'EXPÉDITION
				A	B	C					
PC 100-34 2NV ou 2PV	34	100	2 OU 3	48-1/2	22	15-3/4	40-1/2	41	6-3/8	5-1/2 / 6-5/8	68 kg
PC 130-34 2NV ou 2PV	34	130	2 OU 3	48-1/2	22	15-3/4	40-1/2	41	6-3/8	5-1/2 / 6-5/8	68 kg
PC 150-34 2NV ou 2PV	34	150	2 OU 3	48-1/2	22	15-3/4	40-1/2	41	6-3/8	5-1/2 / 6-5/8	68 kg
PC 130-50 2NV ou 2PV	50	130	2 OU 3	62-3/8	22	15-3/4	54-1/2	55	6-3/8	5-1/2 / 6-5/8	79.8 kg
PC 150-50 2NV ou 2PV	50	150	2 OU 3	62-3/4	22	15-3/4	54-1/2	55	6-3/8	5-1/2 / 6-5/8	81.6 kg
PC 175-50 3NV ou 3PV	50	175	3	63-3/4	22	15-3/4	55-3/4	56-1/4	6-3/8	5-1/2 / 6-5/8	81.6 kg
PC 199-50 3NV ou 3PV	50	199	3	63-3/4	22	15-3/4	55-3/4	56-1/4	6-3/8	5-1/2 / 6-5/8	81.6 kg

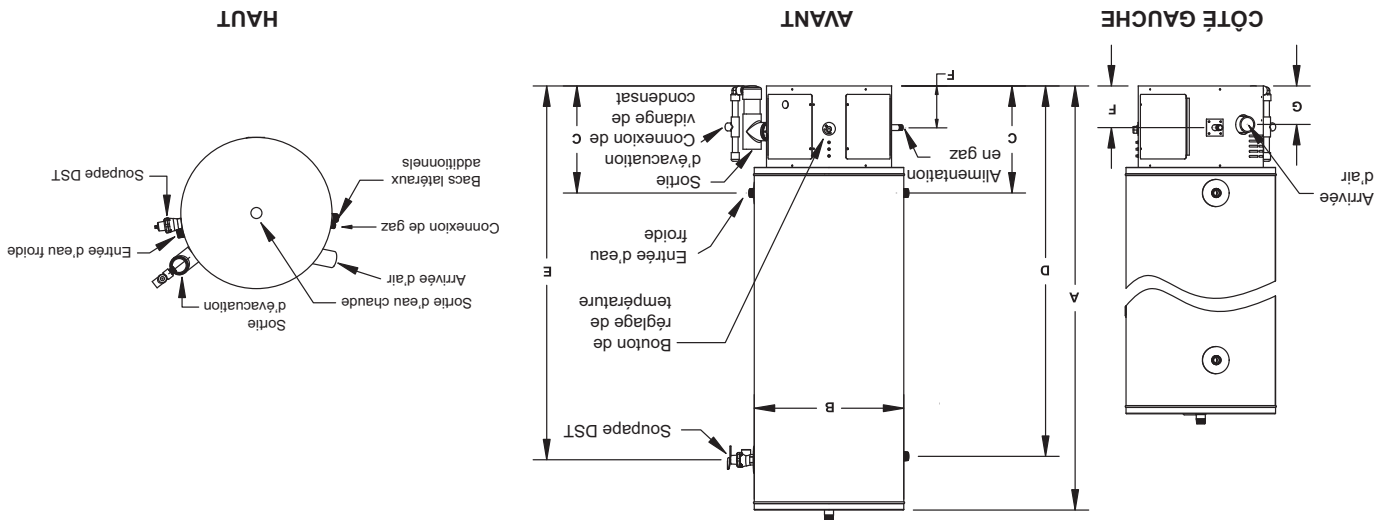


Figure 26

Au moment de commander des pièces de rechange, toujours avoir les renseignements suivants à portée de la main :

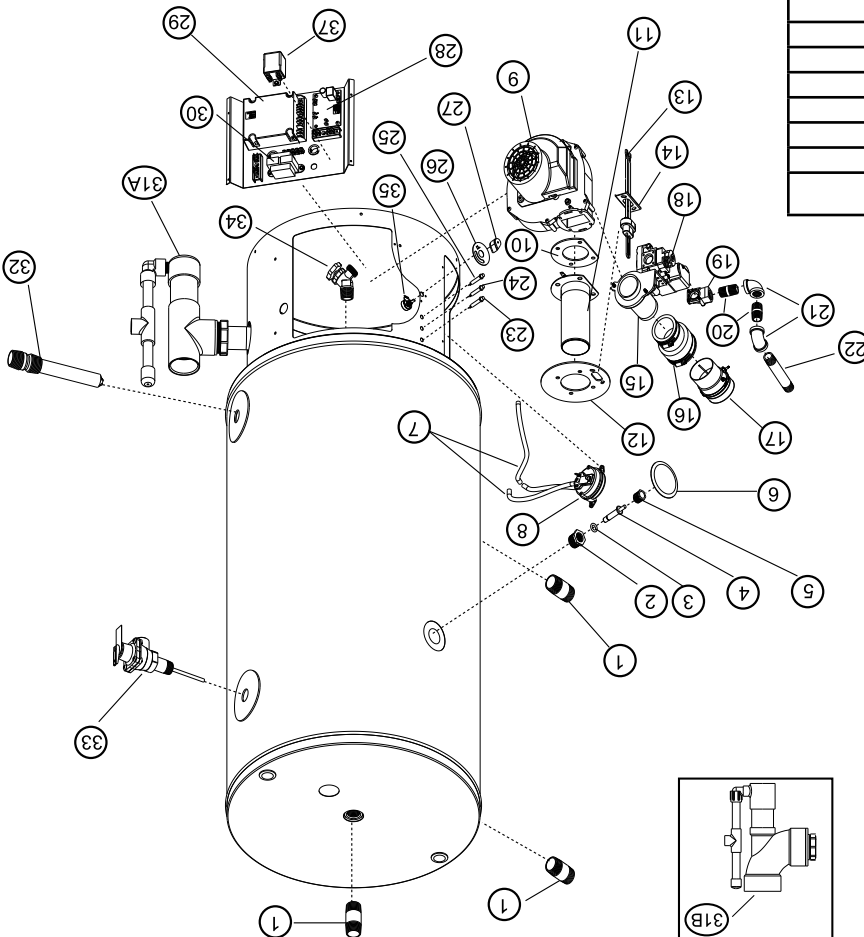
1. Modèle, numéros de série et de produit
2. Type de gaz
3. Numéro d'article
4. Description de la pièce

Liste des pièces de rechange

No d'article	DESCRIPTION DE LA PIÈCE
1	MAMELON LAITON 1 PO NPT X 2,5 PO
2	MANCHON DU CAPTEUR DU THERMOSTAT
3	JOINT TORIQUE
4	ECO/CAPTEUR DU THERMOSTAT
5	ECROU CÔNE SUR CÔNE
6	FICHE
7	TUBE EN VINYLE
8	PRESSOSTAT
9	VENTILATEUR D'AIR DE COMBUSTION
10	JOINT DU VENTILATEUR DE 10,6 cm (4 PO) DE DIAMÈTRE
11	BRÛLEUR (GAZ NATUREL/GAZ GPL)
12	JOINT DU BRÛLEUR DE 15,24 cm (6 PO) DE DIAMÈTRE
13	ALLUMEUR DE SURFACE CHAUDE
14	SUPPORT DE L'ALLUMEUR
15	COLLECTEUR VENTUR
16	ACCROULEMENT DE RÉDUCTION
17	ENSEMBLE FILTRE/ARRIVÉE D'AIR
18	RÉGULATEUR DE GAZ
19	BRIDE D'ARRIVÉE D'EAU 1-1/2 PO NPT 90 DEGRÉS
20	MAMELONS 1/2 PO NPT X 2 PO
21	COUDES 1/2 PO NPT
22	MAMELON 1/2 PO NPT X 4,5 PO
23	DEL ROUGE
24	DEL JAUNE
25	DEL VERT
26	CADRAN DE THERMOSTAT
27	BOUTON SÉLECTEUR DE TEMPÉRATURE
28	CARTE DE THERMOSTAT
29	COMMANDE D'ALLUMAGE
30	TRANSFORMATEUR
31A	ENSEMBLE DE PURGEUR D'EAU DE CONDENSATION 2 PO (DN 50mm)
31B	ENSEMBLE DE PURGEUR D'EAU DE CONDENSATION 3 PO (DN 80mm)
32	ENSEMBLE DE TUBE D'EAU FROIDE
33	SOUPAPE DE DÉCHARGE À SÉCURITÉ THERMIQUE
34	SOUPAPE DE VIDANGE
35	POTENTIOMÈTRE
36	JOINT D'ÉTANCHÉITÉ VENTURI (non illustré)
37	RELAIS D'ISOLATION DU VENTILATEUR

OUTIL		FONCTION
		MULTIMÈTRE
		MESURE DE TENSION/RÉSISTANCE
		MESURE LE COURANT
		PINCE SUR L'AMPÈRÈMÈTRE
		CHRONOMÈTRE
		HORLOGE DE CONSOMMATION DE GAZ
		CALCULATRICE
		MANOMÈTRE À TUBE EN U
		LIT LA PRESSION D'ARRIVÉE DE GAZ
		TUBE EN PASTIQUE ID ≈ 4,76 mm (3/16-po) (61 cm [2 pi])
		TOURNEVIS PHILLIPS #1 et #2
		RETIRES LES PORTES ET LES COMMANDES
		RETIRES LA CONDUITE DE GAZ
		CLÉ À TUYAU 30,48 cm (12 po) (2 REQUIS)
		RETIRES LE VENTILATEUR ET LE BRÛLEUR
		CLÉ DE COMBINAISON SAE 1/2 po
		RETIRES LE VENTILATEUR ET LE BRÛLEUR
		DOUILLE ET CLIQUET SAE 1/2 po
		COMBO CLÉ/TOURNE-ÉCROU SAE 3/8 po
		RETIRES L'ALLUMEUR
		CLÉ T-25 TORX
		RETIRES LA COMMANDE DE GAZ
(ÉGALEMENT UTILE - CLÉS À COMBINAISON SAE de 9/32 et 5/16 po)		

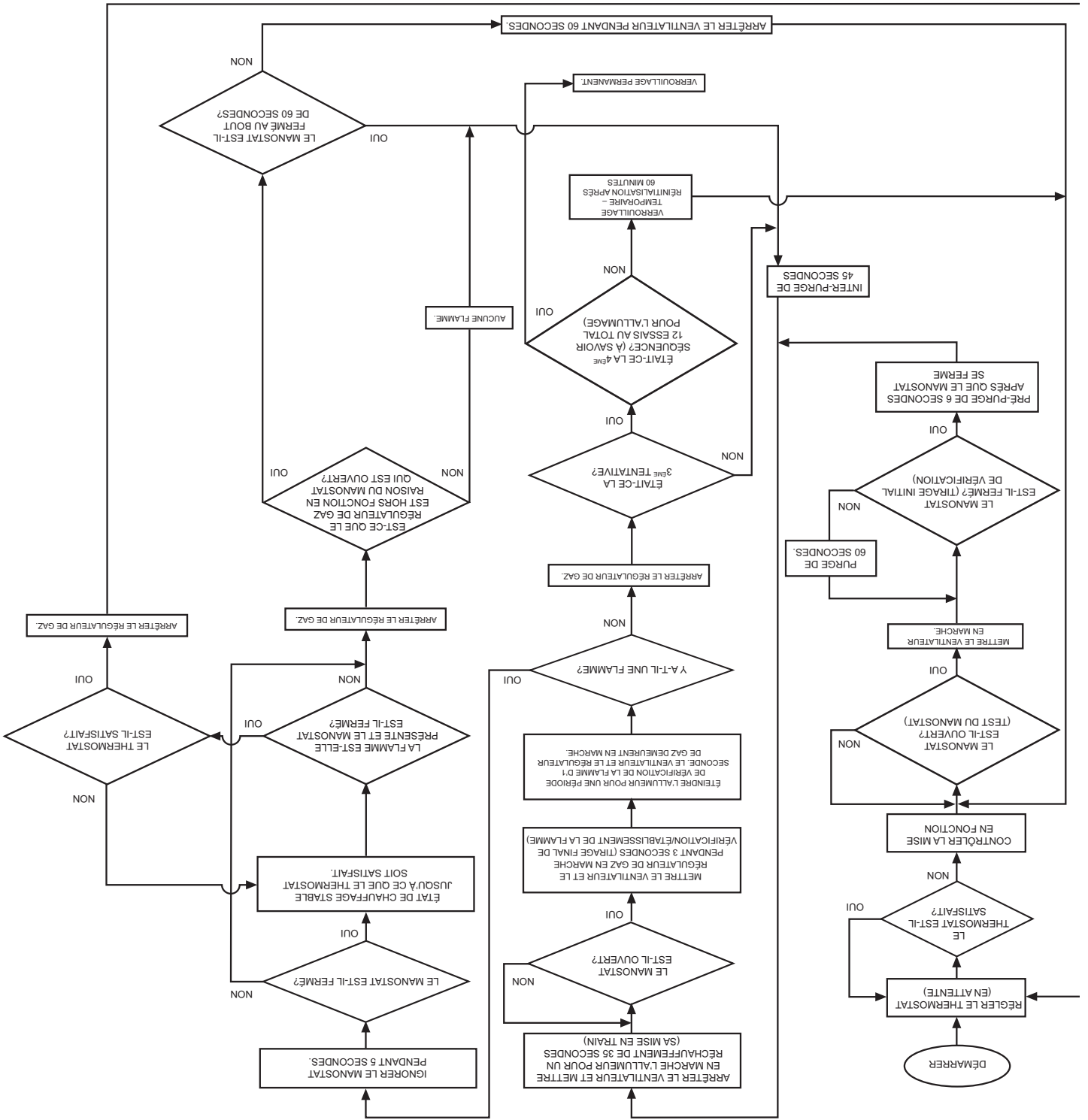
OUTILS REQUIS POUR L'ENTRETIEN



LISTE/DIAGRAMME DES PIÈCES DE RECHANGE

SÉQUENCE DE FONCTIONNEMENT DU LOGICIEL DU MODULE DE LA COMMANDE D'ALLUMAGE

SÉQUENCE DE FONCTIONNEMENT DU LOGICIEL



Inspection après 3 mois

Au moins une fois chaque 3 mois une inspection visuelle devrait être faite de l'arrivée d'air de combustion ainsi que de la tuyauterie d'évacuation et d'eau. Vérifier le chauffe-eau comme suit :

- Obstructions, dommages et détérioration du réseau de ventilation. S'assurer que les sources d'air de combustion et d'évacuation ne sont pas obstruées.
 - Fuites ou dommages de la tuyauterie d'eau et de gaz.
 - Présence de matériaux inflammables ou d'agents corrosifs dans l'aire du chauffe-eau.
 - Présence de matériaux combustibles à proximité du chauffe-eau.
- Important :** Vérifier le bon fonctionnement après tout opération de réparation de ce chauffe-eau.

Régulateur de gaz

Le régulateur de gaz de ce chauffe-eau a été réglé de façon permanente à l'usine pour qu'il fonctionne bien. Aucun réglage sur place n'est nécessaire et ne devrait être effectué.

Retrait du régulateur de gaz

Le retrait et le remplacement du régulateur de gaz implique la déconnexion de la tuyauterie de gaz et des fils conducteurs électriques. Cette procédure devrait être exécutée par un technicien d'entretien qualifié.

Important : Lors du retrait du régulateur de gaz, ne pas utiliser une clé à tuyaou pour saisir le corps. Ne pas appliquer de la force sur le régulateur à gaz ou sur le raccord à bride coulé sur le côté de l'entrée du régulateur à gaz (voir Figure 25.) Une telle force pourrait briser ou fissurer ces composants.

1. Tourner le cadran de température dans le sens anti-horaire pour atteindre le réglage le plus bas et couper le courant électrique à l'appareil.
2. Fermer l'alimentation en gaz au niveau du robinet manuel d'arrêt du gaz sur le tuyau d'alimentation en gaz. Voir Figure 19 aux fins de référence. Retirer la porte d'accès.
3. Déconnecter la connexion de tuyauterie de gaz juste à l'extérieur de la base du chauffe-eau. Remarque : Utiliser une deuxième clé de tuyaou sur la tuyauterie de gaz à l'intérieur de la jupe pour éviter de fissurer le régulateur de gaz ou le raccord à bride.
4. Retirer le purgeur de pression du régulateur de gaz (voir Figure 25). Le boyau ne peut pas être déconnecté.
5. Retirer la vis cruciforme qui retient la prise électrique et retirer la prise électrique du régulateur de gaz.
6. Retirer les trois vis de cuivre à tête T-25 Torx qui attachent le régulateur de gaz au collecteur venturi, et ce, en utilisant (modèle VK8115V, numéro de pièce 6903775.)
7. Retirer le régulateur de gaz de l'unité en gardant la rondelle en caoutchouc avec le régulateur de gaz.
8. Enlever la bride du côté de l'arrivée de gaz du régulateur en enlevant les quatre (4) vis au niveau des vis de fixation.

Remplacement du régulateur de gaz

Important : La rondelle en caoutchouc qui joint le régulateur de gaz au collecteur venturi doit être utilisée (les anciennes rondelles peuvent être réutilisées si elles sont en bon état).

1. Retirer le joint torique de la bride (retrée de l'ancien régulateur de gaz) et le remplacer par celui qui est fourni dans la trousse du régulateur de gaz (modèle VK8115V, numéro de pièce 6903775).
2. Réattacher la bride coude au régulateur de gaz. Bien serrer les quatre vis.
3. Placer les trois vis T-25 Torx à travers les bons trous dans la bride du collecteur venturi. Voir Figure 25.
4. Bien installer une nouvelle rondelle en caoutchouc (fournie) tel qu'illustré à la Figure 25.
5. Placer le régulateur de gaz dans sa position et commencer à visser les trois vis (projetant vers le bas à partir du collecteur venturi) dans le régulateur de gaz. Une clé T-25 Torx a été fournie dans la trousse de remplacement du régulateur de gaz (modèle VK8115V, numéro de pièce 6903775).

Remarque : Les trois vis T-25 Torx screws doivent être bien serrées pour fixer le joint entre le régulateur de gaz et le collecteur venturi.

6. Reconnecter le purgeur de pression au port sur le nouveau régulateur de gaz (voir Figure 25).

7. Rebrancher la conduite d'alimentation en gaz externe à la tuyauterie de gaz sur le régulateur de gaz. S'assurer d'utiliser du ruban de Teflon ou du mastic à joint fileté approuvé qui soit convenable pour les tuyauteries de gaz.

Remarque : Utiliser une deuxième clé de tuyaou sur la tuyauterie de gaz à l'intérieur de la jupe pour éviter de fissurer le régulateur de gaz ou le raccord coulé.

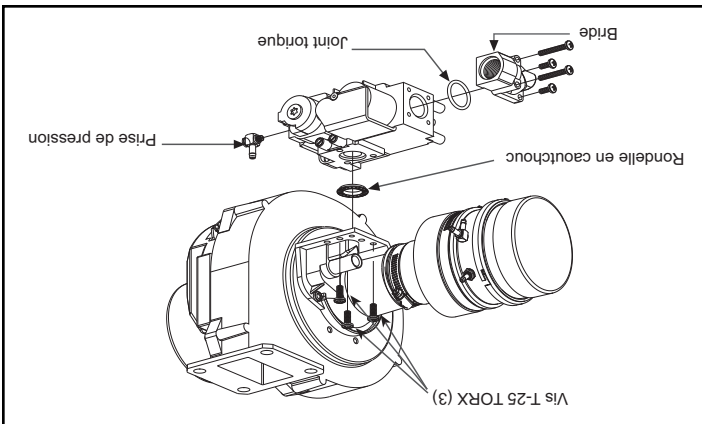
8. Reconnecter la prise électrique au régulateur de gaz et la fixer avec la vis fournie.

9. Ouvrir l'alimentation en gaz et vérifier s'il y a des fuites. Utiliser un savon sans chlorure et de l'eau (les bulles qui se forment indiquent une fuite) ou toute autre méthode approuvée. Colmater sur-le-champ toutes les fuites découvertes.

10. S'assurer que le réservoir est complètement rempli d'eau avant de rebrancher le courant électrique au chauffe-eau. Suivre les consignes d'utilisation à la Page 23.
11. Réinstaller la porte d'accès.

Si des informations additionnelles sont requises, contacter le Service d'assistance technique à travers notre site Web : www.techsupport@gws-wh.com.

Figure 25



Important : En cas de surchauffe ou si l'alimentation en gaz ne s'arrête pas, fermer le robinet d'alimentation en gaz manuel. Couper l'alimentation électrique à l'unité et fermer le robinet d'alimentation en eau froide. Ne pas faire fonctionner le chauffe-eau avant que celui-ci ne soit examiné par un technicien de service autorisé.

Arrêt d'urgence

Température de l'eau °C (°F)	Délai d'ébullition – (moins graves)	Délai d'ébullition – (très graves)
43 (110)	(temp. normale d'une douche)	
47 (116)	(seuil de douleur)	
47 (116)	35 minutes	45 minutes
50 (122)	1 minute	5 minutes
55 (131)	5 secondes	25 secondes
60 (140)	2 secondes	5 secondes
65 (149)	1 seconde	2 secondes
68 (154)	Instantané	1 seconde

(U.S. Government Memorandum, C.P.S.C., Peter L. Armstrong, Sept. 15, 1978)

Table 4

Important : Ajuster le thermostat passé la marque de 48,9 °C (120 °F) sur le cadran de température (voir Figure 22) augmentera le risque de blessure d'échaudure. L'eau chaude peut causer des brûlures au premier degré en dedans de :

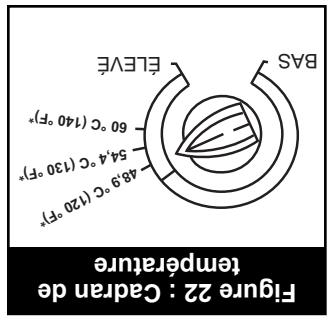


Figure 22 : Cadran de température

température plus élevée que 130°F (54,4°C) peut réduire la survenue d'une défaillance de l'allumeur en raison d'un surplus de condensat.

Important : Un mélangeur (fourni) doit être installé dans la sortie d'eau chaude pour réduire le risque de blessure d'échaudure lorsque on règle le thermostat à des températures supérieures à 54,4°C (130°F). Se reporter aux manuels d'instructions du fabricant fournis avec ce type d'équipement pour connaître les réglages de température recommandés.

Le phénomène d'empilage survient lorsqu'une série d'ouvertures du robinet d'eau chaude tire une faible quantité d'eau chaude (11,3 litres [3 gallons] ou moins). Ceci entraîne l'allumage du brûleur à chaque occasion, ce qui a pour conséquence éventuelle de faire augmenter la température de l'eau à la sortie du robinet d'eau chaude. Un mélangeur doit être installé sur la conduite d'alimentation en eau chaude pour réduire le risque de blessure d'échaudure.

Réglage de la température d'eau

AVERTISSEMENT

AVERTISSEMENT

Les températures de l'eau supérieures à 51,6 °C (125 °F) peuvent causer des brûlures sévères. Instantanément ou la mort par l'ébullition. Les enfants, les personnes handicapées et les personnes âgées ont un plus grand risque de s'ébouillanter.

Veillez lire le manuel d'instruction avant de régler la température de la chaudière.

Tâtez l'eau avant de prendre un bain ou une douche. Des limiteurs de température sont disponibles.

Le thermostat est ajusté à son réglage de température la plus basse lorsqu'il est expédié de l'usine. La température de l'eau peut être réglée en déplaçant le cadran de température au réglage désiré. Le point de départ préféré est 54,4 °C (130 °F); toutefois, dans certains cas, régler le chauffe-eau à une

Empilable

Le phénomène d'empilage survient lorsqu'une série d'ouvertures du robinet d'eau chaude tire une faible quantité d'eau chaude (11,3 litres [3 gallons] ou moins). Ceci entraîne l'allumage du brûleur à chaque occasion, ce qui a pour conséquence éventuelle de faire augmenter la température de l'eau à la sortie du robinet d'eau chaude. Un mélangeur doit être installé sur la conduite d'alimentation en eau chaude pour réduire le risque de blessure d'échaudure.

CONSIGNES D'UTILISATION

1. Tourner le cadran de température dans le sens anti-horaire jusqu'au réglage le plus bas.
2. Couper toute l'alimentation électrique à l'appareil.
3. Cet appareil est muni d'un dispositif d'allumage qui allume automatiquement le brûleur. Ne pas tenter d'allumer le brûleur à la main.
4. Pour vider tout gaz ayant pu s'accumuler, attendre dix (10) minutes. En cas d'odeur de gaz, ARRÊTEZ! Consulter l'avertissement de sécurité sur la couverture avant de ce manuel. En l'absence d'odeur de gaz, passer à l'étape suivante.
5. Brancher le courant électrique au chauffe-eau. Le voyant d'alimentation vert luitra.
6. Tourner le cadran de température dans le sens horaire pour parvenir au réglage souhaité. Le voyant jaune de l'allumeur luitra lorsque le thermostat demandera de la chaleur. Après 35 secondes, le brûleur se déclenchera et le voyant rouge du brûleur luitra.
7. Si l'appareil ne se met pas en marche après trois essais automatiques, suivre ces instructions encore une fois. Si l'appareil refuse toujours de s'allumer, suivre les instructions « Pour arrêter l'appareil » et appeler le technicien de service ou votre fournisseur de gaz.

*** Les températures illustrées sont approximatives et pourraient varier.**

POUR COUPER LE GAZ À L'APPAREIL

1. Tourner le cadran de température dans le sens anti-horaire jusqu'à parvenir au réglage le plus bas.
2. Couper toute l'alimentation électrique à l'appareil si un service de réparation doit être effectué.
3. Fermer le robinet d'arrêt du gaz manuel dans la conduite de gaz située à proximité du chauffe-eau.

FONCTIONNEMENT DU CHAUFFE-EAU

Lire et comprendre ces directions dans leur intégralité avant de tenter de faire fonctionner le chauffe-eau (voir la Notice d'utilisation à la Page 23). Voir la plaque de données à l'avant du chauffe-eau pour connaître le gaz approprié. Ne pas utiliser le chauffe-eau avec un autre type de gaz que celui qui figure sur la plaque d'identification. En cas de question ou de doute, consulter le fournisseur en gaz ou la compagnie du gaz.

Modèles L.P. (Propane)

Le gaz propane est plus lourd que l'air et en cas d'une fuite du système, le gaz se concentrera au niveau du plancher. Les sous-sols, vides sanitaires, aires développées sous les maisons mobiles (même lorsque ventilées), placards et espaces sous le niveau du sol serviront de poches pour l'accumulation de gaz. Avant d'allumer un chauffe-eau au gaz propane, renfler tout autour de l'appareil au niveau du sol. S'il y a une odeur de gaz, suivre les instructions comme indiqué dans l'avertissement sur la première page.

Lorsque le réservoir de propane est à court de carburant, couper le gaz allumant les appareils y compris les veilleuses. Après que le remplissage du réservoir, tous les appareils doivent être ré-allumés conformément aux instructions du fabricant.

Fonctionnement du chauffe-eau

Ce chauffe-eau ne comporte pas de veilleuse d'allumage. Il est muni d'un dispositif d'allumage électronique qui allume automatiquement le brûleur. Il y a trois lumières pour indiquer les différents stades de fonctionnement: **Vert** = Le courant électrique est branché, **Jaune** = Le thermostat fait appel à la chaleur, ce qui signale le début de la séquence d'allumage (voir Figure 21), et **Rouge** = La commande d'allumage signale que le robinet de gaz est ouvert.

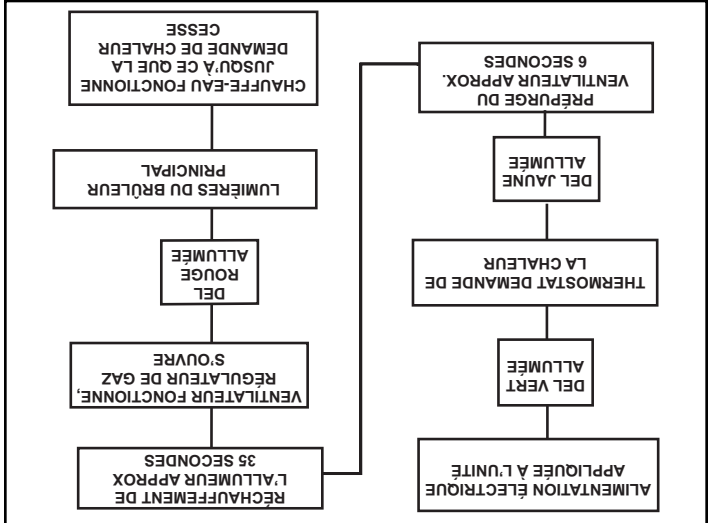


Figure 21 : Séquence de fonctionnement

Résistance	Température	
15 300 ohms	16 °C	60 °F
9 300 ohms	27 °C	80 °F
3 800 ohms	49 °C	120 °F
2 500 ohms	60 °C	140 °F
1 700 ohms	71 °C	160 °F
1 100 ohms	85 °C	185 °F

Table 3 :

Capteur de thermostat

Le capteur est un thermostat de 10k ohm [à 25 °C (77 °F)]. Lire la résistance à travers les fils noirs qui arrivent jusqu'au capteur. Enlever les fils de la carte de circuit imprimé avant de vérifier. Un circuit ouvert ou un court-circuit indique une défaillance mentionnées dans le Table 3. La résistance devrait correspondre à la température du réservoir :

Lorsque le thermostat fait appel à la chaleur, le ventilateur fonctionnera pendant 6 secondes pour vider le système de tout gaz ou air accumulé. L'allumeur de surface chaude se réchauffera pendant 35 secondes. Le ventilateur se mettra en marche et le robinet de gaz s'ouvrira, forçant le mélange d'air et de gaz à travers l'allumeur de surface chaude, poussant ainsi le brûleur à s'allumer. L'allumeur de surface chaude s'éteindra et agira comme capteur de flamme électronique pour déterminer si l'allumage du brûleur a été accompli. S'il détecte une perte de flamme quelconque, il arrêtera l'alimentation en gaz au brûleur. La commande d'allumage tentera d'allumer le brûleur à trois reprises. Si la commande d'allumage ne détecte pas une flamme au bout de trois essais, elle se verrouillera temporairement, mais redémarrera automatiquement et fera trois autres essais après 60 minutes. Ce processus se poursuivra jusqu'à ce que l'allumage se produise, et en cas d'échec, le système se verrouillera indiquant un besoin de réparation. Se reporter au Guide de dépannage à la Page 26.

Exigences en matière

d'emplacement du chauffe-eau

- Emplacement central par rapport à la tuyauterie d'eau.
- Emplacement le plus près possible de la tuyauterie de gaz et du réseau de tuyaux de ventilation.
- Installation intérieure et à la verticale. Protection contre le gel.
- Respect des dégagements prescrits par rapport aux surfaces combustibles et chauffe-eau non posé directement sur une moquette. Espace suffisant pour l'entretien du chauffe-eau.
- Présence de dispositifs de protection de l'aire du chauffe-eau contre les dommages causés par l'eau. Bac d'évacuation métallique bien dimensionné installé et canalisé jusqu'à un drain adéquat.
- Aire d'installation exempte d'agents corrosifs et de matériaux inflammables.

Tuyau de condensat

- La tige de vidange est complètement insérée dans le coude et collée adéquatement.
- Le purgeur est aligné de sorte que le tuyau d'évacuation soit en position verticale proche de la surface du chauffe-eau.
- La conduite est bien inclinée à un drain adéquat ou à une pompe de condensat approuvée.

Réseau de tuyaux de ventilation

- Tuyau et raccords de ventilation d'un matériel approuvé.
- Dimension, longueur et nombre de coudes acceptables sur le tuyau d'arrivée d'air.
- Dimension, longueur et nombre de coudes acceptables sur le tuyau de sortie d'évacuation.
- Ajouter le filtre d'arrivée d'air selon les instructions du fabricant.
- Installé conformément aux dispositions applicables des codes locaux ou, en l'absence de ceux-ci, à l'édition en cours du « Code national du gaz et du chauffage », ANSI Z223.1 (NFPA 54). Les installations canadiennes doivent être effectuées conformément à l'édition en cours CAN/CSA-B149.1.
- Toutes les tuyauteries horizontales de 2 po sont inclinées vers le bas en direction du chauffe-eau à 21 mm par mètre (1/4 po par pi). Toutes les tuyauteries horizontales de 3 po sont inclinées vers le bas en direction du chauffe-eau à 10,5 mm par mètre (1/8 po par pi).
- Non obstrué de quelque façon.

Terminaison de ventilation

Horizontale

- Relation correcte - sortie à entrée.
- 30,5 cm Min. (12 po) au-dessus du sol/niveau de neige.
- Tuyauteries de sortie d'évacuation/d'arrivée d'air de 2 po sont inclinées vers le bas en direction du chauffe-eau à 21 mm par mètre (1/4 po par pi). Les tuyauteries horizontales de 3 po sont inclinées vers le bas en direction du chauffe-eau à 10,5 mm par mètre (1/8 po par pi).
- Loins des coins, autres événements, fenêtres, etc.

Terminaison horizontale alternative

- Relation correcte - sortie à entrée.
- 30,5 cm Min. (12 po) au-dessus du niveau de neige prévu.
- Tuyauteries de sortie d'évacuation/d'arrivée d'air de 2 po sont inclinées vers le bas en direction du chauffe-eau à 21 mm par mètre (1/4 po par pi). Les tuyauteries horizontales de 3 po sont inclinées vers le bas en direction du chauffe-eau à 10,5 mm par mètre (1/8 po par pi).
- Loins des coins, autres événements, fenêtres, etc.

Verticale

- Entrée -12 po Min. (30,5 cm) au-dessus du toit/niveau de neige.
- Relation correcte - sortie à entrée.
- Loins des coins, autres événements, fenêtres, etc.

Concentrique

- 30,5 cm Min. (12 po) au-dessus du sol/niveau de neige.
- Tuyauteries de sortie d'évacuation/d'arrivée d'air de 2 po sont inclinées vers le bas en direction du chauffe-eau à 21 mm par mètre (1/4 po par pi). Les tuyauteries horizontales de 3 po sont inclinées vers le bas en direction du chauffe-eau à 10,5 mm par mètre (1/8 po par pi).
- Loins des coins, autres événements, fenêtres, etc.

Tuyauterie du circuit d'eau

- Soupape de décharge à sécurité thermique correctement installée, avec conduite de dérivation aboutissant à un drain ouvert, et protégée contre le gel.
- Toute la tuyauterie correctement installée et exempte de fuites.
- Chauffe-eau complètement rempli d'eau.
- Un réservoir d'expansion bien dimensionné doit être installé sur tous les systèmes fermés.
- Un mélangeur doit être installé selon les instructions du fabricant.

Alimentation en gaz et

tuyauterie de gaz

- Si un connecteur de gaz flexible est utilisé, s'assurer que l'étiquette de la plaque signalétique correspond ou dépasse la production du chauffe-eau.
- La taille du tuyau doit être adéquate et le matériel approuvé.
- Alimentation en gaz correspondant à celle indiquée sur la plaque signalétique du chauffe-eau.
- Conduite de gaz munie d'un robinet d'arrêt d'ouverture complet, un raccord union et un point de purge.
- Approved pipe joint compound used.
- Savon sans chlorures ou solution aqueuse ou tout autre moyen approuvé servant à vérifier s'il y a des fuites de gaz dans l'ensemble des connexions et raccords.

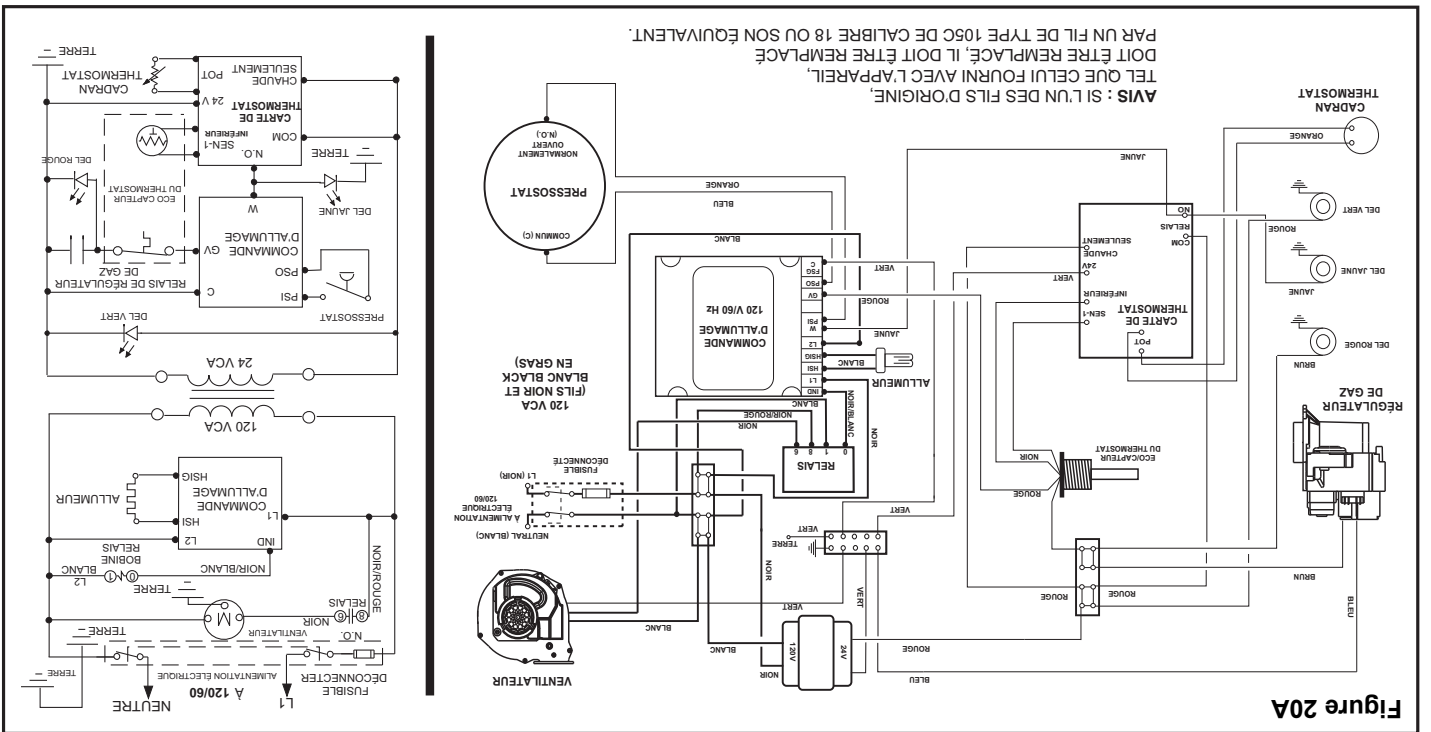
Connexions électriques

- Unité connectée à une alimentation électrique dédiée.
- Unité connectée à une alimentation électrique de 120V.
- Bonne polarité.
- Chauffe-eau mis à la terre de façon appropriée.

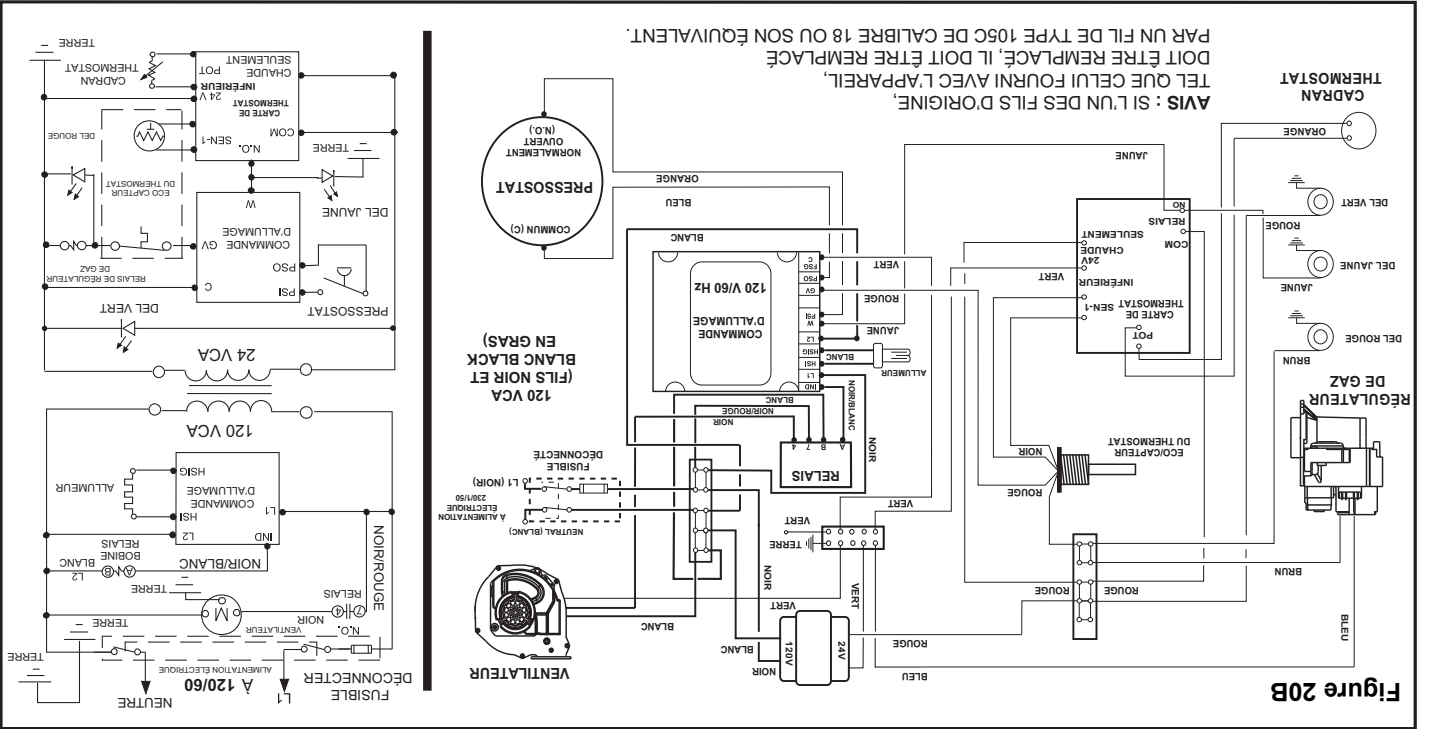
conformément à l'édition en cours CAN/CSA-B149.1. 54). Les installations canadiennes doivent être effectuées conformément à l'édition en cours du « Code national du gaz et du chauffage », ANSI Z223.1 (NFPA

SCHEMA DE CABLAGE

CHAUFFE-EAU FOURNI AVEC UN RELAIS DES SÉRIES T92



CHAUFFE-EAU FOURNI AVEC UN RELAIS DES SÉRIES KUHP



AVERTISSEMENT

Risque de choc électrique

Couper l'alimentation électrique

avant toute réparation.

Remplacer toutes les pièces et les

panneaux avant de mettre en

marche.

Le défaut de le faire peut entraîner la mort ou une électrocution.



Si l'acheteur ne possède pas les compétences nécessaires pour installer correctement le câblage électrique de ce chauffe-eau, il doit retenir les services d'un électricien qualifié pour effectuer l'installation.

Pour effectuer les connexions électriques, s'assurer toujours

que :

- La tension et la fréquence correspondent à celles indiquées sur la plaque signalétique du chauffe-eau située à l'avant de ce dernier.
- L'alimentation électrique est protégée par le bon fusible ou disjoncteur. La chauffe-eau tire moins de 7 ampères. Les dimensions et connexions des fils se conforment à tous les codes applicables.
- Le câblage est protégé par un tube protecteur approuvé (si requis par les codes locaux).
- Le chauffe-eau et l'alimentation électrique sont bien mis à la terre.
- Ce chauffe-eau doit être « câblé » - ne pas utiliser une rallonge électrique pour alimenter ce chauffe-eau en courant électrique.

Remarque :

Le diagramme de filage se trouve à la Page 20. Se reporter toujours au(x) diagramme(s) pour connaître les bonnes connexions électriques.

Lors de l'installation du câblage électrique du chauffe-eau :

1. Couper le courant de la boîte de service électrique.
2. Desserer les vis fixant le panneau d'accès au compartiment électrique. (Les modèles de diagramme de filage électrique se trouvent à l'intérieur du panneau d'accès à la base du chauffe-eau.) Placer le panneau d'accès de côté.
3. Connecter l'alimentation électrique au chauffe-eau conformément aux exigences et codes locaux. Utiliser seulement un circuit électrique dédié contenant un fusible bien dimensionné ou un disjoncteur. La protection contre la surcharge maximale ne devrait pas dépasser 15 ampères.

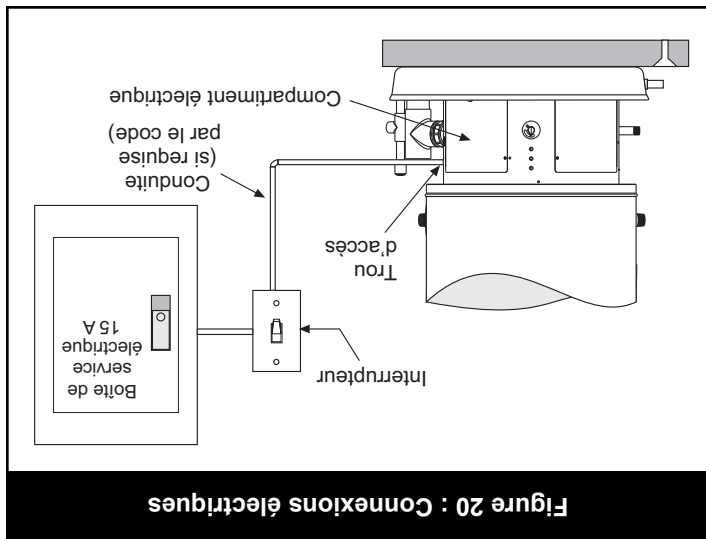




Figure 20 : Connexions électriques

4. Connecter ce circuit (directement de la boîte de service électrique) à un sectionneur électrique.
5. Mettre le chauffe-eau à la terre en connectant la fil de mise à terre du service électrique au fil de mise à la terre vert (fourmi).
6. Une fois les connexions électriques faites, remplir entièrement le réservoir d'eau et s'assurer qu'il n'y a pas de fuite dans les connexions. Ouvrir le robinet d'eau chaude le plus proche et le laisser couler pendant 3 minutes pour purger les conduites d'eau de tout excédent d'air et veiller à ce que le réservoir soit rempli au complet. L'appareil peut ensuite être mis sous tension. Voir Figure 20 pour l'installation complète.

	
Risque d'explosion	
<p>Demander à une personne qualifiée de s'assurer que la pression d'opération de gaz GPL ne dépasse pas 13 po CE (3,237 kPa).</p> <p>Des exemples de personne qualifiée incluent un personnel de chauffage agréés, des employés autorisés de la société gazière et employés d'entretien autorisés.</p> <p>Le défaut de le faire peut entraîner la mort, une explosion ou un incendie.</p>	

Essai de pression du gaz

Important : Il est impératif de vérifier l'étanchéité du chauffe-eau et des raccords de gaz avant de mettre l'appareil en marche.

- Si le code en vigueur stipule que les tuyaux de gaz doivent être soumis à une pression de 14 po CE (3,486 kPa) ou plus, il faut **débrancher** le chauffe-eau et le robinet d'arrêt manuel de la tuyauterie d'alimentation en gaz et obturer les tuyaux.
- Si les tuyaux de gaz doivent être soumis à une pression **inférieure** à 14 po CE (3,486 kPa), il faut **isoler** le chauffe-eau de la tuyauterie d'alimentation en gaz en fermant le robinet d'arrêt manuel.

Il est recommandé d'installer des détecteurs de gaz de combustion et de monoxyde de carbone homologués/reconnus dans toutes les applications conformément aux directives du fabricant, ainsi qu'aux codes et aux règlements locaux.

Remarque : Les tuyaux de gaz peuvent contenir de l'air qui risque d'empêcher l'allumage de la veilleuse lors de la mise en marche initiale. Un technicien de service qualifié doit purger les tuyaux de gaz après l'installation de la tuyauterie de gaz.

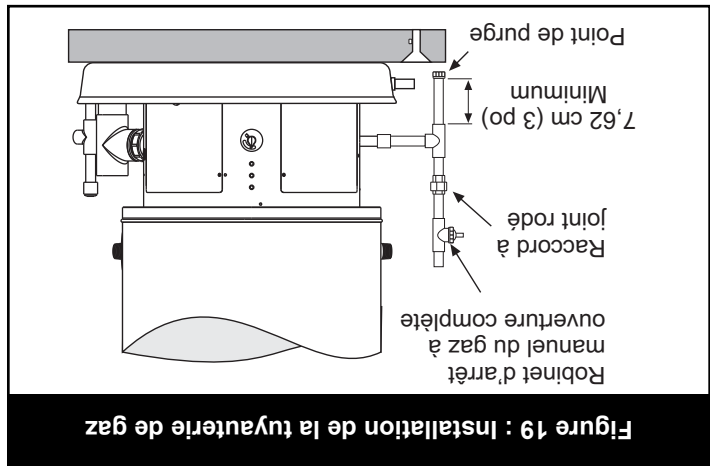


Figure 19 : Installation de la tuyauterie de gaz

Pression du gaz
Important : La pression d'alimentation en gaz ne doit pas être supérieure à la valeur maximale inscrite sur la plaque signalétique du chauffe-eau. La pression d'alimentation minimum devrait également être maintenue selon la plaque signalétique.

Risque d'explosion

Utiliser une nouvelle conduite d'alimentation en gaz approuvée par AGA ou CSA.

Installer un robinet d'arrêt

Ne pas connecter un chauffe-eau à gaz naturel à une alimentation en gaz propane liquide.

Ne pas connecter un chauffe-eau à gaz propane à une alimentation en gaz naturel.

Le non-respect de ces instructions peut entraîner la mort, une explosion, ou intoxication oxygénée.



AVERTISSEMENT

Conduite de gaz

Lire la plaque signalétique pour s'assurer que le chauffe-eau est conçu pour le type de gaz utilisé. Ces informations sont indiquées sur la plaque signalétique située à l'avant du chauffe-eau. Si cette donnée ne concorde pas avec le type de gaz disponible, ne pas installer ou utiliser le chauffe-eau. Communiquer avec le marchand.

Remarque : Le fournisseur de gaz peut ajouter un odorisant au gaz qui alimente le chauffe-eau. L'odorisant peut se dissiper après une longue période. Ne pas se fier seulement à l'odorisant pour déceler les fuites.


Cette tuyauterie de gaz doit être installée en conformité aux codes locaux et d'état ou, en l'absence de ceux-ci, à l'édition en cours du « Code national du gaz et du chauffage », ANSI Z223.1 (NFA 54). Les installations canadiennes doivent être effectuées conformément à l'édition en cours CAN/CSA-B149.1.

Remarque : Si un connecteur de gaz flexible est utilisé, s'assurer que l'étiquette de la plaque signalétique correspond ou dépasse la production du chauffe-eau.

- Suivre les instructions ci-dessous et se reporter à la Figure 19 pour l'installation de la tuyauterie de gaz.
1. Intégrer au tuyau d'alimentation en gaz un robinet d'arrêt manuel facilement accessible conformément aux recommandations des services publics locaux. Il faut connaître l'emplacement et le mode d'emploi du robinet pour pouvoir couper le gaz au besoin.
 2. Installer un point de purge tel que illustré. Le point de purge doit mesurer au moins 7,62 cm (3 po) de longueur pour recueillir les saletés, matières étrangères et gouttelettes d'eau.
 3. Installer un raccord à joint rodé entre le chauffe-eau et le robinet d'arrêt manuel. Ceci est pour rendre l'entretien plus facile.
 4. Ouvrir l'alimentation en gaz et vérifier s'il y a des fuites. Utiliser un savon sans chlorure et de l'eau (les bulles qui se forment indiquent une fuite) ou toute autre méthode approuvée.

Pour assurer la protection contre la surpression et la surchauffe, une soupape de décharge à sécurité thermique doit être installée dans l'ouverture du chauffe-eau portant la mention « T & P RELIEF VALVE ». La conception de la soupape doit être certifiée par un laboratoire d'essai national reconnu qui inspecte périodiquement la production de l'équipement ou des matériaux répertoriés pour en confirmer la conformité avec la norme ANSI Z21.22 portant sur les soupapes de décharge et les dispositifs d'arrêt automatique des systèmes à eau chaude. La soupape de décharge à sécurité thermique est conçue pour évacuer de grandes quantités d'eau en cas de surchauffe ou de surpression

Risque d'explosion



AVERTISSEMENT

- La soupape de décharge à sécurité thermique doit être conforme à la norme ANSI Z21.22/CSA 4.4 et au code ASME.
- Une soupape de décharge à sécurité thermique correctement dimensionnée doit être installée dans l'ouverture prévue à cet effet.
- Ne pas boucher, obturer ou couvrir la conduite de décharge.
- Ne pas observer cet avertissement peut entraîner une pression excessive du réservoir, des blessures graves ou la mort.

Soupape de décharge à sécurité thermique

Notes sur la Figure 18 :
 Si la température du réservoir est réglée à 48,9°C (120°F) et que l'eau est fournie pour un usage résidentiel (lavage de mains, douche, etc.), un mélangeur doit être installé dans la conduite d'eau chaude pour les appareils domestiques. L'installation doit être conforme aux exigences du code local. Si un clapet anti-retour est installé dans la conduite d'alimentation en eau froide, un réservoir de dilataion doit être installé entre le clapet anti-retour et l'arrivée d'eau froide du chauffe-eau. Régler la température du réservoir de stockage à cinq degrés en dessous du réglage de la température du chauffe-eau. À l'aide du robinet à tournant situé dans la conduite de recirculation, ajuster le débit dans la conduite de recirculation à cinq gallons par minute.

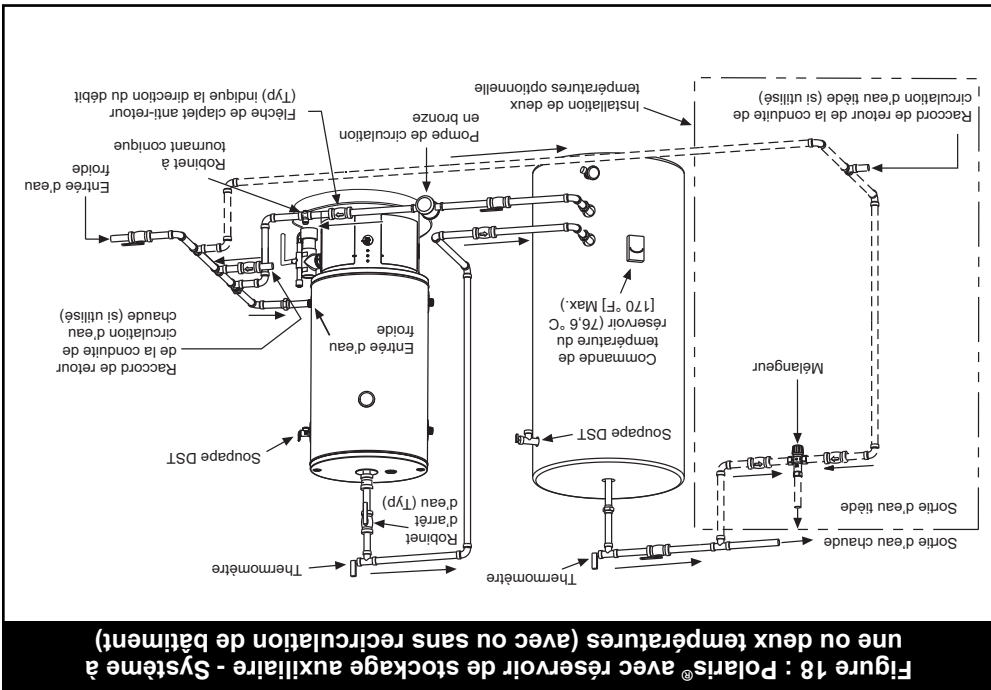


Figure 18 : Système à deux températures (avec ou sans recirculation de bâtiment) avec réservoir de stockage auxiliaire - Système à une ou deux températures

- dans le chauffe-eau. La pression de décharge de la soupape ne doit pas être supérieure à la pression de service inscrite sur la plaque signalétique du chauffe-eau.
- Important : N'installer qu'une soupape de décharge à sécurité thermique neuve sur ce chauffe-eau. Ne pas utiliser une vieille soupape ou une soupape existante, car elle peut être abîmée ou ne pas convenir à la pression de service du chauffe-eau neuf. Ne placer aucun robinet ni tuyauterie entre la soupape de décharge et le réservoir.
- Soupape de décharge à sécurité thermique :
- Ne doit pas toucher à quelque composant électrique que ce soit.
- Doit être raccordé à une conduite de décharge adéquate.
- Ne doit pas présenter une pression de service supérieure à la valeur inscrite sur la plaque signalétique du chauffe-eau.
- Le calibre BTUH de la soupape de décharge et de sécurité thermique doit être supérieur au, ou égal au débit calorifique du chauffe-eau
- Conduite de décharge :
- Ne doit pas présenter un diamètre inférieur à celui de la soupape de décharge ni être dotée d'un raccord de réduction.
- Ne doit pas être obturée, bloquée ou bouchée de quelque façon que ce soit; aucun robinet ou soupape ne doit être posé entre la soupape de décharge et l'extrémité de la conduite de décharge.
- Doit se terminer à un maximum de 15,2 cm (6 po) au-dessus d'un drain de sol ou à l'extérieur du bâtiment.
- Doit résister à une température de 121 °C (250 °F) sans déformation.
- Doit être installé de façon à assurer l'évacuation totale de la soupape et de la conduite de décharge.

- Ne pas l'utiliser avec une tuyauterie qui a été traitée avec des chromates, joints de chaudière ou autres produits chimiques et n'ajouter aucun produit chimique à la tuyauterie du chauffe-eau.
- Si ce système de chauffage des locaux a besoin de températures supérieures à 48,9 °C (120 °F), un mélangeur doit être installé conformément aux instructions du fabricant dans l'alimentation d'eau chaude potable afin de limiter les risques de blessures d'échaudure.
- Les pompes, robinets, tuyauteries et raccords doivent être compatibles avec l'eau potable.
- Un robinet de contrôle de l'écoulement bien installé est nécessaire pour prévenir le thermosiphonage. Le thermosiphonage est le résultat d'un écoulement continu d'eau à travers le circuit de traitement de l'air durant le cycle d'arrêt. Le suintement (purge de vapeur) de la soupape de décharge à sécurité thermique (DST) ou des températures d'eau plus élevées que la normale sont les premiers signes d'un thermosiphonage.
- La conduite d'eau chaude du chauffe-eau devrait avoir une trajectoire dans le plan vertical au-delà du mélangeur ou la conduite d'alimentation allant au système de chauffage afin d'éliminer les bulles d'air du système.
- Ne pas connecter le chauffe-eau à tout système ou tous composants utilisés antérieurement avec des appareils de chauffage d'eau non-potable lorsque celui-ci est utilisé pour fournir de l'eau potable.

Système de chauffage solaire

Si le chauffe-eau sert d'accumulateur solaire ou de dispositif d'appoint d'un système de chauffage solaire, la température de l'eau alimentant le réservoir du chauffe-eau peut être supérieure à 48,9 °C (120 °F). Un robinet mélangeur doit être installé sur la conduite d'alimentation en eau pour limiter la température d'alimentation à 48,9 °C (120 °F).

Remarque : Les systèmes de chauffage solaire de l'eau produisent souvent des températures d'eau d'alimentation supérieures à 82,2 °C (180 °F) qui peuvent causer le mauvais fonctionnement du chauffe-eau.

Installation du réservoir de stockage

Lors de l'installation du Polaris® avec un réservoir de stockage, consulter la Figure 18 pour des suggestions de tuyauterie.

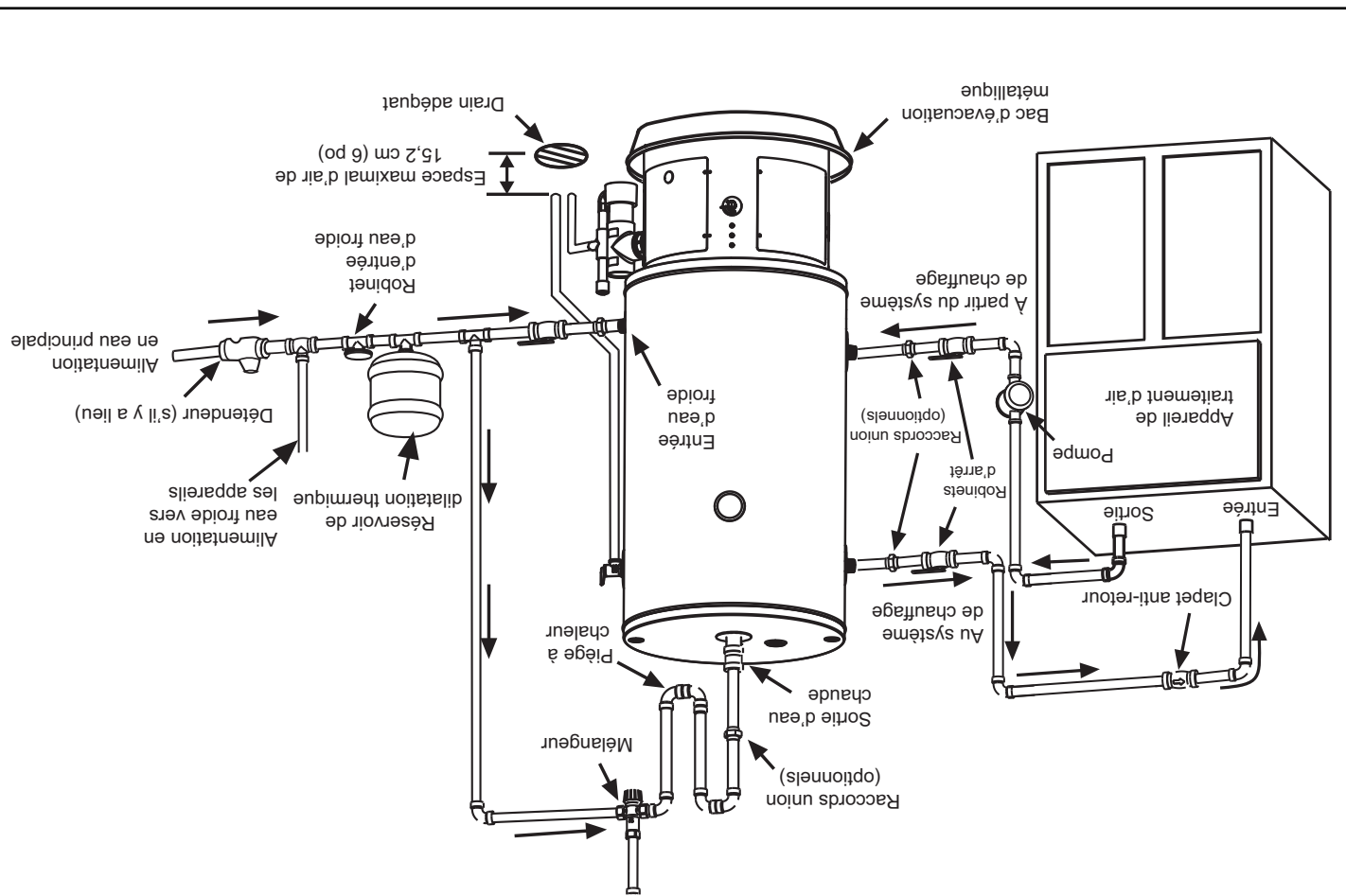


Figure 17 : Installation de la tuyauterie de l'appareil de traitement de l'air

- Les tuyauteries, raccords et robinets d'eau doivent être bien installés pour que le fonctionnement de ce chauffe-eau soit correct et sécuritaire. Voici quelques consignes à observer :
- Le système ne doit être installé qu'avec de la tuyauterie convenant à l'eau potable, p. ex., en cuivre, en polyéthylène réticulé, en CPVC ou en polybutylène. La tuyauterie d'eau en PVC peut être utilisée sur l'alimentation d'arrivée d'eau froide mais pas à l'intérieur de 45,7 cm (18 po) de la connexion d'eau froide sur le chauffe-eau.
- Ne pas utiliser la tuyauterie en PVC sur la sortie d'eau chaude, l'alimentation de chauffage de locaux, ou le retour de chauffage de locaux.
- Ne pas utiliser des pompes, soupapes, robinets et raccords qui ne sont pas compatibles avec l'eau potable.
- Ne pas utiliser des robinets qui risquent de restreindre excessivement le débit d'eau. Utiliser uniquement un clapet à bille ou une vanne de régulation à plein débit.
- Ne pas utiliser de la brasure 50/50 étain-plomb (ou toute brasure à base de plomb) dans les conduites d'eau potable. Utiliser de la brasure 95/5 ou autre matériau équivalent.
- Ne pas modifier le thermostat, le robinet de gaz, le ventilateur, les composants électriques ou la soupape de décharge et de sécurité thermique. Modifier l'un des composants est dangereux et peut entraîner la mort, des blessures ou des dommages matériels. Les modifications annulent automatiquement toutes garanties. Seulement des techniciens qualifiés devraient réparer ces composants.
- Ne pas utiliser ce chauffe-eau comme remplacement de toute autre installation de chaudière existante.
- Ne pas utiliser avec des tuyaux chromates, enduits d'un agent d'étanchéité de chaudière ou d'autres produits chimiques.
- N'ajouter aucun produit chimique à la tuyauterie du système, ce qui contaminerait l'alimentation en eau potable.

Installation du mélangeur

Un mélangeur a été fourni afin qu'il soit utilisé avec le chauffe-eau au gaz Polaris® et il doit être installé selon les instructions du fabricant, dans la conduite d'eau chaude résidentielle. Voir la Figure 16 pour l'installation d'un modèle de robinet mélangeur.

Informations générales

- Afin de limiter les effets dommageables de la dilatation thermique, tout système en circuit fermé doit être muni d'un réservoir de dilatation de volume adéquat. S'adresser à une entreprise en plomberie ou votre fournisseur pour l'installation d'un réservoir d'expansion thermique. Le fabricant de ce chauffe-eau annule la garantie en l'absence de l'installation d'un vase d'expansion bien dimensionné.
- Certains modèles de chauffe-eau sont équipés de connexions d'entrée/de sortie pour une utilisation dans les applications de chauffage des locaux. **Remarque** : ce chauffe-eau, approprié pour une combinaison de chauffage d'eau (potable) et chauffage des locaux mais ne convient pas pour les applications de chauffage des locaux uniquement. Si ce chauffe-eau doit être utilisé pour fournir aussi bien un chauffage des locaux qu'un chauffage de l'eau potable (pour boire), les instructions indiquées ci-dessous doivent être suivies (voir Figure 17).
- S'assurer de suivre le ou les manuels expédiés avec l'appareil de traitement de l'air ou autre type de système de chauffage.
- Ce chauffe-eau ne doit pas être utilisé comme remplacement de toute autre installation de chaudière existante.

Combinaison d'un système de chauffage des locaux et de chauffage d'eau potable

Système en circuit fermé/dilatation thermique

Lorsque l'eau est chauffée, son volume augmente (dilatation thermique). Dans un système en circuit fermé, le volume d'eau augmentera. Au fur et à mesure que le volume d'eau augmente, une augmentation correspondante se produit dans la pression d'eau en raison de l'expansion thermique. La dilatation thermique peut entraîner une déaération prématurée du chauffe-eau (fuite). Ce type de déaération n'est pas couvert sous la garantie limitée. La dilatation thermique et la pression excessive dans le système peuvent aussi provoquer l'ouverture intermittente de la soupape de décharge à sécurité thermique. La soupape de décharge constante de l'expansion thermique. Cette condition n'est pas couverte sous la garantie limitée.

Afin de limiter les effets dommageables de la dilatation thermique, tout système en circuit fermé doit être muni d'un réservoir de dilatation de volume adéquat. S'adresser à une entreprise en plomberie ou votre fournisseur pour l'installation d'un réservoir d'expansion thermique. Le fabricant de ce chauffe-eau annule la garantie en l'absence de l'installation d'un vase d'expansion bien dimensionné.

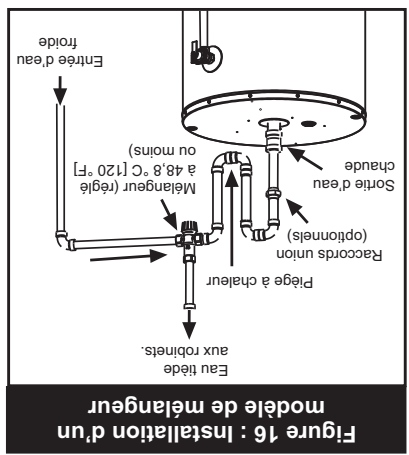
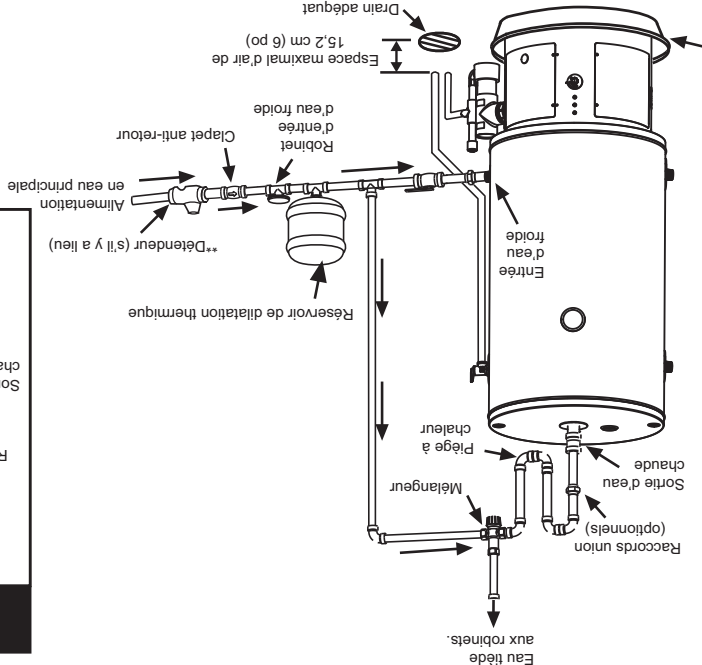


Figure 16 : Installation d'un modèle de mélangeur



REMARQUES :

** Un détendeur doit être installé sur la conduite d'arrivée d'eau froide principale à la structure afin de réduire la pression dans l'ensemble du système d'eau.

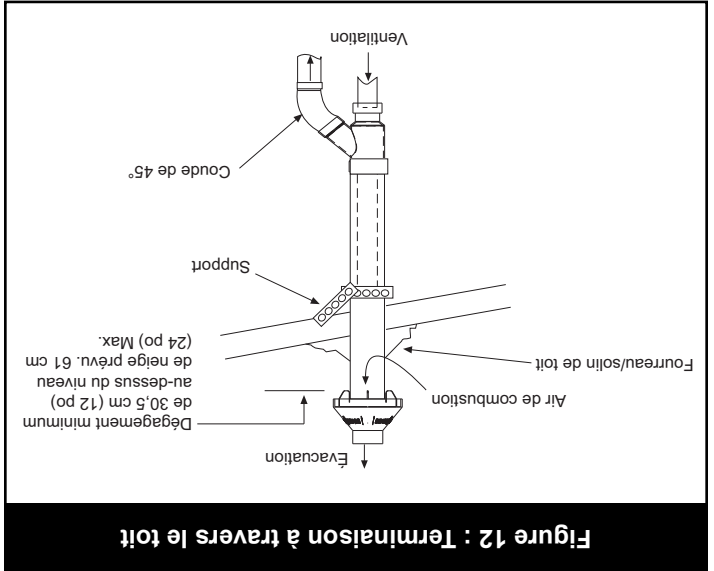
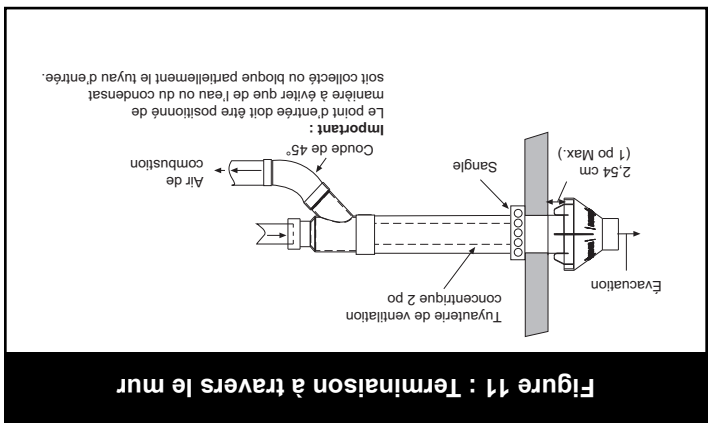
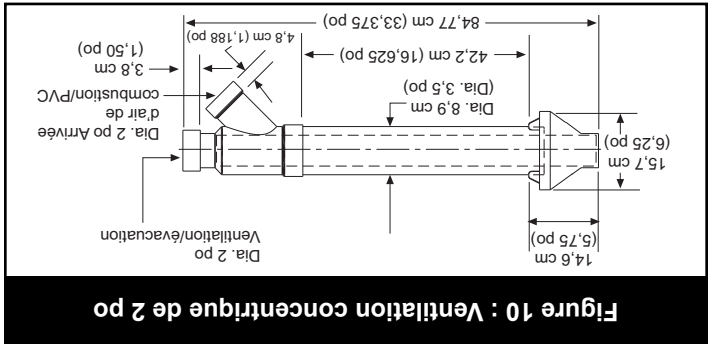
✓ Vérifier les codes locaux

Figure 15 : Installation type de tuyauterie à système à une température

TERMINAISONS DE VENTILATION CONCENTRIQUES

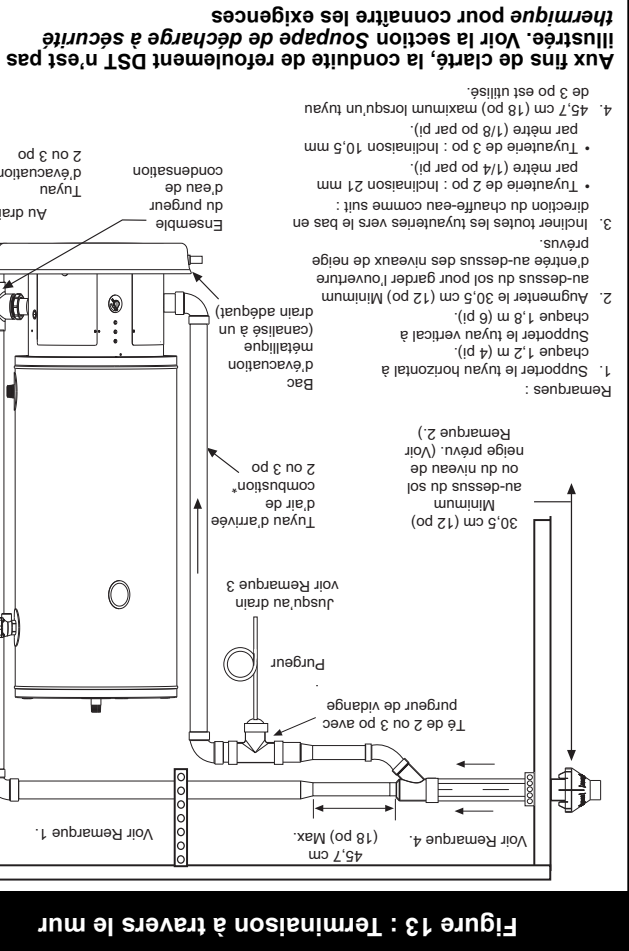
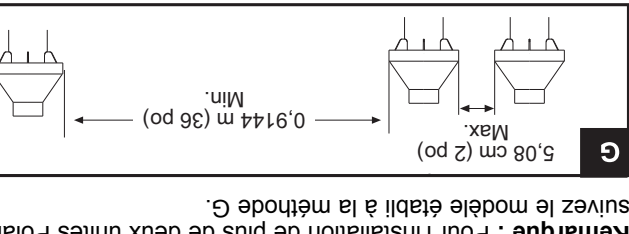
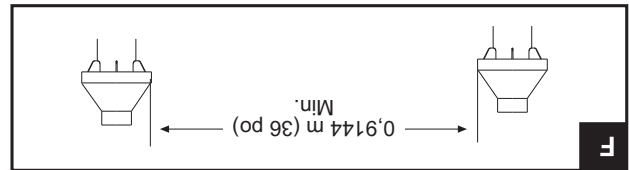
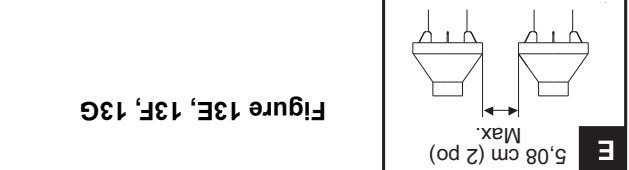
Pour les nouvelles installations, on peut utiliser les terminaisons de ventilation concentrique en PVC ou CPVC de 2 po ou 3 po homologuées ULCS636. Voir les instructions du fabricant relatives à la terminaison de ventilation pour obtenir les informations complètes sur l'installation ou communiquer avec le service à la clientèle au 1-888-479-8324 ou au techsupport@hotwater.com. Pour des raisons de planification, voir les Figures 10 à 13 ci-dessous pour connaître les spécifications des bouches de ventilation.

Remarque : Pour les installations de remplacement, les trousseaux de ventilation concentrique American Water Heater Company fournis et installés précédemment sont acceptables pour utilisation avec les modèles 100,000-130,000 BTU/Hr seulement.



Chaudières-eau multiples à ventilation concentrique (tous les modèles)

Lors de l'utilisation de deux (2) unités Polaris® installer les terminaisons de ventilation en utilisant la Méthode E ou la Méthode F indiquées ci-dessous :



Aux fins de clarté, la conduite de retournement DST n'est pas illustrée. Voir la section Souape de décharge à sécurité thermique pour connaître les exigences

1. Supporter le tuyau horizontal à chaque 1,2 m (4 pi).
2. Augmenter le 30,5 cm (12 po) Minimum au-dessus du sol pour garder l'ouverture d'entrée au-dessus des niveaux de neige prévus.
3. Incliner toutes les tuyauteries vers le bas en direction du chauffe-eau comme suit :
 - Tuyauterie de 2 po : Inclinaison 21 mm par mètre (1/4 po par pi).
 - Tuyauterie de 3 po : Inclinaison 10,5 mm par mètre (1/8 po par pi).
4. 45,7 cm (18 po) maximum lorsqu'un tuyau de 3 po est utilisé.

Remarques :

- 1. Supporter le tuyau horizontal à chaque 1,2 m (4 pi).
- 2. Augmenter le 30,5 cm (12 po) Minimum au-dessus du sol pour garder l'ouverture d'entrée au-dessus des niveaux de neige prévus.
- 3. Incliner toutes les tuyauteries vers le bas en direction du chauffe-eau comme suit :
 - Tuyauterie de 2 po : Inclinaison 21 mm par mètre (1/4 po par pi).
 - Tuyauterie de 3 po : Inclinaison 10,5 mm par mètre (1/8 po par pi).
- 4. 45,7 cm (18 po) maximum lorsqu'un tuyau de 3 po est utilisé.

Remarque : Pour l'installation de plus de deux unités Polaris® suivez le modèle établi à la méthode G.

TERMINAISON VERTICALES

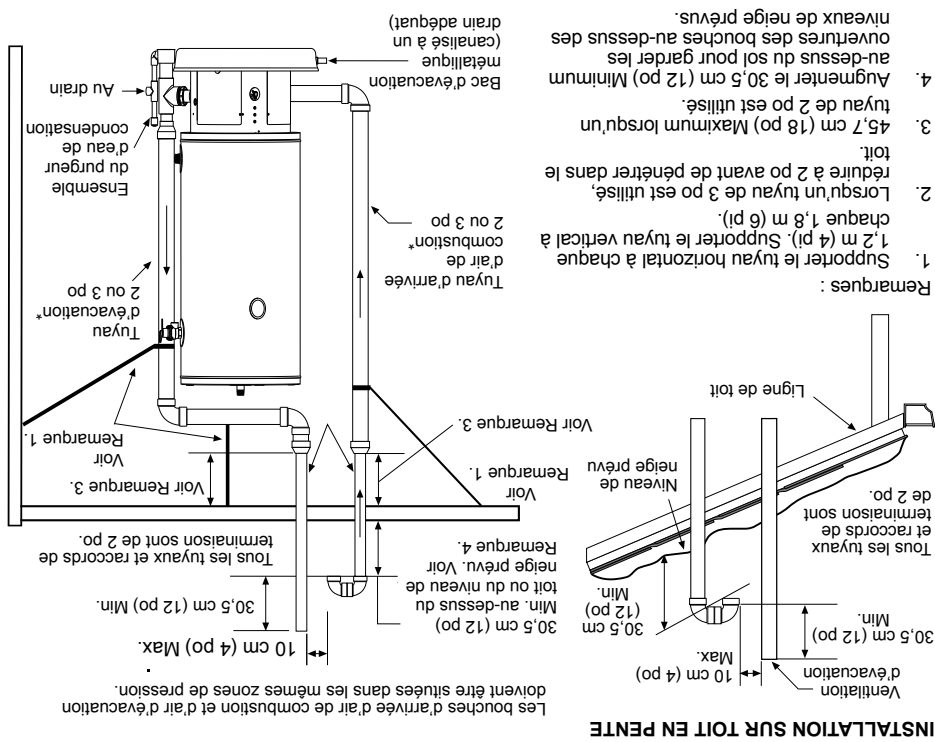
Lorsqu'un tuyau de 3 po est utilisé entre le chauffe-eau et le toit, le réduire à 2 po avant de le faire pénétrer dans le toit. Un maximum de 47,7 cm (18 po) d'un tuyau de 2 po peut être utilisé entre la transition de 3 po et l'intérieur du toit.

La bouche d'arrivée d'air verticale nécessite un coude en U ou deux coudes à rayon court ou long de 90 afin de garder l'entrée vers le bas et prévenir l'entrée de la pluie. Ces coudes sont considérés comme faisant partie de la terminaison et ne devraient pas être inclus lors du calcul de la longueur maximale permise du tuyau de ventilation. Se reporter à la Figure 9 pour connaître le bon emplacement de l'arrivée d'air relativement à la terminaison de sortie d'évacuation. La terminaison de sortie d'évacuation verticale est un tuyau de 2 po qui se termine à au moins 30,5 cm (12 po) au-dessus de la terminaison d'arrivée d'air.

Les terminaisons d'arrivée d'air et de sortie d'évacuation doivent être à 30,5 cm (12 po) au moins au-dessus de la ligne du toit ou des niveaux de neige prévus. Voir Figure 9 ci-dessous.

Remarque : Voir « Ventilation d'unités additionnelles Polaris® » ci-dessous avant d'installer plus d'un chauffe-eau au gaz Polaris®.

Figure 9 : Terminaison verticale



Ventilation d'unités additionnelles Polaris®

Lors de l'utilisation de deux (2) unités Polaris® installer les terminaisons de ventilation en utilisant la Méthode A ou la Méthode B indiquées ci-dessous :

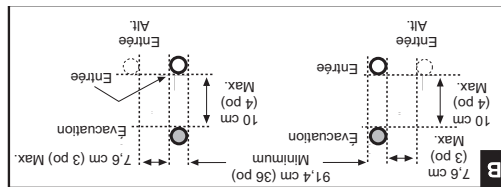
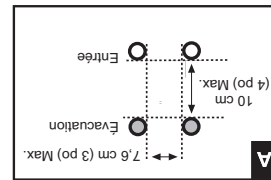


Figure 9A, 9B

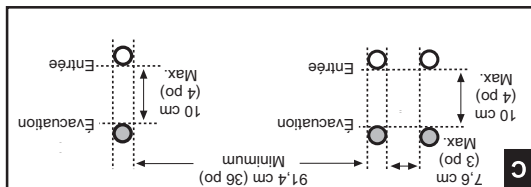
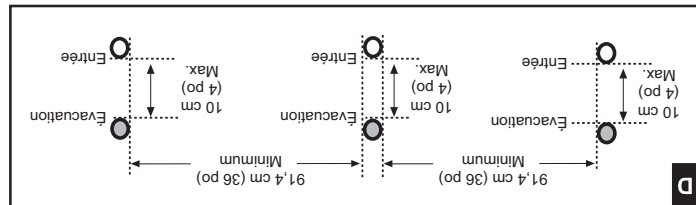


Figure 9C, 9D

Lors de l'utilisation de trois unités Polaris® ou plus, installer les terminaisons de ventilation en utilisant la Méthode C ou la Méthode D :



Terminaison horizontale standard

Lorsqu'un tuyau de 3 po est utilisé entre le chauffe-eau et le mur extérieur, le réduire à 2 po avant de le faire pénétrer dans le mur. Un maximum de 47,7 cm (18 po) d'un tuyau de 2 po peuvent être utilisés entre la transition de 3 po et l'intérieur du mur (voir Figure 7).

La terminaison d'arrivée d'air horizontale standard est un tuyau de 2 po qui se termine au mur extérieur et utilise un accouplement pour prévenir le tuyau d'être repoussé dans la structure. La terminaison de sortie d'évacuation horizontale standard est un tuyau de 2 po qui se termine à 30,5 cm (12 po) à partir du mur extérieur. L'arrivée d'air doit être située afférente à la sortie d'évacuation tel que illustré dans la Figure 7 (dessus).

Installer un ensemble de T de vidange et un purgeur dans l'évent d'entrée aussi proche du chauffe-eau que possible. Ceci est pour vider toute eau pouvant se trouver dans le tuyau d'air de combustion et l'empêcher d'entrer dans le ventilateur. Connecter la conduite de vidange du purgeur à un drain convenable ou en aval du purgeur d'eau de condensation du chauffe-eau.

Remarque : Voir « Ventilation d'unités additionnelles Polaris® » à la page 11 pour connaître les bonnes terminaisons si vous voulez installer plus d'un chauffe-eau au gaz Polaris®.

Terminaison horizontale alternative

Les terminaisons d'arrivée d'air de combustion et de sortie d'évacuation peuvent être levées à 61 cm (24 po) au-dessus des pénétrations du mur si nécessaire pour les niveaux de neige prévus (voir Figure 8). Les deux courbes illustrées à la Figure 8 sont considérées comme faisant partie de la terminaison et ne devraient pas être inclus au moment de déterminer la longueur maximale permise du tuyau de ventilation.

Remarque : Voir « Ventilation d'unités additionnelles Polaris® » à la page 11 pour connaître les bonnes terminaisons si vous voulez installer plus d'un chauffe-eau au gaz Polaris®.

Figure 8 : Terminaison horizontale alternative

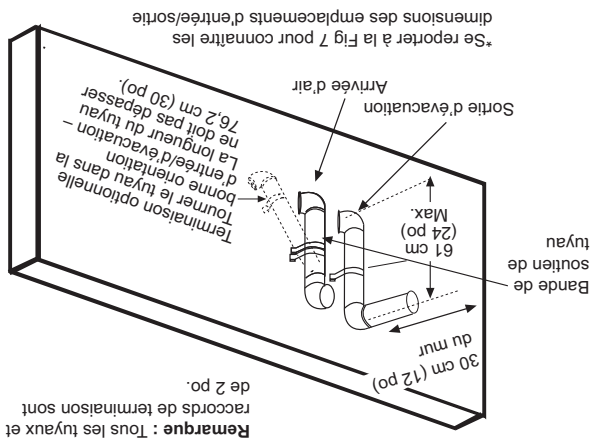
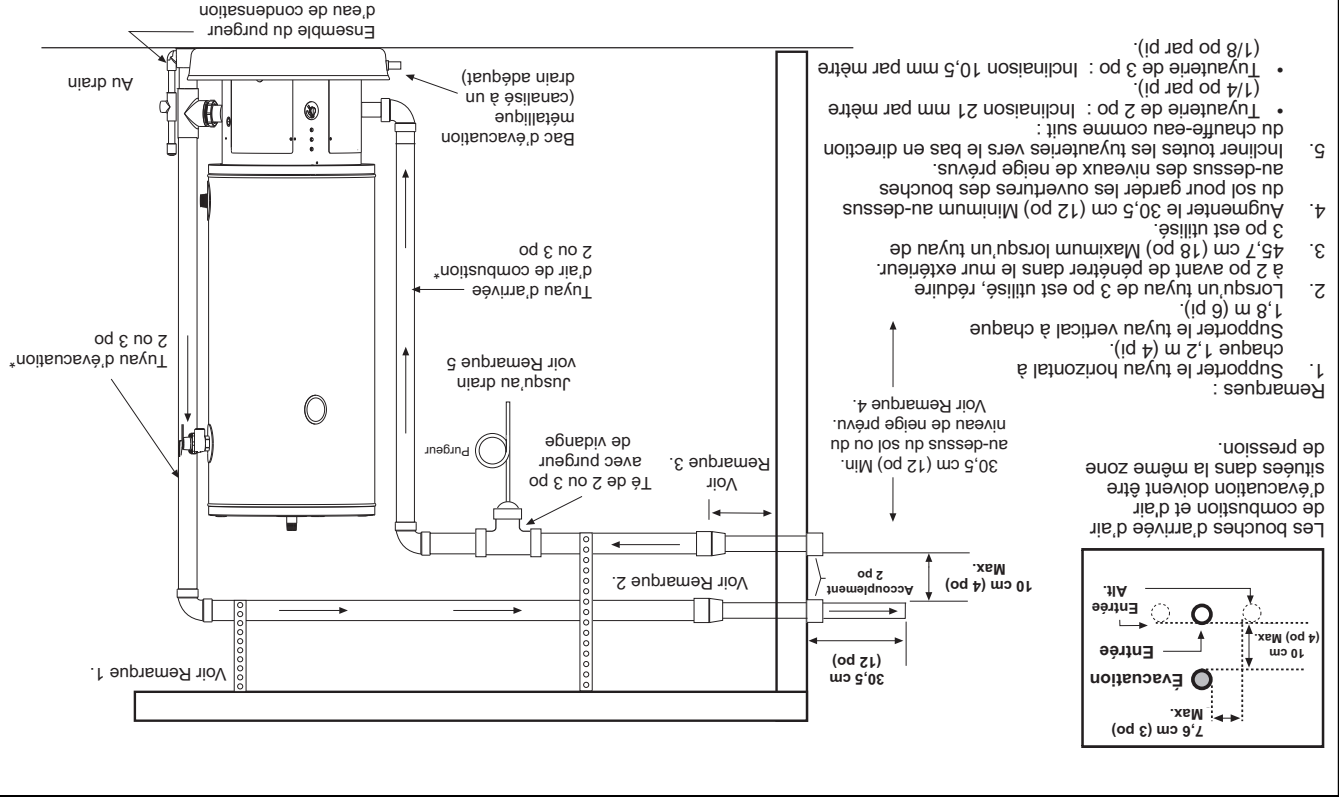
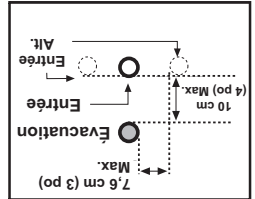


Figure 7 : Terminaison horizontale standard



1. Supporter le tuyau horizontal à chaque 1,2 m (4 pi).
2. Supporter le tuyau vertical à chaque 1,2 m (4 pi).
3. Lorsqu'un tuyau de 3 po est utilisé, réduire à 2 po avant de pénétrer dans le mur extérieur.
4. Augmenter le 30,5 cm (12 po) Minimum au-dessus du sol pour garder les ouvertures des bouches au-dessus des niveaux de neige prévus.
5. Incliner toutes les tuyauteries vers le bas en direction du chauffe-eau comme suit :
 - Tuyauterie de 2 po : Inclinaison 21 mm par mètre (1/4 po par pi).
 - Tuyauterie de 3 po : Inclinaison 10,5 mm par mètre (1/8 po par pi).

Les bouches d'arrivée d'air de combustion et d'air d'évacuation doivent être situées dans la même zone de pression.



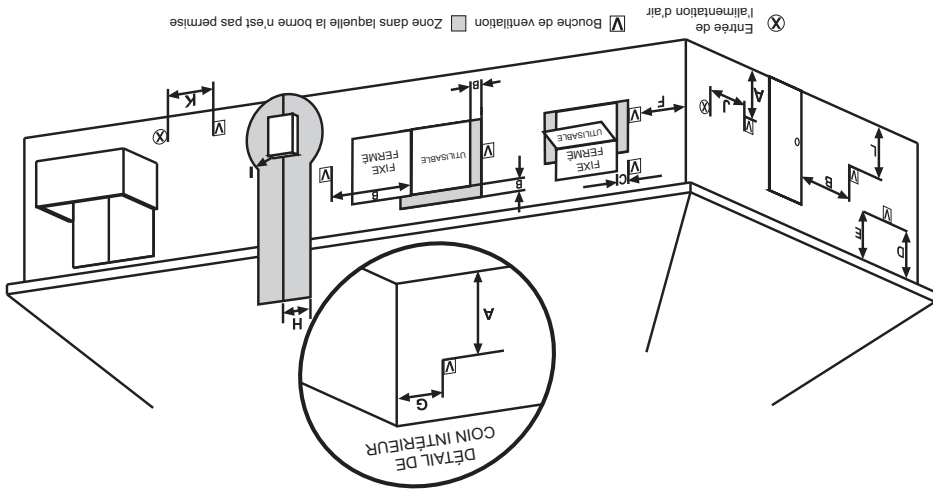
Emplacements de la terminaison de ventilation

L'arrivée d'air et la sortie d'évacuation doivent être installés avec les dégagements minimums suivants (voir Figure 6) :

- 30 cm (12 po) au-dessus du sol ou du niveau de neige maximum prévu.
 - 30 cm (12 po) à partir de toute ouverture à travers laquelle le gaz de carneau pourrait entrer dans la structure.
 - 122 cm (4 pi) horizontalement et verticalement à partir des compteurs de gaz ou électriques, des régulateurs de gaz, des évacuateurs de gaz, des hottes à évacuation, des airs de soufflante de la salle de bain, des ventilateurs de grenier et des turbines.
 - 61 cm (2 pi) à partir d'un coin intérieur formé par deux murs extérieurs.
 - 61 cm (2 pi) à partir des vérandas, terrasses, surplombs et autres obstructions.
- En plus de maintenir des dégagements minimums, l'événement devrait se terminer selon les directives suivantes :

1. Utiliser seulement un tuyau de 2 po ou un événement concentrique de 2 po sur la terminaison d'événement pour les modèles de 100,000 - 150,000 BTU/hr. Ne pas exposer tout raccord de réduction ou bague de 3 po X 2 po aux températures ambiantes extérieures.
2. Lors de la terminaison d'un événement sous une véranda, une terrasse ou une galerie, la ventilation doit être installée conformément à tous les codes locaux et provinciaux ou, CAN/CSA B149.1 Section 8.14.8.
3. Un événement ne peut pas être terminé à moins de 2,1 m (7 pi) au-dessus d'un trottoir revêtu ou d'une voie d'accès revêtu située sur une propriété publique.
4. Un événement ne peut pas être terminé dans une zone où des enfants ou des animaux pourraient bloquer les tuyaux.
5. Un événement ne peut pas être terminé dans un endroit très proche d'arbustes ou de buissons.
6. Caffeuter toutes les fissures, bavures et joints en dedans de 1,83 m (6 pi) horizontalement au-dessus et en dessous de l'événement.
7. Les bouches d'arrivée d'air de combustion et d'air d'évacuation doivent être situées dans la même zone de pression.

Figure 6 : Dégagements minimum pour l'événement d'arrivée/de sortie et concentrique



Installations pour les États-Unis

- 30 cm (12 po) de dégagement minimum au-dessus du sol, de la véranda, de la terrasse, de la galerie, du balcon ou du niveau de neige maximum prévu.
- Minimum 30 cm (12 po) de dégagement minimum au-dessus et sur le côté d'une fenêtre ou d'une porte qui peut être ouverte. Maintenir un dégagement minimum 91 cm (36 po) en dessous d'une fenêtre ou d'une porte qui peut être ouverte.
- Dégagement d'une fenêtre fermée en permanence.**
- Dégagement vertical minimum de 30 cm (12 po) d'un soffite ventilé situé au-dessus de la terminaison à une distance horizontale de 61 cm (2 pi) de la ligne médiane de la terminaison.
- Dégagement minimum de 30 cm (12 po) d'un soffite non ventilé.
- Dégagement d'un coin extérieur.**
- Dégagement de 61 cm (2 pi) à partir d'un coin intérieur formé par deux murs extérieurs.
- Dégagement de 122 cm (4 pi) de chaque côté de la ligne médiane se prolongeant au-dessus de l'ensemble compteur/régulateur.
- Dégagement de 122 cm (4 pi) de la sortie de ventilation de détendeur de service.
- Dégagement de 30 cm (12 po) d'alimentation en air non mécanique au bâtiment ou de l'arrivée d'air de combustion vers tout autre appareil.
- 91 cm (3 pi) au-dessus d'une entrée d'alimentation en air mécanique en dedans de 3 m (10 pi) horizontalement.
- **Dégagement conforme aux codes d'installation locaux et exigences du fournisseur de gaz.

Installations pour le Canada

- 30 cm (2 po) de dégagement minimum au-dessus du sol, de la véranda, de la terrasse, de la galerie, du balcon ou du niveau de neige maximum prévu.
- Minimum 30 cm (12 po) de dégagement minimum au-dessus et sur le côté d'une fenêtre ou d'une porte qui peut être ouverte. Maintenir un dégagement minimum de 91 cm (36 po) en dessous d'une fenêtre ou d'une porte qui peut être ouverte.
- Dégagement d'une fenêtre fermée en permanence.**
- Dégagement vertical minimum de 30 cm (12 po) d'un soffite ventilé situé au-dessus de la terminaison à une distance horizontale de 61 cm (2 pi) de la ligne médiane de la terminaison.
- Dégagement minimum de 30 cm (12 po) d'un soffite non ventilé.
- Dégagement d'un coin extérieur.**
- Dégagement de 61 cm (2 pi) à partir d'un coin intérieur formé par deux murs extérieurs.
- 91 cm (3 pi) dans une hauteur de 4,57 m (15 pi) au-dessus de l'ensemble compteur/régulateur.
- Dégagement de 122 cm (4 pi) de la sortie de ventilation de détendeur de service.
- Dégagement de 30 cm (12 po) d'alimentation en air non mécanique au bâtiment ou de l'arrivée d'air de combustion vers tout autre appareil.
- Dégagement de 1,83 m (6 pi) d'une entrée d'alimentation en air mécanique.
- **Dégagement conforme aux codes d'installation locaux et exigences du fournisseur de gaz.

Matériau du tuyau de ventilation

Tuyauterie d'arrivée d'air de combustion: Les tuyauteries d'évacuation en plastique PVC ou CPVC doivent être certifiées et marquées comme étant conformes à la norme pour le type de réseau de ventilation au gaz BH ULC-S636. De plus, la tuyauterie en plastique, les composants en plastique et les colles doivent provenir de même et unique fabricant et ne doivent pas être mélangés à d'autres systèmes homologués ou non homologués. **IMPORTANT:** Suivre tous les codes locaux ou, en l'absence de pareils codes, à l'édition courante du Code d'installation du gaz naturel et du propane CAN/CSA-B149.1 pour installer correctement la tuyauterie d'évacuation.

- Norme PVC 40
- Norme 40 ou 80 CPVC
- Seuls les tuyaux DWV et les tuyaux à centre cellulaire en mousse sont acceptables comme tuyau d'entrée.

Tuyauterie d'arrivée d'air de combustion: Les matériaux en plastique suivants peuvent être utilisés pour la tuyauterie d'arrivée d'air de combustion. **IMPORTANT:** Suivre tous les codes locaux ou, en l'absence de pareils codes, à l'édition courante du Code d'installation du gaz naturel et du propane CAN/CSA-B149.1 pour installer correctement la tuyauterie d'arrivée d'air de combustion.



Installation du tuyau de ventilation

Les directives suivantes devraient être suivies lors de l'installation de la tuyauterie d'air et de la tuyauterie d'évacuation :

- La ventilation devrait être aussi directe que possible avec un nombre minimal de raccords de tuyauterie.
- Le diamètre de l'évent ne doit pas être réduit sauf si spécifiquement indiqué dans les instructions d'installation.
- Toutes les tuyauteries d'évent horizontales de 2 po doivent être inclinées vers le haut 21 mm par mètre (1/4 de po par pi); (la tuyauterie de 3 po doit être inclinée vers le haut à 10,5 mm par mètre [1/8 po par pi]). Ceci permettra au condensat d'être réacheminé au chauffe-eau et de sortir à travers le purgeur de condensat.
- Supporter toutes les canalisations horizontales à tous les 1,2 m (4 pi) et toutes les canalisations verticales à tous les 1,8 m (6 pi) ou selon les codes locaux.
- Les événements qui passent à travers des espaces naturels ou des températures en dessous du seuil de congélation sont prévues doivent être bien isolés pour prévenir la congélation. Pour les canalisations horizontales, enveloppez le tuyau de ventilation avec du ruban thermique reconnu/homologué à l'échelle nationale et/ou avec une isolation approuvée pour une protection contre la congélation. Installer selon les instructions du fabricant.
- Un filtre d'entrée d'air est inclus avec l'unité et doit être installé selon les instructions d'installation fournies avec le filtre.

La terminaison et la tuyauterie d'arrivée d'air de combustion et d'évacuation peuvent être installées dans l'un des types de terminaison suivants :

1. Horizontal standard (2 tuyaux)
2. Horizontal alternatif (2 tuyaux)

* Le tuyau de 3 po doit être utilisé pour une entrée de 175,000 BTU/HR (51,29 kW) et plus.

Dimension du tuyau en po	Nombre de coudes de 90° (balayage court ou long seulement)					
	0	1	2	3	4	5
Longueur maximale permise en pieds (mètres) du tuyau d'évacuation et du tuyau d'entrée d'air pour la norme 40 de tuyaux et raccords CPVC, ou PVC.	15,8	14,6	13,4	12,2	11	9,7
Option de terminaison	S/O	S/O	S/O	S/O	Horizontal	Horizontal
2* 2* 2* 2*	15,8 (52)	14,6 (48)	13,4 (44)	12,2 (40)	11 (36)	9,7 (32)
3	38,1 (125)	36,6 (120)	35 (115)	33,5 (110)	32 (105)	30,5 (100)
3	S/O	S/O	S/O	S/O	Horizontal	Horizontal
3	38,1 (125)	36,6 (120)	35 (115)	33,5 (110)	32 (105)	30,5 (100)
3	S/O	S/O	S/O	S/O	Horizontal	Horizontal
3	38,1 (125)	36,6 (120)	35 (115)	33,5 (110)	32 (105)	30,5 (100)
3	S/O	S/O	S/O	S/O	Horizontal	Horizontal
3	38,1 (125)	36,6 (120)	35 (115)	33,5 (110)	32 (105)	30,5 (100)
3	S/O	S/O	S/O	S/O	Horizontal	Horizontal

Longueur du tuyau de ventilation

1. Couper le carré à l'extrémité du tuyau et enlever tous les bords et bavures déchiquetés. S'assurer que l'intérieur du tuyau est propre et dépourvu de débris de forage et de débris meubles. Chanfreiner l'extrémité et appliquer une couche d'appât au raccord et au tuyau.
 2. À l'aide d'un grade convenable de ciment de tuyau, appliquer une couche égale et modérée à l'intérieur du raccord. Appliquer une quantité libérale de ciment à l'extérieur du tuyau à la profondeur de la douille.
 3. **Remarque :** Il est important de choisir le ciment de tuyau qui convient au type de tuyau en plastique utilisé. Assembler les pièces rapidement alors que le ciment est encore humide. Tourner le tuyau 1/4 de tour durant l'insertion et maintenir pendant 30 secondes.
- Tous les joints dans la tuyauterie d'entrée et de sortie doivent être bien cimentés. Dimensionner et couper toute la tuyauterie avant de procéder au cimentage.
1. Couper le carré à l'extrémité du tuyau et enlever tous les bords et bavures déchiquetés. S'assurer que l'intérieur du tuyau est propre et dépourvu de débris de forage et de débris meubles. Chanfreiner l'extrémité et appliquer une couche d'appât au raccord et au tuyau.
2. À l'aide d'un grade convenable de ciment de tuyau, appliquer une couche égale et modérée à l'intérieur du raccord. Appliquer une quantité libérale de ciment à l'extérieur du tuyau à la profondeur de la douille.
3. **Remarque :** Il est important de choisir le ciment de tuyau qui convient au type de tuyau en plastique utilisé. Assembler les pièces rapidement alors que le ciment est encore humide. Tourner le tuyau 1/4 de tour durant l'insertion et maintenir pendant 30 secondes.

1. Déterminer le type de terminaison et la grandeur du tuyau.
2. Déterminer le nombre de coudes dans le tuyau d'évacuation. Ne pas inclure les coudes dans la terminaison ou le purgeur de condensat. Le nombre correspondant indique la longueur maximale du tuyau d'évacuation.
3. Déterminer le nombre de coudes dans le tuyau d'arrivée. Ne pas inclure les coudes dans la terminaison. Le nombre correspondant indique la longueur maximale du tuyau d'arrivée.

Dimensionner les tuyaux d'évacuation et d'arrivée d'air de combustion tel que précisé dans le Tableau 1. Ce tableau indique la longueur maximale permise en pieds des tuyaux d'évacuation et d'arrivée d'air de combustion par rapport au nombre de coudes et de terminaisons requis. Les longueurs maximales spécifiées sont pour les réseaux des tuyaux d'évacuation et d'arrivée séparés et non pas pour la longueur combinée des deux réseaux. La longueur minimale du tuyau est de 1,8 m (6 pi) avec un coude par côté.

Remarques :

1. N/A - Non applicable
2. Les longueurs maximales ci-dessus sont pour les réseaux des tuyaux d'évacuation et d'arrivée séparés et non pas pour la longueur combinée des deux réseaux.
3. 6 coudes au maximum peuvent être utilisés par tuyau. Utiliser seulement les coudes à 90°. Voir Figure 5 pour les détails.
4. Deux coudes à 45° sont considérés équivalents à un coude à 90°.
5. La longueur minimale est de 1,8 m (6 pi) par tuyau avec un coude par côté.
6. Un tuyau de 2 po peut être utilisé avec les modèles ayant une entrée de 100,000, 130,000 et 150,000 BTU/HR (29,3, 38, et 43,9 kW) seulement.

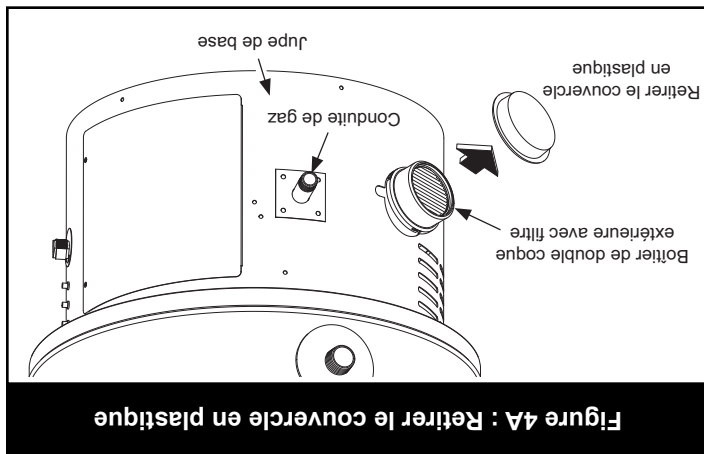


Figure 4A : Retirer le couvercle en plastique

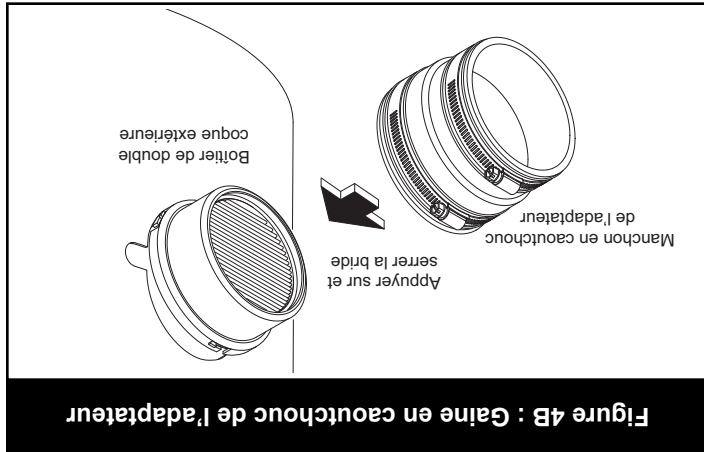


Figure 4B : Gaine en caoutchouc de l'adaptateur

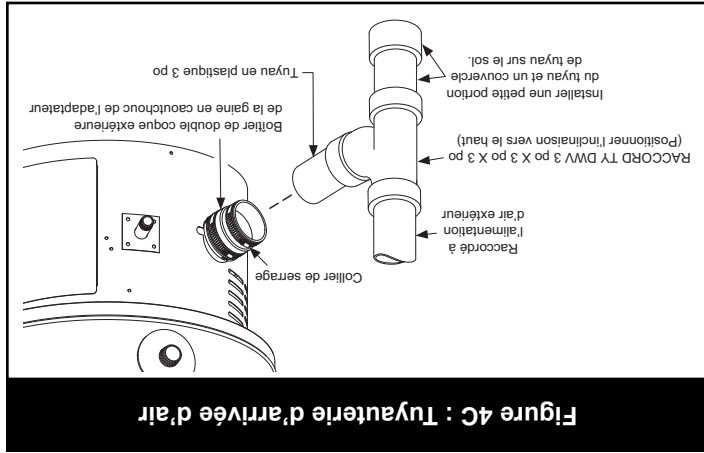


Figure 4C : Tuyauterie d'arrivée d'air

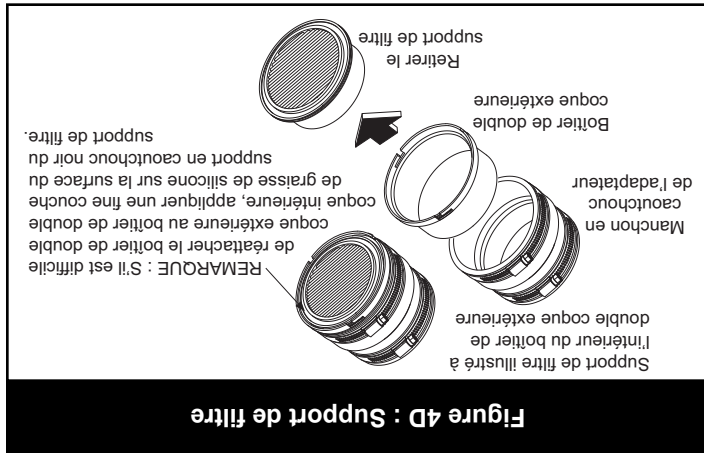


Figure 4D : Support de filtre

Installation du filtre intégré

Lors de l'installation de le manchon en caoutchouc de l'adaptateur, noter les points suivants :

- Enlever et jeter le bouchon en plastique du boîtier de la double coque extérieure (voir Figure 4A).
- Pour connecter le chauffage à l'arrivée d'air, utiliser le manchon en caoutchouc de l'adaptateur d'évent fourni dans la jupe de base. Le manchon en caoutchouc de l'adaptateur est conçu pour une ventilation de 3 po (voir Figure 4B).
- **Remarque :** S'il est nécessaire d'avoir une ventilation de 2 po, utiliser alors un tuyau et des conduits en plastiques pour une transition vers le bas.
- Desserrer le collier de serrage sur le manchon en caoutchouc de l'adaptateur et glisser la tuyauterie en plastique dans le manchon en caoutchouc de l'adaptateur. Une fois la tuyauterie en place, serrer le collier de serrage. Installer un raccord d'évent/vidange/d'évacuation pour piéger tous particules en suspension dans l'air (voir Figure 4C).
- **Remarque :** Si la tuyauterie a été déjà coupée avec une scie, s'assurer de retirer toutes les bavures et rabotures en plastique de la tuyauterie avant l'installation.

Entretien préventif

Le chauffe-eau est conçu de sorte à s'arrêter si l'interrupteur de pression détecte que l'évent d'arrivée d'air ou l'évent d'évacuation est restreint. Dans ce cas-ci, l'interrupteur de pression s'ouvrira et le chauffe-eau générera un code à 2 chiffres (voir la section de dépannage). Si la section de dépannage de ce manuel indique qu'il y a un blocage, prendre note de ce qui suit :

- Couper l'alimentation en gaz du chauffe-eau en fermant le robinet d'arrêt manuel, et couper le courant qui alimente le chauffe-eau.
- Pour inspecter le filtre, desserrer le collier de serrage sur la gaine en caoutchouc de l'adaptateur et glisser la tuyauterie en plastique en dehors et loin de la gaine en caoutchouc de l'adaptateur (voir Figure 4 C).
- Retirer la gaine en caoutchouc de l'adaptateur contenant le boîtier de la double coque extérieure en tournant dans le sens horaire environ 1/2" (30,5 cm) et en retirant le boîtier de la double coque intérieure (voir Figure 4C).
- À l'aide de vos doigts ou un petit tournevis à lame plate, retirer le support du filtre du boîtier de la double coque externe, et manipuler avec prudence (voir Figure 4D).
- Pour nettoyer le filtre, taper légèrement l'arrière du support du filtre pour déloger tous les grands débris. Les plus petits débris peuvent être enlevés en utilisant un aspirateur. Le support du filtre peut être nettoyé 2 à 3 fois en moyenne au support du filtre de sécher à l'air avant de le réinstaller. Le support du filtre peut être nettoyé 2 à 3 fois en moyenne avant de le remplacer par un nouveau.
- Réinstaller le support du filtre en suivant les étapes citées ci-dessus dans le sens inverse.
- Activer l'alimentation en gaz et rebrancher le courant; se reporter aux instructions d'exploitation apposées à l'avant du chauffe-eau. Vérifier le bon fonctionnement du chauffe-eau avant de quitter.

Remarque : Le chauffe-eau ne doit jamais être utilisé sans que le support du filtre ne soit installé.

- Une conduite ou un tube en plastique doit être utilisé pour connecter le drain du condensat à un drain approprié ou une pompe à condensats. Ne pas utiliser de tuyauterie en cuivre, fer, ou tuyau en acier pour la conduite de vidange de condensat.
- Les conduites de vidange des condensats doivent être installées dans les zones climatisées seulement. Des conduites de vidange de condensation installées dans les zones qui sont soumises à des températures de congélation doivent être enveloppées d'un ruban thermique reconnu/approuvé et/ou d'un isolant approuvé au niveau national pour protection contre le gel. Installer selon les instructions du fabricant.
- Ne pas vidanger avec la soupape de décharge à sécurité thermique ou le tuyau de condensat à partir d'un serpentin d'évaporateur de conditionneur d'air.
- Incliner la vidange des condensats vers l'intérieur du drain de plancher ou vers la pompe à condensats.
- La conduite de vidange des condensats et le raccordement à la tuyauterie de vidange doivent être conformes aux codes locaux.
- Ne pas acheminer les conduites des condensats dans le bac d'évacuation métallique.

Lors de l'installation de la conduite de vidange, noter les points suivants :

La conduite de vidange de condensat doit être acheminée à un drain adéquat. Si aucun drain de plancher n'est disponible ou si le drain est au-dessus du niveau de la conduite de condensat, une pompe à condensat résistante au condensat acide doit être installée. Ces pompes sont disponibles auprès des distributeurs locaux. Si la pompe n'est pas résistante au condensat acide, un neutralisateur de condensat doit être utilisé en avant de la pompe.

Si les codes locaux l'exigent, installer une cartouche pour neutralisateur de condensat sur la conduite de vidange (voir Figure 3B).

La conduite de vidange de condensat doit être acheminée à un drain adéquat. Si aucun drain de plancher n'est disponible ou si le drain est au-dessus du niveau de la conduite de condensat, une pompe à condensat résistante au condensat acide doit être installée. Ces pompes sont disponibles auprès des distributeurs locaux. Si la pompe n'est pas résistante au condensat acide, un neutralisateur de condensat doit être utilisé en avant de la pompe.

Important : S'assurer que le joint de tige de vidange est inséré contre l'arrêt situé dans le coude. Ne pas respecter cette vidange de condensat vers un drain convenable.

Connecter les tuyaux restants et acheminer la conduite de coude en s'assurant de l'orienter avant que le ciment ne durcisse au joint. Réinsérer le joint complètement et rapidement dans le joint non collé du coude au bas et appliquer un ciment approprié. Une fois que la direction de l'orientation est choisie, retirer le niveau du coude (voir Figure 3A). Cet ensemble peut être tourné avec la sortie du té orientée selon le besoin.

Toutes les pièces du purgeur de condensat sont collées à l'exception du joint de tige de vidange en CPVC de 1/2 po au niveau du coude (voir Figure 3A). Cet ensemble peut être tourné avec la sortie du té orientée selon le besoin.

Conduit de vidange de condensat

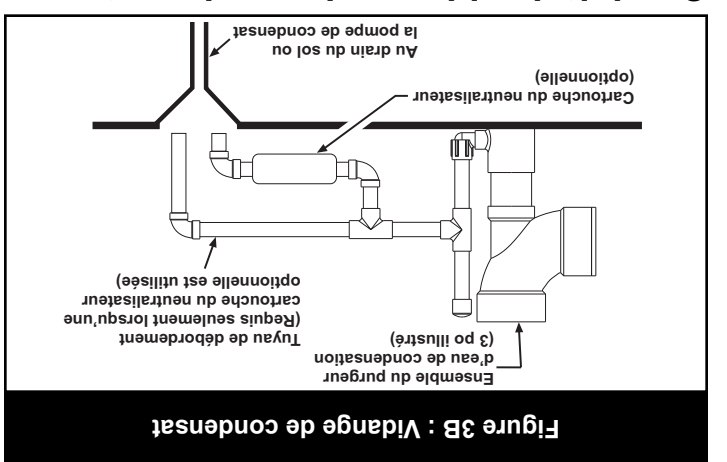


Figure 3B : Vidange de condensat

Ventilation

Ce chauffe-eau dispose d'un réseau de ventilation directe dans lequel tout l'air pour la combustion est tiré de l'atmosphère extérieure et tous les produits de combustion sont évacués à l'extérieur.

Ce chauffe-eau doit être adéquatement ventilé pour que les gaz d'évacuation soient évacués à l'extérieur. Il est impératif d'installer correctement le réseau de tuyaux de ventilation pour garantir le fonctionnement adéquat et sécuritaire du chauffe-eau et prolonger la durée utile de l'appareil.

L'installation des tuyaux de ventilation doit être effectuée conformément aux codes locaux et d'état ou, en l'absence de ceux-ci, à l'édition en cours du « Code national du gaz et du chauffage », ANSI Z223.1 (NFPA 54). Les installations canadiennes doivent être effectuées conformément à l'édition en cours CAN/CSA-B149.1.

Lors du remplacement d'un appareil Polaris® existant, il est recommandé que le réseau de ventilation soit examiné aux fins de conformité avec les exigences contenues dans ce manuel d'installation. Si la ventilation n'est pas conforme aux exigences, il est recommandé de faire les changements appropriés afin de la rendre conforme. **Remarque :** Il est important que le filtre d'arrivée d'air installé à l'usine soit inspecté au moins deux fois par année et nettoyé selon le besoin. Voir « Installation du filtre intégré, Entretien préventif ». **Remarque :** Si le réseau de ventilation n'est pas conforme au présent manuel d'installation, le fabricant se réserve le droit d'évaluer l'installation avant d'accorder toute garantie sur les réclamations de service.

Important : Assurez-vous que le tuyau de ventilation n'est pas bloqué de quelque façon.

Remarque : Ne pas raccorder le chauffe-eau à un événement commun en présence de tout autre appareil. Ne pas installer dans le même cariveau ou la même cheminée avec un métal chauffé au gaz ou à combustible.

Risque d'empoisonnement au monoxyde de carbone

Suivre toutes les instructions pour repérer et installer le réseau de ventilation.

Les instructions se trouvent dans ce manuel, dans les codes locaux ou d'état (ou l'autorité ayant compétence) ou, en l'absence de ceux-ci, dans l'édition en cours du « Code national du gaz et du chauffage », ANSI Z223.1 (NFPA 54). Les installations canadiennes doivent être effectuées conformément à l'édition en cours CAN/CSA-B149.1.

Ne pas bien repérer et installer le réseau de tuyaux de ventilation peut entraîner la mort ou l'empoisonnement au monoxyde de carbone.

AVERTISSEMENT

RÉSEAU DE TUYAUX DE VENTILATION

Dégagements et accessibilité

Avis : Les distances minimales par rapport aux matériaux combustibles sont indiquées sur la plaque signalétique située à l'avant du chauffe-eau.

- Le chauffe-eau est homologué pour installation sur un plancher combustible.

Important : Si le chauffe-eau est installé sur un plancher recouvert de moquette, celle-ci doit être protégée par un panneau de métal ou de bois posé sous le chauffe-eau. Le longueur et la largeur du panneau de protection doivent dépasser celles du chauffe-eau d'au moins 7,62 cm (3 po) dans toutes les directions; dans le cas d'une installation dans une alcôve ou un placard, le panneau doit recouvrir la totalité du plancher. Le panneau doit être suffisamment robuste pour pouvoir supporter le poids du chauffe-eau lorsque celui-ci est rempli d'eau.

La Figure 2 peut servir de guide pour déterminer les différents dégagements prescrits. Il faut prévoir un dégagement minimal de 61 cm (24 po) devant le chauffe-eau et 10,2 cm (4 po) sur chaque côté aux fins d'inspection et d'entretien.

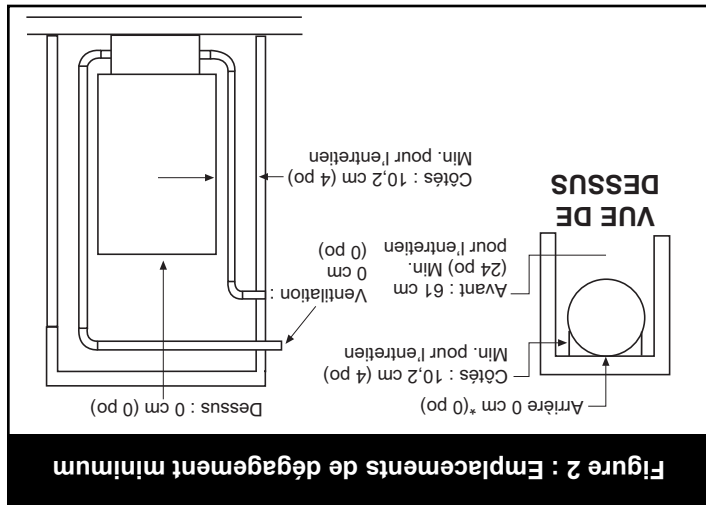


Figure 2 : Emplacements de dégagement minimum

TUYAU DE CONDENSAT

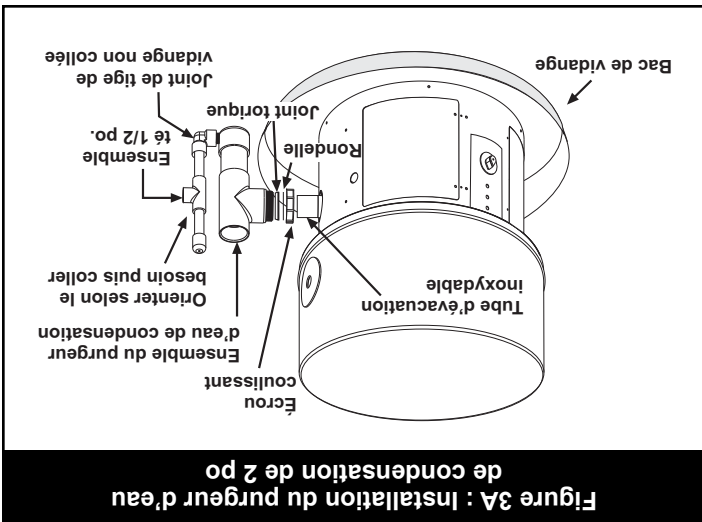
Important : Ne pas acheminer les conduites des condensats dans des zones susceptibles de geler. Un condensat gelé bloquera la conduite de vidange et entraînera des dommages matériels ou un mauvais fonctionnement du chauffe-eau.

Ensemble du purgeur d'eau de condensation

Un ensemble de tige de vidange/purgeur d'eau de condensation doit être fourni avec le chauffe-eau et est situé derrière la porte d'accès à l'intérieur de la base du chauffe-eau. Cet ensemble doit être installé entre le chauffe-eau et la tuyauterie de sortie d'évacuation pour assurer un bon fonctionnement du chauffe-eau. Pour l'installer, enlever l'écrou coulissant, la rondelle en acier inoxydable et le joint torqué de l'ensemble du purgeur. Glisser l'écrou, la rondelle et le joint torqué (dans cet ordre) par dessus le tube d'évacuation inoxydable et les ramener à proximité de la base du chauffe-eau. Insérer l'ensemble de purgeur par dessus le tube d'évacuation inoxydable et serrer fermement à la main (utiliser une clé ne laissera pas le joint torqué se sceller adéquatement) l'écrou afin de former un joint étanche entre le joint torqué et le tube d'évacuation inoxydable. Une fois serré, le de 1,9 cm +/- 0,31 cm de tolérance (3/4 po +/- 1/8 po).

Remarque : Le purgeur devrait être aligné de sorte que le tuyau d'évacuation soit en position verticale proche de la surface du chauffe-eau.

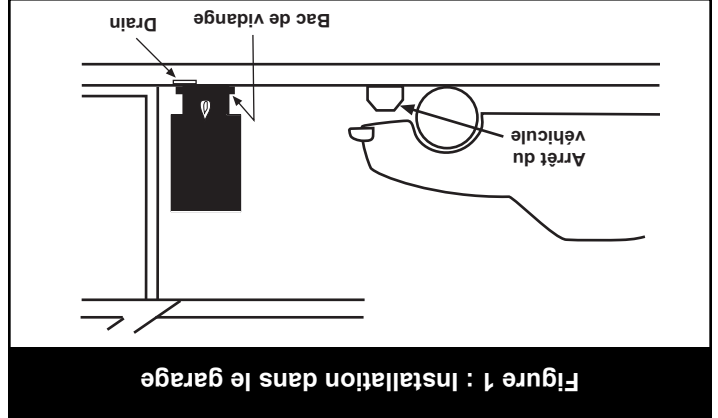
Figure 3A : Installation du purgeur d'eau de condensation de 2 po



- Choisir un emplacement proche du centre du système de tuyauterie d'eau. Le chauffe-eau doit être installé à l'intérieur et à la verticale sur une surface de niveau. NE PAS installer dans une pièce habituellement fermée, p. ex., salle de bain, chambre. **Remarque** : Le chauffe-eau peut être installé dans une armoire avec une porte donnant sur la chambre ou la salle de bain, à condition que les appareils soient installés et ventilés conformément aux instructions du fabricant. Tenir compte des exigences de la tuyauterie du réseau d'évacuation d'air et de ventilation d'arrivée au moment de choisir l'emplacement du chauffe-eau. Le réseau de

Choix de l'emplacement

Le chauffe-eau n'est pas certifié pour être installé dans des maisons mobiles.



La conception du chauffe-eau a été testée par CSA International et elle est conforme avec ANSI Z21.10.1, Section 2.35 Résistance aux vapeurs inflammables. Pour éviter d'endommager votre chauffe-eau lorsque celui-ci est installé dans un garage, installer un arrêt de véhicule tel que illustré dans la figure ci-dessous. Vérifier les codes locaux/provinciaux et d'état pour connaître les exigences avant de faire l'installation.

Exigences relatives à l'emplacement

AVERTISSEMENT

Vapeurs inflammables

RISQUE D'INCENDIE ET D'EXPLOSION

Peut entraîner des blessures graves ou la mort

⚠ Ne pas entreposer et ne pas utiliser d'essence ni tout autre liquide aux vapeurs inflammables à proximité du présent appareil ou de tout autre appareil. L'entreposage ou l'utilisation d'essence ou de tout autre liquide ou vapeur inflammable à proximité du présent appareil ou de tout autre appareil peut entraîner des blessures graves ou la mort.

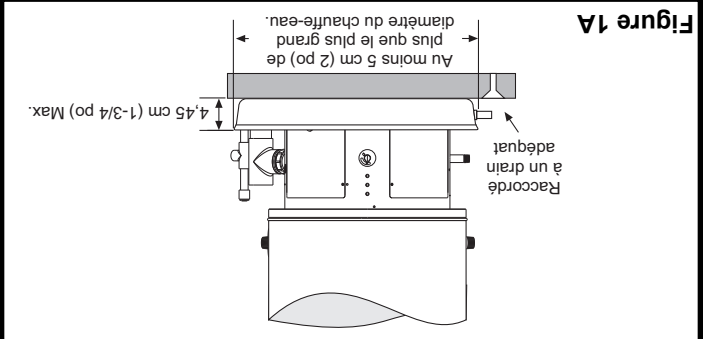
ventilation reliant le chauffe-eau à la bouche d'évacuation doit être le plus court possible et comporter plusieurs coudes. Les débits calorifiques sont réduits lorsque la longueur du réseau de ventilation augmente. Le réseau de ventilation doit se conformer aux exigences stipulées dans la section de ventilation de ce manuel.

- Placer le chauffe-eau près de la tuyauterie de gaz existant. S'il faut installer des tuyaux de gaz neufs, placer le chauffe-eau de façon à réduire au minimum la longueur de la tuyauterie et le nombre de coudes.

Important : L'air de combustion et de ventilation ne doit pas provenir d'une atmosphère corrosive. Toute défaillance attribuable à des agents corrosifs présents dans l'atmosphère est exclue de la garantie.

Remarque : Ce chauffe-eau doit être installé en conformité aux codes locaux/provinciaux et d'état ou, en l'absence de ceux-ci, à l'édition en cours du « Code national du gaz et du chauffage », ANSI Z223.1 (NFPA 54). Les installations canadiennes doivent être effectuées conformément à l'édition en cours CAN/CSA-B149.1.

Important : Le chauffe-eau doit se trouver dans un endroit où les fuites du réservoir ou les connexions n'endommageront pas la zone adjacente au chauffe-eau ou les zones inférieures de la structure. En raison des propriétés corrosives normales de l'eau, le réservoir risque de présenter des fuites après une longue période. En outre, toutes les fuites de la plomberie non réparées, y compris celles qui sont attribuables à une mauvaise installation, peuvent provoquer la défaillance prématurée du réservoir d'eau à cause de la corrosion. Un technicien de service qualifié doit être contacté pour les réparations. Un bac d'évacuation métallique adéquat doit être installé sous le chauffe-eau de la façon illustrée ci-dessous. Le bac contribue à protéger la propriété contre les dommages causés par la formation de condensation ou les fuites de la tuyauterie ou du réservoir. Le bac doit permettre un niveau d'eau maximal de 4,45 cm (1-3/4 po), mesurer au moins 5 cm (2 po) de large de plus que le diamètre du chauffe-eau et être raccordé à un drain adéquat. Placer le chauffe-eau près d'un drain intérieur adéquat. Les drains extérieurs sont exposés au gel et peuvent être obstrués par la glace. La tuyauterie employée doit présenter un diamètre intérieur d'au moins 1,91 cm (3/4 po) et accuser une pente assurant l'écoulement efficace de l'eau. En aucun cas, le fabricant ou le vendeur de ce chauffe-eau ne peut être tenu responsable de tout dégât d'eau qui est causé par le non-respect de ces instructions.



Le chauffe-eau doit être installé dans un endroit à l'abri du gel. Si le chauffe-eau est situé dans un espace non chauffé (c.-à-d., grenier, sous-sol, etc.), il peut être nécessaire d'isoler les tuyaux d'eau et de vidange pour le protéger du gel. Le robinet de vidange et les commandes doivent être facilement accessibles aux fins d'utilisation et d'entretien. Observer les valeurs de dégagement inscrites sur la plaque signalétique.

INSTRUCTIONS D'INSTALLATION

Renseignements destinés à l'acheteur

OBSERVER L'ENSEMBLE DES CODES ET ORDONNANCES APPLICABLES.

Ce chauffe-eau présente une conception certifiée par l'organisme CSA International pour les appareils de catégorie IV, c.-à-d.,

chauffe-eau à ventilation directe dont l'air de combustion est

tiré de l'extérieur de la structure et évacué tous les produits de

combustion à l'extérieur de la structure.

Ce chauffe-eau doit être installé en conformité aux codes locaux

et d'état ou, en l'absence de ceux-ci, à l'édition en cours du

« Code national du gaz et du chauffage », ANSI Z223.1 (NFPA

54). Les installations canadiennes doivent être effectuées

conformément à l'édition en cours CAN/CSA-B149.1. Il est

disponible à partir de ce qui suit :

CSA America, Inc.

8501 East Pleasant Valley Road

Cleveland, OH 44131

National Fire Protection Agency

1 Batterymarch Park

Quincy, MA 02169-7471

Canadian Standards Association

178 Rexdale Boulevard

Toronto, ON M9W 1R3

Consulter l'annuaire local ou régional pour déterminer les

organismes locaux fondés des pouvoirs pertinents.

Responsabilités de l'installateur et du propriétaire

Le présent manuel vise à informer l'acheteur sur l'installation, le fonctionnement et l'entretien du chauffe-eau au gaz et à lui communiquer d'importantes données de sécurité pertinentes.

Lire attentivement toutes les directives avant d'installer le

chauffe-eau ou de le mettre en service.

Ne pas mettre le manuel au rebut. Le conserver aux fins de consultation ultérieure par les utilisateurs actuels et futurs

du chauffe-eau.

L'entretien du chauffe-eau devrait être effectué par un technicien d'entretien qualifié seulement.

Voici quelques exemples de techniciens qualifiés :

personnes ayant reçu une formation dans l'industrie de plomberie et du chauffage, personnel au service du gaz local, ou une personne d'entretien autorisée.

Le fabricant et le vendeur du chauffe-eau n'assument aucune responsabilité relativement à quelque dommage, de blessure

ou de décès attribuable au défaut de se conformer aux

directives d'installation et de fonctionnement du présent

manuel.

Si l'acheteur ne possède pas les compétences nécessaires pour installer correctement le chauffe-eau ou s'il a de la difficulté à suivre les directives, il doit retenir les services d'un technicien qualifié pour faire installer ce chauffe-eau.

Déballage du chauffe-eau



AVERTISSEMENT

Danger de poids excessif

Faire appel à deux personnes ou plus pour déplacer et installer le chauffe-eau sauf si un équipement de maintenance approprié est utilisé.

Ne pas le faire peut entraîner des blessures au dos ou d'autres blessures.

Retrait des matériaux d'emballage

Important : Ne pas enlever aucune directive ni étiquette permanente ou encore la plaque de données apposée à l'extérieur du chauffe-eau ou à l'intérieur des panneaux.

- Retirer l'emballage extérieur et mettre les pièces d'installation de côté.
- Inspecter toutes les pièces à la recherche de dommages avant l'installation et la mise en service.
- Lire complètement toutes les directives avant d'assembler et d'installer ce produit.
- Après l'installation, mettre au rebut tout le matériel d'emballage de façon appropriée.

Une plaque signalétique identifiant votre chauffe-eau est apposée à l'avant de celui-ci. Pour toute communication touchant le chauffe-eau, toujours avoir les données de la plaque signalétique à portée de la main.

Tenir les matières combustibles, p. ex., boîtes, magazines, vêtements, etc., loin de l'aire du chauffe-eau.

Conserver le reçu d'origine à titre de preuve d'achat.

Table des matières

Page

- 1-2 Sécurité relative au chauffe-eau
- 3-22 Instructions d'installation
- 3 Déballage du chauffe-eau
- 4 Exigences relatives à l'emplacement
- 5-6 Tuyau de condensat
- 7 Installation du filtre intégré
- 8-11 Réseau de tuyaux de ventilation
- 9-12 Terminaisons de ventilation
- 13 Taux de production de gaz
- 13-16 Tuyauterie du circuit d'eau
- 17-18 Alimentation en gaz et tuyauterie de gaz
- 19-20 Schéma de câblage/Connexions électriques
- 21 Liste de contrôle relative à l'installation
- 22-24 Fonctionnement du chauffe-eau
- 23 Mode d'utilisation Polaris®
- 24-25 Entretien du chauffe-eau
- 26 Dépannage
- 27 Séquence de fonctionnement du logiciel
- 28 Liste et diagramme des pièces
- 29 Modèles et dimensions Polaris®

Consignes importantes

- Ne pas utiliser le chauffe-eau si une quelconque partie a été immergée dans l'eau. Appeler immédiatement un technicien de service qualifié. Les chauffe-eau soumis aux inondations ou dont les commandes de gaz, le brûleur principal ou la commande d'allumage ont été immergés à un moment donné dans l'eau nécessitent le remplacement du chauffe-eau en entier.
- De l'hydrogène peut être produit dans un système d'eau chaude qui n'a pas été utilisé pendant longtemps (généralement deux semaines ou plus). L'hydrogène est un gaz extrêmement inflammable et peut s'enflammer lorsque exposé à une étincelle ou une flamme. Afin de réduire les risques de blessures dans ces conditions particulières, il est recommandé d'ouvrir le robinet d'eau chaude de la cuisine pendant plusieurs minutes avant d'utiliser tout appareil électrique connecté au réseau d'alimentation en eau chaude. En présence d'hydrogène, il y aura probablement un son inhabituel tel que de l'air s'échappant du robinet au fur et à mesure que l'eau commence à s'écouler. Ne pas fumer ni approcher une flamme nue à proximité du robinet au moment où il est ouvert.


Il est très important de veiller à sa propre sécurité et à celles des autres.

De nombreux messages et consignes de sécurité sont indiqués dans le manuel et sur le chauffe-eau. Lire attentivement et observer tous les messages et consignes de sécurité.

Symbole d'alerte de sécurité.


Ce symbole indique un danger potentiel qui pourrait entraîner des blessures graves ou mortelles.

Tous les messages de sécurité suivront le symbole d'alerte de sécurité avec le mot « DANGER » ou « AVERTISSEMENT ». Ces mots indiquent :



AVERTISSEMENT

Une situation potentiellement dangereuse qui, si elle n'est pas évitée, peut entraîner des blessures corporelles graves ou la mort.



DANGER

Une situation de danger imminent qui, si elle n'est pas évitée, entraînera la mort ou des blessures.

Tous les messages de sécurité indiqueront quel est le danger potentiel, comment réduire le risque de blessure, et ce qui peut arriver si les instructions ne sont pas suivies.



- **INSTALLATEUR :** Affichez ces instructions au chauffe-eau ou à proximité.
- **PROPRIÉTAIRE :** Conservez ces instructions et la garantie pour référence future. Conservez le reçu d'origine à titre de preuve d'achat.

AVERTISSEMENT : Si les informations contenues dans ces instructions ne sont pas suivies avec précision, un incendie ou une explosion peut provoquer des dommages matériels, des blessures corporelles voire la mort.

Ne pas entreposer et ne pas utiliser d'essence ni tout autre liquide aux vapeurs inflammables à proximité du présent appareil ou de tout autre appareil.

QUE FAIRE SI VOUS SENTEZ UNE ODEUR DE GAZ

- Ne pas allumer aucun appareil.
- Ne toucher aucun interrupteur électrique; n'utiliser aucun téléphone du bâtiment.
- Appeler immédiatement le fournisseur de gaz en utilisant le téléphone d'un voisin. Suivre les instructions du fournisseur de gaz.
- Si vous ne pouvez pas joindre votre fournisseur de gaz, appeler le service d'incendie.

L'installation et l'entretien doivent être assurés par un installateur qualifié, une agence de service ou par le fournisseur de gaz.



Chauffe-eau commercial au gaz Polaris®

Instructions d'installation et guide d'utilisation et d'entretien

Pour obtenir une assistance technique et des renseignements relatifs à la garantie et l'entretien pendant ou après l'installation de ce chauffe-eau, visitez notre site Web au :

<http://www.gsw-wh.com>
ou appelez la ligne sans frais : 1-888-479-8324

Lorsque vous appelez pour assistance, assurez-vous d'avoir les renseignements suivants à portée de la main :

- 1. Numéro de modèle
- 2. Numéro du produit à 7 chiffres
- 3. Numéro de série
- 4. Date d'installation
- 5. Lieu d'achat

Table des matières 2

Ce manuel couvre les numéros de modèles suivants :	
au Canada	PC 100-34 2NV ou 2PV
	PC 130-34 2NV ou 2PV
	PC 130-50 2NV ou 2PV
	PC 150-34 2NV ou 2PV
	PC 150-50 2NV ou 2PV
	PC 175-50 3NV ou 3PV
	PC 199-50 3NV ou 3PV
Remarque : Le fabricant de ce chauffe-eau recommande que le chauffe-eau soit installé par des professionnels de service formés et qualifiés.	

Free Manuals Download Website

<http://myh66.com>

<http://usermanuals.us>

<http://www.somanuals.com>

<http://www.4manuals.cc>

<http://www.manual-lib.com>

<http://www.404manual.com>

<http://www.luxmanual.com>

<http://aubethermostatmanual.com>

Golf course search by state

<http://golfingnear.com>

Email search by domain

<http://emailbydomain.com>

Auto manuals search

<http://auto.somanuals.com>

TV manuals search

<http://tv.somanuals.com>