

GNX Series

# Subwoofers



GNX

OWNER'S

Manual

**ATTACH YOUR RECEIPT  
HERE AND FILE FOR  
FUTURE REFERENCE  
X**

## **BRING ON THE NOIZE!**

Please inspect each loudspeaker carefully. Notify your Polk Audio dealer if you notice any damage or missing items. Keep the carton and packing material. They will do the best job of protecting your speakers if they need to be transported.

## **BUILDING A HOME FOR YOUR SUBWOOFER—GNX SUB ENCLOSURE 101**

To get the best performance from your GNX Subwoofers, you must use a Subwoofer Enclosure. Don't bother using them in "free air," with no sub box, just popped into the back deck of your car. You will not get very good performance from your subwoofers if you do this.

You can build your own box, buy a pre-built box or a box kit, or have your Polk Audio dealer design and build a custom sub enclosure for you. Your GNX Subwoofers were designed to work well in a wide variety of enclosure sizes and configurations.

If you choose to build your own enclosure, be sure to build it well. Make certain it's properly sealed and airtight for maximum bass performance.



**For more information about enclosures  
and configurations, log on to**

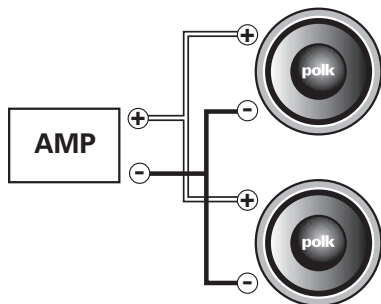
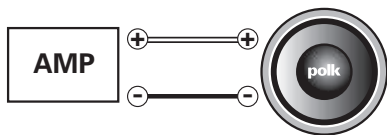
**<http://www.polkaudio.com/car/toolbox/subboxplans/>  
or call Polk Audio's Customer Service Department  
for a FAXback Sub Enclosure info sheet.**



**Polk Audio Customer Service is available from 9am–6pm, EST, Monday through Friday, at 800-377-7655 (US & Can only, outside the US please call 410-358-3600). Please do not hesitate to call us if you have questions about your speaker system. We love this stuff.**

## WIRING DIAGRAMS FOR GNX104-4Ω, GNX108-8Ω, GNX124-4Ω, GNX128-8Ω (Single Voice Coil Hookup)

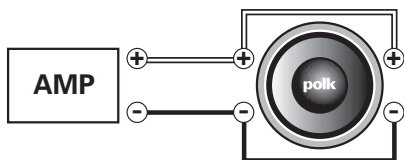
Please make certain that your amplifier is rated to carry the specified load.



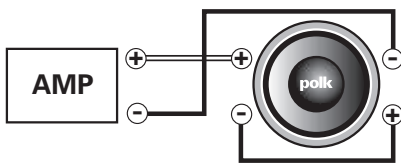
**With speakers wired in parallel:  
Two 8Ω speakers will present a 4Ω load.  
Two 4Ω speakers will present a 2Ω load.**

## DUAL VOICE COIL WIRING DIAGRAMS FOR GNX10DVC & GNX12DVC (4Ω)

Please make certain that your amplifier is rated to carry the specified load.

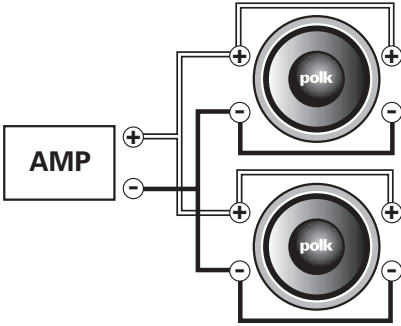


**With coils in parallel, a dual 4Ω speaker  
will present a 2Ω load.**

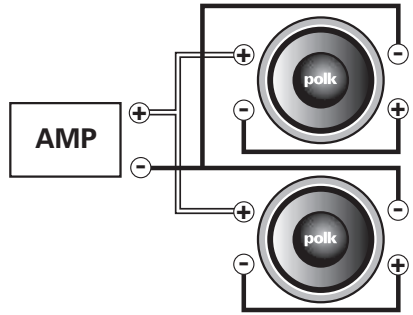


**With coils wired in series, a dual 4Ω  
speaker will present an 8Ω load.**

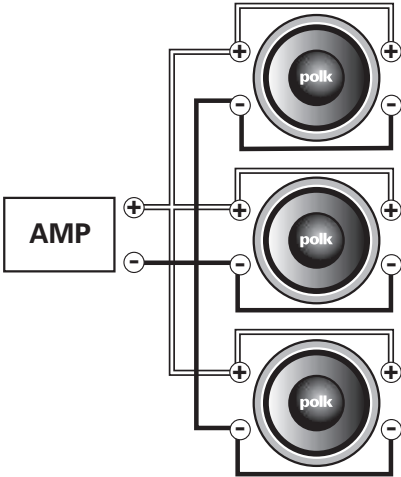
**DUAL VOICE COIL WIRING DIAGRAMS FOR GNX10DVC & GNX12DVC (4Ω, CONT.)**



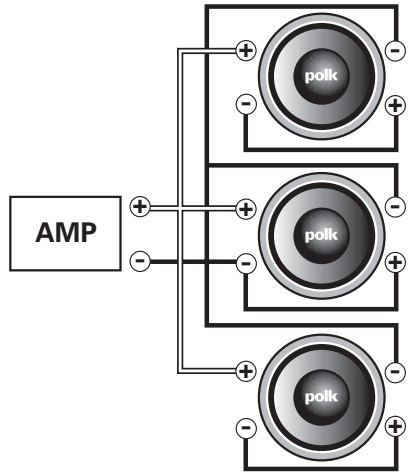
**With coils and speakers wired in parallel, 2 dual 4Ω speakers will present a 1Ω load.**



**With the coils wired in series and the speakers wired in parallel, 2 dual 4Ω speakers will present a 4Ω load.**



**With coils and speakers wired in parallel, 3 dual 4Ω speakers will present a 1.3Ω load.**



**With the coils wired in series and the speakers wired in parallel, 3 dual 4Ω speakers will present a 2.7Ω load.**

## **BREAK IT IN.**

GNX Subwoofers will achieve even greater performance once they are thoroughly broken-in. To break in your new GNX Subs, play 20 to 30 hours of music at moderate levels.

## **GET MORE INFORMATION ONLINE AT POLK UNIVERSITY:**

<http://www.polkaudio.com/car/faqad/index.php>

## **AMPLIFIER POWER REQUIREMENTS FOR GNX SUBWOOFERS**

Your Subwoofers will work well with a variety of electronic components. As little as 50 watts per channel will deliver adequate listening levels in most cars. If you have a noisy car or intend to play your system at loud listening levels, more power is necessary to achieve the best performance. More power is always better. Consult your Polk Audio dealer for specific recommendations.

## **OPTIMAL CROSSOVER SETTING**

We recommend using an active crossover with a 12 to 18dB per octave low pass filter slope, and setting it to an initial setting of 80 to 90Hz as a good starting point. This is an optimal crossover setting on most vehicles.

## **INVERTING PHASE**

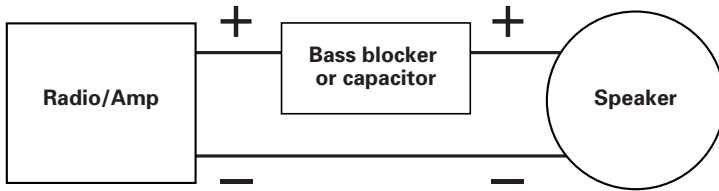
Depending on the placement of your subwoofer enclosure and associated components, it may be necessary to invert the phase of one or another of your system's connections in order to gain better subwoofer/mid-range blending. Inverting the phase simply means switching the positive connections with the negative connections at the amplifier. If you choose to do this, invert the phase of only one set of speakers (either your mains, or your subs, never both).

## **SAFE LIMITS OF OPERATION**

Your Polk GNX Subwoofers are made with the highest quality materials for years of trouble-free performance. However, damage to loudspeakers can occur when an amplifier, regardless of its wattage, is made to play at higher listening levels than its power can clearly produce (usually beyond the "1 to 2 o'clock" position on the volume control). This results in very high levels of audible distortion, originating in the amplifier, which adds a harsh, gritty sound to the music. Contrary to popular belief, a speaker is more likely to be damaged by trying to get too much volume from a low-powered amp than from a high-powered one. Hear distortion? Turn it down. Contact Polk Customer Service 800-377-7655 (9am–6pm, EST, Monday through Friday).

## LOW FREQUENCY CUT-OFF FOR MID-RANGE SPEAKERS IN SYSTEMS WITH SUBWOOFERS

Now that you have a subwoofer in your system, you may want to decrease the amount of bass going to your mid-range speakers. This will get you better mid-range sound and increase the power handling. There are two ways to roll off the bass before it gets to your mid-range speakers. One way is to use a “bass blocker,” a capacitor placed in series with the speaker input. Bass blockers are installed in series, one end connected with the positive lead from your amplifier and the other end connected to the positive lead of each of your speakers. Bass blocker capacitors (200 microfarad @ 100volts, non-polarized) are available at any RadioShack or parts supply house. The other route is to use an electronic crossover device that allows filtering below 100Hz or so. Find these devices at your authorized Polk Audio dealer.



### TECHNICAL ASSISTANCE OR SERVICE “NO SOUND?”

If, after following these hookup and installation directions, you experience difficulty, please double-check all wire connections.

Make certain your electronic equipment is operating correctly by hooking up another speaker to the speaker output. For example, if you are not getting sound from the left channel speaker, connect the right channel speaker to the left output. If you still get no sound from that side, the problem is in your amp or source electronics. Should you isolate the problem to the speaker, contact the authorized Polk Audio dealer where you bought your speakers. Authorized Polk Audio dealers are the best source for advice and assistance.

Polk Audio’s Customer Service Department is available from 9am–6pm, EST, Monday through Friday, at 800-377-7655 (US & Can only, outside the US call 410-358-3600). Please do not hesitate to call us if you have questions about your speaker system.

**You will find additional information, informative articles, manual updates and cool stuff to buy that has “Polk Audio” all over it by visiting [www.polkaudio.com](http://www.polkaudio.com).**

**GNX SERIES 10" SUBWOOFER SPECIFICATIONS**

	<b>GNX104</b>	<b>GNX108</b>	<b>GNX10DVC</b>
<i>Thiele/Small Parameters</i>			
Type	subwoofer	subwoofer	subwoofer
Driver Complement	10"	10"	10"
Nominal Impedance	4Ω	8Ω	dual 4Ω
Frequency Response	18-400Hz	18-400Hz	18-400Hz
Fs (Hz)	39.6Hz	43.19Hz	42.46Hz
Re	3.59Ω	6.97Ω	6.85Ω (8Ω)
Le	1.65mH	2.50mH	3.06mH
Qms	7.21	7.63	7.79
Qes	0.67	0.83	0.78
Qts	0.61	0.75	0.71
Vas	0.97ft <sup>3</sup> (27.35L)	0.79ft <sup>3</sup> (22.33L)	0.78ft <sup>3</sup> (22.22L)
SD	53.69in <sup>2</sup> (346.36cm <sup>2</sup> )	53.69in <sup>2</sup> (346.36cm <sup>2</sup> )	53.69in <sup>2</sup> (346.36cm <sup>2</sup> )
Power Handling (watts continuous)	175watts	175watts	175watts
Power Handling (watts peak)	400watts	400watts	400watts
Sensitivity (SPL at 1 watt / 1 meter)	93dB	93dB	93dB
Xmax	0.24" (6.1mm)	0.24" (6.1mm)	0.33" (8.4mm)
Voicecoil Diameter	2.0" (50.8mm)	2.0" (50.8mm)	2.0" (50.8mm)
Mounting Depth Top Mount	4 13/16" (122mm)	4 13/16" (122mm)	4 13/16" (122mm)
Mounting Depth Bottom Mount	5 1/4" (133mm)	5 1/4" (133mm)	5 1/4" (133mm)
Mounting Diameter	9 1/4" (235mm)	9 1/4" (235mm)	9 1/4" (235mm)



## GNX SERIES 12" SUBWOOFER SPECIFICATIONS

	GNX124	GNX128	GNX12DVC
<i>Thiele/Small Parameters</i>			
Type	subwoofer	subwoofer	subwoofer
Driver Complement	12"	12"	12"
Nominal Impedance	4Ω	8Ω	dual 4Ω
Frequency Response	18-400Hz	18-400Hz	18-400Hz
Fs (Hz)	25.99Hz	26.16Hz	25.66Hz
Re	3.56Ω	6.97Ω	6.92Ω
Le	1.54mH	1.55mH	1.40mH
Qms	5.96	6.02	6.00
Qes	0.36	0.44	0.44
Qts	0.34	0.41	0.41
Vas	4.11ft <sup>3</sup> 116.25L	3.88ft <sup>3</sup> 109.75L	3.86ft <sup>3</sup> 109.32L
SD	76.09in <sup>2</sup> (490.87cm <sup>2</sup> )	76.09in <sup>2</sup> (490.87cm <sup>2</sup> )	76.09in <sup>2</sup> (490.87cm <sup>2</sup> )
Power Handling (watts continuous)	175watts	175watts	175watts
Power Handling (watts peak)	400watts	400watts	400watts
Sensitivity (SPL at 1 watt / 1 meter)	93dB	93dB	93dB
Xmax	0.24" (6.1mm)	0.24" (6.1mm)	0.33" (8.4mm)
Voicecoil Diameter	2.0" (50.8mm)	2.0" (50.8mm)	2.0" (50.8mm)
Mounting Depth Top Mount	5 13/16" (148mm)	5 13/16" (148mm)	5 13/16" (148mm)
Mounting Depth Bottom Mount	6 1/4" (159mm)	6 1/4" (159mm)	6 1/4" (159mm)
Mounting Diameter	10 15/16" (278mm)	10 15/16" (278mm)	10 15/16" (278mm)



### **EX3 (GNX SUBWOOFER) 1 YEAR WARRANTY**

Polk Audio, Inc. warrants the original purchaser only that this Polk Audio EX3 Series (GNX) Product (the Product) will be free from defects in materials and workmanship for a period of (1) one year from the date of original retail purchase from a Polk Audio Authorized Dealer. However, this warranty will automatically terminate prior to the expiration of the (1) one year period if the original retail purchaser sells or otherwise transfers the Product to any other party. The original retail purchaser shall herein after be referred to as "you." To allow Polk Audio to offer the best possible warranty service, please fill out the Product Registration Card(s) and send them to the Factory at the address provided in the Registration Card within (10) ten days of the date of purchase.

Defective Products must be shipped, together with a proof of purchase, prepaid insured to the Authorized Polk Audio Dealer from whom you purchased the Product, or to 2550 Britannia Blvd., Suite D, San Diego, CA 92154. Products must be shipped in the original shipping container or its equivalent; in any case the risk of loss or damage in transit is to be borne by you. If, upon examination at the Factory or Polk Audio Authorized Dealer it is determined that the unit was defective in materials or workmanship at any time during the Warranty period, Polk Audio or the Polk Audio Dealer will, at its option, repair or replace this Product at no additional charge, except as set forth below. All replaced parts and Products become property of Polk Audio. Products replaced or repaired under this Warranty will be returned to you, within a reasonable time, freight prepaid.

This Warranty does not include service or parts to repair damage caused by accident, disaster, misuse, abuse, negligence, inadequate packing or shipping procedures, commercial use, voltage inputs in excess of the rated maximum of the unit, cosmetic appearance of the cabinetry not directly attributable to defects in materials or workmanship, or service, repair, or modifications of the Product which has not been authorized or approved by Polk Audio.

This Warranty is in lieu of all other expressed Warranties. If this Product is defective in materials and workmanship as warranted above, your sole remedy shall be repair or replacement as provided above. In no event will Polk Audio, Inc. be liable to you for any incidental or consequential damages arising out of the use or inability to use the Product, even if Polk Audio, Inc. or a Polk Audio Dealer has been advised of the possibility of such damages, or any other claim by any other party. Some states do not allow the exclusion or limitation of consequential damages, so the above limitation and exclusion may not apply to you. This Warranty gives you specific legal rights which may vary from state to state.

This warranty applies only to Products purchased in the United States of America, its possessions, and U.S. and NATO armed forces exchanges and audio clubs. The Warranty terms and conditions applicable to Products purchased in other countries are available from the Polk Audio Authorized Distributors in such countries.



**polkaudio**  
the speaker specialists®

**POLK AUDIO  
5601 METRO DRIVE  
BALTIMORE, MARYLAND 21215  
(800)377-7655**

**<http://www.polkaudio.com>**

"Polk Audio" and "The Speaker Specialists" are  
trademarks of Britannia Investment Corporation used  
under license by Polk Audio Incorporated.

Thank you for purchasing

**polkaudio**  
the speaker specialists®

Please send other correspondence to:

Polk Audio, Inc.  
5601 Metro Drive  
Baltimore, MD 21215  
129 F



NO POSTAGE  
NECESSARY  
IF MAILED  
IN THE  
UNITED STATES



**BUSINESS REPLY MAIL**  
FIRST-CLASS MAIL PERMIT NO. 18230 BALTIMORE, MD

POSTAGE WILL BE PAID BY ADDRESSEE

**polkaudio**  
the speaker specialists®

**PRODUCT REGISTRATION DEPARTMENT  
5601 METRO DRIVE  
BALTIMORE MD 21215-9956**



RM 0268-1

# PRODUCT REGISTRATION CARD

**polkaudio**  
the speaker specialists®

By completing and returning the attached  
Product Registration Card you will:

- CONFIRM YOUR WARRANTY
- REGISTER YOUR PRODUCT
- PROTECT YOUR NEW PRODUCT

# RETURN THIS CARD TODAY AND RECEIVE THESE 3 IMPORTANT BENEFITS:



## **WARRANTY CONFIRMATION:**

Your prompt product registration confirms your right to the protection available under the terms and conditions of your Polk Audio warranty.



## **PRODUCT PROTECTION:**

We will keep the model number and date of purchase of your speakers on file in the event of an insurance claim such as theft or loss.



## **PRODUCT REGISTRATION:**

Returning this card is your only way to guarantee that you will be notified by Polk Audio of any issues that arise concerning this product.

PLEASE DETACH HERE BEFORE MAILING.

**polk**audio  
the speaker specialists®

Thank you for your purchase. We at Polk Audio feel you are the most important person in our company. Your feedback will help us in our ongoing efforts to produce the finest and most satisfying loudspeaker available.

129 F

**1** First Name: \_\_\_\_\_ Initial: \_\_\_\_\_ Last Name: \_\_\_\_\_

Address: (Number and Street) \_\_\_\_\_ Apt #: \_\_\_\_\_

City: \_\_\_\_\_ State: \_\_\_\_\_ Zip Code: \_\_\_\_\_

**2** Phone #: \_\_\_\_\_

**3** E-mail Address: \_\_\_\_\_  
If you voluntarily provide us with your email address, you give us permission to share and use your email address to send you email offers that may interest you.

(EXAMPLE: yourname@yourhost.com)

**4** Date of Purchase: \_\_\_\_\_  
Month Day Year

**6** Store Name: \_\_\_\_\_

**7** Who installed this product?  
1.  Self 3.  Friend / Relative  
2.  Professional

**8** Did the following reasons influence your purchase of this Polk Audio product?

	Yes	No
1. Polk Audio Reputation	<input type="checkbox"/>	<input type="checkbox"/>
2. Ease of Use	<input type="checkbox"/>	<input type="checkbox"/>
3. Appearance	<input type="checkbox"/>	<input type="checkbox"/>
4. Recommendation of Dealer	<input type="checkbox"/>	<input type="checkbox"/>
5. Recommendation of Family/Friend	<input type="checkbox"/>	<input type="checkbox"/>
6. Magazine Review	<input type="checkbox"/>	<input type="checkbox"/>
7. Quality of Sound	<input type="checkbox"/>	<input type="checkbox"/>
8. Technical Specifications	<input type="checkbox"/>	<input type="checkbox"/>
9. Value for Price	<input type="checkbox"/>	<input type="checkbox"/>
10. Prior Experience with Polk Audio	<input type="checkbox"/>	<input type="checkbox"/>

**9** Where have you seen Polk products featured? (Check all that apply)

1. <input type="checkbox"/> Magazine advertisement	4. <input type="checkbox"/> In-store advertising
2. <input type="checkbox"/> Polk literature	5. <input type="checkbox"/> Someone else's home or car
3. <input type="checkbox"/> Magazine review	6. <input type="checkbox"/> On-line computer bulletins

**10** What other brands did you consider? (Check all that apply)

1. <input type="checkbox"/> No other brands	13. <input type="checkbox"/> KEF
2. <input type="checkbox"/> Advent	14. <input type="checkbox"/> Kenwood
3. <input type="checkbox"/> Alpine	15. <input type="checkbox"/> Kicker
4. <input type="checkbox"/> Altec	16. <input type="checkbox"/> MB Quart
5. <input type="checkbox"/> Boston Acoustics	17. <input type="checkbox"/> MTX
6. <input type="checkbox"/> Canton	18. <input type="checkbox"/> Pioneer
7. <input type="checkbox"/> Cerwin-Vega	19. <input type="checkbox"/> Rockford Fosgate
8. <input type="checkbox"/> Clarion	20. <input type="checkbox"/> Sony
9. <input type="checkbox"/> Infinity	21. <input type="checkbox"/> Soundstream
10. <input type="checkbox"/> JBL	22. <input type="checkbox"/> Other _____
11. <input type="checkbox"/> Jensen	

**11** In what automobile will this Polk Audio product be installed?

Make: \_\_\_\_\_  
EXAMPLE: FORD

Model: \_\_\_\_\_  
EXAMPLE: MUSTANG

Year: \_\_\_\_\_  
EXAMPLE: 1965

**12** Your gender: 1.  Male 2.  Female

**13** Your marital status: 1.  Married 2.  Single

**14** Date of your birth: \_\_\_\_\_  
Month Day Year

**15** Date of birth (month/year) of the other adults and children in your household:

Male	Female	Male	Female
1. <input type="checkbox"/> 2. <input type="checkbox"/> _____	1. <input type="checkbox"/> 2. <input type="checkbox"/> _____	1. <input type="checkbox"/> 2. <input type="checkbox"/> _____	1. <input type="checkbox"/> 2. <input type="checkbox"/> _____
Month Year	Month Year	Month Year	Month Year

**5** Model Number: \_\_\_\_\_  
7 | 4 7 1 9 2 | - \_\_\_\_\_ 7

Model located on UPC bar found on product carton (See example)

**16** Including yourself, what is the total number of people living in your household?  
(Examples: 01, 02, 03, 04...)

**17** For your primary residence, do you:  
1.  Own 2.  Rent

**18** Which best describes your family income?

1. <input type="checkbox"/> Under \$15,000	7. <input type="checkbox"/> \$100,000-\$124,999
2. <input type="checkbox"/> \$15,000-\$24,999	8. <input type="checkbox"/> \$125,000-\$149,999
3. <input type="checkbox"/> \$25,000-\$34,999	9. <input type="checkbox"/> \$150,000-\$174,999
4. <input type="checkbox"/> \$35,000-\$49,999	10. <input type="checkbox"/> \$175,000-\$199,999
5. <input type="checkbox"/> \$50,000-\$74,999	11. <input type="checkbox"/> \$200,000-\$249,999
6. <input type="checkbox"/> \$75,000-\$99,999	12. <input type="checkbox"/> \$250,000 or over

**19** Education:  
(Please check which category applies to you):  
1.  Some high school 3.  College degree  
2.  Completed high school 4.  Graduate degree

**20** In the last six (6) months has anyone in your household purchased any of the following items through the mail and/or over the internet?

	A. Mail	B. Internet
1. Books/magazines	<input type="checkbox"/>	<input type="checkbox"/>
2. Children's products	<input type="checkbox"/>	<input type="checkbox"/>
3. Clothes	<input type="checkbox"/>	<input type="checkbox"/>
4. Insurance/financial products	<input type="checkbox"/>	<input type="checkbox"/>
5. Music/video/DVD	<input type="checkbox"/>	<input type="checkbox"/>
6. Travel	<input type="checkbox"/>	<input type="checkbox"/>
7. Other	<input type="checkbox"/>	<input type="checkbox"/>

**21** I use these credit cards:  
1.  American Express 4.  Visa  
2.  Gas/Retail 5.  Other \_\_\_\_\_  
3.  Master Card 6.  Do not have credit cards

**22** Someone in my home participates in the following activities:  
(Check all that apply)

1. <input type="checkbox"/> Automotive work	19. <input type="checkbox"/> Hunting/Shooting
2. <input type="checkbox"/> Bible/devotional	20. <input type="checkbox"/> Investments (mutual funds, IRAs)
3. <input type="checkbox"/> Boating/sailing	21. <input type="checkbox"/> Investments (stocks & bonds)
4. <input type="checkbox"/> Camping/hiking	22. <input type="checkbox"/> Movie watching
5. <input type="checkbox"/> Casino gambling	23. <input type="checkbox"/> Own a cat
6. <input type="checkbox"/> Contribute to charitable causes	24. <input type="checkbox"/> Own a dog
7. <input type="checkbox"/> Crafts	25. <input type="checkbox"/> Personal computing / internet
8. <input type="checkbox"/> Cultural art/events	26. <input type="checkbox"/> Photography
9. <input type="checkbox"/> Cycling	27. <input type="checkbox"/> Read books
10. <input type="checkbox"/> Do-it-yourself	28. <input type="checkbox"/> Snow skiing
11. <input type="checkbox"/> Enter sweepstakes/contests	29. <input type="checkbox"/> Self improvement
12. <input type="checkbox"/> Fishing	30. <input type="checkbox"/> Soccer
13. <input type="checkbox"/> Fitness/exercise/jogging	31. <input type="checkbox"/> Tennis
14. <input type="checkbox"/> Gardening	32. <input type="checkbox"/> Travel-Foreign
15. <input type="checkbox"/> Golf	33. <input type="checkbox"/> Travel-U.S.
16. <input type="checkbox"/> Gourmet cooking/food/wines	34. <input type="checkbox"/> TV shopping
17. <input type="checkbox"/> Grandchildren	35. <input type="checkbox"/> Vitamins/natural foods
18. <input type="checkbox"/> Home decorating	36. <input type="checkbox"/> Watch sports on TV

COMMENTS: \_\_\_\_\_

# REGISTER Online

It's faster...easier...and you get **COOL** stuff!



## Register on-line to get:

- An entry into a **monthly drawing** for a **free Polk subwoofer** (home or car, your choice)
- The **peace of mind** that we have a record of your purchase to verify purchase date and warranty status.
- **Privacy.** The data we gather on our on-line registration is never sold or otherwise shared with anyone.
- **Free membership in Club Polk.** Club Polk members enjoy valuable services and benefits not available to the general public.
- A **free subscription** to Polk's newspaper *The Speaker Specialist*, to help you get better performance and more enjoyment from your audio system.



[www.polkaudio.com/car/registration](http://www.polkaudio.com/car/registration)

## Free Manuals Download Website

<http://myh66.com>

<http://usermanuals.us>

<http://www.somanuals.com>

<http://www.4manuals.cc>

<http://www.manual-lib.com>

<http://www.404manual.com>

<http://www.luxmanual.com>

<http://aubethermostatmanual.com>

Golf course search by state

<http://golfingnear.com>

Email search by domain

<http://emailbydomain.com>

Auto manuals search

<http://auto.somanuals.com>

TV manuals search

<http://tv.somanuals.com>