

Cutsheet for LC265i-IP/LC80i-IP

World's First Active High Performance IP Addressable Loudspeakers

Polk Audio LCi-IP Ultra High Performance In-Wall/ In-Ceiling Loudspeakers are the world's first active Internet Protocol-ready Loudspeakers. They were created for IP networked systems (such as the ground-breaking NetStreams™ Digilinx™ system). Integrated digital amplifiers eliminate remote amplifiers connected via hundreds of feet of performance-robbing speaker wires. The built-in Digital Signal Processor (DSP) and supplied Room Correction Software (the Performance Optimization Wizard™) enable every LCi-IP speaker to be optimized for maximum performance in any room. While the LCi-IP Series provides the greatest functionality when used within an IP-based system, these speakers are also compatible with any analog distributed audio system.

LC265i-IP Hardware (included)

- One LC265i-IP speaker
- Performance Optimization Wizard – CD-ROM
- Euro-style (Phoenix) power supply connector
- Mounting template
- Paint mask
- Weather-resistant aluminum grille and stainless steel hardware
- LCi-IP manual
- Laminated configuration setup card
- Registration card

Note: If you are setting up LCi-IP speakers to be controlled via an IP-network such as NetStreams™ Digilinx™, purchase a network card, which is sold separately, from NewStreams™. The network card will control up to one pair of speakers.

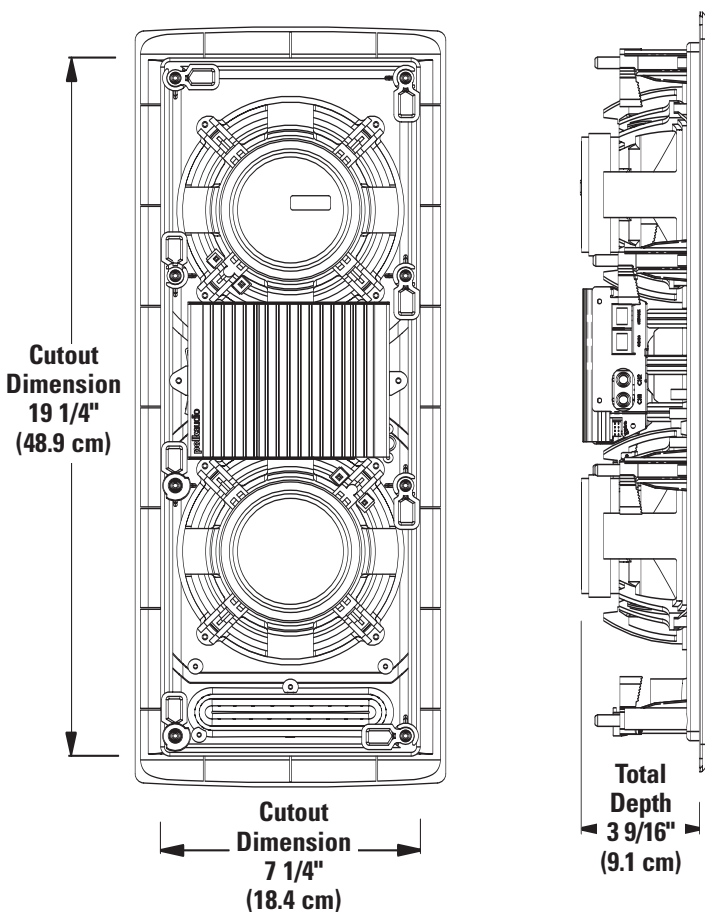
Important Note: If anything is missing or damaged, or if your LCi-IP speaker fails to operate, notify Polk Audio Installer Support Services immediately at 800-377-7655. Hours: Mon-Fri, 9am - 5:30pm EST.

Accessories (not included)

- Performance Enclosure for exact volume enclosure performance in pre-build installations. Improves bass performance and sound isolation. Model number: ENCL265.
- Speaker-level-to-line-level transformer, such as the PAC SNI-35. (For analog installations only. Powers up to 2 each LC265i-IP speakers.)
- SPS-1 Power Supply (a power supply is required).

LC265i-IP Performance Enclosure Dimensions

55 5/8" H x 14" W x 3 3/8" D (141.3cm x 35.6cm x 8.6cm)



LC265i-IP Dimensions

Overall Height	20 7/8" (55.5cm)
Overall Width	8 1/2" (30.4cm)

Available Finish: Paintable White

LC80i-IP Hardware

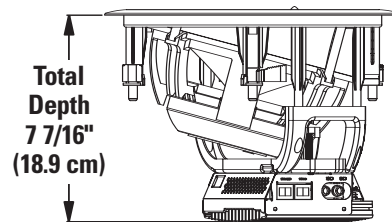
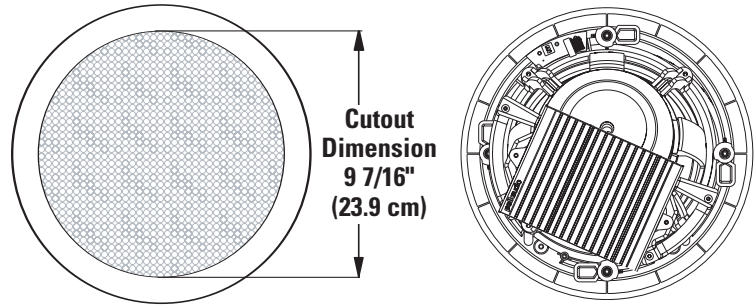
- One LC80i-IP speaker
- Performance Optimization Wizard – CD-ROM
- Euro-style (Phoenix) power supply connector
- Mounting template
- Paint mask
- Weather-resistant aluminum grille and stainless steel hardware
- LCi-IP manual
- Laminated configuration setup card
- Registration card

Note: If you are setting up LCi-IP speakers to be controlled via an IP-network such as NetStreams™ Digilinx™, purchase a network card, which is sold separately, from NewStreams™. The network card will control up to one pair of speakers.

Important Note: If anything is missing or damaged, or if your LCi-IP speaker fails to operate, notify Polk Audio Installer Support Services immediately at 800-377-7655.

Accessories (not included)

- Performance Enclosure for exact volume enclosure performance in pre-build installations. Improves bass performance and sound isolation. Model number: ENCL 80IP.
- Speaker-level-to-line-level transformer, such as the PAC SNI-35. (For analog installations only. Powers up to 4 each LC80i-IP speakers.)
- SPS-1 Power Supply (a power supply is required).



LC80i-IP Dimension

Outer Diameter 10 3/4" (27.3cm)

Available Finish: Paintable White

LC80i-IP Performance Enclosure Dimensions

20 5/8" H x 13" W x 9" D (51.8cm x 33.0cm x 22.9cm)

Power Supply

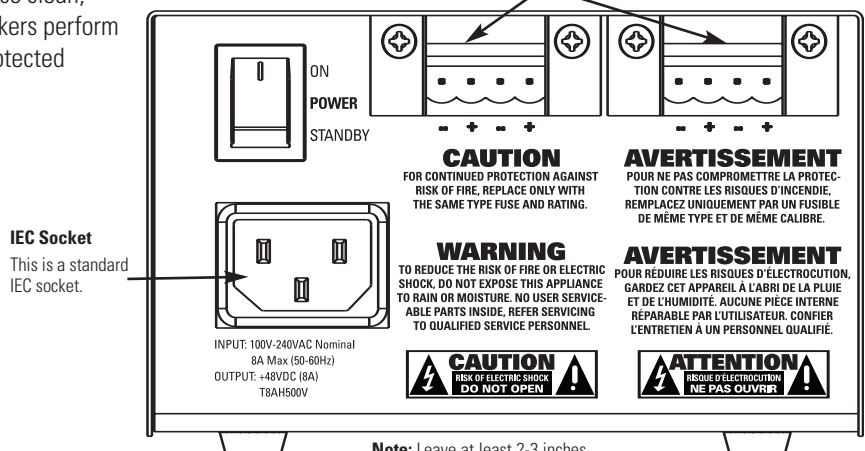
The SPS-1 power supply was specifically designed to produce clean, reliable power to ensure that all Polk Audio LCi-IP loudspeakers perform to their maximum capabilities. All output connectors are protected against short circuit and over current.

Specifications

Output	
Voltage	48VDC
Current	8A (Max continuous)
Input	
Voltage Range	100-240 VAC Nominal Auto Switching
Frequency	50-60Hz
Current Draw	8A (120V) 3.5A (240V)
Dimensions	
Width	4.9" (125mm)
Height	3.1" (79mm) , 3 11/16"(93.6mm) with feet
Length	14" (358mm)
Shipping Weight	8.4lbs (4kgs)
Protection	Thermal, short circuit, current/power overdraw
Fuse Replacement	T8AH500V

Power Connectors

For optimum performance, we recommend using 14-gauge, 4-conductor wire between the power supply and each amplifier (see the LCi-IP manual for other wiring options).



Note: Leave at least 2-3 inches of clearance on the sides and top of the power supply.

Capabilites

SPS-1 will power 2 LC265i-IP speakers or 4 LC80i-IP speakers.

LC265i-IP Specifications

PERFORMANCE

OVERALL FREQ. RESPONSE	20Hz-27kHz
FREQ. RESPONSE -3DB LIMIT	35Hz-27kHz
ANALOG AUDIO SIGNAL	
VOLTAGE INPUT (LINE-LEVEL) FULL OUTPUT	2V RMS
AMPLIFIER SNR	> 90DB
FIRMWARE UPGRADABLE	YES
MID-BASS DRIVER	1-6.5"(16.5CM) MINERAL POLYPROPYLENE CONE, RUBBER SURROUND;
WOOFER	1-6.5"(16.5CM) AERATED POLY-PROPYLENE CONE WITH 1.5" VOICE COIL
TWEETER	1" (2.5CM) RING RADIATOR IN SWIVEL MOUNT
OUTSIDE DIMENSIONS	8 1/2" X 20 7/8" (21.59CM X 53.04CM)
CUTOUT DIMENSIONS	7 1/4" X 19 1/4" (18.42CM X 48.90CM)
MOUNTING DEPTH (WITH 1/2" DRYWALL)	3 1/16" (7.78CM)
INSTALLED WEIGHT	8.7 LBS (3.9kg)
SHIPPING WEIGHT	11.6 LBS (5.3kg)

POWER CONTINUOUS RATINGS

200W speaker with < 0.5% THD+N (25W tweeter 4 Ohms, 75W mid 8 Ohms, 100W woofer 8 Ohms)

POWER REQUIREMENTS PER SPEAKER

VOLTAGE INPUT	48VDC
CURRENT DRAW	4.5A MAXIMUM

LC80i-IP Specifications

PERFORMANCE

OVERALL FREQ. RESPONSE	25Hz-27kHz
FREQ. RESPONSE -3DB LIMIT	40Hz-27kHz
ANALOG AUDIO SIGNAL	
VOLTAGE INPUT (LINE-LEVEL) FULL OUTPUT	2V RMS
AMPLIFIER SNR	> 90DB
FIRMWARE UPGRADABLE	YES
MID-BASS DRIVER	1-8"(20.3CM) COMPOSITE POLYPROPYLENE CONE, RUBBER SURROUND
TWEETER	1"(2.5CM) RING RADIATOR IN SWIVEL MOUNT
OUTSIDE DIMENSIONS	10 3/4" DIA (27.3CM)
CUTOUT DIMENSIONS	7 3/8" DIA (18.7CM)
MOUNTING DEPTH (WITH 1/2" DRYWALL)	6 15/16" (17.6CM)
INSTALLED WEIGHT	4.8 LBS (2.2kg)
SHIPPING WEIGHT	6.8 LBS (3.1kg)

POWER CONTINUOUS RATINGS

100W speaker with < 0.5% THD+N (25W tweeter 4 Ohms, 75W mid 4 Ohms)

POWER REQUIREMENTS PER SPEAKER

VOLTAGE INPUT	48V OR 28VDC
CURRENT DRAW	2.3A @ 48V, OR 3.8A @ 28V MAXIMUM

LC265i-IP and LC80i-IP Specifications

INHERENT DELAY

INHERENT DELAY FOR EACH SPEAKER IS:



-2.5 MILLISECONDS



-4.4 MILLISECONDS

ANY OTHER DELAY IS FROM THE MULTI-ROOM AUDIO VISUAL (MRAV).

PROTECTION CIRCUITRY

Thermal, short-circuit, current overdraw, clipping compressor/limiter, reverse polarity

CONTROLS AND ADJUSTMENTS (Performance Optimization Wizard Program)

COMPUTER REQUIREMENTS

OPERATING SYSTEM	WINDOWS XP
USB PORT	5-WIRE USB 1.1 CONNECTOR
HARD DRIVE	5 MEGABYTES

REQUIRED SPEAKER CONNECTIONS

TO CONNECT YOUR COMPUTER TO THE SPEAKER, YOU HAVE TWO OPTIONS:

1. USB PORT (ANALOG USE ONLY)
2. ETHERNET JACK WITH NETWORK DECODER CARD (SOLD SEPARATELY).

LC265i-IP/LC80i-IP Specifications (continued)

Connections

Wire Recommendations

Network Line

Shielded Cat5e or Cat6 cable with RJ-45 connectors. Wiring termination convention should be the same at both ends of the cable.

COMM Line

Shielded Cat5e or Cat6 cable with RJ-45 connectors. Wiring termination convention should be the same at both ends of the cable.

Analog Line

Low capacitance multi-stranded RCA shielded cable, or speaker wire with speaker-level-to-line-level transformer (such as the PAC SNI-35).

USB Connection

USB 1.1, 5-wire, USB to mini-USB cable.

Power Lines

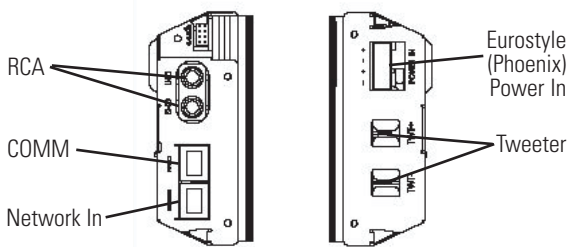
These recommendations are for all connections from the power supply to each speaker. 14/4 is recommended for all applications. If this is not possible, refer to this chart:

Wire length	Wire gauge/ # of Conductors
<50'	16/2
50-100'	16/4
>100'	14/4

Network Decoder Card

See Owner's Manual for installation instructions

Amplifier Connections



LCi-IP speakers are designed for use with analog and digital systems. The speakers perform equally well in either mode, though the digital mode offers greater control functionality. Speaker-level-to-line-level adapters are available for legacy analog systems where speaker wire is already run, allowing connection to RCA input of the speaker.

Recommended Configuration

LCi-IP Performance Optimization WizardSM Program

Polk Audio provides the Performance Optimization WizardSM on CD-ROM. This program enables you to optimize the performance characteristics of Polk Audio LCi-IP speakers specifically to their location in a given room and to the physical characteristics of that room. You can also download the Performance Optimization Wizard from our website

(www.polkaudio.com/downloads/po-wizard.exe).

Walking Through the Room Optimization Choices

- This program can be used for installing and setting up in-wall or in-ceiling LCi-IP speakers and asks basic configuration and room environment questions (figure1).

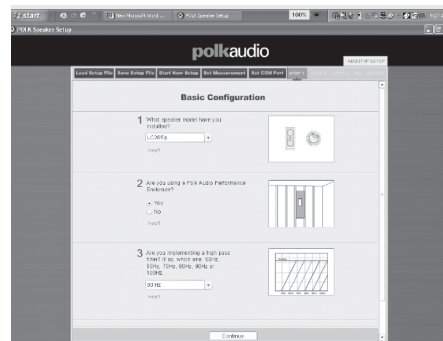


Figure 1

Depending on the speaker you're installing, its location and the room, you may be asked for a series of measurements, including the height of the listening room's ceiling, distances from walls, ceiling and floor to the speaker(s), as well as vertical and horizontal angles of speakers relative to the listening area. You may also be asked to provide measurements for the height, width, depth and center of the listening area (see the LCi-IP Owner's Manual for more).

Factory Support

For product support visit our website at www.polkaudio.com or Polk Audio Customer Service: 1-800-377-7655 (Outside US & Canada: 410-358-3600) Monday-Friday, 9:00 AM-6:00 PM EST, polkcs@polkaudio.com

For more information on the LCi-265IP and LCi-80IP log onto http://www.polkaudio.com/downloads/manuals/home/LCi-265IP_LCi-80IP_Manual.pdf.

Free Manuals Download Website

<http://myh66.com>

<http://usermanuals.us>

<http://www.somanuals.com>

<http://www.4manuals.cc>

<http://www.manual-lib.com>

<http://www.404manual.com>

<http://www.luxmanual.com>

<http://aubethermostatmanual.com>

Golf course search by state

<http://golfingnear.com>

Email search by domain

<http://emailbydomain.com>

Auto manuals search

<http://auto.somanuals.com>

TV manuals search

<http://tv.somanuals.com>