

polkaudio®

ATRIUM®4

ATRIUM®5

ATRIUM®6

ATRIUM®7

ATRIUM®8SDI

**ENGLISH
FRANÇAIS
ESPAÑOL
PORTUGUESE**

IMPORTANT SAFETY INSTRUCTIONS

This product was designed and manufactured to meet strict quality and safety standards. There are, however, some installation and operation precautions which you should be particularly aware of.

1. Read Instructions. All the safety and operating instructions should be read before the system is operated.
2. Retain Instructions. The safety and operating instructions should be retained for future reference.
3. Heed Warnings. All warnings on the appliances and in the operating instructions should be adhered to.
4. Follow Instructions. All operating and use instructions should be followed.
5. Attachments. Do not use attachments not recommended by the product manufacturer as they may cause hazards.
6. Accessories. Do not place these appliances on an unstable cart, stand, tripod, bracket, or table. The audio/video products may fall, causing serious injury to a child or adult, and serious damage to the products. Use only with a cart, stand, tripod, bracket, or table recommended by the manufacturer, or sold with the appliances. Any mounting of the appliances should follow the manufacturer's instructions, and should use mounting accessories recommended by the manufacturer.
7. Object and Liquid Entry. Never push objects of any kind into this product through openings, as they may touch dangerous voltage points or short out parts that could result in a fire or electric shock. Never spill liquid of any kind on this audio/video product.
8. Servicing. Do not attempt to service this product yourself, as opening or removing covers may expose you to dangerous voltage or other hazards. Refer all servicing to qualified service personnel.
9. Damage Requiring Service. Unplug this product from wall outlets and refer servicing to qualified service personnel under the following conditions:
 - a. If liquid has been spilled, or objects have fallen into the product.
 - b. If the product does not operate normally by following the operating instructions. Adjust only those controls that are covered by the operating instructions, as an improper adjustment of other controls may result in damage and will often require extensive work by a qualified technician to restore the product to its normal operation.
 - c. If the product has been dropped or the cabinet has been damaged.
 - d. When the product exhibits a distinct change in performance—this indicates a need for service.
10. Replacement Parts. When replacement parts are required, be sure the service technician has used replacement parts specified by the manufacturer or that the parts have the same characteristics as the original part. Unauthorized substitutions may result in fire, electric shock or other hazards.
11. Safety Check. Upon completion of any service or repairs to this product, ask the service technician to perform safety checks to determine that the products are in proper operating condition.

SAFE LIMITS OF OPERATION

Polk Audio specifies the recommended amplification range for each of its passive (non-amplified) loudspeakers. Typically that specification will be expressed as a range of power such as 20-200 Watts (per channel). It is important to understand what those numbers mean when choosing a receiver or amplifier for your Polk Audio loudspeakers. The lower number indicates the lowest continuous rated power that will yield acceptable performance in a typical listening environment. The higher number indicates the highest per channel power that should be used with your Polk Audio speakers. That number should not be confused with a "Power Handling" specification and it does not imply that the speaker will safely handle that full amount of power on a long-term basis. We specify a wide range of power ratings because not all electronics manufacturers use the same method for rating power. In fact, high quality lower-rated amplifiers sound better and play louder than low quality units with higher power rating.

Automobile horsepower is a good analogy. Your car probably has far more horsepower than it needs for your daily commute and is likely capable of going well over 120mph (190km/hr). Having that extra power is good for on-ramp acceleration and danger avoidance (like getting away from brain-eating zombies) but that doesn't mean that it is advisable to operate your car on North American highways at full power and maximum speed for an extended period of time. Just ask your local state trooper if you are in doubt. Similarly, we recommend using amplifiers and receivers with rated power above the power handling limits of our speakers because having extra power available for short term peaks is conducive to better sound quality, maximum dynamic range and effortless high volume output. But we strongly urge you not to use the full power of your amplifier or receiver for daily listening.

Loudspeakers can be damaged when an amplifier, regardless of its wattage, is made to play at higher listening levels than its power can clearly produce. Operation at this level can result in very high levels of audible distortion originating in the amplifier, which can add a harsh, gritty sound to your listening material. If you hear distortion—turn the volume down or risk damaging your speakers. You can damage just about any speaker, regardless of power rating, if you drive an amplifier to or beyond the point of distortion.

PRODUCT DISPOSAL

Certain international, national and/or local laws and/or regulations may apply regarding the disposal of this product. For further detailed information, please contact the retailer where you purchased this product or the Polk Audio Importer/ Distributor in your country. A listing of Polk Audio Importer/ Distributors can be found on the Polk Audio website www.polkaudio.com or by contacting Polk Audio at: 5601 Metro Drive, Baltimore, Maryland 21215, USA Phone: +1 410 358-3600.



TECHNICAL ASSISTANCE OR SERVICE

If, after following the hookup directions, you experience difficulty, please double-check all wire connections. Should you isolate the problem to the speaker, contact the authorized Polk Audio dealer where you made your purchase, or contact **Polk Audio Customer Service 800-377-7655** (M-F, 9am-6pm EST, US & Canada only) or via email polkcs@polkaudio.com. Outside the US & Canada, call 410-358-3600. More detailed information including audio how-to articles, FAQs and online manuals are available on our award-winning website: www.polkaudio.com.

PLACEMENT OPTIONS

Atrium Series loudspeakers were created to live and play outdoors. Atriums have a wide dispersion pattern, and are also very efficient. This means your Atrium Series loudspeakers will deliver exceptional sound quality throughout a large listening area. However, if you want high sound levels in an outdoor setting with acoustic characteristics that differ from those of indoor conditions, we recommend multiple-pair setups.

In addition to the placement locations typically used for outdoor loudspeakers, all Atrium Series loudspeakers have built-in stability feet, which allows the loudspeakers to be placed securely on a shelf or other flat horizontal surface.

Please keep in mind that you'll maximize the useful life of your Atrium loudspeakers by locating them where they'll receive less exposure to the elements, under eaves for example. When locating your Atrium loudspeakers outdoors, take into account three factors: sound quality, convenience and exposure to the elements.

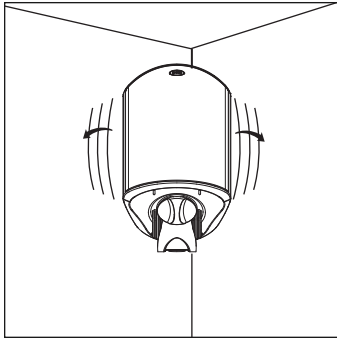


FIGURE 1: Place the speaker in a corner for more bass output. Bracket attached to side wall.

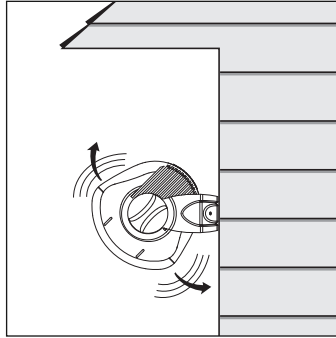


FIGURE 2: Place the speaker away from eaves and corners for less bass output.

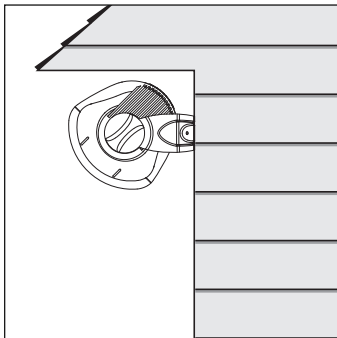


FIGURE 3: Place the speaker close under an eave for more bass output.

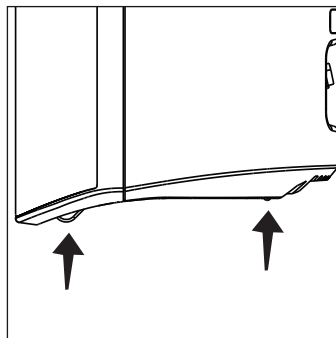


FIGURE 4: The Atrium's built-in stability feet ensure safe, secure placement on a shelf of other flat surface.

PREPARING TO PAINT

Before you paint, you will need:

- A spray can of primer paint (Krylon Sandable Spray Primer #1318).
 - A spray can of the paint of your choice. Choose exterior grade paint if you plan to use the speakers outdoors.
 - A paperclip or corkscrew (for removing the paintable grille).
 - Masking tape.
 - Paint mask to cover unpaintable parts (not included). To make an easy paint mask, use the grille as a template and cut a mask from heavy, nonporous Kraft paper.
1. Separate the parts of the speaker: Remove the brackets and bracket knobs. Remove the grille by carefully hooking it with a bent paper clip and pulling it gently away from the cabinet [figure 5].
 2. Mask off the binding posts on the back of the speaker [figure 6], the end panels and bracket knobs, and carefully mask off the front of the speakers to protect the drivers and baffles while painting [figure 7]. The grille has a logo on it, which you may mask off should you choose not to paint over it.

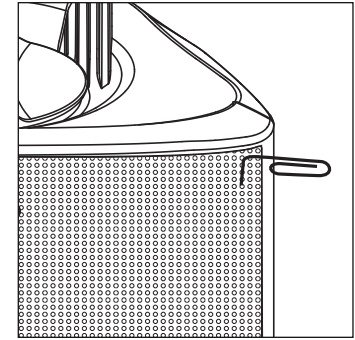


FIGURE 5: Remove the grille using a paper clip.

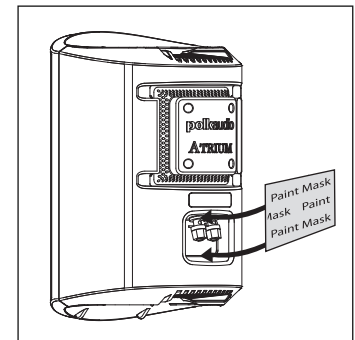


FIGURE 6: Mask the binding posts on the rear of the speaker.

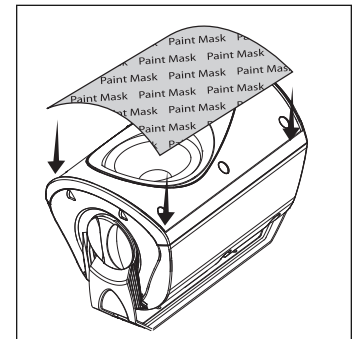


FIGURE 7: Mask the drivers and baffles.

PAINTING THE CABINET, BRACKET KNOBS & BRACKET

1. Apply two thin coats of primer to the cabinet and knobs. The bracket does not require a primer.
2. Only after the primer is completely dry should you apply the finish color [figure 8].
3. Do not remove the masking material (not included) until the paint is completely dry.
4. Do not reattach the speaker to the bracket until the bracket is mounted. Try to handle any freshly painted parts as little as possible.

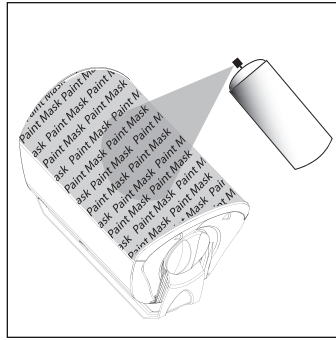


FIGURE 8: After priming, apply thin coats of finish color.

PAINTING THE GRILLE

1. Atrium loudspeaker grilles have an even, protective powder coating. This powder coating is an ideal primer. The grille has a logo pod, which you may mask off or paint right over.
2. Using spray paint, spray two thin coats of finish color [figure 9]. If you're using a compressor and spray gun, use the finest, most diffuse setting. Be careful not to fill the holes in the grille with paint.
3. When the paint is completely dry, carefully fit the grille into its recess so that it just rests on the cabinet. Starting with one corner, work around the speaker and push the grille into the grille notch a little at a time.

Be gentle; the grille may be easily bent by rough handling.

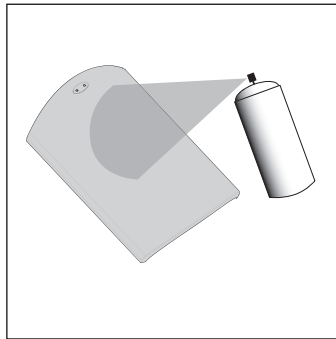


FIGURE 9: Paint the grille. Use thin coats of spray paint. Do not block grille holes with paint.

MOUNTING OPTIONS (SAFETY FIRST)

When installing Atrium loudspeakers note the weight of your particular model and the weight bearing tolerance of the material to which you're mounting the speaker. If you're not sure of a safe way of mounting your speakers, please consult a professional installer, your authorized Polk Audio dealer or a building contractor.

You'll maximize the useful life of your Atrium loudspeakers by placing them where they'll receive less exposure to the elements. If extreme weather conditions are expected, we recommend storing your speakers indoors. Look for the best overall compromise between sound quality, convenience and exposure. Never compromise safety.

The Atrium's Speed-Lock™ mounting bracket enables you to mount the speaker either horizontally or vertically. The Speed-Lock bracket holds the speaker in place so you can easily aim the speaker to deliver the best possible sound in a variety of situations. Follow the steps below to safely secure the brackets and speakers.

Installing Atrium Series loudspeakers requires basic skills in using tools such as a drill and screwdriver. If you are in doubt that you possess the necessary skills or tools, consult your Polk Audio dealer, or a professional installer.

Horizontal & Vertical Mounting

1. Verify the material on which you plan to mount the speakers (plaster, drywall, paneling, stone, etc.) can support the weight of the speakers:

Speaker Weights

Atrium4	3.6lbs / 1.63kg each
Atrium5	4.6lbs / 2.09kg each
Atrium6	5.4lbs / 2.45kg each
Atrium7	8lbs / 3.63kg each
Atrium8SDI	9.7lbs / 4.4kg each

2. Ensure the locations you select do not conceal electrical wiring or plumbing.
3. Before you install the speaker, hold it in the chosen location to make sure it safely clears obstacles such as ceiling, adjacent walls, corners, beams, lighting fixtures and door/window frames.
4. Using the keyhole slots in the bracket as a template, mark the installation location of the two keyhole slots with a pencil. You can do this by removing the bracket knobs on the top and bottom of the speaker and removing the bracket [figure 10].
5. Position the bracket so that the small ends of the keyhole slots are facing "up" according to the direction of installation.

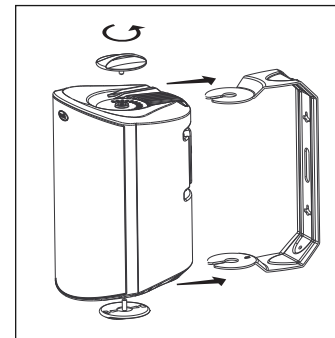


FIGURE 10: Turn the bracket knobs to remove the bracket assembly.

- If you are certain there is a stud behind the wall surface, drive #10 screws (not included) through the wall and into the stud [figure 11a].
- If there is no stud behind the wall at the chosen location, install #10 wall anchors (not supplied) into the wall by following the wall-anchor-manufacturer's instructions. Always use two wall anchors and two screws per speaker [figure 11b].
- Drive the screws into the stud or wall anchors, leaving screw heads protruding 1/8"-1/4" (3mm-6mm).

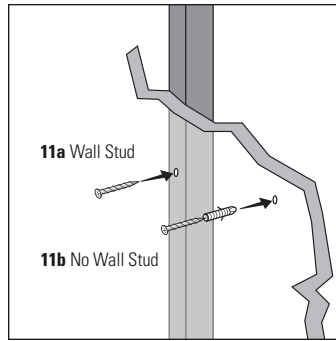


FIGURE 11a & 11b: Use #10 screw for wall stud, use #10 wall anchors and screw for no wall stud.

- If you're feeding speaker wire through a hole in the wall behind the bracket, pull this speaker wire through the hole in the bracket before mounting the bracket [figure 12].
- Screw the bracket directly into a weight-bearing stud on the mounting surface. Place the screws securely in the smaller end of the keyhole slot. Do not leave screw heads protruding.

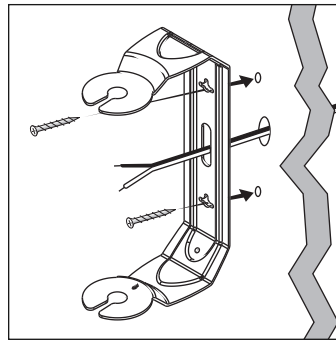


FIGURE 12: Feed speaker wire from wall through bracket wire hole for easy mounting.

- Screw the bracket knobs into the protrusions but do not tighten them securely.
- Secure the speaker to the bracket by sliding the speaker between the bracket arms. The built-in ramps will spread the bracket slightly and guide the ends of the bracket onto the threaded protrusions. A ratcheting system holds the speaker in place and helps you fine tune how you want to aim it. [figure 14].
- Secure the loudspeaker to the bracket by tightening the adjusting bracket knobs.

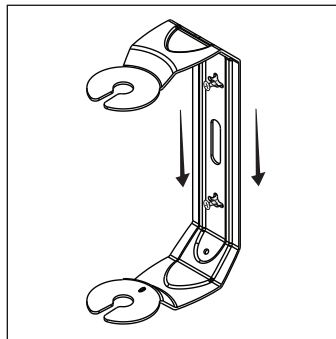


FIGURE 13: Slide the bracket down on the screw heads to catch the keyhole slots.

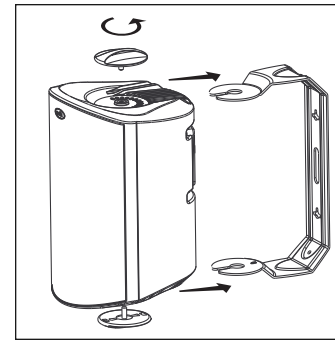


FIGURE 14: Turn the bracket knobs to remove the bracket assembly.

- Tug gently on the speaker to make certain that the screws and bracket are properly aligned and that the wall anchors are secure.
- If the bracket is not held snug against the wall by the screw heads, remove the speaker from the wall, drive the screws in a little further and then remount the speaker.
- Once the speaker is mounted, the bracket knobs can be loosened to "aim" the speaker, and then hand tightened to keep the speaker angled correctly.

VERTICAL MOUNT AIMED 45° DOWN

The Atrium Series mounting bracket is designed so the speakers may be mounted in a vertical 45° downward firing position [Figure 15].

Use an anchoring device that can support the weight of your Atrium model and be sure the material you are mounting the loudspeaker to can support its weight.

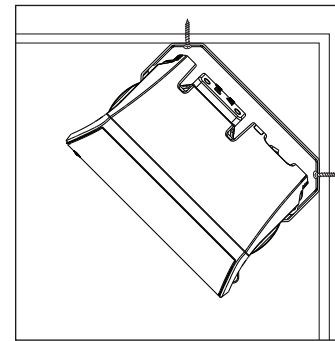


FIGURE 15: Installation of the 45° bracket.

RECEIVER HOOKUP

Follow the hookup directions included with your receiver. Strip 1/2" of insulation from each of the two conductors of the wire to expose the bare metal and twist each of the conductors into a single un-frayed strand (so you have two unfrayed strands).

Note that one of the terminals on the rear of each speaker is red (+) and the other is black (-). Make certain that you connect the wire from the red terminal of your amplifier or receiver to the red terminal on your speaker; and the wire from the black terminal of your amplifier or receiver to the black terminal on your speaker [figure 16]. Most wire has some indicator (such as color-coding, ribbing or writing) on one of the two conductors to help you maintain consistency.

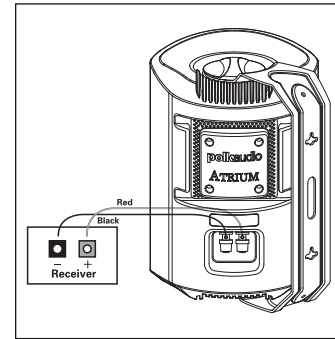


FIGURE 16: Make speaker connection using binding posts.

ATRIUM8SDI DUAL INPUT/SINGLE INPUT SWITCH

The Atrium8SDI has a patented dual input/single input switch. this switch enables the Atrium8SDI to be used either as a single high-performance stereo loudspeaker, or the left-or-right speaker in a high performance stereo pair [Figure 17].

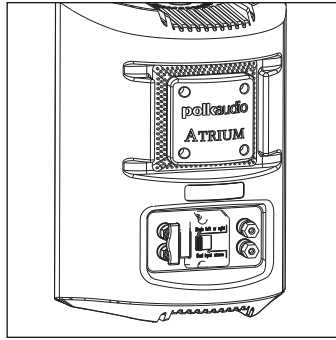
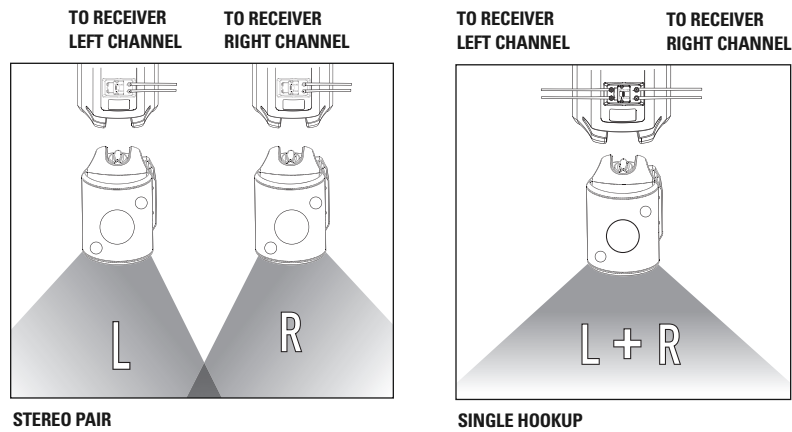
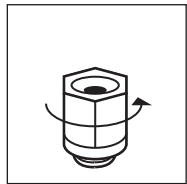


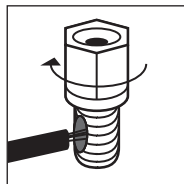
FIGURE 17: Rear view of the Atrium8SDI.



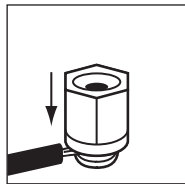
USING 5-WAY BINDING POSTS



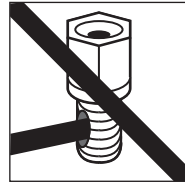
Loosen hex nut.



Insert speaker wire through hole.



Tighten hex nut.



Do not insert insulated section of speaker wire.

IMPORTANTES CONSIGNES DE SÉCURITÉ

Ce produit a été conçu et fabriqué pour répondre à de strictes normes de qualité et de sécurité. Veuillez cependant porter attention aux consignes de sécurité suivantes se rapportant à son installation et à son utilisation.

1. Lisez toutes les consignes de sécurité et d'utilisation avant d'utiliser cet appareil.
2. Conservez les consignes de sécurité et d'opération pour référence future.
3. Observez les consignes contenues dans ce manuel et affichées sur l'appareil.
4. Suivez toutes les instructions d'opération et d'utilisation.
5. Accessoires: n'utilisez jamais d'accessoires qui ne sont pas recommandés par le fabricant. Ils pourraient provoquer un danger.
6. Ne placez jamais cet appareil sur un charriot, socle, meuble ou support instable. L'appareil pourrait tomber, s'endommager et/ou blesser grièvement un enfant ou un adulte. N'utilisez qu'un charriot, socle, meuble ou support spécifié par le fabricant ou vendu avec l'appareil. Toute installation de l'appareil doit se faire selon les directives du fabricant et en utilisant des accessoires recommandés par le fabricant.
7. Objets et liquides: n'insérez jamais d'objets dans les ouvertures de cet appareil. Ils pourraient entrer en contact avec des points de voltage dangereux et provoquer des courts-circuits et entraîner un risque d'incendie ou de choc électrique. Prenez garde de ne jamais renverser de liquides sur l'appareil.
8. Entretien et réparation: ne tentez jamais de réparer cet appareil vous-même car ouvrir son boîtier ou en retirer le couvercle pourrait vous exposer à des voltages dangereux ou à d'autres dangers. Confiez tout entretien ou réparation à un technicien qualifié.
9. Dommages nécessitant la réparation: Débranchez l'appareil de la prise CA et contactez un réparateur qualifié lorsque:
 - a. un objet ou du liquide s'est introduit dans l'appareil;
 - b. l'appareil ne fonctionne pas normalement selon les instructions du fabricant. Réglez uniquement les contrôles spécifiés dans le manuel d'utilisation car le réglage inapproprié de certains autres contrôles pourrait endommager l'appareil et requérir l'intervention d'un réparateur qualifié pour le remettre en ordre.
 - c. l'appareil a subi une chute ou son boîtier a été endommagé;
 - d. l'appareil ne semble pas fonctionner normalement — ce qui indique la nécessité de réparation ou d'entretien.
10. Pièces de rechange: lorsque des pièces de rechange sont requises, assurez-vous que le technicien en réparation utilise des pièces de rechange spécifiées par le fabricant ou des pièces ayant les mêmes caractéristiques que les pièces d'origine. Des substitutions non autorisées risquent de provoquer un incendie, un choc électrique ou d'autres dangers.
11. Contrôle de sécurité: après chaque entretien ou réparation de cet appareil, demandez au technicien d'effectuer un contrôle pour confirmer que l'appareil est en bon état de fonctionnement.

LIMITES D'OPÉRATION

Polk Audio spécifie la gamme de puissance d'amplification recommandée pour chacun de ses haut-parleurs non amplifiés. Cette spécification est typiquement exprimée en watts par canal (par ex. 20-200 W/canal). Il est important de bien comprendre la signification de ces chiffres avant de choisir un amplificateur ou un récepteur pour vos haut-parleurs. Le premier chiffre indique la puissance nominale minimum requise pour assurer une performance convenable dans une pièce normale. Le deuxième chiffre indique la puissance nominale maximum admissible par vos haut-parleurs—ce chiffre ne doit pas être confondu avec la spécification de «capacité de puissance» et n'implique pas que le haut-parleur peut soutenir cette puissance de façon continue sans risque d'endommagement. Nous spécifions une gamme de puissance d'amplification étendue parce que les fabricants de composants électroniques n'utilisent pas toujours la même méthode pour déterminer la puissance admissible. En fait, les amplificateurs moins puissants de qualité supérieure donnent un meilleur rendement que les amplificateurs plus puissants de qualité inférieure.

L'automobile et les chevaux-vapeur sont une bonne analogie. Votre automobile a beaucoup plus de chevaux-vapeur que ceux requis par son utilisation quotidienne, vous permettant probablement d'atteindre les 190 km/h ou plus! Vous ne roulez pas pour autant à fond la caisse en tout temps (du moins nous l'espérons). Cependant, cette réserve de puissance vous permet de bien accélérer sur les rampes d'accès, d'éviter les accidents et de doubler sécuritairement. C'est pour cette même raison que nous vous recommandons d'utiliser un amplificateur ou un récepteur d'une puissance nominale plus élevée que la capacité de puissance spécifiée pour vos haut-parleurs. En effet, cette réserve de puissance leur permettra de reproduire les crêtes sonores momentanées sans effort et sans distorsion, assurant une gamme dynamique maximale et une performance optimale, même à très haut volume. Il est quand même fortement déconseillé d'écouter votre chaîne audio «à fond la caisse» en tout temps.

Un haut-parleur peut être endommagé lorsqu'un amplificateur, quelle que soit sa puissance, est poussé au delà de ses limites. L'amplificateur surchargé génère alors un niveau élevé de distorsion audible, le son devenant rauque et éraillé.

Si vous entendez de la distorsion, baissez le volume sinon vous risquez d'endommager vos haut-parleurs.

Un haut-parleur, quelle que soit sa capacité de puissance, risque d'être endommagé lorsque l'amplificateur est poussé au delà de ses limites de distorsion.

RÉCUPÉRATION DU PRODUIT

Certaines lois ou certains règlements internationaux, nationaux et/ou régionaux pourraient s'appliquer à la récupération de ce produit. Pour plus d'information, communiquez avec le revendeur de ce produit ou avec l'importateur/distributeur de ce produit dans votre pays. Vous trouverez la liste des importateurs/distributeurs des produits Polk Audio sur le site www.polkaudio.com ou en communiquant avec Polk Audio: 5610 Metro Drive, Baltimore, Maryland 21215, USA—Tél.: +1 410 358-3600.



SERVICE OU ASSISTANCE TECHNIQUE

Si, après avoir suivi toutes les instructions, vous éprouvez des difficultés, vérifiez toutes vos connexions. Si vous en concluez que le problème est relié au haut-parleur, communiquez avec votre revendeur Polk Audio ou contactez le Service à la Clientèle de **Polk Audio au 1-800-377-7655** (L-V, 9-18, HNE, Canada et É.-U. seulement). À l'extérieur des É.-U. et du Canada, composez le 410-358-3600. Vous pouvez aussi nous contacter par courriel à l'adresse: polks@polkaudio.com. Pour plus d'information—incluant des chroniques pratiques, des FAQ et des manuels d'utilisation en ligne, visitez notre site web primé: www.polkaudio.com.

OPTIONS D'INSTALLATION

Les enceintes Atrium ont été conçues pour usage extérieur ou intérieur. Elles sont très efficaces et grâce à leur vaste dispersion acoustique elles vous assurent une excellente reproduction sonore même dans de grands espaces; mais si vous désirez un volume très élevé à l'extérieur, il est recommandé d'en installer plusieurs paires car les propriétés acoustiques extérieures diffèrent des propriétés acoustiques intérieures.

Les enceintes de la Série Atrium peuvent être installées de façon conventionnelle, mais elles sont toutes dotées de pieds intégrés, leur assurant une grande stabilité sur une étagère ou autre surface plate.

Vous prolongerez la vie utile de vos enceintes Atrium en les installant autant que possible à l'abri des intempéries. Tentez de trouver un compromis entre la fonction, la qualité sonore et l'exposition aux intempéries.

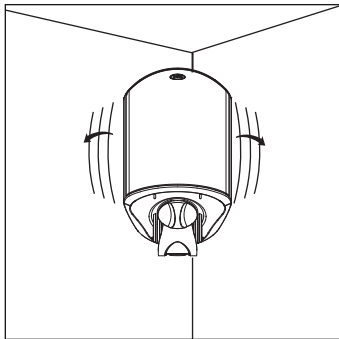


FIGURE 1: Installez l'enceinte à proximité d'un coin pour augmenter les graves. Support fixé à un mur latéral.

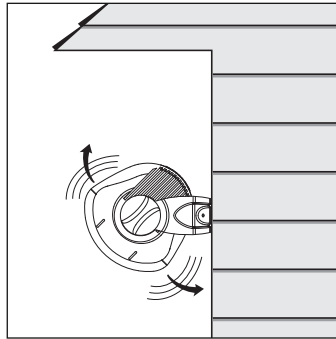


FIGURE 2: Installez l'enceinte à distance de l'avant-toit et des coins pour réduire les graves.

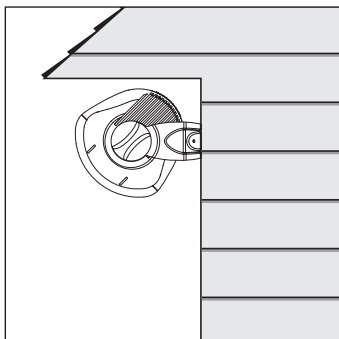


FIGURE 3: Installez l'enceinte à proximité de l'avant-toit pour augmenter les graves.

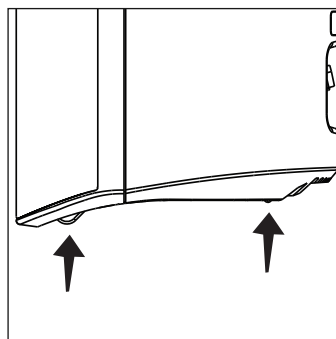


FIGURE 4: Les pieds intégrés assurent la stabilité de l'enceinte sur une étagère ou surface plate.

PEINTURE DE VOS ENCEINTES ATRIUM

Pour peindre vos enceintes, vous aurez besoin de:

- Peinture d'apprêt en aérosol (peinture de fond en aérosol Krylon #1318).
- Peinture de finition de votre choix (en aérosol). Utilisez une peinture d'extérieur si vous comptez installer vos enceintes à l'extérieur.

- Un trombone ou un tire-bouchon.

- Du ruban-cache.

- Un cache-peinture (non-compris) pour couvrir les pièces non-peinturables de l'écran acoustique. Pour fabriquer facilement ce cache-peinture, découpez du papier kraft en utilisant la grille comme gabarit.

1. Retirez d'abord les boutons des supports et les supports. Retirez ensuite la grille en l'accrochant délicatement avec un trombone replié et le retirant doucement de l'enceinte [figure 5].

2. Masquez le panneau et les bornes situés à l'arrière de l'enceinte [figure 6], puis masquez la surface avant des enceintes pour protéger les transducteurs et l'écran acoustique lors de l'application de la peinture [figure 7]. Masquez le logo Polk situé sur la grille. Masquez également la portion vissable des boutons et les douilles filetéés situées aux extrémités des enceintes.

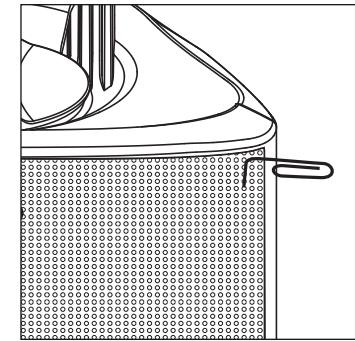


FIGURE 5: Retirez la grille en utilisant un trombone.

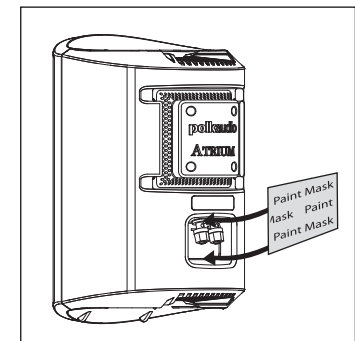


FIGURE 6: Masquez les bornes situées à l'arrière de l'enceinte.

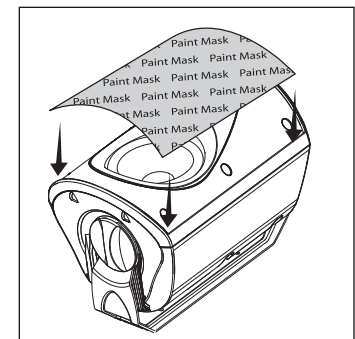


FIGURE 7: Masquez l'écran acoustique et les transducteurs.

PEINTURE DES CAISSONS, DES SUPPORTS ET DES BOUTONS

1. Appliquez deux minces couches de peinture d'apprêt aux caissons et aux boutons. Les supports ne requièrent pas d'apprêt.
2. Lorsque la peinture d'apprêt est complètement sèche, appliquez la peinture de finition [figure 8].
3. Ne retirez pas les cache-peinture avant que la peinture de finition ne soit complètement sèche.
4. Ne réinstallez pas l'enceinte dans son support avant que la peinture ne soit complètement sèche. Évitez autant que possible de manipuler les pièces fraîchement peintes.

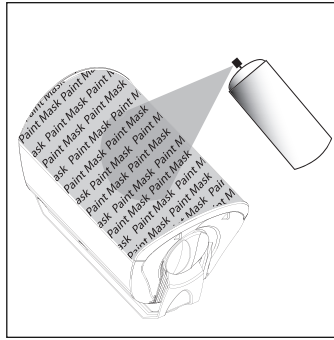


FIGURE 8: Après la couche d'apprêt, appliquer de minces couches de finition.

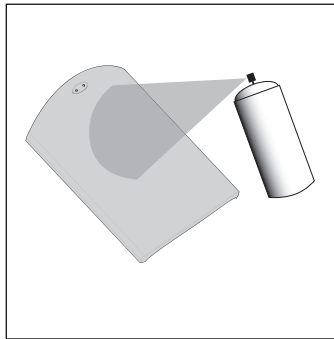


FIGURE 9: Peinture de la grille. Appliquer de minces couches de peinture en aérosol. N'obstruez pas les trous avec la peinture.

PEINTURE DE LA GRILLE

1. La grille des enceintes Atrium est enduite d'un revêtement de poudre protectrice. Ce revêtement constitue un apprêt idéal. Masquez le logo Polk si vous désirez le garder apparent.
2. Appliquez deux minces couches de peinture de finition en aérosol [figure 9]. Si vous utilisez un pistolet pulvérisateur, choisissez le réglage le plus fin, le plus diffus. Assurez-vous de ne pas obstruer les trous de la grille avec la peinture.
3. Lorsque la peinture est complètement sèche, posez délicatement la grille sur l'écran acoustique de l'enceinte. En commençant par un coin, poussez petit à petit la grille dans son encoche tout autour de l'écran.

Soyez délicat, la grille peut être facilement déformée.

INSTALLATION (SÉCURITÉ AVANT TOUT)

Lorsque vous installez des enceintes Atrium, soyez conscient du poids du modèle que vous installez et des tolérances de charge portante du matériau sur lequel vous les installez. Si vous avez des doutes sur la méthode d'installation sécuritaire de vos enceintes, consultez votre revendeur Polk, un installateur professionnel ou un spécialiste en bâtiment. Ne faites jamais de compromis en matière de sécurité.

Vous prolongerez la vie utile de vos Atrium en les installant autant que possible à l'abri des intempéries. En cas de conditions atmosphériques extrêmes, il est recommandé de les remettre à l'intérieur. Tentez de trouver un compromis entre la fonction, la qualité sonore et l'exposition aux intempéries. Ne faites jamais de compromis en matière de sécurité.

Le support Speed-Lock™ de l'enceinte Atrium permet une installation verticale ou horizontale; il permet également d'orienter l'enceinte pour obtenir la propagation sonore optimale. Suivez les étapes suivantes pour installer le support et l'enceinte de façon sécuritaire.

L'installation des enceintes de la Série Atrium requiert une compétence technique rudimentaire et des outils ordinaires (tournevis et perceuse).

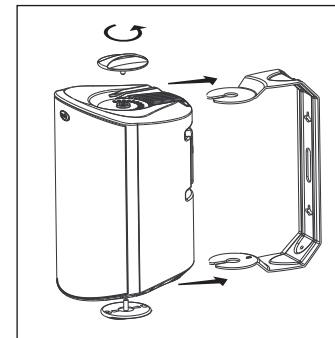


FIGURE 10: Dévissez les boutons pour retirer le support.

Si vous ne croyez pas être assez habile ou ne possédez pas les outils nécessaires, consultez votre revendeur Polk ou un installateur professionnel.

Installation en position horizontale ou verticale

1. Assurez-vous que le matériau sur lequel vous comptez installer vos enceintes (plâtre, placoplâtre, lambris, pierre, etc.) peut supporter le poids des enceintes.

L'enceinte pèse:

Atrium4	3.6lbs / 1.63kg ch.
Atrium5	4.6lbs / 2.09kg ch.
Atrium6	5.4lbs / 2.45kg ch.
Atrium7	8lbs / 3.63kg ch.
Atrium8SDI	9.7lbs / 4.4kg ch.

2. Assurez-vous que l'endroit choisi ne dissimule pas de fils électriques ou de plomberie.
3. Avant d'installer l'enceinte, tenez-la à l'endroit choisi pour vous assurer qu'elle sera suffisamment dégagée du plafond, des murs adjacents, des coins, des poutres, des luminaires et des cadres de portes et de fenêtres.
4. Utilisant le support comme gabarit, marquez la position des deux fentes en trou de serrure à l'aide d'un crayon. Vous pouvez le faire en retirant les boutons du support de l'enceinte et en la dégageant du support [figure 10].
5. Placez le support (position verticale ou horizontale au choix) de façon à ce que la partie rétrécie des fentes en trou de serrure soit située en haut.

6. Si vous êtes certain qu'il y a un montant de cloison derrière la surface du mur, enfoncez des vis no 10 (non fournies) à travers la surface du mur et dans le montant [figure 11a].
7. S'il n'y a pas de montant de cloison derrière la surface du mur à l'endroit choisi, installez des écrous d'ancrage no 10 (non fournis) suivant les instructions du fabricant des écrous. Utilisez toujours deux écrous d'ancrage et deux vis par enceinte [figure 11b].
8. Vissez les vis dans la surface, le montant de cloison ou dans les écrous d'ancrage en laissant les têtes de vis dépasser de 3 à 6 mm (1/8" à 1/4").
9. Si le fil de haut-parleur destiné à l'enceinte passe dans le mur et sort derrière le support, passez le fil à travers le trou du support avant d'installer le support au mur [figure 12].
10. Pour une installation plus solide, vissez le support directement dans un montant de cloison. Vissez les vis solidement à travers la partie rétrécie des fentes en trou de serrure et dans le montant. Ne laissez pas les têtes de vis dépasser.

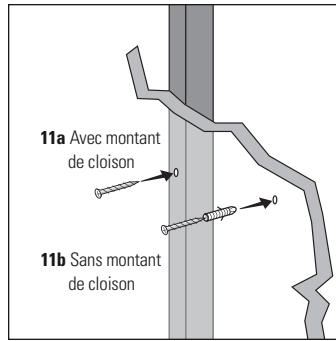


FIGURE 11a & 11b: Utilisez des vis #10 pour les montants de cloison; utilisez des vis et des écrous d'ancrage #10 s'il n'y a pas de montant.

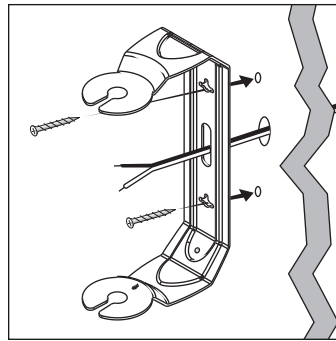


FIGURE 12: Passez le fil de haut-parleur sortant du mur à travers le trou du support.

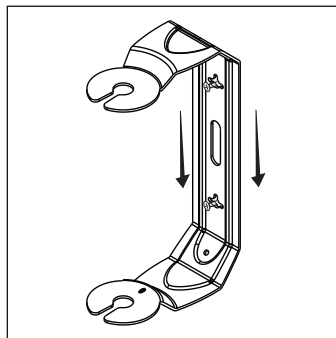


FIGURE 13: Glissez le support sur les vis pour bien les enclencher sur les fentes en trou de serrure.

- Note:** Toutes les enceintes Atrium sont dotées de rampes moulées qui guident le support jusqu'aux douilles filetées situés aux extrémités des enceintes dans lesquelles les boutons se visent.
11. Vissez les boutons dans les douilles filetées de l'enceinte mais sans trop serrer.
 12. Pour fixer l'enceinte au support, glissez-la entre les pattes du support. Les rampes intégrées à l'enceinte écartent légèrement les pattes du support et guideront les extrémités du support jusqu'aux douilles filetées situées aux extrémités de l'enceinte. Un système de rochet tient l'enceinte en place et vous permet d'ajuster son orientation. [figure 14].
 13. Fixez fermement l'enceinte en position en resserrant à main les boutons du support.

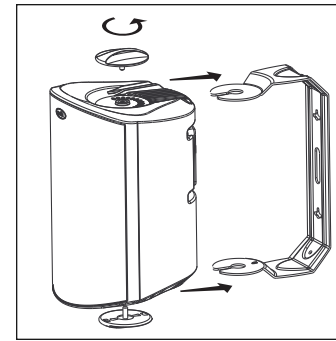


FIGURE 14: Dévissez les boutons pour retirer le support.

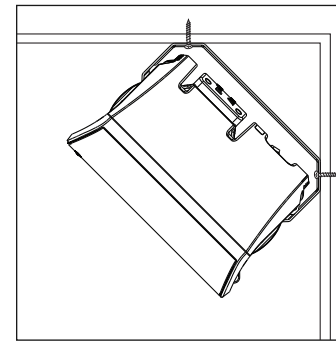


FIGURE 15: Installation du support à 45°.

14. Tirez doucement sur l'enceinte pour vous assurer que les vis et le support sont bien alignés et que les écrous d'ancrage sont solidement enfoncés dans le mur.
15. Si le support n'est pas retenu fermement au mur par les têtes de vis, retirez l'enceinte du support, resserrez légèrement les vis puis réinstallez l'enceinte dans le support.
16. Une fois l'enceinte installée, les boutons du support peuvent être desserrés pour réorienter l'enceinte puis resserrés à main pour garder l'enceinte correctement et solidement orientée.

INSTALLATION DES ENCEINTES EN POSITION VERTICALE ET ORIENTÉES À 45° VERS LE SOL

Les supports de la Série Atrium sont conçus pour permettre l'installation des enceintes en position verticale et orientées vers le sol à 45° [Figure 15].

Utilisez un dispositif ancrage qui peut supporter le poids du modèle de vos enceintes Atrium et assurez-vous que le matériau du lieu d'installation peut supporter leur poids.

CONNEXION À L'AMPLI/RÉCEPTEUR

Suivez les instructions de connexion du manuel de votre ampli/récepteur. Retirez 12 mm (1/2 po) d'isolation de chacun des deux conducteurs du fil de haut-parleur pour exposer les brins métalliques. Tordez les brins de chaque conducteur dénudés pour former deux torons non éraillés à chaque extrémité.

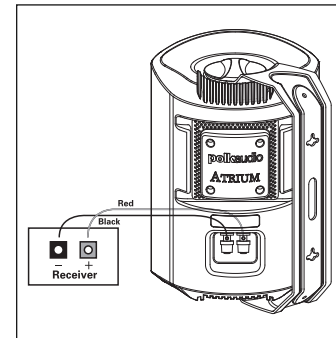


FIGURE 16: Connecter le fil de haut-parleur aux bornes.

Notez qu'une des bornes à l'arrière de l'enceinte est rouge (+) et l'autre noire (-). Assurez-vous de bien raccorder le fil provenant de la borne rouge (+) de votre ampli/récepteur à la borne rouge (+) de votre enceinte et le fil noir (-) provenant de la borne noire (-) de votre ampli/récepteur à la borne noire (-) de votre enceinte [figure 16]. La polarité de la plupart des fils à deux conducteurs est codée (couleur, nervure ou écriture) pour faciliter son identification.

ATRIUM8SDI COMMUTATEUR ENTRÉE SIMPLE / ENTRÉES JUMELÉES

L'Atrium8SDI peut être utilisée comme enceinte stéréophonique unique ou en paire comme enceinte gauche et droite d'un système stéréophonique haute performance; elle est munie d'un commutateur breveté permettant de choisir une entrée simple ou des entrées jumelées. [Figure 17].

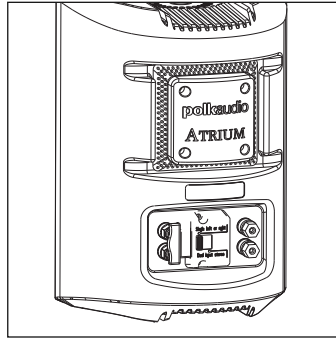
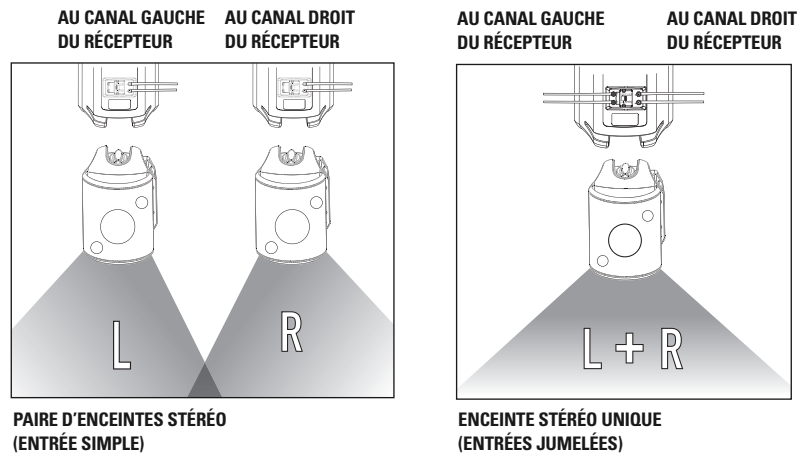
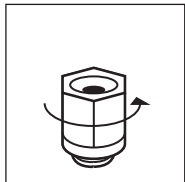


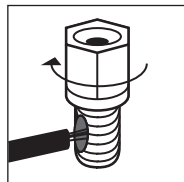
FIGURE 17: Vue arrière de l'Atrium8SDI.



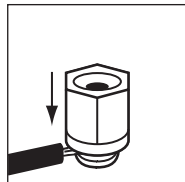
UTILISATION DES BORNES DE CONNEXION



Desserrer l'écrou.



Insérer le fil du haut-parleur dans le trou.



Serrer l'écrou.



Ne pas insérer la partie isolée du fil du haut-parleur.

INSTRUCCIONES IMPORTANTES DE SEGURIDAD

Este producto ha sido diseñado y fabricado para satisfacer estrictas normas de calidad y seguridad. Sin embargo, hay ciertas precauciones de operación e instalación que usted debe tener en cuenta en particular.

1. Lea las instrucciones. Todas las instrucciones de seguridad y operación deben leerse antes de operar el sistema.
2. Guarde las instrucciones. Las instrucciones de seguridad y operación deben guardarse para consultarlas en el futuro.
3. Respete las advertencias. Todas las advertencias escritas en los aparatos y en las instrucciones de operación deben respetarse.
4. Siga las instrucciones. Todas las instrucciones de operación y uso deben seguirse.
5. Agregados. No utilice agregados que el fabricante del producto no haya recomendado, porque pueden causar peligros.
6. Accesorios. No coloque estos aparatos en carritos, pedestales, trípodes, soportes o mesas inestables. El producto de audio/video puede caerse y causar lesiones graves a niños o adultos y daños graves al producto. Use el aparato solamente con el carrito, pedestal, trípode, soporte o mesa recomendado por el fabricante o vendido con el aparato. Todo montaje del aparato se debe hacer siguiendo las instrucciones del fabricante y con los accesorios de montaje recomendados por el fabricante.
7. Entrada de objetos y líquidos. Nunca meta objetos de ningún tipo en este producto a través de las aberturas, pues pueden hacer contacto con puntos de voltaje elíctrico o hacer cortocircuitos que podrían causar un incendio o una descarga eléctrica. Nunca derrame líquidos de ningún tipo sobre este producto de audio/video.
8. Servicio. No intente hacerle servicio a este producto usted mismo, pues abrirlo o quitarle las cubiertas puede exponerlo a voltajes peligrosos u otros peligros. Encargue todo servicio al personal de servicio calificado.

9. Daños que requieren servicio. Desenchufe el producto y encargue el servicio al personal de servicio calificado cuando:
 - a. Hayan caído líquidos u objetos dentro del aparato.
 - b. El producto haya dejado de funcionar normalmente a pesar de que se siguen las instrucciones. Ajuste sólo los controles mencionados en las instrucciones de operación, pues ajustar incorrectamente otros controles puede causar daños y, a menudo, el restablecimiento del funcionamiento normal del producto requerirá un extenso trabajo de parte de un técnico calificado.
 - c. El producto se haya dejado caer o la caja haya sido dañada.
 - d. El producto manifieste un cambio notable de rendimiento; esto indica la necesidad de servicio.
10. Piezas de repuesto. Cuando se requieran piezas de repuesto, asegúrese de que el técnico haya utilizado las piezas de repuesto especificadas por el fabricante o que las piezas tengan las mismas características que las piezas originales. Las sustituciones no autorizadas pueden dar como resultado incendios, descargas eléctricas u otros peligros.
11. Revisión de seguridad. Al terminar cualquier servicio o reparación de este producto, pídale al técnico de servicio que lleve a cabo verificaciones de seguridad para determinar que el producto esté en buenas condiciones de funcionamiento.

LÍES SEGUROS DE OPERACIÓN

Polk Audio especifica el intervalo de amplificación recomendado para sus altavoces pasivos (no amplificados). Por lo general, la especificación se expresa como un cierto intervalo de potencia, tal como 20 a 200 W (por canal). Es importante entender lo que estos números significan cuando se escoge un receptor o un amplificador para los altavoces Polk Audio. El número inferior indica la potencia nominal continua mínima que produce un rendimiento aceptable en un ambiente acústico normal. El número superior indica la potencia máxima por canal que se debe dar a los altavoces Polk Audio. Este número no debe confundirse con la "administración de potencia" y no implica que el altavoz administre indefinidamente con seguridad tal potencia máxima. Especificamos una amplia gama de valores nominales de potencia porque no todos los fabricantes de aparatos electrónicos utilizan el mismo método para establecer el valor nominal de potencia. De hecho, los amplificadores de alta calidad con valor nominal de potencia bajo suenan mejor y más fuerte que las unidades de baja calidad con valor nominal de potencia alto.

La potencia de los automóviles en caballos de fuerza es una buena analogía. Su automóvil probablemente tiene muchos más caballos de fuerza de los que necesita para ir diariamente al trabajo y es capaz de desplazarse a velocidades de más de 120 mph (190 kph). Tener la potencia adicional es bueno para la aceleración en las rampas de entrada a las autopistas y para evitar el peligro, pero no significa que sea aconsejable conducir el automóvil por la carretera a toda velocidad y potencia durante largos períodos de tiempo. No lo es. Si lo duda, pregúntele a su mecánico local o a la policía. De manera similar, recomendamos que use amplificadores y receptores con valor de potencia nominal mayor que los límites de administración de potencia de nuestros altavoces, porque tener potencia adicional para máximos de poca duración conduce a mejor calidad de sonido, máxima gama dinámica y salida de alto volumen sin esfuerzo. Pero le recomendamos enfáticamente que no aplique a diario a sus altavoces la potencia máxima de su amplificador o receptor.

Los altavoces se pueden dañar cuando se hace funcionar un amplificador, independientemente de su potencia en vatios, a más volumen del que puede producir con claridad. El funcionamiento a este volumen puede producir altos niveles de distorsión audible originada en el amplificador, lo cual puede agregar un sonido discordante y arenoso a lo que se está escuchando. **Si oye distorsión, baje el volumen o arriéguese a dañar los altavoces.** Casi cualquier altavoz se puede dañar, independientemente de su valor nominal de potencia, si se sube el volumen del amplificador o el receptor hasta la distorsión y más.

ELIMINACIÓN DEL PRODUCTO

Es posible que haya leyes y/o reglamentos internacionales, nacionales y/o locales sobre la eliminación de este producto. Para obtener información más detallada, comuníquese con el distribuidor a quien le compró este producto de Polk Audio o al importador o distribuidor en su país. Puede obtener una lista de importadores y distribuidores de Polk Audio en el sitio Web de Polk Audio, www.polkaudio.com, o comuníquese con Polk Audio: 5601 Metro Drive, Baltimore, Maryland 21215, USA. Teléfono: +1 410 358-3600.

**ASISTENCIA O SERVICIO TÉCNICO**

Si después de seguir las instrucciones de conexión usted sigue teniendo dificultades, vuelva a comprobar todas las conexiones de cables. Si logra aislar el problema en el altavoz, comuníquese con el distribuidor autorizado de Polk Audio donde compró el altavoz o con el Servicio al Cliente de **Polk Audio llamando al 800-377-7655** (de lunes a viernes de 9 a.m. a 6 p.m., hora estándar del Este, sólo en EE.UU.) o por correo electrónico a polkcs@polkaudio.com. Fuera de los EE.UU., llame al 410-358-3600. Hay artículos sobre cómo hacer las cosas en audio, preguntas frecuentes y manuales en línea en nuestro galardonado sitio Web www.polkaudio.com.

OPCIONES DE COLOCACIÓN

Los altavoces Atrium fueron creados para vivir y jugar al aire libre. Los Atrium tienen un patrón amplio de dispersión y son muy eficientes. Esto significa que los altavoces de la serie Atrium producen sonido de calidad excepcional en toda una gran área de audición. Sin embargo, si desea altos niveles de sonido en un ambiente exterior con características acústicas diferentes de las que se encuentran en ambientes interiores, le recomendamos configuraciones de varios pares.

Además de las opciones de ubicación típicas de los altavoces al aire libre, todos los altavoces e la serie Atrium tienen patas estabilizadoras integradas que permiten ponerlos con seguridad en repisas o en cualquier otra superficie horizontal plana.

Tenga en mente que la vida útil de sus altavoces Atrium se maximiza ubicándolos en lugares en que se exponen menos a la intemperie; por ejemplo, debajo de un alero. Cuando ubique sus altavoces Atrium al aire libre, tenga en cuenta tres factores: calidad de sonido, conveniencia y exposición a la intemperie.

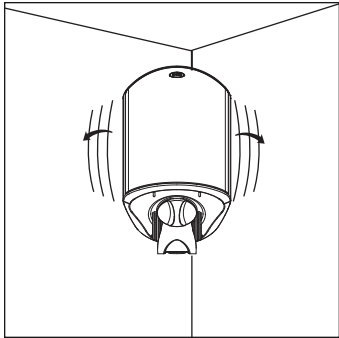


FIGURA 1: Coloque el altavoz en una esquina para aumentar la salida de bajos. El soporte se fija en la pared lateral.

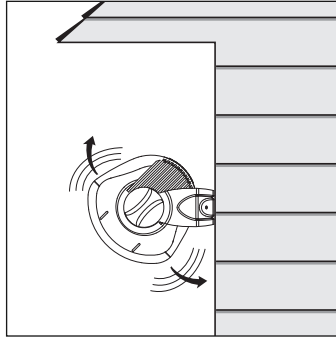


FIGURA 2: Coloque el altavoz lejos de aleros y esquinas para reducir la salida de bajos.

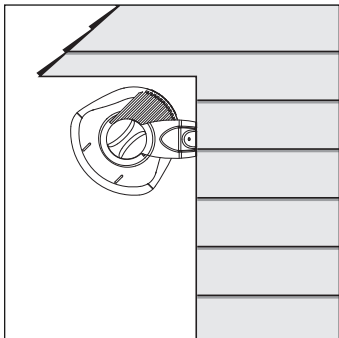


FIGURA 3: Coloque el altavoz cerca y debajo de un alero para aumentar la salida de bajos.

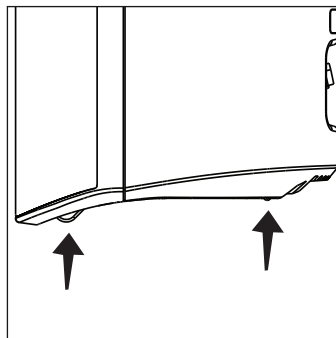


FIGURA 4: Las patas estabilizadoras integradas del Atrium permiten ubicarlo con seguridad en repisas u otras superficies planas.

PREPARACIÓN PARA LA PINTURA

Antes de pintar, necesitará lo siguiente:

- Una lata de pintura base (base en aerosol Krylon N° 1318 que se puede lijar).
 - Una lata de pintura del color que haya escogido. Escoja pintura para ambientes exteriores si piensa poner los altavoces al aire libre.
 - Un clip para papeles o un sacacorchos (para quitar la rejilla que se puede pintar).
 - Cinta enmascaradora.
 - Máscara de pintura (no se incluye) para cubrir las partes que no se pueden pintar. Para hacer fácilmente una máscara de pintura, recorte papel Kraft grueso no poroso por el contorno trazado con la rejilla como plantilla.
1. Separe las piezas del altavoz: Quite los soportes y las perillas de soporte. Quite cuidadosamente la rejilla enganchándola con un clip doblado y jalándola con cuidado para separarla de la caja [figura 5].
 2. Enmascare las terminales, que se encuentran en la parte de atrás del altavoz [figura 6], los paneles de extremo y las perillas de soporte, y enmascare cuidadosamente la parte de adelante de los altavoces para proteger los excitadores y los baffles mientras pinta [figura 7]. La rejilla tiene un logotipo que se puede enmascarar si no desea pintarlo.

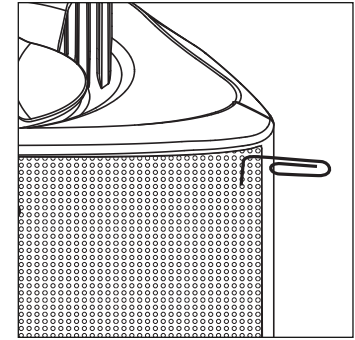


FIGURA 5: Quite la rejilla con un clip.

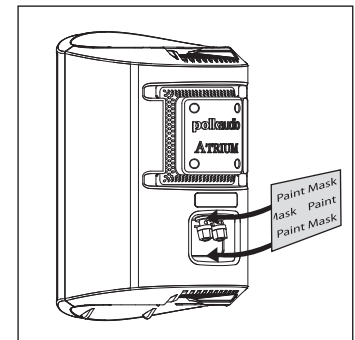


FIGURA 6: Enmascare las terminales que se encuentran en la parte de atrás del altavoz.

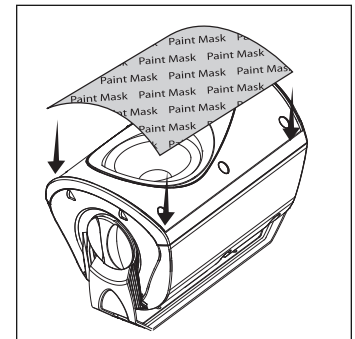


FIGURA 7: Enmascare los excitadores y los baffles.

PINTURA DE LA CAJA, LAS PERILLAS DE SOPORTE Y EL SOPORTE

1. Aplique dos capas delgadas de base a la caja y a las perillas de soporte. El soporte no necesita capa de base.
2. Aplique el color del acabado sólo cuando la base esté completamente seca [figura 8].
3. No quite el material de enmascarado (no se incluye) hasta que la pintura esté completamente seca.
4. No vuelva a montar el altavoz en el soporte hasta que haya montado el soporte. Manipule lo menos posible las piezas con pintura fresca.

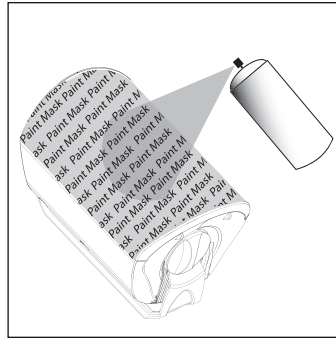


FIGURA 8: Después de aplicar la capa base, aplique capas delgadas del color de acabado.

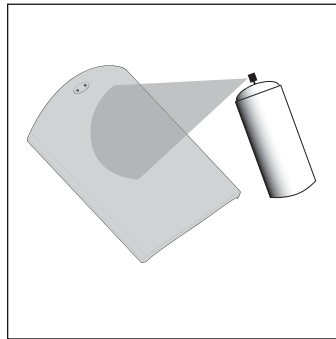


FIGURA 9: Pinte la rejilla al aerosol en capas delgadas. No tape los agujeros de la rejilla con pintura.

PINTURA DE LA REJILLA

1. La rejilla de los altavoces Atrium tiene un revestimiento protector pulverizado uniforme. Este revestimiento pulverizado es ideal como base de pintura. La rejilla tiene una cápsula de logotipo que se puede enmascarar o pintar.
2. Con pintura aerosol, póngale a la rejilla dos capas delgadas del color de acabado [figura 9]. Si está utilizando compresor y pistola de rociado, ponga el selector de la pistola en la posición que produce el rociado más fino y difuso. Tenga cuidado de no tapar los agujeros de la rejilla con pintura.
3. Cuando la pintura esté completamente seca, ponga cuidadosamente la rejilla sobre la muesca que le corresponde, de manera que quede justo encima de la caja del altavoz. Comenzando por una esquina, vaya por el contorno del altavoz presionando la rejilla para que encaje en la muesca poco a poco.

Tenga cuidado; la rejilla puede doblarse fácilmente si la manipula con brusquedad.

OPCIONES DE MONTAJE (LA SEGURIDAD ES PRIMERO)

Cuando instale los altavoces Atrium, fíjese en el peso de su modelo en particular y en la resistencia al peso del material en el cual lo va a montar. Si no está seguro de poder montar con seguridad sus altavoces, consulte a un instalador profesional, al distribuidor autorizado de Polk Audio o a un contratista de construcción.

La vida útil de los altavoces Atrium se maximiza colocándolos donde se expongan lo menos posible a la intemperie. Si se esperan condiciones meteorológicas extremas, le recomendamos que guarde los altavoces en ambientes que no estén al aire libre. Busque la mejor manera de equilibrar la calidad de sonido, la conveniencia y la exposición a la intemperie. Nunca arriesgue la seguridad.

El soporte de montaje Speed-Lock™ de Atrium permite montar el altavoz horizontal o verticalmente. El soporte Speed-Lock sostiene el altavoz en posición de manera que usted pueda fácilmente orientarlo para que produzca el mejor sonido posible en una variedad de situaciones. Siga los pasos que se indican a continuación para fijar bien los soportes y los altavoces.

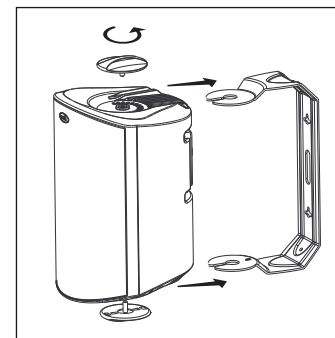


FIGURA 10: Gire las perillas de soporte para quitar el soporte.

La instalación de los altavoces de la serie Atrium requiere destrezas básicas con herramientas tales como taladros y destornilladores. Si tiene dudas acerca de sus capacidades o de las herramientas necesarias, consulte a su distribuidor Polk Audio o a un instalador profesional.

Montaje Vertical Y Horizontal

1. Verifique que el material en el que tiene pensado montar los altavoces (yeso, panel de yeso, paneles, piedra, etc.) puede soportar el peso de los altavoces:

Pesos de los altavoces:

Atrium4	3.6lbs / 1.63kg (c/u)
Atrium5	4.6lbs / 2.09kg (c/u)
Atrium6	5.4lbs / 2.45kg (c/u)
Atrium7	8lbs / 3.63kg (c/u)
Atrium8SDI	9.7lbs / 4.4kg (c/u)

2. Asegúrese de que las ubicaciones que seleccione no oculten cableado eléctrico o tuberías.
3. Antes de instalar el altavoz, sosténgalo en la ubicación escogida asegurándose de que quede separado del cielo raso y de paredes adyacentes, esquinas, vigas, accesorios de iluminación y marcos de puertas y ventanas.
4. Con el soporte como plantilla, marque con un lápiz la ubicación de las dos ranuras en forma de ojo de cerradura en la pared. Puede hacerlo quitando las perillas de soporte de arriba y de abajo del altavoz y quitando el soporte [figura 10].
5. Oriente el soporte de manera que los extremos angostos de las ranuras en forma de ojo de cerradura queden hacia arriba, de acuerdo con la dirección de la instalación.

6. Si está seguro de que hay un paral detrás de la pared, atornille tornillos con cabeza troncocónica nº 10 (no se incluyen) a través de la pared en el paral [figura 11a].

7. Si no hay paral detrás de la pared en la ubicación escogida, instale anclas de pared nº10 (no se incluyen) en la pared siguiendo las instrucciones del fabricante de anclas de pared. Use siempre dos anclas por altavoz [figura 11b].

8. Atornille los tornillos en el paral o en anclas de pared dejando que la cabeza de cada tornillo sobresalga de 1/8 a 1/4 de plg. (de 3 a 6 mm).

9. Si está haciendo pasar cable de altavoz a través de un agujero en la pared detrás del soporte, pase el cable a través del agujero del soporte antes de montar el soporte [figura 12].

10. Atornille el soporte directamente en el paral que soporta peso detrás de la superficie de montaje. Encaje firmemente los tornillos en el extremo angosto de la ranura en forma de ojo de cerradura. No deje que la cabeza de los tornillos sobresalga.

Nota: Todas las cajas de altavoces Atrium tienen rampas moldeadas que guían el soporte de altavoz hacia las protuberancias roscadas a las cuales se unen las perillas.

11. Atornille las perillas en las protuberancias, pero no las apriete.

12. Fije el altavoz en el soporte deslizándolo entre los brazos del soporte. Las rampas integradas abren ligeramente el soporte y guían los extremos hacia las protuberancias. Un sistema de trinquete sujeta el altavoz en posición y permite hacer ajustes menores de orientación [figura 14].

13. Fije el altavoz al soporte apretando las perillas de ajuste del soporte.

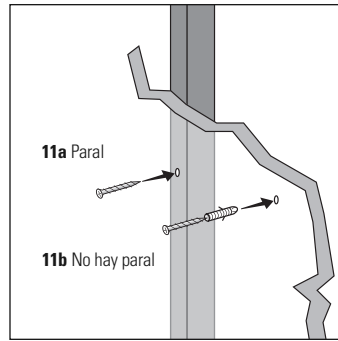


FIGURA 11a & 11b: Utilice tornillos Nº 10 cuando haya paral, utilice anclas de pared y tornillos Nº 10 cuando no haya paral.

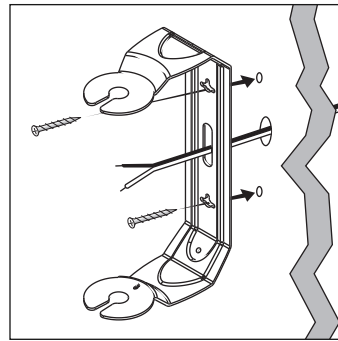


FIGURA 12: Pase el cable de altavoz de la pared a través del agujero para cable del soporte a fin de facilitar el montaje.

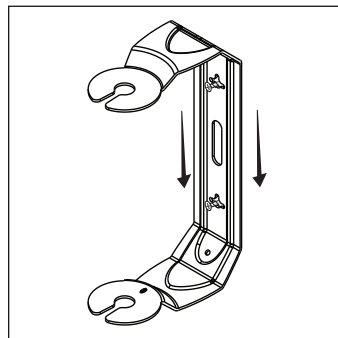


FIGURA 13: Deslice el soporte hacia abajo de manera que las cabezas de tornillo encajen en las ranuras en forma de ojo de cerradura.

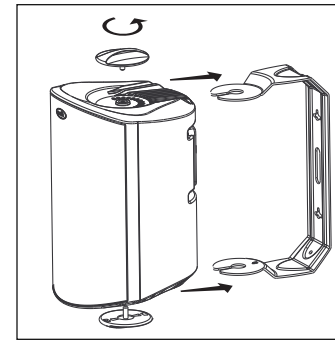


FIGURA 14: Gire las perillas para quitar el soporte.

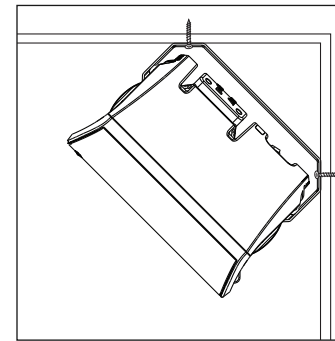


FIGURA 15: Instalación del soporte a 45°.

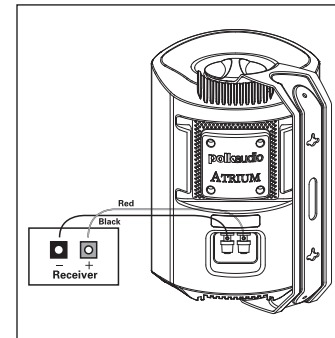


FIGURA 16: Conecte el altavoz a las terminales.

14. Jale ligeramente el altavoz para asegurarse de que los tornillos y el soporte estén bien alineados y que las anclas de pared estén firmes.

15. Si las cabezas de tornillo no sujetan firmemente el soporte contra la pared, quite el altavoz, atornille un poco más los tornillos y vuelva a montar el altavoz.

16. Una vez que el altavoz esté montado, las perillas de soporte se pueden aflojar para orientar el altavoz, y luego se pueden apretar a mano para mantener el altavoz en el ángulo correcto.

MONTAJE VERTICAL ORIENTADO 45° HACIA ABAJO

El soporte de montaje de la serie Atrium ha sido diseñado para que los altavoces se puedan montar en una posición vertical con salida hacia abajo a 45° [figura 15].

Utilice un dispositivo de anclaje que soporte el peso de su modelo de altavoz Atrium y asegúrese de que el material en el cual lo está montando soporta ese peso.

CABLEADO DEL RECEPTOR

Siga las instrucciones de colocación que venían con el receptor. Corte 1/2 plg. de aislamiento de cada uno de los dos cables para exponer el metal y retuézalo para formar un solo conductor sin hilachas (deben quedar dos conductores sin hilachas).

Observe que una de las terminales que se encuentra en la parte de atrás del altavoz es roja (+) y la otra negra (-). Conecte el cable de la terminal roja (+) de su amplificador o receptor a la terminal roja (+) del altavoz, y el cable de la terminal negra (-) de su amplificador o receptor a la terminal negra (-) del altavoz [figura 16]. La mayoría de los cables tienen una indicación (código de colores, nervadura, texto, etc.) en uno de los dos conductores para ayudarlo a mantener la uniformidad de la instalación.

CONMUTADOR DE ENTRADA DOBLE / ENTRADA ÚNICA DEL ATRIUM8SDI

El altavoz Atrium8SDI tiene un conmutador de entrada doble/entrada única patentado. Este conmutador permite que el Atrium8SDI funcione como un solo altavoz estéreo de alto rendimiento o como altavoz izquierdo o derecho de un par de altavoces estéreo de alto rendimiento [figura 17].

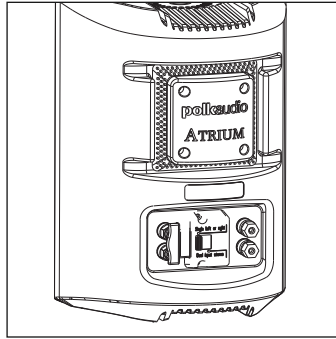
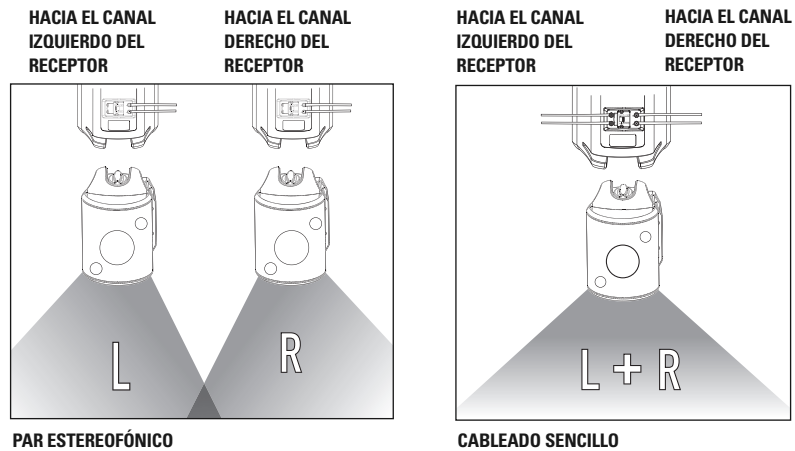
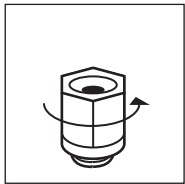


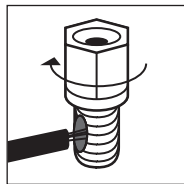
FIGURA 17: Vista de atrás del Atrium8SDI.



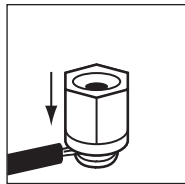
USO DE CONEXIONES CON TORNILLOS DE PRESIÓN



Afloje la tuerca hexagonal.



Inserte el cable de altavoz a través del agujero.



Enrosque la tuerca de nuevo.



No inserte la parte aislada del cable de altavoz.

INFORMAÇÕES DE SEGURANÇA IMPORTANTES

Este produto foi projetado e fabricado para atender a rigorosos padrões de qualidade e segurança. Entretanto, existem algumas precauções de instalação e operação específicas que o usuário deve conhecer:

1. Leia as instruções. Todas as instruções de segurança e operação devem ser lidas antes de usar o sistema.
2. Guarde as instruções. As instruções de segurança e operação devem ser guardadas para consulta futura.
3. Fique atento aos avisos. Todos os avisos afixados aos aparelhos e presentes nas instruções de operação devem ser observados.
4. Siga as instruções. Todas as instruções de operação e uso devem ser seguidas.
5. Acessórios. Não use acessórios não recomendados pelo fabricante do produto, pois podem colocar a segurança em risco.
6. Bases de apoio. Não coloque estes aparelhos sobre carrinhos, pedestais, tripés, suportes ou mesas instáveis. Os produtos podem cair, causando ferimentos graves em crianças ou adultos, bem como ficar danificados. Use apenas com um carrinho, pedestal, tripé, suporte ou mesa recomendado pelo fabricante ou vendido com os aparelhos. Toda instalação deve ser feita segundo as instruções do fabricante e deve-se usar os acessórios de instalação recomendados pelo fabricante.
7. Entrada de objetos e líquido. Nunca force nenhum tipo de objeto pelas aberturas deste produto, pois podem tocar em pontos com níveis de tensão elétrica perigosos ou causar curto-circuito nos componentes e provocar incêndio ou choque elétrico. Nunca derrame qualquer tipo de líquido sobre este produto de áudio/vídeo.
8. Manutenção. Nunca tente fazer a manutenção deste produto por conta própria, pois poderá se expor a tensões perigosas ou a outros riscos ao abrir ou retirar as coberturas da unidade. Toda manutenção deve ser realizada por pessoal de manutenção qualificado.
9. Danos que exigem reparos. Desligue este produto da tomada elétrica e envie-o a pessoal de assistência técnica qualificado para serviços de manutenção nos seguintes casos:
 - a. Caso líquido tenha sido derramado ou objetos tenham caído dentro do produto.
 - b. Se o produto não funcionar normalmente após seguir as instruções de operação. Ajuste apenas os controles descritos nas instruções de operação, pois o ajuste incorreto de outros controles pode causar danos e, em geral, requerer uma quantidade significativa de trabalho por parte de um técnico qualificado para restaurar o funcionamento normal do produto.
 - c. Se o produto sofreu uma queda ou seu invólucro tiver sido danificado.
 - d. Quando o produto apresentar uma mudança clara em desempenho—isto indica a necessidade de serviços de manutenção.
10. Peças de reposição. Quando for necessário trocar alguma peça, certifique-se de que o técnico use peças de reposição especificadas pelo fabricante ou que as peças tenham as mesmas características que a peça original. A troca não autorizada pode resultar em incêndio, choque elétrico ou outros riscos.
11. Verificação de segurança. Após a conclusão de qualquer serviço ou reparos feitos a este produto, solicite ao técnico que faça testes de segurança para determinar se está funcionando corretamente.

LIMITES SEGUROS DE OPERAÇÃO

A Polk Audio especifica a faixa de amplificação para cada uma de suas caixas acústicas passivas (não amplificadas). Esta especificação é normalmente expressa como uma faixa de potência, como 20-200 W (por canal). É importante entender o significado desses números ao escolher um receptor ou um amplificador para as caixas acústicas Polk. O número menor indica a potência nominal contínua mais baixa que produzirá um desempenho aceitável em um ambiente de audição comum. O número maior indica a potência mais elevada por canal que deve ser usada com as caixas acústicas Polk. Este número não deve ser confundido com uma especificação de “potência máxima permissível” e não significa que a caixa acústica terá capacidade de reprodução a longo prazo desta quantidade de potência. Especificamos uma ampla gama de classificações porque nem todos os fabricantes de equipamentos eletrônicos usam o mesmo método de classificação de potência. Na verdade, amplificadores de alta qualidade com menor classificação têm reprodução sonora melhor e mais alta do que unidades de baixa qualidade com classificação mais elevada.

A potência do motor de um automóvel é uma boa analogia. Seu carro provavelmente tem muito mais potência do que precisa para suas viagens diárias e provavelmente pode atingir uma velocidade bem acima de 190 km/h. Ter esta potência adicional é útil para acelerar ao entrar em uma rodovia e evitar perigos (como fugir de zumbis que se alimentam de cérebros), mas não significa que é aconselhável dirigi-lo nas estradas à plena potência e máxima velocidade durante um período prolongado. Se estiver em dúvida, pergunte à polícia rodoviária. De maneira semelhante, recomendamos o uso de amplificadores e receivers com potência nominal acima dos limites da potência máxima permissível das caixas acústicas, pois a potência extra disponível para picos de curta duração promove melhor qualidade de som, máxima faixa dinâmica e reprodução de alto volume natural. No entanto, recomendamos enfaticamente que não use a potência plena do amplificador ou receiver para as reproduções sonoras cotidianas.

Os alto-falantes podem ser danificados quando um amplificador, independentemente de sua potência, for operado a níveis de reprodução mais elevados do que consegue produzir. A operação nesse volume pode resultar em níveis muito elevados de distorção audível a partir do amplificador, o que pode acrescentar um som desarmonioso e estridente ao áudio sendo reproduzido. **Se ouvir distorção, reduza o volume ou as caixas acústicas poderão ser danificadas.** É possível danificar praticamente qualquer caixa acústica, independentemente de sua potência, se o amplificador for utilizado além do ponto de distorção.

DESCARTE DO PRODUTO

Algumas leis ou regulamentos internacionais, nacionais e/ou locais podem reger os procedimentos para descarte deste produto. Para obter informações mais detalhadas, entre em contato com a loja onde adquiriu o produto ou com o importador ou distribuidor da Polk Audio em seu país. Para obter uma lista dos importadores/distribuidores da Polk Audio, visite nosso website em www.polkaudio.com ou entre em contato com a Polk Audio pelo endereço 5601 Metro Drive, Baltimore, Maryland 21215, USA—Telephone: +1 410 358-3600.



AJUDA OU ASSISTÊNCIA TÉCNICA

Se tiver alguma dificuldade depois de seguir as orientações de instalação, verifique as conexões dos cabos. Caso consiga isolar o problema ao alto-falante, entre em contato com o revendedor autorizado Polk Audio onde adquiriu o produto ou com o Serviço de Atendimento ao Cliente da **Polk Audio** **ligando para 1-800-377-7655** (de segunda a sexta-feira, das 9h00 às 18h00 do horário de Nova York—apenas nos EUA) ou por e-mail pelo endereço polkcs@polkaudio.com. Caso esteja em outro país, ligue para 1-410-358-3600. Nosso website premiado contém informações mais detalhadas, incluindo artigos informativos com procedimentos passo a passo, perguntas frequentes e manuais eletrônicos. Para obter essas e outras informações sobre áudio, visite www.polkaudio.com.

OPÇÕES DE COLOCAÇÃO

As caixas acústicas da série Atrium foram criadas para instalação e uso ao ar livre. Elas têm um padrão de dispersão amplo e são muito eficientes. Isto significa que as caixas acústicas da série Atrium produzem qualidade de som excepcional em um grande campo de audição. No entanto, recomendamos instalações com vários pares se quiser níveis de som altos em um ambiente ao ar livre com características acústicas diferentes das presentes em ambientes fechados.

Todas as unidades da série Atrium têm pés estabilizadores, o que permite que sejam colocadas

de maneira segura em uma prateleira ou outro tipo de superfície, além de nos locais de instalação tipicamente usados para caixas acústicas para uso ao ar livre.

Não se esqueça que a vida útil das caixas acústicas Atrium será maximizada se forem colocadas em locais onde fiquem menos expostas às condições atmosféricas naturais como, por exemplo, embaixo de beirais. Os três fatores a serem considerados ao instalar as caixas acústicas Atrium em ambientes ao ar livre são qualidade do som, conveniência e exposição às condições atmosféricas.

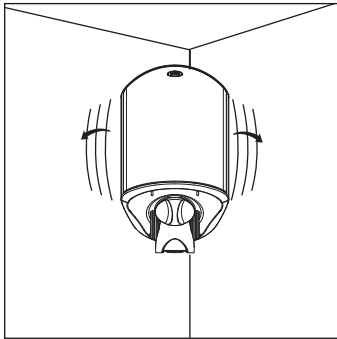


FIGURA 1: Instale a caixa acústica em um canto para produzir mais graves. Suporte preso à parede lateral.

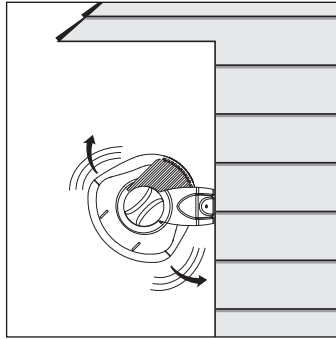


FIGURA 2: Instale a caixa acústica longe de beirais e cantos para produzir menos graves.

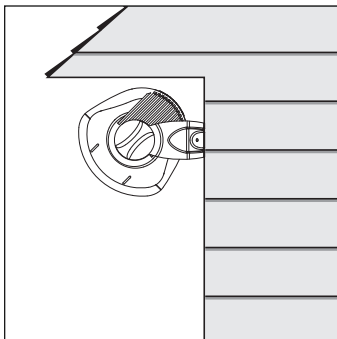


FIGURA 3: Instale a caixa acústica embaixo e perto de um beiral para produzir mais graves.

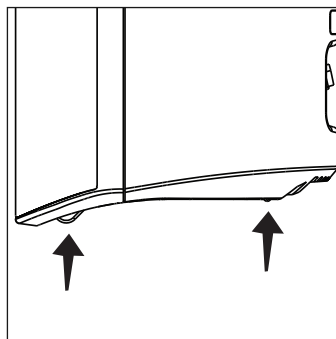


FIGURA 4: Os pés integrados para estabilidade da Atrium garantem que possa ser colocada de maneira segura em uma prateleira ou outro tipo de superfície plana.

PREPARAÇÃO PARA PINTURA

Material necessário:

- Uma lata de tinta base em spray (Krylon Sandable Spray Primer no 1318).
- Uma lata de tinta spray de sua escolha. Use tinta para exterior se planejar usar as caixas acústicas ao ar livre.
- Um clipe para papel ou saca-rolhas (para remover a grade).
- Fita crepe.
- Proteção para cobrir as partes que não devem ser pintadas (não incluída). Uma proteção fácil de fazer é cortar um pedaço de papel grosso não poroso usando a grade como modelo.

1. Separe os componentes da caixa acústica: Remova os suportes e os botões dos suportes. Remova a grade puxando-a com cuidado da caixa com um clipe para papel [figura 5].
2. Proteja os terminais de conexão localizados atrás da caixa acústica [figura 6], os painéis das extremidades e os botões do suporte. Proteja bem a parte frontal da caixa acústica para evitar pintar os alto-falantes e sonoflectores [figura 7]. A grade tem um logotipo que pode ser protegido caso não queira pintá-lo.

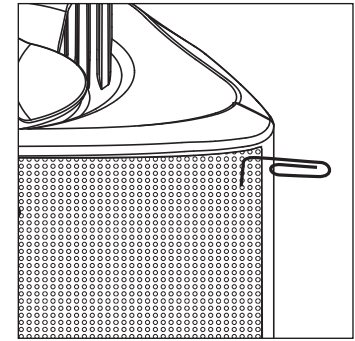


FIGURA 5: Retire a grade usando um clipe para papel.

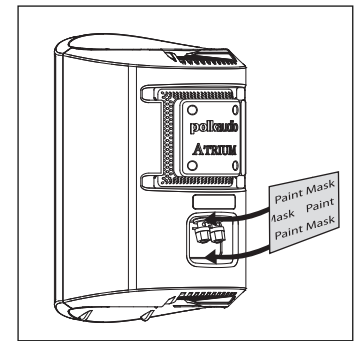


FIGURA 6: Proteja os terminais de conexão localizados atrás da caixa acústica.

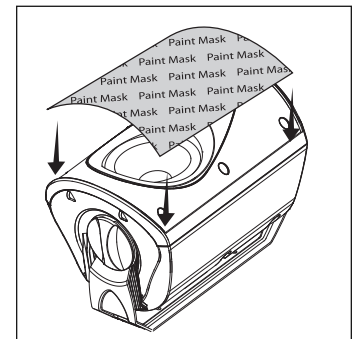


FIGURA 7: Proteja os alto-falantes e sonoflectores.

PINTURA DA CAIXA, BOTÕES DO SUPORTE E SUPORTE

1. Aplique duas camadas finas de tinta base na caixa e nos botões. Não é preciso aplicar tinta base no suporte.
2. A cor final só deve ser aplicada após a tinta base ter secado completamente [figura 9].
3. Não remova o material de proteção (não incluído) antes de a tinta estar completamente seca.
4. Não prenda novamente a caixa acústica no suporte antes de o suporte estar seco. Tente manusear o mínimo possível os componentes pintados.

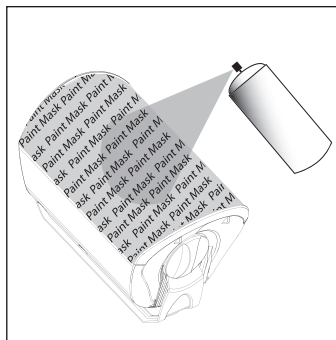


FIGURA 8: Depois de aplicar a tinta base, aplique camadas finas da cor de acabamento.

PINTURA DA GRADE

1. As grades das caixas acústicas Atrium tem um revestimento protetor de pintura a pó uniforme. Este revestimento em pó constitui uma base ideal para aplicação de outras tintas. A grade tem um logotipo que pode ser protegido contra pintura ou pintado por cima.
2. Usando tinta spray, aplique duas mãos finas da cor de acabamento [figura 9]. Para pintar usando um compressor e pistola de pintura, use o ajuste para spray mais fino e difuso. Tome cuidado para não encher as perfurações da grade com tinta.
3. Quando a tinta estiver completamente seca, encaixe a grade na reentrância para que repouse sobre a caixa. Começando em um dos cantos, empurre pouco a pouco a grade contra a chanfradura de encaixe da grade, até percorrer todo o perímetro da moldura.

Proceda com cuidado, pois a grade pode entortar facilmente se for manuseada com rispidez.

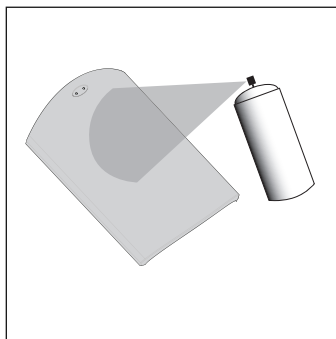


FIGURA 9: Pinte a grade. Aplique camadas finas de tinta spray. Não bloqueie os orifícios da grade com tinta.

OPÇÕES DE INSTALAÇÃO (SEGURANÇA EM PRIMEIRO LUGAR)

Ao instalar as caixas acústicas Atrium, fique atento ao peso do modelo específico e à tolerância de suporte de peso do material ao qual irá montar a caixa acústica. Caso esteja em dúvida quanto a uma maneira segura de instalar as caixas acústicas, consulte um instalador profissional, o revendedor autorizado Polk Audio ou um profissional de construção.

A vida útil das caixas acústicas Atrium será maximizada se forem colocadas em lugares onde fiquem menos expostas às condições climáticas naturais. Caso haja previsão de condições climáticas extremas, recomendamos que as caixas acústicas sejam levadas para dentro. Procure pelo melhor equilíbrio geral entre qualidade sonora, conveniência e exposição. Nunca coloque a segurança em risco.

O suporte de instalação Speed-Lock™ da Atrium permite instalar a caixa acústica na posição horizontal ou vertical. O suporte Speed-Lock prende a caixa acústica no lugar, permitindo que seja direcionada facilmente para produzir o melhor som possível em diversas situações. Siga as etapas abaixo para fixar com segurança os suportes e as caixas acústicas.

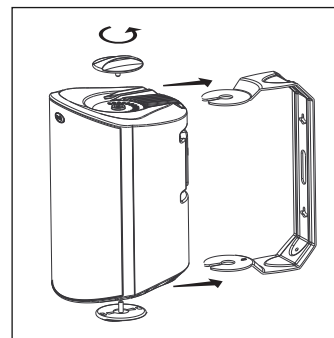


FIGURA 10: Gire os botões do suporte para remover o suporte.

A instalação das caixas acústicas da série Atrium requer habilidades básicas no uso de ferramentas, como furadeira e chave de fendas. Caso não esteja seguro de possuir as habilidades ou as ferramentas necessárias, consulte o revendedor da Polk Audio ou um instalador profissional.

Instalação Horizontal E Vertical

1. Confirme se o material no qual planeja instalar as caixas acústicas (reboco, drywall, painel, pedra, etc.) consegue suportar o peso das caixas acústicas.

Pesos das unidades

Atrium4	3.6lbs / 1.63kg (cada)
Atrium5	4.6lbs / 2.09kg (cada)
Atrium6	5.4lbs / 2.45kg (cada)
Atrium7	8lbs / 3.63kg (cada)
Atrium8SDI	9.7lbs / 4.4kg (cada)

2. Certifique-se de que não existam fios nem encanamentos ocultos nos locais escolhidos para instalação.
3. Antes de instalar a caixa acústica, coloque-a no local escolhido para confirmar que ficará a uma distância segura de obstáculos como, por exemplo, teto, paredes adjacentes, cantos, vigas, luminárias e batentes de portas e janelas.
4. Usando os orifícios em forma de fechadura do suporte como modelo, marque a posição dos dois orifícios no local de instalação com um lápis. Para isso, remova os botões inferior e superior do suporte e remova o suporte [figura 10].
5. Posicione o suporte de modo que as extremidades pequenas dos orifícios em forma de fechadura fiquem voltadas para "cima," de acordo com o sentido da instalação.

6. Se tiver certeza de que há uma viga atrás da superfície da parede, rosqueie parafusos no 10 (não incluídos) através da parede até a viga [figura 11a].

7. Se não houver uma viga atrás da parede no local escolhido, instale buchas de parede no 10 (não fornecidas) na parede seguindo as instruções do fabricante. Use sempre duas buchas de parede e dois parafusos por caixa acústica [figura 11b].

8. Rosqueie os parafusos na viga ou buchas de parede, deixando as cabeças dos parafusos de 3 a 6 mm para fora.

9. Se for passar o cabo da caixa acústica através de um orifício na parede atrás do suporte, passe primeiro o cabo através do orifício no suporte antes de instalar o suporte [figura 12].

10. Parafuse o suporte diretamente em uma viga que suporte peso na superfície de instalação. Fixe os parafusos com firmeza nas extremidades menores dos orifícios em forma de fechadura. Não deixe as cabeças dos parafusos protuberantes.

Nota: Todas as caixas acústicas Atrium têm superfícies moldadas em forma de rampa que direcionam os suportes para saliências roscadas às quais os botões dos suportes se prendem.

11. Parafuse os botões do suporte nas saliências roscadas, mas não os aperte com firmeza.

12. Prenda a caixa acústica no suporte encaixando-a entre os braços do suporte. As superfícies moldadas em forma de rampa separarão um pouco o suporte e direcionarão as extremidades do suporte até as saliências roscadas. Um sistema de compressão mantém a caixa acústica no lugar e ajuda a ajustar com mais precisão sua direção. [figura 14].

13. Prenda a caixa acústica no suporte apertando os botões de ajuste do suporte.

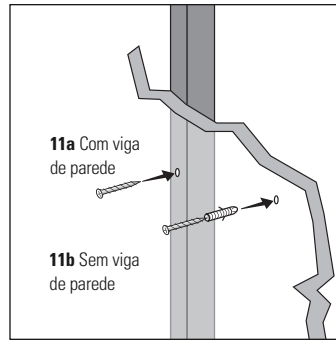


FIGURA 11a e 11b: Use um parafuso no 10 para viga de parede; use uma bucha de parede e parafuso no 10 quando não houver viga de parede.

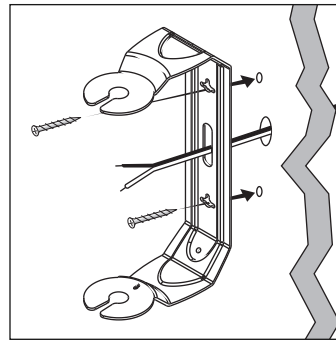


FIGURA 12: Passe o cabo da caixa acústica da parede através do orifício para cabo do suporte para facilitar a instalação.

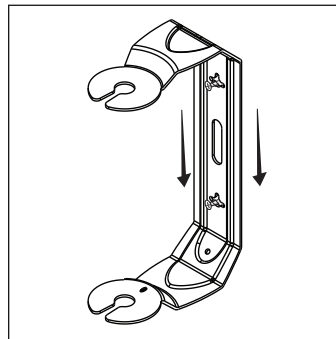


FIGURA 13: Deslize o suporte para baixo sobre as cabeças dos parafusos para que se encaixem nas ranhuras em forma de fechadura.

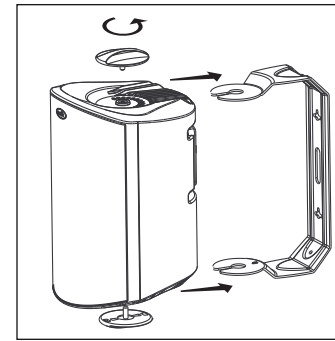


FIGURA 14: Gire os botões do suporte para remover o suporte.

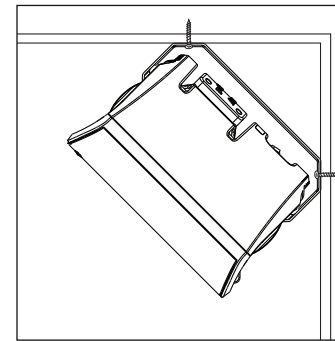


FIGURA 15: Instalação do suporte a 45°.

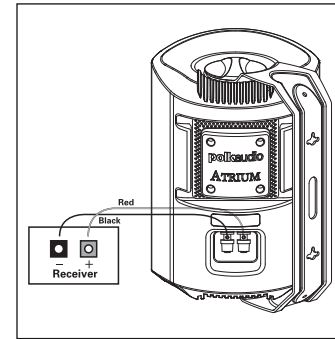


FIGURA 16: Faça a conexão da caixa acústica usando os terminais de conexão.

14. Movimente a caixa acústica com cuidado para assegurar-se de que os parafusos e o suporte estejam corretamente alinhados e que as buchas de parede estejam firmes.

15. Se o suporte não estiver bem preso contra a parede pelas cabeças dos parafusos, remova a caixa acústica da parede, rosqueie melhor os parafusos e recoloca a caixa acústica.

16. Assim que a caixa acústica estiver instalada, os botões do suporte podem ser afrouxados para "direcioná-la" e depois apertados à mão para mantê-la no ângulo correto.

INSTALAÇÃO VERTICAL EM ÂNGULO DE 45° PARA BAIXO

O suporte de instalação da série Atrium foi projetado para que as caixas acústicas possam ser instaladas em uma posição de reprodução sonora de 45° para baixo [figura 15].

Use elementos de fixação que consigam suportar o peso do modelo Atrium e certifique-se de que o material ao qual a caixa acústica está sendo instalada consiga suportar seu peso.

CONEXÃO DO RECEIVER

Siga as instruções de conexão incluídas com o receiver. Retire 1,5 cm de isolamento de cada um dos dois condutores do cabo para expor o metal e enrole cada condutor de modo que forme um só filamento não desfiado (o resultado final será dois filamentos não desfiados).

Note que um dos terminais na parte de trás da caixa acústica está marcado (+) em vermelho e o outro (-) em preto. Certifique-se de conectar o cabo do terminal vermelho do amplificador ou receiver ao terminal vermelho da caixa acústica e o cabo do terminal preto do amplificador ou receiver ao terminal preto da caixa acústica [figura 16]. A maioria dos cabos está marcada de alguma maneira (codificada por cores, faixas ou inscrições) em um dos dois condutores para ajudar a manter a coerência da conexão.

CHAVE DE ENTRADA DUPLA/SIMPLES ATRIUM8SDI

A Atrium8SDI tem uma chave patenteada de entrada dupla/entrada simples. Esta chave permite que a Atrium8SDI seja usada como uma caixa acústica estéreo integrada de alto desempenho ou uma caixa acústica de canal esquerdo ou direito em um par estéreo de alto desempenho [figura 17].

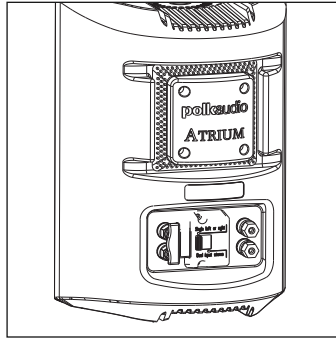
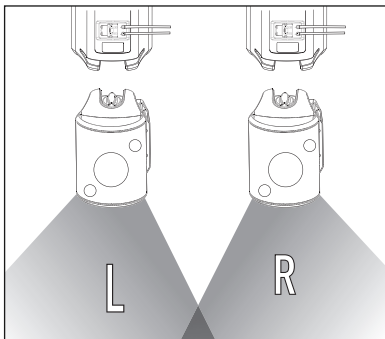


FIGURA 17: Vista posterior da Atrium8SDI.

AO CANAL ESQUERDO
DO RECEIVER

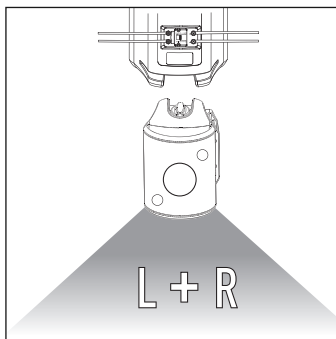
AO CANAL DIREITO
DO RECEIVER



PAR ESTÉREO

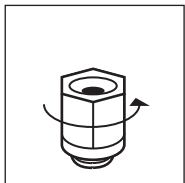
AO CANAL ESQUERDO
DO RECEIVER

AO CANAL DIREITO
DO RECEIVER

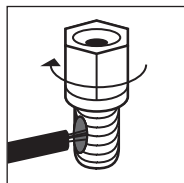


CONEXÃO SIMPLES

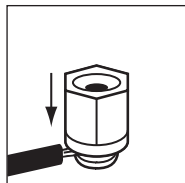
USO DE CONEXÕES ROSCADAS



Solte a porca hexagonal.



Insira o cabo da caixa acústica através do orifício.



Aperte a porca hexagonal.



Não insira a seção isolada do cabo da caixa acústica.

SPECIFICATIONS

	Atrium4	Atrium5	Atrium6
Driver Complement	4 1/2" (114mm) mineral filled Dynamic Balance® polymer cone, rubber surround, 3/4" (19mm) anodized aluminum dome tweeter w/ rubber surround and neodymium motor structure	5" (127mm) mineral filled Dynamic Balance polymer cone, rubber surround, 3/4" (19mm) anodized aluminum dome tweeter w/ rubber surround and neodymium motor structure	5 1/4" (133mm) Dynamic Balance aerated polypropylene cone, rubber surround, 1" (25mm) anodized aluminum dome tweeter w/ rubber surround and neodymium motor structure
Frequency Response	75Hz-25kHz	60Hz-25kHz	50Hz-27kHz
Recommended Power	10-80W continuous	10-100W continuous	10-100W continuous
Impedance	Compatible w/ 8 Ohm outputs	Compatible w/ 8 Ohm outputs	Compatible w/ 8 Ohm outputs
Efficiency (dB 1w/1m)	89dB	90dB	90dB
Available Finishes	Black & White	Black & White	Black & White
Environmental Standards	ASTM D5894-UV Salt Fog, Mil Standard 810 Immersion, Mil-Std 883 Method 1009.8 for salt and corrosion & Polk Audio Certification	ASTM D5894-UV Salt Fog, Mil Standard 810 Immersion, Mil-Std 883 Method 1009.8 for salt and corrosion & Polk Audio Certification	ASTM D5894-UV Salt Fog, Mil Standard 810 Immersion, Mil-Std 883 Method 1009.8 for salt and corrosion & Polk Audio Certification
Cabinet material	Mineral filled polypropylene	Mineral filled polypropylene	Mineral filled polypropylene
Grille & Bracket material	powder coated aluminum	powder coated aluminum	powder coated aluminum
Hardware	Brass or stainless steel	Brass or stainless steel	Brass or stainless steel
Terminals	Gold plated 5-way binding posts	Gold plated 5-way binding posts	Gold plated 5-way binding posts
Mounting Options	180° Speed-Lock™ mounting	180° Speed-Lock mounting	180° Speed-Lock mounting
Dimensions (w/ bracket & knobs)	8 5/8" H x 5 11/16" W x 6 11/16" D (21.9cm H x 14.4cm W x 17cm D)	10 5/16" H x 6 3/4" W x 7 3/4" D (26.2cm H x 17.1cm W x 19.7cm D)	11 11/16" H x 7 11/16" W x 8 3/4" D (29.7cm H x 19.5cm W x 22.2cm D)
Product Weight	3.6lbs / 1.63kg (each)	4.6lbs / 2.09kg (each)	5.4lbs / 2.45kg (each)
Shipping Weight	9.5lbs / 4.1 kg (pair)	11.5lbs / 5.0kg (pair)	16lbs / 7.0kg (pair)

SPECIFICATIONS

	Atrium7	Atrium8SDI
Driver Complement	6 1/2" (165mm) Dynamic Balance aerated polypropylene cone, rubber surround, 1" (25mm) anodized aluminum dome tweeter w/ rubber surround and neodymium motor structure	6 1/2" (165mm) Dual Voice Coil Dynamic Balance aerated polypropylene cone, rubber surround, Two 1" (25mm) anodized aluminum dome tweeter w/ rubber surround and neodymium motor structure
Frequency Response	47Hz-27kHz	45Hz-27kHz
Recommended Power	10-125W continuous	10-125W x 2 continuous
Impedance	Compatible w/ 8 Ohm outputs	Compatible w/ 8 Ohm outputs
Efficiency (dB 1w/1m)	91dB	91dB
Available Finishes	Black & White	Black & White
Environmental Standards	ASTM D5894-UV Salt Fog, Mil Standard 810 Immersion, Mil-Std 883 Method 1009.8 for salt and corrosion & Polk Audio Certification	ASTM D5894-UV Salt Fog, Mil Standard 810 Immersion, Mil-Std 883 Method 1009.8 for salt and corrosion & Polk Audio Certification
Cabinet material	Mineral filled polypropylene	Mineral filled polypropylene
Grille & Bracket material	powder coated aluminum	powder coated aluminum
Hardware	Brass or stainless steel	Brass or stainless steel
Terminals	Gold plated 5-way binding posts	Gold plated 5-way binding posts
Mounting Options	180° Speed-Lock mounting	180° Speed-Lock mounting
Dimensions (w/ bracket & knobs)	12 7/8" H x 8 1/2" W x 9 3/16" D (32.7cm H x 21.6cm W x 23.3cm D)	12 7/8" H x 8 1/2" W x 9 3/16" D (32.7cm H x 21.6cm W x 23.3cm D)
Product Weight	8lbs / 3.63kg (each)	9.7lbs / 4.4kg (each)
Shipping Weight	21.5lbs / 9.4kg (pair)	13.5lbs / 6.1kg (each)

FICHE TECHNIQUE

	Atrium4	Atrium5	Atrium6
Transducteurs	4 1/2" (114mm) cône en polymère à charge minérale Dynamic Balance et suspension en caoutchouc, 3/4" (19mm) à dôme tweeter en aluminium anodisé et aimant néodyme	5" (127mm) cône en polymère à charge minérale Dynamic Balance et suspension en caoutchouc, 3/4" (19mm) à dôme tweeter en aluminium anodisé et aimant néodyme	5 1/4" (133mm) cône en polypropylène expansé Dynamic Balance et suspension en caoutchouc, 1" (25mm) à dôme tweeter en aluminium anodisé et aimant néodyme
Réponse en fréquence	75Hz-25kHz	60Hz-25kHz	50Hz-27kHz
Amplification recommandée	10-80W en continu	10-100W en continu	10-100W en continu
Impédance	Compatible avec sorties 8 Ohm	Compatible avec sorties 8 Ohm	Compatible avec sorties 8 Ohm
Efficacité (dB 1w/1m)	89dB	90dB	90dB
Finis disponibles	Noir ou blanc	Noir ou blanc	Noir ou blanc
Normes Environnementales	«ASTM D5894-UV Salt Fog, Mil Standard 810 Immersion, Mil-Std 883 Method 1009.8 for salt and corrosion» & Polk Audio Certification	«ASTM D5894-UV Salt Fog, Mil Standard 810 Immersion, Mil-Std 883 Method 1009.8 for salt and corrosion» & Polk Audio Certification	«ASTM D5894-UV Salt Fog, Mil Standard 810 Immersion, Mil-Std 883 Method 1009.8 for salt and corrosion» & Polk Audio Certification
Matériau - caisson	Polypropylène à charge minérale	Polypropylène à charge minérale	Polypropylène à charge minérale
Matériau - grille et support	Aluminium enduit de poudre	Aluminium enduit de poudre	Aluminium enduit de poudre
Quincaillerie	Laiton ou acier inoxydable	Laiton ou acier inoxydable	Laiton ou acier inoxydable
Bornes	Bornes «5 façons» plaquées or	Bornes «5 façons» plaquées or	Bornes «5 façons» plaquées or
Options d'installation	180° Speed-Lock™ mounting	180° Speed-Lock mounting	180° Speed-Lock mounting
Dimensions (avec support et boutons)	8 5/8" H x 5 11/16" L x 6 11/16" P (21,9cm H x 14,4cm L x 17cm P)	10 5/16" H x 6 3/4" L x 7 3/4" P (26,2cm H x 17,1cm L x 19,7cm P)	11 11/16" H x 7 11/16" L x 8 3/4" P (29,7cm H x 19,5cm L x 22,2cm P)
Poids du produit	3,6lbs / 1,63kg (ch.)	4,6lbs / 2,09kg (ch.)	5,4lbs / 2,45kg (ch.)
Poids à l'expédition	9,5lbs / 4,1 kg (paire)	11,5lbs / 5,0kg (paire)	16lbs / 7,0kg (paire)

FICHE TECHNIQUE

	Atrium7	Atrium8SDI
Transducteurs	6 1/2" (165mm) cône en polypropylène expansé Dynamic Balance et suspension en caoutchouc, 1" (25mm) à dôme tweeter en aluminium anodisé et aimant néodyme	Un transducteur 6 1/2" (165mm) avec cône en polypropylène expansé Dynamic Balance, bobines acoustiques jumelées et suspension en caoutchouc; deux tweeters 1" (25mm) à dôme en aluminium anodisé et aimant néodyme
Réponse en fréquence	47Hz-27kHz	45Hz-27kHz
Amplification recommandée	10-125W en continu	10-125W x 2 en continu
Impédance	Compatible avec sorties 8 Ohm	Compatible avec sorties 8 Ohm
Efficacité (dB 1w/1m)	91dB	91dB
Finis disponibles	Noir ou blanc	Noir ou blanc
Normes Environnementales	«ASTM D5894-UV Salt Fog, Mil Standard 810 Immersion, Mil-Std 883 Method 1009.8 for salt and corrosion» & Polk Audio Certification	«ASTM D5894-UV Salt Fog, Mil Standard 810 Immersion, Mil-Std 883 Method 1009.8 for salt and corrosion» & Polk Audio Certification
Matériau - caisson	Polypropylène à charge minérale	Polypropylène à charge minérale
Matériau - grille et support	Aluminium enduit de poudre	Aluminium enduit de poudre
Quincaillerie	Laiton ou acier inoxydable	Laiton ou acier inoxydable
Bornes	Bornes «5 façons» plaquées or	Bornes «5 façons» plaquées or
Options d'installation	180° Speed-Lock mounting	180° Speed-Lock mounting
Dimensions (avec support et boutons)	12 7/8" H x 8 1/2" L x 9 3/16" P (32,7cm H x 21,6cm L x 23,3cm P)	12 7/8" H x 8 1/2" L x 9 3/16" P (32,7cm H x 21,6cm L x 23,3cm P)
Poids du produit	8lbs / 3,63kg (ch.)	9,7lbs / 4,4kg (ch.)
Poids à l'expédition	21,5lbs / 9,4kg (paire)	13,5lbs / 6,1kg (ch.)

ESPECIFICACIONES

	Atrium4	Atrium5	Atrium6
Dotación de excitadores	1 cono de polímero Dynamic Balance® de 4 1/2 plg. (114mm) lleno de mineral y con envoltente goma, 1 tweeter de domo de aluminio anodizado de 3/4 plg. (19mm) con estructura de motor de neodimio	1 cono de polímero Dynamic Balance de 5 plg. (127mm) lleno de mineral y con envoltente goma, 1 tweeter de domo de aluminio anodizado de 3/4 plg. (19mm) con estructura de motor de neodimio	1 cono de polipropileno aireado Dynamic Balance de 5 1/4 plg. (133mm) con envoltente de goma, 1 tweeter de domo de aluminio anodizado de 1 plg. (25mm) con estructura de motor de neodimio
Respuesta de frecuencias	75Hz-25kHz	60Hz-25kHz	50Hz-27kHz
Potencia recomendada	Continua de 10 a 80W	Continua de 10 a 100W	Continua de 10 a 100W
Impedancia	Compatible con salidas de 8 ohmios	Compatible con salidas de 8 ohmios	Compatible con salidas de 8 ohmios
Eficacia (dB 1w/1m)	89dB	90dB	90dB
Acabados	Negro y blanco	Negro y blanco	Negro y blanco
Normas ambientales	Niebla salina ASTM D5894-UV, Inmersión Mil standard 810 y Método 1009.8 para sal y corrosión Mil standard 883 y Polk Audio Certificación	Niebla salina ASTM D5894-UV, Inmersión Mil standard 810 y Método 1009.8 para sal y corrosión Mil standard 883 y Polk Audio Certificación	Niebla salina ASTM D5894-UV, Inmersión Mil standard 810 y Método 1009.8 para sal y corrosión Mil standard 883 y Polk Audio Certificación
Material de la caja	Polipropileno lleno de mineral	Polipropileno lleno de mineral	Polipropileno lleno de mineral
Material de la rejilla y el soporte	Aluminio con revestimiento pulverizado	Aluminio con revestimiento pulverizado	Aluminio con revestimiento pulverizado
Piezas de montaje	Latón o acero inoxidable	Latón o acero inoxidable	Latón o acero inoxidable
Terminales	Terminales de 5 modos enchapadas en oro	Terminales de 5 modos enchapadas en oro	Terminales de 5 modos enchapadas en oro
Opciones de montaje	Montaje a 180° Speed-Lock™	Montaje a 180° Speed-Lock	Montaje a 180° Speed-Lock
Dimensiones (con soporte y perillas)	8 5/8 plg. de alto x 5 11/16 plg. de ancho x 6 11/16 plg. de fondo (21.9cm de alto x 14.4cm de ancho x 17cm de fondo)	10 5/16 plg. de alto x 6 3/4 plg. de ancho x 7 3/4 plg. de fondo (26.2cm de alto x 17.1cm de ancho x 19.7cm de fondo)	11 11/16 plg. de alto x 7 11/16 plg. de ancho x 8 3/4 plg. de fondo (29.7cm de alto x 19.5cm de ancho x 22.2cm de fondo)
Peso del producto	3.6lbs / 1.63kg (c/u)	4.6lbs / 2.09kg (c/u)	5.4lbs / 2.45kg (c/u)
Peso del envío	9.5lbs / 4.1 kg (par)	11.5lbs / 5.0kg (par)	16lbs / 7.0kg (par)

ESPECIFICACIONES

	Atrium7	Atrium8SDI
Dotación de excitadores	1 cono de polipropileno aireado Dynamic Balance de 6 1/2 plg. (165mm) con envoltente de goma, 1 tweeter de domo de aluminio anodizado de 1 plg. (25mm) con estructura de motor de neodimio	1 cono de polipropileno aireado Dynamic Balance de 6 1/2 plg. (165mm) con dos bobinas acústicas y envoltente de goma, dos tweeters de domo de aluminio anodizado de 1 plg. (25mm) con estructura de motor de neodimio
Respuesta de frecuencias	47Hz-27kHz	45Hz-27kHz
Potencia recomendada	Continua de 10 a 125W	Continua de 10 a 125W x 2
Impedancia	Compatible con salidas de 8 ohmios	Compatible con salidas de 8 ohmios
Eficacia (dB 1w/1m)	91dB	91dB
Acabados	Negro y blanco	Negro y blanco
Normas ambientales	Niebla salina ASTM D5894-UV, Inmersión Mil standard 810 y Método 1009.8 para sal y corrosión Mil standard 883 y Polk Audio Certificación	Niebla salina ASTM D5894-UV, Inmersión Mil standard 810 y Método 1009.8 para sal y corrosión Mil standard 883 y Polk Audio Certificación
Material de la caja	Polipropileno lleno de mineral	Polipropileno lleno de mineral
Material de la rejilla y el soporte	Aluminio con revestimiento pulverizado	Aluminio con revestimiento pulverizado
Piezas de montaje	Latón o acero inoxidable	Latón o acero inoxidable
Terminales	Terminales de 5 modos enchapadas en oro	Terminales de 5 modos enchapadas en oro
Opciones de montaje	Montaje a 180° Speed-Lock	Montaje a 180° Speed-Lock
Dimensiones (con soporte y perillas)	12 7/8 plg. de alto 8 1/2 plg. de ancho x 9 3/16 plg. de fondo (32.7cm de alto x 21.6cm de ancho x 23.3cm de fondo)	12 7/8 plg. de alto 8 1/2 plg. de ancho x 9 3/16 plg. de fondo (32.7cm de alto x 21.6cm de ancho x 23.3cm de fondo)
Peso del producto	8lbs / 3.63kg (c/u)	9.7lbs / 4.4kg (c/u)
Peso del envío	21.5lbs / 9.4kg (par)	13.5lbs / 6.1kg (c/u)

ESPECIFICAÇÕES

	Atrium4	Atrium5	Atrium6
Complemento do driver	Cone de polímero Dynamic Balance® com carga mineral de 4 1/2" (114mm) perímetro de borracha, com tweeter cúpula de alumínio anodizado de 3/4" (19mm) com estrutura de motor de neodímio	Cone de polímero Dynamic Balance com carga mineral de 5" (127mm) perímetro de borracha, com tweeter cúpula de alumínio anodizado de 3/4" (19mm) com estrutura de motor de neodímio	Cone Dynamic Balance de polipropileno aerado de 5 1/4" (133mm) perímetro de borracha, tweeter com cúpula de alumínio anodizado de 1" (25mm) com estrutura de motor de neodímio
Resposta de frequência	75Hz-25kHz	60Hz-25kHz	50Hz-27kHz
Potência recomendada	10-80W contínuos	10-100W contínuos	10-100W contínuos
Impedância	Compatível com saídas de 8 Ohm	Compatível com saídas de 8 Ohm	Compatível com saídas de 8 Ohm
Eficiência (dB 1w/1m)	89dB	90dB	90dB
Acabamentos disponíveis	Preto e branco	Preto e branco	Preto e branco
Padrões ambientais	ASTM D5894-UV Salt Fog (Exposição ultravioleta, névoa de sal), Mil Standard 810 Immersion (Norma militar 810—Imersão), Mil-Std 883 Método 1009.8 para sal e corrosão Polk Audio Certificação	ASTM D5894-UV Salt Fog (Exposição ultravioleta, névoa de sal), Mil Standard 810 Immersion (Norma militar 810—Imersão), Mil-Std 883 Método 1009.8 para sal e corrosão Polk Audio Certificação	ASTM D5894-UV Salt Fog (Exposição ultravioleta, névoa de sal), Mil Standard 810 Immersion (Norma militar 810—Imersão), Mil-Std 883 Método 1009.8 para sal e corrosão Polk Audio Certificação
Material da caixa	Polipropileno com carga mineral	Polipropileno com carga mineral	Polipropileno com carga mineral
Material da grade e suporte	Alumínio com revestimento em pó	Alumínio com revestimento em pó	Alumínio com revestimento em pó
Ferragens	Latão ou aço inoxidável	Latão ou aço inoxidável	Latão ou aço inoxidável
Terminais	Terminais de conexão de 5 vias folheados a ouro	Terminais de conexão de 5 vias folheados a ouro	Terminais de conexão de 5 vias folheados a ouro
Opções de instalação	Instalação Speed-Lock™ de 180°	Instalação Speed-Lock de 180°	Instalação Speed-Lock de 180°
Peso do produto (com suporte e botões)	(21,9cm A x 14,4cm L x 17cm P)	(26,2cm A x 17,1cm L x 19,7cm P)	(29,7cm A x 19,5cm L x 22,2cm P)
Peso do produto	3,6lbs / 1,63kg (cada)	4,6lbs / 2,09kg (cada)	5,4lbs / 2,45kg (cada)
Peso na embalagem	9,5lbs / 4,1 kg (o par)	11,5lbs / 5,0kg (o par)	16lbs / 7,0kg (o par)

ESPECIFICAÇÕES

	Atrium7	Atrium8sdi
Complemento do driver	Cone Dynamic Balance de polipropileno aerado de 6 1/2" (165mm), perímetro de borracha, tweeter com cúpula de alumínio anodizado de 1" (25mm) com estrutura de motor de neodímio	Cone Dynamic Balance de polipropileno aerado com duas bobinas móveis de 6 1/2" (165mm), perímetro de borracha, dois tweeters com cúpula de alumínio anodizado de 1" (25mm) com estrutura de motor de neodímio
Resposta de frequência	47Hz-27kHz	45Hz-27kHz
Potência recomendada	10-125W contínuos	10-125W x 2 contínuos
Impedância	Compatível com saídas de 8 Ohm	Compatível com saídas de 8 Ohm
Eficiência (dB 1w/1m)	91dB	91dB
Available Finishes	Preto e branco	Preto e branco
Padrões ambientais	ASTM D5894-UV Salt Fog (Exposição ultravioleta, névoa de sal), Mil Standard 810 Immersion (Norma militar 810—Imersão), Mil-Std 883 Método 1009.8 para sal e corrosão Polk Audio Certificação	ASTM D5894-UV Salt Fog (Exposição ultravioleta, névoa de sal), Mil Standard 810 Immersion (Norma militar 810—Imersão), Mil-Std 883 Método 1009.8 para sal e corrosão Polk Audio Certificação
Material da caixa	Polipropileno com carga mineral	Polipropileno com carga mineral
Material da grade e suporte	Alumínio com revestimento em pó	Alumínio com revestimento em pó
Ferragens	Latão ou aço inoxidável	Latão ou aço inoxidável
Terminais	Terminais de conexão de 5 vias folheados a ouro	Terminais de conexão de 5 vias folheados a ouro
Opções de instalação	Instalação Speed-Lock de 180°	Instalação Speed-Lock de 180°
Dimensões (com suporte e botões)	(32,7cm A x 21,6cm L x 23,3cm P)	(32,7cm A x 21,6cm L x 23,3cm P)
Peso do produto	8lbs / 3,63kg (cada)	9,7lbs / 4,4kg (cada)
Peso na embalagem	21,5lbs / 9,4kg (o par)	13,5lbs / 6,1kg (cada)

Limited Warranty

Polk Audio, Inc. warrants to the original purchaser only that this Polk Audio Loudspeaker Product (the "Product") will be free from defects in materials and workmanship for a period of five (5) years from the date of original retail purchase from a Polk Audio Authorized Dealer. However, this Warranty will automatically terminate prior to the expiration of the five (5) years if the original retail purchaser sells or otherwise transfers the Product to any other party. The original retail purchaser shall hereinafter be referred to as "you." To allow Polk Audio to offer the best possible warranty service, please fill out the Product Registration Card(s) and send it to the Factory, at the address provided on the Product Cards(s) within ten (10) days of the date of purchase. Defective Products must be shipped, together with proof of purchase, prepaid insured to the Polk Audio Authorized Dealer from whom you purchased the Product, or to the Factory at 1 Viper Way, Vista, California 92081. Products must be shipped in the original shipping container or its equivalent; in any case the risk of loss or damage in transit is to be borne by you. If upon examination at the Factory or Polk Audio Authorized Dealer it is determined that the unit was defective in materials or workmanship at any time during this Warranty period, Polk Audio or the Polk Audio Authorized Dealer will, at its option, repair or replace this Product at no additional charge, except as set forth below. All replaced parts and Products become the property of Polk Audio. Products replaced or repaired under this warranty will be returned to you, within a reasonable time, freight prepaid.

This warranty does not include service or parts to repair damage caused by accident, disaster, misuse, abuse, negligence, inadequate packing or shipping procedures, commercial use, voltage inputs in excess of the rated maximum of the unit, cosmetic appearance of cabinetry not directly attributable to defect in materials or workmanship, or service, repair, or modification of the Product which has not been authorized or approved by Polk Audio. This warranty shall terminate if the Serial number on the Product has been removed, tampered with or defaced. This warranty is in lieu of all other expressed Warranties. If this Product is defective in materials or workmanship as warranted above, your sole remedy shall be repair or replacement as provided above. In no event will Polk Audio, Inc. be liable to you for any incidental or consequential damages arising out of the use or inability to use the Product, even if Polk Audio, Inc. or a Polk Audio Authorized Dealer has been advised of the possibility of such damages, or for any claim by any other party. Some states do not allow the exclusion or limitation of consequential damages, so the above limitation and exclusion may not apply to you.

All implied warranties on this Product are limited to the duration of this expressed Warranty. Some states do not allow limitation on how long an implied Warranty lasts, so the above limitations may not apply to you. This Warranty gives you specific legal rights, and you also may have other rights which vary from state to state.

This Warranty applies only to Products purchased in the United States of America, its possessions, and U.S. and NATO armed forces exchanges and audio clubs. The Warranty terms and conditions applicable to Products purchased in other countries are available from the Polk Audio Authorized Distributors in such countries.

Garantie Limitée

Polk Audio Inc. garantit à l'acheteur au détail original seulement que ce produit Polk Audio (le produit) sera exempt de défauts imputables aux pièces d'origine et à la main d'œuvre pour une période de cinq (5) ans à partir de la date de l'achat au détail original chez un revendeur agréé. Cependant, cette garantie sera automatiquement annulée avant l'expiration de la période de cinq (5) ans si l'acheteur original vend ou transfère le produit à tout autre parti. L'acheteur au détail original sera nommé ci-après «vous». Pour permettre à Polk Audio de vous offrir le meilleur service de garantie possible, veuillez remplir la (les) carte(s) d'enregistrement de produit et la (les) poster à l'usine à l'adresse inscrite sur la (les) carte(s) d'enregistrement dans les dix (10) jours suivant la date de l'achat original.

Les produits défectueux doivent être expédiés, avec une preuve d'achat, francs de port et dûment assurés, au revendeur agréé Polk Audio de qui vous avez acheté le produit, ou à l'usine Polk Audio, à l'adresse: 1 Viper Way, Vista, California 92081. Les produits doivent être expédiés dans leur carton d'expédition original ou dans un contenant équivalent. En tout cas le propriétaire doit assumer tout risque de perte ou de dommage en transit.

Si, suite à l'examen du produit à l'usine Polk ou chez le revendeur agréé Polk Audio, il est déterminé que la défectuosité est imputable aux matériaux d'origine ou à la main d'œuvre au cours de la période de la garantie spécifiée, Polk Audio ou le revendeur Polk Audio réparera ou remplacera, à sa guise, le produit sans frais additionnels sauf dans les cas décrits ci-dessous. Toute pièce ou produit remplacé devient la propriété de Polk Audio. Les produits réparés ou remplacés sous la garantie vous seront expédiés francs de port dans un délai raisonnable.

Cette garantie n'inclut pas le service ou les pièces nécessaires à la réparation des dommages provoqués par accident, désastre, abus, négligence, mode d'expédition ou emballage inadéquat, utilisation commerciale, tensions supérieures au maximum prescrit pour l'unité, détérioration de l'aspect visuel de l'unité non directement attribuable à un défaut de pièces d'origine ou de main d'œuvre, ou par le service, la réparation, ou toute modification du produit n'ayant pas été autorisé ou approuvé par Polk Audio.

Cette garantie sera annulée si le numéro de série sur le produit a été enlevé, altéré ou falsifié. Cette garantie prend préséance sur toutes autres garanties énoncées. Si la défectuosité de ce produit est imputable aux pièces d'origine ou à la main d'œuvre selon les conditions de la garantie exprimées ci-dessus, votre seul recours sera la réparation ou le remplacement selon les conditions décrites ci-dessus. Dans aucun cas Polk Audio, Inc. pourra-t-elle être tenue responsable de tout dommage accessoire ou indirect causé par l'utilisation ou par l'incapacité d'utilisation du produit, même si Polk Audio, Inc. ou un revendeur agréé Polk Audio, a été avisé de la possibilité de tel dommage, ou pour toute réclamation par tout autre parti. Certains états ne permettant pas l'exclusion ou la limitation des dommages indirects, les limitations et exclusions exprimées ci-dessus pourraient ne pas s'appliquer dans votre cas.

Toutes les garanties tacites sur ce produit sont limitées à la durée de la garantie énoncée. Certains états ne permettant pas la limitation de la durée d'une garantie tacite, les limitations ci-dessus pourraient ne pas s'appliquer dans votre cas. Cette garantie vous accorde des droits légaux spécifiques; vous pourriez également avoir d'autres droits qui pourraient varier d'état en état.

Cette garantie s'applique seulement aux produits achetés aux États-Unis d'Amérique et ses possessions, et dans les clubs audio et d'échange des forces armées des É.-U. et de l'OTAN. Les modalités et les conditions de garantie applicables aux produits achetés dans d'autres pays sont disponibles chez les distributeurs agréés Polk Audio établis dans ces pays.

polkaudio®

**5601 METRO DRIVE
BALTIMORE, MARYLAND 21215
800-377-7655 (US & CAN, OUTSIDE US 410-358-3600)
WWW.POLKAUDIO.COM**



Free Manuals Download Website

<http://myh66.com>

<http://usermanuals.us>

<http://www.somanuals.com>

<http://www.4manuals.cc>

<http://www.manual-lib.com>

<http://www.404manual.com>

<http://www.luxmanual.com>

<http://aubethermostatmanual.com>

Golf course search by state

<http://golfingnear.com>

Email search by domain

<http://emailbydomain.com>

Auto manuals search

<http://auto.somanuals.com>

TV manuals search

<http://tv.somanuals.com>