

RTi S E R I E S

RTi28

Bookshelf Loudspeaker

RTi38

Bookshelf Loudspeaker

RTi70

Floorstanding Loudspeaker

RTi150

Floorstanding Loudspeaker

**Owner's
Manual**

polkaudio
the speaker specialists®

POLK AUDIO—A PASSION FOR SOUND

Thank you for purchasing this Polk Audio loudspeaker. Since its start in 1972, Polk Audio has been dedicated to audio products that emphasize superior sound and build quality, as well as an ever-evolving standard for performance. It's our mission to provide these great products at a reasonable price for the enjoyment of people like you, who love good sound. Our thirty years of R&D, resulting in over 45 worldwide patents for loudspeaker technology and innovation, has solidified our reputation as "The Speaker Specialists," and demonstrated that for the people here at Polk Audio, building speakers is not just a job; it's a *passion*. Welcome to the Polk Audio family!

PLACEMENT RECOMMENDATIONS FOR RTi28 & RTi38 BOOKSHELF LOUDSPEAKERS

The RTi Series Bookshelf Loudspeakers were designed to provide excellent performance on a bookshelf, in a wall unit or placed on a floor stand (available from your Polk Audio retailer, or <http://shop.polkaudio.com/>). To get the most realistic stereo image and lifelike sound, place the speakers so that an equilateral triangle is created between the speakers and your favorite listening position **[figure 1]**. If you must place the speakers farther apart than the distance from which you are listening, angle the speakers toward the middle in order to support a more solid center image. If you are using your RTi Series Bookshelf Loudspeakers as rear channels in a home theater system, they should be placed on the rear or side walls, slightly above (and, on the side walls behind) the listening position **[figures 2a & 2b]**.

PLACEMENT RECOMMENDATIONS FOR RTi70 & RTi150 FLOORSTANDING LOUDSPEAKERS

To get the most realistic stereo image and lifelike sound, place the speakers so that an equilateral triangle is created between the speakers and your favorite listening position **[figure 1]**. If your room arrangement forces you to place the speakers farther apart than the distance from which you are listening, angle the speakers toward the middle in order to support a more solid center image. Rubber feet and adjustable carpet spikes are included to provide stability on any type of floor. To install them, lay the speaker carefully on its side and screw in the spikes as far as they will go into the threaded inserts in the base of the speaker. For wood or tile floors, slip a rubber foot over each spike. For carpeted floors, use bare spikes **[figure 3]**. You will achieve optimum performance when the speaker is level and stable in all directions.

Your RTi Series Loudspeakers are magnetically shielded for safe placement near your TV or video monitor. If you notice video distortion or discoloration, immediately move the speakers away from the TV and call Polk Audio Customer Service 800-377-7655 (US and Canada) or polkcs@polkaudio.com.

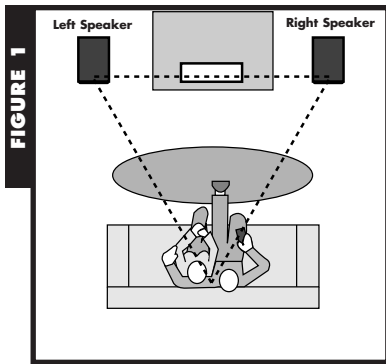


FIGURE 1

Create an equilateral triangle between the speakers and the listening position. RTi Series Loudspeakers are magnetically shielded for safe placement near TV or video monitors. If you notice video distortion or discoloration, immediately move the speakers away from the video source and call Polk Audio Customer Service 800.377.7655 (US and Canada) or polkcs@polkaudio.com.

Haga un triángulo equilátero con los altavoces y la posición de audición.

Créez un triangle équilatéral entre les enceintes et la position d'écoute.

Bilden Sie ein Dreieck zwischen den Lautsprechern und Ihrer Hörposition.

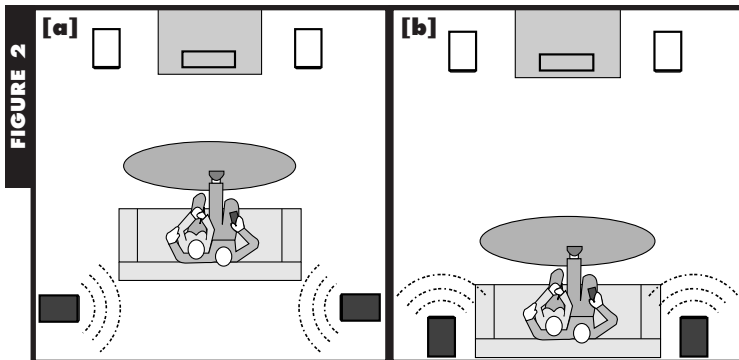


FIGURE 2a & 2b

Placement options for rear/surround Bookshelf speaker use.

Opciones de colocación para el uso de altavoces de atrás o surround.

Options de disposition des enceintes arrière-ambophoniques.

Platzierungsoptionen für die Verwendung von Lautsprechern hinten bzw. Surround-Lautsprechern.

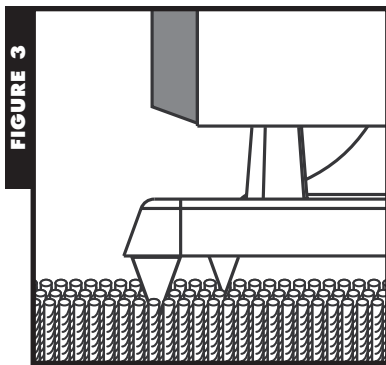


FIGURE 3

For stability on carpet, use spikes. For stability on hard floors, use rubber feet over spikes.

Use púas para estabilizar los altavoces sobre una alfombra.

Use patas de goma sobre las púas para estabilizarlos sobre pisos duros.

Pour plus de stabilité sur tapis, utilisez les picots.

Sur planchers, recouvrez les picots des pieds de caoutchouc.

Die Verwendung von Befestigungsstützen gewährleistet die Stabilität der Lautsprecher bei Platzierung auf Teppichböden. Auf hartem Untergrund sollten die Stützen mit Gummifüßen überzogen werden.

**BASIC CONNECTION
FOR RTi SERIES LOUDSPEAKERS
[FIGURE 4]**

Follow the hookup directions included with your receiver. Strip 1/2 inch (12.7mm) of insulation from each of the two conductors of the wire to expose the bare metal and twist each of the individual conductors into single unfrayed strands. Note that one of the terminals on the rear of each speaker is red (+) and the other is black (-). Make certain that you connect the wire from the red (+) terminal of your amplifier or receiver to the red (+) terminal on your speaker and the wire from the black (-) terminal of your amplifier or receiver to the black (-) terminal on your speaker. Most wire has some indicator (such as color-coding, ribbing or writing) on one of the two conductors to help you maintain consistency.

To connect wire to the binding post **[figure 5]**, unscrew the hex nut and insert the bare wire into the hole near the base of the binding post. Do not insert the insulated part of the wire into the hole as this will not give you a good connection. Twist the hex nut back down the binding post until it firmly meets the wire. Do not over tighten.

To Use Banana Plugs (US Only): Screw down the binding post nuts all the way. Use a sharp knife or other sharp tool to pry the colored plastic insert out of the center of the post to expose the banana-plug hole.

**BI-WIRING AND BI-AMPING
FOR RTi SERIES LOUDSPEAKERS [RTi70 ONLY]**

If you decide to bi-wire or bi-amp, you must remove the flat metal jumpers between terminal posts. Failure to do this could result in damage to your amplifier and loudspeakers.

Bi-wiring [figure 6] can provide noticeable improvements in the overall transparency of your loudspeakers. Run separate speaker wires to the low and high frequency drivers from a single amplifier: after removing the jumpers, connect one set of speaker wires to the upper terminals on each speaker and one set of (usually heavier gauge) wires to the lower terminals. Connect the other ends of both wire sets to the corresponding amplifier outputs.

Bi-amping [figure 7] allows you to use separate amplifiers for the high and low frequency sections of your loudspeaker for greater dynamic range and lower distortion. After removing the jumpers, connect the speaker wires from the high frequency amplifier outputs to the upper set of terminal posts on each speaker. Follow the same procedure for connecting the low frequency amplifier outputs to the lower set of terminals. Remember to maintain correct wiring polarity (+ to +, - to -) in all connections.

FOR MANUAL UPDATES, VISIT

<http://www.polkaudio.com/home/library/manuals.php>

FOR MORE DETAILED HOOK-UP AND PLACEMENT INFORMATION, VISIT

<http://www.polkaudio.com/home/faqad/>

FOR RECOMMENDED ACCESSORIES (INCLUDING SPEAKER STANDS, BRACKETS AND EXCLUSIVE POLK AUDIO LOGOWEAR), VISIT OUR WEBSTORE:

<http://shop.polkaudio.com/>

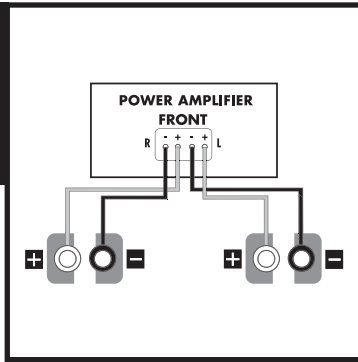
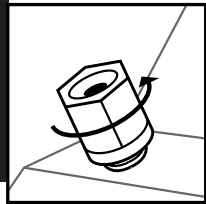
FIGURE 4**FIGURE 4**
Basic hookup diagram for RTi Loudspeakers.

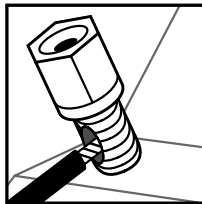
Diagrama básico de conexión.

Diagramme de branchement rudimentaire.

Grundlegendes Anschlussdiagramm.

FIGURE 5

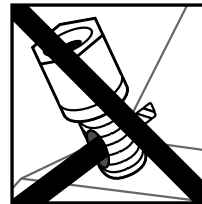
Loosen hex nut
Desenrosque parcialmente
la tuerca hexagonal
Desserrer l'écrou
Sechskantmutter lösen



Insert speaker wire
through hole
Inserte el alambre para
la bocina en el orificio
Insérer le fil du haut-parleur
dans le trou
Lautsprecher-Draht durch
das Loch schieben



Tighten hex nut
Enrosque la tuerca de nuevo
Serrer l'écrou
Sechskantmutter festschrauben



Do not insert insulated
section of speaker wire
No inserte alambre con
material aislante
Ne pas insérer la partie
isolée du fil du haut-parleur
Isolation des Lautsprecher-
Drahtes nicht in
das Loch schieben

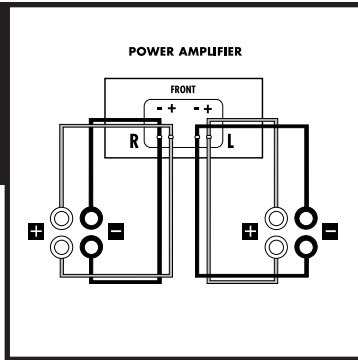
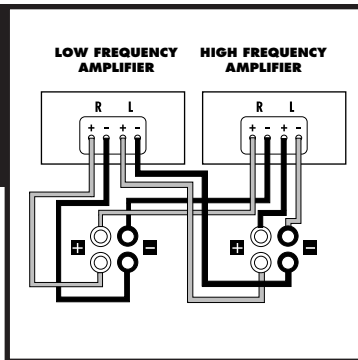
FIGURE 5
Using binding post connections.

Uso de conexiones con tornillos de presión.

Utilisation des bornes de branchement.

Verwendung von Anschlussklemmen.

To use Banana Plugs (US only):
Screw down the binding post nuts all the way.
Use a sharp knife or other sharp tool to pry
the colored plastic insert out of the center of
the post to expose the banana-plug hole.
(This is for US owners only.)

FIGURE 6**FIGURE 6**
Bi-wiring, or using separate speaker wire connections
for high and low frequency sections. (RTi70 & RTi150 only)Bicableado, o uso de conexiones de cables de altavoz
separadas para las secciones de alta y baja frecuencia. (RTi70 & RTi150 only)Bi-câblage: l'utilisation de câbles distincts pour brancher les
composantes des hautes et des basses fréquences de vos enceintes. (RTi70 & RTi150 only)Verwendung von unterschiedlichen Kabelverbindungen
für hohe und niedrige Frequenzen. (RTi70 & RTi150 only)**FIGURE 7****FIGURE 7**
Bi-amping, or using separate amplifiers for the low and
high frequency sections of your speakers. (RTi70 & RTi150 only)Bi-amplificación, o uso de amplificadores separados para las secciones
de baja y alta frecuencia de los altavoces. (RTi70 & RTi150 only)Bi-amplification: l'utilisation d'amplis distincts pour alimenter les
composantes des hautes et des basses fréquences de vos enceintes. (RTi70 & RTi150 only)Verwendung von unterschiedlichen Verstärkern für
niedrige und hohe Frequenzen der Lautsprecher. (RTi70 & RTi150 only)

WALL MOUNTING THE RTi28 AND RTi38 BOOKSHELF LOUDSPEAKERS

The RTi Series Bookshelf Loudspeakers feature a rear firing Power Port which doubles as a wall mounting bracket. Follow the steps below to safely wall mount these speakers. Wall mounting requires basic skills in with tools such as a drill and a screwdriver. If you are in doubt that you possess the necessary skills or tools, consult your Polk Audio dealer, or a professional installer.

- Make sure the material on which you plan to mount the speakers (plaster, drywall, paneling, stone, etc.) can support the weight of the speakers (RTi28=approx 15lbs/6.8kg ea., RTi23=approx 20lbs/9.1kg ea.).
- Make sure the locations you select do not conceal electrical wiring or plumbing.
- Prior to installation, hold the speaker in the chosen location to make sure it safely clears obstacles such as ceiling, adjacent walls, corners, beams, lighting fixtures and door/window frames.
- Using the keyhole slot in the bracket template (included), mark the installation location of the keyhole slot with a pencil **[figure 8]**. Orient the template so that the small end of the keyhole slot facing "up" according to the direction of installation.
- If you are certain that there is a stud behind the wall surface, drive #10 screws (*not included*) through the wall and into the stud **[figure 9a]**.
- If there is no stud behind the wall at the chosen location, install #10 wall anchors (*not supplied*) into the wall by following the wall-anchor-manufacturer's instructions. Always use two wall anchors and two screws per speaker **[figure 9b]**.
- For masonry walls, use a masonry drill bit and #10 masonry anchor and screw (*not included*).
- Tighten screws into stud or wall anchors, leaving screw heads protruding 1/16" (1.6mm).
- Line up the keyhole slots on the back of the Power Port so that the screw heads pass through the large center hole of the slots.
- Let the speaker and slide straight down, allowing the screw head to slip behind the smaller end of the keyhole slot **[figure 10]**.
- Tug gently on the speaker to make certain that the screws and bracket are properly aligned and that the wall anchors are secure.
- If the bracket is not held snug against the wall by the screw heads, remove the speaker from the wall, drive the screws in a little further and then remount the speaker.

SAFE LIMITS OF OPERATION

Your Polk loudspeakers are made with the highest quality materials for years of trouble-free performance. However, damage to loudspeakers can occur when an amplifier, regardless of its wattage, is made to play at higher listening levels than its power can clearly produce (usually beyond the "1 to 2 o'clock" position on the volume control). This results in very high levels of audible distortion, originating in the amplifier, that can add a harsh, gritty sound to music. Contrary to popular belief, a speaker is more likely to be damaged by trying to get too much volume from a low-powered amp or receiver than from a high powered one.

TAKING CARE OF YOUR RTi SERIES LOUDSPEAKERS **[figure 11]**

Your new RTi Loudspeakers are finished in natural wood veneer. Clean and dust the veneer with a damp cloth only. Do not use furniture polish on the veneer. Carefully vacuum the grilles to remove dust.

FIGURE 8

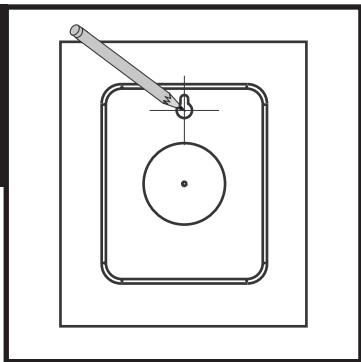


FIGURE 8

Use template to mark mounting location.

Use la plantilla para marcar la ubicación de montaje.

Utilisez le gabarit pour marquer le lieu de fixation.

Verwenden Sie die Schablone zur Markierung der Befestigungsstelle.

FIGURE 9

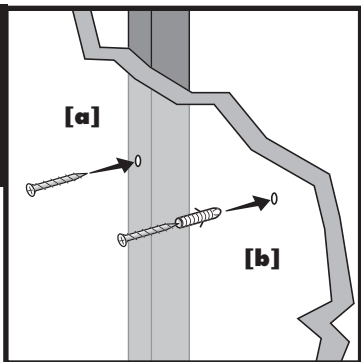


FIGURE 9a & 9b

Use #10 screw for wall stud, use #10 wall anchors + screw for no wall stud.

Use un tornillo n° 10 si hay parales internos en la pared, use anclas de pared n° 10 y un tornillo si no hay.

Utilisez des vis #10 pour fixation sur montant ou des chevilles d'ancrage #10 avec vis s'il n'y a pas de montant.

Verwenden Sie eine Schraube (Nr. 10) für Wände mit Holzstielverstärkung bzw. Dübel und Schrauben (Nr. 10) für Wände ohne Holzstielverstärkung.

FIGURE 10

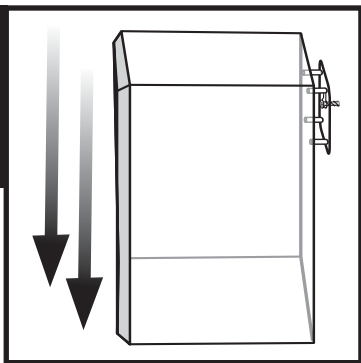


FIGURE 10

Slide the speaker down on the screw heads to catch the keyhole slots.

Deslice el altavoz hacia abajo sobre las cabezas de los tornillos para que entren en las ranuras en forma de cerradura.

Glissez l'enceinte sur les têtes de vis jusqu'à ce que les encoches en trou de serrure s'enclenchent.

Schieben Sie den Lautsprecher auf die Schraubköpfe herunter, so dass sie in den Ritzen einrastet.

FIGURE 11



FIGURE 11

Do not use furniture polish on veneer. Clean veneer with a damp cloth.

Cuidado del acabado de madera natural.

Entretien de la finition en bois véritable.

Pflege der Holzappretur.

LIMITED FIVE YEAR WARRANTY

Polk Audio, Inc. warrants to the original purchaser only that this Polk Audio Loudspeaker Product (the "Product") will be free from defects in materials and workmanship for a period of five (5) years from the date of original retail purchase from a Polk Audio Authorized Dealer. However, this Warranty will automatically terminate prior to the expiration of the five (5) years if the original retail purchaser sells or otherwise transfers the Product to any other party. The original retail purchaser shall hereinafter be referred to as "you." To allow Polk Audio to offer the best possible warranty service, please fill out the Product Registration Card(s) and send it to the Factory, at the address provided on the Product Cards(s) within ten (10) days of the date of purchase.

Defective Products must be shipped, together with proof of purchase, prepaid insured to the Polk Audio Authorized Dealer from whom you purchased the Product, or to the Factory at 2550 Britannia Boulevard, Suite D, San Diego, California 92154. Products must be shipped in the original shipping container or its equivalent; in any case the risk of loss or damage in transit is to be borne by you. If upon examination at the Factory or Polk Audio Authorized Dealer it is determined that the unit was defective in materials or workmanship at any time during this Warranty period, Polk Audio or the Polk Audio Authorized Dealer will, at its option, repair or replace this Product at no additional charge, except as set forth below. All replaced parts and Products become the property of Polk Audio. Products replaced or repaired under this warranty will be returned to you, within a reasonable time, freight prepaid.

This warranty does not include service or parts to repair damage caused by accident, disaster, misuse, abuse, negligence, inadequate packing or shipping procedures, commercial use, voltage inputs in excess of the rated maximum of the unit, cosmetic appearance of cabinetry not directly attributable to defect in materials or workmanship, or service, repair, or modification of the Product which has not been authorized or approved by Polk Audio. This warranty shall terminate if the Serial number on the Product has been removed, tampered with or defaced.

This warranty is in lieu of all other expressed Warranties. If this Product is defective in materials or workmanship as warranted above, your sole remedy shall be repair or replacement as provided above. In no event will Polk Audio, Inc. be liable to you for any incidental or consequential damages arising out of the use or inability to use the Product, even if Polk Audio, Inc. or a Polk Audio Authorized Dealer has been advised of the possibility of such damages, or for any claim by any other party. Some states do not allow the exclusion or limitation of consequential damages, so the above limitation and exclusion may not apply to you.

All implied warranties on this Product are limited to the duration of this expressed Warranty. Some states do not allow limitation on how long an implied Warranty lasts, so the above limitations may not apply to you. This Warranty gives you specific legal rights, and you also may have other rights which vary from state to state.

This Warranty applies only to Products purchased in the United States of America, its possessions, and U.S. and NATO armed forces exchanges and audio clubs. The Warranty terms and conditions applicable to Products purchased in other countries are available from the Polk Audio Authorized Distributors in such countries.

SPECIFICATIONS

RTi28

DRIVER COMPLEMENT:

5½"(13.3cm) driver
1"(2.5cm) tweeter

OVERALL FREQUENCY RESPONSE:

49Hz-27kHz

-3DB LIMITS:

59Hz-26kHz

RECOMMENDED AMPLIFICATION:

20-125 watts/channel

EFFICIENCY (1M, 2.83Vms):

89dB

IMPEDANCE:

Compatible with 8 Ohm Outputs

CROSSOVER FREQUENCY:

2.4k

CROSSOVER SLOPE:

2nd Order HP, 2nd Order LP

ENCLOSURE TYPE:

Power Port

DIMENSIONS:

12"H x 7¾"W x 8¾"D
(30.5cmH x 18.7cmW x 21.9cmD)

SHIPPING WEIGHT:

31 lbs. (15kg.) pair

RTi38

DRIVER COMPLEMENT:

6½"(16.5cm) driver
1"(2.5cm) tweeter

OVERALL FREQUENCY RESPONSE:

38Hz-27kHz

-3DB LIMITS:

49Hz-26kHz

RECOMMENDED AMPLIFICATION:

20-150 watts/channel

EFFICIENCY (1M, 2.83Vms):

89dB

IMPEDANCE:

Compatible with 8 Ohm Outputs

CROSSOVER FREQUENCY:

2.2k

CROSSOVER SLOPE:

2nd Order HP, 2nd Order LP

ENCLOSURE TYPE:

Power Port

DIMENSIONS:

15½"H x 8¾"W x 10¾"D
(38.7cmH x 20.9cmW x 27.6cmD)

SHIPPING WEIGHT:

45 lbs. (20.5kg.) pair

RTi70

DRIVER COMPLEMENT:

2 - 6½"(16.5cm) drivers
1"(2.5cm) tweeter

OVERALL FREQUENCY RESPONSE:

28Hz-27kHz

-3DB LIMITS:

40Hz-26kHz

RECOMMENDED AMPLIFICATION:

20-250 watts/channel

EFFICIENCY (1M, 2.83Vms):

90dB

IMPEDANCE:

Compatible with 8 Ohm Outputs

CROSSOVER FREQUENCY:

2.1k

CROSSOVER SLOPE:

2nd Order HP, 2nd Order LP

ENCLOSURE TYPE:

Power Port

DIMENSIONS:

39"H x 8¾"W x 11"D
(99cmH x 20.9cmW x 27.9cmD)

BASE DIMENSIONS:

9"W x 12¼"D
(22.9cmW x 31.1cmD)

SHIPPING WEIGHT:

48 lbs. (22kg.) each

RTi150

DRIVER COMPLEMENT:

3 - 6½"(16.5cm) long-throw woofers (shielded)
1 - 6½"(16.5cm) mid/woofer (shielded)
1"(2.5cm) silk/polymer composite
dome tweeter (shielded)

OVERALL FREQUENCY RESPONSE:

20Hz-27kHz

-3DB LIMITS:

26Hz-26kHz

RECOMMENDED AMPLIFICATION:

50-500 watts/channel

EFFICIENCY (1M, 2.83Vms):

91dB

IMPEDANCE:

Compatible with 8 Ohm Outputs

CROSSOVER FREQUENCIES:

200Hz, 2.4kHz

CROSSOVER SLOPE:

Woofers LP 2nd Order
Mid/woofer HP 1st Order, LP 2nd Order
Tweeter HP 2nd Order

ENCLOSURE TYPE:

Power Port

DIMENSIONS:

48"H x 8¾"W x 14¾"D
(121.9cmH x 20.9cmW x 37.8cmD)

BASE DIMENSIONS:

9"W x 16¾"D
(22.9cmW x 31.1cmD)

SHIPPING WEIGHT:

81 lbs. (36.7kg.) each

polkaudio
the speaker specialists®

POLK AUDIO, INC. • 5601 METRO DRIVE, BALTIMORE, MD 21215
USA 800.377.7655 • (410) 358-3600 (OUTSIDE OF THE US & CANADA)
CUSTOMER SERVICE FAX: 410.764.5266 • WWW.POLKAUDIO.COM

RM0366-2

Download from Www.Somanuals.com. All Manuals Search And Download.



Free Manuals Download Website

<http://myh66.com>

<http://usermanuals.us>

<http://www.somanuals.com>

<http://www.4manuals.cc>

<http://www.manual-lib.com>

<http://www.404manual.com>

<http://www.luxmanual.com>

<http://aubethermostatmanual.com>

Golf course search by state

<http://golfingnear.com>

Email search by domain

<http://emailbydomain.com>

Auto manuals search

<http://auto.somanuals.com>

TV manuals search

<http://tv.somanuals.com>