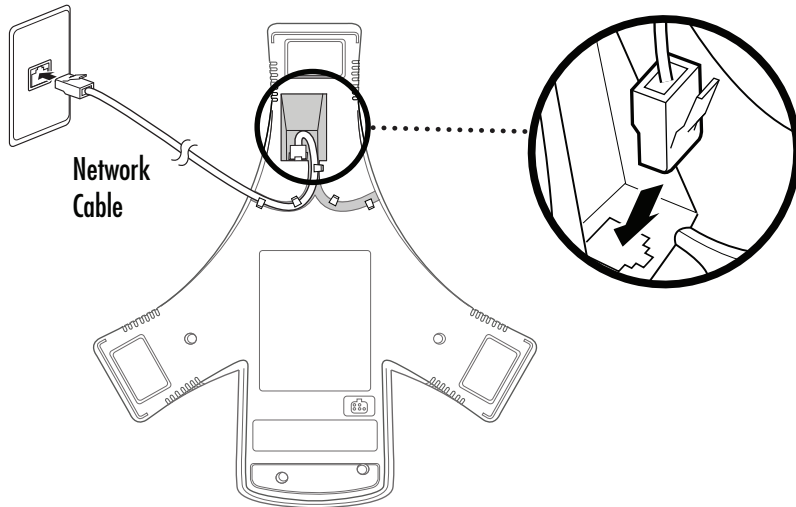
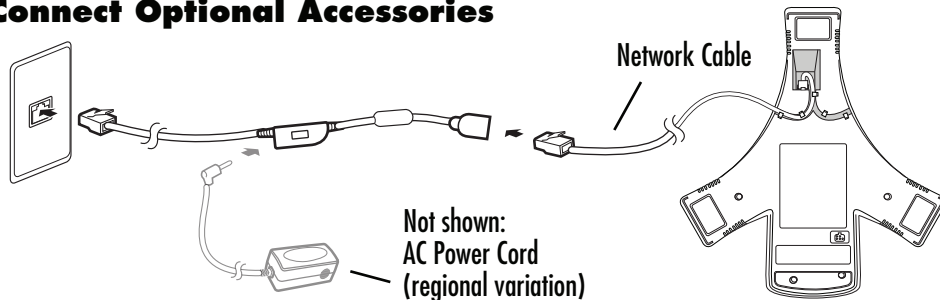


Connect Network Cable



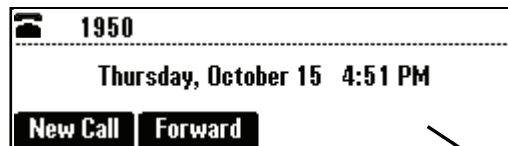
Connect Optional Accessories



Startup

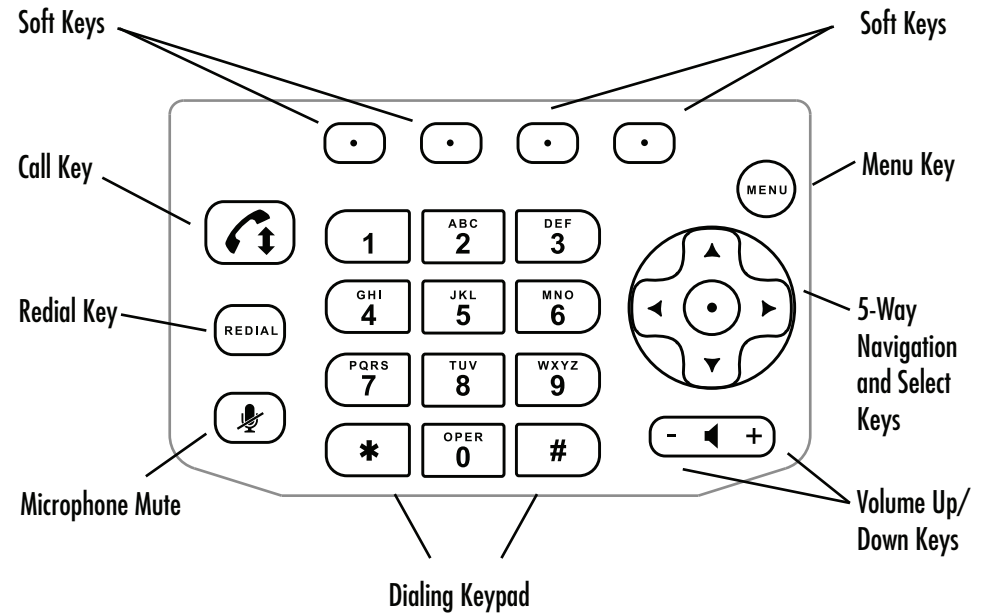
After connecting to the network, the SoundStation® IP 5000 automatically powers up via Power over Ethernet (PoE), and begins a process of establishing itself on the network. When this is complete, the idle screen is displayed (as shown below).

For more information, refer to the SoundStation IP 5000 documentation, available online at: http://www.polycom.com/support/voice/soundstation_ip5000

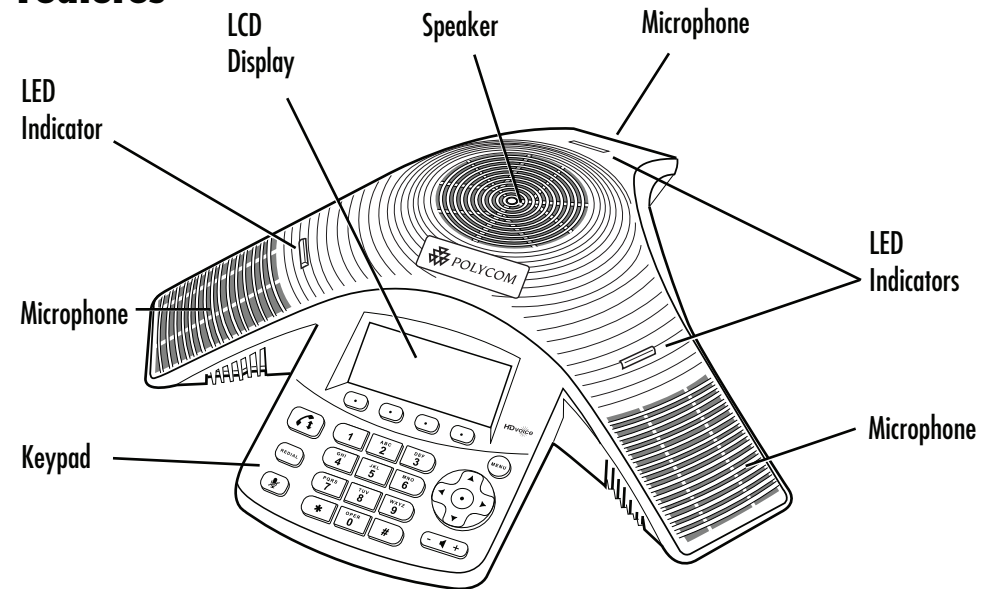


Idle Screen

Keypad



Features



Free Manuals Download Website

<http://myh66.com>

<http://usermanuals.us>

<http://www.somanuals.com>

<http://www.4manuals.cc>

<http://www.manual-lib.com>

<http://www.404manual.com>

<http://www.luxmanual.com>

<http://aubethermostatmanual.com>

Golf course search by state

<http://golfingnear.com>

Email search by domain

<http://emailbydomain.com>

Auto manuals search

<http://auto.somanuals.com>

TV manuals search

<http://tv.somanuals.com>