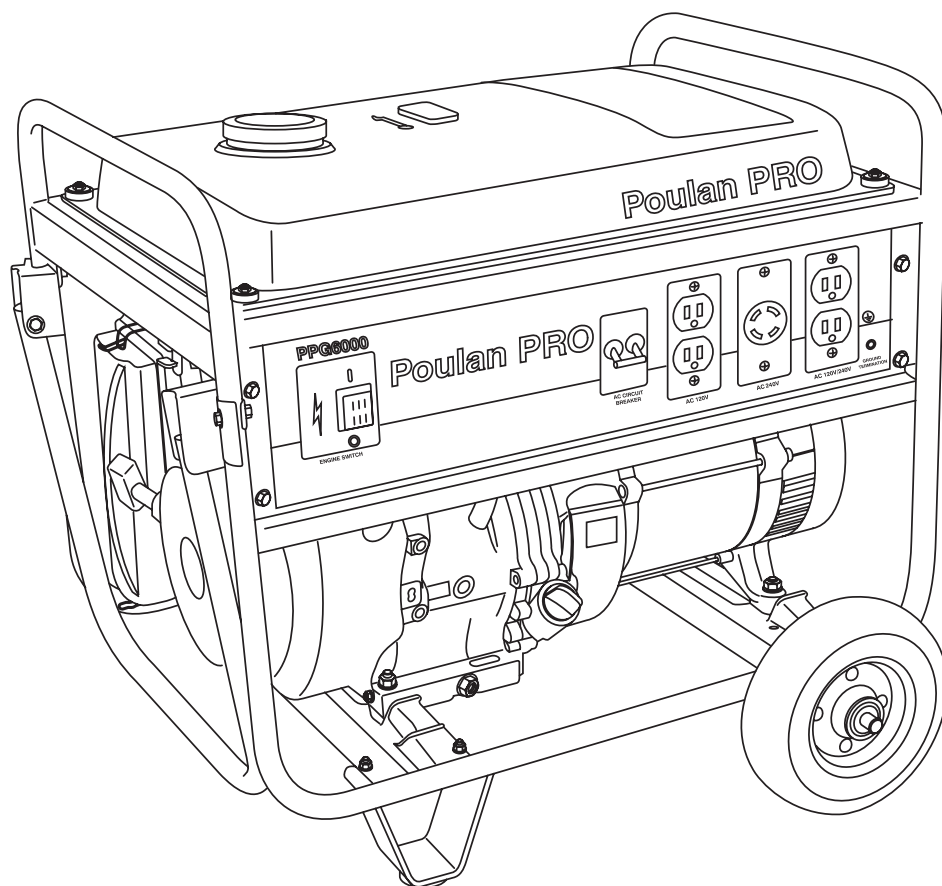


# Poulan PRO

*Portable Electric Generator*

**Owner's Manual**

**MODEL: PPG 6000**



**IMPORTANT** - Please make certain the person who uses this generator thoroughly reads these instructions and all other instructions provided to ensure proper safety, use, and care of your new portable electric generator.

---

# TABLE OF CONTENTS

---

INTRODUCTION .....	2
SAFETY RULES .....	3-4
SYMBOLS.....	5-7
FEATURES .....	8-9
ASSEMBLY .....	10-12
OPERATION .....	13-15
ELECTRICAL.....	16
MAINTENANCE .....	17-19
STORAGE.....	19
TROUBLESHOOTING .....	20
WIRING DIAGRAM .....	21
REPAIR PARTS .....	22-26
WARRANTY.....	27-29
PARTS ORDERING/SERVICING .....	BACK COVER

---

## INTRODUCTION

---

This product has many features for making its use more pleasant and enjoyable. Safety, performance, and dependability have been given top priority in the design of this product, making it easy to maintain and operate.

In the State of California, a spark arrester is required by law (Section 4442 of the California Public Resources Code). Other states may have similar laws. Federal laws apply on federal lands. The muffler is equipped with a spark arrester; it must be maintained in effective working order. Replacement spark arresters may be obtained by calling 1-866-237-1049.

### WARNING

The engine exhaust from this product contains chemicals known to the State of California to cause cancer, birth defects, or other reproductive harm.

### IMPORTANT!

FILL OUT ENCLOSED PRODUCT REGISTRATION CARD AND MAIL

# SAFETY RULES

## DANGER



Running generator gives off carbon monoxide, an odorless, colorless, poison gas.

Breathing carbon monoxide will cause nausea, fainting, or death.

- Operate generator **ONLY** outdoors.
- Keep clearance on all sides of generator for adequate ventilation.
- **DO NOT** operate generator inside any building or enclosure, including the generator compartment of a recreational vehicle (RV).

## DANGER



Failure to properly ground generator can result in electrocution, especially if the generator is equipped with a wheel kit.

- National Electric Code requires generator to be properly grounded to an approved earth ground. Call an electrician for local grounding requirements.

## DANGER



Generator produces powerful voltage.

Failure to isolate generator from power utility can result in death or injury to electric utility workers due to backfeed of electrical energy.

- When using generator for backup power, notify utility company. Use approved transfer equipment to isolate generator from electric utility.
- Use a ground fault circuit interrupter (GFCI) in any damp or highly conductive area, such as metal decking or steel work.
- **DO NOT** touch bare wires or receptacles.
- **DO NOT** use generator with electrical cords which are worn, frayed, bare, or otherwise damaged.
- **DO NOT** operate generator in the rain or other forms of precipitation.
- **DO NOT** handle generator or electrical cords while standing in water, while barefoot, or while hands or feet are wet.
- **DO NOT** allow unqualified persons or children to operate or service generator.

## WARNING

- This generator does not meet U. S. Coast Guard Regulation 33CFR-183 and should not be used on marine applications.
- Failure to use the appropriate U. S. Coast Guard approved generator could result in bodily injury and/or property damage.

## WARNING



Fuel and its vapors are extremely flammable and explosive.



Fire or explosion can cause severe burns or death.

### WHEN ADDING FUEL:

- Turn generator **OFF** and let it cool at least 2 minutes before removing gas cap. Loosen cap slowly to relieve pressure in tank.
- Fill fuel tank outdoors.
- **DO NOT** overfill tank. Allow space for fuel expansion.
- Keep fuel away from sparks, open flames, pilot lights, heat, and other ignition sources.
- **DO NOT** light a cigarette or smoke.

### WHEN OPERATING EQUIPMENT:

- **DO NOT** tip engine or equipment at angle which causes fuel to spill.
- This generator is not for use in mobile equipment or marine applications.

### WHEN TRANSPORTING OR REPAIRING EQUIPMENT:

- Transport/repair with fuel tank **EMPTY** or with fuel shutoff valve in the **OFF** position.
- Disconnect spark plug wire.

### WHEN STORING FUEL OR EQUIPMENT WITH FUEL IN TANK:

- Store away from furnaces, stoves, water heaters, clothes dryers, or other appliances that have pilot light or other ignition source because they can ignite fuel vapors.

# SAFETY RULES

## WARNING



Unintentional sparking can result in fire or electric shock.

### WHEN ADJUSTING OR MAKING REPAIRS TO YOUR GENERATOR

- Disconnect the spark plug wire from the spark plug and place the wire where it cannot contact spark plug.

## WARNING



Running engines produce heat. Temperature of muffler and nearby areas can reach or exceed 150°F (65°C).

Severe burns can occur on contact.

- DO NOT touch hot surfaces.
- Allow equipment to cool before touching.

## CAUTION

Excessively high operating speeds increase risk of injury and damage to generator.

Excessively low speeds impose a heavy load.

- DO NOT tamper with governed speed. Generator supplies correct rated frequency and voltage when running at governed speed.
- DO NOT modify generator in any way.

## CAUTION

Exceeding generator's wattage/amperage capacity can damage generator and/or electrical devices connected to it.

- See "Don't Overload Generator" on page 16.
- Start generator and let engine stabilize before connecting electrical loads.
- Connect electrical loads in OFF position, then turn ON for operation.
- Turn electrical loads OFF and disconnect from generator before stopping generator.













## CAUTION

Improper treatment of generator can damage it and shorten its life.

- Use generator only for intended uses.
- If you have questions about intended use, ask your dealer or contact customer service at 1-866-237-1049.
- Operate generator only on level surfaces.
- DO NOT expose generator to excessive moisture, dust, dirt, or corrosive vapors.
- DO NOT insert any objects through cooling slots.
- If connected devices overheat, turn them off and disconnect them from generator.
- Shut off generator if:
  - electrical output is lost;
  - equipment sparks, smokes, or emits flames;
  - unit vibrates excessively.




# SYMBOLS

Some of the following symbols may be used on this generator. Please study them and learn their meaning. Proper interpretation of these symbols will allow you to operate the generator better and safer.

SYMBOL	NAME	DESIGNATION/EXPLANATION
V	Volts	Voltage
A	Amperes	Current
Hz	Hertz	Frequency (cycles per second)
W	Watt	Power
min	Minutes	Time
~	Alternating Current	Type of current
≡	Direct Current	Type of current
$n_0$	No Load Speed	Rotational speed, at no load
	Wet Conditions Alert	Do not expose to rain or use in damp locations.
	Read The Operator's Manual	To reduce the risk of injury, user must read and understand operator's manual before using this product.
	Eye Protection	Always wear safety goggles or safety glasses with side shields and a full face shield when operating this product.
	Safety Alert	Precautions that involve your safety.
	Electrocution	Failure to properly ground generator can result in electrocution especially if the generator is equipped with a wheel kit.
	Electrical Shock	Generator produces powerful voltage. Failure to isolate generator from power utility can result in death or injury to electrical utility workers due to backfeed of electrical energy.
	Electrical Shock	Unintentional sparking can result in electric shock.
	Toxic Fumes	Running generator gives off carbon monoxide, an odorless colorless, poison gas. Breathing carbon monoxide can cause nausea, fainting, or death.
	Fire	Fuel and its vapors are extremely flammable. Fire can cause severe burns or death.
	Explosion	Fuel and its vapors are extremely explosive. Explosions can cause severe burns or death.
	Hot Surface	To reduce the risk of injury or damage, avoid contact with any hot surface.
	Ground	Consult with local electrician to determine grounding requirements before operation.

# SYMBOLS

The following signal words and meanings are intended to explain the levels of risk associated with this product.

SYMBOL	SIGNAL	MEANING
	<b>DANGER:</b>	Indicates an imminently hazardous situation which, if not avoided, <b>will</b> result in death or serious injury
	<b>WARNING:</b>	Indicates a potentially hazardous situation which, if not avoided, <b>could</b> result in death or serious injury
	<b>CAUTION:</b>	Indicates a potentially hazardous situation which, if not avoided, <b>may</b> result in minor or moderate injury
	<b>CAUTION:</b>	(Without Safety Alert Symbol) indicates a situation that may result in property damage

## SERVICE

Servicing requires extreme care and knowledge and should be performed only by a qualified service technician. For service we suggest you return the product to your nearest **AUTHORIZED SERVICE DEALER** for repair. When servicing, use only identical replacement parts.



### WARNING:

Observe all normal safety precautions related to avoiding electrical shock.



### DANGER:

To avoid death or serious personal injury, do not attempt to operate this product until you thoroughly read the owner's manual and understand it completely. Save this operator's manual and review frequently for continuing safe operation and instructing others who may use this product.



### WARNING:



The operation of any product can result in foreign objects being thrown into your eyes, which can result in severe eye damage. Before beginning operation, always wear safety goggles or safety glasses with side shields and full face shield when needed. We recommend Wide Vision Safety Mask for use over eyeglasses or standard safety glasses with side shields. Always wear eye protection which is marked to comply with ANSI Z87.1.

**SAVE THESE INSTRUCTIONS**

# SYMBOLS

## SAFETY LABELS

The following labels are found on the generator. For your safety, please study and understand all of the labels before starting the generator.

If any of the labels come off the unit or become hard to read, contact an authorized service center for replacement.

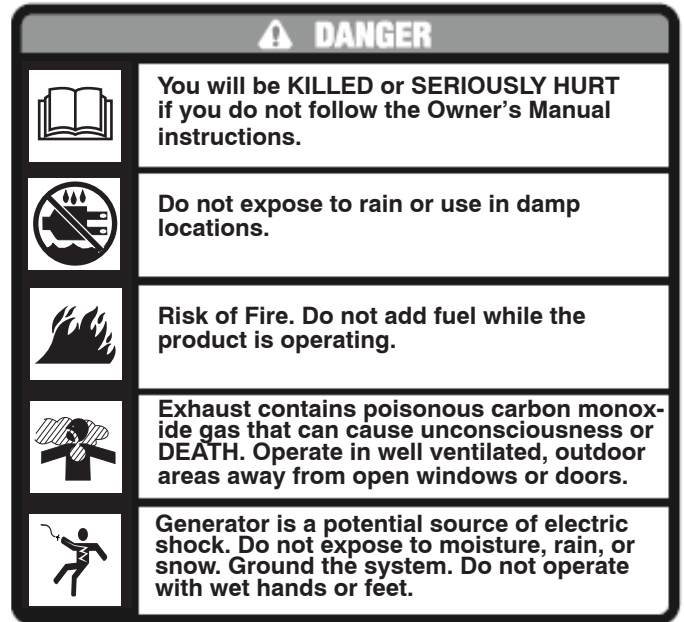
## FUEL WARNING

**DO NOT SMOKE** when filling with gasoline. Do not over fill. Full level is 1 inch below the top of the fuel neck. Stop the engine two minutes before refueling to avoid the heat from the muffler igniting fuel vapors.



## ENGINE OIL WARNING

You must add oil before the first operation of the generator. The oil reservoir capacity is 1.2 quarts. Always check the oil level before each operation. The oil level should always register on the dipstick.



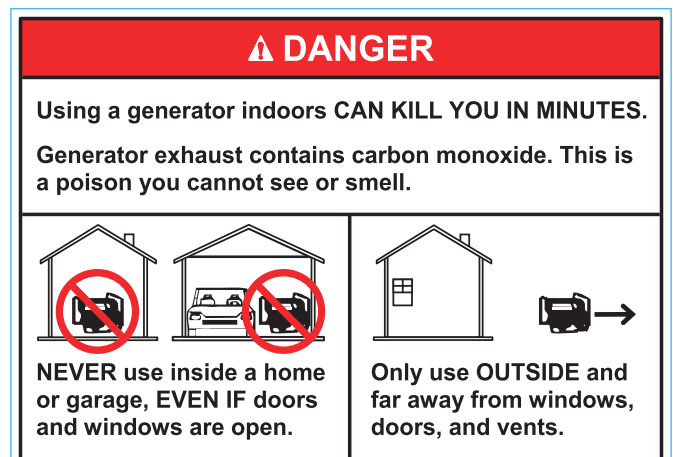
## HOT MUFFLER WARNING

Do not touch the muffler or aluminum cylinder of the engine. They are very HOT and will cause severe burns. Don't put any flammable or combustible materials in the direct path of the exhaust.



## VENTILATION WARNING

Do not use the generator in an enclosed area or near open windows, vents, or doors. Fumes from the unit can kill.



# FEATURES

## SPECIFICATIONS

### ENGINE

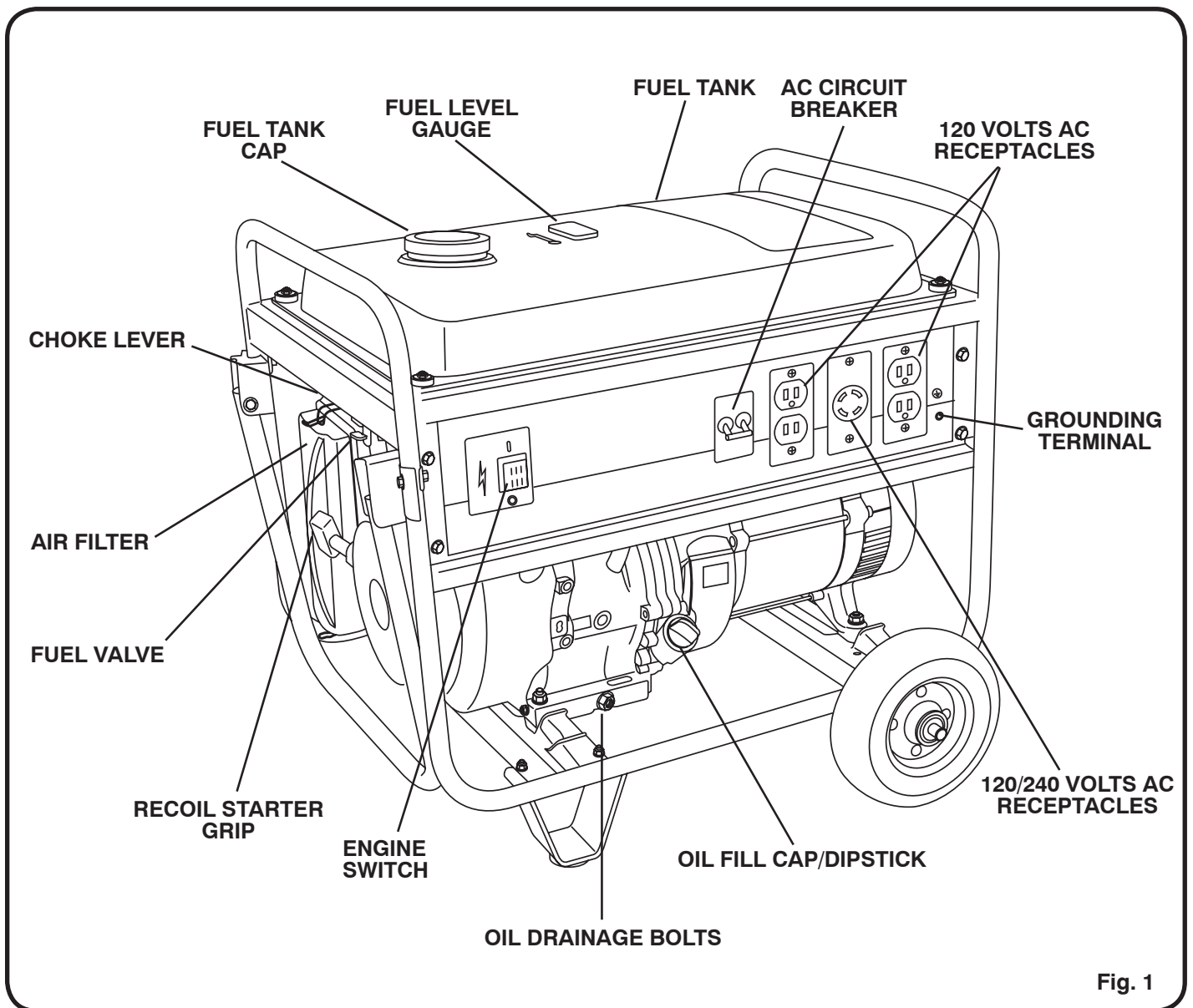
Engine Type.....4 Stroke, Overhead Valve  
Cylinder Discharge Capacity.....389 cc  
Bore x Stroke.....3.5 x 2.5 in.  
Cooling System.....Forced Air Cooling  
Ignition System.....Transistor Magnet Ignition  
Spark Plug.....NGK or BP6ES  
Spark Plug Gap.....0.28 - .031 in.  
Engine Oil Volume.....1.2 qt.  
Oil Type (API-SG-SL).....SAE 10W30  
Fuel Volume.....6.6 gal.  
Compression Ratio.....8.0:1

### GENERATOR

Rated Voltage.....120V/240V  
120V/240V Receptacle Plug Type.....L14-30  
Rated Frequency.....60 Hz  
Rated Maximum Continuous Load Current.....50/22.7 A  
Maximum Rated Watts.....6,200 W  
Continuous Wattage Capacity.....5,800 W

### DIMENSIONS

Length.....26.7 in.  
Width.....20 in.  
Height.....21.25 in.  
Dry Weight.....187 lbs.





---

# FEATURES

---

## **KNOW YOUR GENERATOR**

See Figure 1.

Before attempting to use this product, familiarize yourself with all operating features and safety rules.

## **GROUNDING TERMINAL**

The grounding terminal is used to assist in properly grounding the generator to help protect against electrical shock. Consult with a local electrician for grounding requirements in your area.

## **RECEPTACLES**

Your generator has the following single phase, 60 Hz outlets: four 120 Volt AC, 20 Amp, and one 120 Volt/240 Volt AC, 30 Amp. The receptacles can be used for operating appropriate appliances, electrical lighting, tools, and motor loads.

## **AC CIRCUIT BREAKER**

The circuit breaker is provided to protect the generator against electrical overload and can be used to turn the generator's power on or off.

## **ENGINE SWITCH**

The engine switch is used in combination with the recoil starter grip to start the generator. It is also used to turn the generator off.

## **OIL FILL CAP/DIPSTICK**

Remove the oil cap to check and add oil to the generator when necessary.

## **RECOIL STARTER GRIP**

The recoil starter grip is used (along with the engine switch) to start the generator's engine.

## **FUEL VALVE**

The flow of fuel through the generator is controlled by the position of the fuel valve.

## **AIR FILTER**

The air filter helps to limit the amount of dirt and dust drawn into the unit during operation.

## **CHOKE LEVER**

Use the choke lever for starting a cold engine.

## **OIL DRAINAGE BOLT**

When changing the engine oil, the oil drainage bolt is loosened to allow old engine oil to be drained.

## **FUEL LEVEL GAUGE**

Consult the fuel level gauge to determine the amount of fuel remaining in the generator.

## **FUEL TANK**

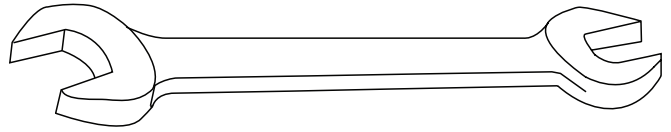
The fuel tank has a capacity of 6.6 gallons.

# ASSEMBLY

The following tools are required for assembly:



10 mm BOX-END WRENCH



12 mm OPEN-END WRENCH

Fig. 2

# UNASSEMBLED PARTS

The following assembly hardware items are included with the generator. (See Figure 3.)

- Wheel Assembly.....1
- Handle Assembly.....1
- Foot Assembly.....1

13 6	← ITEM NUMBER
	← QUANTITY

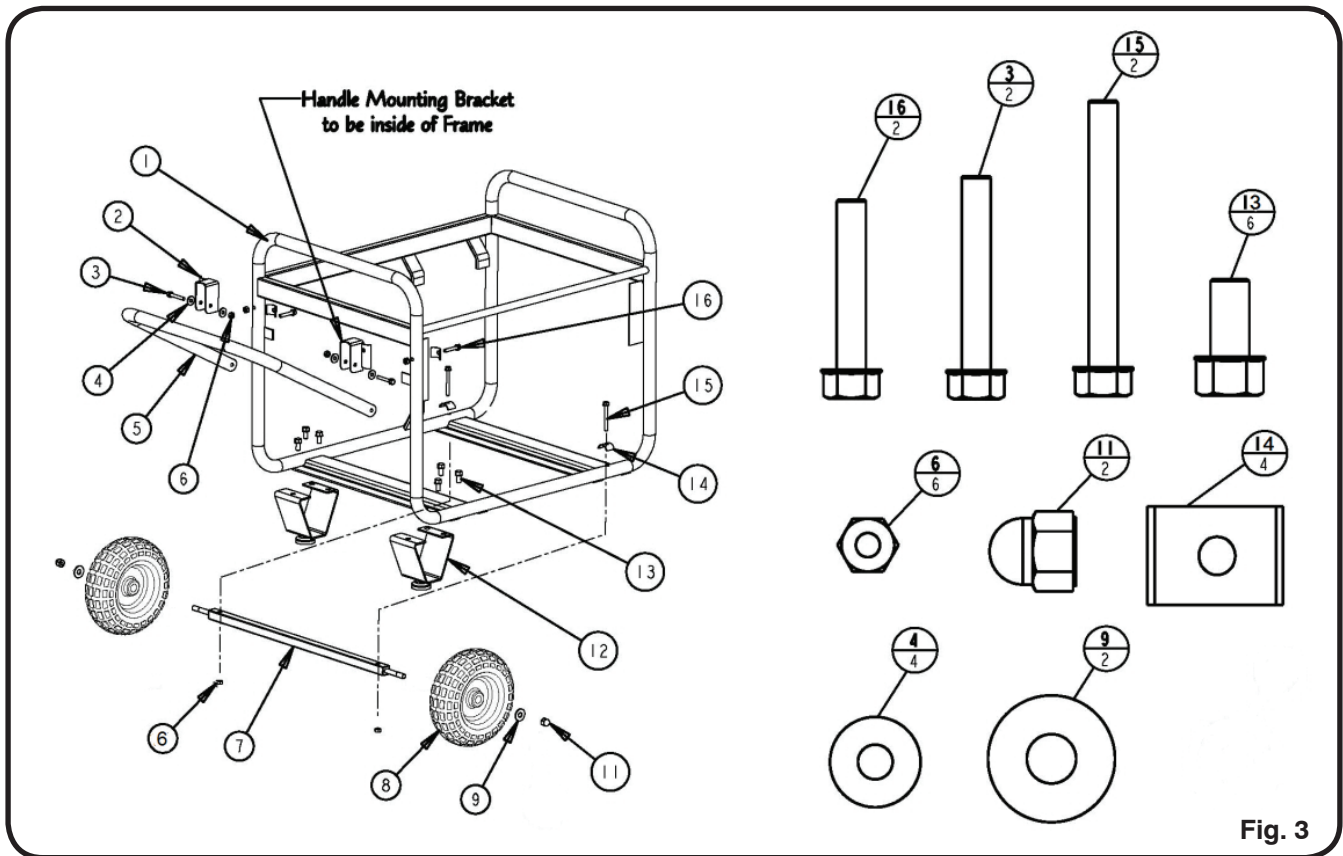


Fig. 3

# ASSEMBLY

## INSTRUCTIONS

This product requires assembly.

- Carefully remove the generator and any accessories from the box.

**NOTE:** The generator is heavy. To avoid back injury, lift with your legs, not your back, and get help when needed.

- Make sure that all items listed in the unassembled parts list are included. (See Figure 3.)
- Inspect the generator carefully to make sure no breakage or damage occurred during shipping.
- Do not discard the packing material until you have carefully inspected and satisfactorily operated the generator.
- If any parts are damaged or missing, please call 1-866-237-1049 for assistance.

## PACKING LIST

Generator  
Wheel Assembly  
Handle Assembly  
Foot Assembly  
Container of Oil  
Warranty Card  
Owner's Manual

## INSTALLING HANDLE ASSEMBLY

See Figure 4.

- Locate the following items:
  - Handle (5)
  - Left and right handle brackets (2)
  - 4 bolts (3)
  - 4 square curved washers (14)
  - 4 nuts (6)
  - 4 flat washers (4)
- Align left handle bracket with hole in left side of generator frame. Insert bolt through handle bracket and frame. Slide curved washer on end of bolt, making sure the cupped side of washer faces the frame. Assemble nut; finger tighten. \_
- Repeat above step with right handle bracket.
- Put one side of handle inside left handle bracket. Slide washer over bolt, then insert bolt through the bracket handle and bracket. Push bolt through so that it exits on the other side of the handle, then add another washer and the nut. Finger tighten.
- Repeat above step with other side of the handle and the right handle bracket.
- Return to the first bolt installed. While holding bolt head steady with 10 mm box-end wrench, use 12 mm open-end wrench to tighten snugly. (See Figure 2.) Repeat with remaining bolts.



### WARNING:

If any parts are missing, do not operate this generator until the missing parts are replaced. Failure to do so could result in possible serious personal injury.



### WARNING:

Do not attempt to modify this generator or create accessories not recommended for use with this generator. Any such alteration or modification is misuse and could result in a hazardous condition leading to possible serious personal injury.



### WARNING:

Do not attempt to operate the generator until assembly is complete. Failure to comply could result in possible serious personal injury.



### WARNING:

Do not attempt to lift the unit by the handle assembly. If it is necessary to lift the generator, always grasp by the frame. Use proper lifting techniques to avoid back injury.

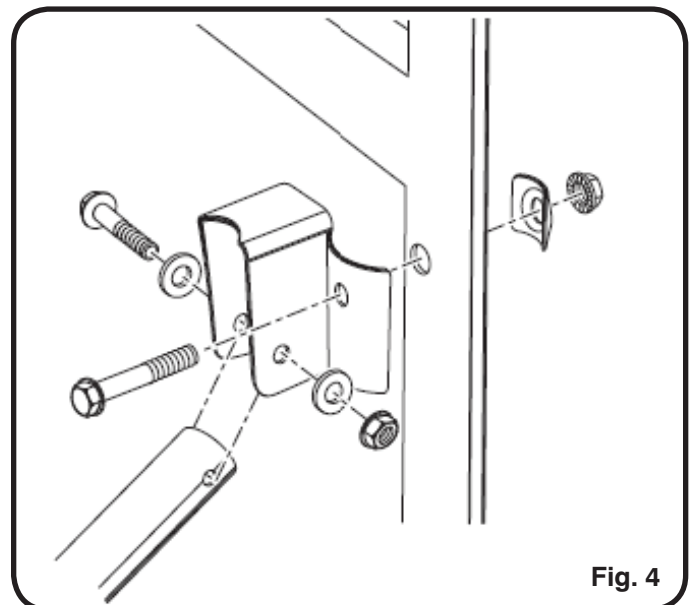


Fig. 4

# ASSEMBLY

## INSTALLING WHEEL ASSEMBLY

See Figure 5.

- Locate the following items:
  - 2 wheels
  - 2 square curved washers (14)
  - 2 flat washers (4)
  - 2 hex nuts (11)
  - 2 nuts (6)
- Slide wheel over axle extension.
- Slide flat washer on axle extension.
- Install hex nut on axle extension and tighten to secure.
- Repeat for second wheel.

**NOTE:** Block up frame securely with wood blocks to provide clearance for frame bolts & wheel assembly.

- Slide square curved washer, curved side down, on bolt.
- Place on frame and slide bolt through frame hole.
- Repeat for second bolt.
- Lift axle and align hole with installed frame bolts.
- Install nuts on 2 bolts and tighten to secure

## INSTALLING FOOT ASSEMBLY

See Figure 6.

- Locate the following items:
  - 2 foot supports (12)
  - 6 bolts (13)

**NOTE:** Block up frame securely with wood blocks to provide clearance for foot support assembly.

- Align foot support with 3 holes in frame cross member.
- Insert 3 bolts into welded nuts on foot support.
- Tighten bolts to secure
- Repeat for second foot.

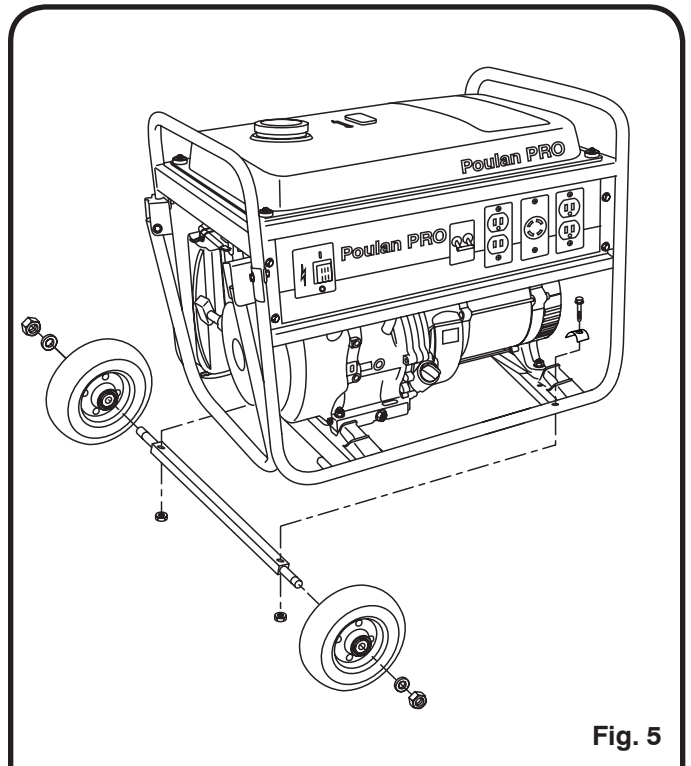


Fig. 5

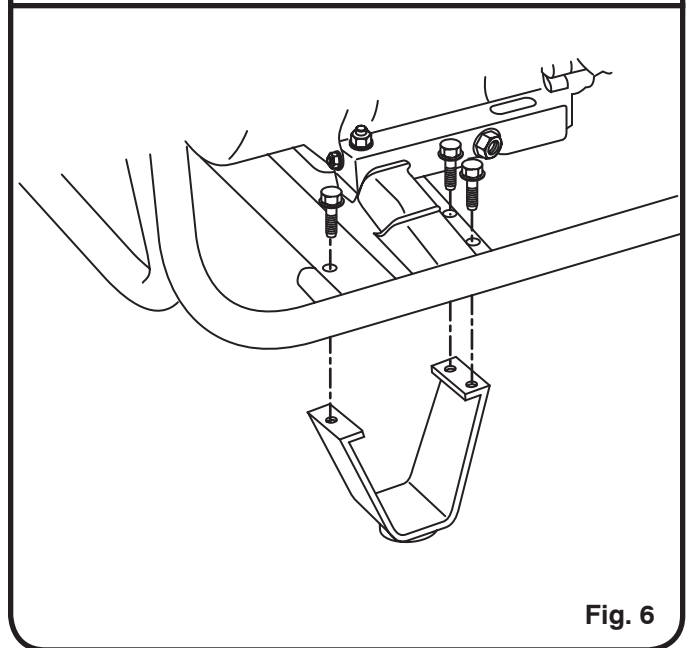


Fig. 6

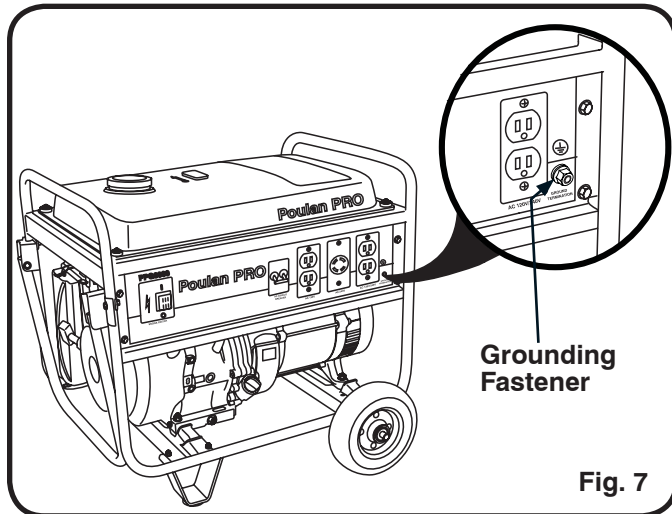
---

# OPERATION

---

## GROUNDING THE GENERATOR

The National Electrical Code requires that the frame and external electrically conductive parts of this generator be properly connected to an approved earth ground. Local electrical codes may also require proper grounding of the unit. For that purpose, a GROUNDING FASTENER is provided on the generator end (Figure 7).



Generally, connecting a No. 12 AWG (American Wire Gauge) stranded copper wire to the grounding fastener and to an earth-driven copper or brass grounding rod (electrode) provides adequate protection against electrical shock. Be careful to keep the grounding wire attached after connecting the stranded copper wire. However, local codes may vary widely.



### **WARNING:**

Consult with a local electrician for grounding requirements in your area.

Properly grounding the generator helps prevent electrical shock if a ground fault condition exists in the generator or in connected electrical devices, especially when the unit is equipped with a wheel kit. Proper grounding also helps dissipate static electricity, which often builds up in ungrounded devices.

# OPERATION



## DANGER:

Failure to properly ground generator can result in electrocution, especially if the generator is equipped with a wheel kit. National Electric Code requires generator to be properly grounded to an approved earth ground. Call an electrician for local grounding requirements



## WARNING:

Do not use any attachments or accessories not recommended by the manufacturer of this generator. The use of attachments or accessories not recommended can result in serious personal injury.

## APPLICATIONS

This generator is designed to supply electrical power for operating compatible electrical lighting, appliances, tools, and motor loads.

## BEFORE OPERATING THE UNIT

Position the generator on a flat surface before checking fluid levels or adding fluid.

## CAUTION:

Attempting to start the engine before it has been properly filled with oil will result in equipment failure.

## CHECKING/ADDING OIL

See Figure 8.

Engine oil has a major influence on engine performance and service life. For general, all-temperature use, SAE 10W-30 is recommended. Always use a 4-stroke motor oil that meets or exceeds the requirements for API service classification SJ.

**NOTE:** Non-detergent or 2-stroke engine oils will damage the engine and should not be used.

- Unscrew the oil dipstick and remove.
- Wipe dipstick clean and reseat in hole. Do not rethread
- Remove dipstick again and check oil level. Oil level should fall within the hatched area on the dipstick.
- If level is low, add engine oil until the fluid level rises to the upper portion of the hatched area on the dipstick.
- Replace and secure the dipstick.

## CHECKING/ADDING FUEL

See Figure 9.

- Check the fuel level gauge. If fuel is needed, continue with the next step.
- Remove the fuel tank cap.
- Fill the fuel tank to 1 in. below the tip of the fuel neck.
- Replace and secure the fuel tank cap.

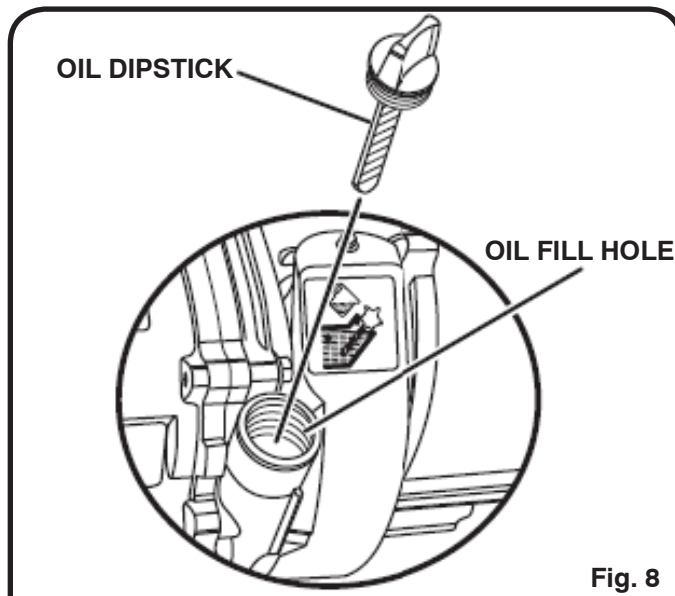


Fig. 8

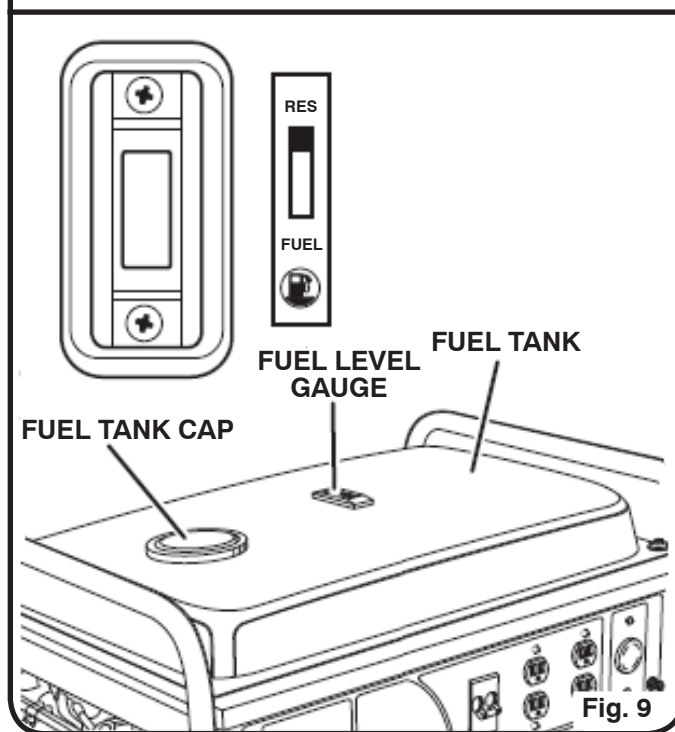


Fig. 9

**NOTE:** Always use unleaded gasoline with a pump octane rating of 86 or higher. Never use old, stale, or contaminated gasoline, and do not use an oil/gas mixture. Do not allow dirt or water to enter the fuel tank.

## OXYGENATED FUELS

Some conventional gasolines are blended with alcohol or an ether compound. These gasolines are collectively referred to as oxygenated fuels. To meet clean air standards, some areas of the United States use oxygenated fuels to help reduce emissions.



# OPERATION

If using an oxygenated fuel, make sure it is unleaded and meets the minimum octane rating requirements. Before using an oxygenated fuel, try to confirm the fuel's contents. Some states/provinces require this information to be posted on the pump. The following are the EPA approved percentages of oxygenates:

**Ethanol (ethyl or grain alcohol) 10% by volume.** You may use gasoline containing up to 10% ethanol by volume. Gasoline containing ethanol may be marketed under the name "Gasohol."

**MTBE (methyl tertiary butyl ether) 15% by volume.** You may use gasoline containing up to 15% MTBE by volume.

**Methanol (methyl or wood alcohol) 5% by volume.** You may use gasoline containing up to 5% methanol by volume as long as it also contains cosolvents and corrosion inhibitors to protect the fuel system. Gasoline containing more than 5% methanol by volume may cause starting and/or performance problems. It may also damage metal, rubber, and plastic parts of the generator or your fuel system.

If you notice any undesirable operating symptoms, try another service station or switch to another brand of gasoline.

**NOTE:** Fuel system damage or performance problems resulting from the use of an oxygenated fuel containing more than the percentages of oxygenates mentioned above are not covered under warranty.



## WARNING:

On a level surface with the engine off, check the oil level before each use of the generator.

## STARTING THE ENGINE

See Figures 10 - 12.

**NOTE:** If location of generator is not level, the unit may not start or may shut down during operation.

- Unplug all loads from the generator.
- Switch the circuit breaker to the ON position.
- Turn the fuel valve to the ON position.
- Move the choke lever to the ON (closed) position.

**NOTE:** When starting a warm engine, leave the choke in the OFF (open) position.

- Put the engine switch in the ON position.
- Pull the recoil starting grip lightly until you feel a resistance, then pull it briskly.

**NOTE:** Do not allow the grip to snap back after starting; return it gently to its original place.

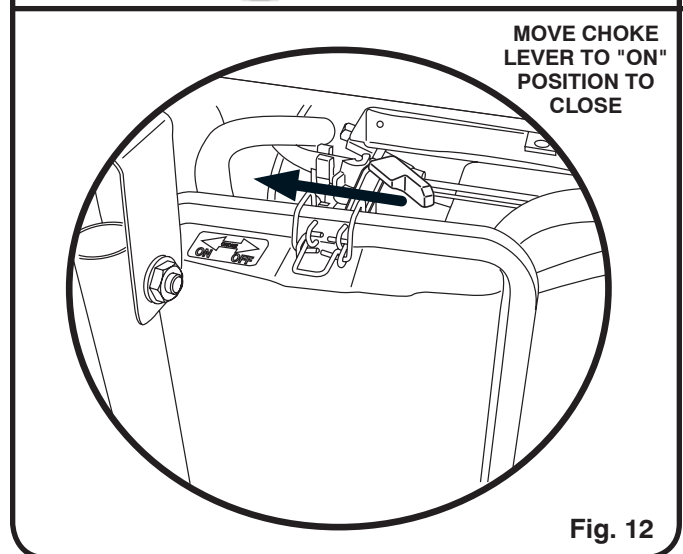
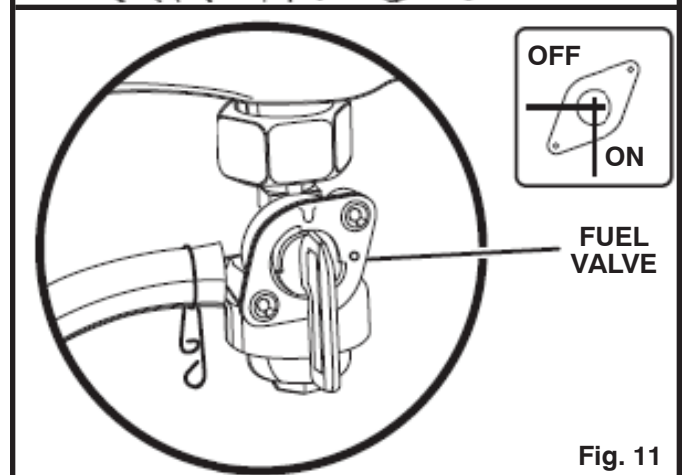
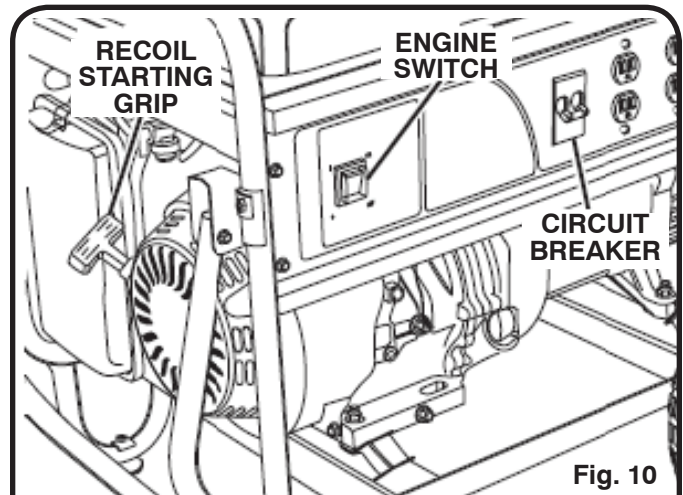
- As the engine warms, slowly move the choke lever to the OFF position.

## STOPPING THE ENGINE

See Figures 10 - 12.

To stop the engine under normal operating conditions:

- Remove any load from the generator.



- Switch the AC circuit breaker to the OFF position.
- Put the engine switch in the OFF position.
- Turn the fuel valve to the OFF position.

To stop the engine in an emergency situation:

- Put the engine switch in the OFF position.

# ELECTRICAL

## DON'T OVERLOAD GENERATOR

### CAPACITY

Make sure the generator can supply enough rated (running) and surge (starting) watts for the items you will power at the same time. Follow these simple steps:

1. Select the items you will power at the same time.
2. Total the rated (running) watts of these items. This is the amount of power the generator must produce to keep the items running. See the wattage reference chart at the right.
3. Estimate how many surge (starting) watts you will need. Surge wattage is the short burst of power needed to start electric motor-driven tools or appliances such as a circular saw or refrigerator. Because not all motors start at the same time, total surge watts can be estimated by adding only the item(s) with the highest additional surge watts to the total rated watts from step 2.

### Example:

Tool or Appliance	Rated (Running) Watts	Surge (Starting) Watts
Window Air Conditioner	1200	1800
Refrigerator	800	1600
Deep Freezer	500	500
Television	500	-
Light (75 Watts)	75	-
	3075 Total Running Watts	1800 Highest Surge Watts

		Maximum Allowed
Total Rated (Running Watts)	= 3075	5800
Highest Additional Surge Watts	= 1800	
Total Generator Output Required	= 4875	6200

### POWER MANAGEMENT

To prolong the life of the generator and attached devices, it is important to take care when adding electrical loads to the generator. There should be nothing connected to the generator outlets before starting the engine. The correct and safe way to manage generator power is to sequentially add loads as follows:

1. With nothing connected to the generator, start the engine as described earlier in this manual.
2. Plug in and turn on the first load, preferably the largest load you have.
3. Permit the generator output to stabilize. (engine runs smoothly and attached device operates properly.)
4. Plug in and turn on the next load.
5. Again, permit the generator to stabilize.
6. Repeat steps 4 and 5 for each additional load.

Never add more loads than the generator capacity. Take special care to consider surge loads in generator capacity as previously described.



### WARNING:

Do not overload generator's capacity. Exceeding generator's wattage/amperage capacity can damage generator and/or electrical devices connected to it.

Tool or Appliance	Rated* (Running) Watts	Additional Surge (Starting) Watts
<b>Essentials</b>		
Light Bulb-75 Watt	75	-
Deep Freezer	500	500
Sump Pump	800	1200
Refrigerator/Freezer - 18 Cu. Ft.	800	1600
Water Well Pump - 1/3 HP	100	2000
<b>Heating/Cooling</b>		
Window AC - 10,000 BTU	1200	1800
Window Fan	300	600
Furnace Fan Blower - 1/2 HP	800	1300
<b>Kitchen</b>		
Microwave Oven - 1000 Watt	1000	-
Coffee Maker	1500	-
Electric Stove - Single Element	1500	-
Hot Plate	2500	-
<b>Family Room</b>		
DVD/CD Player	100	-
VCR	100	-
Stereo Receiver	450	-
Color Television - 27"	500	-
Personal Computer w/17" monitor	800	-
<b>Other</b>		
Security System	180	-
AM/FM Clock Radio	300	-
Garage Door Opener - 1/2 HP	480	520
Electric Water Heater - 40 Gal.	4000	-
<b>DIY/Job Site</b>		
Quartz Halogen Work Light	1000	-
Airless Sprayer - 1/3 HP	600	1200
Reciprocating Saw	960	960
Electric Drill - 1/2 HP	1000	1000
Circular Saw - 7-1/4"	1500	1500
Miter Saw - 10"	1800	1800
Planer/Joiner - 6"	1800	1800
Table Saw/Radial Arm Saw - 10"	200	2000
Air Compressor - 1-1/2 HP	2500	2500

\*Wattages listed are approximate. Check tool or appliance for actual wattage.



# MAINTENANCE



## WARNING:

When servicing, use only identical Poulan Pro replacement parts. Use of any other parts may create a hazard or cause product damage.

Only the parts shown on the parts list are intended to be repaired or replaced by the customer. All other parts should be replaced at a Poulan Pro Authorized Service Center.

## GENERAL MAINTENANCE

Keep the generator in a clean and dry environment where it is not exposed to dust, dirt, moisture, or corrosive vapors. Do not allow the cooling air slots in the generator to become clogged with foreign material such as leaves, snow, etc.

Do not use a garden hose to clean the generator. Water entering the fuel system or other internal parts of the unit can cause problems that will decrease the life of the generator.

To clean the unit:

- Use a soft bristle brush and/or vacuum cleaner to loosen and remove dirt and debris.
- Clean air vents with low pressure air that does not exceed 25 psi.
- Wipe the exterior surfaces of the generator with a damp cloth.

## CLEANING/REPLACING AIR FILTERS

See Figure 13.

For proper performance and long life, keep air filters clean:

- Release the upper and lower retaining clips and remove the air filter cover.
- Remove the outer filter element and the inner precleaner element.
- If the filter elements are dirty, clean with warm, soapy water. Rinse and let dry.
- Apply a light coat of engine oil to the elements, then squeeze it out.
- Put the filter elements back together and replace in the air filter compartment, being careful to place the outer filter element closest to the air filter cover.
- Replace the cover and snap retaining clips back in place to secure.

**NOTE:** Do not run the generator without the air filters. Rapid engine wear will result.

## CHANGING ENGINE OIL

See Figure 14

- Remove the oil dipstick.
- Place a container underneath the oil drainage bolt to collect used oil as it drains.
- Unscrew the oil drainage bolt and remove.
- Allow oil to drain completely.

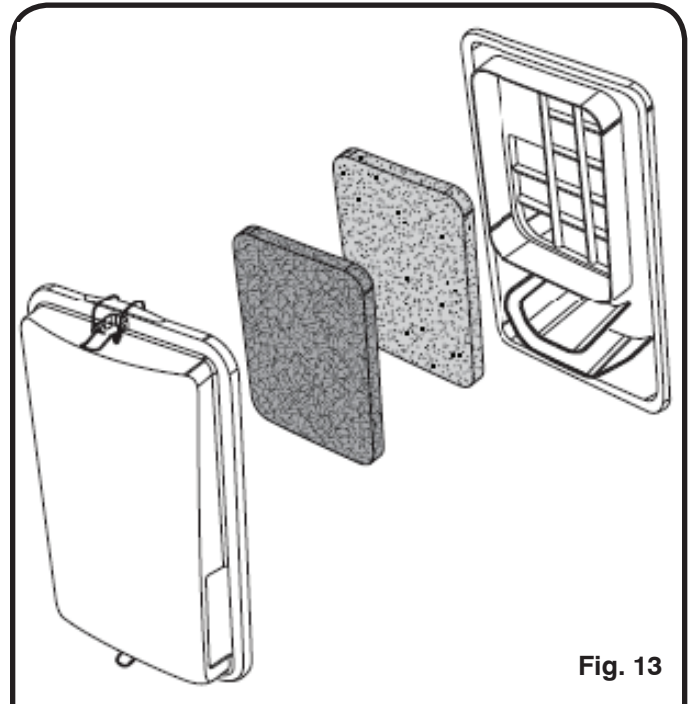


Fig. 13

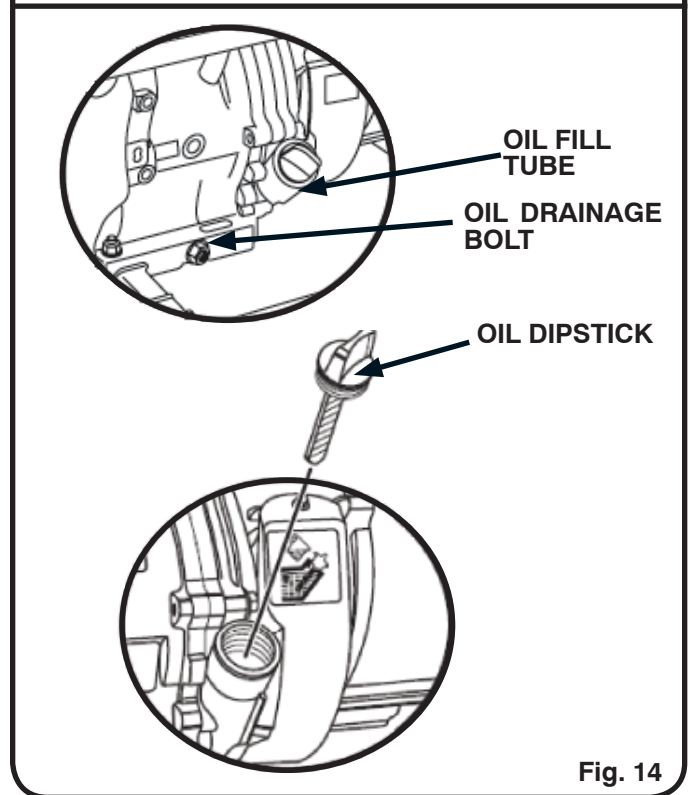


Fig. 14

- Reinstall the oil drainage bolt and tighten securely.
- Refill with oil following the instructions in the "Checking/Adding Oil" section on page 14.

**NOTE:** Disposal of used oil should be at an approved disposal site. See your local oil retailer for more information.

# MAINTENANCE

## CLEANING FUEL SEDIMENT CUP

See Figure 15.

The sediment cup prevents dirt and water that may have gotten into the fuel tank from entering the carburetor. If the engine has not been run for a long time, the sediment cup should be cleaned before use.

- Turn the fuel valve to the off position.
- Remove the sediment cup using a 10 mm wrench.
- Remove the o-ring and filter.
- Clean each of the parts in a high flash-point solvent.
- Reinstall the filter, o-ring, and sediment cup. Tighten with 10 mm wrench to secure.
- Return the fuel valve to the ON position and check for leaks.

## SPARK PLUG MAINTENANCE

See Figure 16.

The spark plug must be properly gapped and free of deposits in order to ensure proper engine operation.

To check the spark plug:

- Remove the spark plug cap.
- Clean any dirt from around the base of the spark plug.
- Remove the spark plug.
- Inspect the spark plug for damage, and clean with a wire brush before reinstalling. If the insulator is cracked or chipped, the spark plug should be replaced.

**NOTE:** If replacing, use the following recommended spark plugs or equivalent: NGK, BP6ES.

- Measure the plug gap with a feeler gauge. The correct gap is .028 - .031 in. Correct, if necessary, by carefully bending the side electrode.
- Seat spark plug in position; thread in by hand to prevent cross-threading.
- Tighten with spark plug wrench to compress washer. If spark plug is new, use 1/2 turn to compress washer appropriate amount. If reusing old spark plug, use 1/8 to 1/4 turn for proper washer compression.

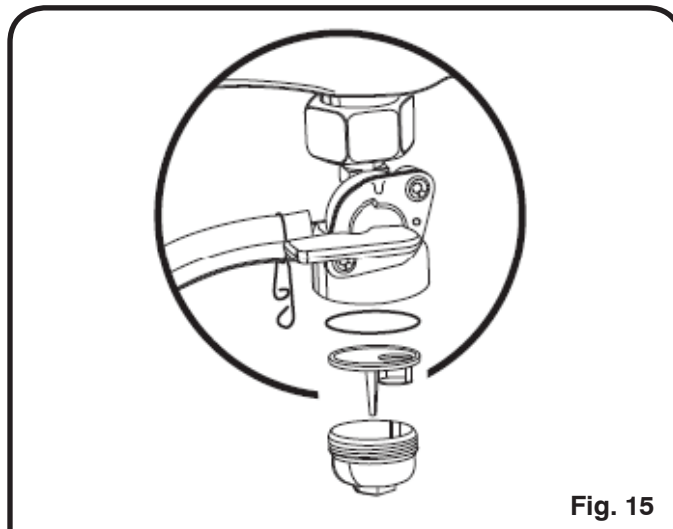


Fig. 15

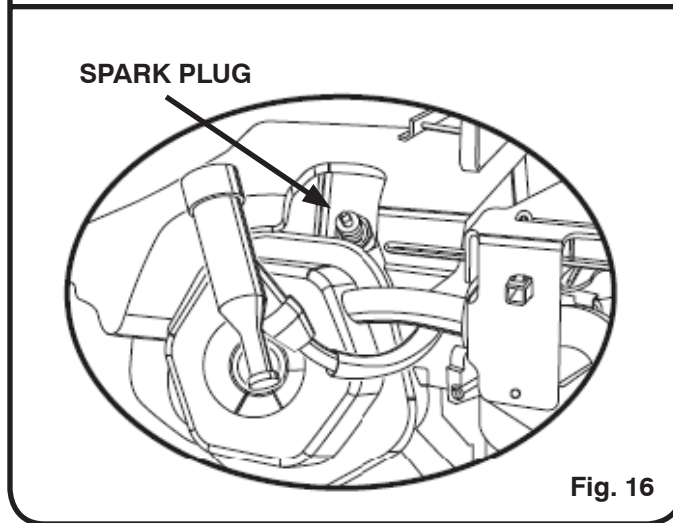


Fig. 16

## MAINTENANCE SCHEDULE

	Before operating each time	After 25 hours of operation	After 100 hours of operation or annually
Check Engine Oil	■		
Change Engine Oil		■	■
Check Air Filters	■		
Replace Air Filters		■	
Clean Fuel Sediment Cup			■
Replace Spark Plug		■	■
Clean or Replace Spark Arrester		■	■

# MAINTENANCE

## CLEANING SPARK ARRESTER

See Figure 17.

- Remove the eight 5 mm screws from the muffler protector, then remove muffler protector.
- Remove the 4 mm screw from the spark arrester and remove the spark arrester.
- Use a brush to remove carbon deposits from the spark arrester screen.
- Inspect the spark arrester for breaks or holes. Replace if necessary.
- Reinstall the spark arrester and muffler protector.

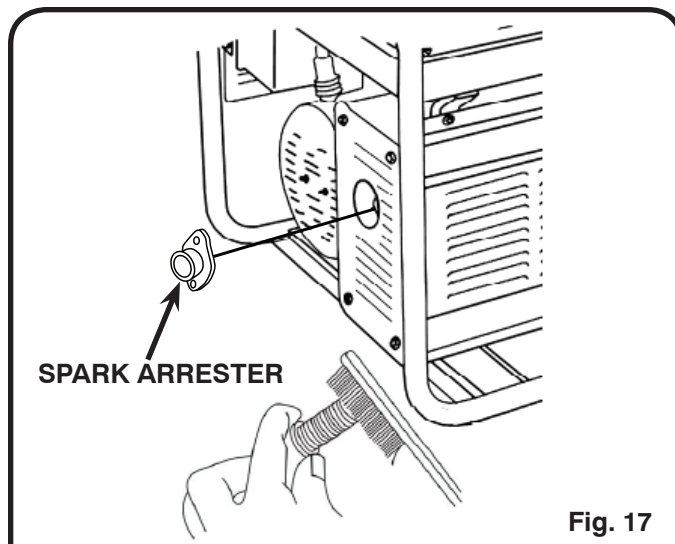


Fig. 17

## DRAINING CARBURETOR

See Figure 18.

- Loosen the carburetor drain screw.
- Allow gasoline to drain completely into suitable container.
- Retighten drain screw.

## TRANSPORTING

- Turn the engine switch and fuel valve OFF.
- Make sure engine and exhaust system of unit is cool.
- Keep the unit level to prevent fuel spillage.
- Do not drop or strike the unit or place under heavy objects.

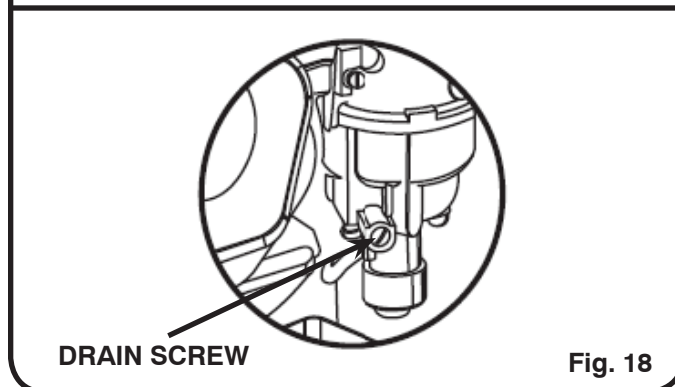


Fig. 18

# STORAGE

## STORAGE

When preparing the generator for storage, follow the guidelines below.

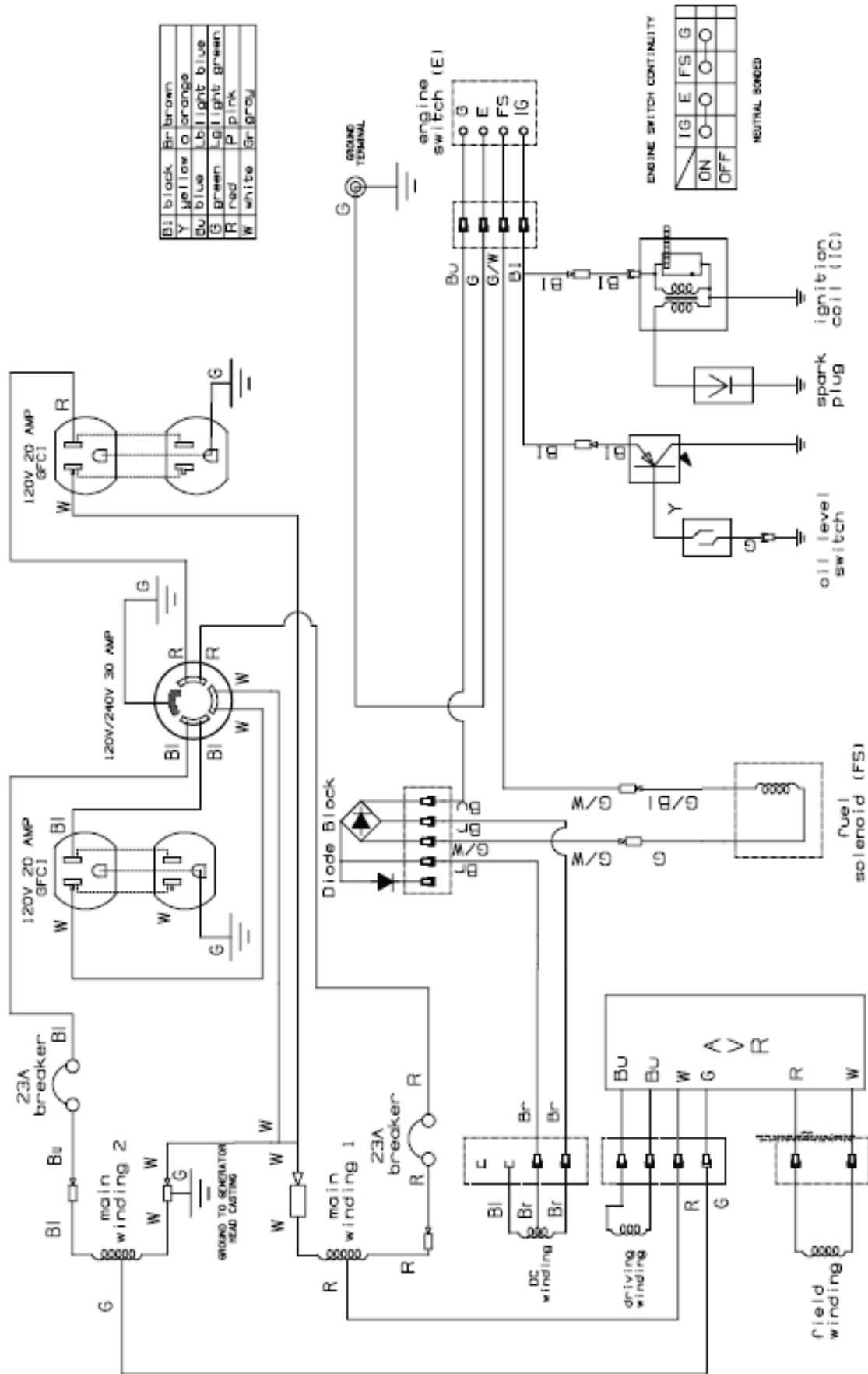
STORAGE TIME	PRIOR TO STORING
Less than 1 month	<ul style="list-style-type: none"> <li>■ No special preparation is required.</li> </ul>
1 to 2 months	<ul style="list-style-type: none"> <li>■ Fill with fresh gasoline and add a gasoline conditioner*.</li> </ul>
2 months to 1 year	<ul style="list-style-type: none"> <li>■ Fill with fresh gasoline and add a gasoline conditioner*.</li> <li>■ Drain fuel from carburetor.</li> <li>■ Clean fuel sediment cup.</li> </ul>
1 year or more	<ul style="list-style-type: none"> <li>■ Drain fuel tank.</li> <li>■ Drain fuel from the carburetor.</li> <li>■ Clean fuel sediment cup.</li> <li>■ Remove spark plug.</li> <li>■ Put a tablespoon of engine oil into the spark plug cylinder. Turn the engine slowly with the pull rope to distribute the oil.</li> <li>■ Reinstall spark plug.</li> <li>■ Change engine oil.</li> </ul> <p>After removal from storage:</p> <ul style="list-style-type: none"> <li>■ Fill with fresh gasoline.</li> </ul>

\*Use gasoline conditioners formulated to extend storage life. For recommendations, contact your nearest authorized service center.

# TROUBLESHOOTING

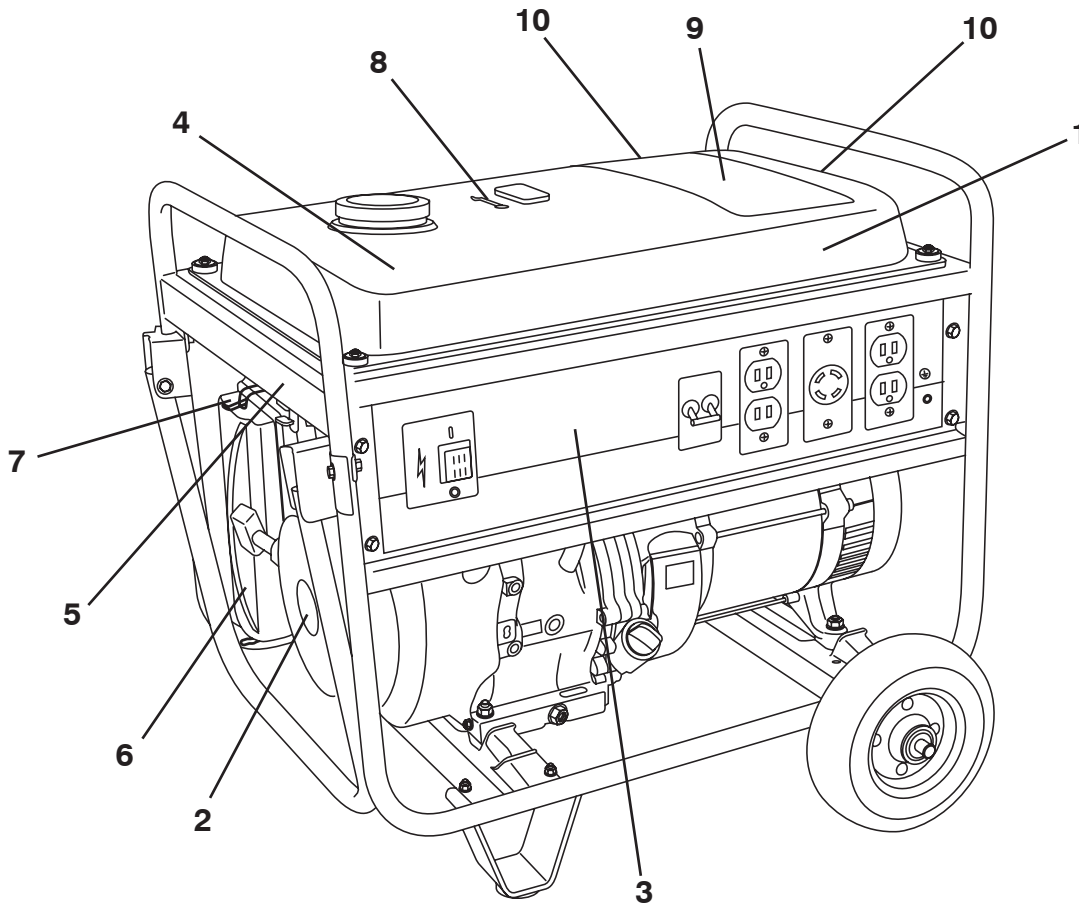
PROBLEM	POSSIBLE CAUSE	SOLUTION
Engine will not start	Engine switch is OFF	Turn engine switch to ON.
	No fuel	Fill fuel tank.
	Oil level is low	Check engine oil level and fill, if necessary
	Check spark plug condition	Replace spark plug.
	Fuel is not reaching carburetor	Clean fuel sediment cup.
	Fuel valve is in OFF position	Move fuel valve to ON position
AC receptacle does not work	Circuit breaker is OFF	Turn ON the AC circuit breaker.
	Item plugged in is defective	Try a different item.
Generator makes a "spark knock" or "pinging" noise	An occasional light "knocking" or "pinging" under heavy load is not a cause for concern. However, if the knocking or pinging occurs under normal load at a steady engine speed, the problem may be with the brand of gasoline being used.	Switch to a different brand of gasoline, making sure that the octane rating is 86 or higher. If problem continues, contact your nearest authorized service center.
If problem persists after trying the above solutions, please call 1-866-237-1049 for your nearest authorized service center.		

# PORTABLE ELECTRIC GENERATOR- -MODEL NO. PPG6000 WIRING DIAGRAM



# PORTABLE ELECTRIC GENERATOR- -MODEL NO. PPG6000

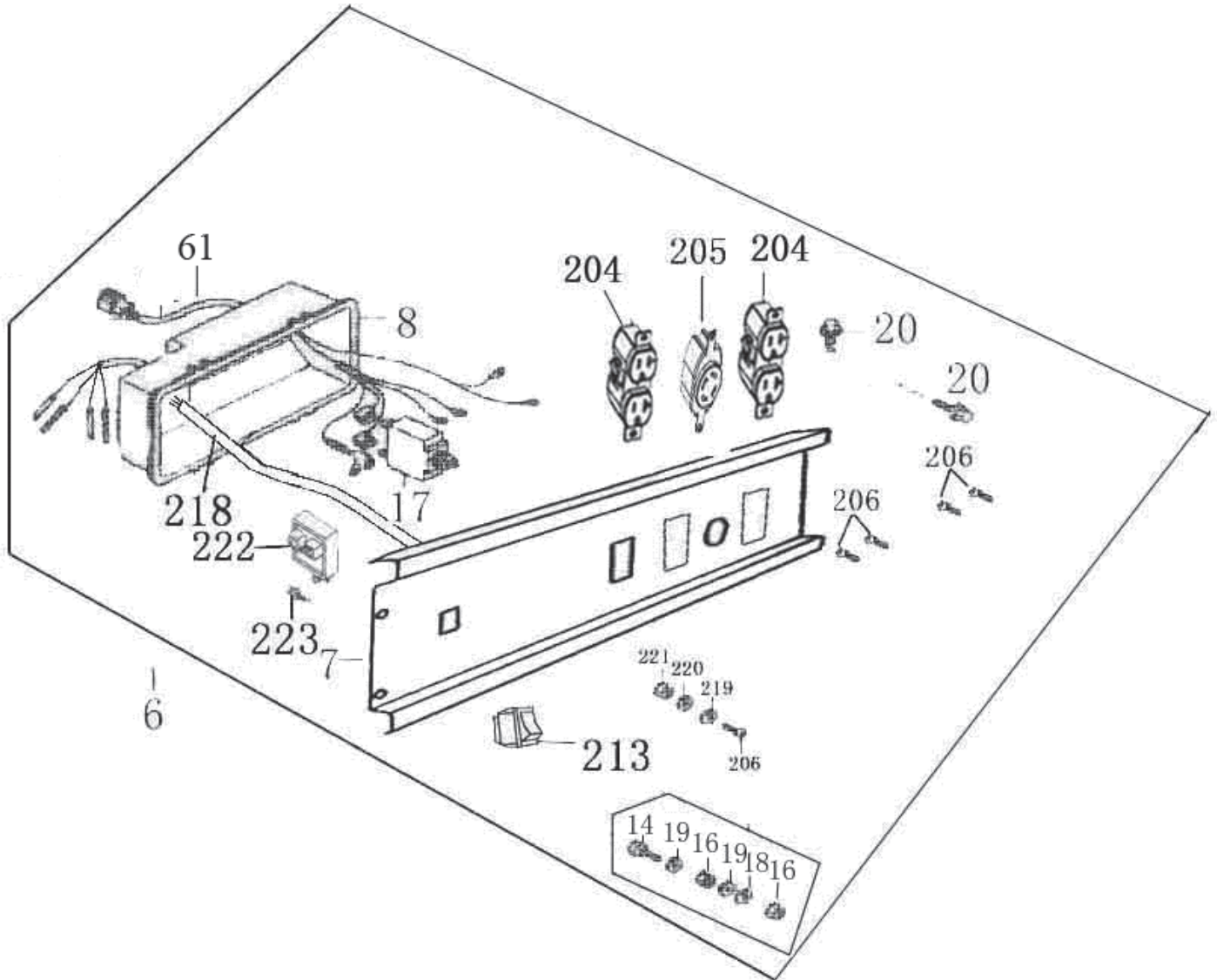
## DECALS



KEY NO.	PART NO.	DESCRIPTION
1	419397	Decal, Logo
2	419938	Decal, Rewind Cover
3	419939	Decal, Control Panel
4	420413	Decal, Danger Label
5	420820	Decal, Fuel Valve
6	420821	Decal, Air Filter Maintenance
7	420822	Decal, Choke
8	420823	Decal, Fuel Level
9	420824	Decal, Danger
10	420825	Decal, Hot Surface

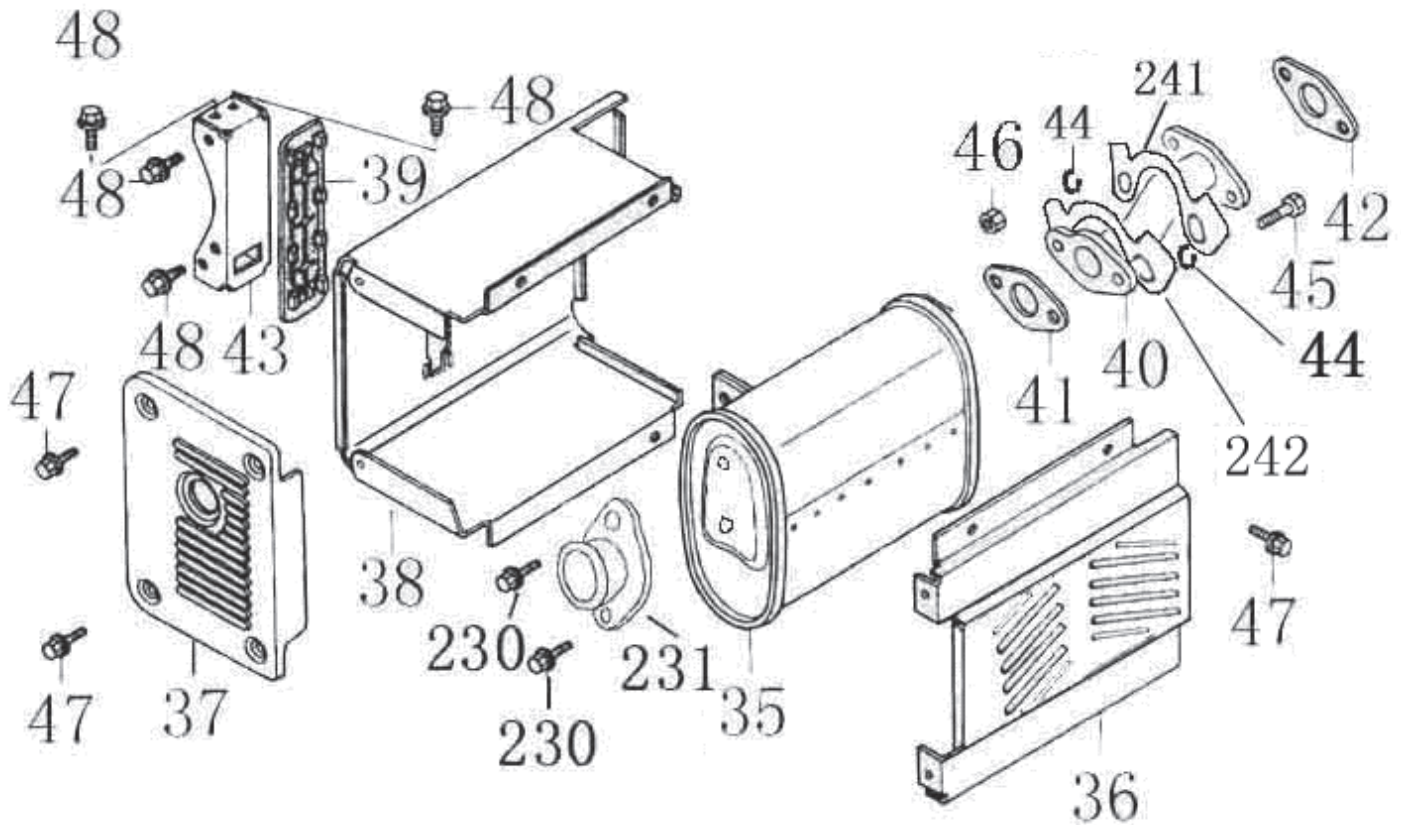


# PORTABLE ELECTRIC GENERATOR- -MODEL NO. PPG6000 CONTROL PANEL ASSEMBLY



KEY NO.	PART NO.	DESCRIPTION
6	Td2000-c03-2000	Control Panel Assy
7	Td2006-c03-0100	Control Panel Comp
8	Td9001-c03-0000	Case,control Panel
14	B057890006002070b	Bolt hex m6×20
16	B061770006000060b	Nut hex m6
17	Td2310-c03-0000	Circuit Breaker 23a
18	B000970206000000b	Washer plain w6
19	B000930006000000b	Washer spring w6
20	B057890006002070b	Bolt m6×20
61	Td2611-c03-0100	Harness Assy B., Wire
204	Td2410-c03-0100	Socket,120v
205	Td2410-c03-0200	Socket,(120v 240v)Plug Type L14-30
206	B06170004000060b	Screw M4
213	Td2016-b92-0000	Switch
218	Td2611-c03-0000	Harness Assy A., Wire
219	B000930004000000b	Washer, Spring, W4
220	B000970204000000b	Washer, Plain, W4
221	B061770004000060b	Nut m4
222	Td2018-c03-0100	Diode Assy
223	B057890006001470b	Bolt m6×14

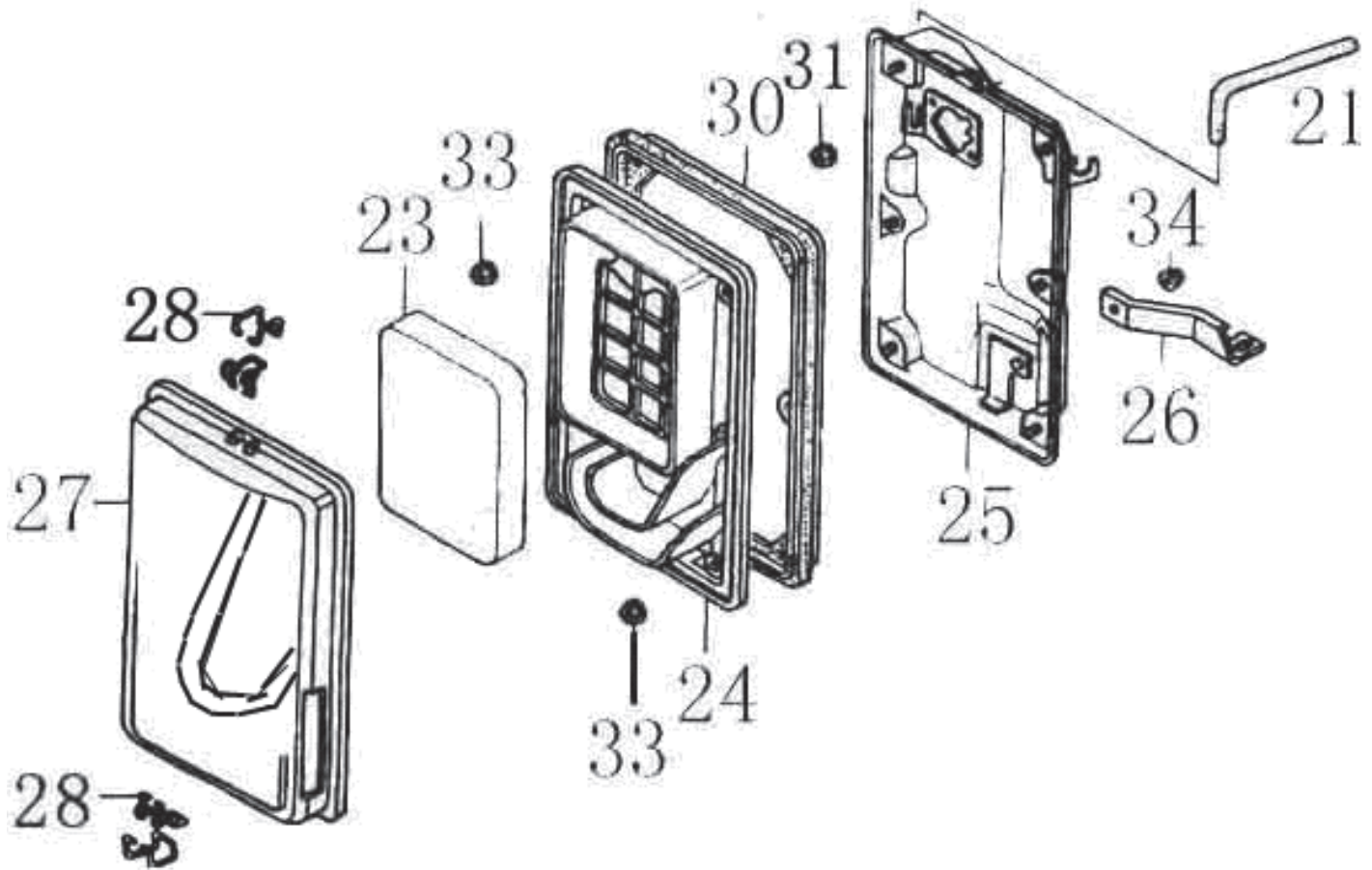
**PORTABLE ELECTRIC GENERATOR- -MODEL NO. PPG6000**  
**MUFFLER ASSEMBLY**



KEY NO.	PART NO.	DESCRIPTION
35	18000-qc03-0000	Muffler Comp
36	Td5004-b98-0000	Muffler Side Protector
37	Td5003-b98-0000	Muffler Outer Protector Comp.
38	Td5002-c03-0000	Muffler Inner Protector Comp.
39	Td5006-b98-0000	Protector Muffler Seal
40	18100-pb52-0000	Exhaust Pipe Comp.
41	18066-mb32-0100	Exhaust Pipe Gasket (A)
42	18066-mb32-0000	Exhaust Pipe Gasket (B)
43	Td5001-b98-0000	Muffler Stay Comp.
44	B000930008000000b	Spring Washer W8
45	B057890008002570b	Bolt M8x25
46	B061700008000060b	Nut 8mm
47	B057890006001270b	Bolt M6x12
48	B057890008001670b	Bolt M8x16
231	18000-qc03-0100	Spark Arrestor
230	B057890005002070b	Bolt M5x20
241	Td5006-pb50-0000	Lock Plate 50mm
242	Td5007-pb50-0000	Lock Plate 60mm



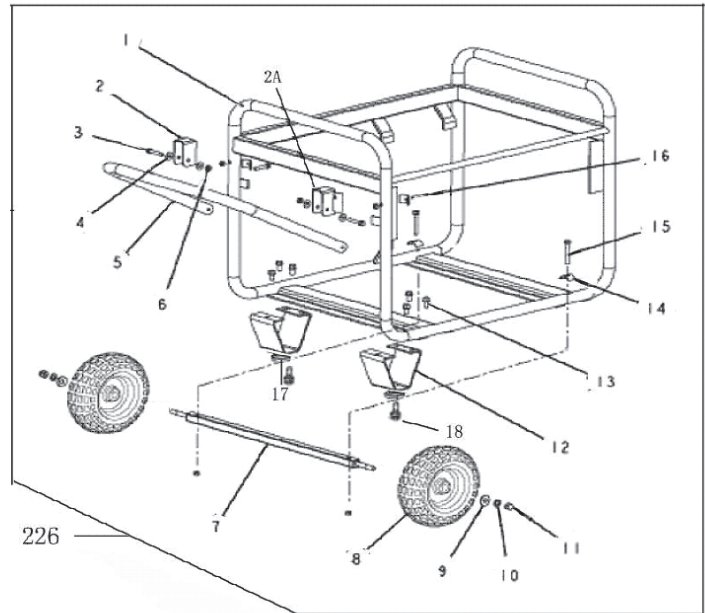
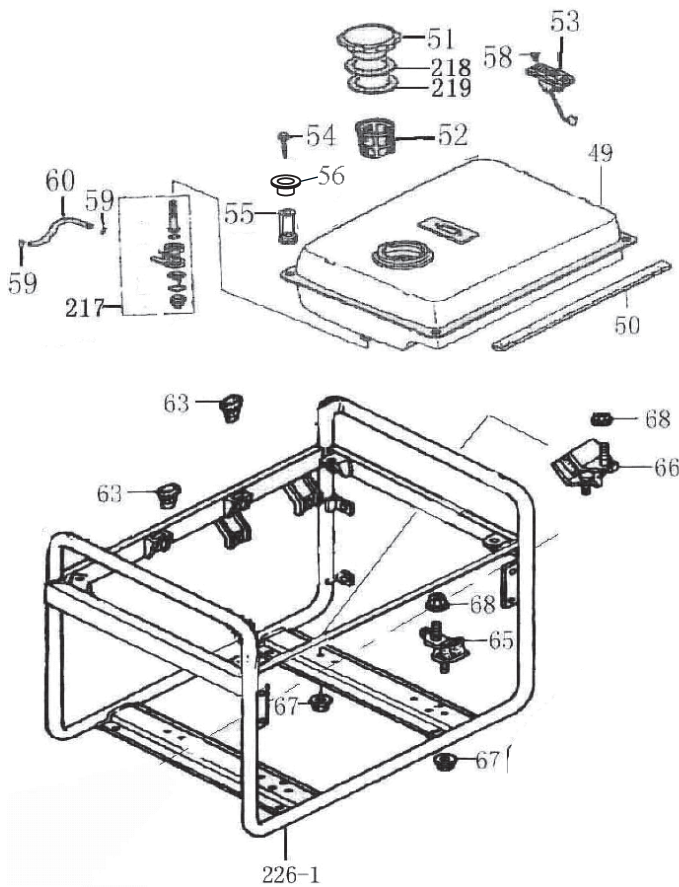
**PORTABLE ELECTRIC GENERATOR- -MODEL NO. PPG6000  
AIR FILTER ASSEMBLY**



KEY NO.	PART NO.	DESCRIPTION
21	12104-mb32-0000	Breather Tube
23	16101-mb32-0100	Air Cleaner Element
24	16106-mb32-0000	Air Cleaner Separator Plastic
25	16127-mb32-0000	Air Cleaner Case Rear
26	Td4121-c01-0000	Air Cleaner Stay
27	16105-mb32-0200	Air Cleaner Cover Case Front
28	16109-mb32-0000	Gemel
30	16102-mb32-0000	Air Cleaner Seal
33	B061700004000060b	Nut 4mm
31	B061770106000060b	Nut, M6
34	B061770106000060b	Nut, M6

# PORTABLE ELECTRIC GENERATOR- -MODEL NO. PPG6000

## FRAME & FUEL TANK ASSEMBLY



KEY NO.	PART NO.	DESCRIPTION
49	Td6110-b98-0400	Tank Comp., Fuel
50	Td6008-b98-0000	Fuel Tank Seal
51	Td6120-b98-0000	Fuel Filler Cap Comp.
52	Td6130-b93-0000	Fuel Filter
53	Td6140-b93-0000	Meter Assy.,fuel
54	B057890006003070b	Bolt, Flange, M6×30
55	Td6003-b93-0000	Tank Cushion Washer
56	Td6002-b93-0000	Bush
58	B090740005001000b	Screw, Flat, M5×10
59	17020-jc79-0200	Tube Clip, (B8)
60	T2999706300130185	Fuel Tube, W3.5×W10×165
63	Td6007-b98-0000	Fuel Tank Mounting Rubber
65	Td4111-b98-0000	Bottom Rubber l
66	Td4112-b98-0000	Bottom Rubber r
67	B061770010000060b	Nut M10
68	B061770008000060b	Nut M8
217	Td6040-b98-0400	Fuel Cock Assy.
218	Td6121-b93-0100	Fuel Filler Cap Packing Rubber
219	Td6122-b93-0100	Fuel Filler Cap Packing Plastic

KEY NO.	PART NO.	DESCRIPTION
226	Td4010-c03-1200	Wheel And Handle Assy
226-1	Td4010-c03-2100	Frame Kit
226-2	Td4013-c03-0200	Left Gemel
226-2a	Td4013-c03-0300	Right Gemel
226-3	B057890006004070b	Bolt,m6×40
226-4	B000970206000000b	Flat Washer, W6
226-5	Td4011-c03-0200	Handle
226-6	B061870006000000b	Nut, M6
226-7	Td4015-c03-0400	Axle Of Wheel
226-8	Td4014-c05-0400	Wheel
226-9	91302-91002030000	Flat Washer, W10
226-10	B0009300010000000b	Washer, Spring, W10
226-11	B009230006000000b	Nut, M10
226-12	Td4012-c03-0600	Foot
227-13	B094410006001870b	Bolt, M6×18
226-14	Td7051-c06-0000	Tile
226-15	B057890006005570b	Bolt, M6×40
226-16	B057890006003570b	Bolt, M6×35
226-17	Td4113-b98-0000	Rubber Bumper For Foot
226-18	B094410006001870b	M6×18

# U.S. EPA Emissions Control Warranty Statement

The U.S. Environmental Protection Agency and General Power Products Company are pleased to explain the Emissions control system warranty on your equipment. In California, new engines must be designed and built to meet the state's anti-smog standards. Elsewhere in the U.S., similar standards must be met that are set forth by the U.S. EPA. GPP will warrant the emissions control system of your engine for the time periods listed below, provided there has been no unapproved modification, improper maintenance, abuse, or neglect of your product.

Your emissions control system includes parts such as the air cleaner, ignition system, muffler and carburetor. Where a warrantable condition exists, GPP will repair your engine at no cost for parts, labor, and diagnosis.

## GPP Emissions System Warranty Coverage

Engines are warranted with respect to the emissions control parts set forth by the U.S. EPA for a period of two years. If any emissions part is found defective during that period, it will be replaced or repaired by GPP.

## Owner's Warranty Responsibility

As an engine and equipment owner, you are responsible for the required maintenance listed in the owner's manual. GPP recommends you retain all records associated with the maintenance and repair of your product, but GPP cannot deny the warranty solely on the lack of receipts or your failure to produce records of the performed maintenance.

You are responsible for presenting your product to an authorized repair and service outlet as soon as a problem arises. The warranty repairs should be completed in a reasonable amount of time. The time should not exceed 30 days.

You may be denied warranty coverage if your product has failure due to unapproved modification, improper maintenance, abuse, or neglect.

An authorized GPP service representative can perform warranty or service. For more information on those service representatives see your local yellow pages or contact General Power Products at 1-866-237-1049.

## GPP Emissions Control Warranty Provisions

The warranty explains your rights and responsibilities under the emissions control warranty which is provided to you by General Power Products Company. Poulan Pro provides a limited warranty for purchasers of new products on a separate sheet. The emissions control warranty applies only to the emissions control system of your product. If there is a conflict in terms between the emissions control warranty and the Poulan Pro Limited Warranty, the emissions control system warranty shall apply.

It must be an authorized service representative that performs warranty work. Evidence of the purchase date to the original purchaser must be presented to the service representative at the time of request to perform warranty. GPP is not responsible for service calls or transporting the product to the warranty service location. The purchaser is responsible for any loss or damage in connection with transportation of the product or parts thereof submitted for inspection and warranty work.

This product is not available for sale in California.

The following are provisions related to the Emissions Control Warranty Coverage:

1. GPP warrants the product to the initial owner and any subsequent owner that the parts are free from material and workmanship defects, which causes failure for a period of two years from the date the product is delivered to the retail purchaser.
2. Warranted parts are as follows:
  - a. Fuel System
    - i. Carburetor
    - ii. Fuel Pump
  - b. Air intake system
    - i. Air cleaner
    - ii. Intake manifold
  - c. Ignition System
    - i. Spark plug
    - ii. Ignition Module system
  - d. Muffler System
    - i. Muffler
    - ii. Exhaust manifold
  - e. Other components
    - i. Crankcase breather tube
    - ii. Flywheel
3. Warranty coverage shall be excluded where unapproved modifications, improper maintenance, abuse or neglect exists.
4. Any part that is scheduled for routine maintenance replacement will be covered up to the time for that part to be replaced or repaired under the scheduled maintenance period. The owner is required to perform all scheduled maintenance.
5. The owner shall not be charged for any diagnostic labor that leads up to the determination that the part is defective. An authorized General Power Products representative must perform the work.
6. Repair or replacement of a warranty part shall be at no charge to the owner when done by an authorized General Power Product representative.

If you have any questions regarding Emissions Control warranty rights and responsibilities, contact General Power Products Company at 1-866-237-1049.

# WARRANTY

## EMISSIONS MAINTENANCE SCHEDULE AND WARRANTED PARTS LIST

Emissions Parts	Inspect Before Each Use	Clean Every 5 Hours	Replace Every 25 Hours or Yearly	Clean Every 25 Hours or Yearly
<b>AIR FILTER ASSY</b>				
INCLUDES:				
FILTER.....		X	X	
<b>SPARK SCREEN.....</b>				X
<b>CARBURETOR ASSY</b>				
INCLUDES:				
HEAT DAM				
GASKETS				
<b>FUEL TANK ASSY</b>				
INCLUDES:				
FUEL LINES.....			X	
FUEL CAP.....			X	
FUEL FILTER				
<b>IGNITION ASSY</b>				
INCLUDES				
SPARK PLUG.....				X
ALL EMISSIONS-RELATED PARTS ARE WARRANTED FOR TWO YEARS, OR FOR THE PERIOD OF TIME PRIOR TO PART'S FIRST SCHEDULED REPLACEMENT—WHICHEVER COMES FIRST.				

## LIMITED WARRANTY

HOP (The "Manufacturer") warrants to the original consumer purchaser that this product as manufactured is free from defects in materials and workmanship. For a period of two (2) years from date of purchase by the original consumer purchaser, we will repair or replace, at our option, without charge for parts or labor incurred in replacing parts, any part which we find to be defective due to materials or workmanship. This Warranty is subject to the following limitations and exclusions.

1. Transportation charges for the movement of any power equipment unit or attachment are the responsibility of the purchaser. Transportation charges for any parts submitted for replacement under this warranty must be paid by the purchaser unless such return is requested by the manufacturer.
2. The Warranty period for any products used for rental or commercial purposes is limited to 90 days from the date of original purchase.
3. This Warranty applies only to products which have been properly assembled, adjusted, operated, and maintained in accordance with the instructions furnished. This Warranty does not apply to any product which has been subjected to alteration, misuse, abuse, improper assembly or installation, delivery damage, or to normal wear of the product.
4. Exclusions: Excluded from this Warranty are normal wear, normal adjustments, standard hardware and normal maintenance.
5. In the event you have a claim under this Warranty, you must return the product to an authorized service dealer.

Should you have any unanswered questions concerning this Warranty, please contact:

Poulan Pro  
HOP Customer Service Dept.  
1030 Stevens Creek Road  
Augusta, GA 30907 USA  
1-866-237-1049

giving the model number, serial number and date of purchase of your product and the name and address of the authorized dealer from whom it was purchased.

THIS WARRANTY DOES NOT APPLY TO INCIDENTAL OR CONSEQUENTIAL DAMAGES AND ANY IMPLIED WARRANTIES ARE LIMITED TO THE SAME TIME PERIODS STATED HEREIN FOR OUR EXPRESSED WARRANTIES. Some areas do not allow the limitation of consequential damages or limitations of how long an implied Warranty may last, so the above limitations or exclusions may not apply to you. This Warranty gives you specific legal rights, and you may have other rights which vary from locale to locale.

This is a limited Warranty within the meaning of that term as defined in the Magnuson-Moss Act of 1975.

---

# SERVICE NOTES

---

---

# SERVICE NOTES

---

● **SERVICE**

Now that you have purchased your tool, should a need ever exist for repair parts or service, simply contact your nearest Poulan Pro Authorized Service Center. Be sure to provide all pertinent facts when you call or visit. Please call 1-866-237-1049 for your nearest Poulan Pro Authorized Service Center. You can also check our web site at [www.poulanpro.com](http://www.poulanpro.com) for a complete list of Authorized Service Centers.

● **MODEL NO. AND SERIAL NO.**

The model number of this generator will be found on a plate attached to the motor housing. Please record the model number and serial number in the space provided below.

● **HOW TO ORDER REPAIR PARTS**

When ordering repair parts, always give the following information:

● MODEL NUMBER PPG 6000

● SERIAL NUMBER \_\_\_\_\_



## Free Manuals Download Website

<http://myh66.com>

<http://usermanuals.us>

<http://www.somanuals.com>

<http://www.4manuals.cc>

<http://www.manual-lib.com>

<http://www.404manual.com>

<http://www.luxmanual.com>

<http://aubethermostatmanual.com>

Golf course search by state

<http://golfingnear.com>

Email search by domain

<http://emailbydomain.com>

Auto manuals search

<http://auto.somanuals.com>

TV manuals search

<http://tv.somanuals.com>