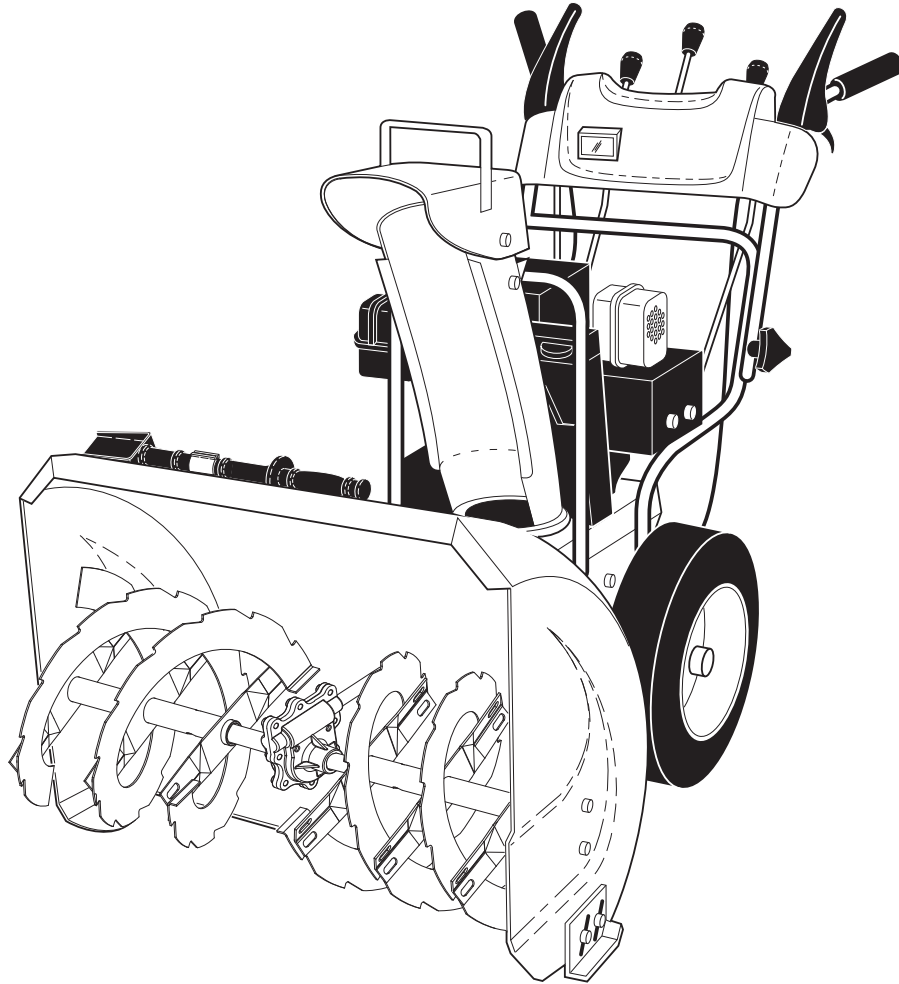


# Poulan PRO



## OWNER'S MANUAL

MODEL NUMBER:  
**PP208EPS24**  
SNOW THROWER

**⚠ WARNING:**  
Read the Owner's Manual and follow all Warnings and Safety Instructions. Failure to do so can result in serious injury.

*Always Wear Eye Protection During Operation*

435999 08.11.10 TH  
Printed in the U.S.A.

## IMPORTANT

### Safe Operation Practices for Walk-Behind Snow Throwers

This snow thrower is capable of amputating hands and feet and throwing objects. Failure to observe the following safety instructions could result in serious injury.



Look for this symbol to point out important safety precautions. It means **CAUTION!!! BECOME ALERT!!! YOUR SAFETY IS INVOLVED.**



**WARNING:** Always disconnect spark plug wire and place it where it cannot contact plug in order to prevent accidental starting when setting up, transporting, adjusting or making repairs.



**WARNING:** This snow thrower is for use on sidewalks, driveways and other ground level surfaces. Caution should be exercised while using on sloping surfaces. Do not use snow thrower on surfaces above ground level such as roofs of residences, garages, porches or other such structures or buildings.



**WARNING:** Snow throwers have exposed rotating parts, which can cause severe injury from contact, or from material thrown from the discharge chute. Keep the area of operation clear of all persons, small children and pets at all times including startup.



**CAUTION:** Muffler and other engine parts become extremely hot during operation and remain hot after engine has stopped. To avoid severe burns on contact, stay away from these areas.



**WARNING:** Engine exhaust, some of its constituents, and certain vehicle components contain or emit chemicals known to the State of California to cause cancer and birth defects or other reproductive harm.

### Training

1. Read, understand and follow all instructions on the machine and in the manual(s) before operating this unit. Be thoroughly familiar with the controls and the proper use of the equipment. Know how to stop the unit and disengage the controls quickly.
2. Never allow children to operate the equipment. Never allow adults to operate the equipment without proper instruction.
3. Keep the area of operation clear of all persons, particularly small children.
4. Exercise caution to avoid slipping or falling, especially when operating the snow thrower in reverse.

### Preparation

1. Thoroughly inspect the area where the equipment is to be used and remove all doormats, sleds, boards, wires, and other foreign objects.
2. Disengage all clutches and shift into neutral before starting the engine (motor).
3. Do not operate the equipment without wearing adequate winter garments. Avoid loose fitting clothing that can get caught in moving parts. Wear footwear that will improve footing on slippery surfaces.
4. Handle fuel with care; it is highly flammable
  - (a) Use an approved fuel container.
  - (b) Never add fuel to a running engine or hot engine.
  - (c) Fill fuel tank outdoors with extreme care. Never fill fuel tank indoors.
  - (d) Never fill containers inside a vehicle or on a truck or trailer bed with a plastic liner. Always place containers on the ground, away from your vehicle, before filling.
  - (e) When practical, remove gas-powered equipment from the truck or trailer and refuel it on the ground. If this is not possible, then refuel such equipment on a trailer with a portable container, rather than from a gasoline dispenser nozzle.

- (f) Keep the nozzle in contact with the rim of the fuel tank or container opening at all times, until refueling is complete. Do not use a nozzle lock-open device.
  - (g) Replace gasoline cap securely and wipe up spilled fuel.
  - (h) If fuel is spilled on clothing, change clothing immediately.
5. Use extension cords and receptacles as specified by the manufacturer for all units with electric drive motors or electric starting motors.
  6. Adjust the collector housing height to clear gravel or crushed rock surface.
  7. Never attempt to make any adjustments while the engine (motor) is running (except when specifically recommended by manufacturer).
  8. Always wear safety glasses or eye shields during operation or while performing an adjustment or repair to protect eyes from foreign objects that may be thrown from the machine.

### Operation

1. Do not put hands or feet near or under rotating parts. Keep clear of the discharge opening at all times.
2. Exercise extreme caution when operating on or crossing gravel drives, walks, or roads. Stay alert for hidden hazards or traffic.
3. After striking a foreign object, stop the engine (motor), remove the wire from the spark plug, disconnect the cord on electric motors, thoroughly inspect the snow thrower for any damage, and repair the damage before restarting and operating the snow thrower.
4. If the unit should start to vibrate abnormally, stop the engine (motor) and check immediately for the cause. Vibration is generally a warning of trouble.
5. Stop the engine (motor) whenever you leave the operating position, before unclogging the collector/impeller housing or discharge chute, and when making any repairs, adjustments or inspections.

6. When cleaning, repairing or inspecting the snow thrower, stop the engine and make certain the collector/impeller and all moving parts have stopped. Disconnect the spark plug wire and keep the wire away from the plug to prevent someone from accidentally starting the engine.
7. Do not run the engine indoors, except when starting the engine and for transporting the snow thrower in or out of the building. Open the outside doors; exhaust fumes are dangerous.
8. Exercise extreme caution when operating on slopes.
9. Never operate the snow thrower without proper guards, and other safety protective devices in place and working.
10. Never direct the discharge toward people or areas where property damage can occur. Keep children and others away.
11. Do not overload the machine capacity by attempting to clear snow at too fast a rate.
12. Never operate the machine at high transport speeds on slippery surfaces. Look behind and use care when operating in reverse.
13. Disengage power to the collector/impeller when snow thrower is transported or not in use.
14. Use only attachments and accessories approved by the manufacturer of the snow thrower (such as wheel weights, counterweights, or cabs).
15. Never operate the snow thrower without good visibility or light. Always be sure of your footing, and keep a firm hold on the handles. Walk; never run.
16. Never touch a hot engine or muffler.

## Clearing a Clogged Discharge Chute

Hand contact with the rotating impeller inside the discharge chute is the most common cause of injury associated with snow throwers. Never use your hand to clean out the discharge chute. To clear the chute:

1. SHUT THE ENGINE OFF!
2. Wait 10 seconds to be sure the impeller blades have stopped rotating.
3. Always use a clean-out tool, not your hands.

## Maintenance and Storage

1. Check shear bolts and other bolts at frequent intervals for proper tightness to be sure the equipment is in safe working condition.
2. Never store the machine with fuel in the fuel tank inside a building where ignition sources are present such as hot water heaters, space heaters, or clothes dryers. Allow the engine to cool before storing in any enclosure.
3. Always refer to operator's manual for important details if the snow thrower is to be stored for an extended period.
4. Maintain or replace safety and instruction labels, as necessary.
5. Run the machine a few minutes after throwing snow to prevent freeze-up of the collector/impeller.

**CONGRATULATIONS** on your purchase of a new snow thrower. It has been designed, engineered and manufactured to give best possible dependability and performance.

Should you experience any problem you cannot easily remedy, please contact your nearest authorized service center. We have competent, well-trained technicians and the proper tools to service or repair this unit.

Please read and retain this manual. The instructions will enable you to assemble and maintain your snow thrower properly. Always observe the "SAFETY RULES".

SERIAL NUMBER: \_\_\_\_\_

DATE OF PURCHASE: \_\_\_\_\_

THE MODEL AND SERIAL NUMBERS WILL BE FOUND ON A DECAL ATTACHED TO THE REAR OF THE SNOW THROWER HOUSING.

YOU SHOULD RECORD BOTH SERIAL NUMBER AND DATE OF PURCHASE AND KEEP IN A SAFE PLACE FOR FUTURE REFERENCE.

## PRODUCT SPECIFICATIONS

<b>Gasoline Capacity and Type:</b>	.5 Gal (1,89 Liters) Unleaded Regular only
<b>Oil Type (API SG-SL):</b>	SAE 30 (above 50°F) SAE 5W-30 or 10W-30 (32° to 50°F) SAE 5W-30 (below 32°F)
<b>Oil Capacity:</b>	16 Ounces (0,47 Liters)
<b>Spark Plug:</b>	F6RTC
<b>Gap:</b>	0.030" (0,762 mm)

## CUSTOMER RESPONSIBILITIES

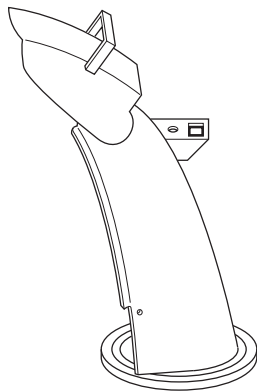
- Read and observe the safety rules.
- Follow a regular schedule in maintaining, caring for and using your snow thrower.
- Follow the instructions under "Maintenance" and "Storage" sections of this owner's manual.

# TABLE OF CONTENTS

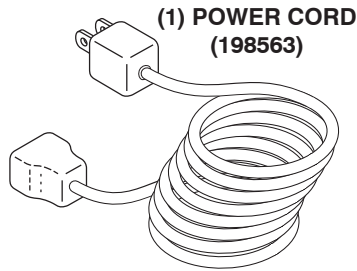
<b>SAFETY RULES</b> .....	<b>2-3</b>
<b>PRODUCT SPECIFICATIONS</b> .....	<b>3</b>
<b>CUSTOMER RESPONSIBILITIES</b> .....	<b>3</b>
<b>ASSEMBLY / PRE-OPERATION</b> .....	<b>4-7</b>
<b>OPERATION</b> .....	<b>8-13</b>
<b>MAINTENANCE SCHEDULE</b> .....	<b>14</b>

<b>MAINTENANCE</b> .....	<b>14-15</b>
<b>SERVICE AND ADJUSTMENTS</b> .....	<b>16-18</b>
<b>STORAGE</b> .....	<b>19</b>
<b>TROUBLESHOOTING</b> .....	<b>20</b>
<b>REPAIR PARTS</b> .....	<b>21-39</b>
<b>WARRANTY</b> .....	<b>BACK COVER</b>

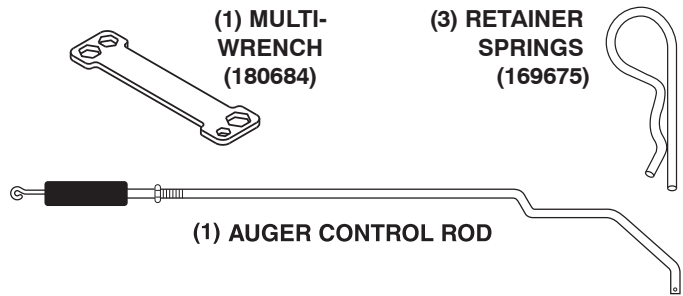
# PARTS PACKED SEPARATELY IN CARTON



(1) DISCHARGE CHUTE



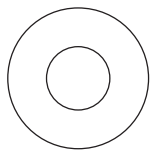
(1) POWER CORD  
(198563)



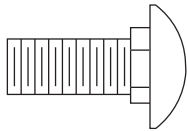
(1) MULTI-WRENCH  
(180684)

(3) RETAINER SPRINGS  
(169675)

(1) AUGER CONTROL ROD



(2) FLAT WASHERS

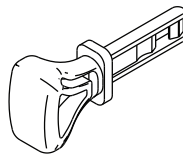


(2) CARRIAGE BOLTS  
3/8-16 x 2.25



(2) HANDLE KNOBS

SAFETY  
IGNITION KEY (S)  
(422663)



## ROTATOR HEAD MOUNTING

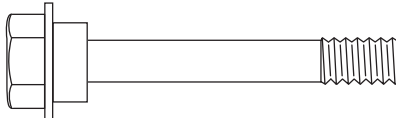


(1) WASHER 3/8  
(19131316)

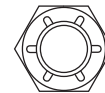


(1) LOCKNUT 3/8  
(73800600)

## EXTRA SHEAR BOLTS AND NUTS

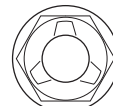


(2) SHEAR BOLTS 1/4-20 x 1-3/4  
(192090)

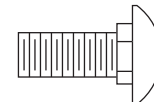


(2) LOCKNUTS  
1/4-20  
(73800400)

## CHUTE DEFLECTOR REMOTE CONTROL



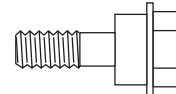
(1) LOCKNUT  
5/16-18  
(751153)



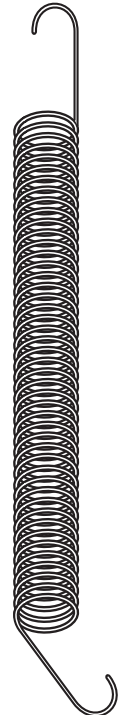
(1) CARRIAGE BOLT  
5/16-18 x 5/8  
(72250505)



(1) LOCKNUT  
1/4-20  
(191730)



(1) SHOULDER  
BOLT 1/4-20  
(179829)



(1) SPRING  
(184505)

# ASSEMBLY / PRE-OPERATION

Read these instructions and this manual in its entirety before you attempt to assemble or operate your new snow thrower. Reading the entire manual will familiarize you with the unit, which will assist you in assembly, operation and maintenance of the product.

Your new snow thrower has been assembled at the factory with the exception of those parts left unassembled for shipping purposes. All parts such as nuts, washers, bolts, etc., necessary to complete the assembly have been placed in the parts bag. To ensure safe and proper operation of your snow thrower, all parts and hardware you assemble must be tightened securely. Use the correct tools as necessary to ensure proper tightness.

## REMOVE SNOW THROWER FROM CARTON

1. Remove all accessible loose parts and parts boxes from carton.

2. Cut down all four corners of carton and lay panels flat.
3. Remove the two (2) screws securing the auger housing to the pallet.
4. Remove all packing materials except plastic tie holding speed control rod to lower handle.
5. Remove the two (2) plastic ties securing the upper handle to the pallet.
6. Remove snow thrower from carton and check carton thoroughly for additional loose parts.

## HOW TO SET UP YOUR SNOW THROWER

### TOOL BOX (See Fig. 9)

A toolbox is provided on your snow thrower. The toolbox is located on top of the belt cover. Store the extra shear bolts, nuts and multi-wrench provided in parts bag in the toolbox.

# ASSEMBLY / PRE-OPERATION

**NOTE:** The multi-wrench may be used for assembly of the chute rotator head to snow thrower and making adjustments to the skid plates.

## UNFOLD UPPER HANDLE

1. Raise upper handle to the operating position and tighten handle knobs securely. Additional carriage bolts, washers and handle knobs are in bag of parts. Use to secure upper handle to lower handle. Install in lower holes in handles.

## INSTALL SPEED CONTROL ROD (See Figs. 1 and 2)

1. Remove plastic tie securing rod to lower handle.
2. Insert rod into speed control bracket and secure with retainer spring.

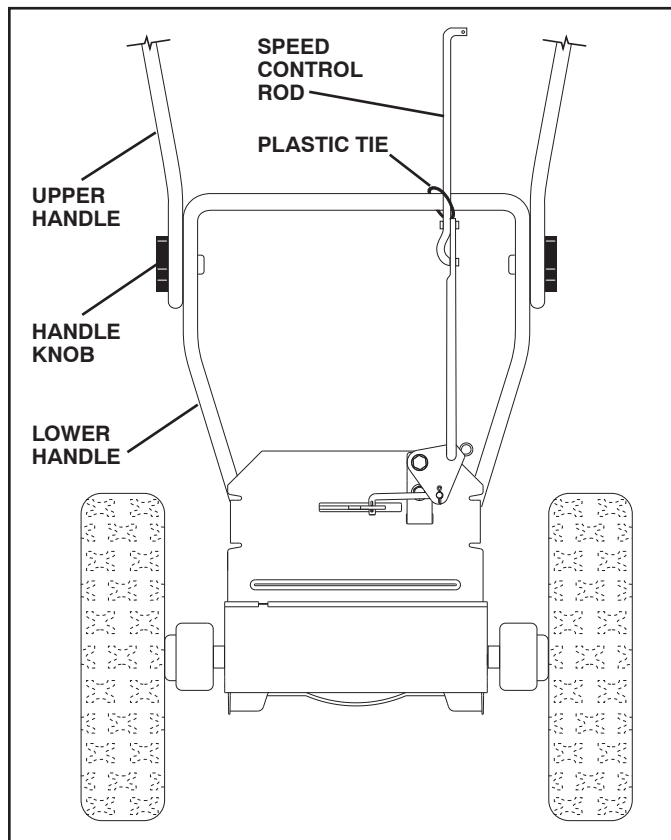


Fig. 1

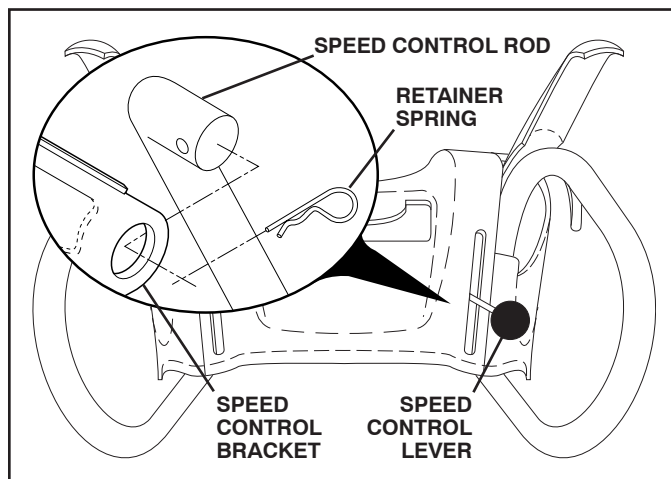


Fig. 2

## INSTALL TRACTION DRIVE CONTROL ROD (See Figs. 3 and 4)

The traction drive control rod is installed on the snow thrower.

1. Remove plastic tie securing rod to lower handle.
2. With top end of rod positioned under left side of control panel, push rod down and insert top end of rod into hole in drive control bracket. Secure with retainer spring.

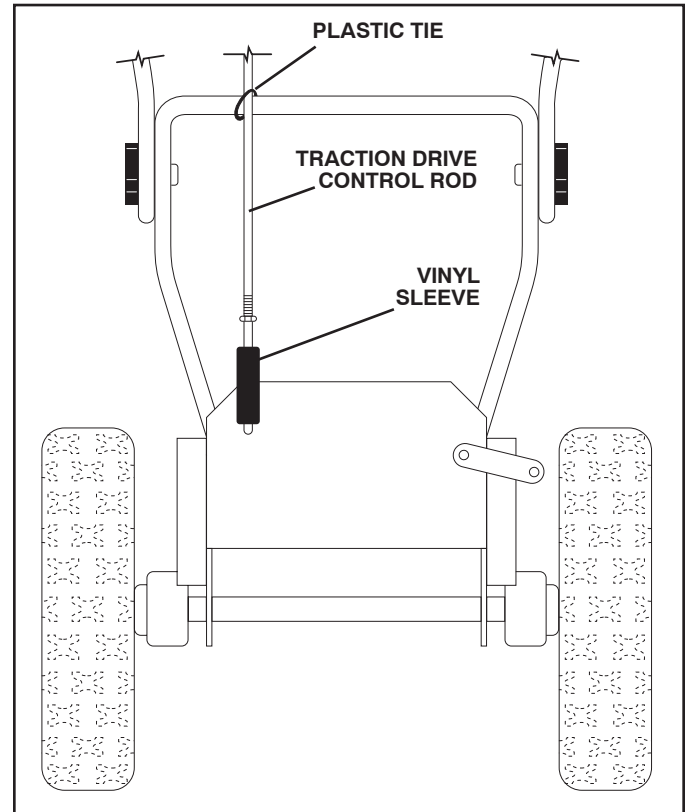


Fig. 3

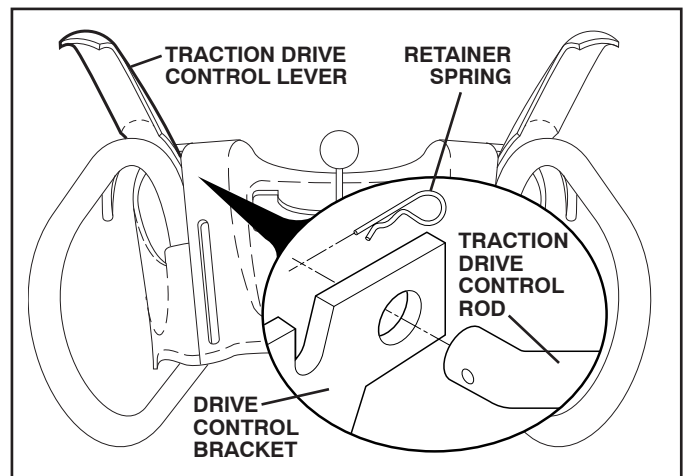


Fig. 4

# ASSEMBLY / PRE-OPERATION

## INSTALL AUGER CONTROL ROD (See Figs. 5 and 6)

1. Retrieve vinyl sleeve and spring from bag of parts and retrieve the auger control rod from carton chute tray. Slide straight rod end through the small hole in the vinyl sleeve. Hook spring in hole in rod end.
2. Hook end of spring into control arm with loop opening up as shown. (See Fig. 5)
3. With top end of rod positioned under right side of control panel, push down on rod and insert end of rod into hole in auger control bracket. Secure with retainer spring.

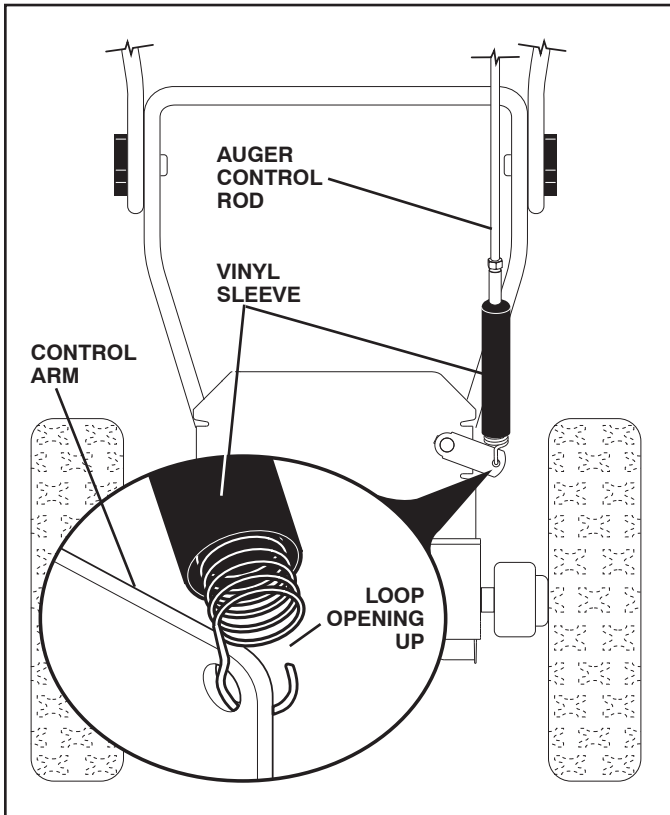


Fig. 5

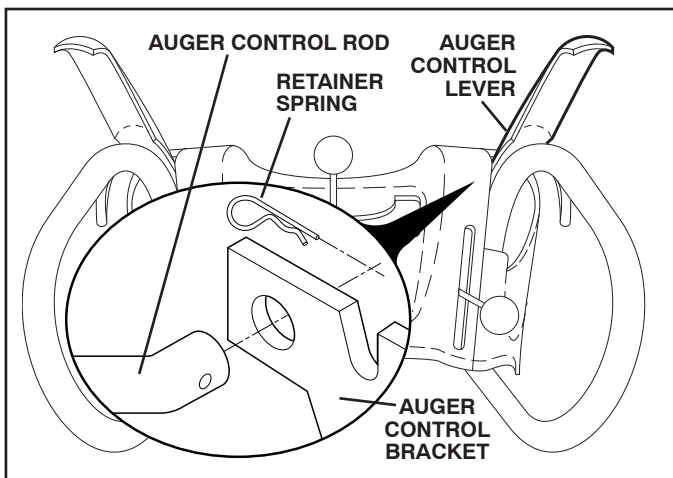


Fig. 6

## INSTALL DISCHARGE CHUTE / CHUTE ROTATOR HEAD (See Fig. 7)

**NOTE:** The multi-wrench provided in your parts bag may be used to install the chute rotator head.

1. Place discharge chute assembly on top of chute base with discharge opening toward front of snow thrower.
2. Position chute rotator head over chute bracket. If necessary, rotate chute assembly to align square and pin on underside of chute rotator head with holes in chute bracket.
3. With chute rotator head and chute bracket aligned, position chute rotator head on pin and threaded stud of mounting bracket.
4. Install 3/8 washer and locknut on threaded stud and tighten securely.

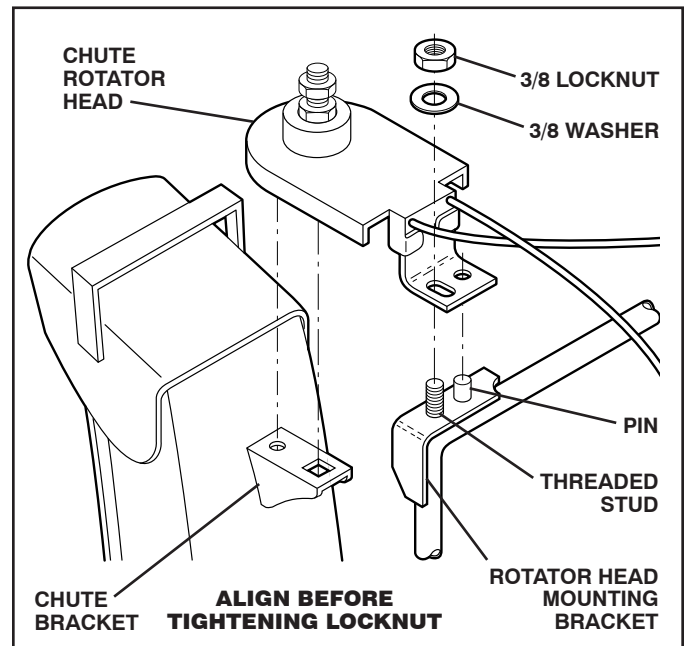


FIG. 7

# ASSEMBLY / PRE-OPERATION

## INSTALL CHUTE DEFLECTOR REMOTE CONTROL

(See Figs. 8A and 8B)

1. Install remote cable bracket to discharge chute with 5/16-18 carriage bolt and 5/16-18 locknut as shown. Tighten securely.
2. Install remote cable eyelet to chute deflector with 1/4-20 shoulder bolt and 1/4-20 locknut as shown. Tighten nut securely. Cable eyelet will be loose on shoulder bolt.
3. Install spring hooks between hex nuts on chute rotater head and into hole in chute deflector as shown.

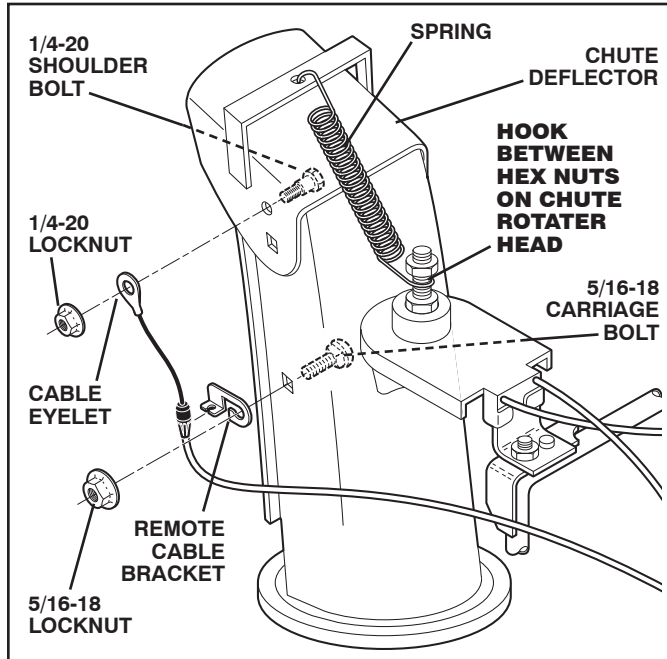


Fig. 8A

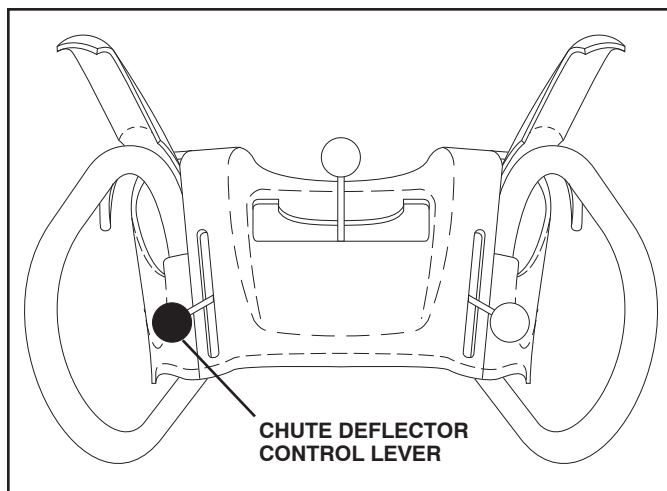


Fig. 8B

## CHECK TIRE PRESSURE

The tires on your snow thrower were overinflated at the factory for shipping purposes. Correct and equal tire pressure is important for best snow throwing performance.

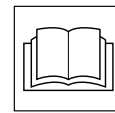
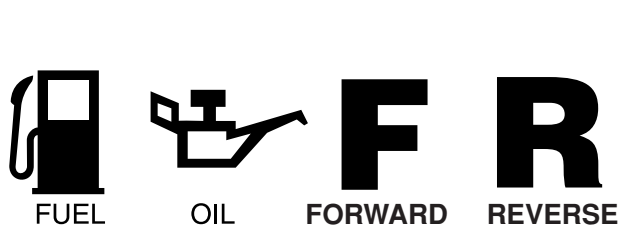
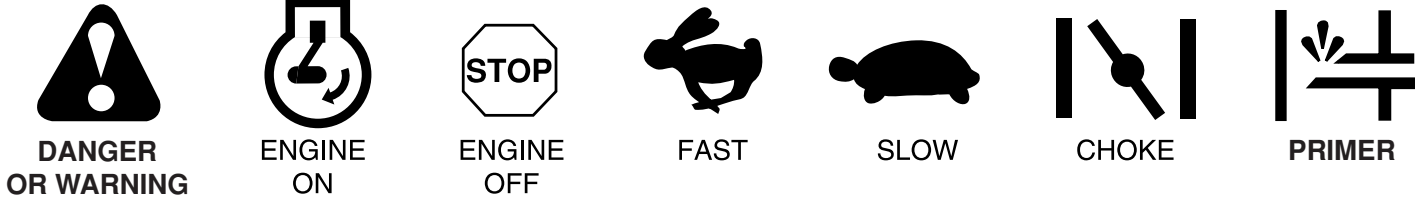
- Reduce tire pressure to 14-17 PSI.

# OPERATION

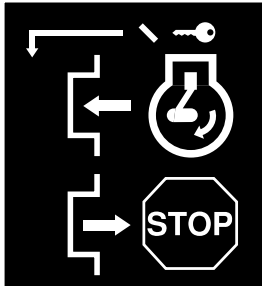
## KNOW YOUR SNOW THROWER

READ THIS OWNER'S MANUAL AND ALL SAFETY RULES BEFORE OPERATING YOUR SNOW THROWER. Compare the illustrations with your snow thrower to familiarize yourself with the location of various controls and adjustments. Save this manual for future reference.

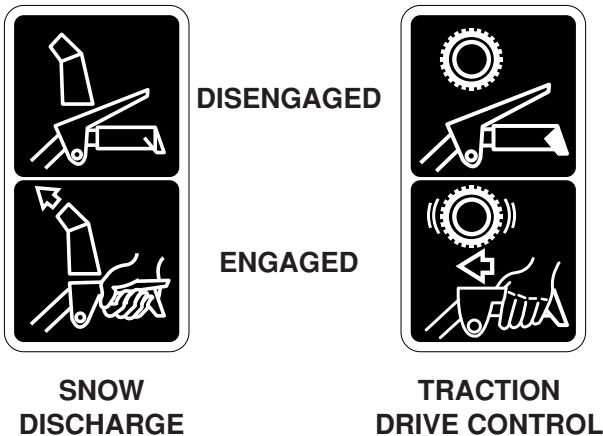
These symbols may appear on your snow thrower or in literature supplied with the product. Learn and understand their meaning.



READ AND FOLLOW ALL SAFETY INFORMATION AND INSTRUCTIONS BEFORE USE OF THIS PRODUCT. KEEP THESE INSTRUCTIONS FOR FUTURE REFERENCE.



IGNITION KEY. INSERT TO START AND RUN, PULL OUT TO STOP.





# OPERATION

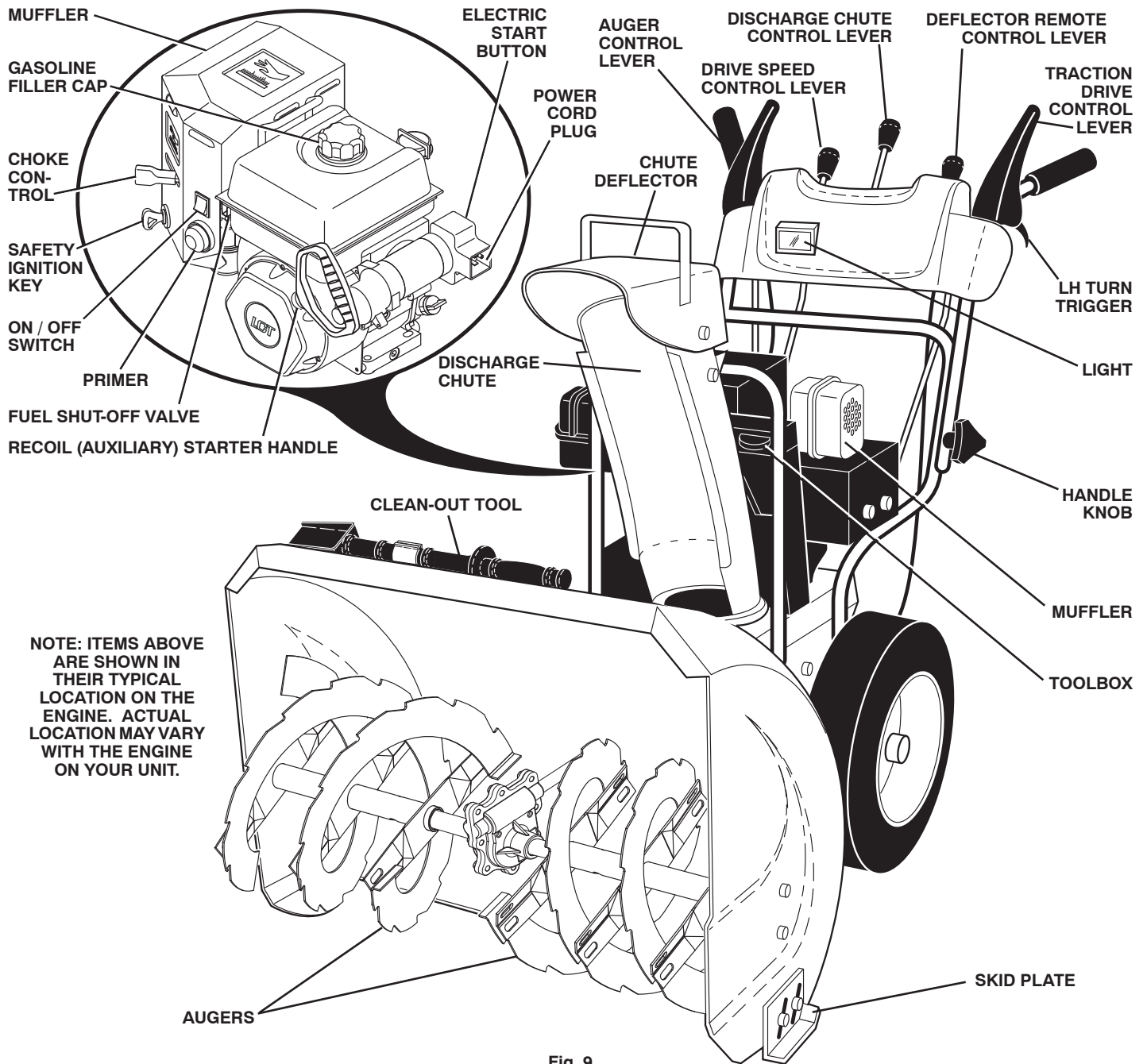


Fig. 9

## MEETS A.N.S.I. SAFETY REQUIREMENTS

Our snow throwers conform to the standards of the American National Standards Institute.

**Toolbox** - used to store spare shear bolts, locknuts and wrench.

**Safety ignition key** - must be inserted for the engine to start and run. Remove when snow thrower is not in use.

**Electric start button** - used for starting the engine.

**Recoil (auxiliary) starter handle** - used for starting the engine.

**Primer** - pumps additional fuel from the carburetor to the cylinder for use when starting a cold engine.

**ON / OFF switch** - used to STOP the engine.

**Choke control** - used for starting a cold engine.

**LH and RH turn triggers** - used to steer the snow thrower.

**Drive speed control lever** - used to select forward or reverse motion and speed of snow thrower.

**Traction drive control lever** - used to engage power-propelled forward or reverse motion of snow thrower.

**Auger control lever** - used to engage auger motion (throw snow).

**Discharge chute control lever** - used to change the direction the snow is thrown.

**Skid plate** - used to adjust height of scraper bar from the ground.

# OPERATION



The operation of any snow thrower can result in foreign objects thrown into the eyes, which can result in severe eye damage. Always wear safety glasses or eye shields while operating your snow thrower or performing any adjustments or repairs. We recommend standard safety glasses or a wide vision safety mask worn over spectacles.

## HOW TO USE YOUR SNOW THROWER

**Know how** to operate all controls before adding fuel or attempting to start the engine.

### STOPPING

#### TRACTION DRIVE

- Release traction drive control lever to stop the forward or reverse movement of the snow thrower.

#### AUGER

- Release the auger control lever to stop throwing snow.

#### ENGINE

1. Move ON / OFF switch to "OFF" position.
2. Remove (do not turn) safety ignition key to prevent unauthorized use.

**NOTE:** Never use choke to stop engine.

### TO USE FUEL SHUT-OFF VALVE (See Fig. 10)

The fuel shut-off valve is located beneath the fuel tank on the engine. Always operate the snow thrower with the fuel shut-off valve in the OPEN position.

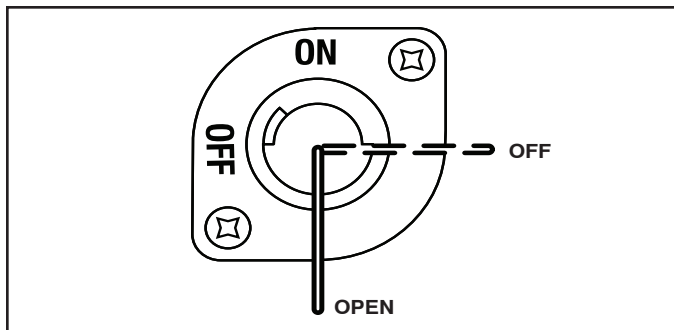


Fig. 10

### TO USE CHOKE CONTROL (See Fig. 11)

The choke control is located on the engine. Use the choke control whenever you are starting a cold engine. Do not use to start a warm engine.

- To engage choke, move lever to "FULL" position.

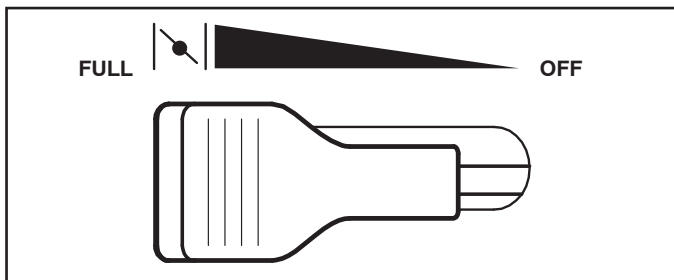


Fig. 11

### TO CONTROL SNOW DISCHARGE (See Fig. 12)



**WARNING:** Snow throwers have exposed rotating parts, which can cause severe injury from contact, or from material thrown from the discharge chute. Keep the area of operation clear of all persons, small children and pets at all times including startup.



**WARNING:** If the discharge chute or auger become clogged, shut-off engine and wait for all moving parts to stop. Use the clean-out tool, NOT YOUR HANDS, to unclog the chute and/or auger.

The **DIRECTION** in which snow is to be thrown is controlled by the discharge chute control lever.

- To change the discharge chute position, press downward on discharge chute control lever and move lever left or right until chute is in desired position. Be sure lever springs back and locks into desired position.

The **DISTANCE** that snow is thrown is controlled by the position of the chute deflector. Set the deflector low to throw snow a short distance; set the deflector higher to throw snow farther.

- Press downward on chute deflector control lever and move lever forward to raise the deflector and increase the distance. Move lever back to lower the deflector and decrease the distance. Be sure lever springs back and locks into desired position.

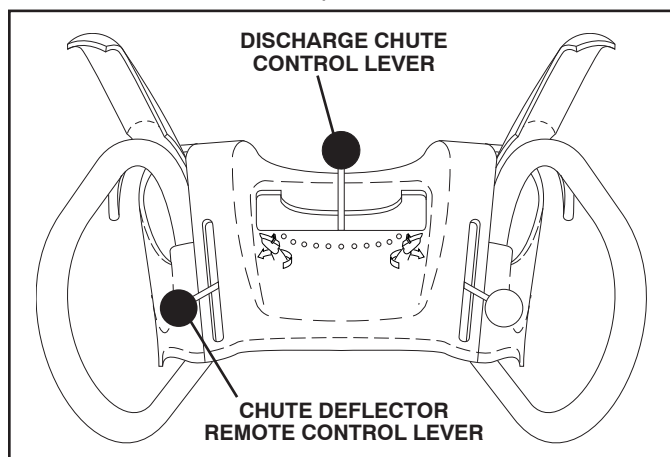


Fig. 12

# OPERATION

## TO THROW SNOW (See Fig. 13)

The auger rotation is controlled by the auger control lever located on the right side handle.

- Squeeze auger control lever to handle to engage the auger and throw snow.
- Release the auger control lever to stop throwing snow.

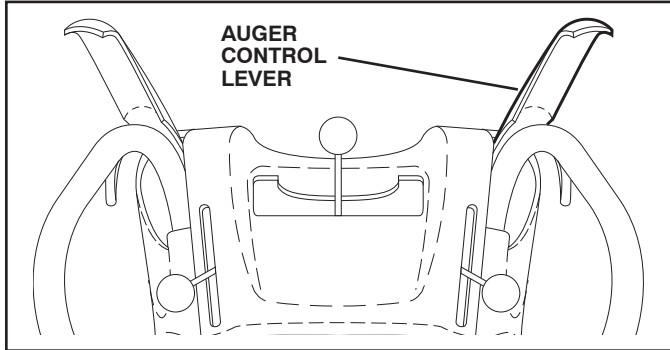


Fig. 13

## USING THE CLEAN-OUT TOOL (See Fig. 14)

In certain snow conditions, the discharge chute may become clogged with ice and snow. Use the clean-out tool to dislodge this blockage.

**When cleaning, repairing, or inspecting, make certain all controls are disengaged and the auger/impeller and all moving parts have stopped. Disconnect the spark plug wire and keep the wire away from the spark plug to prevent accidental starting.**

- Release the auger control lever and shut off the engine.
- Remove the clean-out tool from its mounting clip. Grasp the tool firmly by the handle and push and twist the tool into the discharge chute to dislodge the blockage.

After the packed snow has been dislodged, return the clean-out tool to its mounting clip by pushing it into the clip.

- Make sure the discharge chute is pointed in a safe direction (no vehicles, buildings, people, or other objects are in the direction of discharge) before restarting engine.
- Restart the engine, then squeeze the auger control lever to the handle to clear snow from the auger housing and the discharge chute.

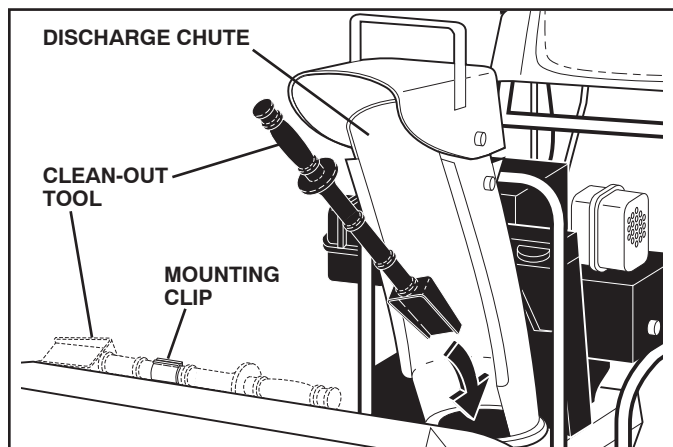


Fig. 14

## TO MOVE FORWARD AND BACKWARD (See Fig. 15)

SELF-PROPELLING, forward and reverse movement of the snow thrower, is controlled by the traction drive control lever located on the left side handle.

- Squeeze traction drive control lever to handle to engage the drive system.
- Release traction drive control lever to stop the forward or reverse movement of the snow thrower.

SPEED and DIRECTION are controlled by the drive speed control lever.

- Press downward on the speed control lever and move lever to desired position BEFORE engaging the traction drive control lever. Be sure lever springs back and locks into desired position.

**CAUTION: Do not move speed control lever when traction drive control lever is engaged. Damage to the snow thrower can result.**

- Slower speeds are for heavier snow and faster speeds are for light snow and transporting the snow thrower. It is recommended that you use a slower speed until you are familiar with the operation of the snow thrower.

**NOTE:** When both traction drive and auger control levers are engaged, the traction drive control lever will lock the auger control lever in the engaged position. This will allow you to release your right hand from the handle and adjust the discharge chute direction without interrupting the snow throwing process.

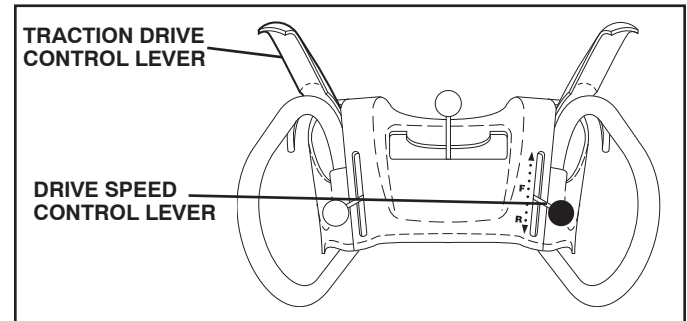


Fig. 15

## POWER STEERING OPERATION (See Fig. 16)

Steering triggers are used to assist in steering your snow thrower. The triggers are located on the underside of each handle. When a trigger is squeezed, it disengages the drive wheel on that side of snow thrower and allows it to turn in that direction.

- To turn left – squeeze left side trigger.
- To turn right – squeeze right side trigger.

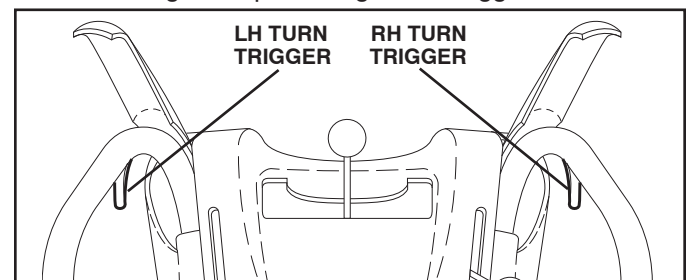


Fig. 16

# OPERATION

## TO ADJUST SKID PLATES (See Fig. 17)

**NOTE:** The wrench provided in your parts bag may be used to adjust the skid plates.

Skid plates are located on each side of the auger housing and adjust the clearance between the scraper bar and the ground surface. Adjust skid plates evenly to proper height for current surface conditions. For removal of snow in normal conditions, such as a paved driveway or sidewalk, place skid plates in the highest position (lowest scraper clearance) to give a 1/8" clearance between the scraper bar and the ground. Use a middle position if the surface to be cleared is uneven.

**NOTE:** It is not recommended to operate the snow thrower over gravel or rocky surfaces. Objects such as gravel, rocks or other debris, can easily be picked up and thrown by the impeller, which can cause serious personal injury, property damage or damage to the snow thrower.

- If snow thrower must be operated over gravel surface, use extra caution and be sure skid plates are adjusted to lowest (highest scraper clearance) position.
1. Shut off engine and wait for all moving parts to stop.
  2. Adjust skid plates by loosening the hex nuts, then moving skid plate to desired position. Be sure both plates are adjusted evenly. Tighten securely.

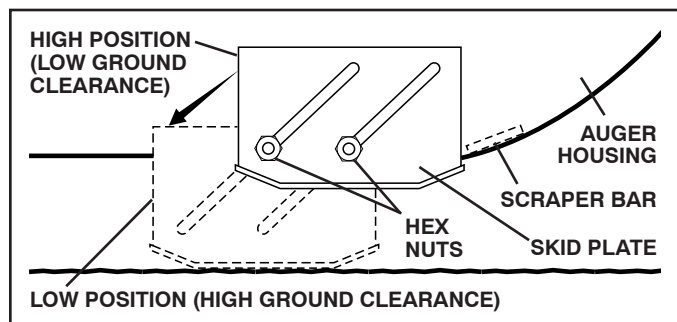


Fig. 17

## SCRAPER BAR (See Fig. 17)

The scraper bar is not adjustable, but is reversible. After considerable use it may become worn. When it has worn almost to the edge of the housing, it can be reversed, providing additional service before requiring replacement. Replace a damaged or worn scraper bar.

## BEFORE STARTING THE ENGINE

### CHECK ENGINE OIL LEVEL (See Fig. 18)

The engine on your snow thrower has been shipped, from the factory, already filled with oil.

1. Check engine oil with snow thrower on level ground.
  2. Remove oil fill cap/dipstick and wipe clean, reinsert the dipstick and screw tight, wait for a few seconds, remove and read oil level. If necessary, add oil until "FULL" mark on dipstick is reached. Do not overfill.
- To change engine oil, see "TO CHANGE ENGINE OIL" in the Maintenance section of this manual.

## ADD GASOLINE (See Fig. 18)

- Fill fuel tank to bottom of tank filler neck. Do not overfill. Use fresh, clean, regular unleaded gasoline with a minimum of 87 octane. Do not mix oil with gasoline. Purchase fuel in quantities that can be used within 30 days to assure fuel freshness.



**WARNING:** Wipe off any spilled oil or fuel. Do not store, spill or use gasoline near an open flame.

**CAUTION:** Alcohol blended fuels (called gasohol or using ethanol or methanol) can attract moisture which leads to separation and formation of acids during storage. Acidic gas can damage the fuel system of an engine while in storage. To avoid engine problems, the fuel system should be emptied before storage of 30 days or longer. Empty the gas tank, start the engine and let it run until the fuel lines and carburetor are empty. Use fresh fuel next season. See Storage Instructions for additional information. Never use engine or carburetor cleaner products in the fuel tank or permanent damage may occur.

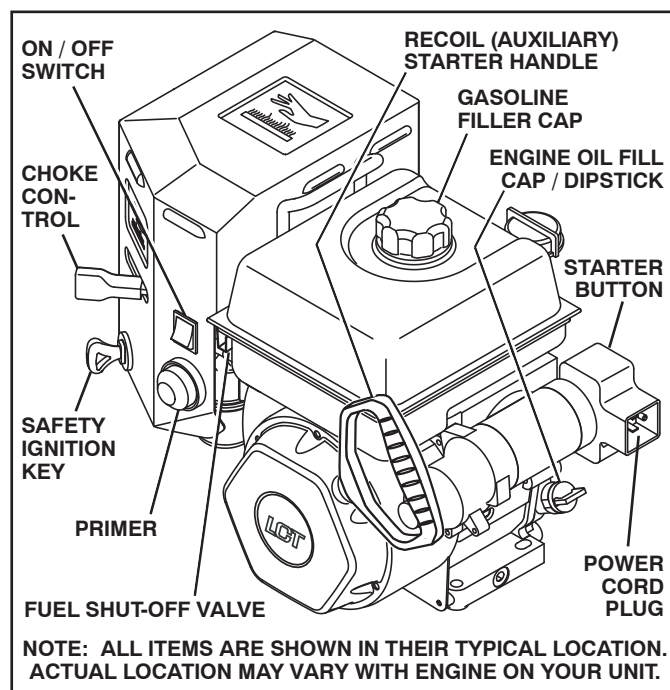


Fig. 18

# OPERATION

## TO START ENGINE

- Be sure fuel shut-off valve is in the "OPEN" position.

Your snow thrower engine is equipped with both a 120 Volt A.C. electric starter and a recoil starter. The electric starter is equipped with a three-wire power cord and plug and is designed to operate on 120 Volt A.C. household current.

- Be sure your house is a 120 Volt A.C. three-wire grounded system. If you are uncertain, consult a licensed electrician.



**WARNING: Do not use the electric starter if your house is not a 120 Volt A.C. three-wire grounded system. Serious personal injury or damage to your snow thrower could result.**

## COLD START - ELECTRIC STARTER

1. Insert safety ignition key (tied to recoil start cord) into ignition slot until it clicks. DO NOT turn the key. Keep the extra safety ignition key in a safe place.
2. Place ON / OFF switch in "ON" position.
3. Move choke control to "FULL" position.
4. Connect the power cord to the engine.
5. Plug the other end of the power cord into a three-hole grounded 120 Volt A.C. receptacle.

**NOTE:** Do not use primer when starting engine with the electric starter.

6. Push starter button until engine starts.

**IMPORTANT:** Do not crank engine more than five continuous seconds between each time you try to start. Wait 5 to 10 seconds between each attempt.

7. When the engine starts, release the starter button and slowly move the choke control to the "OFF" position.
8. Disconnect the power cord from the receptacle first, then from the engine.

Allow the engine to warm up for a few minutes. Engine will not develop full power until it has reached normal operating temperature.

## WARM START - ELECTRIC STARTER

Follow the steps above, keeping the choke control in the "OFF" position.

## COLD START - RECOIL STARTER

1. Insert safety ignition key (tied to recoil start cord) into ignition slot until it clicks. DO NOT turn the key. Keep the extra safety ignition key in a safe place.
2. Place ON / OFF switch in "ON" position.
3. Rotate choke control to "FULL" position.
4. Push the primer four (4) times if the temperature is below 15°F, or two (2) times if temperature is between 15° and 50°F. If temperature is above 50°F, priming is not necessary.

**NOTE:** Over priming may cause flooding, preventing the engine from starting. If you do flood the engine, wait a few minutes before attempting to start and DO NOT push the primer.

5. Pull recoil starter handle quickly. Do not allow starter rope to snap back.
6. When the engine starts, release the recoil starter handle and slowly move the choke control to the "OFF" position.

Allow the engine to warm up for a few minutes. Engine will not develop full power until it has reached normal operating temperature.

## WARM START - RECOIL STARTER

Follow the steps above, keeping the choke in the "OFF" position. DO NOT push the primer.

## BEFORE STOPPING

Run the engine for a few minutes to help dry off any moisture on the engine.

## IF RECOIL STARTER HAS FROZEN

If the recoil starter has frozen and will not turn the engine, proceed as follows:

1. Grasp the recoil starter handle and slowly pull as much rope out of the starter as possible.
2. Release the recoil starter handle and let it snap back against the starter.

If the engine still fails to start, repeat the above steps or use the electric starter.

## SNOW THROWING TIPS

- Go slower in deep, freezing or heavy wet snow. Use the drive speed control, NOT the ON / OFF switch, to adjust speed.
- It is easier and more efficient to remove snow immediately after it falls.
- The best time to remove snow is the early morning. At this time the snow is usually dry and has not been exposed to the direct sun and warming temperatures.
- Slightly overlap each successive path to ensure all snow will be removed.
- Throw snow downwind whenever possible.
- Adjust the skid plates to proper height for current snow conditions. See "TO ADJUST SKID PLATES" in this section of this manual.
- For extremely heavy snow, reduce the width of snow removal by overlapping previous path and moving slowly.
- Keep engine clean and clear of snow during use. This will help air flow and extend engine life.
- After snow-throwing is completed, allow engine to run for a few minutes to melt snow and ice off the engine.
- Clean the entire snow thrower thoroughly after each use and wipe dry so it is ready for next use.



**WARNING: Do not operate snow thrower if weather conditions impair visibility. Throwing snow during a heavy, windy snowstorm can blind you and be hazardous to the safe operation of the snow thrower.**



# MAINTENANCE

## V-BELTS

Check V-belts for deterioration and wear after every 50 hours of operation and replace if necessary. The belts are not adjustable. Replace belts if they begin to slip from wear. (See "TO REMOVE BELT COVER" in the Service and Adjustments section of this manual).

The V-belts on your snow thrower are of special construction and should be replaced by original equipment manufacturer (OEM) belts available from your nearest dealer. Using other than OEM belts can cause personal injury or damage to the snow thrower.

## AUGER GEAR CASE

- The gear case was filled with lubricant to the proper level at the factory. The only time the lubricant needs attention is if service has been performed on the gear case.
- If lubricant is required, use only Ronex ED #1 grease.

## TRACTION DRIVE SYSTEM

DO NOT lubricate the drive components inside the snow thrower. The sprockets, hex shafts, drive disc and friction wheel require no lubrication. The bearings and bushings are lifetime lubricated and require no maintenance.

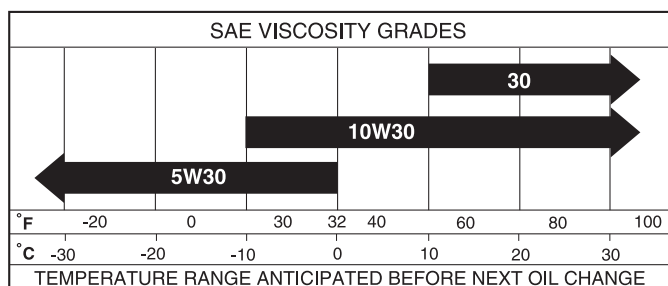
**CAUTION: Any lubricating of the above components can cause contamination of the friction wheel and damage to the drive system of your snow thrower.**

## ENGINE

See engine manual.

## LUBRICATION

Use only high quality detergent oil rated with API service classification SG–SL. Select the oil's SAE viscosity grade according to your expected operating temperature.



**NOTE:** Although multi-viscosity oils (5W30, 10W30 etc.) improve starting in cold weather, these multi-viscosity oils will result in increased oil consumption when used above 32°F. Check your engine oil level more frequently to avoid possible engine damage from running low on oil.

Change the oil after every 25 hours of operation or at least once a year if the snow thrower is not used for 25 hours in one year.

Check the crankcase oil level before starting the engine and after each five (5) hours of continuous use. Tighten oil fill cap / dipstick securely each time you check the oil level.

## TO CHANGE ENGINE OIL

Determine temperature range anticipated before next oil change. All oil must meet API service classification SG–SL.

- Be sure snow thrower is on level surface.
- Oil will drain more freely when warm.
- Catch oil in a suitable container.

**NOTE:** The left side wheel may be removed from snow thrower for easier access to the oil drain plug and placement of a suitable container. The unit tilted, resting on the frame with the left wheel removed, will help drain any oil trapped inside the engine. (See "TO REMOVE WHEELS" in the Service and Adjustments section of this manual).

1. Remove safety ignition key and disconnect spark plug wire from spark plug and place wire where it cannot come in contact with plug.
2. Clean area around drain plug.
3. Remove drain plug and drain oil in a suitable container.
4. Install drain plug and tighten securely.
5. Wipe off any spilled oil from snow thrower and engine.
6. Install left wheel (if removed for draining oil). Be sure to install klick pin into proper hole in wheel axle (See "TO REMOVE WHEELS" in the Service and Adjustments section of this manual).
7. Remove oil fill cap/dipstick. Be careful not to allow dirt to enter the engine.
8. Refill engine with oil through oil dipstick tube. Pour slowly. Do not overfill. For approximate capacity see "PRODUCT SPECIFICATIONS" section of this manual.
9. Use gauge on oil fill cap/dipstick for checking level. Be sure dipstick cap is tightened securely for accurate reading. Keep oil at "FULL" line on dipstick.
10. Wipe off any spilled oil.

## MUFFLER

Inspect and replace corroded muffler as it could create a fire hazard and/or damage.

## SPARK PLUG

Replace spark plug at the beginning of each season or after every 100 hours of operation, whichever occurs first. Spark plug type and gap setting are shown in the "PRODUCT SPECIFICATIONS" section of this manual.

## CLEANING

**IMPORTANT:** For best performance, keep snow thrower housing free of any dirt or trash. Clean the outside of your snow thrower after each use.



**WARNING: Remove safety ignition key and disconnect spark plug wire from spark plug. Place wire where it cannot come in contact with spark plug.**

- Keep finished surfaces/wheels free of gasoline, oil, etc.
- We do not recommend using a garden hose to clean your snow thrower unless the electrical system, muffler and carburetor are covered to keep water out. Water in engine can result in shortened engine life..

# SERVICE AND ADJUSTMENTS



**WARNING: To avoid serious injury, before performing any service or adjustments:**

1. Be sure the on/off switch is in the OFF position.
2. Remove safety ignition key.
3. Make sure the augers and all moving parts have completely stopped.
4. Disconnect spark plug wire from spark plug and place wire where it cannot come in contact with plug.

## SNOW THROWER

### TO ADJUST SNOW THROWER HEIGHT

See "TO ADJUST SKID PLATES" and "SCRAPER BAR" in the Operation section of this manual.

### CHUTE DEFLECTOR

The chute deflector, attached to the top of the discharge chute, is provided to direct discharging snow away from the operator. If the deflector becomes damaged, it should be replaced.



**WARNING: To avoid serious injury, never operate your snow thrower with the deflector removed or damaged.**

- To change direction and/or distance snow is discharged, see "TO CONTROL SNOW DISCHARGE" in the Operation section of this manual.

### SHEAR BOLTS (See Fig. 19)

#### AUGER SHEAR BOLTS

Both right and left-hand augers are secured to the auger shaft with a spacer, shear bolt and hex nut. Should a foreign object or ice become lodged in the augers, the shear bolts are designed to break, preventing damage to any other components. If one or both augers do not turn when auger control lever is engaged, check to see if one or both of the bolts have sheared. To replace the shear bolts:

1. Disengage all controls and move throttle control to STOP position. Wait for all moving parts to stop.
2. Remove safety ignition key and disconnect spark plug wire from spark plug. Place wire where it cannot come in contact with spark plug.
3. Align hole in auger hub with hole in auger shaft and install a new 1/4-20 x 2" shear bolt. Install 1/4-20 lock nut and tighten securely.

**CAUTION: Do not substitute. Use only original equipment shear bolts as supplied with your snow thrower.**

4. Insert safety ignition key and reconnect spark plug wire to spark plug.

#### IMPELLER SHEAR BOLTS

The impeller is secured to the impeller shaft with two (2) capscrew/shear bolts and hex nuts. Should a foreign object or ice become lodged in the impeller, the capscrews are designed to break, preventing damage to any other components. If impeller does not turn when auger control lever is engaged, check to see if the capscrews have sheared.

To replace the capscrew/shear bolts:

1. Disengage all controls and move throttle control to STOP position. Wait for all moving parts to stop.
2. Remove safety ignition key and disconnect spark plug wire from spark plug. Place wire where it cannot come in contact with spark plug.
3. Align holes in impeller hub with holes in impeller shaft and install two (2) new 1/4-20 x 1-5/8" capscrew/shear bolts. Install 1/4-20 locknuts and tighten securely.

**CAUTION: Do not substitute. Use only original equipment capscrew/shear bolts as supplied with your snow thrower.**

4. Insert safety ignition key and reconnect spark plug wire to spark plug.

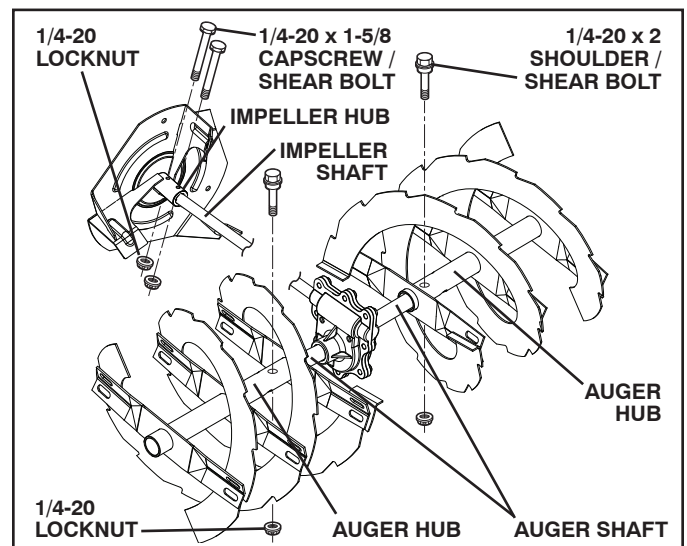


Fig. 19

### TO REMOVE BELT COVER (See Fig. 20)

1. Remove the two (2) screws securing belt cover to frame.
2. Remove belt cover.
3. Replace belt cover by installing cover and screws and tighten securely.

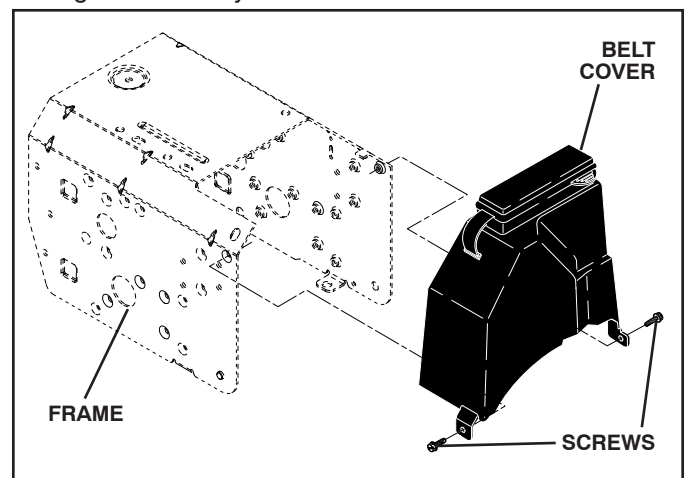


Fig. 20



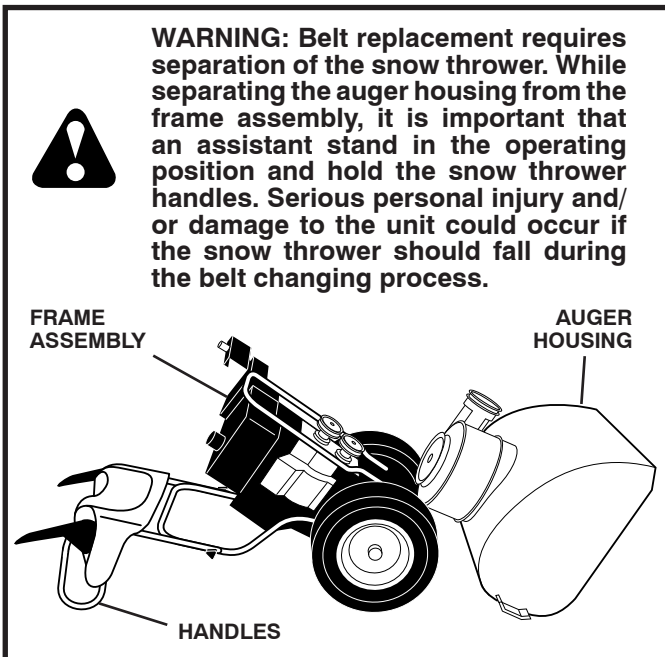
# SERVICE AND ADJUSTMENTS

## TO REPLACE BELTS (See Fig. 21)

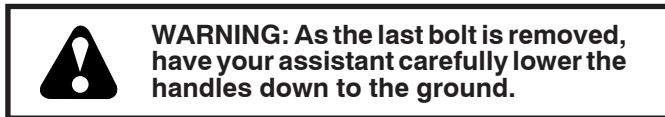
The auger and traction drive belts are not adjustable. If the belts are damaged or begin to slip from wear, they should be replaced. It is recommended that the belt(s) be replaced by a service center/department.

**NOTE:** It is recommended that both the auger and traction drive belt be replaced at the same time.

The V-belts on your snow thrower are of special construction and should be replaced by original equipment manufacturer (OEM) belts available from your nearest service center/department. Using other than OEM belts can cause personal injury or damage to the snow thrower.



1. REMOVE GASOLINE FROM FUEL TANK - Drain gasoline from fuel tank into a suitable container, outdoors, away from fire or flame. Wipe up any spilled gasoline.
2. REMOVE DISCHARGE CHUTE - Loosen locknut securing chute rotator head to mounting bracket only enough to allow chute rotator head to be raised and discharge chute to be removed from snow thrower.
3. REMOVE BELT COVER - See "TO REMOVE BELT COVER" in this section of this manual.
4. REMOVE ENGINE PULLEY - Remove bolt, flat washer securing pulley to engine crankshaft. Remove outside (auger) pulley only from crankshaft.
5. SEPARATE SNOW THROWER - With your assistant standing in the operating position holding the handles, remove the two (2) bolts holding the auger housing and frame together.



6. REMOVE HAIRPIN FROM CLUTCH ROD and remove clutch rod from swing plate. Tip swing plate forward.
7. REMOVE AUGER BELT from around pulley.

8. RELIEVE TENSION ON TRACTION DRIVE BELT IDLER and remove traction drive belt from around pulleys.

**HINT:** Insert a 3/8" drive ratchet (in the "ON" position) into the square hole in idler arm and rotate ratchet clockwise to relieve tension.

9. With tension relieved on idler, install new traction drive belt around pulleys and inside belt keepers.
10. Install clutch rod in swing plate; secure with hairpin.
11. Place auger belt around and inside the groove of auger pulley only.
12. While your assistant slowly raises handles to rejoin the auger housing and frame assembly, pull up on the auger belt and squeeze sides together above pulley so belt is fully seated in groove of pulley.
13. Move idler arm so it does not hit impeller pulley as you bring snow thrower completely together and check carefully for proper routing of belts. If auger belt has become dislodged from the pulley (by catching the idler arm bracket while bringing snow thrower together), separate the snow thrower and repeat step 12. Belt must be fully seated in pulley groove when bringing the snow thrower together.
14. Install the two (2) hex bolts and tighten securely.
15. INSTALL ENGINE PULLEY - Place belt in pulley groove and slide pulley on crankshaft. Install flat washer, bolt and tighten securely (41-47 N-m torque). Make sure belt is inside belt keeper.
16. INSTALL BELT COVER and two (2) screws. Tighten securely.
17. INSTALL DISCHARGE CHUTE - See "INSTALL DISCHARGE CHUTE / CHUTE ROTATER HEAD" in the Assembly / Pre-Operation section of this manual.

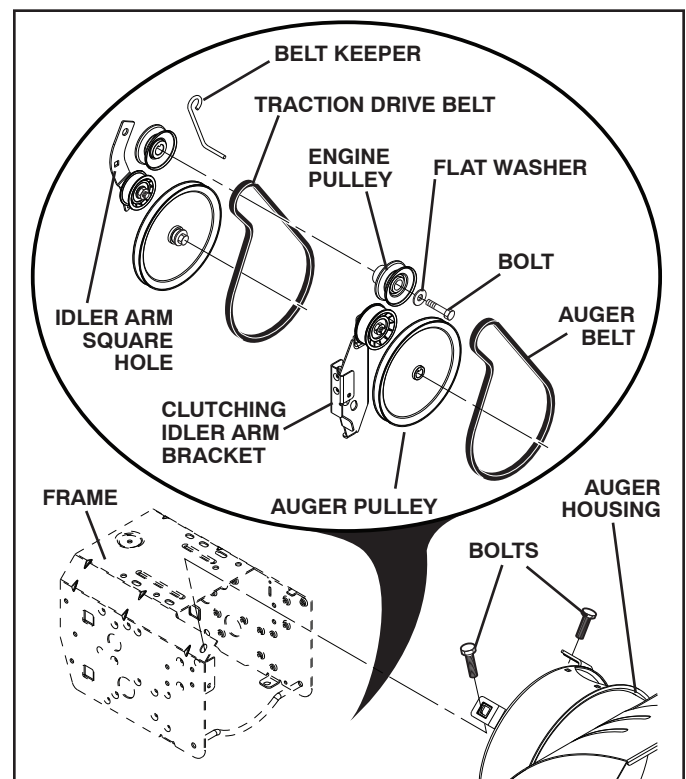


Fig. 21

# SERVICE AND ADJUSTMENTS

## TO REMOVE WHEELS (See Fig. 22)

- Remove the klik pin and remove wheel from axle.

**IMPORTANT:** When installing wheel, be sure to use the axle hole closest to the end of the shaft – *do not* use the hole in the wheel hub (if equipped). Inner hole in axle and hole in wheel hub are not used for your model snow thrower.

**NOTE:** To seal punctures or prevent flat tires due to slow leaks, tire sealant may be purchased from your local parts dealer. Tire sealant also prevents tire dry rot and corrosion.

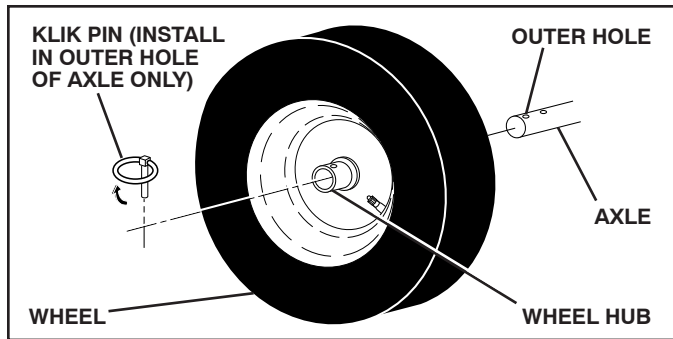


Fig. 22

**NOTE:** To seal punctures or prevent flat tires due to slow leaks, tire sealant may be purchased from your local parts dealer. Tire sealant also prevents tire dry rot and corrosion.

## ENGINE

See engine manual.

## CARBURETOR

Your carburetor is not adjustable. Engine performance should not be affected at altitudes up to 7,000 feet (2,134 meters). If your engine does not operate properly due to suspected carburetor problems, take your snow thrower to a qualified service center.

## ENGINE SPEED

Never tamper with the engine governor, which is factory set for proper engine speed. Overspeeding the engine above the factory high speed setting can be dangerous and will void the warranty. If you think the engine-governed high speed needs adjusting, contact a qualified service center, which has proper equipment and experience to make any necessary adjustments.

## TO ADJUST CABLE TENSION (See Fig. 23)

Adjust cable tension by turning the adjuster turn buckle, located on the right hand cable. Grasp the long section tightly and turn the short section to lengthen the adjuster. Adjust until cable is snug.

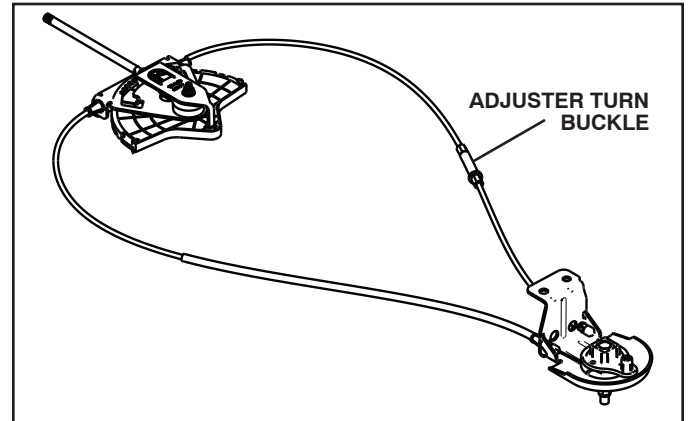


Fig. 23

# STORAGE

Immediately prepare your snow thrower for storage at the end of the season or if the unit will not be used for 30 days or more.



**WARNING: Never store the snow thrower with gasoline in the tank inside a building where fumes may reach an open flame, spark or pilot light as on a furnace, water heater, clothes dryer or gas appliance. Allow the engine to cool before storing in any enclosure.**

## SNOW THROWER

When snow thrower is to be stored for a period of time, clean it thoroughly, remove all dirt, grease, leaves, etc. Store in a clean, dry area.

1. Clean entire snow thrower (See "CLEANING" in the Maintenance section of this manual).
2. Inspect and replace belts, if necessary (See "TO REPLACE BELTS" in the Service and Adjustments section of this manual).
3. Lubricate as shown in the Maintenance section of this manual.
4. Be sure that all nuts, bolts, screws, and pins are securely fastened. Inspect moving parts for damage, breakage and wear. Replace if necessary.
5. Touch up all rusted or chipped paint surfaces; sand lightly before painting.

## ENGINE

See engine manual.

## FUEL SYSTEM

**IMPORTANT:** It is important to prevent gum deposits from forming in essential fuel system parts such as carburetor, fuel hose, or tank during storage. Also, alcohol blended fuels (called gasohol or using ethanol or methanol) can attract moisture which leads to separation and formation of acids during storage. Acidic gas can damage the fuel system of an engine while in storage.

- Empty the fuel tank by starting the engine and letting it run until the fuel lines and carburetor are empty.
- Never use engine or carburetor cleaner products in the fuel tank or permanent damage may occur.
- Use fresh fuel next season.

**NOTE:** Fuel stabilizer is an acceptable alternative in minimizing the formation of fuel gum deposits during storage. Add stabilizer to gasoline in fuel tank or storage container. Always follow the mix ratio found on stabilizer container. Run engine at least 10 minutes after adding stabilizer to allow the stabilizer to reach the carburetor. Do not empty the gas tank and carburetor if using fuel stabilizer.

## ENGINE OIL

Drain oil (with engine warm) and replace with clean engine oil. (See "ENGINE" in the Maintenance section of this manual).

## CYLINDER

1. Remove spark plug.
2. Pour one ounce (29 ml) of oil through spark plug hole into cylinder.
3. Pull recoil starter handle slowly a few times to distribute oil.
4. Replace with new spark plug.

## OTHER

- Remove safety ignition key; store it in a safe place.
- Do not store gasoline from one season to another.
- Replace your gasoline can if your can starts to rust. Rust and/or dirt in your gasoline will cause problems.
- If possible, store your snow thrower indoors and cover it to protect it from dust and dirt.
- Cover your snow thrower with a suitable protective cover that does not retain moisture. Do not use plastic. Plastic cannot breathe, which allows condensation to form and will cause your snow thrower to rust.

**IMPORTANT:** Never cover snow thrower while engine/exhaust area is still warm.

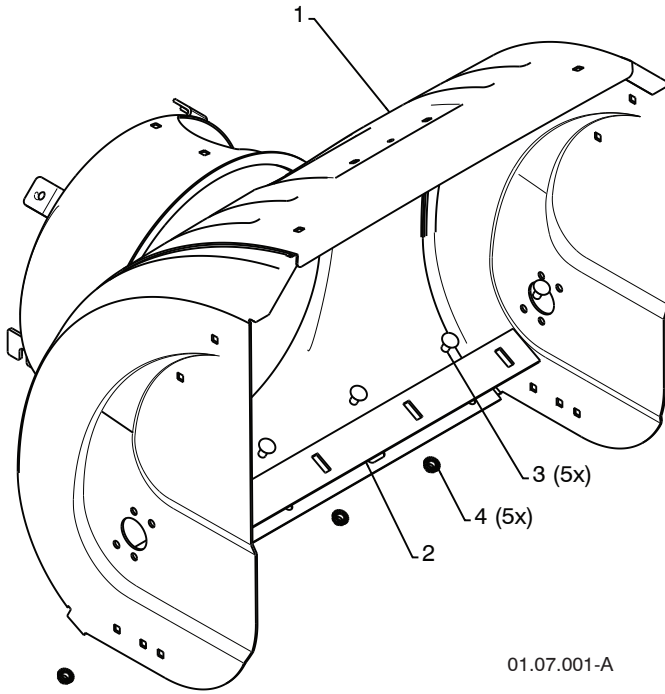
# TROUBLESHOOTING

See appropriate section in manual unless directed to an authorized service center/department.

PROBLEM	CAUSE	CORRECTION
<b>Does not start</b>	<ol style="list-style-type: none"> <li>1. Fuel shut-off valve (if so equipped) in OFF position.</li> <li>2. Safety ignition key is not inserted.</li> <li>3. Out of fuel.</li> <li>4. Throttle in STOP position (or ON/OFF switch is OFF).</li> <li>5. Choke in OFF position.</li> <li>6. Primer not depressed.</li> <li>7. Engine is flooded.</li> <li>8. Spark plug wire is disconnected.</li> <li>9. Bad spark plug.</li> <li>10. Stale fuel.</li> <li>11. Water in fuel.</li> </ol>	<ol style="list-style-type: none"> <li>1. Turn fuel shut-off valve to OPEN position.</li> <li>2. Insert safety ignition key.</li> <li>3. Fill fuel tank with fresh, clean gasoline.</li> <li>4. Move throttle to FAST position (or ON/OFF switch to ON position).</li> <li>5. Move to FULL position.</li> <li>6. Prime as instructed in the Operation section of this manual.</li> <li>7. Wait a few minutes before restarting, DO NOT prime.</li> <li>8. Connect wire to spark plug.</li> <li>9. Replace spark plug.</li> <li>10. Empty fuel tank &amp; carburetor, refill with fresh, clean gasoline.</li> <li>11. Empty fuel tank &amp; carburetor, refill with fresh, clean gasoline.</li> </ol>
<b>Loss of power</b>	<ol style="list-style-type: none"> <li>1. Spark plug wire loose.</li> <li>2. Throwing too much snow.</li> <li>3. Fuel tank cap is covered with ice or snow.</li> <li>4. Dirty or clogged muffler.</li> </ol>	<ol style="list-style-type: none"> <li>1. Reconnect spark plug wire.</li> <li>2. Reduce speed and width of swath.</li> <li>3. Remove ice and snow on and around fuel tank cap.</li> <li>4. Clean or replace muffler.</li> </ol>
<b>Engine idles or runs roughly</b>	<ol style="list-style-type: none"> <li>1. Choke is in FULL position.</li> <li>2. Blockage in fuel line.</li> <li>3. Stale fuel.</li> <li>4. Water in fuel.</li> <li>5. Carburetor is in need of adjustment or overhaul.</li> </ol>	<ol style="list-style-type: none"> <li>1. Move choke to OFF position.</li> <li>2. Clean fuel line.</li> <li>3. Empty fuel tank &amp; carburetor, refill with fresh, clean gasoline.</li> <li>4. Empty fuel tank &amp; carburetor, refill with fresh, clean gasoline.</li> <li>5. Contact an authorized service center/department.</li> </ol>
<b>Excessive vibration</b>	<ol style="list-style-type: none"> <li>1. Loose parts or damaged augers or impeller.</li> </ol>	<ol style="list-style-type: none"> <li>1. Tighten all fasteners. Replace damaged parts. If vibration remains, contact an authorized service center/department.</li> </ol>
<b>Recoil starter is hard to pull</b>	<ol style="list-style-type: none"> <li>1. Frozen recoil starter.</li> </ol>	<ol style="list-style-type: none"> <li>1. See "IF RECOIL STARTER HAS FROZEN" in the Operation section of this manual.</li> </ol>
<b>Loss of traction drive / slowing of drive speed</b>	<ol style="list-style-type: none"> <li>1. Drive belt is worn.</li> <li>2. Drive belt is off of pulley.</li> <li>3. Friction drive wheel is worn.</li> </ol>	<ol style="list-style-type: none"> <li>1. Check / replace drive belt.</li> <li>2. Check / reinstall drive belt.</li> <li>3. Contact an authorized service center/department.</li> </ol>
<b>Loss of snow discharge or slowing of snow discharge</b>	<ol style="list-style-type: none"> <li>1. Auger belt is off of pulley.</li> <li>2. Auger belt is worn.</li> <li>3. Clogged discharge chute.</li> <li>4. Augers / impeller jammed.</li> </ol>	<ol style="list-style-type: none"> <li>1. Check / reinstall auger belt.</li> <li>2. Check / replace auger belt.</li> <li>3. Clean snow chute.</li> <li>4. Remove debris or foreign object from augers / impeller.</li> </ol>

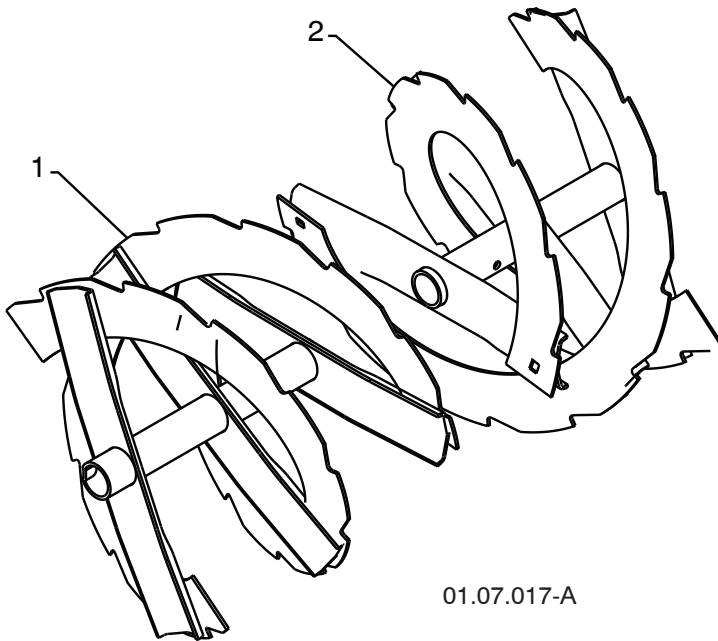
# REPAIR PARTS SNOW THROWER - MODEL NUMBER PP208EPS24 (96198002702)

## AUGER HOUSING / IMPELLER ASSEMBLY



KEY NO.	PART NO.	DESCRIPTION
1	404928X428	AUGER HOUSING
2	404931X431	SCRAPPER BAR
3	72270505	CARRIAGE BOLT 5/16-18 X .625
4	155377	NUT 5/16-18

01.07.001-A



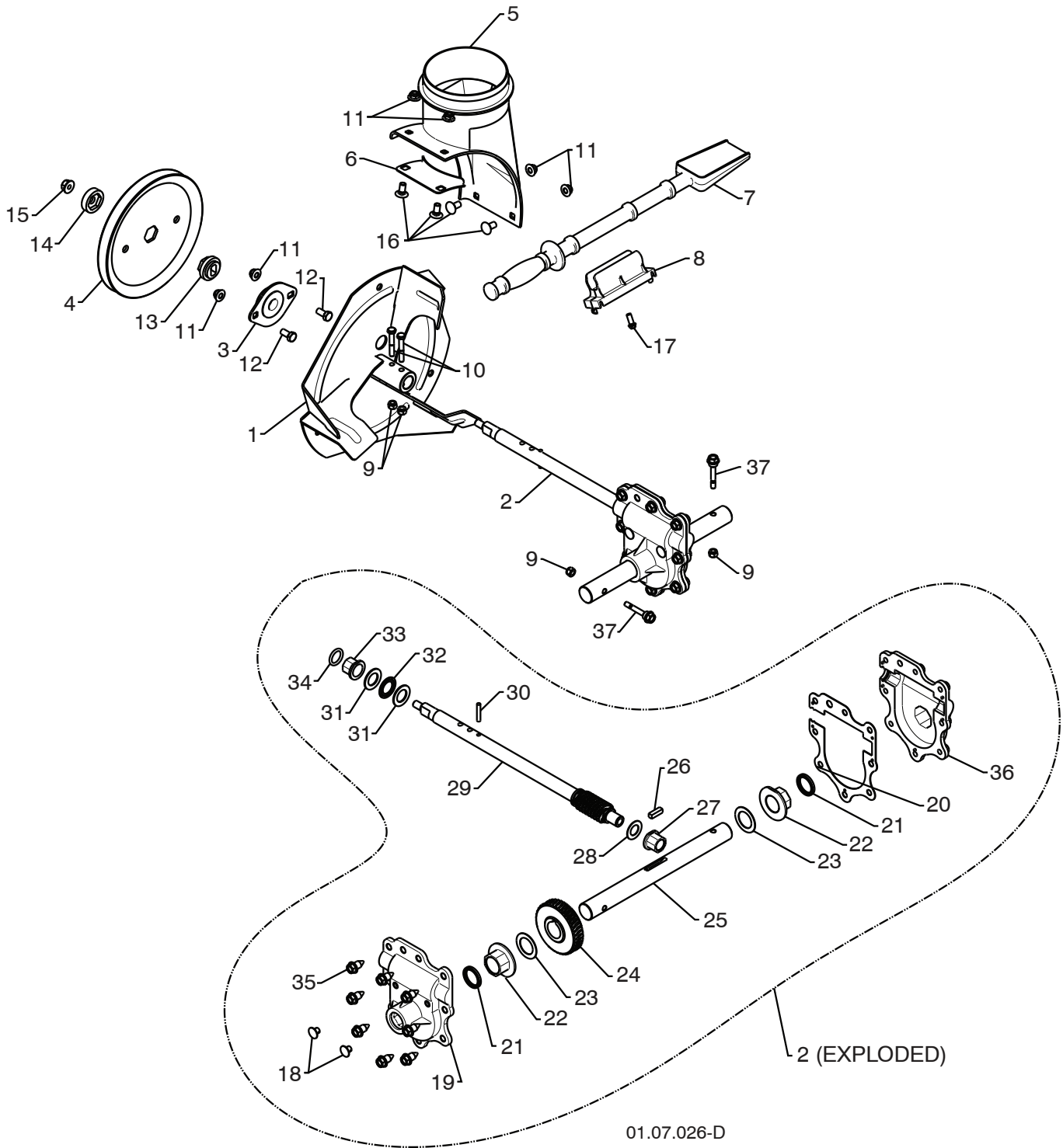
KEY NO.	PART NO.	DESCRIPTION
1	420493X479	AUGER ASSEMBLY LH 24
2	420494X479	AUGER ASSEMBLY RH 24

01.07.017-A

**NOTE:** All component dimensions given in U.S. inches. 1 inch = 25.4 mm  
**IMPORTANT:** Use only Original Equipment Manufacturer (O.E.M.) replacement parts.  
 Failure to do so could be hazardous, damage your snow thrower and void your warranty.

# REPAIR PARTS SNOW THROWER - MODEL NUMBER PP208EPS24 (96198002702)

## AUGER HOUSING / IMPELLER ASSEMBLY



**NOTE:** All component dimensions given in U.S. inches. 1 inch = 25.4 mm  
**IMPORTANT:** Use only Original Equipment Manufacturer (O.E.M.) replacement parts.  
 Failure to do so could be hazardous, damage your snow thrower and void your warranty.

# REPAIR PARTS SNOW THROWER - MODEL NUMBER PP208EPS24 (96198002702)

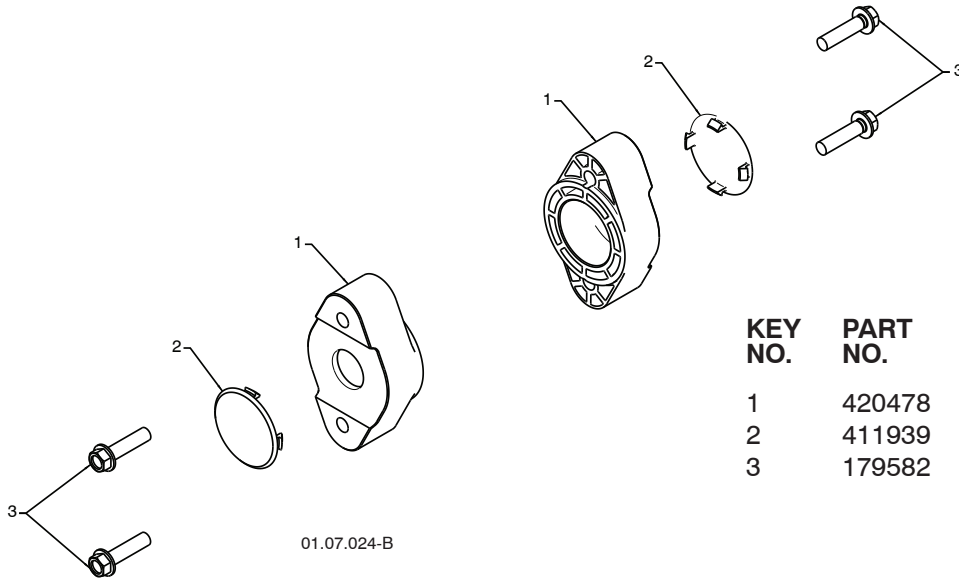
## AUGER HOUSING / IMPELLER ASSEMBLY

KEY NO.	PART NO.	DESCRIPTION
1	175321X431	IMPELLER
2	427148	GEARBOX ASSEMBLY
3	188909	BEARING
4	427146	IMPELLER PULLEY
5	175322	DISCHARGE BASE
6	178675X431	CORNER BRACKET
7	192199	CLEAN OUT TOOL
8	405400	TOOL CLIP
9	73800400	NUT 1/4-20
10	74780426	SCREW 1/4-20 X .625
11	427942	NUT 5/16-18
12	163183	SCREW 5/16-18 X .625
13	427145	IMPELLER HUB
14	427154	IMPELLER SLEEVE
15	73900600	NUT 3/8-16
16	180355	CARRIAGE BOLT
17	194189	SCREW 13-16 X .625
18	407760	PLUG
19	427302	GEARBOX COVER RH
20	427345	GASKET
21	407770	SEAL
22	407762	BEARING
23	174697	THRUST WASHER 1.00
24	407763	WORM GEAR
25	407764	AUGER SHAFT
26	189282	SQUARE KEY
27	407758	BEARING
28	174683	THRUST WASHER
29	427147	IMPELLER SHAFT
30	184205	ROLL PIN
31	174681	THRUST WASHER
32	174684	THRUST BEARING
33	407769	BEARING
34	407768	O-RING
35	407767	SCREW 5/16-18 X .750
36	427317	GEARBOX COVER LH
37	192090	SHEAR BOLT

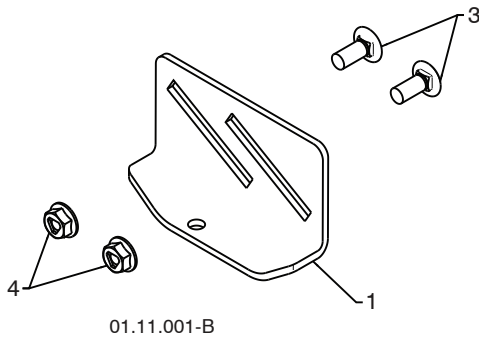
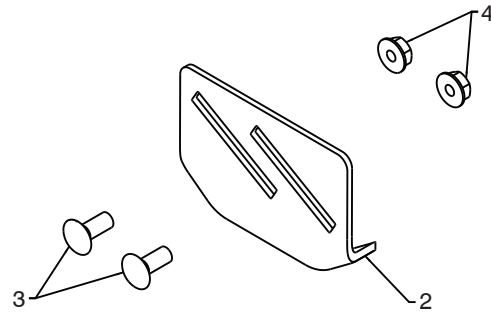
**NOTE:** All component dimensions given in U.S. inches. 1 inch = 25.4 mm  
**IMPORTANT:** Use only Original Equipment Manufacturer (O.E.M.) replacement parts.  
 Failure to do so could be hazardous, damage your snow thrower and void your warranty.

# REPAIR PARTS SNOWTHROWER - MODEL NUMBER PP208EPS24 (96198002702)

## AUGER HOUSING / IMPELLER ASSEMBLY



KEY NO.	PART NO.	DESCRIPTION
1	420478	AUGER BEARING
2	411939	BEARING PLUG
3	179582	SCREW 5/16-18 X 1.00



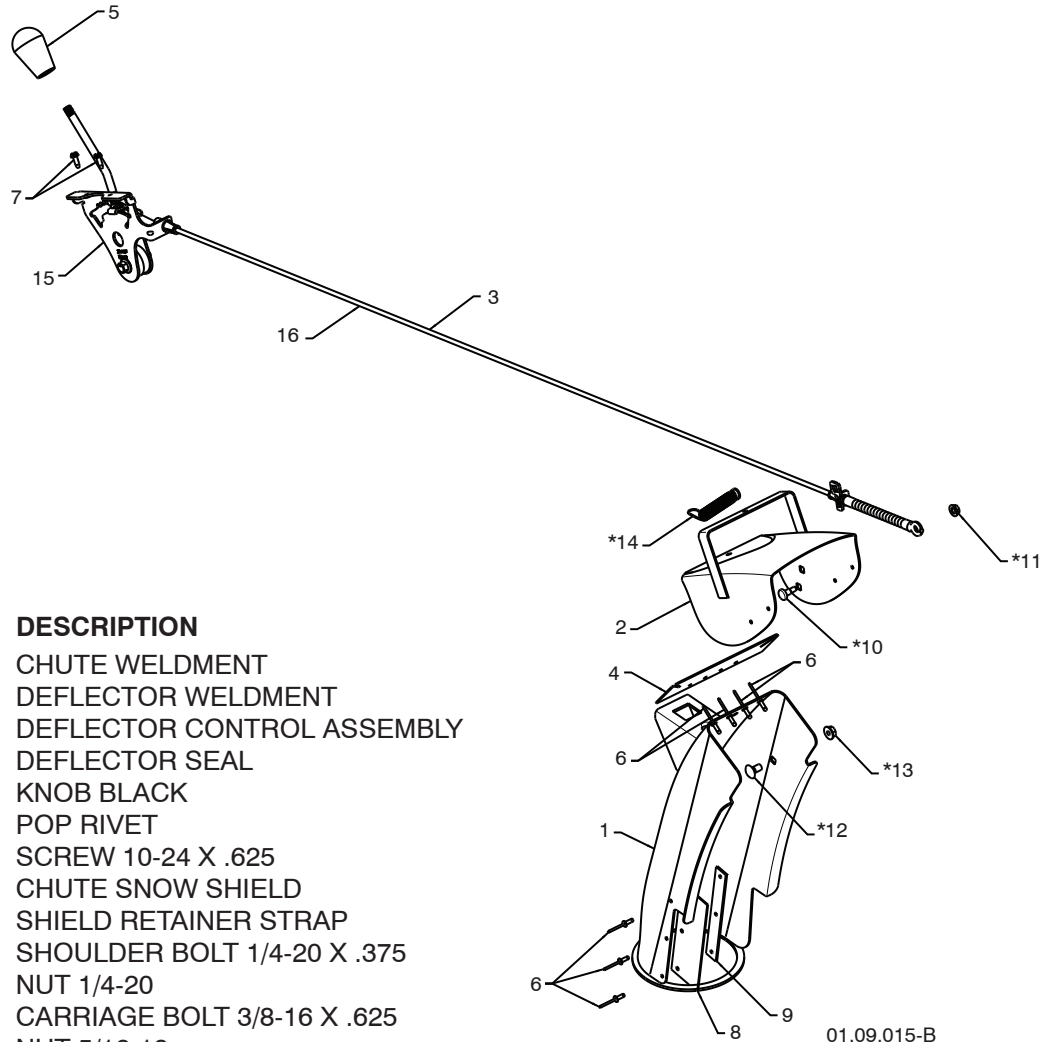
KEY NO.	PART NO.	DESCRIPTION
1	174762X431	SKID PLATE LH
2	178777X431	SKID PLATE RH
3	72270506	CARRIAGE BOLT 5/16-18 X .75
4	751153	NUT 5/16-18

**NOTE:** All component dimensions given in U.S. inches. 1 inch = 25.4 mm  
**IMPORTANT:** Use only Original Equipment Manufacturer (O.E.M.) replacement parts.  
 Failure to do so could be hazardous, damage your snow thrower and void your warranty.



# REPAIR PARTS SNOW THROWER - MODEL NUMBER PP208EPS24 (96198002702)

## CONTROL PANEL / CHUTE



KEY NO.	PART NO.	DESCRIPTION
1	435023X428	CHUTE WELDMENT
2	178633X428	DEFLECTOR WELDMENT
3	420673	DEFLECTOR CONTROL ASSEMBLY
4	420325	DEFLECTOR SEAL
5	414280	KNOB BLACK
6	128415	POP RIVET
7	17501010	SCREW 10-24 X .625
8	430324	CHUTE SNOW SHIELD
9	419822X431	SHIELD RETAINER STRAP
*10	179829	SHOULDER BOLT 1/4-20 X .375
*11	191730	NUT 1/4-20
*12	72250505	CARRIAGE BOLT 3/8-16 X .625
*13	751153	NUT 5/16-18
*14	184505	DEFLECTOR SPRING
15	420679	(SERVICE PART) DEFLECTOR CONTROL
16	420672	(SERVICE PART) DEFLECTOR CABLE BLACK

01.09.015-B

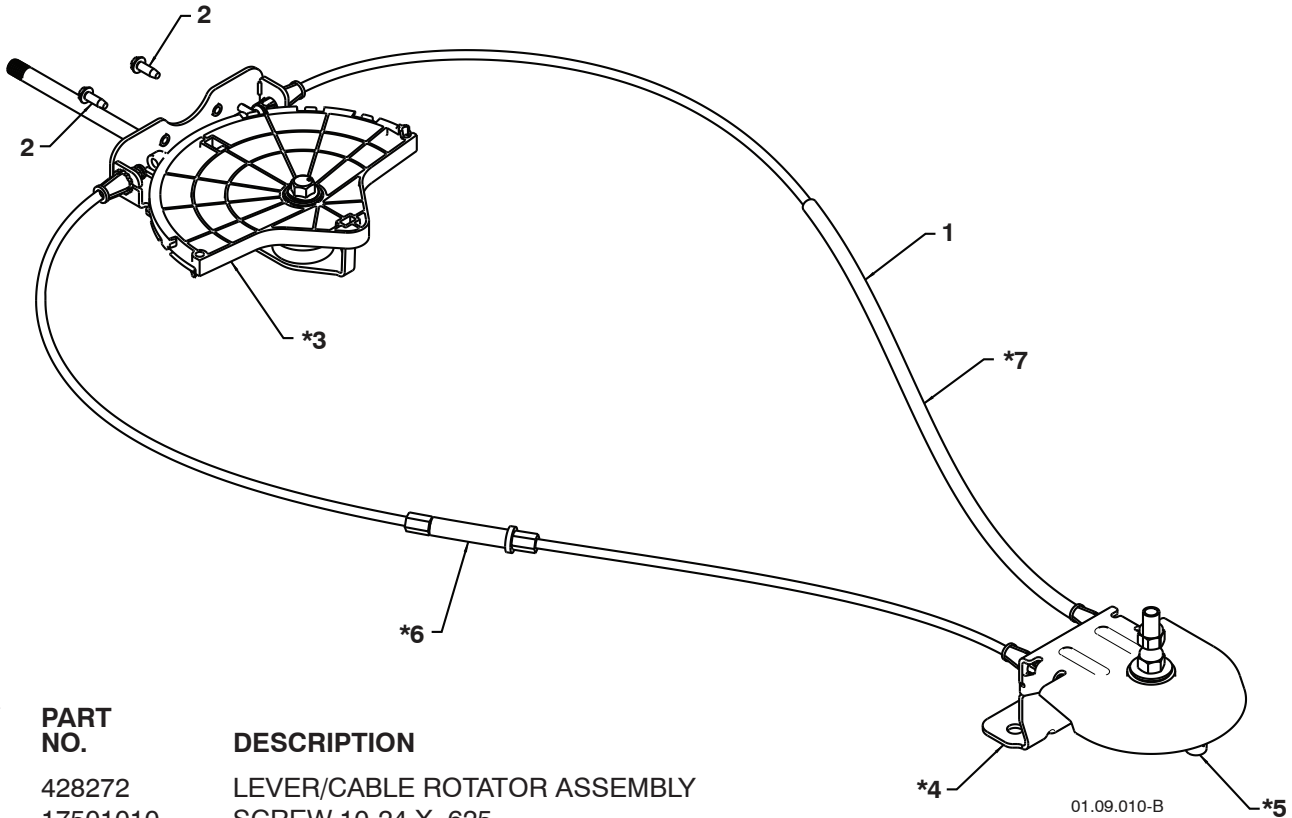
### NOTE:

1. ALL ITEMS INDICATED WITH AN \* ARE PROVIDED IN THE BAG OF ITEMS SHIPPED LOOSE WITH PRODUCT.
2. ITEMS 15 AND 16 ARE SERVICE PART NUMBERS TO ALLOW PURCHASE OF INDIVIDUAL ITEMS IF NECESSARY.

**NOTE:** All component dimensions given in U.S. inches. 1 inch = 25.4 mm  
**IMPORTANT:** Use only Original Equipment Manufacturer (O.E.M.) replacement parts.  
 Failure to do so could be hazardous, damage your snow thrower and void your warranty.

# REPAIR PARTS SNOW THROWER - MODEL NUMBER PP208EPS24 (96198002702)

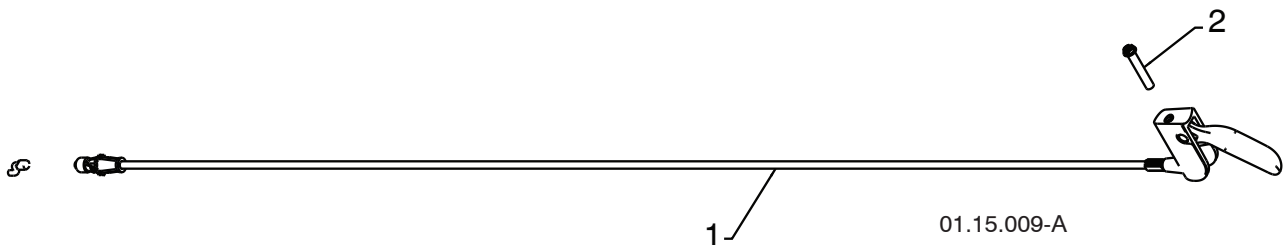
## CONTROL PANEL / CHUTE



KEY NO.	PART NO.	DESCRIPTION
1	428272	LEVER/CABLE ROTATOR ASSEMBLY
2	17501010	SCREW 10-24 X .625
*3	420678	ROTATOR HEAD
*4	405932	ROTATOR PIVOT BRACKET
*5	420675	PULLEY PIVOT
*6	428273	CABLE ASSEMBLY ADJUSTABLE
*7	428310	CABLE ASSEMBLY HEAT SHIELD

### NOTES:

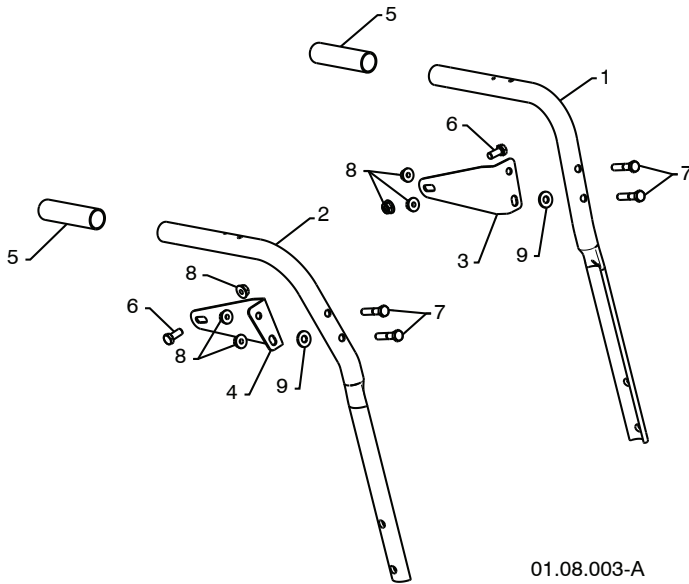
1. ITEMS INDICATED WITH AN \* ARE LISTED AS REFERENCE FOR SERVICE PARTS ONLY.



KEY NO.	PART NO.	DESCRIPTION
1	421249	STEER CABLE
2	74041024	SCREW 10-24 X 1.50

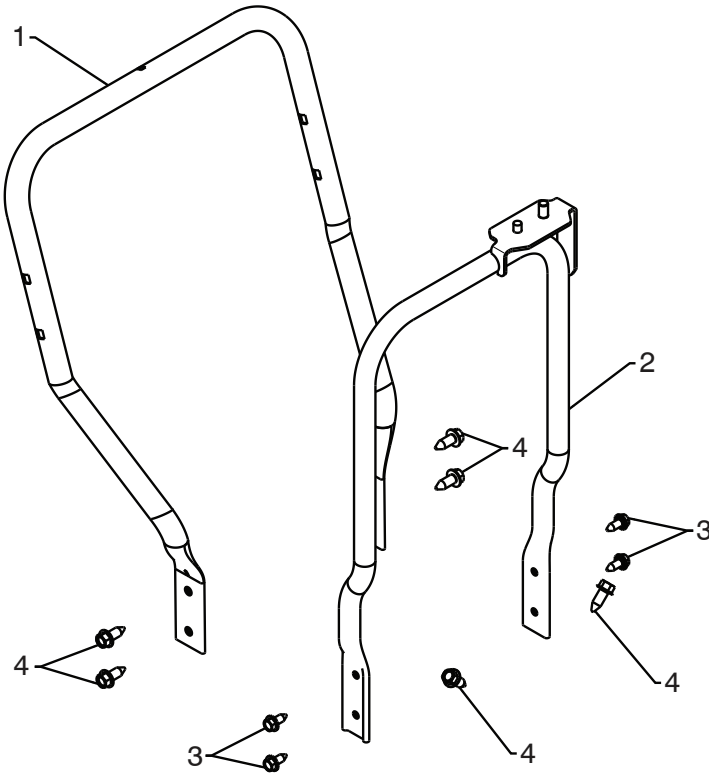
**NOTE:** All component dimensions given in U.S. inches. 1 inch = 25.4 mm  
**IMPORTANT:** Use only Original Equipment Manufacturer (O.E.M.) replacement parts.  
 Failure to do so could be hazardous, damage your snow thrower and void your warranty.

# REPAIR PARTS SNOW THROWER - MODEL NUMBER PP208EPS24 (96198002702) HANDLES



KEY NO.	PART NO.	DESCRIPTION
1	419800X431	PLOW HANDLE LH
2	419801X431	PLOW HANDLE RH
3	196944X431	PANEL BRACKET LH
4	196943X431	PANEL BRACKET RH
5	199513	HANDLE GRIP
6	74780512	SCREW 5/16-18 X .750
7	74780524	SCREW 5/16-18 X 1.50
8	751153	NUT 5/16-18
9	155415	WASHER

01.08.003-A



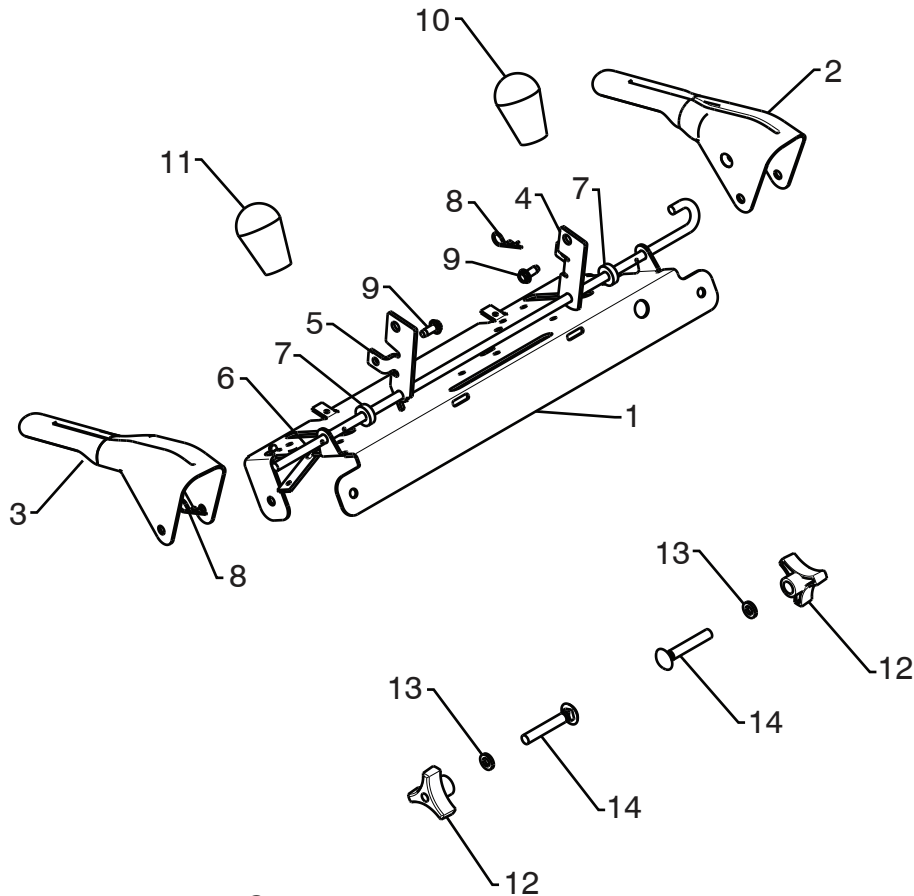
KEY NO.	PART NO.	DESCRIPTION
1	419797X431	LOWER HANDLE
2	427513X431	PIVOT SUPPORT WELDMENT
3	428867	SCREW 5/16-18 X .750
4	17000616	SCREW 3/8-16 X 1.00

01-05-013-A

**NOTE:** All component dimensions given in U.S. inches. 1 inch = 25.4 mm  
**IMPORTANT:** Use only Original Equipment Manufacturer (O.E.M.) replacement parts.  
 Failure to do so could be hazardous, damage your snow thrower and void your warranty.

# REPAIR PARTS SNOW THROWER - MODEL NUMBER PP208EPS24 (96198002702)

## HANDLES

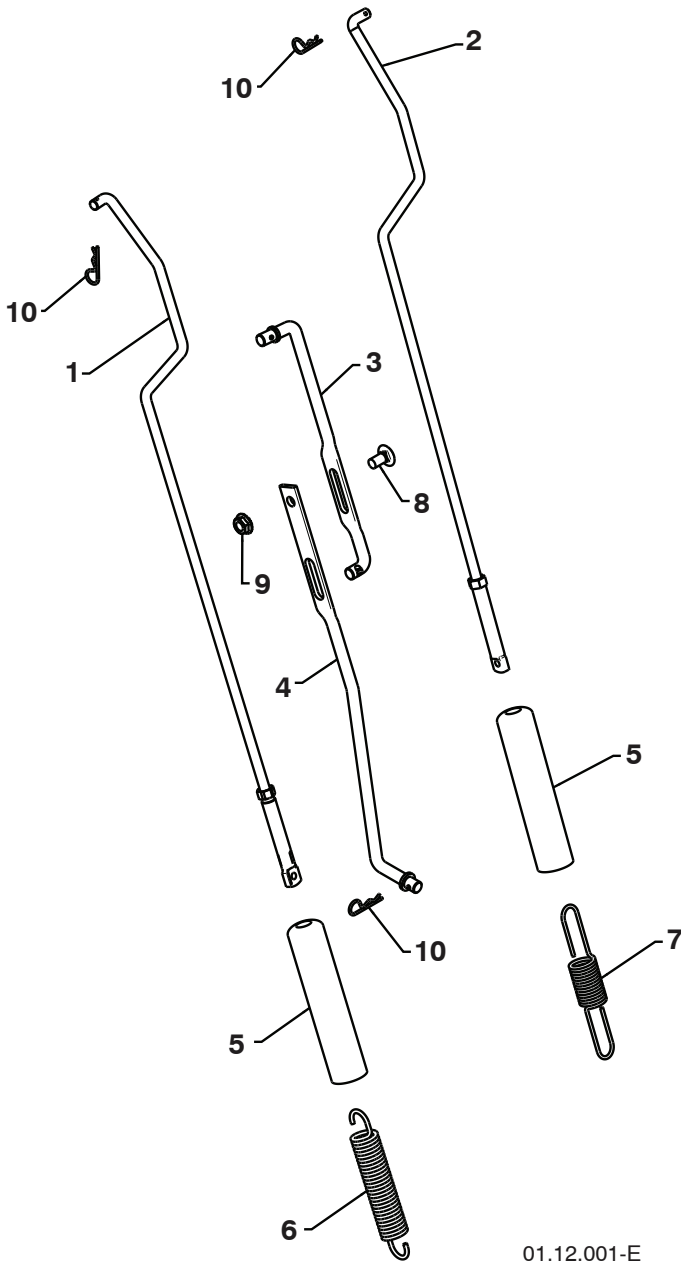


01.08.002-G

KEY NO.	PART NO.	DESCRIPTION
1	412683X431	CONTROL PANEL
2	424517X431	CONTROL LEVER LH
3	424516X431	CONTROL LEVER RH
4	412679X008	TRACTION ROD ARM
5	426918X008	IMPELLER ROD ARM
6	412677	INTERLOCK BAIL
7	421613	SPACER
8	169675	RETAINER
9	17060410	SCREW 1/4-20 X .62
10	414280	KNOB BLACK
11	414281	KNOB RED
12	178899	HANDLE KNOB
13	19131316	WASHER 3/8
14	72120618	CARRIAGE BOLT 3/8-16 X 2.25

**NOTE:** All component dimensions given in U.S. inches. 1 inch = 25.4 mm  
**IMPORTANT:** Use only Original Equipment Manufacturer (O.E.M.) replacement parts.  
 Failure to do so could be hazardous, damage your snow thrower and void your warranty.

# REPAIR PARTS SNOW THROWER - MODEL NUMBER PP208EPS24 (96198002702) HANDLES



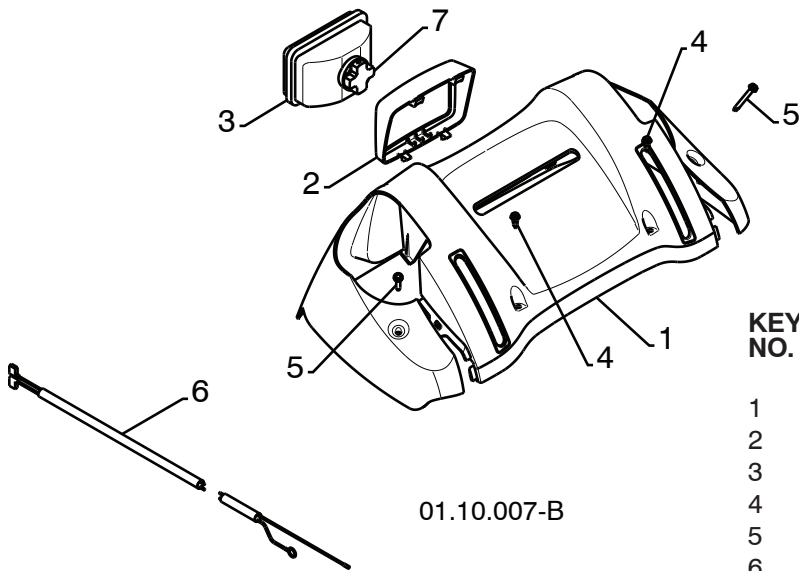
KEY NO.	PART NO.	DESCRIPTION
1	180480	IMPELLER ROD
2	405740	TRACTION ROD
3	180445	SHIFTER ROD TOP
4	187716	SHIFTER ROD BOTTOM
5	180447	SPRING SLEEVE
6	178669	IMPELLER SPRING
7	180926	TRACTION SPRING
8	72270505	CARRIAGE BOLT 5/16-18 X .75
9	155377	NUT 5/16-18
10	169675	RETAINER

01.12.001-E

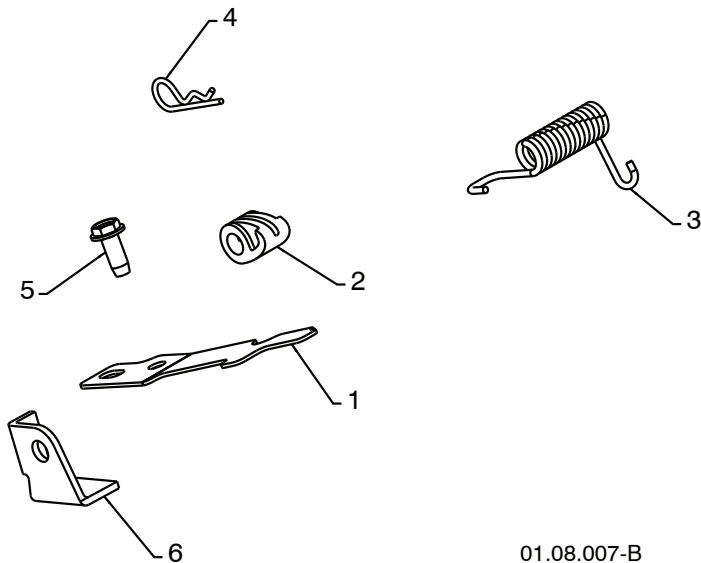
**NOTE:** All component dimensions given in U.S. inches. 1 inch = 25.4 mm  
**IMPORTANT:** Use only Original Equipment Manufacturer (O.E.M.) replacement parts.  
 Failure to do so could be hazardous, damage your snow thrower and void your warranty.

# REPAIR PARTS SNOW THROWER - MODEL NUMBER PP208EPS24 (96198002702)

## HANDLES



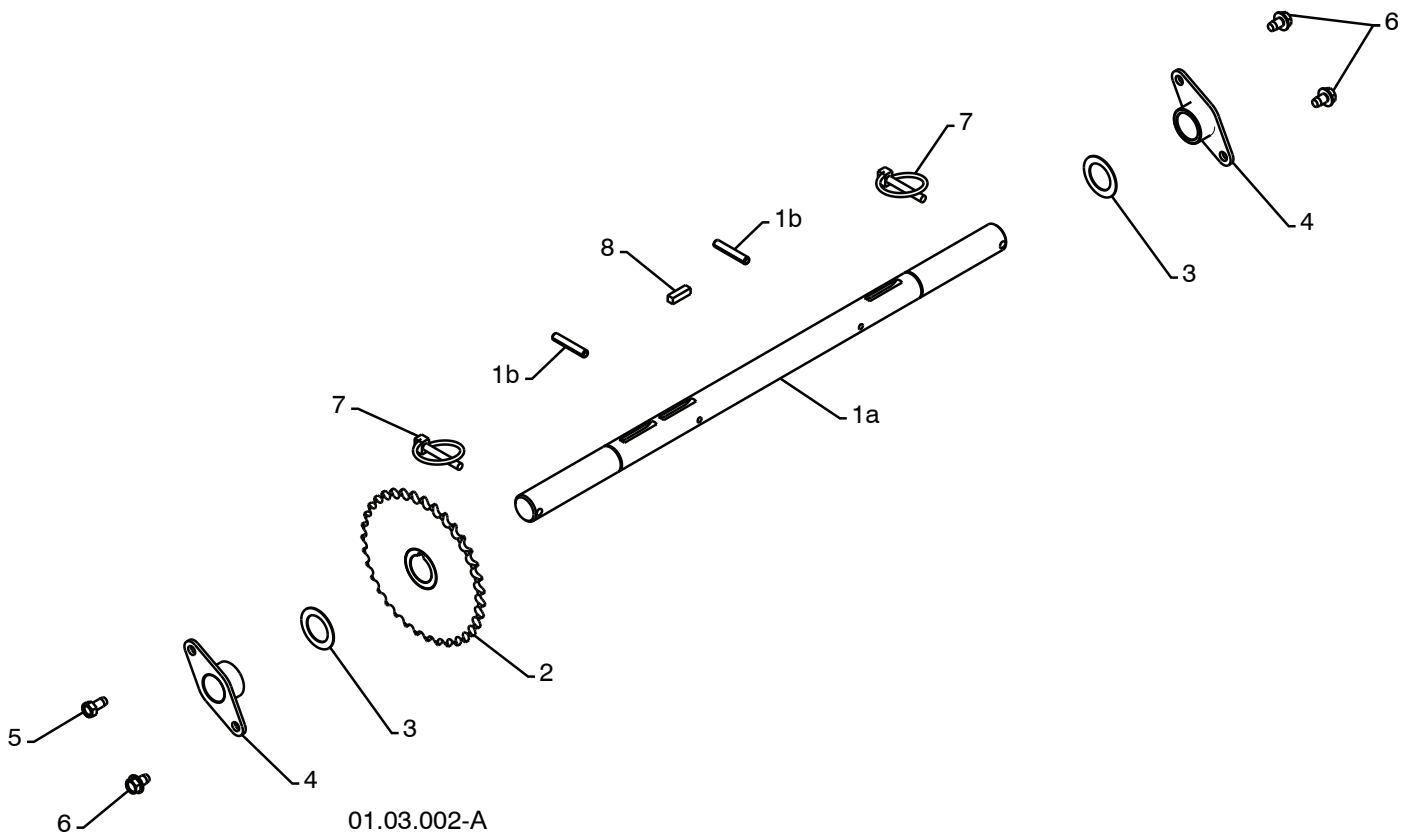
KEY NO.	PART NO.	DESCRIPTION
1	182906	CONSOLE PANEL
2	178668	HEADLIGHT BEZEL
3	180927	FLOOD HEADLIGHT
4	184471	SHOULDER SCREW 10-24 X .625
5	175262	SCREW 10-24 X 1.25
6	178770	WIRE HARNESS
7	183784	BULB



KEY NO.	PART NO.	DESCRIPTION
1	412675X431	INTERLOCK SPRING
2	414572	INTERLOCK CAM
3	178831	TORSION SPRING
4	169675	RETAINER
5	17060410	SCREW 1/4-20 X .625
6	421252X431	INTERLOCK STOP

**NOTE:** All component dimensions given in U.S. inches. 1 inch = 25.4 mm  
**IMPORTANT:** Use only Original Equipment Manufacturer (O.E.M.) replacement parts.  
 Failure to do so could be hazardous, damage your snow thrower and void your warranty.

# REPAIR PARTS SNOW THROWER - MODEL NUMBER PP208EPS24 (96198002702) DRIVE

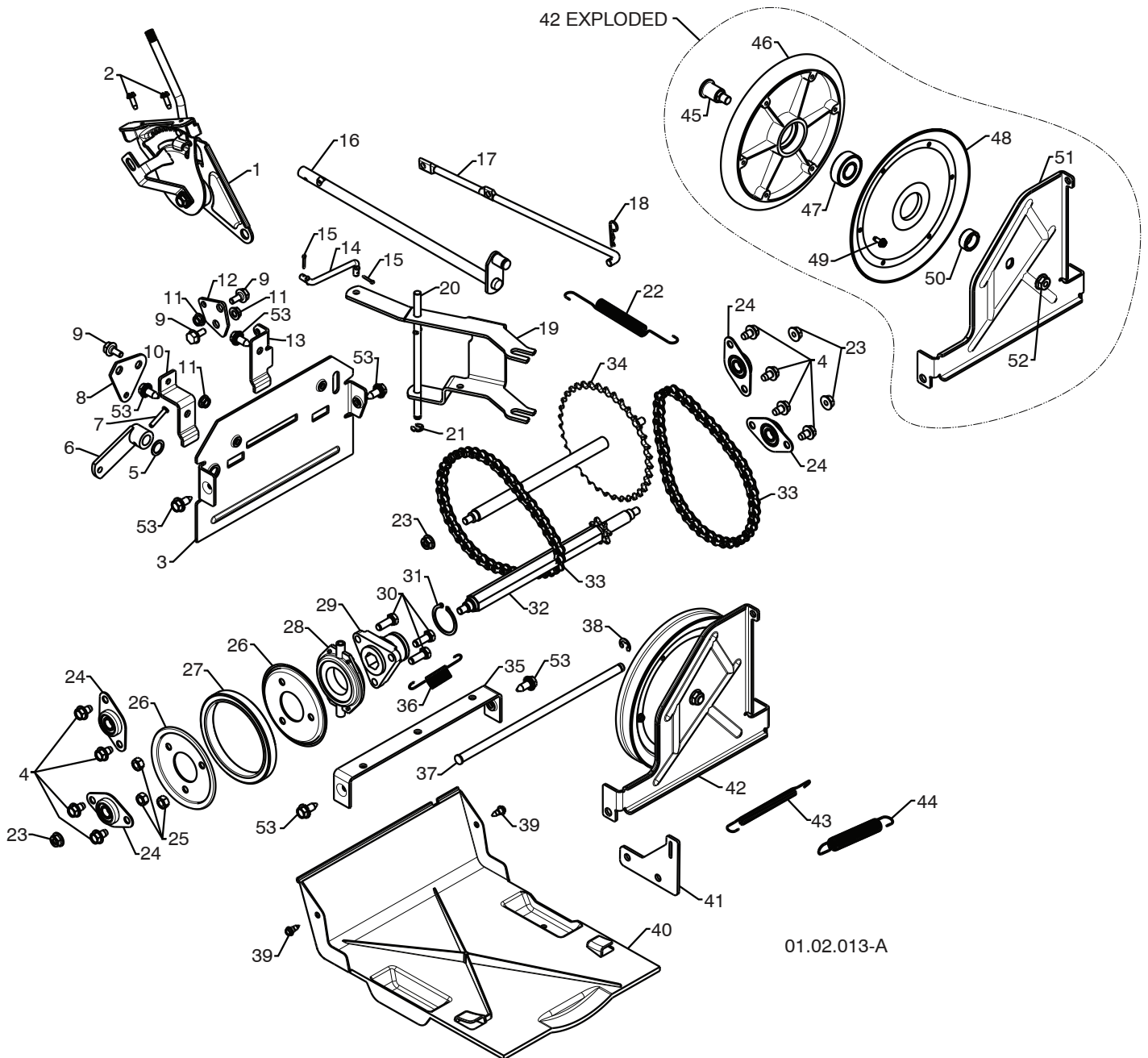


KEY NO.	PART NO.	DESCRIPTION
1	404923	AXLE ASSEMBLY (assy of 1a,1b)
1a	404307	AXLE SHAFT
1b	184206	ROLL PIN 3/16 X 1.50
2	402691	SPROCKET
3	174697	THRUST WASHER
4	179830	BEARING
5	146315	SCREW 5/16-18 X .625
6	17490508	SCREW 5/16-18 X .500
7	155443	KLIK PIN 1/4 X 1.50
8	189282	SQUARE KEY

**NOTE:** All component dimensions given in U.S. inches. 1 inch = 25.4 mm  
**IMPORTANT:** Use only Original Equipment Manufacturer (O.E.M.) replacement parts.  
 Failure to do so could be hazardous, damage your snow thrower and void your warranty.

# REPAIR PARTS SNOW THROWER - MODEL NUMBER PP208EPS24 (96198002702)

## DRIVE



**NOTE:** All component dimensions given in U.S. inches. 1 inch = 25.4 mm  
**IMPORTANT:** Use only Original Equipment Manufacturer (O.E.M.) replacement parts.  
 Failure to do so could be hazardous, damage your snow thrower and void your warranty.



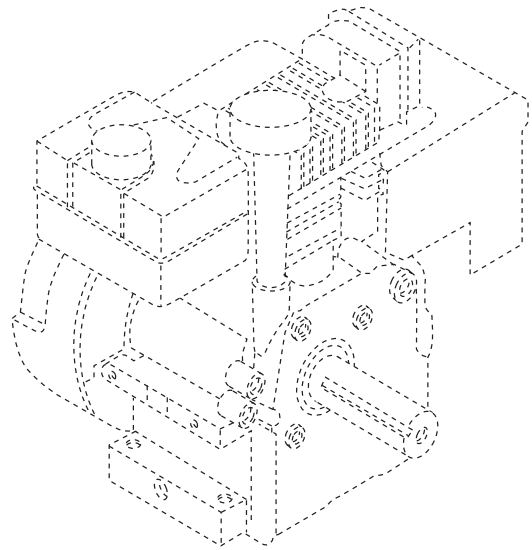
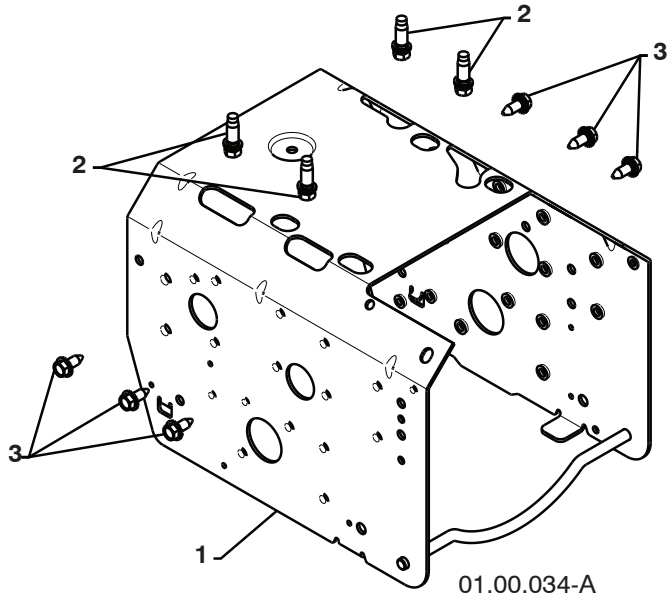
# REPAIR PARTS SNOW THROWER - MODEL NUMBER PP208EPS24 (96198002702) DRIVE

KEY NO.	PART NO.	DESCRIPTION	KEY NO.	PART NO.	DESCRIPTION
1	198875	SPEED SELECTOR ASSEMBLY	28	175344	BEARING
2	17501010	SCREW 10-24 X .625	29	178613	WHEEL HUB
3	402685X428	END PLATE	30	74760514	SCREW 5/16-18-.875
4	17490508	SCREW 5/16-18 X .50	31	12000012	RETAINER RING
5	57079	WASHER	32	402187	SPROCKET SHAFT
6	405485	CONTROL ARM	33	401619	CHAIN
7	198580	CLEVIS PIN	34	417234	SPROCKET WELDMENT
8	403097X431	SHIFTER PLATE	35	401984X431	SHIFTER BRACKET
9	402881	SHOULDER BOLT	36	180135	SPRING
10	403096X431	SHIFTER BRACKET	37	402652	PLATE PIVOT ROD
11	191730	NUT 1/4-20	38	428288	E-RING .375
12	402856X431	CLUTCH PLATE	39	184471	SHOULDER SCREW
13	416717X431	CLUTCH BRACKET	40	410877	BOTTOM PAN
14	187101	SHIFTER LINK	41	413429X431	SPRING BRACKET
15	700279	RETAINER	42	402689	DRIVE PLATE ASSEMBLY
16	427542	CONTROL SHAFT	43	414557	IDLER SPRING
17	402568	CLUTCH ROD	44	178828	IDLER SPRING
18	169675	RETAINER	45	402504	PULLEY SHAFT
19	401732	SHIFTER YOKE	46	401820	DRIVE PLATE
20	402310	PIVOT ROD	47	198791	BEARING
21	12000036	RETAINER	48	402393	PULLEY HALF
22	402878	RETURN SPRING	49	17541008	SCREW 10-24 X .50
23	751153	NUT 5/16-18	50	402511	SPACER BEARING
24	408981	BEARING	51	418894X431	SWING PLATE
25	73930500	NUT 5/16-18	52	132010	NUT 3/8-16
26	198176X431	RUBBER WHEEL PLATE	53	428867	SCREW 5/16-18 X .750
27	179831	RUBBER RING			

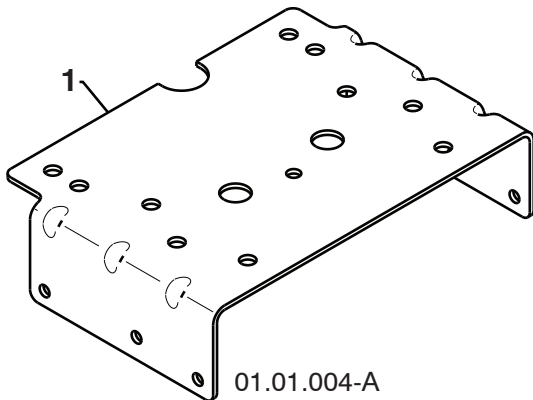
**NOTE:** All component dimensions given in U.S. inches. 1 inch = 25.4 mm  
**IMPORTANT:** Use only Original Equipment Manufacturer (O.E.M.) replacement parts.  
 Failure to do so could be hazardous, damage your snow thrower and void your warranty.

# REPAIR PARTS SNOW THROWER - MODEL NUMBER PP208EPS24 (96198002702)

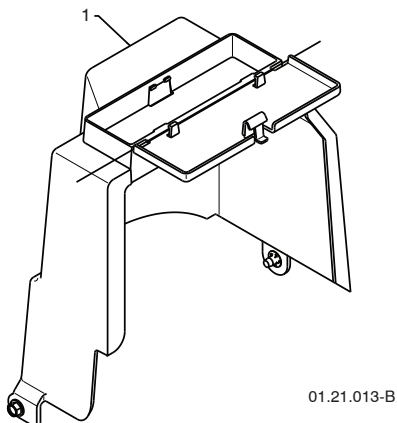
## CHASSIS / ENGINE / PULLEYS



KEY NO.	PART NO.	DESCRIPTION
--	436266	COMPLETE LCT ENGINE
1	418694X428	FRAME
2	150406	BOLT 3/8-16
3	428867	SCREW 5/16-18 X .750



KEY NO.	PART NO.	DESCRIPTION
1	427963X428	ENGINE MOUNTING PLATE

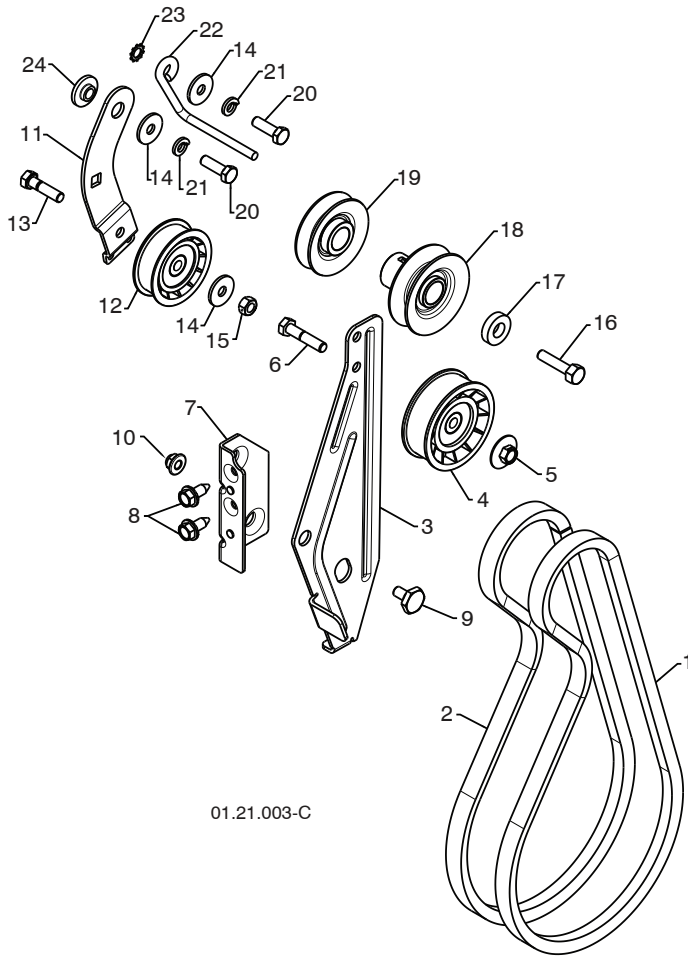


KEY NO.	PART NO.	DESCRIPTION
1	428684	COVER ASSEMBLY

**NOTE:** All component dimensions given in U.S. inches. 1 inch = 25.4 mm  
**IMPORTANT:** Use only Original Equipment Manufacturer (O.E.M.) replacement parts.  
 Failure to do so could be hazardous, damage your snow thrower and void your warranty.

# REPAIR PARTS SNOW THROWER - MODEL NUMBER PP208EPS24 (96198002702)

## CHASSIS / ENGINE / PULLEYS



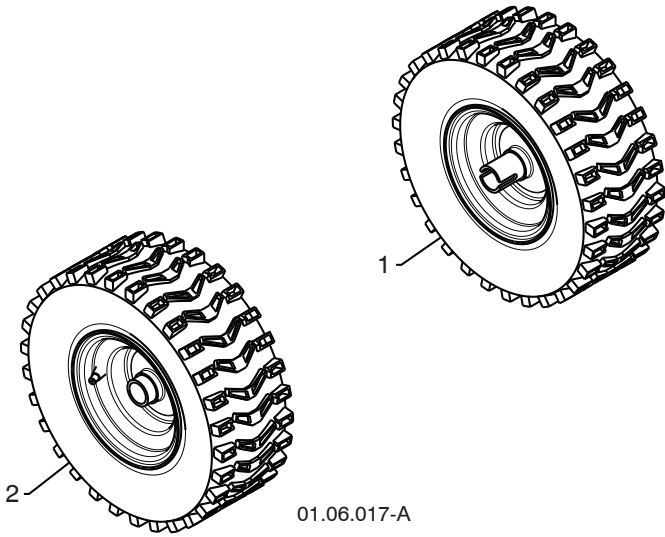
01.21.003-C

KEY NO.	PART NO.	DESCRIPTION
1	408007	IMPELLER BELT
2	419744	TRACTION BELT
3	423723X431	IDLER ARM BRACKET
4	180523	IDLER PULLEY
5	426589	NUT 5/16-18
6	74780524	SCREW 5/16-18 X 1 .50
7	423990X431	IDLER BRACKET
8	428867	SCREW 5/16-18 X .625
9	424297	SHOULDERBOLT 5/16-18 X .500
10	751153	NUT 5/16-18 NYLOCK
11	187786	TRACTION IDLER ARM
12	180522	TRACTION PULLEY
13	74780520	SCREW 5/16-18 X 1 .00
14	59289	WASHER
15	73800500	NUT 5/16-18
16	851084	SCREW 3/8-24 X 1.375
17	400026	WASHER
18	426491	PULLEY ENG IMPELLER
19	426490	PULLEY ENG TRACTION
20	74610516	SCREW 5/16-18 X 1 .00
21	10040500	LOCKWASHER 5/16
22	155452	BELT GUIDE
23	11050500	LOCKWASHER 5/16
24	175331	IDLER BUSHING

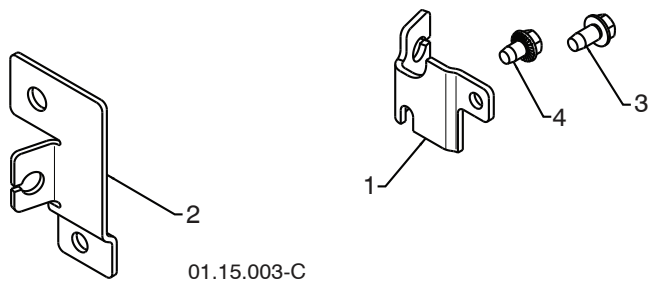
**NOTE:** All component dimensions given in U.S. inches. 1 inch = 25.4 mm  
**IMPORTANT:** Use only Original Equipment Manufacturer (O.E.M.) replacement parts.  
 Failure to do so could be hazardous, damage your snow thrower and void your warranty.

# REPAIR PARTS SNOW THROWER - MODEL NUMBER PP208EPS24 (96198002702)

## WHEELS



KEY NO.	PART NO.	DESCRIPTION
1	432333X421	WHEEL ASSEMBLY LH
2	432334X421	WHEEL ASSEMBLY RH

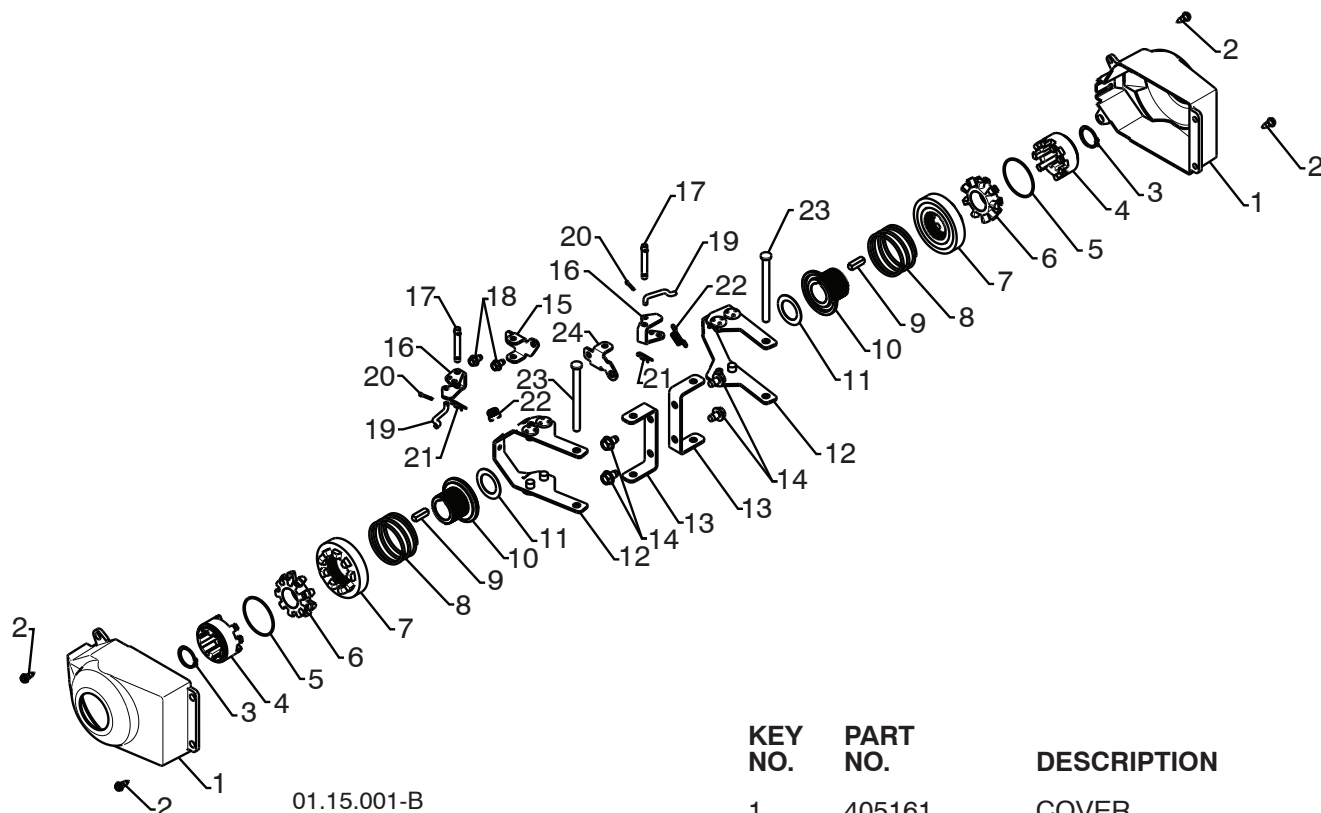


KEY NO.	PART NO.	DESCRIPTION
1	410293	CABLE BRACKET LH
2	410294	CABLE BRACKET RH
3	17490408	SCREW 1/4-20 X .500
4	17600406	SCREW 1/4-20 X .375

**NOTE:** All component dimensions given in U.S. inches. 1 inch = 25.4 mm  
**IMPORTANT:** Use only Original Equipment Manufacturer (O.E.M.) replacement parts.  
 Failure to do so could be hazardous, damage your snow thrower and void your warranty.

# REPAIR PARTS SNOW THROWER - MODEL NUMBER PP208EPS24 (96198002702)

## WHEELS

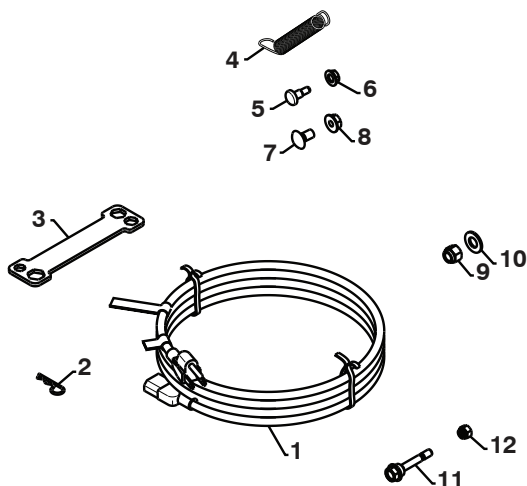


KEY NO.	PART NO.	DESCRIPTION
1	405161	COVER
2	184471	SHOULDER SCREW
3	12000045	RETAINER RING
4	192126	WHEEL DRIVER
5	182466	RETAINER RING
6	187622	WHEEL LOBE
7	194941	CLUTCH SLIDE
8	179139	SPRING
9	189282	SQUARE KEY
10	194940	AXLE LOBE
11	174697	THRUST WASHER
12	193506X431	STEERING YOKE
13	179148X431	STEERING BRACKET
14	17490508	SCREW 5/16-18 X .50
15	194943X008	PIVOT BRACKET
16	194944X008	BELLCRANK
17	181847	BELLCRANK PIN
18	17600406	SCREW 1/4-20 X .375
19	405077	STEERING LINK
20	700279	RETAINER
21	85179	RETAINER
22	193885	SPRING
23	182015	LEVER PIN
24	194939X008	PIVOT BRACKET

**NOTE:** All component dimensions given in U.S. inches. 1 inch = 25.4 mm  
**IMPORTANT:** Use only Original Equipment Manufacturer (O.E.M.) replacement parts.  
 Failure to do so could be hazardous, damage your snow thrower and void your warranty.

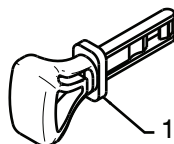
# REPAIR PARTS SNOW THROWER - MODEL NUMBER PP208EPS24 (96198002702)

## BAG OF PARTS



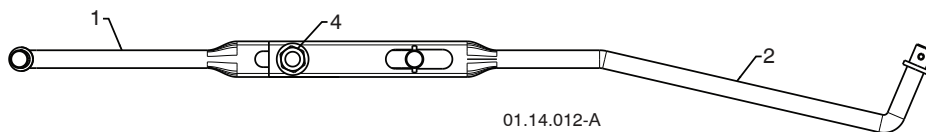
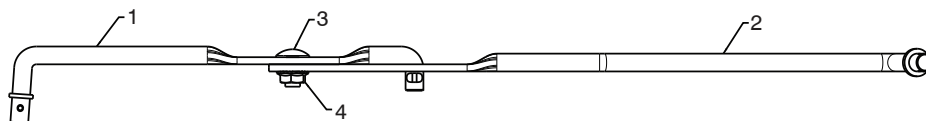
01.14.003-B

KEY NO.	PART NO.	DESCRIPTION
1	198563	POWER CORD
2	169675	RETAINER PIN
3	180684	WRENCH
4	184505	REMOTE SPRING
5	179829	SHOULDER BOLT 1/4-20
6	191730	LOCKNUT 1/4-20
7	72250505	CARRIAGE BOLT 5/16-18 X 5/8
8	751153	LOCKNUT 5/16-18
9	73800600	LOCKNUT 3/8-16
10	19131316	WASHER 3/8
11	192090	SHEAR BOLT 1/4-20 X 1-13/16
12	73800400	LOCKNUT 1/4-20



01.14.009-A

KEY NO.	PART NO.	DESCRIPTION
1	422663	SAFETY IGNITION KEY



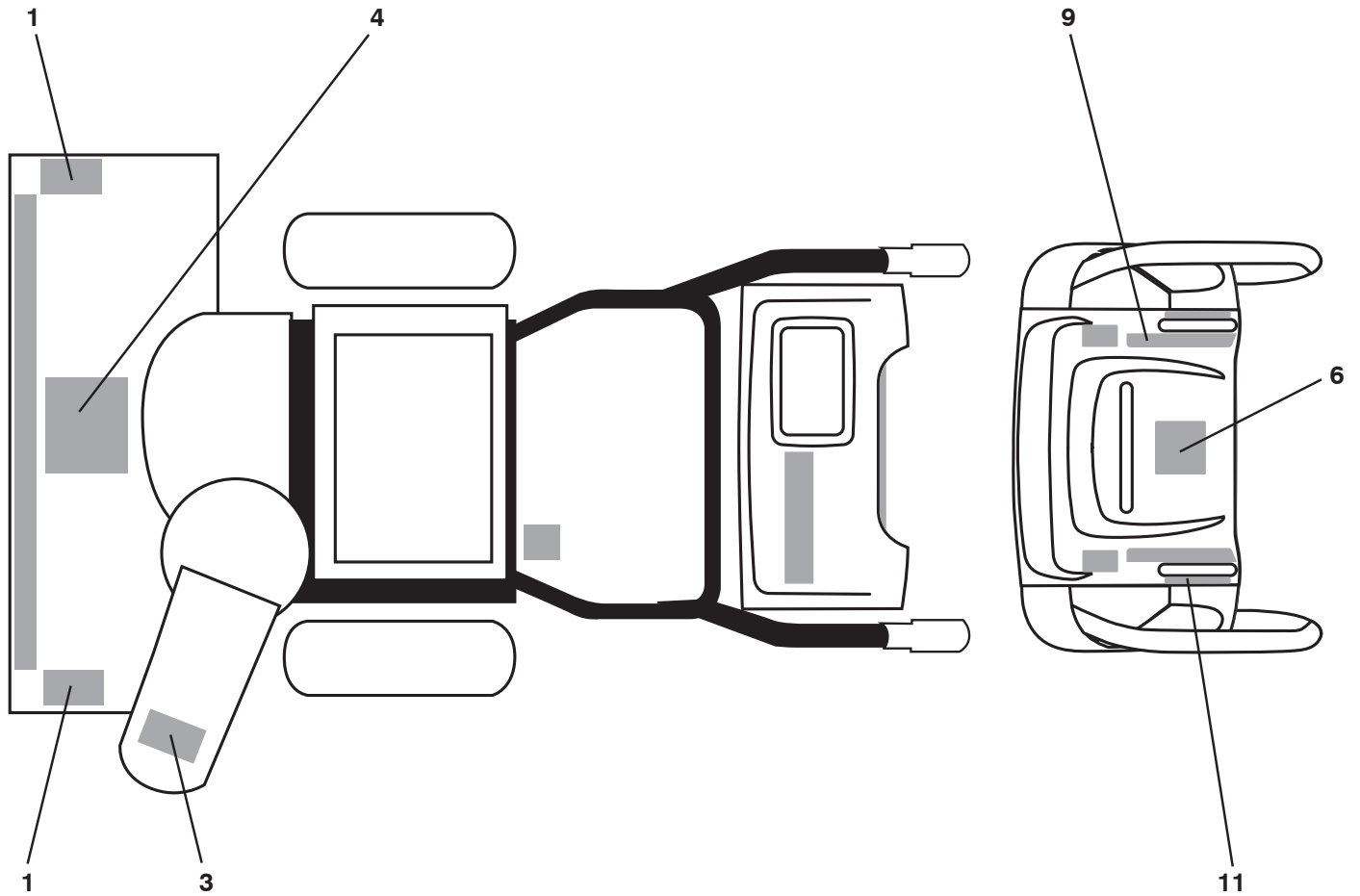
01.14.012-A

KEY NO.	PART NO.	DESCRIPTION
1	180445	SHIFTER ROD TOP
2	187716	SHIFTER ROD BOTTOM
3	72270505	CARRIAGE BOLT 5/16-18 X .75
4	155377	NUT 5/16-18

**NOTE:** All component dimensions given in U.S. inches. 1 inch = 25.4 mm  
**IMPORTANT:** Use only Original Equipment Manufacturer (O.E.M.) replacement parts.  
 Failure to do so could be hazardous, damage your snow thrower and void your warranty.

# REPAIR PARTS SNOW THROWER - MODEL NUMBER PP208EPS24 (96198002702)

## DECALS



KEY NO.	PART NO.	DESCRIPTION
1	181037	DECAL, DANGER
3	181035	DECAL, DANGER, DEFLECTOR
4	181042	DECAL, DANGER
6	181033	DECAL, INSTRUCTION
9	429591	DECAL, SPEED CONTROL
11	429590	DECAL, TRACT/CLUTCH LEVER
--	435999	OWNER'S MANUAL, ENGLISH
--	436000	OWNER'S MANUAL, FRENCH

**NOTE:** All component dimensions given in U.S. inches. 1 inch = 25.4 mm  
**IMPORTANT:** Use only Original Equipment Manufacturer (O.E.M.) replacement parts.  
 Failure to do so could be hazardous, damage your snow thrower and void your warranty.

## LIMITED WARRANTY

The Manufacturer warrants to the original consumer purchaser that this product as manufactured is free from defects in materials and workmanship. For a period of two (2) years from date of purchase by the original consumer purchaser, we will repair or replace, at our option, without charge for parts or labor incurred in replacing parts, any part which we find to be defective due to materials or workmanship. This Warranty is subject to the following limitations and exclusions.

1. This warranty does not apply to the engine or components parts thereof. Please refer to the applicable manufacturer's warranty on these items.
2. Transportation charges for the movement of any power equipment unit or attachment are the responsibility of the purchaser. Transportation charges for any parts submitted for replacement under this warranty must be paid by the purchaser unless such return is requested by the manufacturer.
3. The Warranty period for any products used for rental or commercial purposes is limited to 90 days from the date of original purchase.
4. This Warranty applies only to products which have been properly assembled, adjusted, operated, and maintained in accordance with the instructions furnished. This Warranty does not apply to any product which has been subjected to alteration, misuse, abuse, improper assembly or installation, delivery damage, or to normal wear of the product.
5. Exclusions: Excluded from this Warranty are belts, shear pins, normal wear, normal adjustments, standard hardware and normal maintenance.
6. In the event you have a claim under this Warranty, you must return the product to an authorized service dealer.

Should you have any unanswered questions concerning this Warranty, please contact:

Poulan Pro  
Outdoor Products Customer Service Dept.  
9335 Harris Corners Parkway  
Charlotte, NC 28269 USA

In Canada contact:  
Poulan Pro, Customer Service Department  
5855 Terry Fox Way  
Mississauga, Ontario  
L5V 3E4

giving the complete mfg. ID#, serial number and date of purchase of your product and the name and address of the authorized dealer from whom it was purchased.

THIS WARRANTY DOES NOT APPLY TO INCIDENTAL OR CONSEQUENTIAL DAMAGES AND ANY IMPLIED WARRANTIES ARE LIMITED TO THE SAME TIME PERIODS STATED HEREIN FOR OUR EXPRESSED WARRANTIES. Some areas do not allow the limitation of consequential damages or limitations of how long an implied Warranty may last, so the above limitations or exclusions may not apply to you. This Warranty gives you specific legal rights, and you may have other rights which vary from locale to locale.

This is a limited Warranty within the meaning of that term as defined in the Magnuson-Moss Act of 1975.

# Poulan PRO



## Free Manuals Download Website

<http://myh66.com>

<http://usermanuals.us>

<http://www.somanuals.com>

<http://www.4manuals.cc>

<http://www.manual-lib.com>

<http://www.404manual.com>

<http://www.luxmanual.com>

<http://aubethermostatmanual.com>

Golf course search by state

<http://golfingnear.com>

Email search by domain

<http://emailbydomain.com>

Auto manuals search

<http://auto.somanuals.com>

TV manuals search

<http://tv.somanuals.com>