



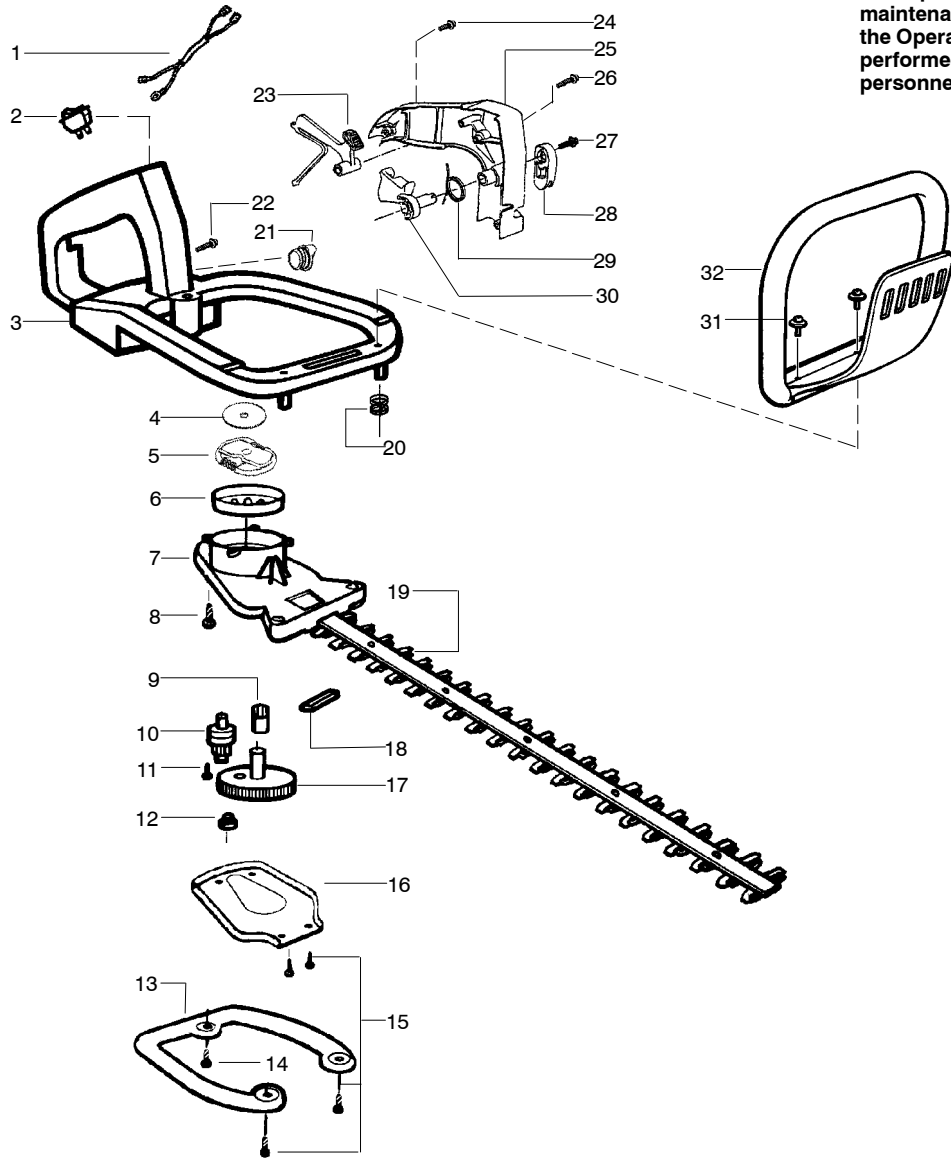




## TYPE 1



**WARNING**  
All repairs, adjustments and maintenance not described in the Operator's Manual must be performed by qualified service personnel.

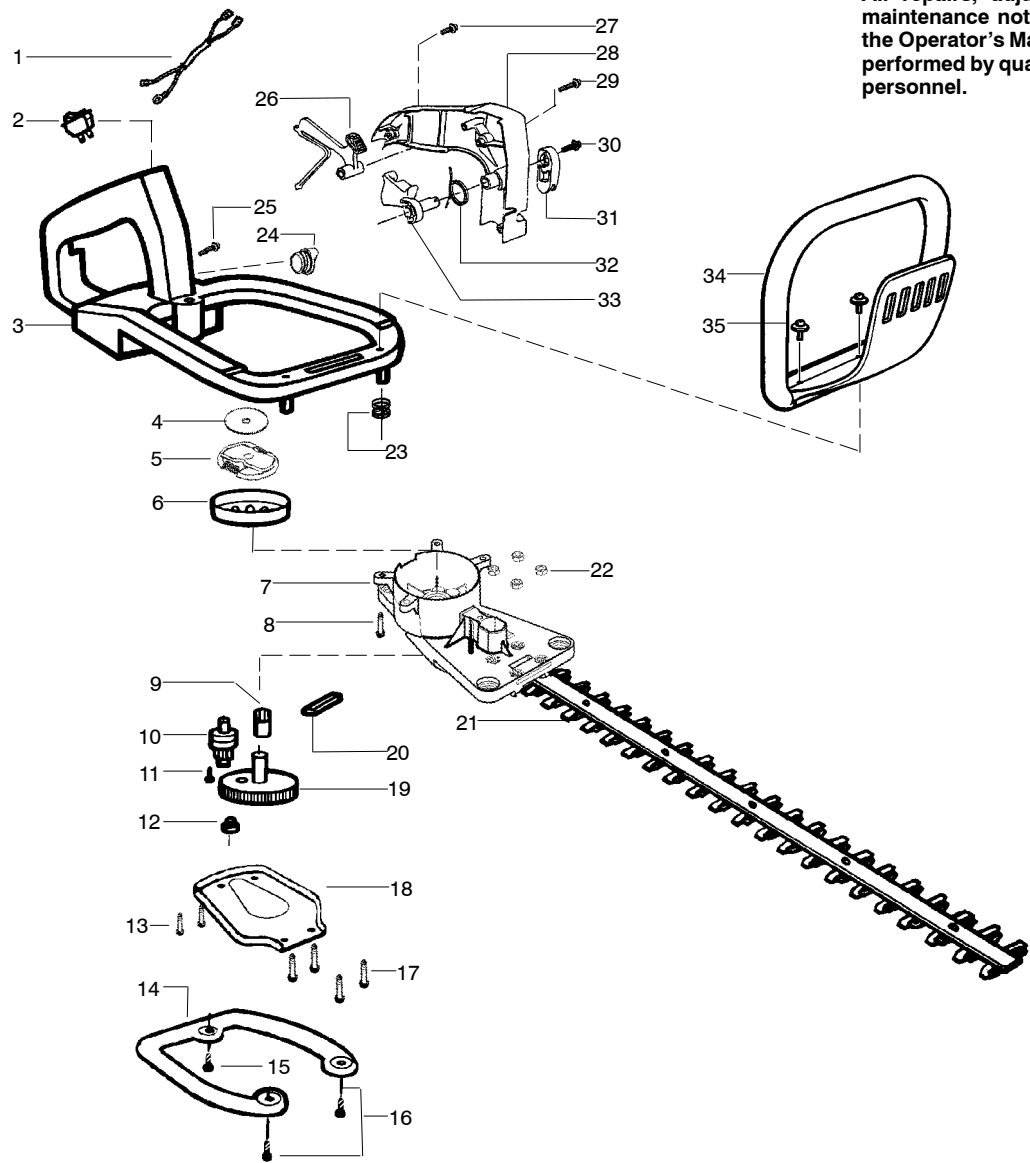


| Ref. | Part No.  | Description                       | Ref. | Part No.  | Description       |
|------|-----------|-----------------------------------|------|-----------|-------------------|
| 1.   | 530054133 | Assy-Leadwire/Switch (Incl.#2)    | 18.  | 530029948 | Seal-Blade (Felt) |
| 2.   | 530029954 | Switch-Ignition                   | 19.  | 530403229 | Assy-Blade 22"    |
| 3.   | 530071656 | Assy-Rear Handle & Tank           | 20.  | 530029946 | Spring            |
| 4.   | 545024810 | Washer-Clutch (Kit)               | 21.  | 530014871 | Assy-Fuel Cap     |
| 5.   | 545024810 | Assy-Clutch (Kit)                 | 22.  | 530016406 | Screw             |
| 6.   | 545024810 | Drum-Clutch (Kit)                 | 23.  | 530053900 | Lockout-Throttle  |
| 7.   | 530096102 | Assy-Gear Box (incl.# 9-11)       | 24.  | 530015934 | Screw             |
| 8.   | 530015886 | Screw                             | 25.  | 530038305 | Cover-Handle      |
| 9.   | 530016013 | Bearing-Gear                      | 26.  | 530015940 | Screw             |
| 10.  | 530096009 | Assy-Pinion                       | 27.  | 530015775 | Screw             |
| 11.  | 530015805 | Screw                             | 28.  | 530029958 | Lever-Trigger     |
| 12.  | 530032121 | Bushing-Blade                     | 29.  | 530036123 | Spring-Trigger    |
| 13.  | 530036046 | Plate-Isolator                    | 30.  | 530053884 | Trigger           |
| 14.  | 530015849 | Screw                             | 31.  | 530015955 | Screw             |
| 15.  | 530015934 | Screw                             | 32.  | 530094992 | Handle-Front      |
| 16.  | 530029916 | Cover-Gear Box Plate              |      |           |                   |
| 17.  | 530071690 | Kit-Drive Gear Ass'y. (Incl. #12) |      |           |                   |

✓ = NEW PART NUMBER FOR THIS IPL      \* = REFER TO THE SERVICE REFERENCE INDICATED FOR MORE INFORMATION. (LOCATED AT END OF IPL)  
 ● = THESE PARTS ARE ILLUSTRATED FOR CLARITY. ORDER COMPLETE ASSEMBLY.

TYPE 2

**WARNING**  
All repairs, adjustments and maintenance not described in the Operator's Manual must be performed by qualified service personnel.

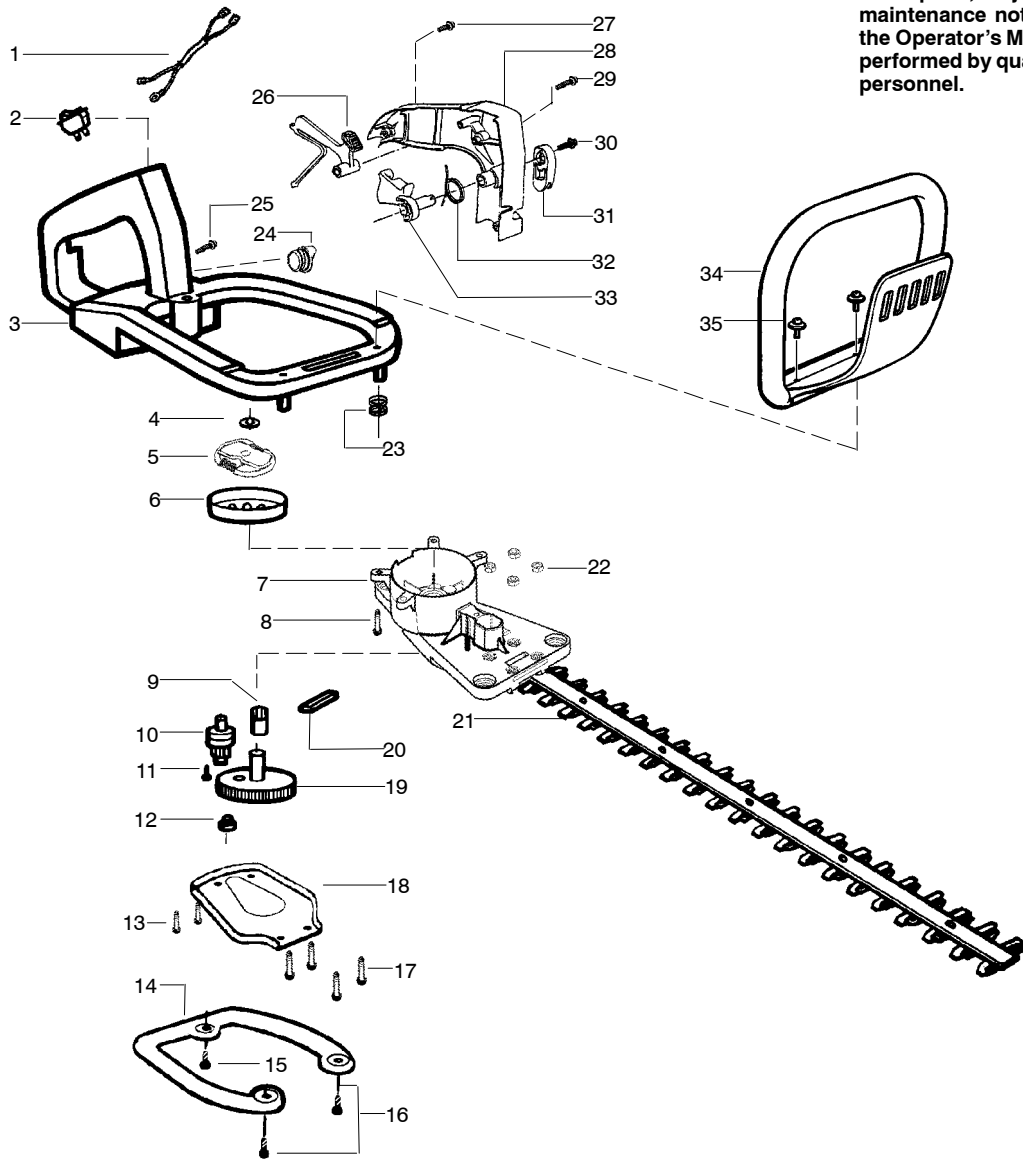


| Ref. | Part No.  | Description                          | Ref. | Part No.  | Description                       |
|------|-----------|--------------------------------------|------|-----------|-----------------------------------|
| 1.   | 530054133 | Assy-Leadwire/Switch (Incl.#2)       | 19.  | 530071690 | Kit-Drive Gear Ass'y. (Incl. #12) |
| 2.   | 530029954 | Switch-Ignition                      | 20.  | 530029948 | Seal-Blade (Felt)                 |
| 3.   | 530071656 | Assy-Rear Handle & Tank              | 21.  | 530403229 | Assy-Blade 22"                    |
| 4.   | 545024810 | Washer-Clutch (Kit)                  | 22.  | 530016284 | Nut                               |
| 5.   | 545024810 | Assy-Clutch (Kit)                    | 23.  | 530029946 | Spring                            |
| 6.   | 545024810 | Drum-Clutch (Kit)                    | 24.  | 530014871 | Assy-Fuel Cap                     |
| 7.   | 530071931 | Assy-Gear Box (incl.# 9-11,13,17,22) | 25.  | 530016406 | Screw                             |
| 8.   | 530015886 | Screw                                | 26.  | 530053900 | Lockout-Throttle                  |
| 9.   | 530016013 | Bearing-Gear                         | 27.  | 530015934 | Screw                             |
| 10.  | 530096009 | Assy-Pinion                          | 28.  | 530038305 | Cover-Handle                      |
| 11.  | 530015805 | Screw                                | 29.  | 530015940 | Screw                             |
| 12.  | 530032121 | Bushing-Blade                        | 30.  | 530015775 | Screw                             |
| 13.  | 530015940 | Screw                                | 31.  | 530029958 | Lever-Trigger                     |
| 14.  | 530036046 | Plate-Isolator                       | 32.  | 530036123 | Spring-Trigger                    |
| 15.  | 530015849 | Screw                                | 33.  | 530053884 | Trigger                           |
| 16.  | 530015934 | Screw                                | 34.  | 530094992 | Handle-Front                      |
| 17.  | 530016472 | Screw                                | 35.  | 530015955 | Screw                             |
| 18.  | 530029916 | Cover-Gear Box Plate                 |      |           |                                   |

✓ = NEW PART NUMBER FOR THIS IPL      \* = REFER TO THE SERVICE REFERENCE INDICATED FOR MORE INFORMATION. (LOCATED AT END OF IPL)  
● = THESE PARTS ARE ILLUSTRATED FOR CLARITY. ORDER COMPLETE ASSEMBLY.

## TYPE 3

**WARNING**  
All repairs, adjustments and maintenance not described in the Operator's Manual must be performed by qualified service personnel.

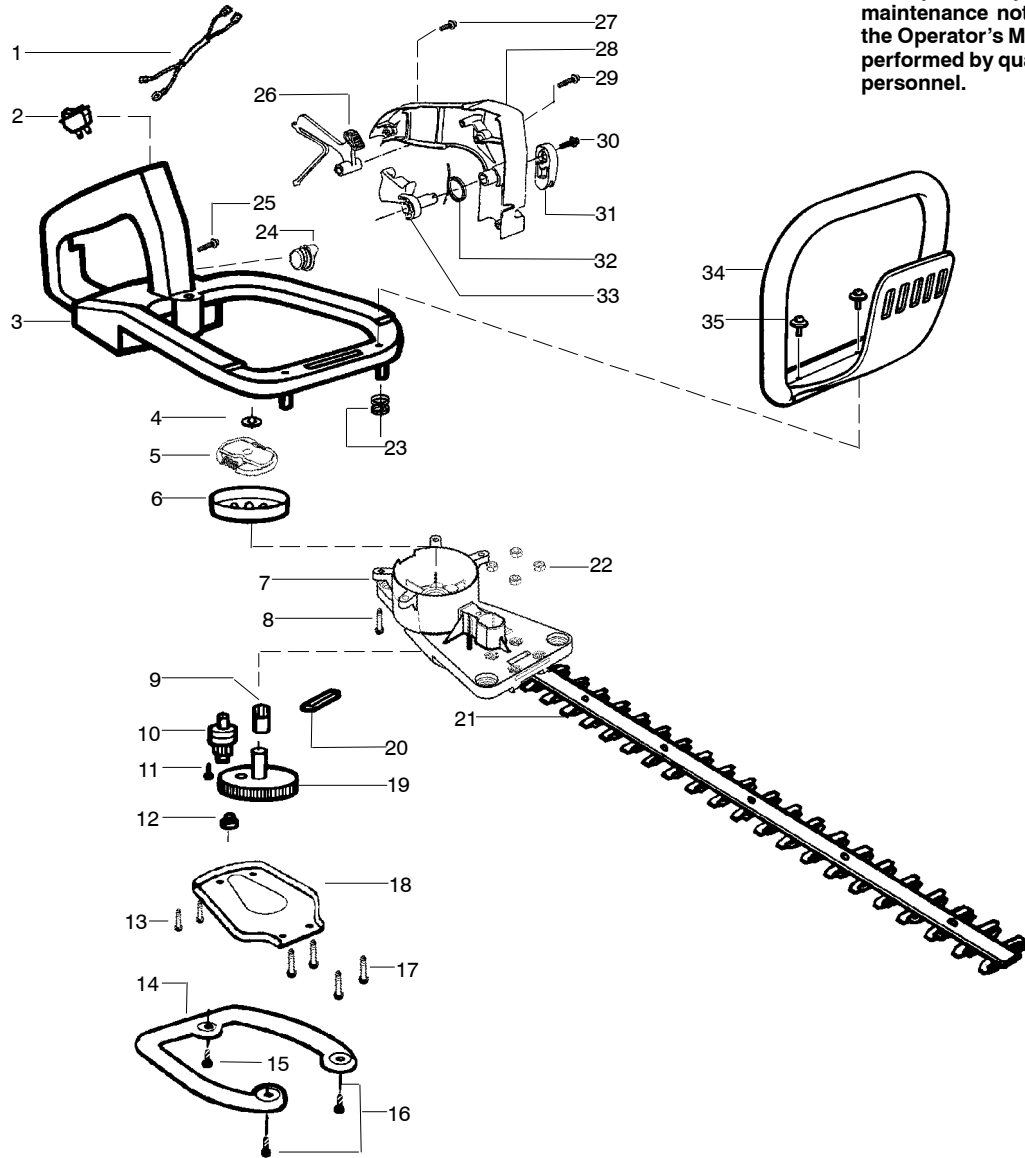


| Ref. | Part No.  | Description                          | Ref. | Part No.  | Description                       |
|------|-----------|--------------------------------------|------|-----------|-----------------------------------|
| 1.   | 530054133 | Assy-Leadwire/Switch (Incl.#2)       | 19.  | 530071690 | Kit-Drive Gear Ass'y. (Incl. #12) |
| 2.   | 530029954 | Switch-Ignition                      | 20.  | 530029948 | Seal-Blade (Felt)                 |
| 3.   | 530071656 | Assy-Rear Handle & Tank              | 21.  | 530403229 | Assy-Blade 22"                    |
| 4.   | 530015828 | Washer-Clutch                        | 22.  | 545009101 | Nut                               |
| 5.   | 530014396 | Kit-Clutch Assy.                     | 23.  | 530029946 | Spring                            |
| 6.   | 530056069 | Assy-Drum                            | 24.  | 530014871 | Assy-Fuel Cap                     |
| 7.   | 530071931 | Assy-Gear Box (incl.# 9-11,13,17,22) | 25.  | 530016406 | Screw                             |
| 8.   | 530015886 | Screw                                | 26.  | 530053900 | Lockout-Throttle                  |
| 9.   | 530016013 | Bearing-Gear                         | 27.  | 530015934 | Screw                             |
| 10.  | 530096009 | Assy-Pinion                          | 28.  | 545008001 | Kit-Handle Cover                  |
| 11.  | 530015805 | Screw                                | 29.  | 530015940 | Screw                             |
| 12.  | 530032121 | Bushing-Blade                        | 30.  | 530015775 | Screw                             |
| 13.  | 530015940 | Screw                                | 31.  | 530057818 | Lever-Trigger                     |
| 14.  | 530036046 | Plate-Isolator                       | 32.  | 530036123 | Spring-Trigger                    |
| 15.  | 530015849 | Screw                                | 33.  | 530053884 | Trigger                           |
| 16.  | 530015934 | Screw                                | 34.  | 530094992 | Handle-Front                      |
| 17.  | 530016472 | Screw                                | 35.  | 530015955 | Screw                             |
| 18.  | 530029916 | Cover-Gear Box Plate                 |      |           |                                   |

✓ = NEW PART NUMBER FOR THIS IPL      ★ = REFER TO THE SERVICE REFERENCE INDICATED FOR MORE INFORMATION. (LOCATED AT END OF IPL)  
● = THESE PARTS ARE ILLUSTRATED FOR CLARITY. ORDER COMPLETE ASSEMBLY.

## TYPE 4

**WARNING**  
All repairs, adjustments and maintenance not described in the Operator's Manual must be performed by qualified service personnel.



| Ref. | Part No.  | Description                          | Ref. | Part No.  | Description                       |
|------|-----------|--------------------------------------|------|-----------|-----------------------------------|
| 1.   | 530054133 | Assy-Leadwire/Switch (Incl.#2)       | 19.  | 530071690 | Kit-Drive Gear Ass'y. (Incl. #12) |
| 2.   | 530029954 | Switch-Ignition                      | 20.  | 530029948 | Seal-Blade (Felt)                 |
| 3.   | 530071656 | Assy-Rear Handle & Tank              | 21.  | 530403229 | Assy-Blade 22"                    |
| 4.   | 530015611 | Washer-Clutch                        | 22.  | 545009101 | Nut                               |
| 5.   | 530071803 | Kit-Clutch Assy.                     | 23.  | 530029946 | Spring                            |
| 6.   | 530150583 | Assy-Drum                            | 24.  | 530014871 | Assy-Fuel Cap                     |
| 7.   | 530071931 | Assy-Gear Box (incl.# 9-11,13,17,22) | 25.  | 530016406 | Screw                             |
| 8.   | 530015886 | Screw                                | 26.  | 530053900 | Lockout-Throttle                  |
| 9.   | 530016013 | Bearing-Gear                         | 27.  | 530015934 | Screw                             |
| 10.  | 530096009 | Assy-Pinion                          | 28.  | 545008001 | Kit-Handle Cover                  |
| 11.  | 530015805 | Screw                                | 29.  | 530015940 | Screw                             |
| 12.  | 530032121 | Bushing-Blade                        | 30.  | 530015775 | Screw                             |
| 13.  | 530015940 | Screw                                | 31.  | 530057818 | Lever-Trigger                     |
| 14.  | 530036046 | Plate-Isolator                       | 32.  | 530036123 | Spring-Trigger                    |
| 15.  | 530015849 | Screw                                | 33.  | 530053884 | Trigger                           |
| 16.  | 530015934 | Screw                                | 34.  | 530094992 | Handle-Front                      |
| 17.  | 530016472 | Screw                                | 35.  | 530015955 | Screw                             |
| 18.  | 530029916 | Cover-Gear Box Plate                 |      |           |                                   |

✓ = NEW PART NUMBER FOR THIS IPL      \* = REFER TO THE SERVICE REFERENCE INDICATED FOR MORE INFORMATION. (LOCATED AT END OF IPL)  
● = THESE PARTS ARE ILLUSTRATED FOR CLARITY. ORDER COMPLETE ASSEMBLY.

## Free Manuals Download Website

<http://myh66.com>

<http://usermanuals.us>

<http://www.somanuals.com>

<http://www.4manuals.cc>

<http://www.manual-lib.com>

<http://www.404manual.com>

<http://www.luxmanual.com>

<http://aubethermostatmanual.com>

Golf course search by state

<http://golfingnear.com>

Email search by domain

<http://emailbydomain.com>

Auto manuals search

<http://auto.somanuals.com>

TV manuals search

<http://tv.somanuals.com>