



OWNER'S MANUAL

SUB-WOOFER ELECTRONIC CROSSOVER NETWORK

MODEL NO.: C-1B

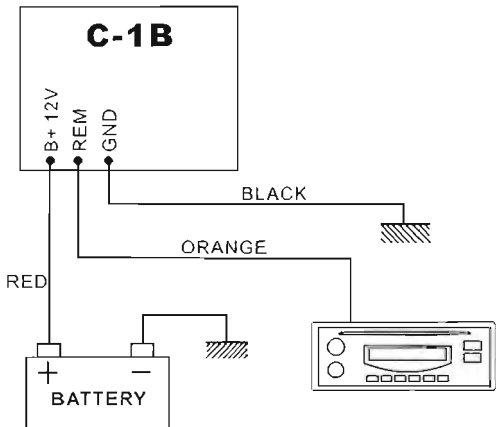
FEATURES & SPECIFICATIONS

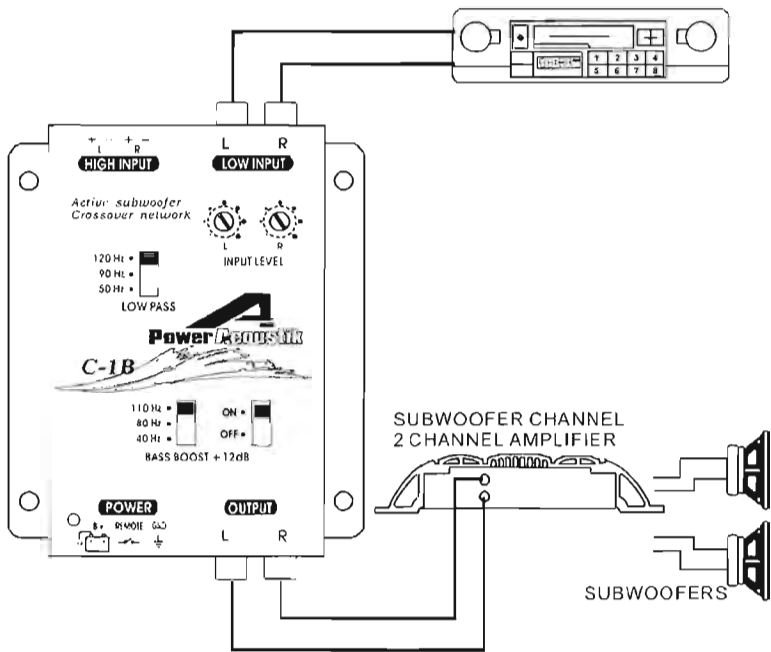
- * Active 12dB Crossover
- * High or Low Level Input
- * LED Power On Indicator
- * Adjustable Input Level Control (Left / Right)
- * Crossover Freq. 50, 90, 120Hz
- * Selectable Bass Boost @ 110, 80, 40Hz (+12dB)
- * T.H.D.: 0.02%
- * S/N Ratio: 85dB
- * Channel Separation: 70dB
- * Dimensions: 3.7" (W) x 5.3" (L) x 0.8" (H)

ELECTRONIC CONNECTIONS & WIRING

Power connection

- **B+(12V)** : Connect a red wire to the car battery or other power source.
- **REMOTE**: Connect an orange wire to remote activating (12V DC) wire of car stereo or equalizer.
- **GND** : Connect a black wire to the car chassis for ground connection.





Free Manuals Download Website

<http://myh66.com>

<http://usermanuals.us>

<http://www.somanuals.com>

<http://www.4manuals.cc>

<http://www.manual-lib.com>

<http://www.404manual.com>

<http://www.luxmanual.com>

<http://aubethermostatmanual.com>

Golf course search by state

<http://golfingnear.com>

Email search by domain

<http://emailbydomain.com>

Auto manuals search

<http://auto.somanuals.com>

TV manuals search

<http://tv.somanuals.com>