



MODEL: PEQ-86BC

**7 BAND HIGH POWERED GRAPHIC EQUALIZER WITH
SUBWOOFER ELECTRONIC CROSSOVER**

**7 BANDA GRAFICO DE ALTA POTENCIA
EQUALIZADOR / AMPLIFICADOR
CON SUBWOOFER Y CROSSOVER ELCTRICO**

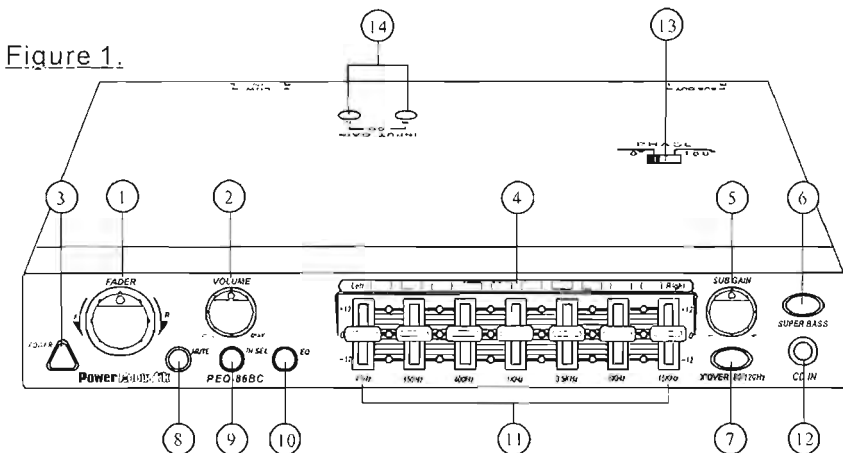
**OWNER'S MANUAL
MANUAL DE INSTRUCCIONES**

ENGLISH

■ INTRODUCTION

The Power Acoustik Model PEQ-86BC is intended for those who value the acoustic benefits of a multi-band Graphic Equalizer but who also desire higher audio power level capabilities than can be obtained in an in-dash unit. It contain stereo power amplifiers to drive speakers directly, and 1 subwoofer pair (with crossovers and sensivity control). Subwoofer output can be connected to remote high-power amplifiers. The seven center-frequencies are concentrated in the critical 40HZ to 15KHZ region where compensation is most needed.

■ FEATURES AND OPERATING CONTROLS:



1. **FADER.** Allows front to rear balancing in four speaker systems for best directional imaging.
2. **MASTER VOLUME.** Simultaneously raises and lowers the volume of all output signal.
3. **POWER SWITCH.** Press in to switch on the unit. And press it again at outer position to switch off the unit.
4. **OUTPUT LEVEL DISPLAY.** These LED indicators show approximate power of output for both the left and right channels.
5. **SUBWOOFER GAIN CONTROL.** Allows user to adjust subwoofer output to match overall system output.
6. **SUBWOOFER SWITCH.** When the subwoofer is connected, use this switch to activate/deactivate the subwoofer.
7. **SUBWOOFER CROSSOVER POINTS.** Two operating modes. The **SUBWOOFER MODE** activates an internal low-pass filter so only the deepest bass notes are passed to the woofer system. Two position 80Hz or 120Hz.
8. **MUTE SWITCH.** Switch the knob to on position. The whole music system will become silence. And switch again to disengage this setting.

9. **INPUT SELECTOR.** Selects Line 1 or Line 2. This can be used to switch an additional components beyond the input capabilities of your head unit. For example if you wish to add a DVD or CD changer to your system, you can input the signal into the CD RCA jacks located in the rear of the PEQ-86BC and select the input source via the front panel switch. The top of the PEQ-86BC chassis features stereo Input Gain adjustments for the CD input (See 14 in Figure 1), so that you can match the input signal of your 2 source units to match in volume when you switch between them.

10. **EQ.** Press in to engage the equalizer circuitry. Press it (outer position) the result is the same as setting all slide controls to center position. It is useful in judging the result of your EQ Settings.

11. **EQ SLIDE CONTROLS.** Each slide controls the amount of boost or cut in one small part of the total audio frequency range. With all of the slides in the center position, the overall frequency response is flat. By moving any slide up or down, the output within the band is increased or decreased by up to 12 dB.

12. **COMPACT DISC IN-PUT JACK.** Using 3.5mm jack and cable, plugging into CD in-put jack from any external portable player will automatically cut off the low level input and transmits the CD signal to the outlet.

13. **PHASE SHIFT SELECTOR SWITCH.** Use this switch to select Output Phase for the Subwoofer Channel to provide best time alignment and stereo imaging.

14. **CD INPUT GAIN CONTROL.** Use this control to adjust the input signal from CD RCA jacks to match your 2 sources units.

■ INSTALLATION

The PEQ-86BC is designed for in-dash installation directly above or below a standard DIN sized radio/tape player. Installation Kits for the purpose are available from a variety of suppliers. Consult with a professional Autosound installer for assistance.

Each wire is individually labeled to reduce any chance of error. Phono cable pairs with plugs on both ends are required to connect the PEQ-86BC SUB WOOFER outputs to the remote amplifiers and also for the phono inputs if used. These can be purchased from a local audio dealer in the correct lengths for your particular installation.

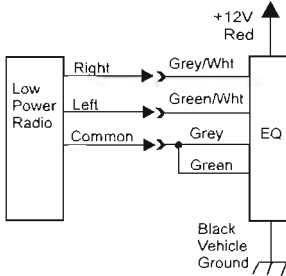
The Black wire labeled Power Ground is connected directly to the vehicle chassis.

The Red wire with in-line fuse is the main power input to the PEQ-86BC. It should be connected to a source of Switched +12 volts (Cut off by the Ignition switch). This is normally the same fuse-panel terminal that powers your radio.

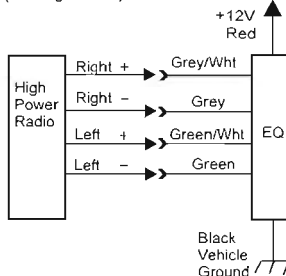
The final step in the electrical installation is to connect the Left & Right Output signals from your radio to the PEQ-86BC inputs in one of two ways, depending on how your radio is equipped. If it has Phono-style Line Outputs, then they are connected to the matching Line Inputs using a purchased cable pair as discussed above.

INPUT CONNECTION

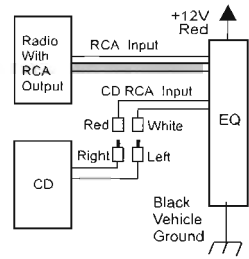
Connection With Speaker Inputs
(Common Ground)



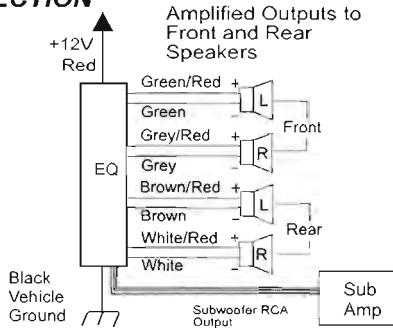
Connection With Speaker Inputs
(Floating Ground)



Connection With
RCA Inputs



OUTPUT CONNECTION



Note : Use either RCA (low level) or SPEAKER (high level) inputs. NEVER connect both high and low level inputs.

SPECIFICATIONS:

CONTROL FREQUENCY	40Hz,150Hz,400Hz,1KHz,3.5KHz,8KHz AND 15KHz
EQ CONTROL RANGE	BOOST 12dB+/-3dB, CUT 12dB+/-3dB
INPUT SINGAL VOLTAGE	5V(High)/500mV(Low)
FREQUENCY RESPONSE	20Hz~20KHz
DISTORTION	≤ 0.01%
SUBWOOFER FREQUENCY POINT.....	80Hz~120Hz
SUB GAIN	12dB +/-3dB
S/N RATIO.....	≥ 60dB
CHANNEL SEPARATION.....	≥ 50dB
DIMENSION	178x 25 x 150 mm
WEIGHT	750 grams.
CONSUMPTION	5A
POWER SUPPLY.....	11~16V DC negative ground

Due to our continuing efforts towards products improvement, the above specification are subject to change without notice.

Free Manuals Download Website

<http://myh66.com>

<http://usermanuals.us>

<http://www.somanuals.com>

<http://www.4manuals.cc>

<http://www.manual-lib.com>

<http://www.404manual.com>

<http://www.luxmanual.com>

<http://aubethermostatmanual.com>

Golf course search by state

<http://golfingnear.com>

Email search by domain

<http://emailbydomain.com>

Auto manuals search

<http://auto.somanuals.com>

TV manuals search

<http://tv.somanuals.com>