

# POWERMATIC®

## Operating Instructions and Parts Manual 6-inch Woodworking Jointer Models 54A and 54HH



54A (1791279DXK) serial # 8040543557 and up  
54HH (1791317K) serial # 8010540313 and up



**Powermatic**  
427 New Sanford Road  
LaVergne, Tennessee 37086  
Ph.: 800-274-6848  
[www.powermatic.com](http://www.powermatic.com)

**Part No. M-1791279DX**  
Revision C2 04/2014  
Copyright © 2014 Powermatic

# Warranty and Service

Powermatic warrants every product it sells against manufacturers' defects. If one of our tools needs service or repair, please contact Technical Service by calling 1-800-274-6846, 8AM to 5PM CST, Monday through Friday.

## Warranty Period

The general warranty lasts for the time period specified in the literature included with your product or on the official Powermatic branded website.

- Powermatic products carry a limited warranty which varies in duration based upon the product. (See chart below)
- Accessories carry a limited warranty of one year from the date of receipt.
- Consumable items are defined as expendable parts or accessories expected to become inoperable within a reasonable amount of use and are covered by a 90 day limited warranty against manufacturer's defects.

## Who is Covered

This warranty covers only the initial purchaser of the product from the date of delivery.

## What is Covered

This warranty covers any defects in workmanship or materials subject to the limitations stated below. This warranty does not cover failures due directly or indirectly to misuse, abuse, negligence or accidents, normal wear-and-tear, improper repair, alterations or lack of maintenance.

## Warranty Limitations

Woodworking products with a Five Year Warranty that are used for commercial or industrial purposes default to a Two Year Warranty. Please contact Technical Service at 1-800-274-6846 for further clarification.

## How to Get Technical Support

Please contact Technical Service by calling 1-800-274-6846. **Please note that you will be asked to provide proof of initial purchase when calling.** If a product requires further inspection, the Technical Service representative will explain and assist with any additional action needed. Powermatic has Authorized Service Centers located throughout the United States. For the name of an Authorized Service Center in your area call 1-800-274-6846 or use the Service Center Locator on the Powermatic website.

## More Information

Powermatic is constantly adding new products. For complete, up-to-date product information, check with your local distributor or visit the Powermatic website.

## How State Law Applies

This warranty gives you specific legal rights, subject to applicable state law.

## Limitations on This Warranty

POWERMATIC LIMITS ALL IMPLIED WARRANTIES TO THE PERIOD OF THE LIMITED WARRANTY FOR EACH PRODUCT. EXCEPT AS STATED HEREIN, ANY IMPLIED WARRANTIES OF MERCHANTABILITY AND FITNESS FOR A PARTICULAR PURPOSE ARE EXCLUDED. SOME STATES DO NOT ALLOW LIMITATIONS ON HOW LONG AN IMPLIED WARRANTY LASTS, SO THE ABOVE LIMITATION MAY NOT APPLY TO YOU.

POWERMATIC SHALL IN NO EVENT BE LIABLE FOR DEATH, INJURIES TO PERSONS OR PROPERTY, OR FOR INCIDENTAL, CONTINGENT, SPECIAL, OR CONSEQUENTIAL DAMAGES ARISING FROM THE USE OF OUR PRODUCTS. SOME STATES DO NOT ALLOW THE EXCLUSION OR LIMITATION OF INCIDENTAL OR CONSEQUENTIAL DAMAGES, SO THE ABOVE LIMITATION OR EXCLUSION MAY NOT APPLY TO YOU.

Powermatic sells through distributors only. The specifications listed in Powermatic printed materials and on the official Powermatic website are given as general information and are not binding. Powermatic reserves the right to effect at any time, without prior notice, those alterations to parts, fittings, and accessory equipment which they may deem necessary for any reason whatsoever.

## Product Listing with Warranty Period

90 Days – Parts; Consumable items
1 Year – Motors, Machine Accessories
2 Year – Woodworking Machinery used for industrial or commercial purposes
5 Year – Woodworking Machinery

NOTE: Powermatic is a division of JPW Industries, Inc. References in this document to Powermatic also apply to JPW Industries, Inc., or any of its successors in interest to the Powermatic brand.

# Table of Contents

1.0 Warranty and Service .....	2
Table of Contents .....	3
Warnings.....	4
Unpacking.....	8
Shipping Contents.....	8
Assembly .....	9
Unpacking and Cleanup.....	9
Installing Bed to Stand .....	9
Installing Fence to Bed.....	10
Installing the Drive Belt.....	10
Installing the Pulley Cover.....	11
Installing Cutterhead Guard.....	11
Installing Access Door and Dust Chute.....	11
Electrical .....	12
Grounding Instructions.....	12
115 Volt Operation .....	12
230 Volt Operation .....	12
Adjustments .....	13
Fence Movement .....	13
Fence Stop Adjustments .....	14
Infeed Table Height Adjustment .....	15
Infeed Table Travel Limiter.....	15
Table Gib Adjustment.....	16
Outfeed Table Height Adjustment.....	16
Setting Cutterhead Knives ( <i>Model 54A only</i> ) .....	17
Replacing Knives ( <i>Model 54A only</i> ).....	19
Setting Knives for Rabbeting and Nicks ( <i>Model 54A only</i> ).....	20
Replacing or Rotating Knife Inserts ( <i>Model 54HH only</i> ) .....	20
Determining Correct Table Height .....	21
Hand Placement .....	23
Direction of Grain .....	23
Surfacing .....	24
Jointing.....	24
Beveling.....	25
Skewing (Shear Cutting) .....	25
Rabbit Cuts (Straight Knife only) .....	26
Push Blocks.....	26
Blade Care.....	26
Cutterhead Removal .....	27
Optional Accessories.....	29
Replacement Parts.....	29
Stand – Parts List (All Models) .....	30
Stand –Assembly (All Models).....	31
Bed – Parts List (All Models) .....	32
Fence – Parts List and Assembly (All Models).....	34
Cutterhead – Parts and Assembly (model 54A only).....	35
Cutterhead – Parts and Assembly (model 54HH only) .....	36
Wiring Diagrams.....	37
Wiring Diagram – Serial # 05060540312 and lower .....	37
Wiring Diagram – Serial # 05060540313 and higher .....	38

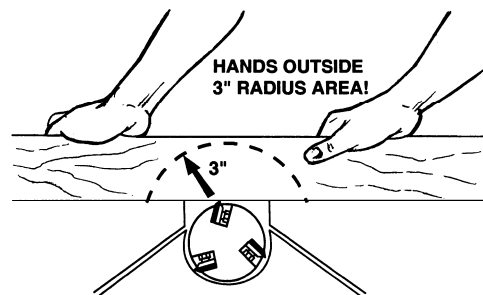


# Warnings

1. Read and understand the entire owner's manual before attempting assembly or operation.
2. Read and understand the warnings posted on the machine and in this manual. Failure to comply with all of these warnings may cause serious injury.
3. Replace the warning labels if they become obscured or removed.
4. This woodworking Jointer is designed and intended for use by properly trained and experienced personnel only. If you are not familiar with the proper and safe operation of a jointer, do not use until proper training and knowledge have been obtained.
5. Do not use this machine for other than its intended use. If used for other purposes, Powermatic disclaims any real or implied warranty and holds itself harmless from any injury that may result from that use.
6. Always wear approved safety glasses/face shields while using this jointer. Everyday eyeglasses only have impact resistant lenses; they are not safety glasses.
7. Before operating this machine, remove tie, rings, watches and other jewelry, and roll sleeves up past the elbows. Remove all loose clothing and confine long hair. Non-slip footwear or anti-skid floor strips are recommended. Do **not** wear gloves.
8. Wear ear protectors (plugs or muffs) during extended periods of operation.
9. Some dust created by power sanding, sawing, grinding, drilling and other construction activities contain chemicals known to cause cancer, birth defects or other reproductive harm. Some examples of these chemicals are:
  - Lead from lead based paint.
  - Crystalline silica from bricks, cement and other masonry products.
  - Arsenic and chromium from chemically treated lumber.Your risk of exposure varies, depending on how often you do this type of work. To reduce your exposure to these chemicals, work in a well-ventilated area and work with approved safety equipment, such as face or dust masks that are specifically designed to filter out microscopic particles.
10. Do not operate this machine while tired or under the influence of drugs, alcohol or any medication.
11. Make certain the switch is in the **OFF** position before connecting the machine to the power source.
12. Make certain the machine is properly grounded.
13. Make all machine adjustments or maintenance with the machine unplugged from the power source.
14. Remove adjusting keys and wrenches. Form a habit of checking to see that keys and adjusting wrenches are removed from the machine before turning it on.
15. Keep safety guards in place at all times when the machine is in use. If removed for maintenance purposes, use extreme caution and replace the guards immediately after maintenance is complete.
16. Make sure the jointer is firmly secured to the stand or a bench before use.
17. Check damaged parts. Before further use of the machine, a guard or other part that is damaged should be carefully checked to determine that it will operate properly and perform its intended function. Check for alignment of moving parts, binding of moving parts, breakage of parts, mounting and any other conditions that may affect its operation. A guard or other part that is damaged should be properly repaired or replaced.
18. Provide for adequate space surrounding work area and non-glare, overhead lighting.
19. Keep the floor around the machine clean and free of scrap material, oil and grease.

# Warnings

20. Keep visitors a safe distance from the work area. **Keep children away.**
21. Make your workshop child proof with padlocks, master switches or by removing starter keys.
22. Give your work undivided attention. Looking around, carrying on a conversation and “horse-play” are careless acts that can result in serious injury.
23. Maintain a balanced stance at all times so that you do not fall or lean against the cutterhead or other moving parts. Do not overreach or use excessive force to perform any machine operation.
24. Use the right tool at the correct speed and feed rate. Do not force a tool or attachment to do a job for which it was not designed. The right tool will do the job better and safer.
25. Use recommended accessories; improper accessories may be hazardous.
26. Maintain tools with care. Keep knives sharp and clean for the best and safest performance. Follow instructions for lubricating and changing accessories.
27. Turn off the machine before cleaning. Use a brush or compressed air to remove chips or debris — do not use your hands.
28. Do not stand on the machine. Serious injury could occur if the machine tips over.
29. Before turning on machine, remove all extra equipment such as keys, wrenches, scrap, stock, and cleaning rags away from the machine.
30. Never leave the machine running unattended. Turn the power off and do not leave the machine until the cutterhead comes to a complete stop.
31. Always use a hold-down or push block when surfacing stock less than 12" inches long, or 3 inches wide, or 3 inches thick.
32. Do not perform jointing operations on material shorter than 8", narrower than 3/4" or less than 1/4" thick.
33. The hands must never be closer than 3 inches to the cutterhead (see Figure at right).
34. Never apply pressure to stock directly over the cutterhead. This may result in the stock tipping into the cutterhead along with the operator's fingers. Position hands away from extreme ends of stock, and push through with a smooth, even motion. Never back workpiece toward the infeed table.
35. Do not make cuts deeper than 1/2" when rabbeting. On other cuts such as edging, surfacing, etc., depth of cut should not be over 1/8" to avoid overloading the machine and to minimize chance of kickback.
36. To avoid kickback, the grain must run in the same direction you are cutting. Before attempting to joint, or plane, each work piece must be carefully examined for stock condition and grain orientation.
37. When working with a swirl grain wood or burls, making it necessary to plane against the grain, use a lesser depth of cut and a slow rate of feed.
38. Move the hands in an alternate motion from front to back as the work continues through the cut. Never pass the hands directly over the cutter knives. As one hand approaches the knives remove it from the stock in an arc motion and place it back on the stock in a position beyond the cutter knives.
39. At all times hold the stock firmly.



Familiarize yourself with the following safety notices used in this manual:

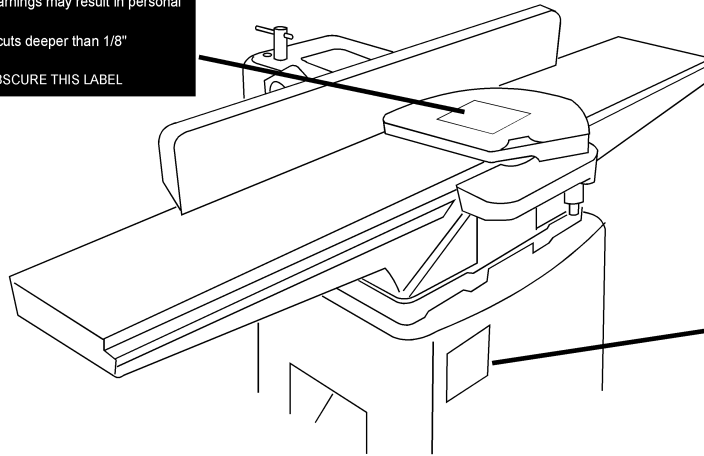
**CAUTION** This means that if precautions are not heeded, it may result in minor injury and/or possible machine damage.

**WARNING** This means that if precautions are not heeded, it may result in serious injury or possibly even death.

**WARNING**

1. Keep guard in place and in operating condition at all times.
2. Do not place objects on this guard.
3. Never move guard with your hand while machine is running.
4. Failure to comply with these warnings may result in personal injury or death.
5. Never make jointing or planer cuts deeper than 1/8"

DO NOT REMOVE OR OBSCURE THIS LABEL



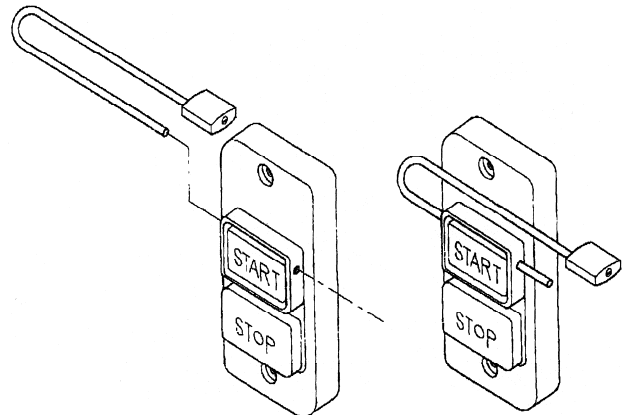
**WARNING**

1. For your own safety, read instruction manual before operating jointer.
2. Do not expose to rain or use in damp locations. Ne pas exposer à la pluie et ne pas utiliser dans les emplacements humides.
3. Always keep cutterhead and drive guards in place and in proper operating condition.
4. Never make jointing or planing cuts deeper than 1/8".
5. Always use hold-downs/push blocks for jointing material narrower than 3" or planing material thinner than 3".
6. Never perform jointing or planing cuts on pieces shorter than 8" in length.
7. Remove or fasten loose articles of clothing such as neckties, etc. Contain long hair and remove all jewelry.
8. Use approved safety glasses and/or face shields to protect eyes.
9. Disconnect machine from power source before performing any maintenance, adjustments or cleaning.
10. Never operate this machine while under the influence of drugs or alcohol.
11. Failure to comply with these warnings may result in serious personal injury.

DO NOT REMOVE OR OBSCURE THIS LABEL

### On-Off Switch Padlock

The jointer is equipped with a push-button switch that will accept a safety padlock (not included). To safeguard your machine from unauthorized operation and accidental starting by young children, the use of a padlock is highly recommended – see figure at right.



On-Off Switch Padlock

## Introduction

This manual is provided by Powermatic covering the safe operation and maintenance procedures for the Powermatic Model 54A and 54HH Jointers. This manual contains instructions on installation, safety precautions, general operating procedures, maintenance instructions and parts breakdown. This machine has been designed and constructed to provide years of trouble free operation if used in accordance with instructions set forth in this manual. If there are any questions or comments, please contact your local supplier or Powermatic, or visit our web site: [www.powermatic.com](http://www.powermatic.com).

## Specifications

Model .....	54A.....	54HH
Stock Number:		
Jointer and Stand.....	1791279DXK.....	1791317K
Jointer only.....	2365013DX.....	1791317
Table Size (in.) .....	7-1/4 x 66.....	7-1/4 x 66
Table support .....	dove-tailed ways.....	dove-tailed ways
Cutterhead Style.....	straight w/ quick-set knives.....	helical
Knives .....	3 double-edged.....	40 four-sided inserts
Number of cutterhead rows.....	--.....	6
Cutterhead Speed (RPM) .....	6000.....	6000
Cuts per Minute.....	18,000.....	not applicable
Cutting capacity (in.).....	1/2" x 6".....	1/2" x 6"
Blade Size (in.).....	6-1/16" x 3/4 x 5/64.....	0.10T x 0.59 x 0.59
Switch .....	push button.....	push button
Fence size overall (in.).....	4 x 38.....	4 x 38
Fence tilt (degrees).....	+/- 45.....	+/- 45
Stops.....	- 45, 45, and 90 degrees.....	- 45, 45, and 90 degrees
Table Surface Height (in.).....	31-1/2.....	31-1/2
Motor.....	TEFC, 1 HP, 1 PH, 115/230V*, 60Hz.....	TEFC, 1 HP, 1 PH, 115/230V*, 60Hz
Overall Dimensions (LxWxH)(in.).....	66 x 24 x 37-1/2.....	66 x 24 x 37-1/2
Jointer Bed Weight (lbs.).....	254.....	254
Stand Weight (lbs.) .....	80.....	80

\* (pre-wired 115V)

The above specifications were current at the time this manual was published, but because of our policy of continuous improvement, Powermatic reserves the right to change specifications at any time and without prior notice, without incurring obligations.

## Unpacking

Upon delivery, open shipping containers and check that all parts are in good condition. Any damage should be reported to your distributor and shipping agent immediately. Before proceeding further, read your manual and familiarize yourself thoroughly with assembly, maintenance and safety procedures.

Compare the contents of your container with the following parts list to make sure all parts are intact. Missing parts, if any, should be reported to your distributor. Read the instruction manual thoroughly for assembly, maintenance and safety instructions.

## Shipping Contents

**Note:** This unit is shipped in two cartons.

### Stand Carton

- 1 Jointer Stand
- 1 Door with Mounting Hardware
- 1 Dust Chute with Mounting Hardware

### Main Unit Carton

- 1 Jointer Assembly
- 1 Fence Assembly
- 1 Pulley Cover
- 1 Belt
- 1 Cutterhead Guard
- 2 Push Blocks
- 1 Fence Handle
- 1 Hardware Package

### Hardware Package (all models):

(p/n PM54A-HP, see Figure 1)

- 4 1/4-20 x 1/2" Pan Head Screws (A)
- 3 3/8" x 5/8" Spring Washers (B)
- 4 1/4-20 x 1/2" Flat Washers (C)
- 3 Lock Bolts (D)

### Hardware Package - model 54A only

(p/n PM54A-HP2)

- 1 8/10mm Open End Wrench
- 1 12/14mm Open End Wrench
- 1 3mm Hex Wrench
- 1 4mm T-Hex Wrench
- 1 8mm Hex Wrench
- 1 Cross Point Screwdriver

### Hardware Package - model 54HH only

(p/n PM54HH-HP, see Figure 2)

- 1 8/10mm Open End Wrench
- 1 12/14mm Open End Wrench
- 1 3mm Hex Wrench
- 2 Star Point Screwdrivers (E)
- 5 Knife Inserts (F)
- 10 Knife Insert Screws (G)
- 1 Cross Point Screwdriver

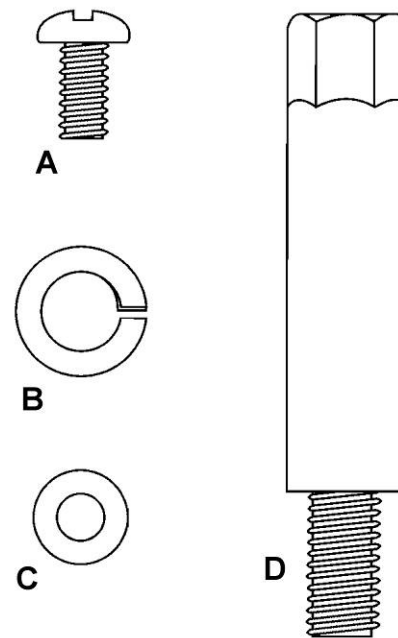


Figure 1  
PM54A-HP Hardware Package contents  
(all models)

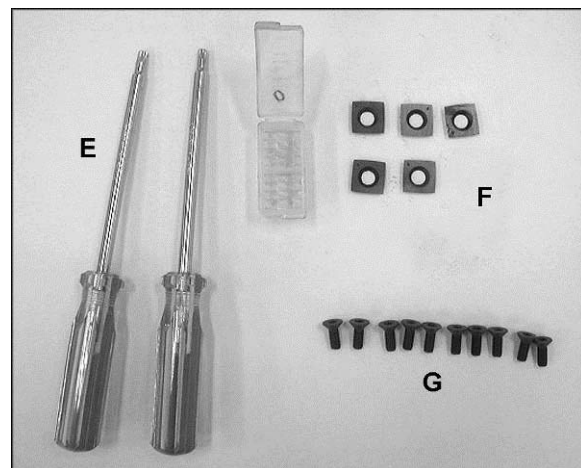


Figure 2  
PM54HH-HP Hardware Package partial contents  
(54HH only)

## Tools Required

open end wrenches (8, 10, 12, 14, & 19mm)  
hex wrenches (3 & 6mm)



# Assembly

## Unpacking and Cleanup

Locate the jointer in an area that is level and provides a solid foundation. Make sure that any potential kickback is not in line with aisles, doorways, wash stations or other work areas.

1. Carefully finish removing all contents from both shipping cartons. Compare contents of the shipping cartons with the list of contents on page 8. Place parts on a protected surface.
2. Set packing material and shipping cartons to the side. Do not discard until machine has been set up and is running properly.

**⚠ WARNING** Cutterhead knives are dangerously sharp; use extreme caution when cleaning. Failure to comply may cause serious injury!

3. Moisten a soft cloth with kerosene and remove the protective coating from all machined surfaces of the jointer. Do NOT use an abrasive pad. Do not use gasoline, acetone or lacquer thinner, as these may damage painted surfaces.
4. Apply a thin layer of paste wax to the exposed surfaces of the fence and tables to prevent rust. Alternatively, white talcum powder rubbed in vigorously once a week with a blackboard eraser will fill any casting pores and form a moisture barrier. Talcum powder will not stain wood or mar finishes.



Figure 3

## Installing Bed to Stand

1. Position the jointer on the stand so that the pulley attached to the cutterhead on the jointer is directly above and on the same side as the motor pulley.
2. Use three lock bolts and spring washers (Figure 3) to firmly fasten the jointer to the stand. The bolts are threaded up through the holes in the stand into the base of the jointer (Figure 4).
3. Use a 14mm wrench to tighten the lock bolts.

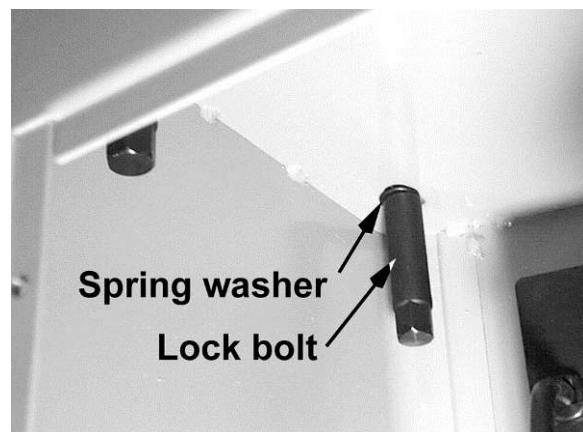


Figure 4

## Installing Fence to Bed

Referring to Figure 5:

1. Before moving the fence assembly, secure the tilt lock handle (K).

**CAUTION** Secure the tilt lock handle to avoid personal injury from moving parts.

2. Place the *key* (F) into the machined slot of the *fence support* (G) as shown. The *spring pin* (E) should go into the hole in the slot. The *key* (F) should be firmly seated in the slot.
3. Lightly coat the mating surfaces of the *fence support* (G) and *fence slide base* (B) with oil.
4. Place the *fence slide base* (B) on the *fence support* (G), aligning the *machined slot* (D) in the fence slide base with the *key* (F).
5. Attach the *flat washer* (H) and two *hex nuts* (J) on to the *locking screw* (A) but do not tighten.
6. Orient the *lock handle* (C) in the position as shown; then tighten the hex nuts (J) with a 19mm wrench.

This is the locked position for the fence assembly. Rotating the lock handle (C) clockwise loosens the fence assembly, permitting you to slide the assembly back and forth. The hex nuts may need to be readjusted to allow the fence to slide back and forth (handle clockwise position) and still sufficiently secure the fence (lock handle positioned as shown in C).

When the locking screw (A) is tightened, the fence should be secure.

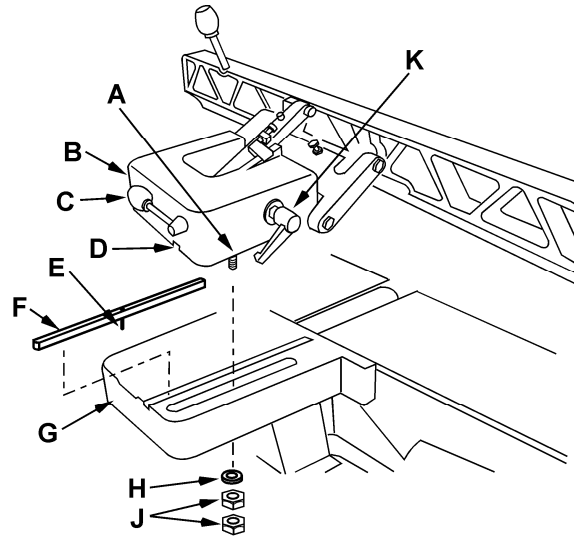


Figure 5

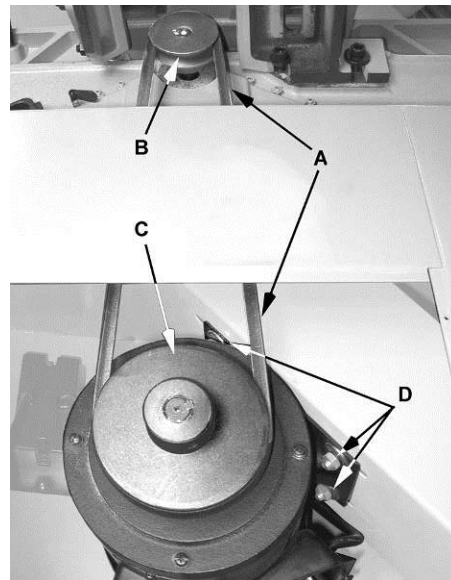


Figure 6

## Installing the Drive Belt

Referring to Figure 6:

1. Place *V-belt* (A) onto *cutterhead pulley* (B) and through opening in stand.
2. Pull V-belt down and place onto the *motor pulley* (C).

If the belt is difficult to roll on the pulley, loosen the *motor mounting screws* (D). Then raise the motor as high as possible and mount the belt on to both pulleys. Allow the motor to drop and create tension on the belt.

3. Check to make sure that motor pulley and cutterhead pulley are vertically aligned and the V-belt does not contact the sides of the opening in the base. If the pulleys are not aligned, remove belt and adjust the motor pulley in or out on the motor shaft and then re-attach the belt.

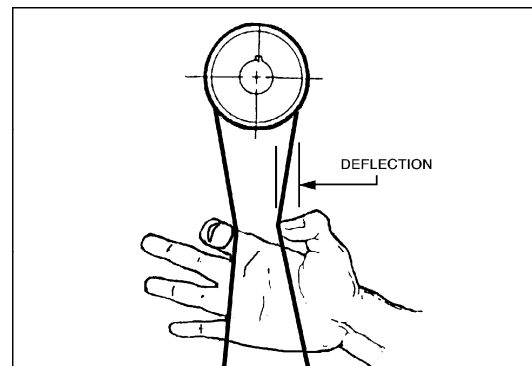


Figure 7

- Pull down on the motor to achieve the desired belt tension.

The V-belt is properly tensioned when finger pressure on the belt half way between the two pulleys causes 1/2" deflection (Figure 7).

- Tighten the mounting bolts.

After two hours of operation, check belt tension again. Readjust the tension if necessary.

### Installing the Pulley Cover

Referring to Figure 8:

- Place the *pulley cover* (A) over the opening in the stand.
- Line up the holes in the stand with the holes in the guard.
- Attach the *pulley cover* to the *stand* using four 1/4-20 x 1/2" *pan head screws* and 1/4" *flat washers* (B).

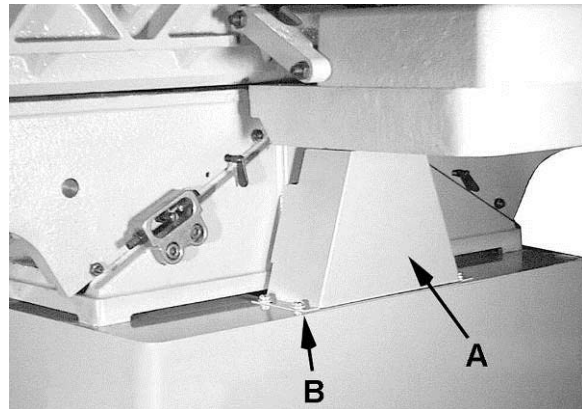


Figure 8

### Installing Cutterhead Guard

- Remove the screw from the guard post.

Referring to Figure 9:

- Turn spring knob (B) approximately one-half revolution counter-clockwise (as viewed from the top) and hold.
- Insert the guard post into hole in table. Make sure that the spring inside the spring knob (B) engages the slot in guard post. If needed, slightly turn the knob until the guard seats itself.
- Thread the screw (C) back into the *guard post*.
- Check for proper operation. The *cutterhead guard* (A) must return fully to the fence when released. If guard does not return fully, pull guard, apply more tension to the *spring knob* (B) by turning it another half turn counter-clockwise, and re-insert guard. If guard closes too quickly and strikes fence too hard, reverse the process.
- Insert screw (C) back into the guard post.

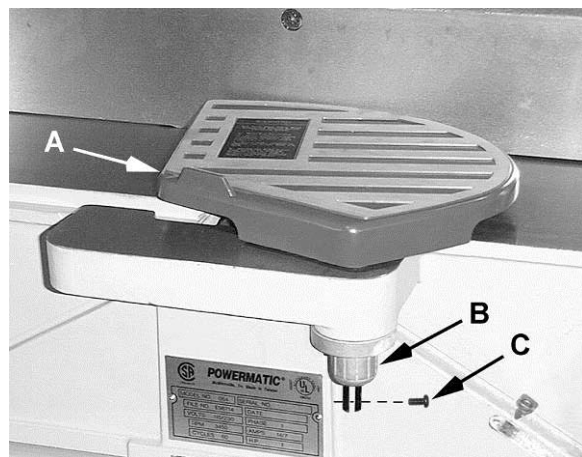


Figure 9

### Installing Access Door and Dust Chute

Referring to Figure 10:

Install *access door* (C) by placing bottom of panel in the stand and fastening with four 1/8 x 3/8 *pan head screws* (A) and four 1/8" *flat washers* (B).

Attach the *dust chute* (D) to the base with four 1/4" x 1/2" *machine screws* and four 1/4" *flat washers* (E).

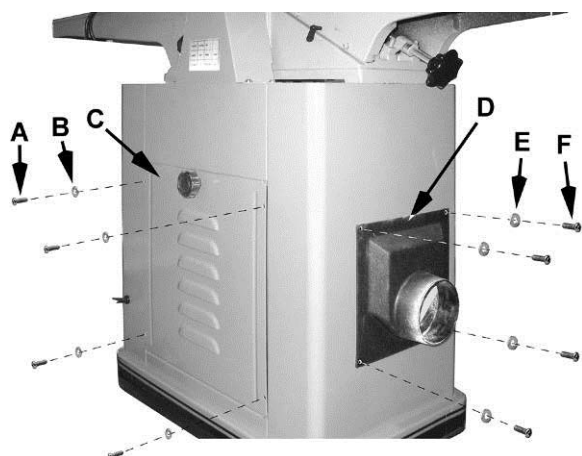


Figure 10

# Electrical

## Grounding Instructions

**CAUTION** This jointer must be grounded while in use to protect the operator from electric shock.

In the event of a malfunction or breakdown, grounding provides a path of least resistance for electric current to reduce the risk of electric shock. This tool is equipped with an electric cord having an equipment-grounding conductor and a grounding plug. The plug must be inserted into a matching outlet that is properly installed and grounded in accordance with all local codes and ordinances.

Do not modify the plug provided. If it will not fit the outlet, have the proper outlet installed by a qualified electrician. Improper connection of the equipment-grounding conductor can result in a risk of electric shock. The conductor, with insulation having an outer surface that is green with or without yellow stripes, is the equipment-grounding conductor. If repair or replacement of the electric cord or plug is necessary, do not connect the equipment-grounding conductor to a live terminal.

Check with a qualified electrician or service personnel if the grounding instructions are not completely understood, or if in doubt as to whether the tool is properly grounded. Use only three wire extension cords that have three-prong grounding plugs and three-pole receptacles that accept the tool's plug.

Repair or replace a damaged or worn cord immediately.

## 115 Volt Operation

Referring to Figure 11:

As received from the factory, your Woodworking Jointer is ready to run at 115-volt operation. This Jointer, when wired for 115 volt, is intended for use on a circuit that has an outlet and a plug that looks like the one illustrated in (A). A temporary adapter, which looks like the adapter shown in (B), may be used to connect this plug to a two-pole receptacle if a properly grounded outlet is not available.

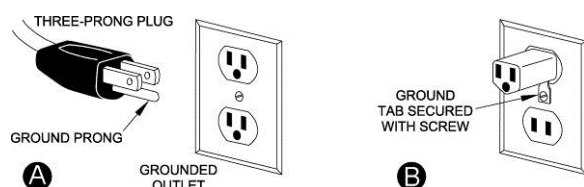


Figure 11

The temporary adapter should only be used until a properly grounded outlet can be installed by a qualified electrician. This adapter is not applicable in Canada. The green colored rigid ear, lug, or tab, extending from the adapter, must be connected to a permanent ground such as a properly grounded outlet box.

## 230 Volt Operation

Referring to Figure 12:

If 230V, single-phase operation is desired, the following instructions must be followed:

1. Disconnect the machine from the power source.
2. The Jointer motor has four numbered leads that are factory connected for 115V operation, as shown in (A). For 230V operation reconnect the leads as shown in (B). This is also shown in the diagrams on pages 39 and 40.
3. The 115V attachment plug (C) supplied with the Woodworking Jointer must be replaced with a UL/CSA listed plug suitable for 230V operation (D). Contact your local Authorized Powermatic Service Center or qualified electrician for proper procedures to install the plug. The Woodworking Jointer must comply with all local and national codes after the 230-volt plug is installed.
4. The Jointer with a 230-volt plug should only be connected to an outlet having the same configuration as shown in (D). No adapter is available nor should be used with the 230-volt plug.

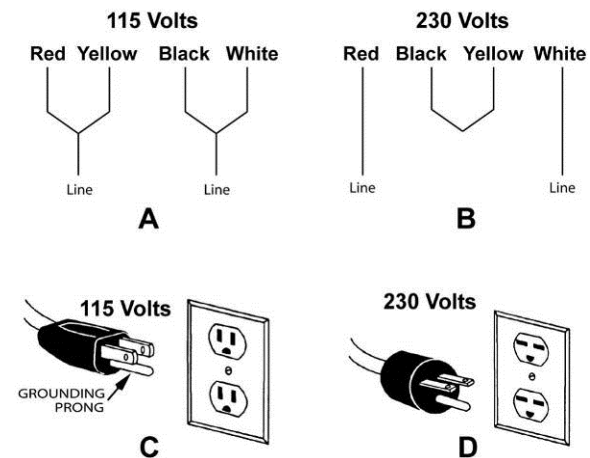


Figure 12

## Extension Cords

The use of extension cords is discouraged. Try to position equipment within reach of the power source. If an extension cord becomes necessary, make sure it is in good condition, and heavy enough to carry the current your machine will draw. An undersized cord will cause a drop in the line voltage resulting in power loss and overheating. Table 1 shows the correct size to use depending on the cord length and nameplate ampere rating. If in doubt, use the next heavier gauge. Remember, the smaller the gauge number, the heavier the cord.

Recommended Extension Cord Gauges

Amps	Extension Cord Length in Feet *					
	25	50	75	100	150	200
< 5	16	16	16	14	12	12
5 to 8	16	16	14	12	10	NR
8 to 12	14	14	12	10	NR	NR
12 to 15	12	12	10	10	NR	NR
15 to 20	10	10	10	NR	NR	NR
21 to 30	10	NR	NR	NR	NR	NR

\*based on limiting the line voltage drop to 5V at 150% of the rated amperes.

NR: Not Recommended.

Table 1

## Adjustments

### Fence Movement

The fence can be moved forward or backward across the width of the table. It also tilts up to 45 degrees forward and has a positive stop at 90 degrees.

The fence assembly should periodically be moved to different positions when edge jointing to distribute wear on the cutterhead knives.

Referring to Figure 13:

*To slide the fence forward or backward:*

1. Loosen the *lock handle* (A).
2. Push the entire fence assembly to the desired position, and tighten the locking handle.

*To tilt fence forward:*

The fence can be tilted forward to any angle down to 45 degrees.

1. Loosen the *lock handle* (B).
2. Adjust the fence to the desired level down to 45 degrees. Or you can place your reference piece on the table and against the fence, and adjust the fence until the angle of the fence matches the bevel of your gauge piece.
3. Tighten *lock handle* (B).

*To tilt fence backward:*

The fence can be tilted backward up to 45° (that is, for a total included angle of 135° from table surface).

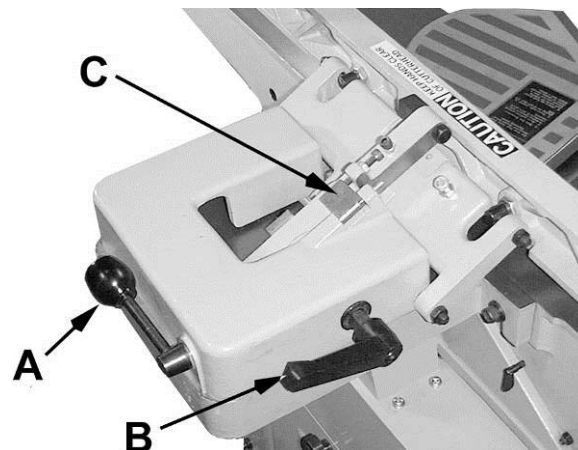


Figure 13

1. Loosen *lock handle* (B).
2. Flip the 90° *stop block* (C) out of the way.
3. Adjust the fence to the desired angle up to 135 degrees. Or you can place your beveled reference piece on the table and against the fence, adjusting the fence until the angle of the fence matches the bevel of your reference piece.
5. Tighten *lock handle* (B).

**Important:** When the tilted operation is finished and the fence is returned to 90°, do not forget to flip the 90° *stop block* (C) back to its original position.

## Fence Stop Adjustments

Periodically check the 90° and 45° backward (135°) tilt accuracy of the fence with an angle measuring device, such as an adjustable square or machinist's protractor.

### 90° Stop Adjustment

Referring to Figure 14:

The 90° stop is controlled by the *stop bolt* (F) and the *stop block* (C).

1. Set the infeed table to approximately the same height as the outfeed table.
2. Move the fence by releasing *lock handle* (A) and pushing the fence assembly until it overlaps the tables.
3. Tighten *lock handle* (A).
4. Adjust the fence to a 90° angle by releasing *lock handle* (B), pulling up on the *fence handle* (E), and tightening the *lock handle* (B).

**Note:** The *stop bolt* (F) should be resting against the *stop block* (C).

5. Place an angle measuring device on the table and against the fence to confirm a 90° setting (A, Fig. 15).
6. If the fence is not square to the table, release the *lock handle* (B), loosen the *lock nut* (D) that secures the *stop bolt* (F), and turn the stop bolt until the fence is square to the table.
7. Tighten the *lock nut* (D) to secure the *stop bolt* (F) which retains the setting.
8. Tighten the *lock handle* (B).

### 45° Forward Stop Adjustment

Position the fence tilt lever (E, Fig. 14) toward the operator.

The 45 degree forward stop is controlled by the *cap screw* (G, Fig. 14). The adjustment is done the same way as for the 90 degree stop adjustment except that a 45 degree protractor is used.

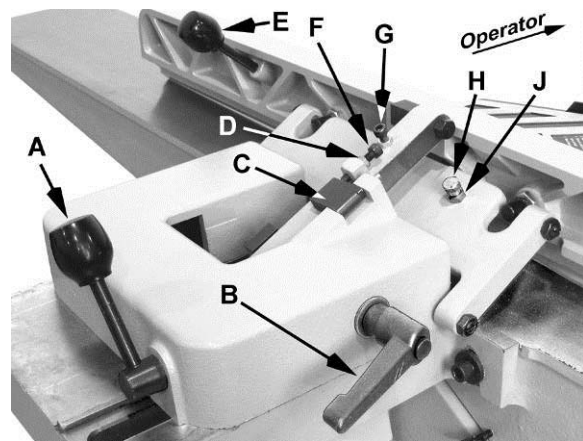


Figure 14

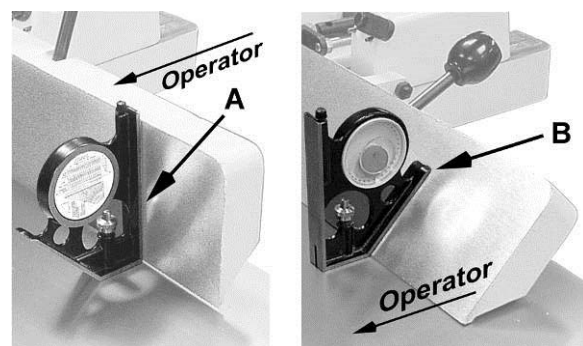


Figure 15

### 45° Fence Backward Stop Adjustment

Referring to Figure 14:

The 45° fence backward stop is controlled by the *stop bolt* (H).

1. Loosen the lock handle (B).
2. Move the stop block (C) out of the way and position the fence at the 135° angle; fence tilt lever (E) is positioned away from the operator as shown. Make sure the fence sits against the *stop bolt* (H).
3. Tighten the lock handle (B).
4. Place an angle measuring device on the table and against the fence to confirm a 135° setting (B, Fig. 15).
5. To adjust, loosen the *lock nut* (J) securing the *stop bolt* (H) and turn the stop bolt until a 135° angle of the fence is obtained.
6. Tighten the *lock nut* (J).

## Infeed Table Height Adjustment

Refer to Figures 16 – 18.

*Initial (Coarse) Adjustment:*

1. Loosen the rear *thumb screw* (D) and the *lock knob* (B).
2. **Raise or lower** the *height adjustment handle* (C) until the *scale* (A, Fig. 16 and Figure 17) reads approximately the desired depth of cut.

If you can't adjust to zero or 1/8", see the *Helpful Hint* below.

*Fine Adjustment:*

3. Turn the locking handle (B) until it is snug.
4. **Rotate** the *height adjustment handle* (C) until the scale reads exact. Clockwise raises the table, counterclockwise lowers the table.

**Note:** The height adjustment handle (C) has a fine adjustment of 1/16" travel per rotation.

5. When set, retighten the *thumb screw* (D).

**Important:** For normal operations, the depth of cut should *never exceed 1/8"*, except for rabbetting operations.

**Helpful Hint:** Occasionally you will find that you cannot set the coarse adjustment all the way up to zero or all the way down to 1/2" on the *Depth of Cut* scale (Figure 17) when raising or lowering the handle (C, Fig. 16). When this happens:

With the *lock knob* (B, Fig. 16) unlocked, *rotate* the *height adjustment handle* (C, Fig. 16) a few times, then raise or lower it. Once you are able to reach the zero or 1/2" setting (Figure 17), you will again be able to swing the handle (C) through the full range.

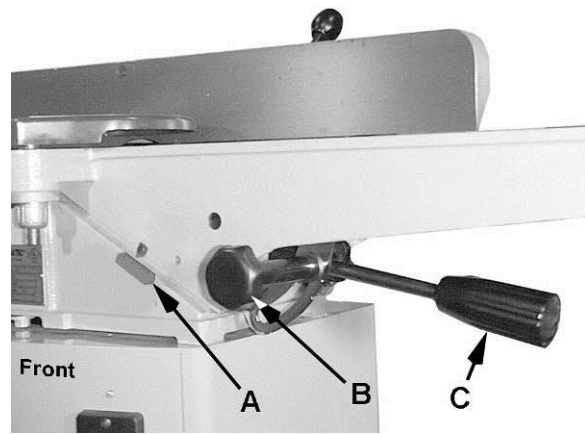


Figure 16

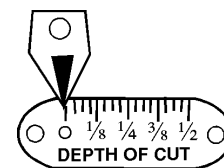


Figure 17

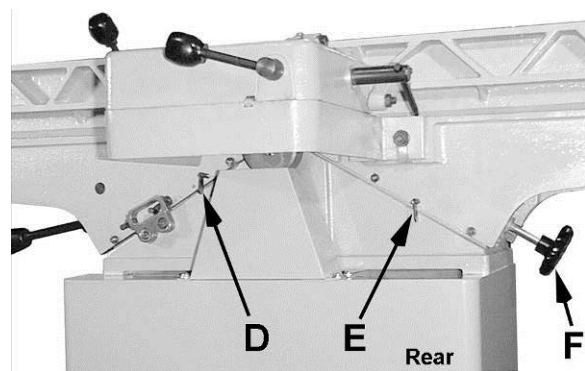


Figure 18

## Infeed Table Travel Limiter

Referring to Figure 19:

The *infeed table travel limiter* located on the back of the table sets the upper and lower range for the infeed table height adjustment and should not require any adjustments. For *infeed table height adjustment* refer to the preceding section.

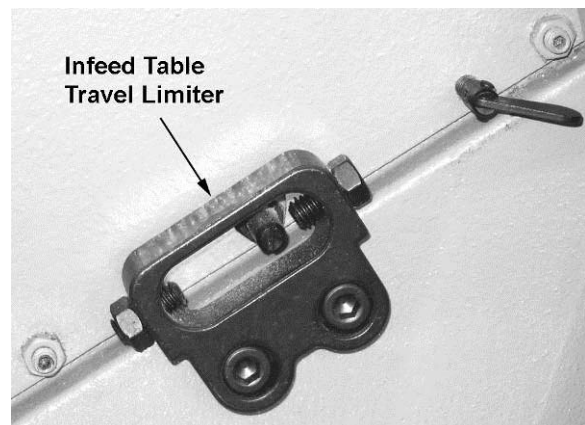


Figure 19

## Table Gib Adjustment

The *infeed* and *outfeed* table gibs on your machine are factory adjusted and initially should not require re-adjustment. After a period of use, the gibs may become loose, introducing play and causing the tables to sag. This requires adjustment.

To adjust (refer to Figure 20):

1. With a 10mm wrench, loosen the *jam nuts* that secure the *gib set screws* (A or B).
2. Have another person support the end of the table, slightly raising it while you make adjustments.
3. With a 3mm hex wrench, tighten each setscrew 1/4 turn starting with the lower one, then the upper one. If a 1/4 turn does not remove the table play, take another 1/4 turn. Repeat a 1/4 turn at a time for both set screws until play is removed.  
**Note:** If the gibs are too tight the *adjustment handles* (C) will be difficult to turn.
4. When adjustment is complete, hold the set screws in position with the 3mm hex wrench to maintain the setting while tightening the jam nuts with the 10mm wrench.

## Outfeed Table Height Adjustment

When you receive the jointer, the knives have been pre-set at the factory. However, the height and parallelism of the knives with the outfeed table should be checked and any needed adjustments made before putting the jointer into operation.

Adjust the height of the outfeed table as follows:

1. Disconnect jointer from power source.
2. Carefully number each blade (model 54A only) with a marker to make them easier to differentiate.
3. Place a straightedge upon the outfeed table and extend it over the cutterhead (Figures 21 and 23).

**⚠ WARNING** Planer knives and knife inserts are dangerously sharp. Do not grab the cutterhead itself to rotate it!

4. Rotate the *cutterhead*, using the drive belt or pulley, until *knife number one* (or a knife insert on the 54HH model) is at its highest point. The apex of the knife should just barely come in contact with the straightedge.

If the apex of the *knife number one* just makes contact with the straightedge, no adjustment is required for the outfeed table. Proceed to the *Setting Cutterhead Knives* section.

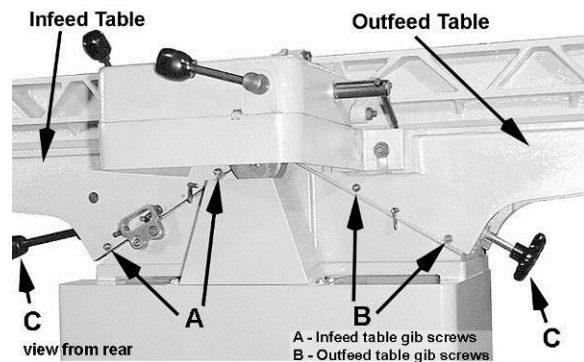


Figure 20

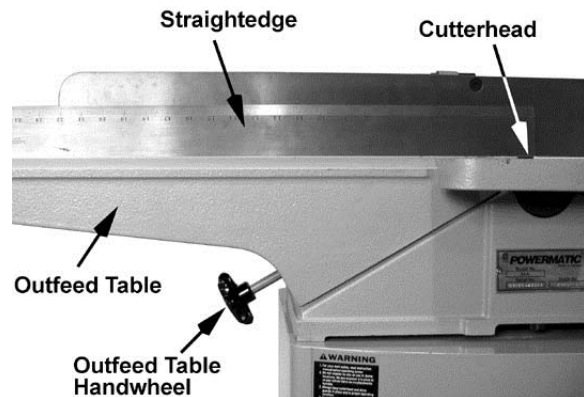


Figure 21



If the apex of the *knife number one* comes below the straightedge (a gap exists) or pushes the straightedge up, proceed with the following steps:

5. Loosen both *gib lock screws* (Figure 22).
6. With the *outfeed table handwheel* (Figure 21) raise or lower the *outfeed table* until the *straight edge* contacts the *knife tip*, as shown in Figure 23. Using the drive belt or pulley, rock the cutterhead slightly to make sure the apex of the knife is just barely contacting the *straight edge*.

When adjustment is complete:

7. Lock the *outfeed table* to this height setting by tightening the *gib lock screw* (Figure 22). The outfeed table adjustment is complete.

The outfeed table adjustment is only made against one knife or knife insert (blade number one was arbitrarily selected here). After the outfeed table has been set at the correct height, do not change it except for special operations or after replacing knives.

After this adjustment is completed on the model 54A, it is necessary to proceed to the *Setting Cutterhead Knives* section to verify that all three knives are at the correct height and parallel to the outfeed table. For the model 54HH, proceed to *Replacing or Rotating Knife Inserts* on page 20.

### Setting Cutterhead Knives (Model 54A only)

**Note:** Before setting knives for the 54A Jointer, the *Outfeed Table Height Adjustment* should be done to ensure the proper knife height in relation to the outfeed table.

Knives for the 54A cutterhead are adjusted by means of a cam. It is important to note that the entire adjustment is accomplished within one complete rotation (360 degrees) of the cam. A full rotation of the cam will cause the knife blade to move a total of .015" from one extreme to the other. Turning the cam more than one full rotation will not further adjust the knife setting, but will simply begin the adjustment all over again. The knife adjustment procedure is outlined below.

**⚠WARNING** Cutterhead knives are dangerously sharp! Use extreme caution when inspecting, removing, sharpening or replacing knives into the cutterhead. Failure to comply may cause serious injury!

To adjust (refer to Figures 24 & 25):

1. Disconnect jointer from power source.

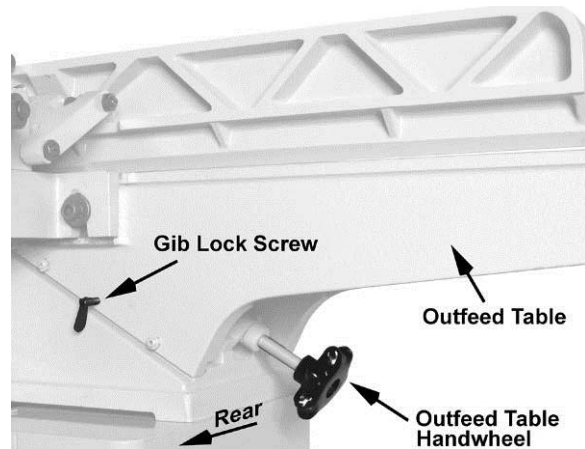


Figure 22

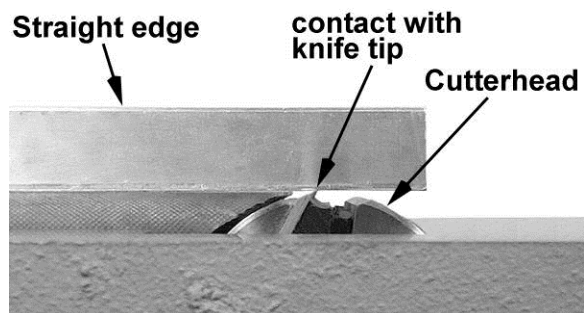


Figure 23

2. Carefully number each blade with a marker to make them easier to differentiate.
3. Place a straightedge across the outfeed table extending it over the cutterhead *towards one end of the knife*.

**⚠WARNING** Cutterhead knives are dangerously sharp. Do not grab the cutterhead itself to rotate it! Failure to comply may cause serious injury.

4. Rotate the cutterhead *back and forth* using the drive belt or pulley, until *knife number one* is at its highest point. The apex of the knife should just barely come in contact with the straightedge.
5. Move the straightedge *towards the other end of the knife* and repeat step 4.

The apex of the knife *at both ends of the knife* must *just make contact* with the straightedge. If the apex of the knife comes below the straightedge (a gap exists) or pushes the straightedge up, proceed to the next step.

6. Using a 4mm hex wrench, slightly loosen the four gib screws.
7. Using a 3mm hex wrench, loosen the cam locking screws to permit adjustment of the cam (described in the next step).

**Important:** Always keep the cam locking screws snug enough so that the cam can't rotate freely. This is especially important for when the cam is rotated counterclockwise since this action will cause the cam locking screw to loosen further.

8. Using an 8mm hex wrench, adjust the cam (see Figure 25). This is a very sensitive adjustment. Start by rotating the cam in a clockwise direction just a few degrees.
9. Next, keep the cutterhead steady by firmly holding on to the pulley, place a piece of wood pressed against the knife's edge and press to properly seat the blade.
10. Check your progress by repeating steps 4 and 5. If the knife becomes more out of adjustment, turn the cam in the other direction.
11. The adjustment is almost complete when the requirements described in Steps 4 and 5 are met.
12. Next, while pressing the knife firmly against the cam, snug the two inside gib screws that hold the gib and knife in place. Verify that the knife is still in adjustment (steps 4 and 5).
13. Tighten the two outside gib screws, then the two inside gib screws.

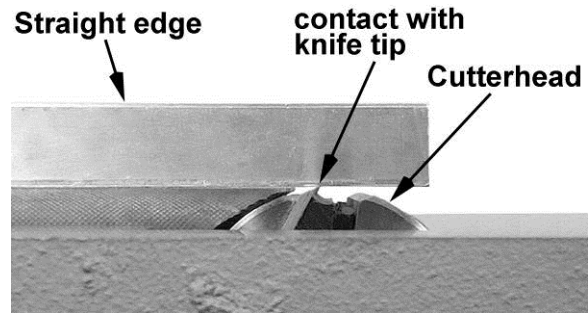


Figure 24

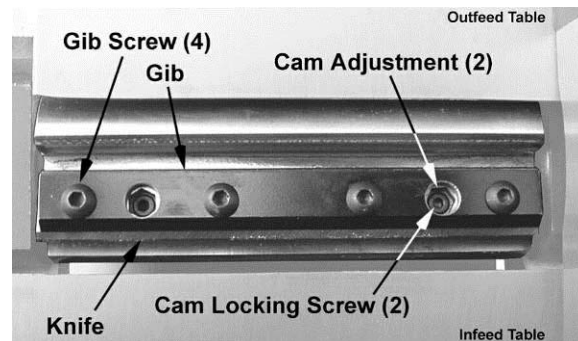


Figure 25

14. Verify that the knife is still in adjustment (steps 4 and 5).
15. Tighten the gib lock screws.
16. Repeat this entire procedure for the remaining two knives

### Replacing Knives (*Model 54A only*)

**⚠WARNING** Jointer knives are dangerously sharp. Use extreme caution when inspecting, removing, sharpening, or replacing knives. Failure to comply may cause serious injury.

To remove and replace a knife (Refer to Figure 26):

1. Remove four *gib screws* (A) with a 4mm hex wrench.
2. Remove the *gib* (B) and *knife* (C).
 

If the knife is being re-used (knives are double-edged), clean the knife, gib and cutterhead of all pitch and debris.
3. Lay the new knife or unused edge of the old knife back onto the *cutterhead* (D).
4. Replace the *gib* (B) and *screws* (A). Fingertighten only at this time.
5. Press against the cutting edge of the knife at the center of the blade with a piece of wood. **DO NOT USE FINGERS!** This is to ensure that the cam is making proper contact with the knife.
6. Snug the inside two screws, then the outside two screws.
7. Release the piece of wood pressing against the knife and tighten the gib screws.
8. Replace the remaining two blades by repeating steps 1 – 7.
9. Determine if knives need to be set.

Follow the *Outfeed Table Height Adjustment* section steps 3 and 4 only, to determine if knives need to be set. **Do not complete the entire outfeed table adjustment.** If knives need to be set, proceed to the *Setting Cutterhead Knives* section.

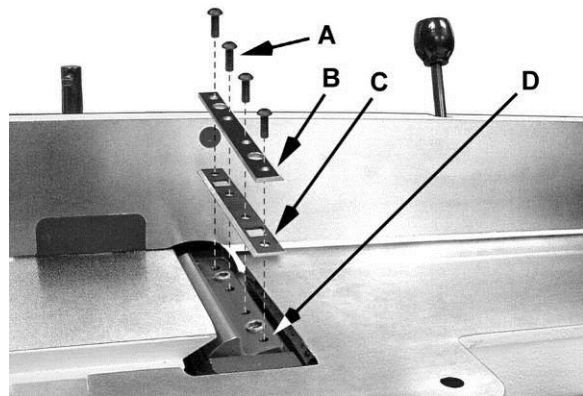


Figure 26

## Setting Knives for Rabbeting and Nicks (Model 54A only)

*NOTE: Rabbeting is not applicable on helical cutterhead models.*

To position the knives for rabbet cuts, take a shop scale with 1/32" graduations and place it against the end of the cutterhead. Slide the knife out until it is at the 1/32" mark on the scale; that is, the knife will now be 1/32" beyond the edge of the cutterhead. The gib should remain in normal position, even with the edge of the cutterhead. (Figure 27). This adjustment will ensure that the knife clears the end of the gib and cutterhead, and has good contact with the workpiece. (See the *Rabbet Cuts* section for further information.)

**Note:** This will also correct for small nicks without requiring replacement of blades.

## Replacing or Rotating Knife Inserts (Model 54HH only)

The knife inserts on the model 54HH Jointer are four-sided. When dull, simply remove each insert, rotate it 90° for a fresh edge, and re-install it.

Use the two provided star point screwdrivers to remove the knife insert screw. See Figure 28. Use one of the screwdrivers to help hold the cutterhead in position, and the other to remove the screw. It is advisable to rotate all inserts at the same time to maintain consistent cutting. However, if one or more knife inserts develops a nick, rotate only those inserts that are affected.

Each knife insert has an etched reference mark so that you can keep track of the rotations.

**IMPORTANT:** When removing or rotating inserts, clean saw dust from the screw, the insert, and the cutterhead platform. Dust accumulation between these elements can prevent the insert from seating properly, and may affect the quality of the cut.

Before installing each screw, lightly coat the screw threads with machine oil and wipe off any excess.

Securely tighten each screw which holds the knife inserts before operating the planer!

**⚠WARNING** Make sure all knife insert screws are tightened securely. Loose inserts can be propelled at high speed from a rotating cutterhead, causing injury.

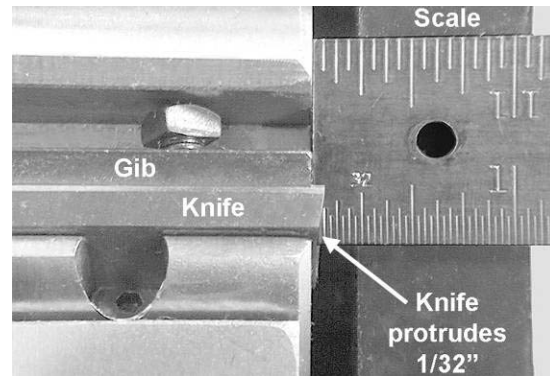


Figure 27

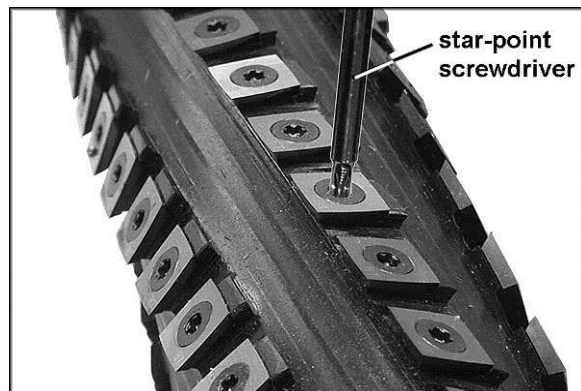


Figure 28

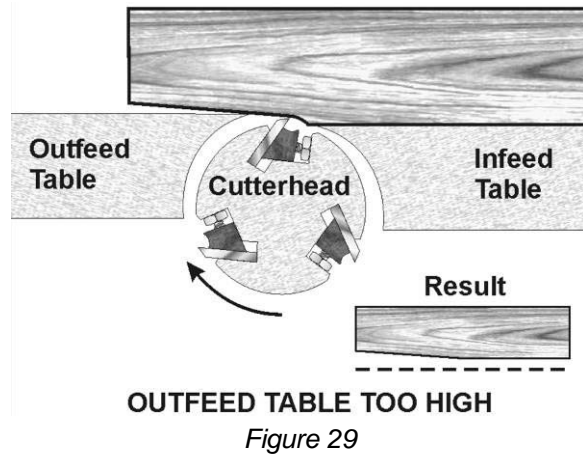
## Determining Correct Table Height

The *Outfeed Table Height Adjustment* section tells you how to set the correct table height with respect to the cutterhead knives or knife inserts. This section explains how to determine if the outfeed table needs adjustment based upon the cuts being produced.

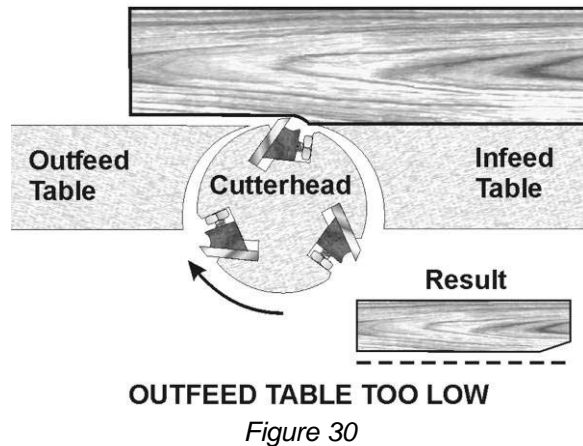
When you receive the jointer, the knives have been pre-set at the factory. However, the height and parallelism of the knives with the outfeed table should be checked and any needed adjustments made before putting the jointer into operation.

The *outfeed table* and *cutterhead knives* (Model 54A only) are correctly adjusted when all three blades are parallel to the outfeed table and all three blades are set at the same height in the cutterhead.

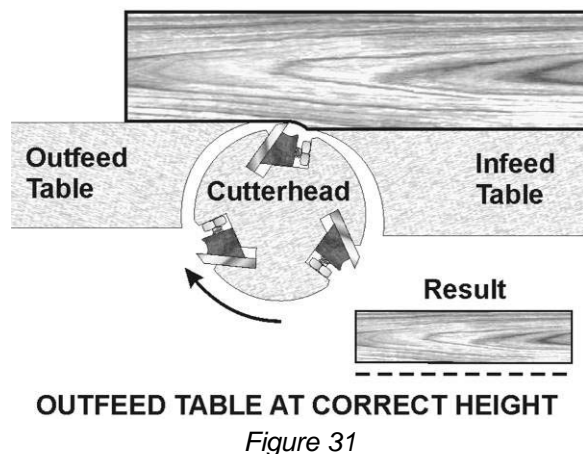
*Outfeed table too high* – If the outfeed table is too high, a curved finished surface results (Figure 29).



*Outfeed table too low* – If the outfeed table is too low, the work will have a gouge, or snipe, at the end of the cut (Figure 30).

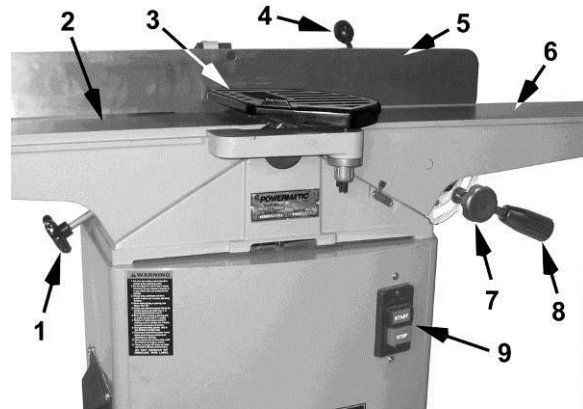


*Outfeed table at correct setting* – Figure 31 illustrates the correct setting of outfeed table level with the knives. The workpiece will rest firmly on both tables with no open space under the finished cut.



## Operating Controls

1. Outfeed Table Height Adjust Hand Wheel
2. Outfeed Table
3. Cutter Guard
4. Fence Adjustment Handle
5. Fence
6. Infeed Table
7. Infeed Table Lock Knob
8. Infeed Table Height Fine/Coarse Adjustment
9. On/Off Switch
10. Infeed Table Lock
11. Fence Travel Lock Handle
12. Fence Tilt Lock Handle
13. Outfeed Table Lock
14. Infeed Table Travel Limiter



Controls - Front View

Figure 32

## Operation

**IMPORTANT: Make sure all knives or knife inserts are tight before operating machine. On the helical head model, verify tightness of each insert (re-torque) before using the machine for the first time.**

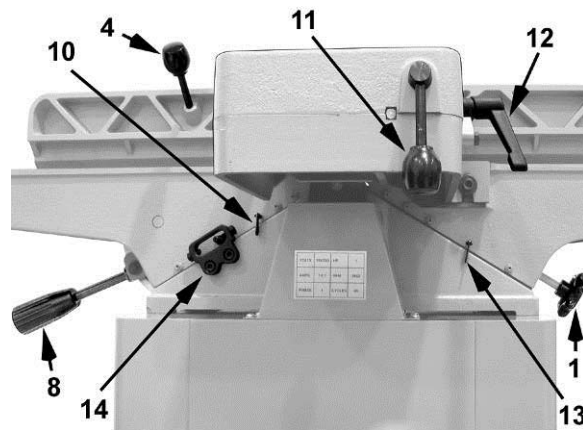
If you are inexperienced at jointing, use scrap pieces of lumber to check settings and get the feel of operations before attempting regular work.

Stabilize long workpieces by using an assistant, or roller stands set level with the outfeed or infeed table surface.

The fence should be adjusted to create minimum exposure to the cutterhead during the jointing operation.

Check the following before operating the jointer:

- ❑ Outfeed table must be set level with the high point of the knives. This is a one-time calibration and described in *Outfeed Table Height Adjustment* on page 16.
- ❑ Fence adjusted for minimum exposure of cutterhead, and locked at desired angle.
- ❑ The cutterhead guard must be in place and operating properly (except when rabbeting).
- ❑ Infeed table set for desired depth of cut. Refer to *Infeed Table Height Adjustment* on page 15.
- ❑ Stand away from the cutterhead and turn the machine on for a few moments. Listen for any odd noises, rubbings, vibrations, etc. Correct such problems before attempting operations on the jointer.
- ❑ Carefully check your workpiece for knots, holes, staples or any foreign material that might damage knives or pose a risk of kickback. Also check the workpiece for grain orientation.



Controls - Rear View

Figure 33

## Basic Operations

Before making any cuts on the stock, make a few practice cuts by raising the infeed table to "0" and with the power disconnected. In this manner you will acquaint yourself with the feel of jointer operations.

### Hand Placement

**⚠WARNING** Never pass hands directly over the cutterhead.

At the start of the cut, the left hand holds the workpiece firmly against the infeed table and fence while the right hand pushes the workpiece in a smooth, even motion toward the cutterhead (Figure 34). After the cut is under way, the new surface rests firmly on the outfeed table. The left hand is transferred to the outfeed side and presses down on this part of the workpiece, at the same time maintaining flat contact with the fence. The right hand presses the workpiece forward and before the right hand reaches the cutterhead it should be moved to the work on the outfeed table.

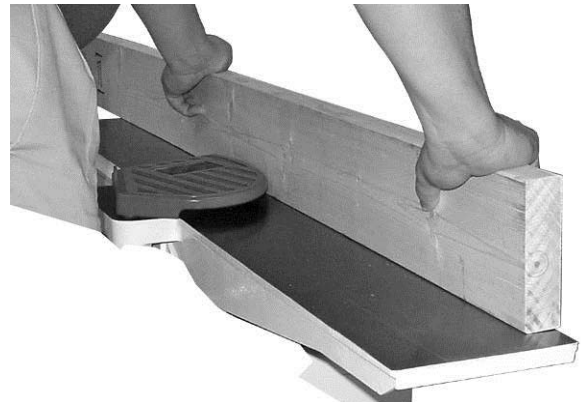


Figure 34

### Direction of Grain

Avoid feeding work into the jointer against the grain. This may result in chipped and splintered edges. See Figure 35. Feed *with* the grain to obtain a smooth surface, as shown in Figure 36.

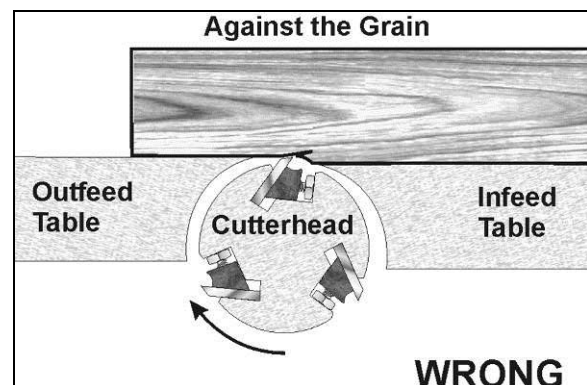


Figure 35

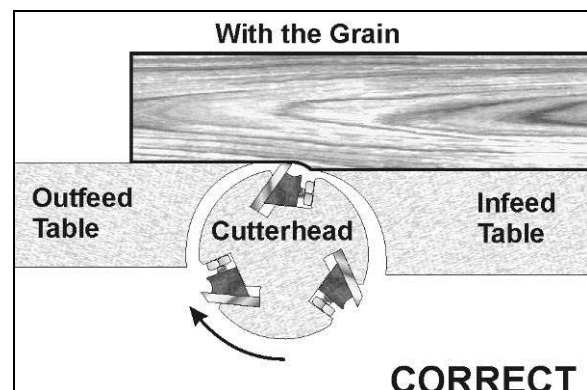


Figure 36

## Surfacing

The purpose of planing on a jointer is to produce one flat surface. The other side can then be milled to precise, final dimensions on a thickness planer resulting in a board that is smooth and flat on both sides and each side parallel to the other.

- ❑ If the wood to be jointed is cupped or bowed, place the concave side down, and take light cuts until the surface is flat.
- ❑ Use push blocks to help insure against hands coming in contact with cutterhead in the event of a kickback.
- ❑ Never surface pieces shorter than 12 inches or thinner than 3/8 inch without the use of a special work holding fixture.
- ❑ Never surface pieces thinner than 3 inches without the use of a push block.
- ❑ On stock longer than 12 inches use two push blocks (Figure 37).

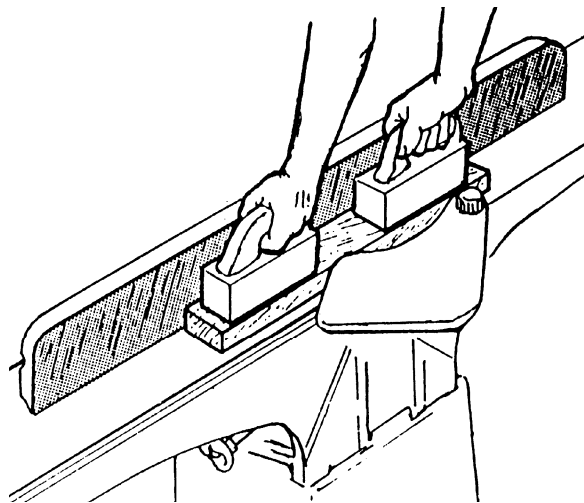


Figure 37

- ❑ With narrow stock use the type push block shown in Figure 38.

**CAUTION** When the stock is longer than twice the length of the infeed and outfeed tables, another helper or support table must be used to support the stock.

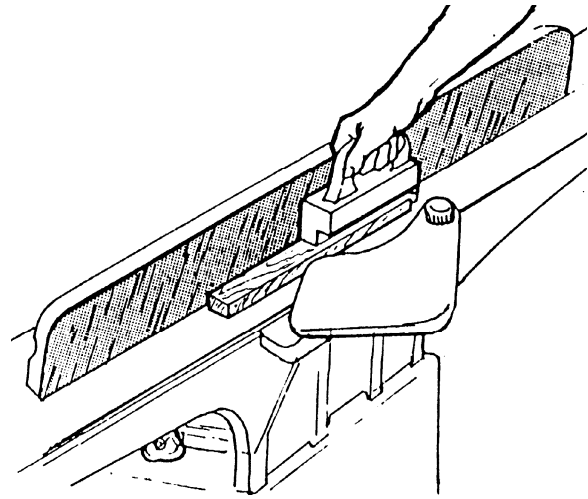


Figure 38

## Jointing

Jointing (or edging) is the process of creating a finished, flat *edge surface* that is suitable for joinery or finishing. It is also a necessary step prior to ripping stock to width on a table saw.

- ❑ Never edge a board that is less than 3 inches wide, less than 1/4 inch thick, or 12 inches long, without using a push block.
- ❑ When edging wood wider than 3 inches, lap the fingers over the top of the wood, extending them back over the fence such that they will act as a stop for the hands in the event of a kickback.
- ❑ Position the fence (move forward) to expose only the amount of cutterhead required.

**CAUTION** When workpiece is twice the length of the jointer infeed or outfeed table use an infeed or outfeed support.

To edge:

1. Make sure the fence is set to 90°. Double check it with a square.
2. Inspect stock for soundness and grain direction (Refer to *Direction of Grain* on page 23).
3. If the board is bowed (curved), place the *concave edge down* on the infeed table.
4. Set the infeed table for a cut of approximately 1/16 inch.
5. Hold the stock firmly against the fence and table, feed the stock slowly and evenly over the cutterhead.



## Beveling

Beveling an edge is the same operation as edge jointing, except that the fence is tilted to a specified angle.

- ❑ Make certain that the material being beveled is over 12 inches long, more than 1/4 inch thick and 1 inch wide.
- ❑ Although the fence may be tilted in or out, it is recommended that the fence be tilted *in* toward the operator (as shown in Figure 39) for safety reasons.

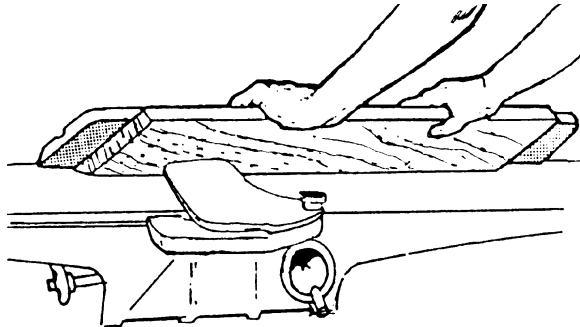


Figure 39

To bevel:

1. Use a bevel gauge to determine the desired angle. Then set the fence to the same angle.
2. Inspect stock for soundness and grain direction (Refer to *Direction of Grain* on page 23).
3. Set the infeed table for a cut of approximately 1/16.
4. If the board is bowed (curved), place the *concave edge down* on the infeed table.
5. Feed the stock through the cutterhead, making sure the face of the stock is completely flat against the fence and the edge is making solid contact on the infeed and outfeed tables (Figure 39).

*For wood wider than 3 inches* – hold with fingers close together near the top of the stock, lapping over the board and extending over the fence.

*For wood less than 3 inches wide* – use beveled push blocks and apply pressure toward the fence. Keep fingers near top of push block (Figure 40).

Several passes may be required to achieve the full bevel.

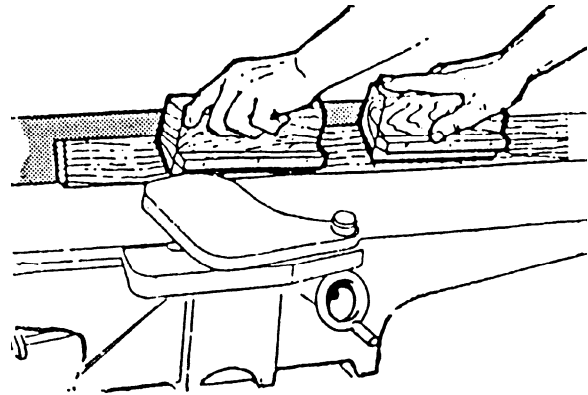


Figure 40

When beveling short material use one bevel hold down and apply pressure toward the fence. Keep thumb above the ledge on hold down block (Figure 41).

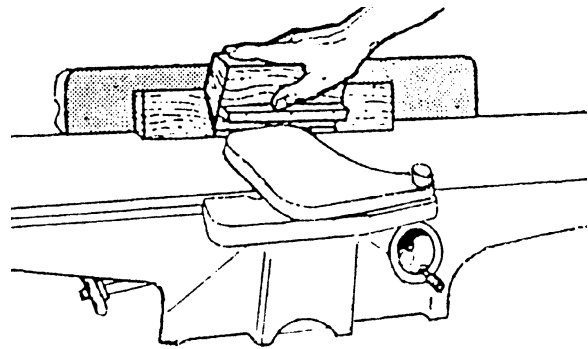


Figure 41

## Skewing (Shear Cutting)

When edging or facing burl or birds-eye maple, it is not unusual to deface or mar the surface being finished. This is caused by the cutterhead blades at times cutting against the grain. In order to prevent the defacing or marring of this type wood, it is necessary to skew, or angle finish, the material being worked (see Figure 42).

1. Release the fence locking handle and remove the two hex nuts and flat washer holding the fence to the fence support (see Figure 3 on page 10). Remove the fence.
2. Remove the key from the fence slide base.
3. Replace the fence assembly at the desired angle across the cutterhead. Secure the fence to the support with the two hex nuts and flat washer, then tighten the fence locking handle.

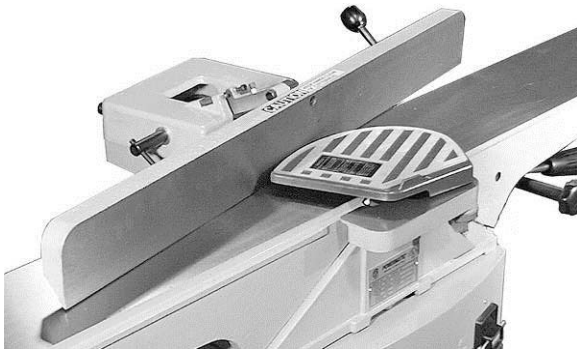


Figure 42

## Rabbet Cuts (Straight Knife only)

**IMPORTANT:** Rabbeting can be done with the straight knife cutterhead only; it is not applicable with the helical cutterhead model.

A rabbet is a groove cut along the edge of a board (Figure 43). It is usually made to accept another board to form a strong, simple joint.

**Note:** The maximum rabbet depth is 1/2".

1. Unplug the jointer and remove the cutterhead guard.
2. Loosen the fence and slide it to the rabbeting edge. Set the fence to the desired width of the rabbet and lock down.
3. Inspect stock for soundness and grain direction.
4. Place stock on the infeed table and rabbet table with the edge to be rabbeted firmly against the fence.
5. Slowly and evenly feed stock through the cutterhead.
6. Lower the infeed table 1/16" at a time and make successive cuts until the desired depth of rabbet is obtained.
7. Re-install the cutterhead guard when finished with rabbeting operations.

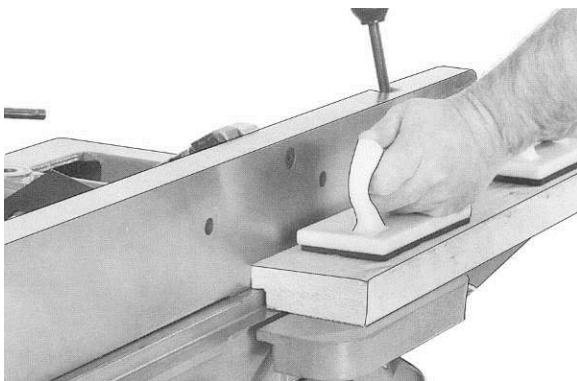


Figure 43

## Push Blocks

Push blocks are simple yet necessary tools to assist the operator, especially when jointing thin or short stock. Illustrated in Figure 44 are three types of push blocks commonly used in jointing. Push blocks may be obtained commercially or easily constructed.

**Note:** The 54A Jointer is supplied with two push blocks for feeding stock.

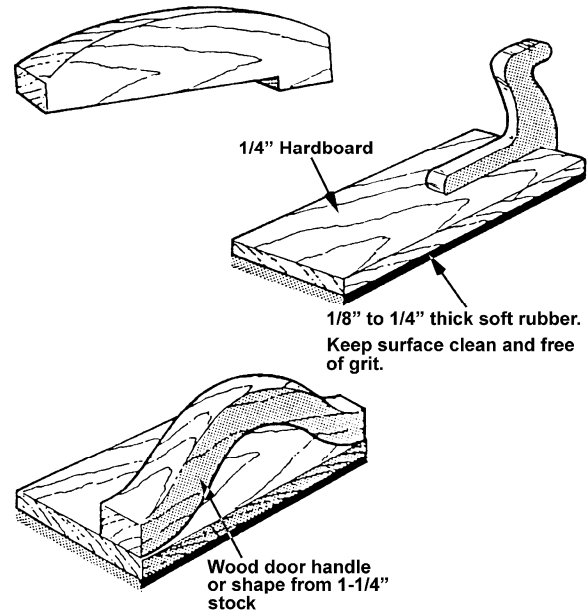


Figure 44

## Maintenance

### Blade Care

**Blades are extremely sharp! Use caution when cleaning or changing. Failure to comply may cause serious injury!**

When gum and pitch collect on the blades, carefully remove with a strong solvent. Failure to remove gum and pitch build up may result in excessive friction, blade wear and overheating.

When blades become dull, turn them to the new edge, or replace them.

### Lubrication

- Use a good grade of light grease on the steel adjusting screws located in the raising and lowering mechanisms of the work tables.
- Occasionally, apply a few drops of light machine oil to the infeed/outfeed gibs. This permits the tables to slide freely.

The cutterhead ball bearings are lifetime lubricated and need no further care.

## Cutterhead Removal

The entire cutterhead assembly may be removed for cleaning or for bearing and blade replacement. Some woodworkers keep a spare cutterhead with replacement blades should the original cutterhead have to be repaired.

**⚠WARNING** Blades in the cutterhead are sharp! Use extreme caution when handling the removal of the cutterhead. Failure to comply may cause serious injury!

To remove the cutterhead (including bearings, studs, and housing) from the base casting:

Referring to Figure 45:

1. Disconnect the machine from the power source.
2. Remove the front *blade guard* (A) and *screw* (B).

**⚠CAUTION** Lock the *fence tilt lock handle* (D) to avoid injury from moving parts when moving this assembly.

3. Remove the two *lock nuts* (G) and *washer* (F) securing the *fence assembly* (C) to the *fence base casting* (E).
4. Lift the *fence assembly* (C) from the table and set aside.
5. From the left side of the stand, remove the *dust chute*. From the back of the machine remove the *cabinet access door*.

Referring to Figure 46:

6. Using an 8mm hex wrench, loosen two hex cap screws underneath *fence base casting* (E) that secure the casting to the *table* (F). Remove the *fence base casting* and set aside.
7. Remove four *screws* and *washers* (A) securing the *belt guard* (B). Remove the *belt guard*.
8. Using a 14mm wrench, remove two screws (A, Fig. 47) and *lock washers* that secure the cutterhead bearing housings to the base.

**Note:** These screws and lock washers are more easily accessible through the dust chute.

9. Using a 3mm hex wrench, loosen two set screws that secure the cutterhead pulley (D) to the cutterhead shaft. Do not attempt to remove pulley with belt at this time.
10. Slide the pulley from the shaft of the cutterhead along with the V-belt. Set the pulley, shaft key and V-belt aside.

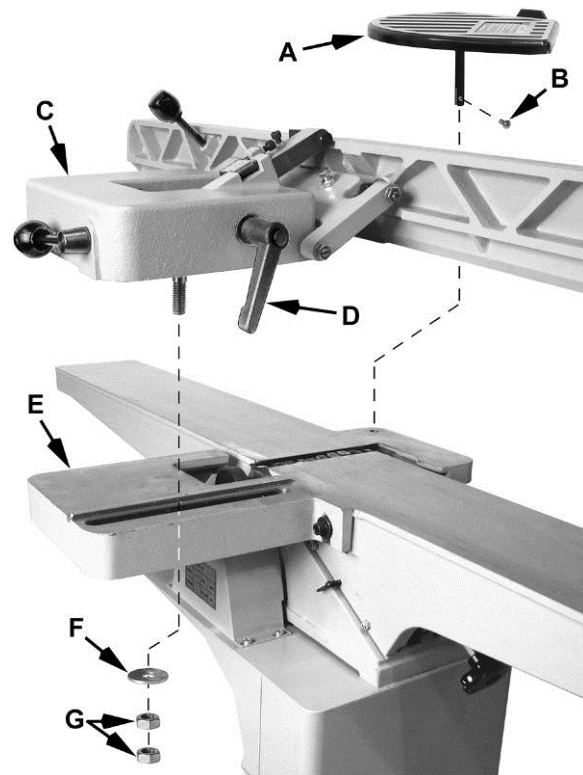


Figure 45

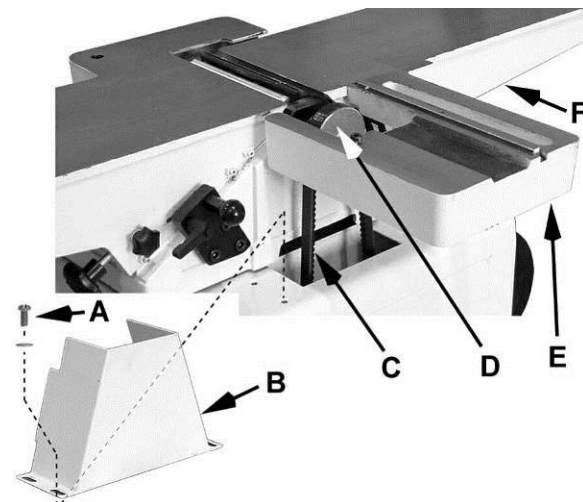


Figure 46

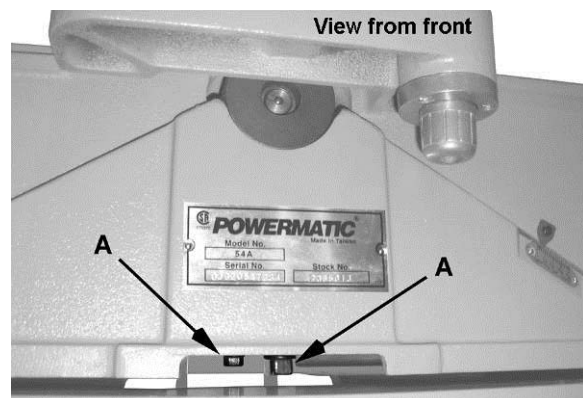


Figure 47

11. Carefully remove the cutterhead (A, Fig. 48).
12. Before placing the new cutterhead back into the casting, thoroughly clean the "saddle" and the bearing housings of saw dust and grease so that they seat properly.
13. To re-install the cutterhead, reverse the above steps.

**Note:** When securing the *fence base casting*, make sure it is level with the *outfeed table*.

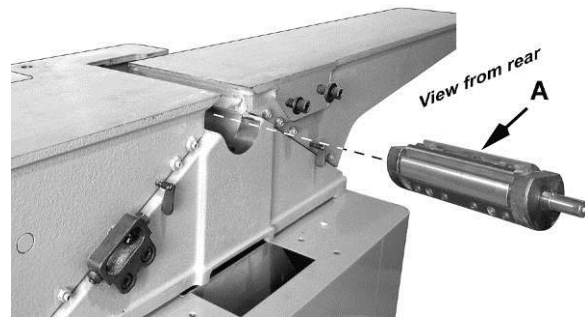


Figure 48

## Troubleshooting Operating Problems

Trouble	Probable Cause	Remedy
Finished stock is concave on back end.	Knife is higher than outfeed table.	Raise outfeed table until it aligns with tip of knife. See <i>Outfeed Table Height Adjustment</i> .
Finished stock is concave on front end.	Outfeed table is higher than knife.	Lower outfeed table until it aligns with tip of knife. See <i>Outfeed Table Height Adjustment</i> .
Chip out.	Cutting against the grain.	Cut with the grain whenever possible.
	Dull knives.	Sharpen or replace knives.
	Feeding workpiece too fast.	Use slower rate of feed.
	Cutting too deeply.	Make shallower cuts.
	Knots, imperfections in wood.	Inspect wood closely for imperfections; use different stock if necessary.
Fuzzy grain.	Wood has high moisture content.	Allow wood to dry or use different stock.
	Dull knives.	Sharpen or replace knives/inserts.
Cutterhead slows while operating.	Feeding workpiece too quickly, or applying too much pressure to workpiece.	Feed more slowly, or apply less pressure to workpiece.
"Chatter" marks on workpiece.	Knives incorrectly set.	Set knives properly as described in the <i>Setting Cutterhead Knives</i> section. Check that knife slots are clean and free of dust or debris.
	Feeding workpiece too fast.	Feed workpiece slowly and consistently.
Uneven knife marks on workpiece.	Knives are nicked, or out of alignment.	Align knives per the <i>Setting Cutterhead Knives</i> section. Replace nicked knives or correct for small nicks – see <i>Setting Knives for Rabbeting and Nicks</i> .

# Troubleshooting Mechanical and Electrical Problems

Trouble	Probable Cause	Remedy
Machine will not start/restart or repeatedly trips circuit breaker or blows fuses.	No incoming power.	Verify unit is connected to power, on-button is pushed in completely, and stop-button is disengaged.
	Building circuit breaker trips or fuse blows.	Verify that jointer is on a circuit of correct size. If circuit size is correct, there is probably a loose electrical lead. Check amp setting on motor starter.
	Switch or motor failure (how to distinguish).	If you have access to a voltmeter, you can separate a switch failure from a motor failure by first, verifying incoming voltage at 110/220+/-10% and second, checking the voltage between switch and motor at 110/220+/-10%. If incoming voltage is incorrect, you have a power supply problem. If voltage between switch and motor is incorrect, you have a switch problem. If voltage between switch and motor is correct, you have a motor problem.
	Motor overheated.	Clean motor of dust or debris to allow proper air circulation. Allow motor to cool down before restarting.
	Motor failure.	If electric motor is suspect, you have two options: Have a qualified electrician test the motor for function or remove the motor and take it to a qualified electric motor repair shop and have it tested.
	Unit incorrectly wired.	Double check to confirm all electrical connections are correct. Refer to the <i>Wiring Diagram</i> section to make any needed corrections.
	On/off switch failure.	If the on/off switch is suspect, you have two options: Have a qualified electrician test the switch for function, or purchase a new on/off switch and establish if that was the problem on change out.

## Optional Accessories

2004017 .....Dust Collector Adaptor  
 2042374 .....Mobile Base  
 708801DX .....Knives (set of 3)  
 1791212 .....Knife Inserts (set of 10)  
 6285991 .....Tool Kit

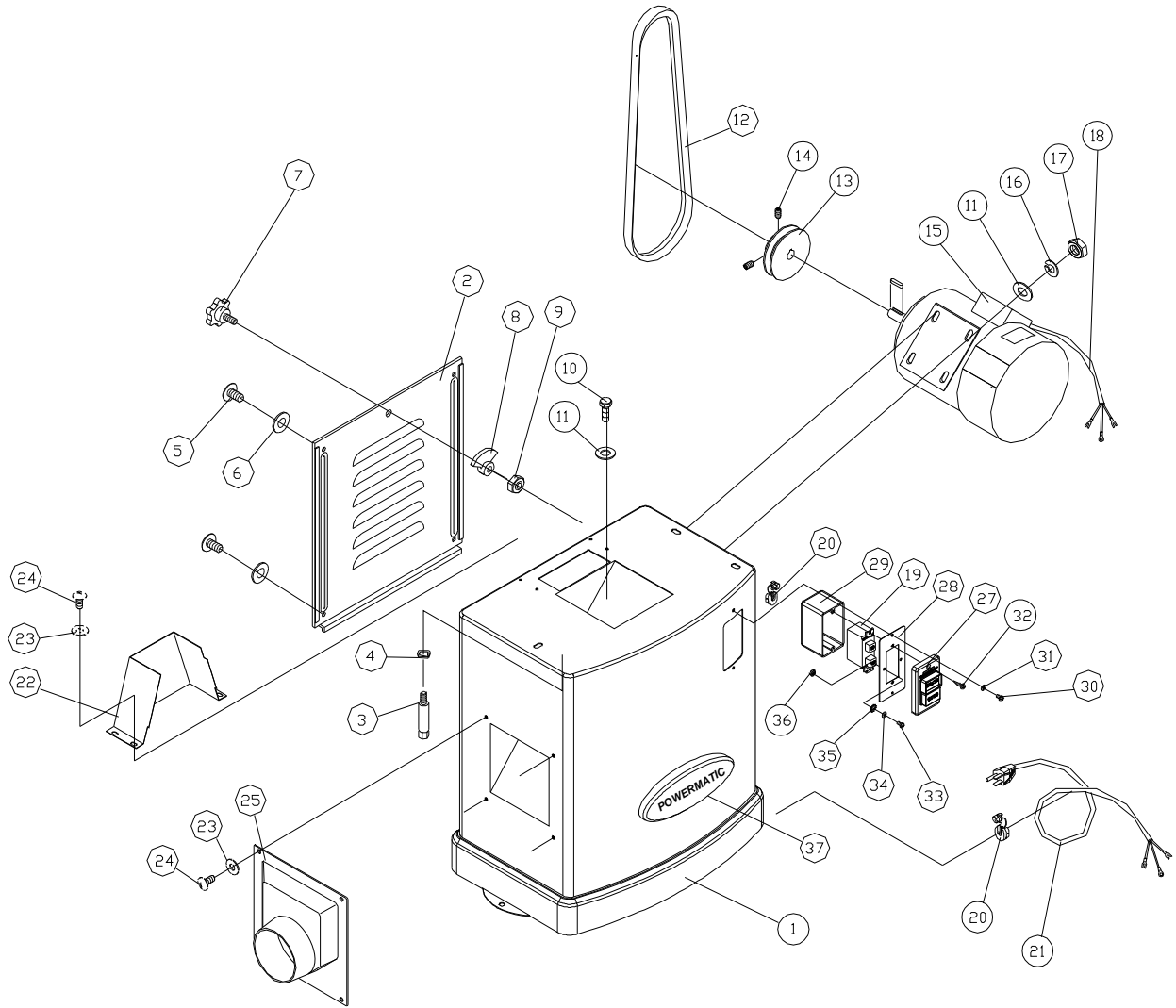
## Replacement Parts

To order parts or reach our service department, call 1-800-274-6848, Monday through Friday (see our website for business hours; [www.powermatic.com](http://www.powermatic.com)). Having the Model Number and Serial Number of your machine available when you call will allow us to serve you quickly and accurately.

## Stand – Parts List (All Models)

Index No.	Part No.	Description	Size	Qty.
	6296131	Stand Assembly		1
1	6296121	Stand		1
2	6285974	Door		1
3	6285822	Lock Bolt		3
4	6285852	Spring Washer	3/8 x 5/8	3
5	6296122	Screw	1/8-40 x 3/8	4
6	6296123	Flat Washer	1/8 x 3/8 x 1/32	4
7	6285975	Screw Knob		1
8	6285976	Door Lock		1
9	6285977	Hex Nut	3/8-16	1
10	6285980	Hex Screw	5/16-18 x 3/4	4
11	6285805	Flat Washer	5/16 x 3/4 x 1/16	8
12	6296124	V-Belt		1
13	6296125	Motor Pulley		1
14	6285865	Set Screw	1/4-20 x 1/4	2
15	6296126	Motor	1 HP, 1PH, 115V	1
16	6285988	Spring Washer	5/16 x 5/8	4
17	6285966	Hex Nut	5/16-18	1
18	6296127	Motor Cord		1
19	6296128	Switch		1
20	6285963	Strain Relief	SB7R-1	1
21	6285962	Power Cord		1
22	6296129	Belt Guard		1
23	6285909	Flat Washer	1/4-20 UNC x 1/2	8
24	6285910	Handle Screw	1/4-20 x 1/2	8
25	2004017	Dust Chute		1
26	6285978	Key	5 x 5 x 30	1
27	6296133	Switch Pushbutton		1
28	6296134	Switch Cover		1
29	6296135	Switch Box		1
30	6296136	Pan Head Screw	#10-24 x 1/2	2
31	6296137	Washer	3/16 x 1/2 x 1/32	2
32	6296138	Machine Screw	M4 x 1.59P x 38mm	2
33	6296139	Pan Head Screw	#8-32 x 5/8	2
34	6296140	Flat Washer	5/32 x 3/8 x 1/32	2
35	6296141	Star Washer	BW-4 (5/32 x 3/8)	2
36	6296142	Nut	#8-32	1
37	3520B-140	Powermatic Nameplate		1
38	6296150	Warning Label		1
39	PM2700-440	Wide Stripe (not shown)		per ft.
40	PM2700-441	Narrow Stripe (not shown)		per ft.

# Stand – Assembly (All Models)



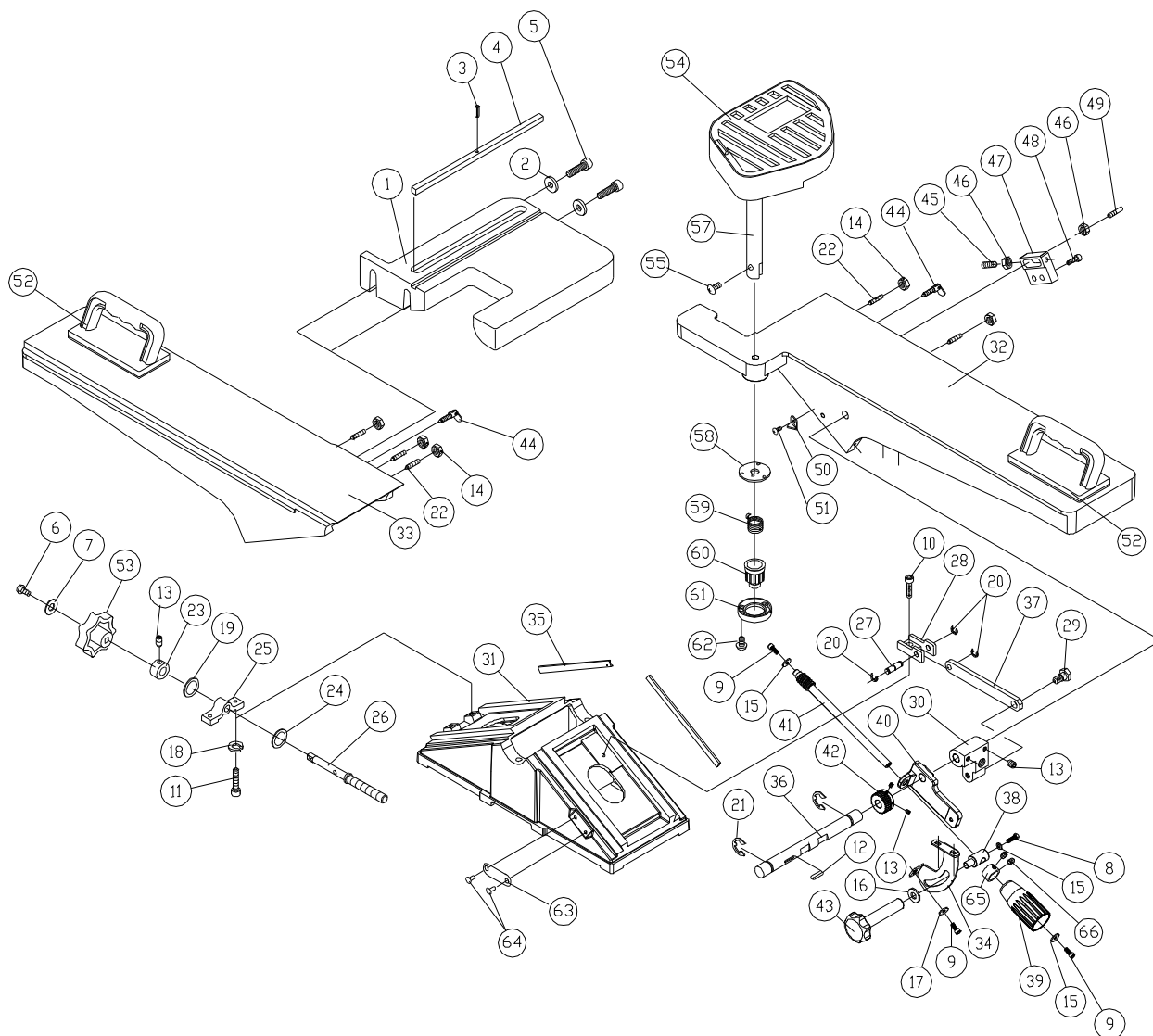
## Bed – Parts List (All Models)

Index No.	Part No.	Description	Size	Qty.
1	6296086	Base Slide		1
2	6296087	Washer	3/8 x 1 x 5/32	4
3	6296088	Spring Pin	4mm dia. x 14mm Lg	1
4	6296089	Key	9.5mm x 273 mm	1
5	6285931	Cap Screw	3/8-16 x 1-1/2	2
6	6285910	Handle Screw	1/4-20 x 1/2	10
7	TS-0680021	Washer	1/4	2
8	6296091	Hex Screw	1/4-20 x 3/4	1
9	6296092	Socket Head Cap Screw	1/4-20 x 1/2	5
10	TS-0208041	Socket Head Cap Screw	5/16-18 x 3/4	1
11	TS-0208101	Socket Head Cap Screw	5/16-18 x 2	2
12	6296094	Key	5mm x 5mm x 20mm	1
13	6285907	Set Screw	1/4-20 x 3/8	4
14	6285902	Hex Nut	1/4-20	5
15	6296144	Flat Washer	1/4 x 1/2 x 1/32	3
16	6296066	Flat Washer	13mm x 28mm x 3mm	1
17	6296095	Spring Washer	6.5mm x 12.8mm	3
18	6285911	Spring Washer	8.2mm x 15.4mm	2
19	6296096	Wavy Washer	12.6mm x 16.8mm	1
20	6296015	Retaining Ring	ETW-6	3
21	6296022	Retaining Ring	ETW-12	2
22	6285901	Set Screw	1/4-20 NC x 1	5
23	6285906	Collar		1
24	6285904	Washer		1
25	6285905	Bracket		1
26	6285903	Adjusting Screw		1
27	6296097	Shaft		1
28	6296098	Lock Bracket		1
29	6296099	Bolt		1
30	6296100	Bracket		1
31	6296101	Base		1
32	6296102	Front Table		1
33	6296103	Rear Table		1
34	6296104	Plate		1
35	6296105	Gib		2
36	6296106	Shaft		1
37	6296107	Plate		1
38	6296108	Lock Plate		1
39	6296109	Handle		1
40	6296110	Adjusting Base		1
41	6296111	Worm Shaft		1
42	6296112	Worm		1
43	6296113	Nut		1
44	6285900	Screw		2
45	6296060	Set Screw	5/16-18 x 3/4	2
46	6285966	Hex Nut	5/16-18	3
47	6296114	Set Block		1
48	6296014	Cap Screw	5/16-18 x 3/4	2
49	6296115	Stud		1
50	6296116	Pointer		1
51	6296117	Pan Head Screw	5/32-32 x 1/4	1
52	6285917	Push Block		2
53	6285908	Wheel Handle		1
54	6296145	Cutterhead Guard		1
55	TS-1533032	Phillips Pan Head Machine Screw	M5 x 10mm	1
57	6285892	Guard Post		1



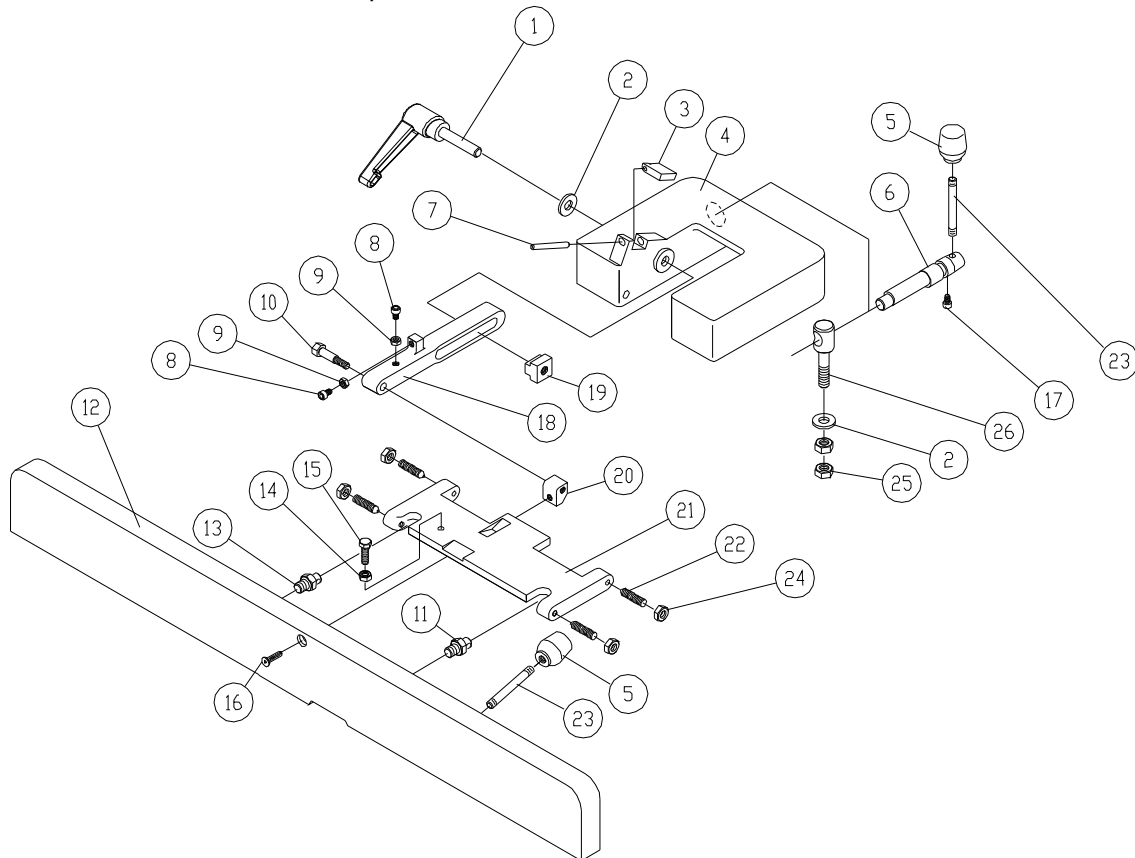
## Bed – Parts List (All Models)

Index No.	Part No.	Description	Size	Qty.
58	6285893	Washer		1
59	6285894	Spring		1
60	6285895	Knob		1
61	6285896	Retainer		1
62	6285897	Screw	5/32-32 x 5/8	3
63	6296147	Depth Scale		1
64	6296148	Rivet		2
65	6296151	Collar		1
66	6296152	Set Screw	1/4-20 UNC x 1/4	2



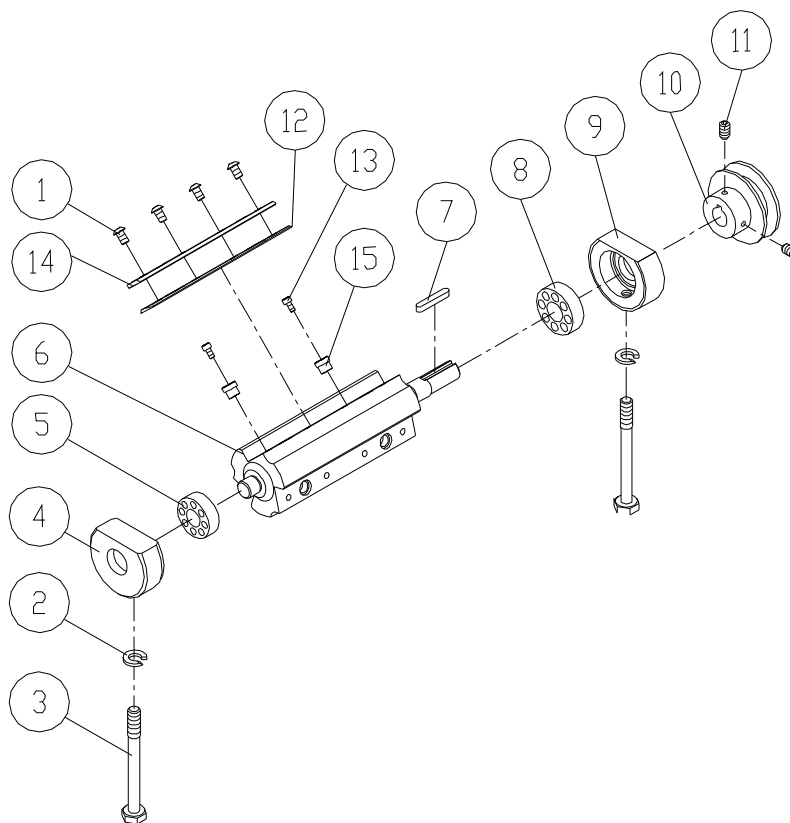
## Fence – Parts List and Assembly (All Models)

Index No.	Part No.	Description	Size	Qty.
.....	6296130.....	Fence Assembly.....		1
1.....	6296143.....	Locking Bolt.....		1
2.....	6296066.....	Flat Washer.....	13mm x 28mm x 3mm	2
3.....	6296067.....	Stop Block.....		1
4.....	6296068.....	Fence Bracket.....		1
5.....	6285945.....	Knob.....		2
6.....	6296069.....	Locking Shaft.....		1
7.....	6296070.....	Pin.....	Ø5mm x 50mm.....	1
8.....	6296071.....	Cap Screw.....	1/4-20 x 1-1/4.....	2
9.....	6296072.....	Hex Nut.....	1/4-20.....	2
10.....	6296073.....	Screw.....		1
11.....	TS-0561052.....	Hex Nut.....	1/2-20UNF.....	2
12.....	6296075.....	Fence Body.....		1
13.....	6285940.....	Pivot Stud.....		2
14.....	6285966.....	Hex Nut.....	5/16-18.....	1
15.....	6296077.....	Hex Screw.....	5/16-18 x 1-1/4.....	1
16.....	6296078.....	Hex Screw.....	5/16-18 x 1-1/2.....	1
18.....	6296080.....	Locking Link.....		1
19.....	6296081.....	Nut.....		1
20.....	6285947.....	Fixed Block.....		1
21.....	6296082.....	Fence Link.....		1
22.....	6285942.....	Cone Point Screw.....		4
23.....	6285944.....	Handle Stud.....		2
24.....	6285943.....	Hex Nut.....	3/8-16.....	4
25.....	6296083.....	Hex Nut.....	1/2-12NC.....	2
26.....	6296084.....	Bolt.....		1
27.....	6296085.....	Cap Screw.....	1/4-20 x 1/2.....	1



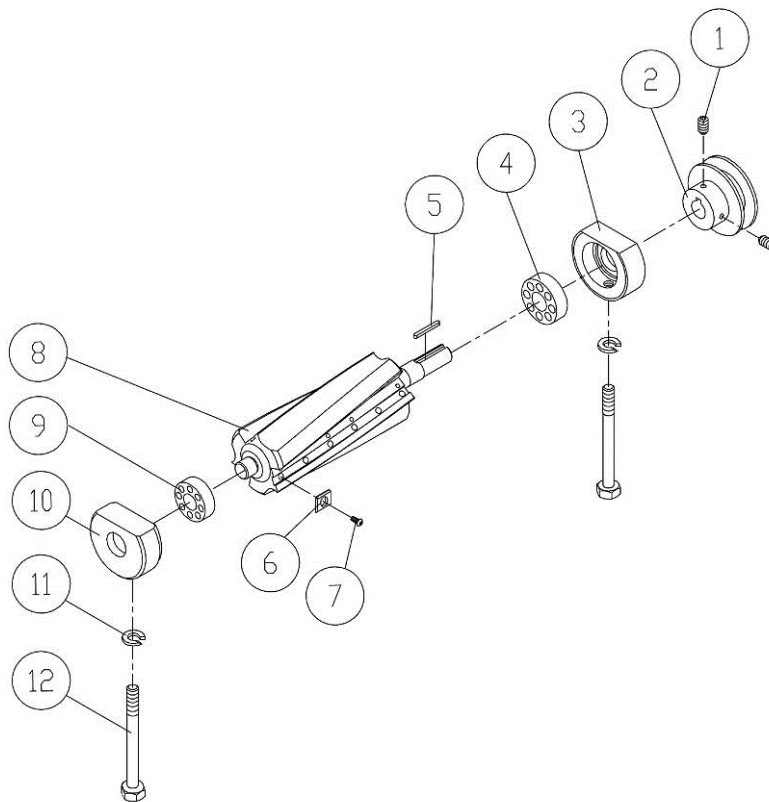
## Cutterhead – Parts and Assembly (model 54A only)

Index No.	Part No.	Description	Size	Qty.
.....	JJ6CSDX-CA	Cutterhead Assembly (Index #s 1-15)		1
1.....	JJ6CSDX-101	Special Button Head Socket Screw		12
2.....	TS-0720091	Lock Washer	3/8"	2
3.....	JEA-B01	Bolt		2
4.....	3H-C02	Bearing Housing		1
5.....	BB-6202ZZ	Ball Bearing	6202ZZ	1
6.....	JJ6CSDX-106	Cutterhead		1
7.....	5F-G108	Key	5 x 5 x 25	1
8.....	BB-6203ZZ	Ball Bearing	6203ZZ	1
9.....	JH-C04	Bearing Housing		1
10.....	JH-C07	Cutterhead Pulley		1
11.....	TS-0267041	Socket Set Screw	1/4"-20 x 3/8"	2
12.....	708801DX	Knife (set of 3)		1
13.....	TS-1501021	Socket Head Cap Screw	M4 x 8	6
14.....	JJ6CSDX-114	Knife Lock Bar		3
15.....	JJ6CSDX-115	Adjustment Nut		6



## Cutterhead – Parts and Assembly (model 54HH only)

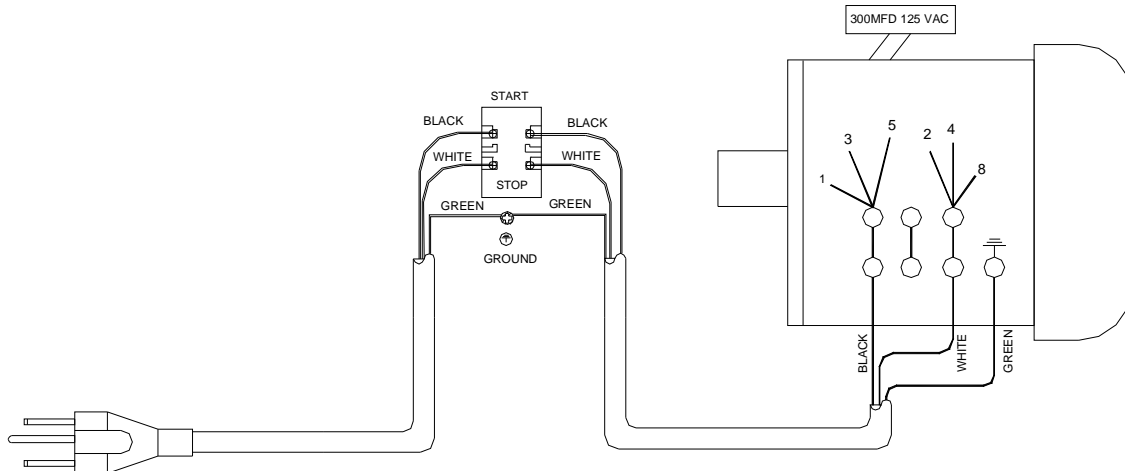
Index No.	Part No.	Description	Size	Qty.
.....	PM54HH-CA	Cutterhead Assembly (Index # 1-12)		1
1.....	TS-0267041	Socket Set Screw	1/4"-20 x 3/8	2
2.....	JH-C07	Cutterhead Pulley		1
3.....	JH-C04	Bearing Housing		1
4.....	BB-6203VV	Ball Bearing	6203VV	1
5.....	5F-G108	Key	5 x 5 x 25	1
.....	1791221-6	Helical Cutterhead Unit (Index # 6 thru 8)		1
6.....	1791212	Knife Insert (set of 10)		total 40
7.....	JWP208HH-111	Knife Insert Screw	#10-32 x 1/2	40
8.....	PM54HH-108	Helical Cutterhead		1
9.....	BB-6202VV	Ball Bearing	6202VV	1
10.....	3H-C02	Bearing Housing		1
11.....	TS-0720091	Lock Washer	3/8"	2
12.....	JEA-B01	Hex Cap Bolt	3/8"-24 x 3-1/2"	2
13.....	JJ6HH-113	Star Point Screwdriver (not shown)		2



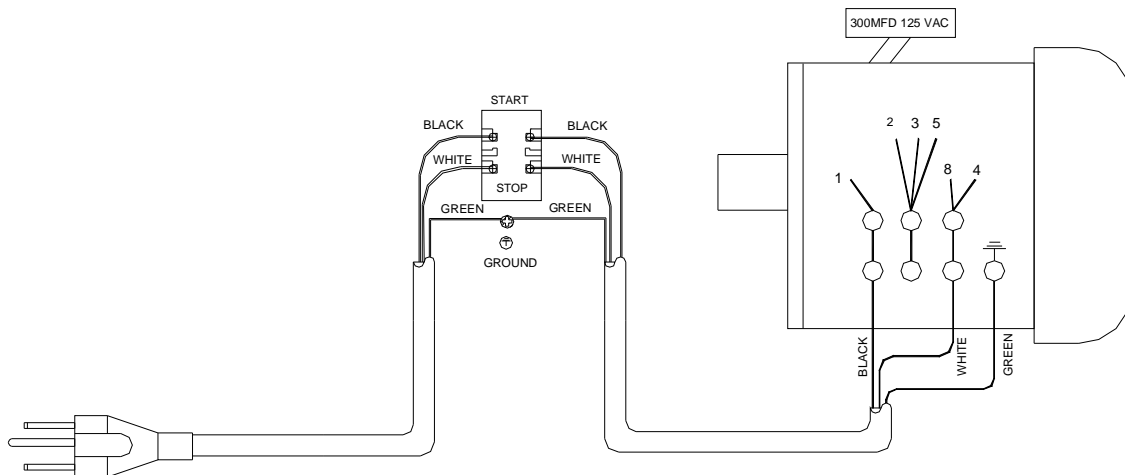
# Wiring Diagrams

Wiring Diagram – Serial # 05060540312 and lower

## ELECTRICAL SCHEMATIC - 115V



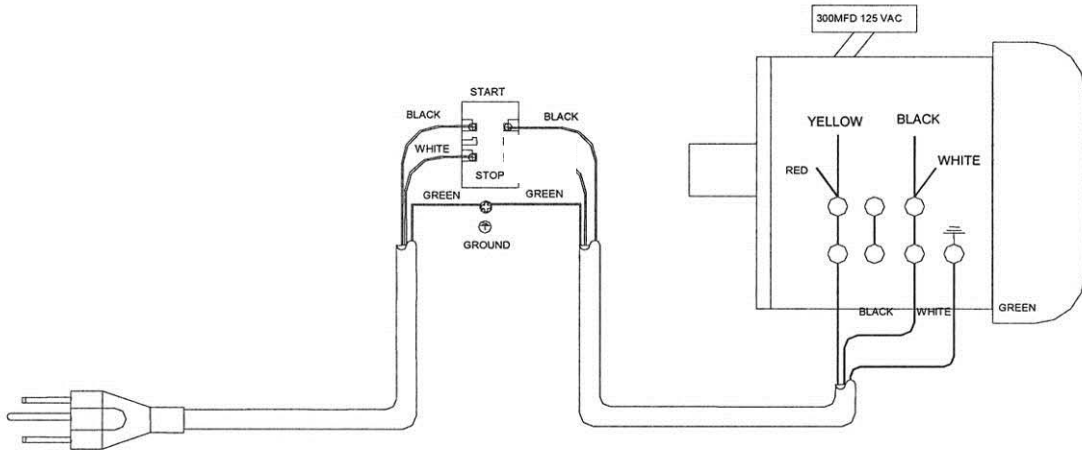
## ELECTRICAL SCHEMATIC - 230V



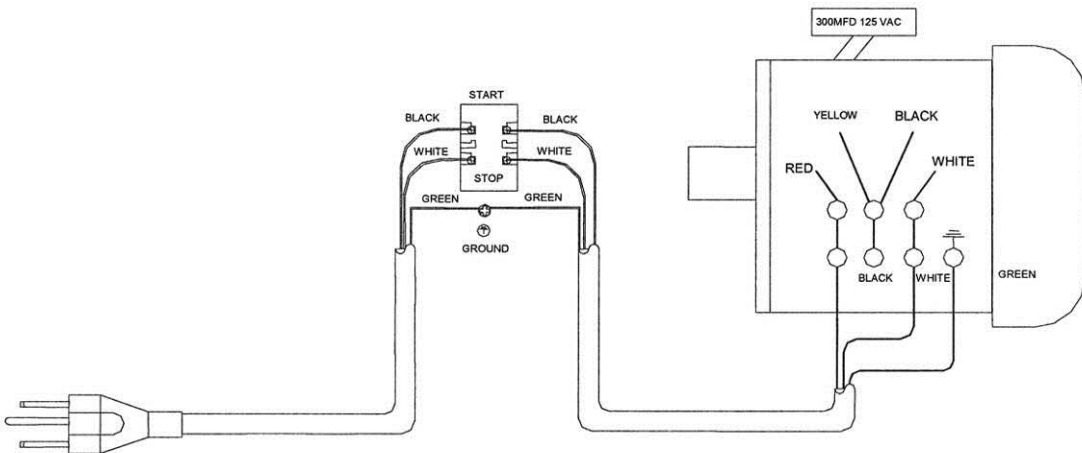
Serial # 05060540312 and lower

Wiring Diagram – Serial # 05060540313 and higher

ELECTRICAL SCHEMATIC - 115V



ELECTRICAL SCHEMATIC - 230V







427 New Sanford Road  
LaVergne, Tennessee 37086  
Phone: 800-274-6848  
[www.powermatic.com](http://www.powermatic.com)



# POWERMATIC®

## Manual de Operación y Partes de la Canteadora de Paralelogramo de 6 Pulgadas para Trabajos en Madera Modelos 54A y 54HH



54A (1791279DXK) serie nro. # 8040543557 y mayores  
54HH (1791317K) serie nro.# 8010540313 y mayores



**Powermatic**  
427 New Sanford Road  
LaVergne, Tennessee 37086  
Teléfono.: 800-274-6848  
www.powermatic.com

**Parte No. M-1791279DX**  
Revisión C2 04/2014  
Copyright © 2014 Powermatic

# Garantía y Servicio Técnico

Powermatic garantiza todos los productos que venden contra defectos de fabricación. Si alguna de nuestras herramientas necesita servicio técnico o reparación, Comuníquese con el Servicio Técnico llamando al 1-800-274-6846, 8AM to 5PM CST, de lunes a viernes.

## Período de la Garantía

La garantía general, dura el período especificado en el documentación que se incluye con el producto o en el oficial Powermatic sitios web de marca.

- Los Powermatic productos tienen una garantía limitada, la cual varía en duración dependiendo del producto. (Ver tabla de abajo)
- Accesorios tienen una garantía limitada de un año desde la fecha de recepción.
- Los elementos de desgaste se definen como piezas de desgaste o accesorios que se espera que deje de funcionar dentro de un período razonable de uso y están cubiertos por una garantía limitada de 90 días contra defectos de fabricación.

## Quien Esta Cubierto

Esta garantía sólo cubre al comprador original del producto a partir de la fecha de entrega.

## Que Esta Cubierto

Esta garantía cubre cualquier defecto de mano de obra o materiales sujeto a las limitaciones indicadas a continuación. Esta garantía no cubre defectos debidos directa o indirectamente al uso indebido, maltrato, negligencia o accidentes, desgaste natural, reparación indebida, alteraciones o falta de mantenimiento.

## Limitaciones de la Garantía

Los productos de carpintería con garantías de cinco (5) años que se usan para fines comerciales, industriales o docentes están cubiertos por una garantía de un (1) año. Por favor, póngase en contacto con Servicio Técnico al 1-800-274-6846 para más aclaraciones.

## Como Obtener Soporte Técnico

Por favor, póngase en contacto con Servicio Técnico al 1-800-274-6846. **Por favor, tenga en cuenta que se le pedirá proporcionar prueba de su compra inicial cuando se llama.** Si un producto requiere una inspección adicional, el representante de servicio técnico le explicará y ayudar con cualquier medida adicional necesaria. Powermatic tiene centros de Servicio Técnico Autorizado ubicados por todo Estados Unidos. Para obtener el nombre de un Centro de Servicio Técnico Autorizado en su área, llame al 1-800-274-6846 o utilice el Localizador de Centro de Servicio en el Powermatic sitio web.

## Más Información

Powermatic está constantemente añadiendo nuevos productos. Para obtener información completa y actualizada de los productos, diríjase al distribuidor en su localidad o visite el Powermatic sitio web.

## Como se Aplica la ley Estatal

Esta garantía le otorga derechos legales específicos, sujetos a las leyes estatales.

## Limitaciones de esta Garantía

LÍMITES POWERMATIC TODAS LAS GARANTÍAS IMPLÍCITAS AL PERÍODO DE LA GARANTÍA LIMITADA PARA CADA PRODUCTO. CON EXCEPCIÓN DE LO DECLARADO EN ESTE DOCUMENTO, ESTÁ EXCLUIDA CUALQUIER GARANTÍA IMPLÍCITA O DE COMERCIABILIDAD E IDONEIDAD PARA UN PROPÓSITO PARTICULAR O ADECUACIÓN. ALGUNOS ESTADOS NO PERMITEN LIMITACIONES A LA DURACIÓN DE LA GARANTÍA IMPLÍCITA, POR LO QUE LA LIMITACIÓN ANTERIOR PODRÍA NO SERLE APLICABLE.

EN NINGÚN CASO SERÁ POWERMATIC RESPONSABLE POR LA MUERTE, LESIONES A PERSONAS O PROPIEDADES O POR DAÑOS INCIDENTALS, CONTINGENTES, ESPECIALES O EMERGENTES QUE SURJAN DEL USO DE NUESTROS PRODUCTOS. ALGUNOS ESTADOS NO PERMITEN LA EXCLUSIÓN NI LIMITACIÓN DE DAÑOS INCIDENTALS O EMERGENTES POR LO QUE LA LIMITACIÓN O EXCLUSIÓN ANTERIOR PODRÍA NO SERLE APLICABLE.

Powermatic vende sólo mediante distribuidores. Las especificaciones en Powermatic materiales impresos y en el oficial Powermatic sitios web de marca se ofrecen como información general y no son vinculantes. Powermatic se reserva el derecho de efectuar en cualquier momento y sin previo aviso aquellas alteraciones que consideren necesarias por cualquier razón en las piezas, adaptadores y equipos accesorios.

## Listado de productos con periodo de garantía

90 Días – Piezas; Insumos
1 Año – Motores; Accesorios de la máquina
2 Año – Maquinaria para madera usado para fines industriales o comerciales
5 Año – Maquinaria para madera

Nota: Powermatic es una división de JPW Industries, Inc.. Las referencias en este documento a Powermatic también se aplican a JPW Industries, Inc., o cualquiera de sus sucesores en interés del Powermatic marcas.

# ÍNDICE

Garantía y Servicios .....	2
Índice .....	3
Advertencias .....	4
Desempaque .....	8
Contenido del Contenedor de Transporte .....	8
Montaje .....	9
Desempaque y Limpieza .....	9
Instalación de la Plataforma a la Base .....	9
Instalación de la Guía a la Plataforma .....	10
Instalación de la Correa de Impulsión .....	10
Instalación de la Cubierta de la Polea .....	11
Instalación de la Guarda de la Cabeza de Corte .....	11
Instalación de la Puerta de Acceso y el Colector de Polvo .....	11
Instalación Eléctrica .....	12
Instrucciones de Puesta a Tierra .....	12
Operación a 115 Voltios .....	12
Operación a 230 Voltios .....	12
Ajustes .....	13
Movimiento de la Guía .....	13
Ajustes de los Topes de la Guía .....	14
Ajuste de la Altura de la Mesa de Entrada .....	15
Limitador de Desplazamiento de la Mesa de entrada .....	15
Ajuste de la Doble Chaveta de la Mesa .....	16
Ajuste de la Altura de la Mesa de Salida .....	16
Ajuste de las Cuchillas de la Cabeza de Corte (Modelo 54A solamente) .....	17
Sustitución de las Cuchillas (Modelo 54A solamente) .....	19
Ajuste de las Cuchillas para rebajes y biselados (Modelo 54A solamente) .....	20
Sustitución o Rotación de las Cuchillas Intercambiables (Modelo 54 HH solamente) .....	20
Determinación de la Altura Correcta de la Mesa .....	21
Colocación Manual .....	23
Dirección del Grano .....	23
Cepillado .....	24
Ensamblado .....	24
Biselado .....	25
Sesgado (Cizallado) .....	25
Remoción de la Cabeza de Corte .....	27
Accesorios Opcionales .....	29
Lista de Partes .....	29
Base-Lista de Partes (Todos los Modelos) .....	30
Base-Montaje (Todos los Modelos) .....	31
Plataforma-Lista de Partes (Todos los Modelos) .....	32
Guía-Partes y Lista de Montaje (Todos los Modelos) .....	34
Cabeza de Corte-Partes y Montaje (modelo 54 A solamente) .....	35
Cabeza de Corte-Partes y Montaje (modelo 54 HH solamente) .....	36
Diagramas de Cableado .....	37
Diagrama de Cableado – Nro. de Serie # 05060540312 y menores .....	37
Diagrama de Cableado – Nro. de Serie # 05060540313 y mayores .....	38

# Advertencias

1. Lea y comprenda por completo el manual del propietario antes de intentar ensamblar u operar el equipo.
2. Lea y comprenda los mensajes de advertencia adheridos a la máquina y en este manual. La no observación de estas advertencias podría causar serios daños.
3. Sustituya las etiquetas de advertencia, si las mismas se vuelven oscuras o son retiradas.
4. Esta canteadora para trabajos en madera está diseñada y prevista para el uso apropiado por parte de personal entrenado y experimentado. Si usted no está familiarizado con la operación apropiada y segura de la canteadora, no usarla hasta poseer un entrenamiento y conocimiento apropiados sobre el equipo.
5. No use esta máquina para otro uso fuera de lo previsto. Si es usada para otros propósitos, Powermatic rechaza todas las garantías reales o implícitas y se desentiende de cualquier lesión que pueda resultar de ese uso.
6. Use siempre gafas de seguridad/protectores faciales aprobados durante el uso de esta canteadora. Los lentes de uso diario solo tienen lentes resistentes al impacto, pero no son lentes de seguridad.
7. Antes de operar esta canteadora, deshágase de la corbata, anillos, relojes, otras joyas y remánguese las prendas por encima de los codos. Deshágase de toda la ropa floja y sujétese el pelo largo de tal manera que no quede colgando. Se recomienda el uso de calzados antideslizantes o barras antiderrapantes para el piso. **No** use guantes.
8. Use protectores auditivos (protectores de oído u orejeras) durante los períodos de operación extendidos.
9. Cierta polvos generados por el lijado, aserrado, amolado y taladrado y debido a otras actividades de construcción, contienen agentes químicos que se sabe causan cáncer, defectos de nacimiento u otros daños sobre la reproducción. Algunos ejemplos de estos agentes químicos son:
  - Plomo de las pinturas a base de plomo,
  - Sílice cristalina de ladrillos, cemento y otros productos de mampostería, y
  - Arsénico y cromo de la madera tratada químicamente.Su riesgo por causa de estas exposiciones varía, dependiendo de con cuánta frecuencia realice este tipo de trabajo. Para reducir su exposición a estos agentes químicos: trabaje en un área bien ventilada y trabaje con equipo de seguridad aprobado, como por ejemplo máscaras antipolvo que estén diseñadas especialmente para impedir mediante filtración el paso de partículas microscópicas.
10. No opere esta máquina si se encuentra cansado o bajo influencia de drogas, alcohol o cualquier medicamento.
11. Asegúrese de que el interruptor de la máquina se encuentre en la posición de **OFF** (apagado) antes de conectarla.
12. Asegúrese de que la máquina tenga una puesta a tierra apropiada.
13. Realice todos los ajustes o labores de mantenimiento sobre la máquina estando la misma desconectada de la fuente de energía eléctrica.
14. Retire todas las llaves y herramientas. Habitúese a verificar que las llaves y herramientas sean retiradas de la máquina antes de encenderla.
15. Mantenga las guardas de seguridad en su lugar en todo momento cuando la máquina se encuentre en funcionamiento. Si son retiradas por cuestiones de mantenimiento, sea extremadamente cuidadoso y sustituya las guardas de inmediato al culminar las labores de mantenimiento.
16. Asegúrese de que la canteadora se encuentre asegurado firmemente a la base o un banco antes de usarlo.
17. Verifique las partes dañadas. Antes del uso de la máquina, la guarda o parte dañada de la máquina debería ser verificada cuidadosamente para determinar si podrá operar correctamente y ejecutar su función prevista. Verifique la alineación de las partes móviles, piezas móviles atascadas, partes rotas, condiciones de montaje y otras que puedan afectar su operación. Una guarda u otra parte dañada debería ser reparada o sustituida apropiadamente.

# Advertencias

18. Disponga del área de trabajo adecuado e iluminación de techo antireflejo.
19. Mantenga el piso en el entorno de la máquina limpio y libre de residuos, aceite y grasa.
20. Mantenga a los visitantes a una distancia segura del área de trabajo. **Mantenga alejado a los niños.**
21. Haga que su taller sea a prueba de niños con candados, interruptores de corte, o botoneras de parada de la máquina.
22. Preste suma atención a su trabajo. Mirar alrededor, conversar y hacer “payasadas” son actos imprudentes que pueden resultar en serias lesiones.
23. Mantenga una postura equilibrada en todo momento de tal manera a no caer o inclinarse contra las cuchillas u otras partes móviles. No adopte una postura forzada o use fuerza excesiva para realizar alguna operación con la máquina.
24. Use la herramienta correcta a la velocidad adecuada y con velocidad de avance adecuada. No emplear la fuerza sobre la herramienta o accesorio para realizar un trabajo para lo cual no está diseñada. La herramienta correcta realizará el trabajo con mejor desempeño y de manera segura.
25. Use los accesorios recomendados; los accesorios inapropiados pueden ser peligrosos.
26. Mantenga las herramientas con el cuidado debido. Conserve las cuchillas afiladas y limpias para su mejor y seguro desempeño. Siga las siguientes instrucciones para la lubricación y cambio de accesorios.
27. Apague la máquina antes de limpiarla. Use un cepillo o aire comprimido para remover las virutas o restos, no use sus manos.
28. Nunca se suba sobre la máquina. Podrían producirse lesiones graves si la máquina se inclina.
29. Antes de desconectar la máquina, retire todos los equipos extra que se encuentren en la máquina tales como chavetas, llaves, residuos, material, paño de limpieza, lejos de la máquina.
30. Nunca deje la máquina en funcionamiento y desatendida. Apáguela y no abandone la máquina hasta que la misma se detenga por completo.
31. Use siempre un bloque de sujeción o empuje para el cepillado del material de menos de 12 pulgadas de longitud, 3 pulgadas de ancho o tres pulgadas de espesor.
32. No realice operaciones de canteado en materiales de longitud menor a 8”, anchura menor a 3/4” o 1/4” de espesor.
33. Las manos nunca deben estar a una distancia menor de 3 pulgadas de la cabeza de corte (Vea la Figura de la derecha)
34. Nunca aplique presión al material directamente sobre la cabeza de corte. Este puede resultar en la inclinación del material sobre la cabeza de corte junto con los dedos del operador. Posicione las manos lejos del extremo del material y presione suavemente de modo uniforme. Nunca avance la pieza en sentido contrario hacia la mesa de trabajo.
35. No realice cortes de profundidad mayor a 1/2” para el rebaje. En otros cortes tales como el bordeado, cepillado, etc., la profundidad de corte no debería ser mayor a 1/8” para evitar la sobrecarga de la máquina y minimizar la posibilidad de retroceso.
36. Para evitar el retroceso, el grano debe estar orientado en la misma dirección del corte. Antes de intentar realizar el ensamblado, cepillado, cada pieza de trabajo debe ser examinada cuidadosamente en lo referente a la condición del material y orientación del grano.
37. Al trabajar con madera de vetas de grano en remolinos o nodos, se torna necesario cepillar contra el grano usando una menor profundidad de corte y un ratio menor de alimentación.
38. Mueva las manos en un movimiento alternado desde el frente para atrás a medida que el proceso corte continua, Nunca pase las manos directamente sobre las cuchillas de corte. A medida que una mano se aproxima a las cuchillas retírela del material según un movimiento en arco y colóquela en la parte posterior del material en una posición más allá de las cuchillas de corte.
39. Sostenga el material firmemente en todo momento.



## Familiarícese con los siguientes mensajes de seguridad usados en este manual:

### **PRECAUCIÓN**

Esto significa que si no se toman las debidas precauciones, podría resultar en una lesión menor y/o posiblemente daños a la máquina.

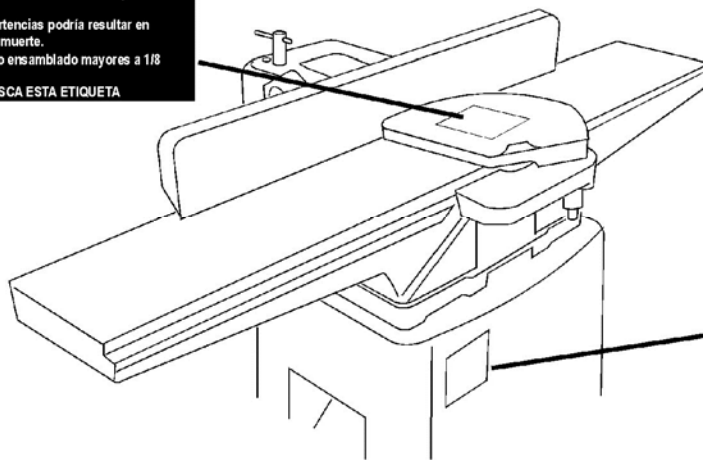
### **ADVERTENCIA**

Esto significa que si no se toman las debidas precauciones, podría resultar en una lesión seria o posiblemente la muerte.

**ADVERTENCIA**

1. Conserve la guarda en su lugar y en condición operativa en todo momento.
2. No coloque objetos sobre esta guarda.
3. Nunca mueva la guarda con sus manos mientras la máquina se encuentre en operación.
4. La no observación de estas advertencias podría resultar en lesiones personales o inclusive la muerte.
5. Nunca realice cortes de cepillado o ensamblado mayores a 1/8 de pulgada.

**NO RETIRE U OSCURESCA ESTA ETIQUETA**



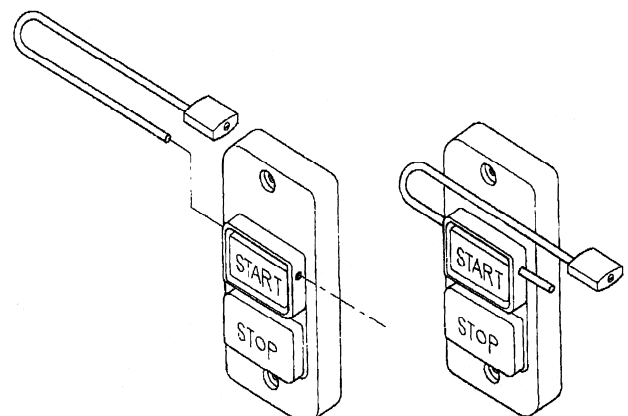
**ADVERTENCIA**

1. Para su propia seguridad, lea este manual de instrucciones antes de operar la canteadora.
2. No exponga el equipo a la lluvia no lo use en lugares húmedos.
3. Conserve siempre las guardas de la cabeza corte y accionamiento en posición y en condición operativa apropiada.
4. Nunca realice cortes de ensamblado o cepillado de espesor mayor a 3" o cepillado de materiales de espeso menor a 3".
5. Use siempre bloques de empuje para cantear materiales de ancho menor a 3" o cepillado de materiales de espeso menor a 3".
6. Nunca realice cortes de ensamblado o cepillado en piezas de longitud menor a 8".
7. Retire o afloje las prendas tales como corbatas, etc. Recójase el pelo largo y sáquese las joyas.
8. Use gafas de seguridad/protectores faciales aprobados para proteger los ojos.
9. Desconecte la máquina de la fuente antes de realizar alguna labor de mantenimientos, ajuste o limpieza.
10. Nunca opere la máquina si se encuentra bajo los efectos de drogas o alcohol.
11. La no observación de estas advertencias pueden resultar en lesiones serias.

**NO RETIRE U OSCURESCA ESTA ETIQUETA**

### **Candado para el Interruptor On-Off**

La canteadora está equipada con una interruptor del tipo botonera que aceptará un candado de seguridad (no incluido). Para salvaguardar la máquina de operaciones no autorizadas y encendidos accidentales por parte de niños pequeños, el uso de un candado es altamente recomendado – vea la figura de la derecha.



*Candado para el Interruptor On-Off*

## Introducción

Este manual es suministrado por Powermatic y comprende los procedimientos de operación segura y mantenimiento para la canteadora, modelos 54A y 54HH. Este manual contiene instrucciones de instalación, precauciones de seguridad, procedimientos generales de operación, instrucciones de mantenimiento y desmontaje de partes. Esta máquina ha sido diseñada y construida para prestar servicio durante años sin problema alguno si es usada de acuerdo a las instrucciones establecidas en este manual. Si tiene dudas o comentarios, favor contacte a su proveedor local o a Powermatic o visite nuestro sitio Web: [www.powermatic.com](http://www.powermatic.com).

## Especificaciones

Modelo .....	54A.....	54HH
Número de Pieza:		
Canteadora y Base .....	1791279DXK.....	1791317K
Canteadora Solamente .....	2365013DX.....	1791317
Tamaño de la Mesa (pulg.) .....	7-1/4 x 66.....	7-1/4 x 66
Soporte de la Mesa .....	en cola de pato.....	en cola de pato
Diseño de la Cabeza de Corte recta c/ juego de cuchillas rápidas.....		helicoidales
Cuchillas .....	3 de doble filo .....	40 insertos de 4 lados
Número de filas del cabezal de corte .....	--.....	6
Velocidad de la Cabeza de Corte (RPM).....	6000.....	6000
Cortes por Minuto.....	18,000.....	no aplicable
Capacidad de Corte (pulg.).....	1/2" x 6".....	1/2" x 6"
Tamaño de la Hoja de Corte (pulg.) .....	6-1/16" x 3/4 x 5/64.....	0.10T x 0.59 x 0.59
Interruptor.....	botonera.....	botonera
Tamaño global de la guía (pulg.).....	4 x 38.....	4 x 38
Inclinación de la Guía (grados) .....	+/- 45.....	+/- 45
Topes .....	- 45, 45, y 90 grados.....	- 45, 45, y 90 grados
Altura de la Superficie de la Mesa (pulg.).....	31-1/2.....	31-1/2
Motor.....	TEFC, 1 HP, 1 Ø, 115/230V*, 60Hz.....	TEFC, 1 HP, 1 Ø, 115/230V*, 60Hz
Dimensiones Generales (LxAxH)( pulg.) .....	66 x 24 x 37-1/2.....	66 x 24 x 37-1/2
Peso de la Plataforma de la Canteadora (lbs.) .....	254.....	254
Peso de la Base (lbs.).....	80.....	80

\* (Cableado para 115V)

Las especificaciones de arriba fueron las actuales al momento de publicar este manual, pero debido a nuestra política de mejora continua, Powermatic se reserva el derecho de cambiar las especificaciones en cualquier momento y sin notificación previa, sin incurrir en obligaciones.

## Desempaque

Al recibir la entrega, abra los contenedores y verifique que todas las partes se hallen en buenas condiciones. Ante cualquier daño, reporte el hecho inmediatamente a su distribuidor y agente de transporte. Antes de proseguir, lea su manual y familiarícese por completo con los procedimientos de montaje, mantenimiento y seguridad.

Compare los contenidos de su contenedor con las partes de la lista siguiente para asegurarse de que todas las partes se encuentren intactas. Las partes extraviadas si hubieren, deberían ser reportadas a su distribuidor. Lea completamente el manual para las instrucciones de montaje, mantenimiento y seguridad.

## Contenido del Cont. de Transporte

**Nota:** Esta unidad viene empacada en 2 cartones

### Cartón de la Base

- 1 Base de Canteadora
- 1 Puerta con accesorios de montaje
- 1 Colector de Polvo c/accesorios de montaje

### Cartón de la Unidad Principal

- 1 Conjunto de Canteadora
- 1 Conjunto Guía
- 1 Cubierta de Polea
- 1 Correa
- 1 Guarda de la Cabeza de Corte
- 2 Bloques de Empuje
- 1 Manija de Guía
- 1 Bolsa para accesorios

## Contenido de la Bolsa de Accesorios (todos los modelos):

(PM54A-HP, Figura 1)

- 4 1/4-20 x 1/2" Tornillos de Cabeza Circ. (A)
- 3 3/8" x 5/8" Arandelas de Presión(B)
- 4 1/4-20 x 1/2" Arandelas Planas(C)
- 3 Bulones de Bloqueo (D)

## Herramientas Incluidas (54A solamente)

(PM54A-HP2)

- 1 Llave de Boca plana abierta de 8/10mm
- 1 Llave de Boca plana abierta de 12/14mm
- 1 Llave Allen de 3mm
- 1 Llave Allen tipo T de 4mm
- 1 Llave Allen de 8mm
- 1 Destornillador Pto.Cruz

## Herramientas Incluidas (54HH solamente)

(PM54HH-HP, Figura 3)

- 1 Llave de Boca plana abierta de 8/10mm
- 1 Llave de Boca plana abierta de 12/14mm
- 1 Llave Allen de 3mm
- 2 Destornilladores Pto.Estrella (E)
- 5 Cuchillas Intercambiables (F)
- 10 Tornillos de Cuchillas Intercambiables (G)
- 1 Destornillador Pto.Cruz

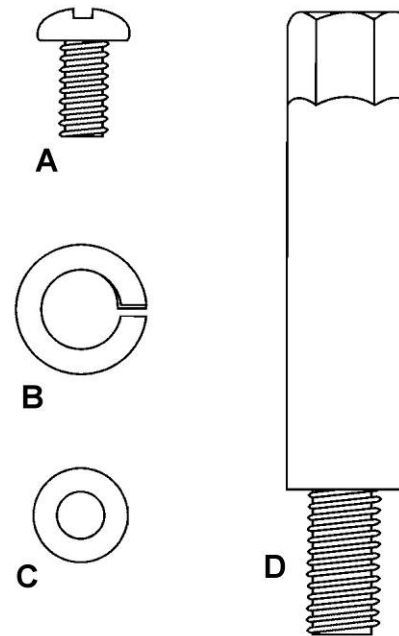


Figura 1

PM54A-HP Contenido de la Bolsa de Accesorios (todos los modelos)

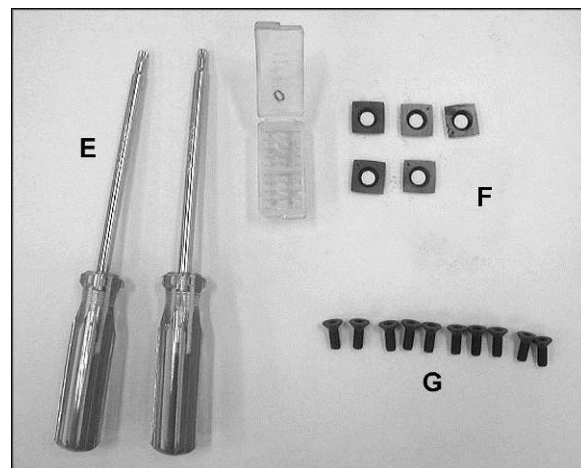


Figura 2

PM54HH-HP Contenido parcial de la bolsa de hardware (solamente con el modelo 54HH)

## Herramientas Requeridas

Llaves de boca plana abiertas (8, 10, 12, 14, & 19mm)  
Llaves Allen (3 & 6mm)



# Montaje

## Desempaque y Limpieza

Coloque la canteadora en un área nivelada y con una base sólida, Asegúrese de que un retroceso potencial no se encuentre alineado con pasillos, salidas, estaciones de lavado u otras áreas de trabajo.

1. Termine cuidadosamente de retirar todo el contenido de los cartones de empaque. Compare el contenido de los cartones de empaque con el listado de contenidos en la página 8. Coloque las partes sobre una superficie protegida.
2. Coloque el material y cartones de empaque a un lado, No se deshaga de ellos hasta que la máquina se encuentre debidamente ajustada y funcionando apropiadamente.

**⚠ ADVERTENCIA** Las cuchillas de la cabeza de corte son extremadamente filosas; use extrema cautela al realizar las labores de limpieza. La no observación de esta pauta puede causar serias lesiones!

3. Humedezca un paño blando con kerosén y retire el recubrimiento protector de todas las superficies mecanizadas de la canteadora, NO use una superficie abrasiva. No use gasolina, acetona o thinner ya que estos pueden dañar las superficies pintadas
4. Aplique una fina capa de cera en pasta para lustrar las superficies de la guía y las tablas para evitar la formación de óxido. Alternativamente con el talco en polvo aplicado con un borrador de pizarra frotado vigorosamente una vez por semana; esto llenará los poros y formará una barrera contra la humedad. El talco en polvo no mancha ni estropea las terminaciones de la madera.

## Instalación de la Plataforma a la Base

1. Coloque la canteadora sobre la base de manera a que la polea fijada a la canteadora se encuentre directamente por encima y al mismo lado de la polea del motor.
2. Use tres pernos de bloqueo y arandelas de presión (Fig. 3) para fijar firmemente la canteadora a la base. Los pernos son roscados hacia arriba a través de los orificios en la base hacia la base de la canteadora. (Fig.4).
3. Use una llave allen de 14mm para ajustar los pernos de bloqueo.



Figura 3

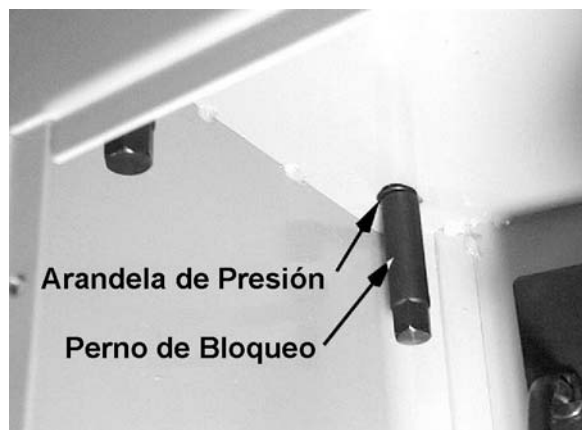


Figura 4

## Instalación de la Guía a la Plataforma

En referencia a la Figura 5:

1. Antes de mover el conjunto guía asegure la manivela de bloqueo de inclinación (K).

**PRECAUCION** Asegure la manivela de bloqueo de inclinación para evitar lesiones serias debido a las piezas móviles.

2. Coloque la chaveta (F) en la ranura mecanizada del soporte de la guía (G) como se muestra. El pasador del resorte (E) debería alojarse en el orificio de la ranura. La chaveta (F) debería estar firmemente apoyada en la ranura.
3. Recubra ligeramente las superficies de emparejamiento del soporte de la guía (G) y la base deslizante de la guía (B) con aceite.
4. Coloque la base deslizante de la guía (B) sobre el soporte de la guía (G), alineado con la ranura mecanizada (D) en la base deslizante de la guía con la chaveta (F).
5. Fije la arandela plana (H) y dos tuercas (J) en el tornillo de cierre (A) pero no lo ajuste.
6. Oriente la manija de bloqueo (C) en la posición mostrada; luego ajuste las tuercas (J) con una llave de 19 mm.

Esta es la posición bloqueada para el conjunto guía. La rotación de la manija de bloqueo (C) afloja el conjunto guía permitiéndole que deslice el conjunto para adelante y para atrás. Las tuercas pueden necesitar un reapriete para permitir que la guía se deslice para adelante y para atrás. (manija en posición horaria) y aún asegurar suficientemente la guía (manija de bloqueo posicionada como se muestra en C).

Cuando el tornillo de bloqueo (A) está ajustado, la guía debería estar asegurada.

## Instalación de la Correa de Impulsión

En referencia a la Figura 6:

1. Coloque la correa V (A) alrededor de la polea de la cabeza de corte (B) y a través de la abertura en la base.
2. Estire la polea V hacia abajo y colóquela alrededor de la polea del motor (C).

Si le resulta difícil de girar la polea, afloje los tornillos de montaje del motor (D). Luego eleve el motor tanto como sea posible y monte la correa en ambas poleas. Permita que el motor descienda y genere tensión sobre la correa.

3. Verifique para asegurarse que la polea del motor y la polea de la cabeza de corte se encuentren alineadas verticalmente y que la correa V no haga contacto con los lados de apertura de la base. Si las poleas no se encuentran alineadas, retire la correa y ajuste la polea del motor para adentro o para afuera del eje del motor y fije nuevamente la correa.

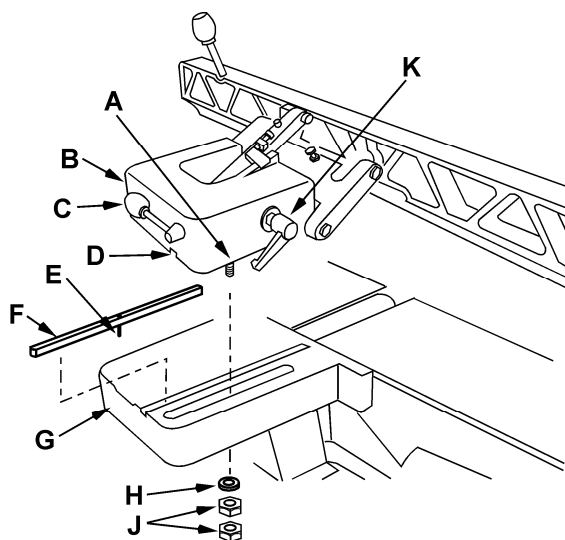


Figura 5

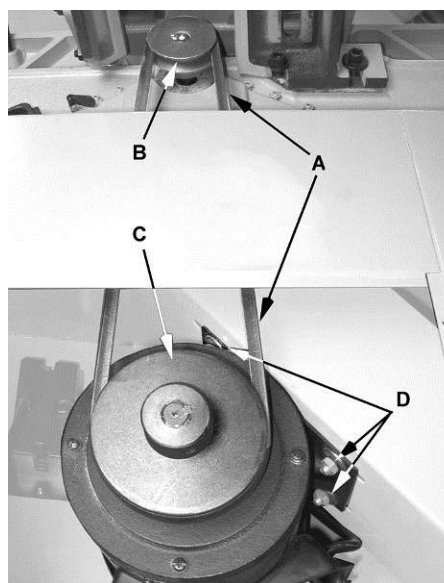


Figura 6

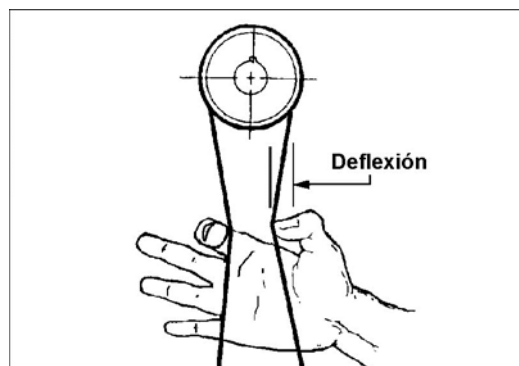


Figura 7

- Estire el motor hacia abajo para obtener la tensión de correa deseada.

La correa V se encuentra tensionada apropiadamente cuando la presión de los dedos sobre la correa a mitad de camino entre las poleas causa una deflexión de  $\frac{1}{2}$ " (Fig. 7).

- Ajuste los pernos de montaje.

Luego de 2 horas de operación, verifique la tensión de la correa nuevamente, Reajuste la correa si es necesario.

### Instalación de la Cubierta de la Polea

En referencia a la Figura 8:

- Coloque la cubierta de la polea (A) por sobre la abertura en la base.
- Alinee los orificios en la base con los orificios en la guarda.
- Fije la cubierta de la polea a la base usando cuatro tornillos de cabeza circular de  $\frac{1}{4}$ -20 x  $\frac{1}{2}$ " y arandelas planas de  $\frac{1}{4}$ " (B).

### Instalación de la Guarda de la Cabeza de Corte

- Retire el tornillo del eje de la guarda.

En referencia a la Figura 9:

- Gire el pomo con resorte (B) aproximadamente media vuelta en el sentido antihorario (como se observa desde la parte superior) y sosténgalo.
- Inserte el eje de la guarda en el orificio de la mesa. Asegúrese de que el resorte dentro del pomo con resorte se engrane con la ranura en el eje de la guarda. Si es necesario, gire suavemente el pomo hasta que la guarda quede bien apoyada.
- Rosque el tornillo (C) de vuelta en el eje de la guarda.
- Verifique para una correcta operación. La guarda de la cabeza de corte (A) debe regresar completamente a la guía una vez que esta es liberada. Si la guarda no regresa completamente, estire la guarda, aplique más tensión al pomo con resorte (B) girando el mismo otra media vuelta en el sentido antihorario y reinserte la guarda. Si la guarda se cierra muy rápido y golpea duramente la guía, revierta el proceso.
- Inserte el tornillo (C) de vuelta en el eje de la guarda.

### Instalación de la Puerta de Acceso y el Colector de Polvo

En referencia a la Figura 10:

Instale la puerta de acceso (C) colocando la parte inferior del panel en la base y ajustando con cuatro tornillos de cabeza circular  $\frac{1}{8}$  x  $\frac{3}{8}$  (A) y cuatro arandelas  $\frac{1}{8}$ " (B).

Fije el colector de polvo (D) a la base con cuatro tornillos de máquina de  $\frac{1}{4}$ " x  $\frac{1}{2}$ " y cuatro arandelas planas  $\frac{1}{4}$ " (B).

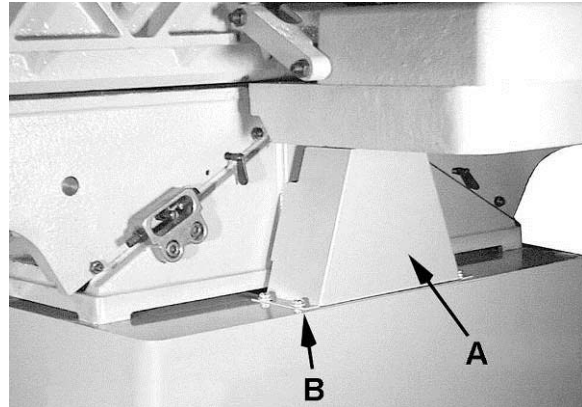


Figura 8

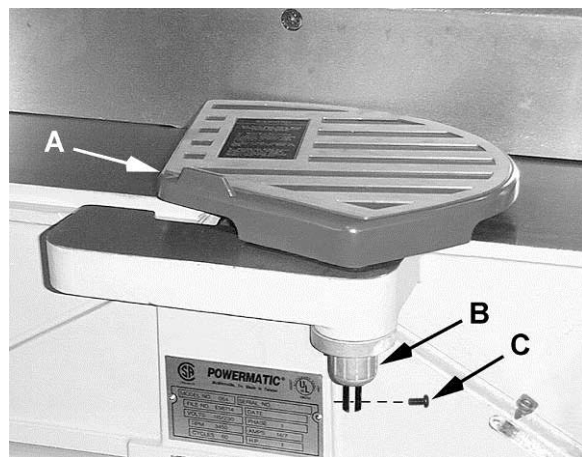


Figura 9

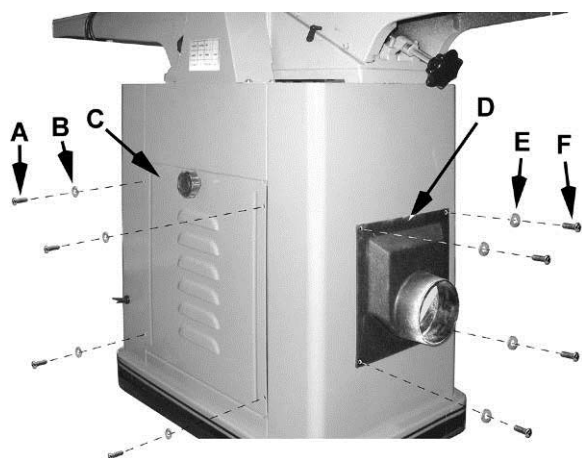


Figura 10

# Instalación Eléctrica

## Instrucciones de Puesta a Tierra

**⚠ PRECAUCION** Esta canteadora debe ser puesta a tierra mientras se encuentra en uso para proteger al operador de una descarga eléctrica.

Ante el evento de mal funcionamiento o descargas, la puesta a tierra provee el camino de menor resistencia para la corriente eléctrica para reducir el riesgo de choque eléctrico. Esta herramienta está equipada con un conductor eléctrico teniendo un conductor de puesta a tierra del equipo y un enchufe con cable de puesta a tierra. El enchufe debe ser insertado en el toma correspondiente, instalado apropiadamente y puesto a tierra de acuerdo a las normativas y ordenanzas locales.

No modifique el enchufe suministrado. Si no encaja en el toma, haga instalar el toma apropiado con un electricista calificado. La conexión inapropiada del conductor de puesta a tierra del equipo puede resultar en riesgo de choque eléctrico. El conductor con aislación externa de color verde con/sin rayas amarillas, es el conductor de puesta a tierra del equipo. Si la reparación o sustitución del cable es necesaria, no conecte el conductor de puesta a tierra del equipo a un terminal energizado.

Verifique con un electricista calificado o personal de mantenimiento, si las instrucciones de puesta a tierra no son bien entendidas, o si tiene dudas respecto de la correcta puesta a tierra de la herramienta.

Repáre o sustituya un cable dañado o gastado de inmediato.

### Operación en 115 Voltios

En referencia a la Figura 11:

Tal como se recibió de la fábrica, su canteadora para trabajo en madera está listo para operar a una tensión de operación de 115 Voltios. Esta canteadora, al ser cableada para 115 Voltios, esta prevista para el uso en un circuito que tenga la toma y el enchufe semejantes a las ilustradas en la figura (A). Un adaptador temporal, el cual se asemeja al adaptador mostrado en (B) puede ser usado para conectar este enchufe a un receptáculo bipolar si una toma con puesta a tierra apropiada no está disponible.

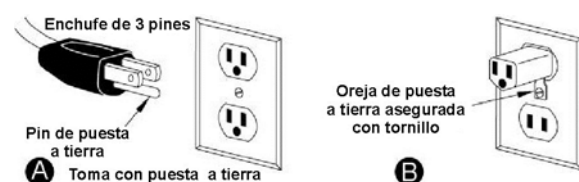


Figura 11

El adaptador temporal debería ser usado solamente hasta que un toma con puesta a tierra apropiada pueda ser instalado por un electricista calificado. Este adaptador no es aplicable en Canadá. La oreja rígida coloreada en verde, el terminal y la que se extiende del adaptador deben ser conectados a una tierra permanente tal como una caja de apropiada de conexión de puesta a tierra.

### Operación a 230 Voltios

En referencia a la Figura 12:

Si se desea operar a 230 Voltios monofásico, las siguientes instrucciones deben ser consideradas.

1. Desconecte la máquina de la red de energía eléctrica.
2. El motor de la canteadora tiene cuatro cables enumerados que vienen conectados de fábrica para una operación a 115 Voltios, como se muestra en la Figura (A). Para una operación a 230 Voltios, reconecte los cables como se muestra en la figura (B). Esto es mostrado también en los diagramas de las páginas 39 y 40.
3. El enchufe (C) de 115 Voltios suministrado con la canteadora para trabajo en madera debe ser sustituido con un enchufe listado (D) de UL/CSA para operación en 230 Voltios. Consulte con su Centro de Servicios Autorizados de Powermatic sobre los procedimientos apropiados para instalar el enchufe. La canteadora debe cumplir con todas las normativas nacionales luego de que el enchufe de 230 Voltios haya sido instalado.
4. La canteadora con un enchufe de 230 Voltios debería ser conectada solamente con un toma que tenga la misma configuración como se muestra en (D). Si ningún adaptador está disponible no debería ser usado con un enchufe de 230 Voltios.

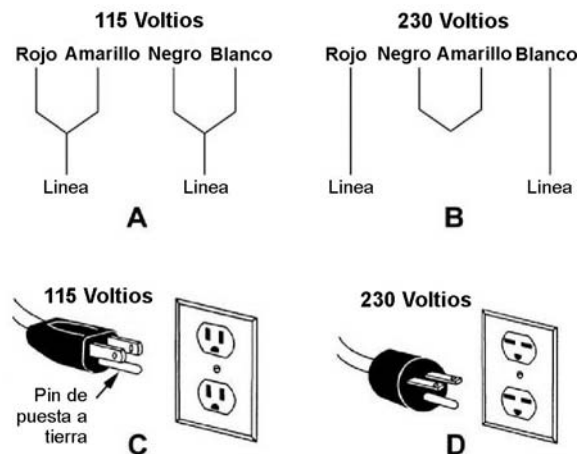


Figura 12

## Cables de Extensión

Asegúrese de que su cable de extensión se encuentre en buenas condiciones. Si usa un cable de extensión, asegúrese de usar uno de sección robusta para conducir la corriente que consumirá su máquina. Un cable subdimensionado causará una caída de tensión resultando en una falta de potencia y sobrecalentamiento. La tabla 1 muestra el tamaño correcto dependiendo de la longitud del cable y corriente nominal de la placa general en la elección del tamaño correcto del cable. En caso de dudas use el calibre inmediato superior. Recuerde, cuando más pequeño es el número de calibre, mayor es la sección del cable.

Calibres de los Cables de Extensión Recomendados

Amperes	Long. Del Cable de Extensión en Pies*					
	25	50	75	100	150	200
< 5	16	16	16	14	12	12
5 a 8	16	16	14	12	10	NR
8 a 12	14	14	12	10	NR	NR
12 a 15	12	12	10	10	NR	NR
15 a 20	10	10	10	NR	NR	NR
21 a 30	10	NR	NR	NR	NR	NR

\*basado en el criterio del límite de la caída de tensión de 5V a 150% de la carga nominal.

NR: No Recomendado

Tabla 1

## Ajustes

### Movimiento de la Guía

La guía puede ser desplazada hacia adelante y hacia atrás a lo largo del anchura de la mesa. También se inclina hasta 45 grados hacia adelante y tiene un tope positivo a 90 grados.

El conjunto guía debería ser movido periódicamente a diferentes posiciones al realizar el ensamblado de aristas para distribuir el desgaste en las cuchillas de la cabeza de corte.

En referencia a la Figura 13:

*Para deslizar la guía hacia adelante y hacia atrás:*

1. Afloje la manija de bloqueo (A).
2. Empuje el conjunto completo de la guía a la posición deseada y ajuste la manija de bloqueo

*Para inclinar la guía hacia adelante:*

La guía puede ser inclinada hacia adelante a cualquier ángulo hasta 45 grados.

1. Afloje la manija de bloqueo (B).
2. Ajuste la guía al nivel deseado hasta 45 grados. O puede colocar su pieza de referencia sobre la mesa y contra la guía, y ajuste la guía hasta que el ángulo de la guía se corresponda con el bisel de su pieza de referencia.

3. Ajuste la manija de bloqueo (B).

*Para inclinar la guía hacia atrás:*

La guía puede ser inclinada para atrás 45 grados (esto es hasta un ángulo de 135 grados con respecto a la superficie de la mesa).

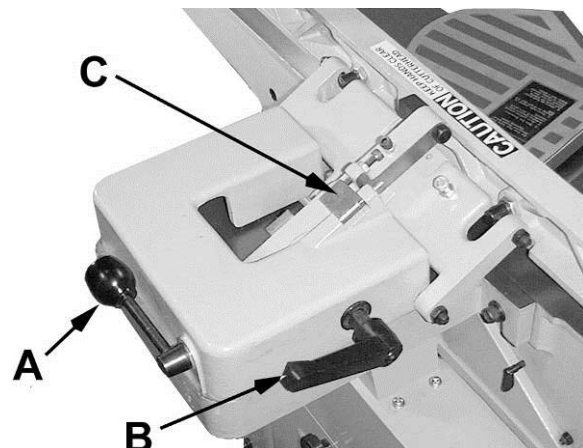


Figura 13

1. Afloje la manija de bloqueo (B).
2. Cambie la posición del bloque de tope de 90 grados (C) liberando la posición.
3. Ajuste la guía al nivel deseado hasta 135 grados. O puede colocar su pieza de referencia sobre la mesa y contra la guía, y ajuste la guía hasta que el ángulo de la guía se corresponda con el bisel de su pieza de referencia.
4. Ajuste la manija de bloqueo (B).

**Importante:** Al terminar la operación de inclinación y una vez que la guía sea regresada a su posición de 90 grados, no olvide colocar el bloque de tope (C) de regreso a su posición original.

## Ajustes de los Topes de la Guía

Verifique periódicamente la exactitud de inclinación de la guía a 90° y 45° (135°) con un (medidor de ángulo) tal como una escuadra ajustable o un transportador de ángulo mecánico.

### Ajuste del Tope de 90°

En referencia a la Figura 14:

El tope de 90 grados es controlado por el tornillo de tope (F) y el bloque de tope (E).

1. Coloque la mesa de entrada aproximadamente a la misma altura de la mesa de salida.
2. Mueva la guía, liberando la manija de bloqueo (A) y empujando el conjunto guía hasta que se solapen las mesas.
3. Ajuste la manija de bloqueo (A).
4. Ajuste la guía a un ángulo de 90 grados, liberando la manija de bloqueo (B), estirando la *manija de la guía* (E).

**Nota:** El *perno de tope* (F) debería reposar contra el *bloque de tope* (C).

5. Coloque un dispositivo de medición de ángulos sobre la mesa y contra la guía para confirmar una posición a 90 grados. (A, Fig. 15).
6. Si la guía no es perpendicular a la mesa, libere la *manija de bloqueo* (B), afloje la *tuerca de bloqueo* (D) que asegura el *perno de bloqueo* (F) y gire el *perno de tope* hasta que la guía sea perpendicular a la mesa.
7. Ajuste la *tuerca de bloqueo* (D) para asegurar el *perno de bloqueo* (F) el cual retiene el ajuste.
8. Ajuste la manija de bloqueo (B).

### Posicionamiento del tope de avance de 45 grados

Posicione la palanca de inclinación de la guía (E, Fig. 14) hacia el operador.

El tope de avance de 45 grados es controlado por el *tornillo de avance* (G, Fig. 14). El ajuste es realizado de la misma forma que el ajuste de tope a 90 grados excepto que se emplea una escuadra de 45 grados.

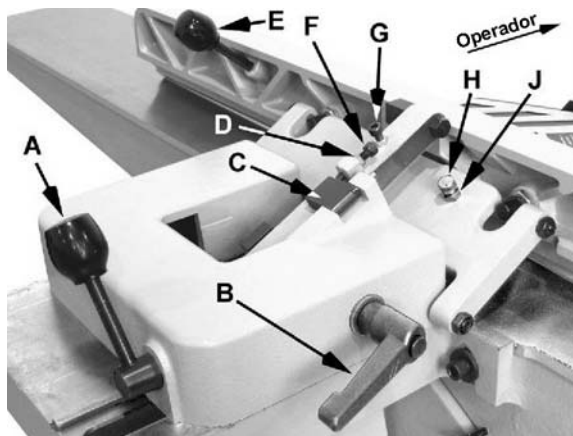


Figura 14

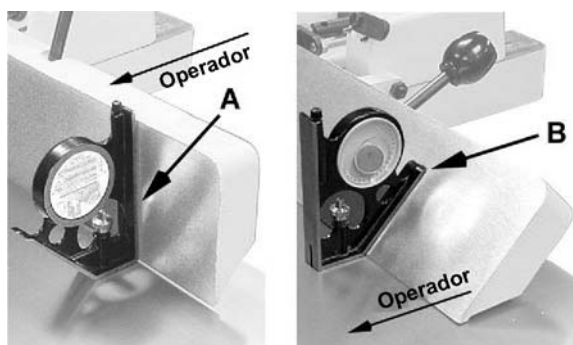


Figura 15

### Posicionamiento del tope de retroceso de 45 grados

En referencia a la Figura 14:

El tope de avance de guía de 45 grados es controlado por el *tornillo de tope* (H).

1. Afloje la manija de bloqueo (B).
2. Retire el bloque de tope (C) y posicione la guía a un ángulo de 135 grados, la palanca (E) de inclinación de la guía es posicionado *lejos* del operador como se muestra. Asegúrese de que la guía se apoye contra el *perno de tope* (H).
3. Ajuste la manija de bloqueo (B).
4. Coloque un dispositivo de medición de ángulo sobre la mesa y contra la guía para confirmar un ajuste de 135 grados (B, Fig. 15).
5. Para ajustar la *tuerca de bloqueo* (J) asegure el *perno de bloqueo* (H) y gire el *perno de tope* hasta obtener un ángulo de 135 grados.
6. Ajuste la *tuerca de bloqueo* (J).

## Ajuste la Altura de la Mesa de entrada

Refiérase a las Figuras 16 – 18.

*Ajuste Inicial (Grueso):*

1. Afloje el tornillo posterior (D) y el pomo de cierre (B).
2. **Elevar o Bajar** el ajuste de la altura de la manija (C) hasta que la escala (A, Fig. 16 y Fig. 17) lea aproximadamente la profundidad deseada del corte.

Si no puede ajustar a cero o a 1/8", vea el *Consejo Valioso* de abajo.

*Ajuste Fino:*

3. Gire la manija de cierre (B) hasta que quede bien ajustada.
4. **Gire** el ajuste de altura de la manija (C) hasta que la escala lea exactamente. En el sentido horario, la mesa se eleva, en el sentido antihorario la mesa descende.

**Nota:** El ajuste de manija de altura (C) tiene un ajuste fino de 1/16" de camino por vuelta.

5. Cuando esté colocada, reajuste e tonillo posterior (D).

**Importante:** Para operaciones normales, la profundidad de corte no debería exceder 1/8" excepto para operaciones de rebaje.

**Consejo Valioso:** Ocasionalmente Usted encontrará que no puede ajustar el curso en todo el intervalo para arriba hasta cero o para abajo hasta 1/2" sobre escala de *Profundidad de Corte* (Figura 17) al elevar o bajo la manija (C, Fig. 16). Cuando eso ocurra:

Con el *pomo de cierre* (B, Fig. 16) desbloqueado gire la manija de ajuste de altura (C, Fig. 16) unas veces, luego elévelo o bájelo. Una vez que llegue a cero o a 1/2" (Figura 17), podrá nuevamente girar la manija (C) a el rango completo.

## Limitador de Desplazamiento de la Mesa de entrada

En referencia a la Figura 19:

El limitador de desplazamiento de la mesa de entrada ubicado en la parte posterior de la mesa ajusta el rango superior o inferior para el ajuste de altura de la mesa de entrada y no debería requerir ajuste. Para el ajuste de altura de la mesa de entrada refiérase a la sección precedente

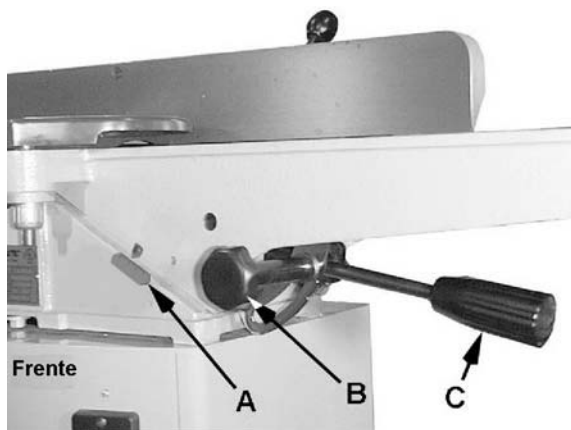


Figura 16



Figura 17

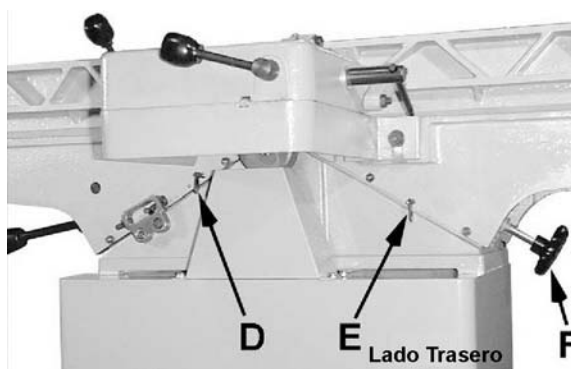


Figura 18



Figura 19

## Ajuste de la Doble Chaveta de la Mesa

Las chavetas de las mesas de *alimentación* y *salida* de su máquina vienen ajustadas de fábrica e inicialmente no deberían requerir reajustes. Luego de un periodo de uso, las chavetas dobles podrían aflojarse, introduciendo cierto juego causando que las mesas se comben. Esto requiere reajustes.

Para ajustar (refiérase a la Figura 20):

1. Con una llave de boca plana de 10 mm, afloje las tuercas de empaque que aseguran los tornillos de las chavetas dobles (A o B).
2. Haga que otra persona sujete el extremo de la mesa, levantando la mesa suavemente mientras Usted realiza los ajustes.
3. Con una llave allen de 3 mm, ajuste cada tornillo de ajuste en  $\frac{1}{4}$  de vuelta empezando por el tornillo inferior, luego el tornillo superior. Si el cuarto de vuelta no elimina el juego de la mesa, realice otro ajuste en  $\frac{1}{4}$  de vuelta. Repita el giro de  $\frac{1}{4}$  de vuelta por vez para ambos tornillo de ajuste hasta que la holgura sea eliminada.

**Nota:** Si la chavetas están muy ajustadas, las *manijas de ajuste* (C) serán difíciles de girar

4. Cuando el ajuste esté completo sostenga los tornillos de ajustes en posición con una llave allen de 3 mm para mantener la posición mientras ajusta las tuercas de empaque con una llave de boca plana de 10 mm.

## Ajuste de la Altura de la Mesa de Salida

Al recibir la canteadora, las cuchillas han sido preajustadas en fábrica. Sin embargo la altura y paralelismo de las cuchillas con la mesa de salida deberían ser verificados y los ajustes necesarios realizados antes de poner la canteadora en servicio.

Ajuste la altura de la mesa de salida de la forma siguiente:

1. Desconecte la canteadora de la red de energía eléctrica.
2. Enumere cada hoja (modelo 54A solamente) con un marcador para que sea fácil diferenciarlos.
3. Coloque una regla recta sobre la mesa de salida y extiéndala sobre la cabeza de corte (Figuras 21 y 23).

**⚠ ADVERTENCIA** Las cuchillas para cepillado e **cuchillas intercambiables son extremadamente filosas. No agarre la cabeza de corte directamente para girarla.**

4. Gire la cabeza de corte, usando la correa de impulsión o polea, hasta que la cuchilla *número uno* (o un inserto de cuchilla en el modelo 54HH) se encuentre en su punto más alto. El ápice de la cuchilla debería hacer un contacto muy suave.

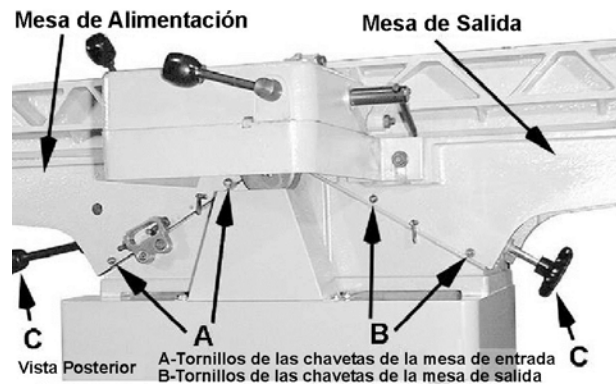


Figura 20



Figura 21

Si el ápice de la *cuchilla número uno* haga contacto con la regla, ningún ajuste es requerido para la mesa de salida. Proceda a la sección del *Ajuste de las Cuchillas de la Cabeza de Corte*

Si el ápice de la *cuchilla número uno* queda debajo de la regla recta ( existe una holgura) o si empuja la regla hacia arriba, proceda con los pasos siguientes:



- Afloje ambos tornillos de bloqueo de la chaveta doble (Figura 22).
  - Con la *manivela de la mesa de salida* (Fig. 21) eleve o baje la *mesa de salida* hasta la *regla* haga contacto con la *punta de la cuchilla*, como se muestra en la Fig. 23. Usando la correa de impulsión o polea, sacuda la cabeza de corte suavemente para asegurar el ápice de la cuchilla se encuentre en contacto suave con la regla.
- Al terminar el ajuste:
- Bloquee la *mesa de salida* a esta altura ajustando el tornillo de bloqueo de la chaveta doble (Figura 22). El ajuste de la mesa de salida está terminado.

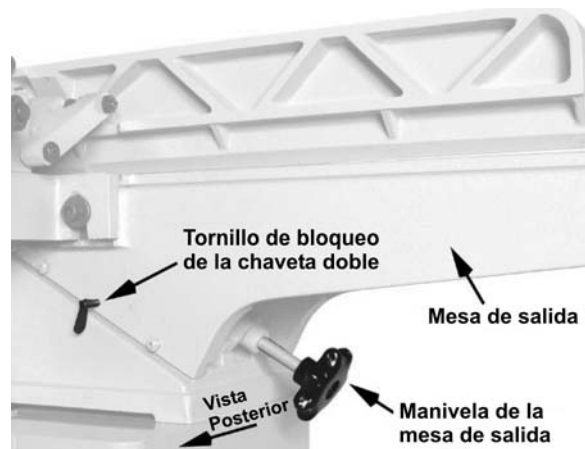


Figura 22

El ajuste de la mesa de salida es solamente hecho contra una cuchilla o inserto de cuchilla (la hoja número uno fue seleccionada arbitrariamente aquí) Después de que la mesa de salida haya sido ajustada a la altura correcta, no la cambie excepto para operaciones especiales o después de reemplazar las cuchillas.

Después de que este ajuste haya culminado en el modelo 54A, es necesario para proceder a la Sección *Ajuste de las Cuchillas de la Cabeza de Corte* para verificar que las tres cuchillas se encuentren a la altura correcta y paralelas a la mesa de salida. Para el modelo 54HH, proceda a la sección de Sustitución y Rotación de las cuchillas Intercambiables en la página 20.

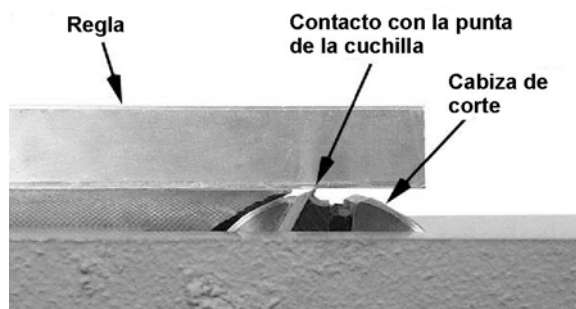


Figura 23

### **Ajuste de las Cuchillas de la Cabeza de Corte (Modelo 54A solamente)**

**Nota:** Antes de ajustar las cuchillas de la canteadora 54, el *Ajuste de la Altura de la Mesa de Salida* debería ser realizado para asegurar la altura apropiada de la cuchilla en relación a la mesa de salida.

Las cuchillas para la cabeza de corte del modelo 54A son ajustados por medio de una leva. Es importante notar que el ajuste entero es obtenido con una rotación completa (360 grados) de la leva. Un rotación completa de la leva causará que la hoja de la cuchilla se mueva un total de 0.015" desde un extremo al otro. Rotando la leva más de una rotación completa no ajustará más el ajuste de la cuchilla, pero empezará simplemente el ajuste totalmente de nuevo. El procedimiento de ajuste de la cuchilla se describe más abajo.

**⚠ ADVERTENCIA** Las cuchillas de la cabeza de corte son peligrosamente filosas! Use precaución extrema al inspeccionar, retirar, afilar o reemplazar las cuchillas en la cabeza de corte. La no observación de esta pauta podría causar serias lesiones.

Para el ajuste (refiérase a las Figuras 24 & 25):

- Desconecte la canteadora de la red de energía eléctrica.

2. Enumere cuidadosamente cada hoja con un marcador para que sea fácil diferenciarlas.
3. Coloque la regla a lo largo de la mesa de salida extendiéndola *hacia un extremo de la cuchilla*.

**⚠ ADVERTENCIA** Las cuchillas de la cabeza de corte son peligrosamente filosas. No agarre a cabeza de corte en forma directa para rotarla! La no observación de esta pauta podría causar serias lesiones.

4. Rote la cabeza de corte hacia *atrás y adelante* usando la correa de impulsión o polea, hasta que la *cuchilla número uno* se encuentre en su punto más alto. El ápice de la cuchilla debería entrar en un contacto ligero con la regla.
5. Mueva la regla *hacia el otro extremo de la cuchilla* y repita el paso 4.

El ápice de la cuchilla *en ambos extremos de la cuchilla apenas hacen contacto* con la regla. Sí el ápice de la *cuchilla número uno* queda debajo de la regla recta ( existe una holgura) o si empuja la regla hacia arriba, proceda con el paso siguiente.

6. Usando una llave allen de 4mm, afloje suavemente los cuatro tornillos de las chavetas dobles.
7. Usando una llave allen de 3 mm, afloje los tornillos de bloqueo de la leva para permitir el ajuste de la leva (descrito en el siguiente paso).

**Importante:** Conserve siempre los tornillos de la leva de bloqueo bien ajustadas de manera a que la leva no pueda girar libremente. Esto es especialmente importante cuando la leva es girada en sentido antihorario dado que esta acción causará el tornillo de la leva de bloqueo se afloje aún más.

8. Usando una llave allen de 8 mm, ajuste la leva (vea la Figura 25). Este ajuste es muy sensible. Inicie girando la leva en un sentido antihorario solo unos pocos grados.
9. A continuación, conserve estable la cabeza de corte sosteniéndola firmemente sobre la polea, coloque una pieza de madera presionado contra el borde de la cuchilla y presione para asentar la hoja de la cuchilla apropiadamente.
10. Verifique su progreso repitiendo los pasos 4 y 5. Si la cuchilla está fuera de ajuste, gire la leva en otra dirección.
11. El ajuste está casi completo una vez que los requisitos descritos en los pasos 4 y 5 sean cumplidos.

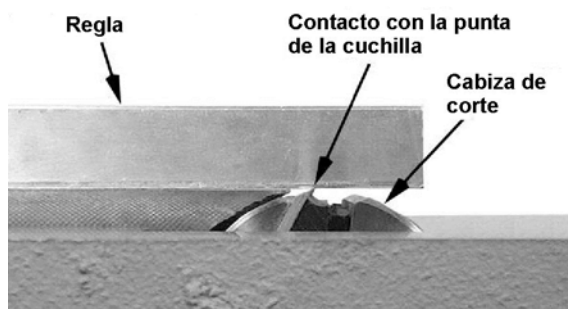


Figura 24

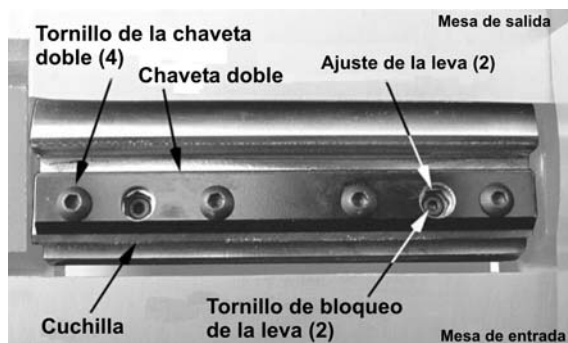


Figura 25

12. A continuación presione la cuchilla firmemente contra la leva, apriete los dos tornillos internos de la chaveta doble que sostienen la chaveta doble y la cuchilla en su lugar. Verifique que la cuchilla se encuentre todavía dentro de ajuste. (pasos 4 y 5).
13. Ajuste los dos tornillos externos de la chaveta doble, luego los tornillos internos de la chaveta doble.
14. Verifique que la cuchilla se encuentre todavía dentro de ajuste. (pasos 4 y 5).
15. Ajuste los tornillo de bloqueo de las chavetas doble.
16. Repita este procedimiento entero para las dos cuchillas restantes.

### Sustitución de las Cuchillas (*Modelos 54A solamente*)

**⚠ ADVERTENCIA** Las cuchillas de las cepilladoras son peligrosamente filosas. Use precaución extrema al inspeccionar, retirar, afilar o reemplazar las cuchillas en la cabeza de corte. La no observación de esta pauta podría causar serias lesiones.

Para retirar y sustituir una cuchilla (Refiérase a la Figura 26):

1. Retire los *cuatro tornillos de las chavetas dobles* (A) con una llave allen de 4 mm.
2. Retire la chaveta doble (B) y cuchilla (C).  
Si la cuchilla está siendo reutilizada (las cuchillas son de doble filo) limpie la cuchilla, chaveta doble y cabeza de corte de las gomas y restos.
3. Coloque la nueva cuchilla o filo no usado de la cuchilla vieja de vuelta sobre la cabeza de corte (D).
4. Sustituya la *chaveta doble* (B) y *tornillos* (A). Ajuste solo con los dedos esta vez.
5. Presione contra el borde cortante de la cuchilla en el centro de la hoja con una pieza de madera. **NO USE LOS DEDOS!** Esto es para asegurar que la leva haga contacto apropiado con la cuchilla.
6. Ajuste los dos tornillos internos, luego los tornillos externos.
7. Libere la pieza de madera presionando contra la cuchilla y ajuste los tornillos de la chaveta doble.
8. Sustituya las dos hojas de corte repitiendo los pasos 1-7
9. Determine si las cuchillas necesitan ser ajustadas.

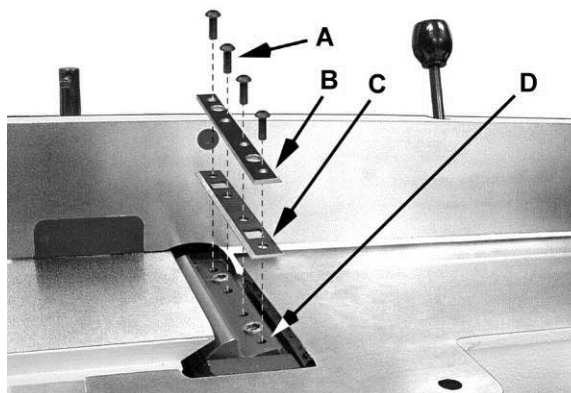


Figura 26

Siga los pasos 3 y 4 de la sección *Ajuste de la Altura de la Mesa de Salida*, para determinar si las cuchillas deben ser ajustadas. **No termine el ajuste completo del ajuste de la mesa de salida.** Si las cuchillas necesitan ser ubicadas, proceda a la sección *Ajuste las Cuchillas de la Cabeza de Corte*

## Ajuste de las Cuchillas para rebajes y biselados (Modelo 54A solamente)

*NOTA: El rebaje no es aplicable en los modelos de cabeza de corte.*

Para posicionar las cuchillas para cortes de rebajes, use una escala con graduaciones de 1/32" y colóquela contra el extremo de la cuchilla cortante. Deslice la cuchilla hacia fuera hasta que se encuentre en la marca de 1/32" en la escala; esto es, la cuchilla estará ahora a 1/32" más allá del filo de la cabeza de corte. La chaveta doble permanecer en posición normal, aún con el filo de la cabeza de corte. (Fig. 27). Este ajuste asegurará que las cuchillas despejen el extremo de la chaveta doble en la cabeza de corte, y tiene buen contacto con el material de trabajo. (Vea la Sección de Cortes de Rebaje para más información.)

**Nota:** Esto corregirá pequeñas hendiduras sin requerir la sustitución de las hojas.

## Sustitución o Rotación de los Cuchillas Intercambiables (Modelo 54HH solamente)

Las cuchillas intercambiables en los modelos de 54HH de la canteadora son de cuatro lados. Si están gastados retire simplemente cada inserto de cuchilla, gírelo en 90 grados para disponer de un filo nuevo y reinstálelo nuevamente.

Use los dos destornilladores suministrados de punto estrella para retirar el tornillo del inserto de la cuchilla. Vea la Fig. 28. Use uno de los destornilladores para ayudar mantener la cabeza de corte en posición, y el otro para retirar el tornillo. Es aconsejable rotar todos los insertos a la vez para mantener la consistencia del corte. Sin embargo si uno de los insertos de la cuchilla desarrolla hendiduras, gire solamente aquellos insertos afectados.

Cada inserto de cuchilla tiene marca de referencia de manera a que puede llevar cuenta de las rotaciones.

**IMPORTANTE:** Al remover o rotar los insertos, limpie el aserrín del tornillo, el inserto y la plataforma de la cabeza de corte. Acumulación de polvo entre estos elementos pueden evitar que el inserto se apoye propiamente y puedan afectar la calidad del corte.

Antes de instalar cada tornillo, recubra ligeramente las roscas del tornillo con aceite de máquina y elimine cualquier exceso.

Ajuste con seguridad cada tornillo que sujeta las cuchillas intercambiables antes de operar la cepilladora !

**⚠ ADVERTENCIA** Asegúrese de que los tornillos de las cuchillas intercambiables estén ajustados con seguridad. Los insertos flojos pueden ser disparados a alta velocidad de la cabeza de corte rotativa, causando lesiones.

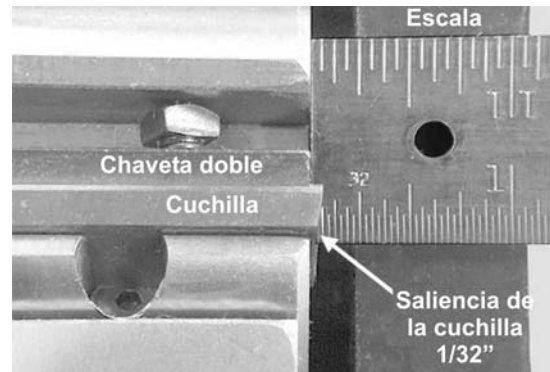


Figura 27

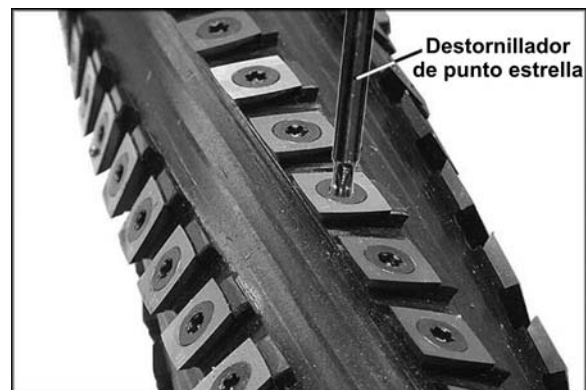


Figura 28

## Determinación de Altura Correcta de la Mesa

La sección de *Ajuste de la Altura de la Mesa*, le dice como ajustar la altura correcta de la mesa con respecto a las cuchillas de la cabeza cortante o las cuchillas Intercambiables. Esta sección le explica como determinar si la mesa de salida necesita ajustes basados en los cortes que están siendo producidos.

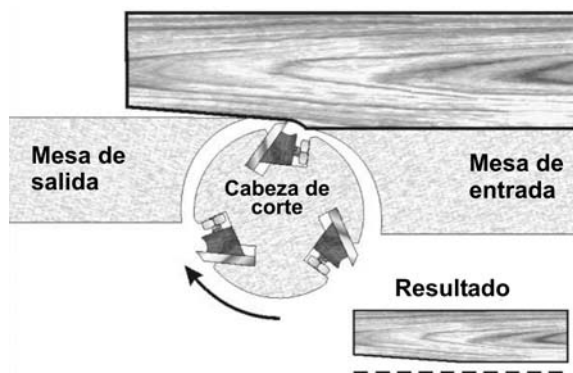
Al recibir la canteadora, las cuchillas han sido preajustadas en fábrica. Sin embargo la altura y paralelismo de las cuchillas con la mesa de salida deberían ser verificados y los ajustes necesarios realizados antes de poner la canteadora en servicio.

La *mesa de salida* y las cuchillas de la *cabeza de corte (Modelo 54A solamente)* correctamente ajustadas si las tres cuchillas son paralelas a la mesa de salida y las tres cuchillas están colocadas a la misma altura que la cabeza de corte.

*Mesa de Salida muy elevada* - Si la mesa de salida está muy elevada, resulta una superficie de terminación curvada (Figura 29).

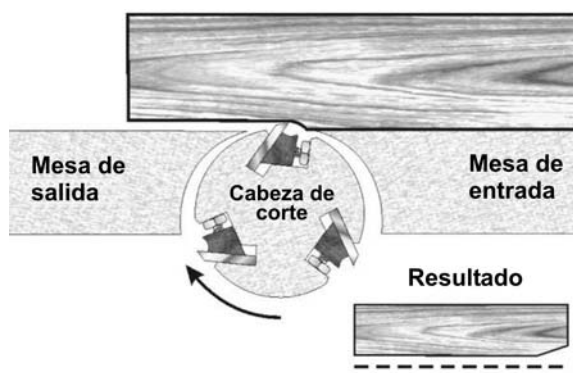
*Mesa de Salida muy baja* - Si la mesa de salida está muy baja resulta una superficie curvada o un defecto en el extremo del corte (Figura 30).

*Mesa de salida en el ajuste correcto* - La Figura 31 ilustra el ajuste correcto del nivel de la mesa de salida con las cuchillas. El material de trabajo se apoyará firmemente sobre ambas mesas sin espacio libre bajo el corte terminado.



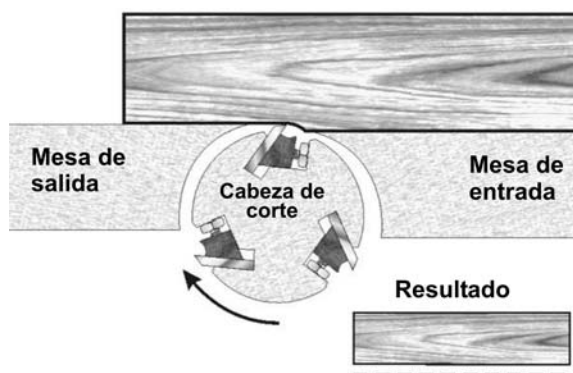
**MESA DE SALIDA MUY ELEVADA**

*Figura 29*



**MESA DE SALIDA MUY BAJA**

*Figura 30*

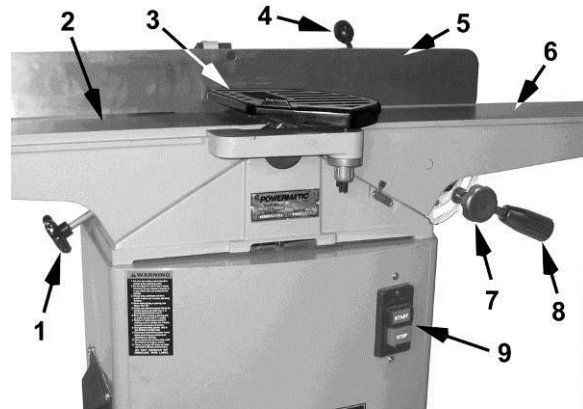


**MESA DE SALIDA A LA ALTURA CORRECTA**

*Figura 31*

## Controles de Operación

1. Manivela de Ajuste de la Altura de la Mesa Wheel
2. Mesa de Salida
3. Guarda de Corte
4. Manija de Ajuste de la Guía
5. Guía
6. Mesa de entrada
7. Pomo de Bloqueo de la Mesa de entrada
8. Ajuste Fino/Grueso de la Altura de la Mesa de entrada
9. Interruptor On/Off (Apagado/Encendido)
10. Bloqueo de la Mesa de entrada
11. Manija de bloqueo de la ranura de la Guía
12. Manija de Bloqueo de Inclinación de la Guía
13. Bloqueo de la Mesa de Salida
14. Limitar de Trayecto de la Mesa de entrada



Controles-Vista Frontal  
Figura 32

## Operación

Importante: Asegúrese de que todos los cuchillos o intercambiables de cuchillas están apretados antes de utilizar la máquina. En el modelo de la cabeza helicoidal, que compruebe la estanqueidad de cada inserción (re-torque) antes de utilizar la máquina por primera vez.

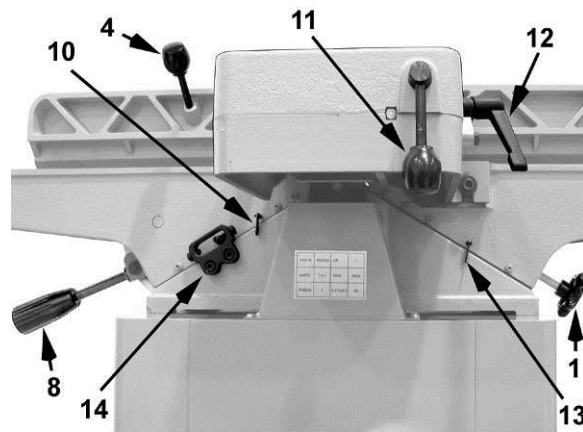
Si Usted es experimentado en el canteado, use restos de piezas de madera para verificar los ajustes y gane confianza en las operaciones antes de intentar operar regularmente.

Establezca los materiales de trabajo largo usando una asistentes o rodillos para establecer nivel con la superficie de la mesa de entrada o salida.

La guía debería ser ajustada para crear un mínimo de exposición a la cabeza de corte durante la operación de canteado

Verifique los siguientes antes de operar la canteadora:

- ❑ La mesa de salida debe estar nivelada con el punto alta de las cuchillas. Esta es una calibración única y descrita en el *Ajuste de la Altura de la Mesa de Salida* en la página 16.
- ❑ Ajuste de la guía para un mínimo de exposición de la cabeza de corte y bloqueados a un ángulo deseado.
- ❑ La guarda de la cabeza de corte debe estar en posición y operando apropiadamente (excepto en los rebajes).



Controles – Visión Posterior  
Figura 33

- ❑ El ajuste de la mesa de entrada para la profundidad de corte deseado. Refiérase al *Ajuste de la Altura de la Mesa de entrada* en la página 15.
- ❑ Aléjese de la cabeza de corte y gire la máquina por unos momentos. Escuche antes ruidos extraños, roces, vibraciones, etc. Corrija tales problemas antes de intentar operaciones en la canteadora.
- ❑ Verifique cuidadosamente su material de trabajo antes nudos, orificios, grampas o cualquier material extraño que pueda dañar las cuchillas o generar un riesgo de retroceso. Verifique también la orientación del grano.

## Operaciones Básicas

Antes de realizar cortes en el material, realice unos cortes de práctica elevando la mesa de entrada a "0" y con el equipo desconectado. De esta manera puede adquirir por si mismo la experiencia de operación de la canteadora.

### Colocación Manual

**ADVERTENCIA** Nunca pase las manos directamente sobre el cabezal de corte.

Al iniciar el corte, la mano izquierda sostiene el material de trabajo firmemente contra la mesa de entrada y la guía mientras la mano derecha empuja el material de trabajo de una manera suave y pareja hacia la cabeza de corte (Figura 34). Luego de que el corte se ejecuta, la nueva superficie reposa firmemente sobre la mesa de salida. La mano izquierda pasa ahora al lado de salida y presiona en esta parte del material de trabajo, al mismo tiempo mantiene un contacto uniforme con la guía. La mano derecha presiona la pieza de trabajo hacia delante y antes de que la mano derecha alcance la cabeza de corte, debe moverse al lado de trabajo en la mesa de salida.

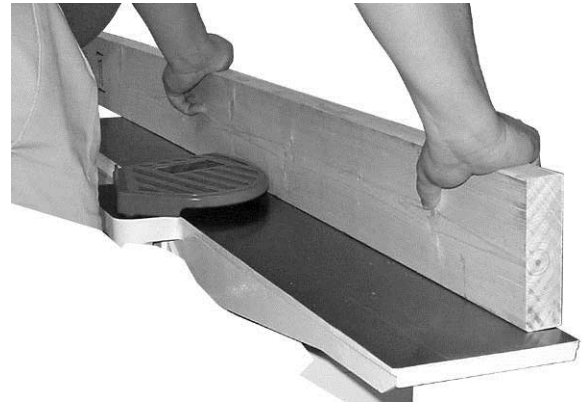


Figura 34

### Dirección del Grano

Evite alimentar material en la canteadora en contra la dirección del grano. Esto puede dar lugar a bordes raspados y astillados. Vea la Figura 35. Alimente con el material según la dirección del grano para obtener una superficie lisa, según lo mostrado en la Figura 36.

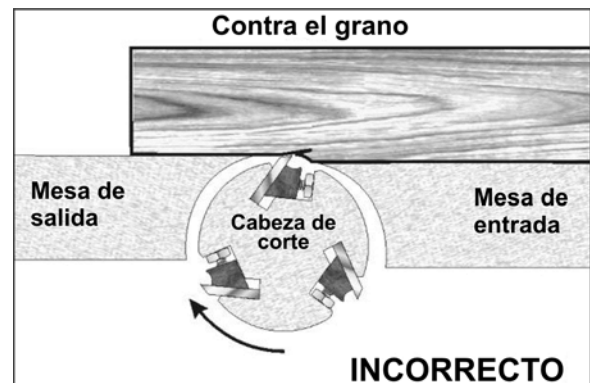


Figura 35

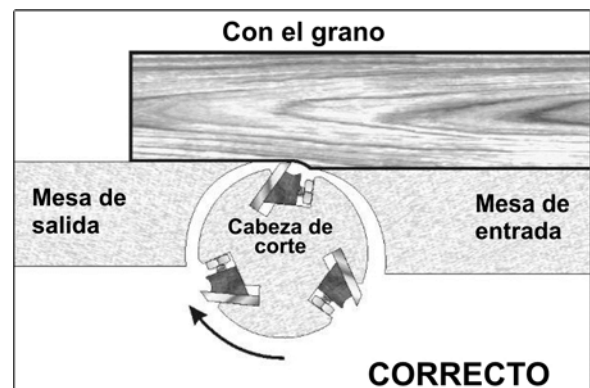


Figura 36

## Cepillado

El propósito del cepillado en una canteadora es producir una superficie plana. El otro lado puede ser limado para dimensiones finales precisas en un cepillado de espesor resultando en una tabla lisa y plana a ambos lados y a cada una paralela a la otra.

- ❑ Si la madera a ser canteada es ahuecada o arqueada, coloque la parte cóncava para abajo y realice cortes ligeros hasta que la superficie sea plana.
- ❑ Use bloques de empuje para ayudar a asegurar que las manos entren en contacto con la cabeza de corte en caso de retrocesos.
- ❑ Nunca cepille piezas de longitud menor a 12 pulgadas o más finas de 3/8" sin el uso de un armazón de apoyo de trabajo.
- ❑ Nunca cepille pieza de espesor a menor de 3 pulgadas sin el uso de un bloque de empuje.
- ❑ En materiales de longitud mayor a 12 pulgadas use dos bloques de empuje (Figura 37).

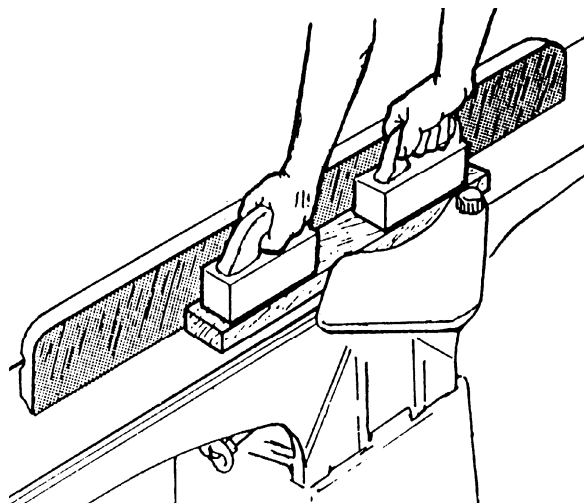


Figura 37

- ❑ Con material estrecho use el bloque de empuje del tipo mostrado en la Figura 38.

**⚠ PRECAUCION** Cuando el material es longitud mayor al doble de las mesas de alimentación y de salida, otro colaborador o soporte debe ser usado para sostener el material.

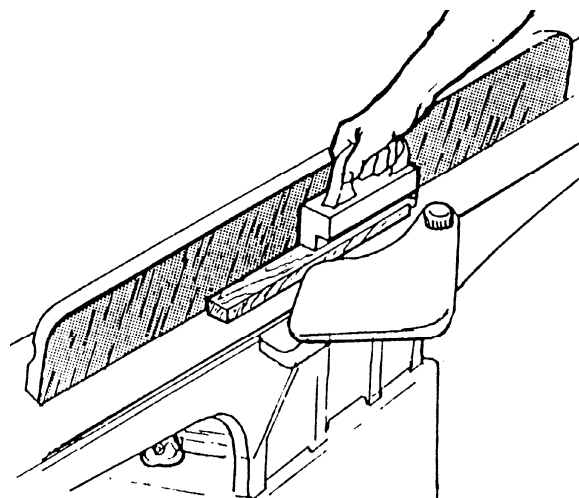


Figura 38

## Ensamblado

Ensamblado (o bordeado) es el proceso de crear una superficie de terminación de arista plana que sea adecuada para el canteado o terminación. Es también un paso previo necesario al corte por el ancho de la mesa en una sierra de mesa.

- ❑ Nunca ensamble una tabla con un ancho menor a 3 pulgadas de ancho, menor a 1/4 de pulgada de espesor o 12 pulgadas de largo sin el uso de un bloque de empuje.
- ❑ Al ensamblar madera de ancho mayor a 3 pulgadas, solape los dedos sobre la parte superior de la madera extendiéndolos de vuelta sobre la guía de manera que actuarán de tope para las manos en caso de retrocesos.
- ❑ Coloque la guía (muévela hacia atrás) para exponerla solamente lo necesario a la cabeza de corte

**⚠ PRECAUCION** Cuando el material de trabajo es dos veces la longitud de las mesas de entrada y salida, use un soporte de entrada y salida.

Para el ensamblado:

1. Asegúrese de que la guía se encuentre regulada a 90 grados. Verifique nuevamente con una escuadra.
2. Inspeccione el material por la solidez y dirección del grano (Refiérase a la Dirección del Grano en la página 23).
3. Si la tabla es arqueada (curvada), coloque la parte cóncava para abajo en la mesa de entrada.
4. Coloque la mesa de entrada para un corte de aproximadamente 1/16 pulgadas.
5. Sostenga el material firmemente contra la guía y la mesa, alimente el material lentamente y de manera uniforme sobre la cabeza de corte.



## Biselado

El biselado de una arista es la misma operación de ensamblado de bordes excepto que la guía está inclinada según un ángulo específico.

- ❑ Asegúrese de que el material biselado sea mayor a 12 pulgadas, más de  $\frac{1}{4}$  de pulgadas de espeso y 1 pulgada de ancho.
- ❑ Aunque la guía puede estar inclinada para adentro o para afuera, es recomendable que la guía sea inclinada hacia el operador (como se muestra en la Figura 39) por razones de seguridad.

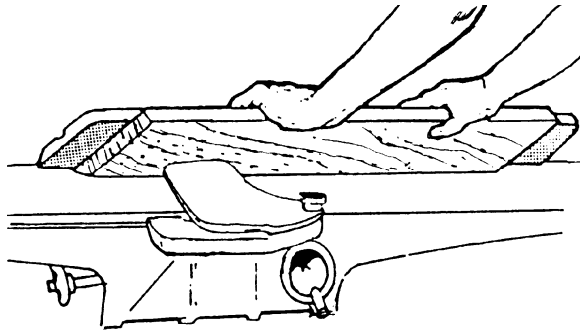


Figura 39

Para biselar:

1. Use una galga de biselado para determinar el ángulo deseado, Luego coloque la guía al mismo ángulo.
2. Inspeccione la solidez y orientación de grano del material (Refiérase a la Dirección del Grano en la Página 23).
3. Coloque la mesa de entrada para un corte aproximado de 1/16.
4. Si la tabla es arqueada (curvada), coloque la parte cóncava para abajo en la mesa de entrada.
5. Alimente el material a través de la cabeza de corte asegurándose que la cara del material esté completamente plana contra la guía y que el borde haga contacto sólido en las mesas de alimentación y de salida (Figura 39).

Para maderas de ancho mayor a 3 pulgadas- sostenga con los dedos juntos cerca de la parte superior del material, solapando sobre la tabla y extendiéndose sobre la guía.

Para maderas de ancho menor a 3 pulgadas- use bloques de empuje biselados y aplique presión contra la guía. Conserve los dedos cerca de la parte superior del bloque de empuje (Figura 40).

Varias pasadas pueden ser necesarias para obtener un biselado completo.

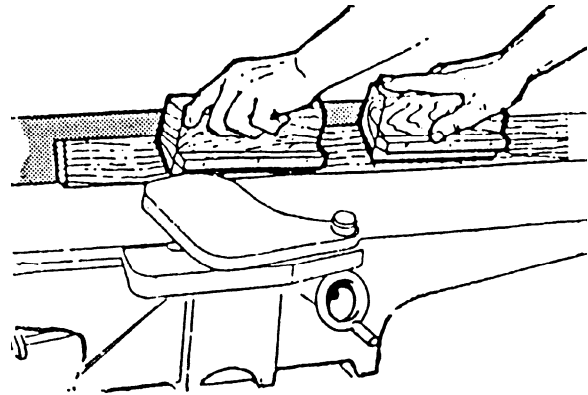


Figura 40

Al biselar el material corto use un bisel para sostener el material para abajo y aplique presión hacia la guía. Conserve el pulgar por encima de la moldura sobre el bloque de sujeción (Fig. 41).

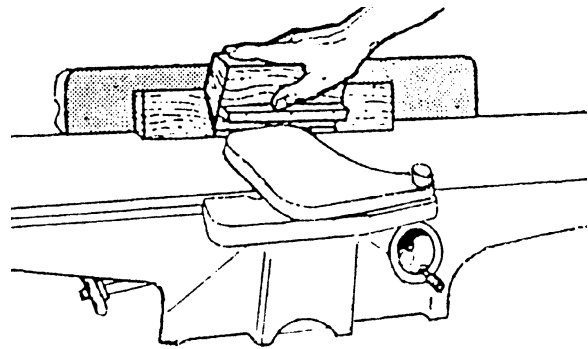


Figura 41

## Sesgado (Cizallado)

Al afilar o cepillar el material tal como un nudo o una cara de ojo de pájaro no es inusual desfigurar o estropear la superficie acabada. Esto es causado por las cuchillas de la cabeza de corte al momento de cortar contra la dirección del grano. De manera a evitar la desfiguración o estropeado de este tipo de madera, es necesario cizallar el material trabajo de manera que se cruce con las cuchillas bajo un cierto ángulo del material trabajado (Vea la Figura 42).

1. Libere la manija de bloque o de la guía y retire las dos tuercas y la arandela sosteniendo la guía al soporte de la guía (Vea la Figura 3 en la página 10) Retire la guía.
2. Retire la chaveta del soporte deslizante de la guía.
3. Reemplace el conjunto guía según la posición del ángulo deseado a lo largo de la cabeza de corte. Asegure la guía al soporte con las tuercas y arandelas planas, luego apriete la manija de bloqueo de la guía.

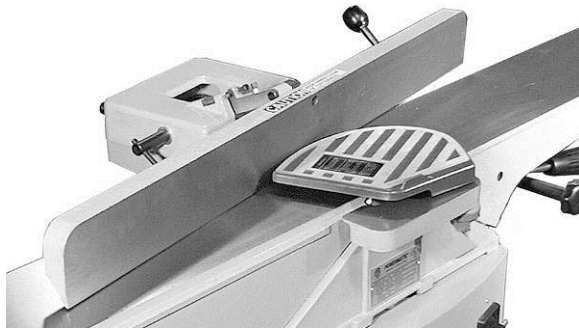


Figura 42

### Acanalado (Para cabeza de corte recto solamente)

**IMPORTANTE :** El rebaje puede ser hecho con un cabezal de cuchilla recta solamente ; no es aplicable con el modelo de cabezal de cuchilla helicoidal.

Un rebaje es un canal cortado a lo largo del borde de la tabla, (Figura 43). Es hecho usualmente para aceptar otra tabla para conformar una unión sencilla y fuerte.

**Note:** La máxima profundidad de rebaje es 1/2".

1. Desconecte la canteadora de la fuente alimentación de energía eléctrica y retire la guarda.
2. Afloje la guía y deslícela en el canto acanalado. Coloque la guía a la anchura deseada del rebaje y bloquéela.
3. Inspeccione la solidez y orientación de grano del material.
4. Coloque el material en la mesa de entrada y la mesa de rebaje con el borde a ser rebajado sostenido firmemente contra la guía.
5. Lenta y uniformemente alimente el material a través de la cabeza de corte.
6. Baje 1/16" por vez la mesa de entrada y realice cortes sucesivos hasta que la profundidad de rebaje deseada sea obtenida.
7. Reinstale la guarda de la cabeza de corte al terminar las operaciones de rebaje.

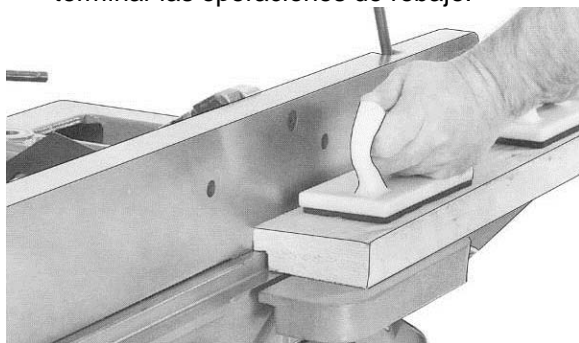
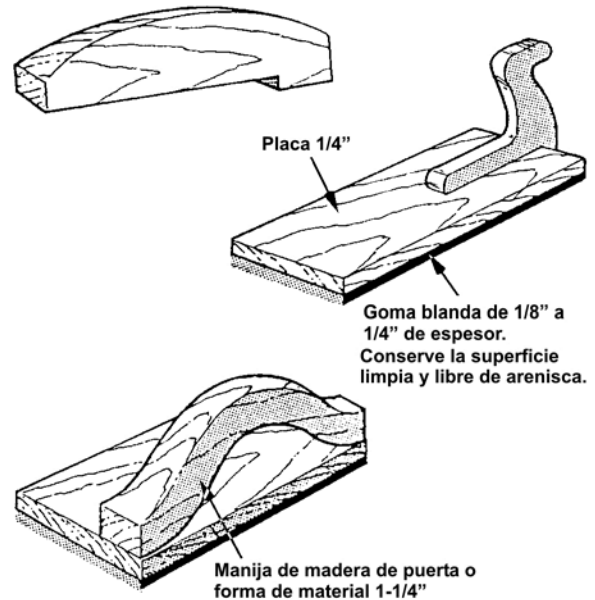


Figura 43

### Bloques de Empuje

Los bloques de empuje son herramientas simples pero necesarias para asistir al operador, especialmente al realizar operaciones de canteado en materiales cortos o finos. En la Fig. 44 se ilustran tres tipos de bloques comúnmente usados en el canteado. Los bloques de empuje pueden ser obtenidos comercialmente o contruidos fácilmente.

**Nota:** La Canteadora 54A es suministrada con dos bloques de empuje para el proceso de los materiales.



Placa 1/4"

Goma blanda de 1/8" a 1/4" de espesor.  
Conserve la superficie limpia y libre de arenisca.

Manija de madera de puerta o forma de material 1-1/4"

Figura 44

## Mantenimiento

### Cuidado de las Cuchillas

**Las hojas de corte son extremadamente filosas! Use extrema precaución para al limpiarlas o cambiarlas. La no observación de esta pauta puede causar serias lesiones!**

Cuando la goma y la resina se juntan sobre las cuchillas, elimínelas cuidadosamente con un solvente fuerte. La no remoción de la goma y resina se pueden acumular causando excesiva fricción, desgaste de las cuchillas y sobrecalentamiento.

Cuando las hojas se desgastan, gírelas para disponer del nuevo filo o sustitúyalas.

### Lubricación

- ❑ Use una grasa suave de buen grado sobre los tornillos de ajuste de acero localizados en los mecanismos de elevación y descenso de las mesas de trabajo.
- ❑ Ocasionalmente, aplique unas cuantas gotas de aceite ligero de máquina en las chavetas dobles de alimentación/salida. Esto permite que las mesas se deslicen libremente.

Los rodamientos de bola de la cabeza de corte vienen lubricadas de por vida y no necesitan cuidados.

## Remoción de la Cabeza de Corte

El conjunto entero de la cabeza de corte debe ser retirado por motivos de limpieza o sustitución de los rodamientos o cuchillas. Algunos carpinteros conservan una cabeza de corte de reserva con las cuchillas de sustitución en caso de que las originales deban ser reparadas.

**⚠ ADVERTENCIA** Las hojas de corte son extremadamente filosas! Use extrema precaución al retirarlas de la cabeza de corte. La no observación de esta pauta puede causar serias lesiones!

Para retirar la cabeza de corte (incluyendo los rodamientos, pasadores y carcasas) de la base de fundición:

En referencia a la Figura 45:

1. Desconecte la máquina de la red de energía eléctrica.
2. Retire la *guarda de la hoja de corte* (A) y el *tornillo* (B).

**⚠ PRECAUCION** Bloquee la manija de bloqueo de la guía de inclinación (D) para evitar lesiones de las partes móviles al mover este conjunto.

3. Retire las dos *tuercas de bloqueo* (G) y arandela (F) asegurando el conjunto guía (C) a la base de la guía de fundición (E)
4. Eleve el conjunto guía (C) de la mesa y sáquelo de allí.
5. Del lado izquierdo de la base, retire el ducto de polvo. De la parte posterior de la máquina, retire la puerta de acceso al panel.

En referencia a la Figura 46:

6. Usando una llave allen de 8 mm, afloje dos tornillos de cabeza hueca por debajo de la base de fundición de la guía (E) que aseguren la fundición a la *mesa* (F). Retire la base de fundición de la guía y sáquela de allí.
7. Retire los cuatro *tornillos* y *arandelas* (A) asegurando la *guarda de la correa* (B). Retire la *guarda de la correa*.

8. Usando una llave de 14 mm, retire los dos tornillos (A, Fig, 47) y las *arandelas de presión* que aseguren las carcasas de los rodamientos de la cabeza de corte a a la base.

**Nota:** Estos tornillos y arandelas de presión son más fácilmente accesibles a través del colector de polvo.

9. Usando una llave allen de 3 mm, afloje los dos tornillos de ajuste que aseguran la polea de la cabeza de corte (D) al eje de la cabeza de corte. No intente retirar la polea con la correa esta vez.

10. Deslice la polea del eje de la cabeza de corte juntamente con lo correa V. Coloque la polea, la chaveta del eje y la correa V a un lado.

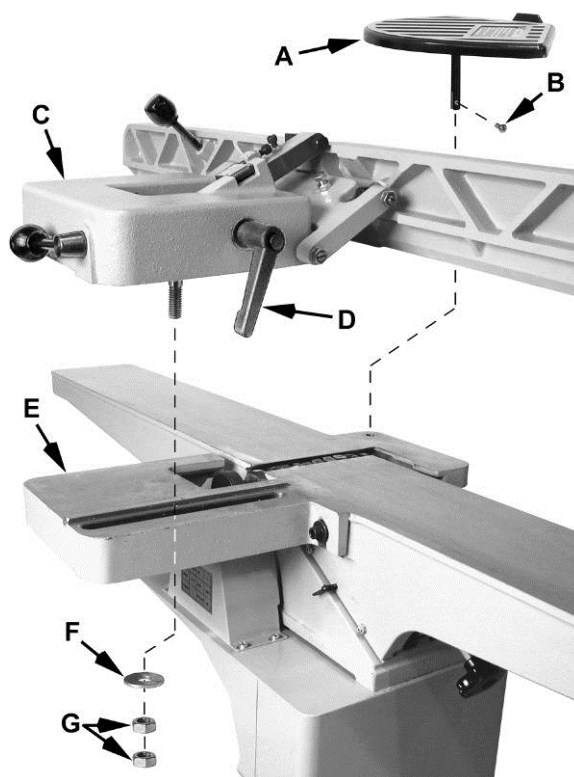


Figura 45

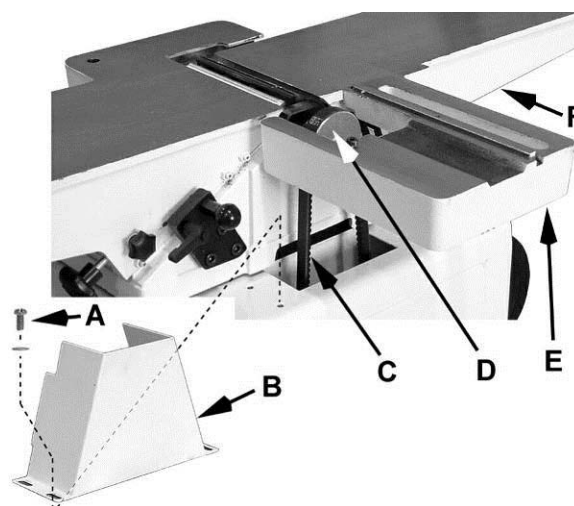


Figura 46

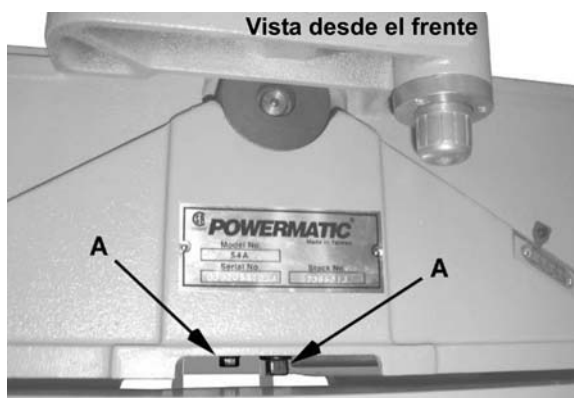


Figura 47

11. Retire cuidadosamente la cabeza de corte (A, Fig. 48).
12. Antes de colocar nuevamente la cabeza de corte en la fundición, limpie íntegramente la "silla" y las carcasas de los cojinetes o el aserrín y la grasa de manera que se apoyen apropiadamente.
13. Para reinstalar la cabeza de corte, realice los pasos en orden inverso.

**Nota:** Al fijar la guía a la base de fundición asegúrese de que se encuentre alineada con la mesa de salida.

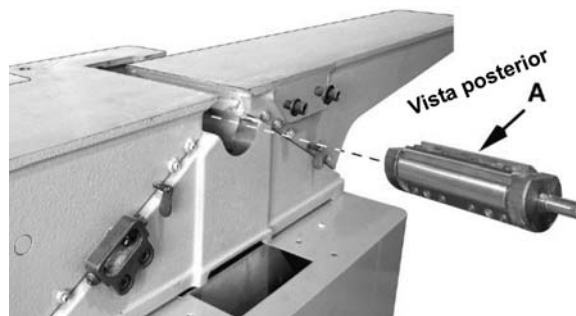


Figura 48

## Diagnóstico de Problemas de Operación

Problema	Causa Probable	Solución
El material terminado es cóncavo en el extremo posterior.	La cuchilla está más elevada que la mesa de salida.	Eleve la mesa de salida hasta que se alinee con la punta de la cuchilla. Vea <i>Ajuste de la Altura de la Mesa de Salida</i> .
El material terminado es cóncavo en el extremo anterior.	La mesa de salida está más elevada que la cuchilla.	Descienda la mesa de salida hasta que se alinee con la cuchilla. Vea <i>Ajuste de la Altura de la Mesa de Salida</i> .
Astillado.	Corte contra el sentido del grano.	Corte según la dirección del grano si le es posible.
	Cuchillas gastadas.	Afile o sustituya las cuchillas.
	Alimentación demasiado rápida del Material de Trabajo.	Use una tasa más lenta de alimentación.
	Corte muy profundo.	Realice cortes más superficiales.
	Nudos, imperfecciones en la madera.	Inspeccione detenidamente la madera por las imperfecciones, use material diferente si es necesario.
Grano Difuso.	Madera con alto contenido de humedad.	Estacione la madera o use otro lote.
	Cuchillas gastadas.	Afile o sustituya las cuchillas. Gire o sustituya las cuchillas intercambiables.
Cabeza de Corte aminora su velocidad durante la operación.	La alimentación del material de trabajo es muy rápida, o se aplica mucha presión al material de trabajo.	Alimentar más lentamente o aplicar menos presión al material de trabajo.
"Estricciones" en el material de trabajo.	Cuchillas colocadas de manera incorrecta.	Coloque las cuchillas apropiadamente usando La Sección de <i>Ajuste de las Cuchillas de la Cabeza de Corte</i> . Verifique que las ranuras de la cuchilla estén limpias y libres de polvos y residuos.
	Alimentación del material de trabajo muy rápida.	Alimentar más lentamente y consistentemente.
Marcas disperejas de cuchillas en el material de trabajo.	Cuchillas o cuchillas intercambiables ranuradas o desalineadas.	Alinee las cuchillas estándares conforme la Sección de <i>Ajuste de las Cuchillas de la Cabeza de Corte</i> . Sustituya las cuchillas ranuradas o debido a hendiduras pequeñas. Vea La Sección de <i>Cuchillas para Rebajados y Molduras</i> .

## Diagnóstico de Problemas Eléctricos y Mecánicos

Problema	Causa Probable	Solución
La máquina no enciende/reenciende o dispara repetidamente el interruptor termomagnético o actúan los fusibles.	No hay alimentación de energía.	Verificar si la unidad se encuentra conectada a la red, el botón de encendido es presionado completamente y el botón de parada está desacoplado.
	El Interruptor de la instalación dispara o el fusible se quema.	Verifique que la canteadora se encuentre montada en el circuito correcto. Si el circuito es correcto, probablemente hay una conexión suelta. Verifique el ajuste de corriente en el motor de arranque.
	Falla de Motor o Llave (Como diferenciar).	Si tiene acceso a un voltímetro, puede distinguir una falla del arranque de la falla del motor, verificando primero la tensión de entrada de 110/220+/-10% y segundo, verificando la tensión entre el arrancador y el motor a 110/220+/-10%. Si la tensión de entrada es incorrecta, entonces tiene un problema de alimentación de energía eléctrica. Si la tensión entre el interruptor y el motor es incorrecta entonces tiene un problema en el interruptor. Si la tensión entre el interruptor y el motor es correcta, entonces el motor tiene problemas.
	Motor sobrecalentado.	Limpie el motor de polvos o residuos para permitir que tenga correcta circulación de aire. Permita que el motor se enfríe antes de intentar nuevamente el arranque.
	Falla del Motor.	Si el motor eléctrico es sospechoso del problema, tiene dos opciones: Haga que un electricista calificado verifique la funcionalidad del motor o retirar el motor y llévelo a un taller especialista en la reparación de motores eléctricos para su prueba.
	Cableado erróneo de la unidad.	Verifique dos veces para confirmar que todas las conexiones eléctricas sean correctas. Refiérase a los <i>Diagramas de Conexión</i> para realizar las correcciones necesarias.
	Falla de la Llave on/off (marcha/parada).	Si la llave de on/off (encendido/apagado) es la sospechosa, entonces tiene dos opciones: Haga que un electricista calificado verifique la funcionalidad de la llave, o adquiera una llave nueva y determine si ese era el problema con el cambio de llave.

### Accesorios Opcionales

2004017 .....Adaptado del Colector de Polvo  
 2042374 .....Base Móvil  
 708801DX .....Cuchillas (juego de 3)  
 1791212 .....Cuchillas Intercambiables  
 (juego de 10)  
 6285991 .....Juego de Accesorios

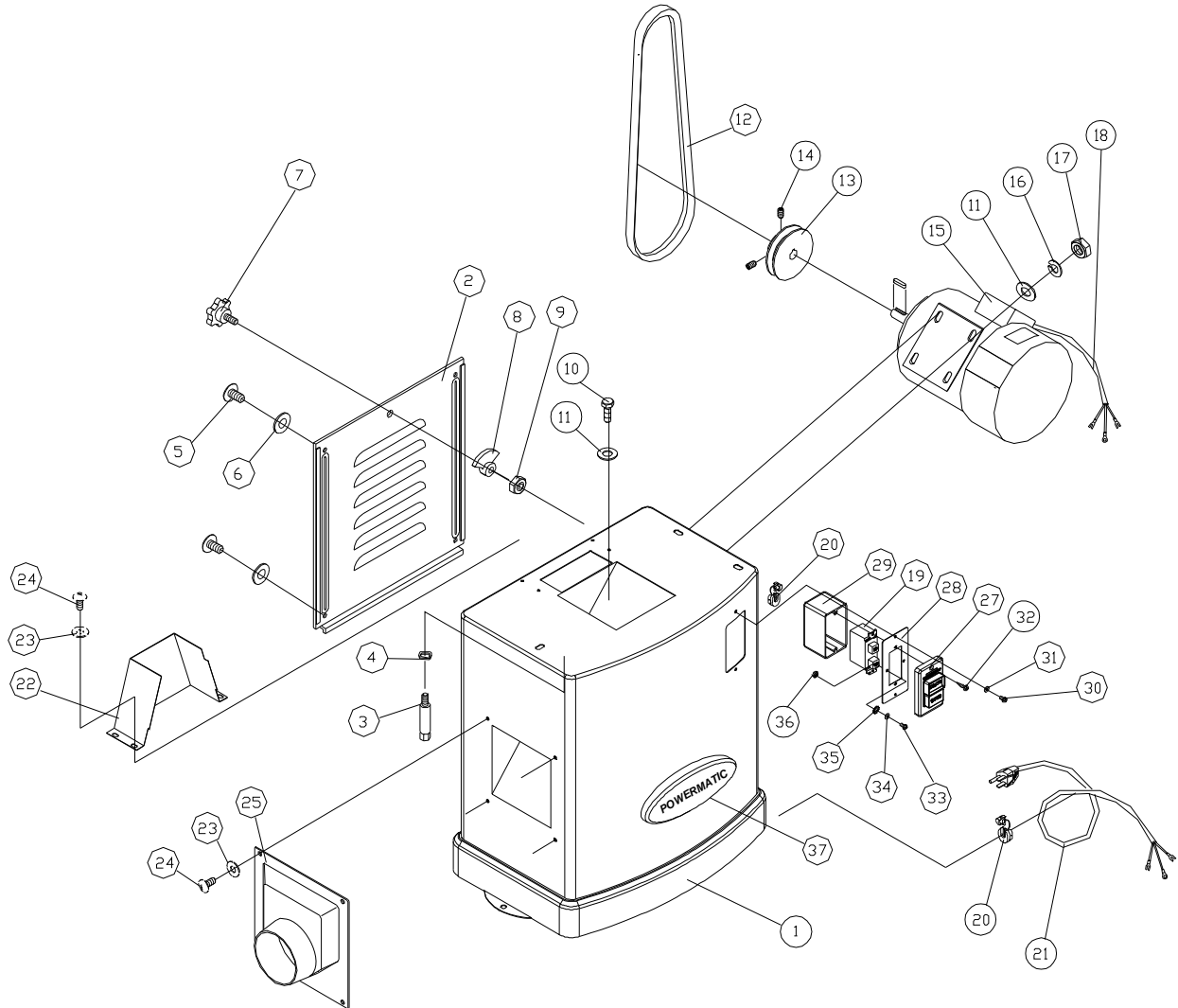
### Lista de Partes

Las partes se listan en las siguientes páginas. Para ordenar los repuestos o contactar con nuestro departamento de servicio, llame al 1-800-274-6848 de Lunes a Viernes (vea nuestra página Web en relación a nuestro horario de atención [www.powermatic.com](http://www.powermatic.com)). Tenga su número de modelo y de serie disponibles al llamarnos, eso nos permitirá ayudarlo rápidamente y con exactitud.

## Base – Lista de Partes (Todos los Modelos)

Nro de Lista	Parte Nro.	Descripción	Tamaño	Cantidad
.....	6296131.....	Conjunto Base.....		1
1.....	6296121.....	Base.....		1
2.....	6285974.....	Puerta.....		1
3.....	6285822.....	Perno de Bloqueo.....		3
4.....	6285852.....	Arandela de Presión.....	3/8 x 5/8.....	3
5.....	6296122.....	Tornillo.....	1/8-40 x 3/8.....	4
6.....	6296123.....	Arandela Plana.....	1/8 x 3/8 x 1/32.....	4
7.....	6285975.....	Pomo atornillable.....		1
8.....	6285976.....	Seguro de la Puerta.....		1
9.....	6285977.....	Tuerca.....	3/8-16.....	1
10.....	6285980.....	Tornillo de Cabeza Hueca.....	5/16-18 x 3/4.....	4
11.....	6285805.....	Arandela Plana.....	5/16 x 3/4 x 1/16.....	8
12.....	6296124.....	Correa V.....		1
13.....	6296125.....	Polea del Motor.....		1
14.....	6285865.....	Tornillo de Ajuste.....	1/4-20 x 1/4.....	2
15.....	6296126.....	Motor.....	1HP, 1PH 115/230V ...	1
16.....	6285988.....	Arandela de Presión.....	5/16 x 5/8.....	4
17.....	6285966.....	Tuerca.....	5/16-18.....	1
18.....	6296127.....	Cable del Motor.....		1
19.....	6296128.....	Interruptor.....		1
20.....	6285963.....	Dispositivo de Alivio de Presión.....	SB7R-1.....	1
21.....	6285962.....	Cable de Alimentación.....		1
22.....	6296129.....	Guarda de la Correa.....		1
23.....	6285909.....	Arandela.....	1/4-20 UNC x 1/2.....	8
24.....	6285910.....	Tornillo de la Manija.....	1/4-20 x 1/2.....	8
25.....	2004017.....	Colector de Polvo.....		1
26.....	6285978.....	Chaveta.....	5 x 5 x 30.....	1
27.....	6296133.....	Interruptor de Botonera.....		1
28.....	6296134.....	Cubierta del Interruptor.....		1
29.....	6296135.....	Caja del Interruptor.....		1
30.....	6296136.....	Tornillo de Cabeza Circular.....	#10-24 x 1/2.....	2
31.....	6296137.....	Arandela.....	3/16 x 1/2 x 1/32.....	2
32.....	6296138.....	Tornillo de Máquina.....	M4 x 1.59P x 38mm.....	2
33.....	6296139.....	Tornillo de Cabeza Circular.....	#8-32 x 5/8.....	2
34.....	6296140.....	Arandela Plana.....	5/32 x 3/8 x 1/32.....	2
35.....	6296141.....	Arandela en estrella.....	BW-4 (5/32 x 3/8).....	2
36.....	6296142.....	Tuerca.....	#8-32.....	1
37.....	3520B-140.....	Placa de Datos.....		1
38.....	6296150.....	Etiqueta de Emergencia.....		1
39.....	PM2700-440.....	Tira ancha(no se muestra).....	comercializado por pie.	
40.....	PM2700-441.....	Tira estrecha (no se muestra).....	comercializado por pie.	

## Base – Montaje (Todos los Modelos)



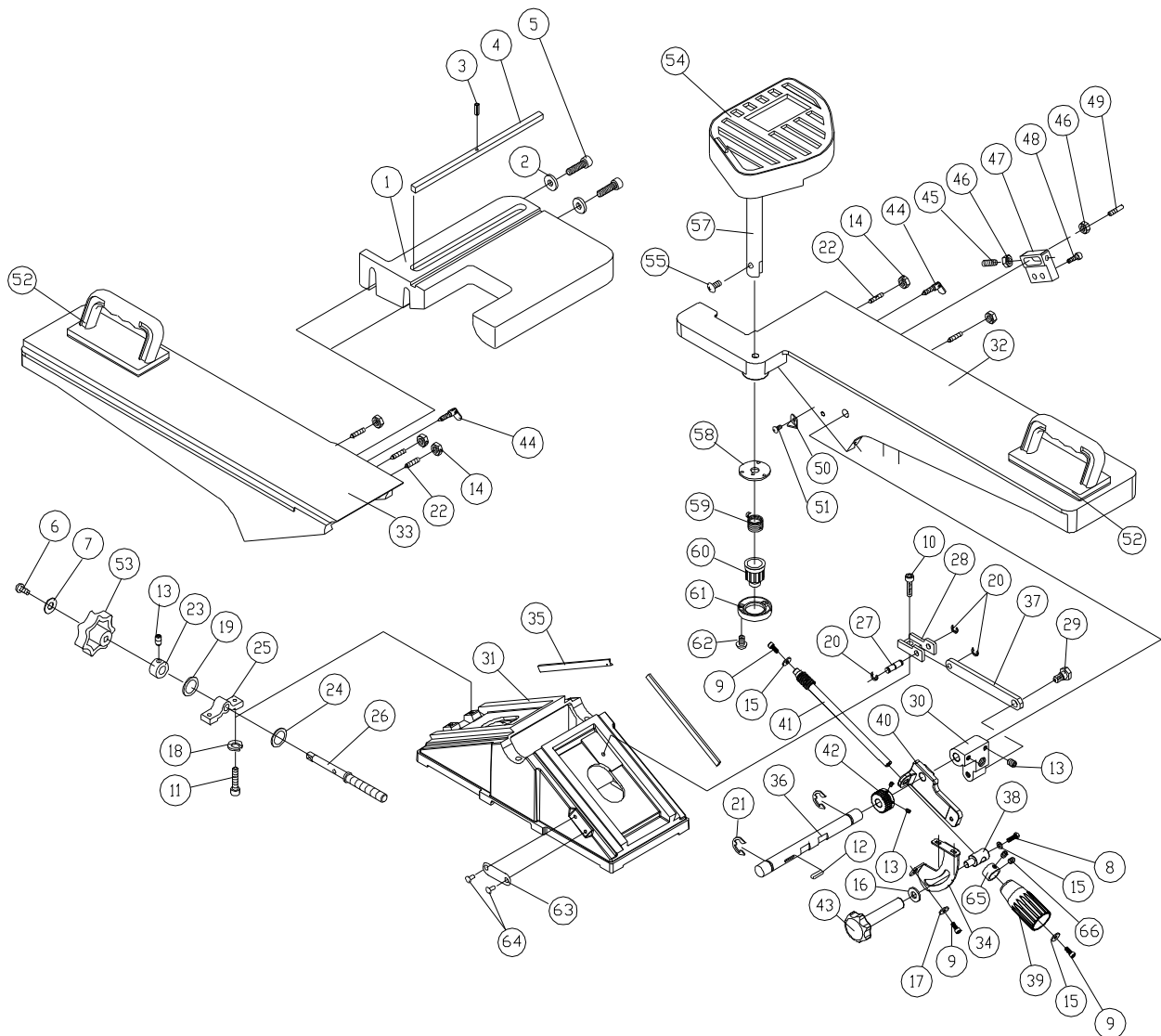
## Plataforma – Lista de Partes (Todos los Modelos)

Nro de Lista	Parte Nro.	Descripción	Tamaño	Cantidad
1.....	6296086.....	Rodillo de Base .....		1
2.....	6296087.....	Arandela.....	3/8 x 1 x 5/32.....	4
3.....	6296088.....	Pasador de Resorte.....	4mm dia. x 14mm Lg..	1
4.....	6296089.....	Chaveta.....	9.5mm x 273 mm.....	1
5.....	6285931.....	Tornillo de Cabeza Hueca .....	3/8-16 x 1-1/2 .....	2
6.....	6285910.....	Tornillo de Manija .....	1/4-20 x 1/2 .....	10
7.....	TS-0680021 .....	Arandela.....	1/4.....	2
8.....	6296091.....	Tornillo de Cabeza Hueca .....	1/4-20 x 3/4 .....	1
9.....	6296092.....	Tornillo de Cabeza Hueca .....	1/4-20 x 1/2 .....	5
10.....	TS-0208041 .....	Tornillo de Cabeza Hueca .....	5/16-18 x 3/4 .....	1
11.....	TS-0208101 .....	Tornillo de Cabeza Hueca .....	5/16-18 x 2.0 .....	2
12.....	6296094.....	Chaveta.....	5mm x 5mm x 20mm ..	1
13.....	6285907.....	Tornillo de Ajuste.....	1/4-20 x 3/8 .....	4
14.....	6285902.....	Tuerca.....	1/4-20.....	5
15.....	6296144.....	Arandela Plana.....	1/4 x 1/2 x 1/32.....	3
16.....	6296066.....	Arandela Plana.....	13mm x 28mm x 3mm	1
17.....	6296095.....	Arandela de Presión .....	6.5mm x 12.8mm.....	3
18.....	6285911.....	Arandela de Presión .....	8.2mm x 15.4mm.....	2
19.....	6296096.....	Arandela Ondulada.....	12.6mm x 16.8mm .....	1
20.....	6296015.....	Anillo Retén.....	ETW-6.....	3
21.....	6296022.....	Anillo Retén.....	ETW-12.....	2
22.....	6285901.....	Tornillo de Ajuste.....	1/4-20 NC x 1 .....	5
23.....	6285906.....	Collarín.....		1
24.....	6285904.....	Arandela.....		1
25.....	6285905.....	Soporte .....		1
26.....	6285903.....	Tornillo de Ajuste.....		1
27.....	6296097.....	Eje.....		1
28.....	6296098.....	Soporte de Bloqueo.....		1
29.....	6296099.....	Perno .....		1
30.....	6296100.....	Soporte .....		1
31.....	6296101.....	Base.....		1
32.....	6296102.....	Mesa Anterior .....		1
33.....	6296103.....	Mesa Posterior .....		1
34.....	6296104.....	Placa.....		1
35.....	6296105.....	Chaveta Doble.....		2
36.....	6296106.....	Eje.....		1
37.....	6296107.....	Placa.....		1
38.....	6296108.....	Placa de Cierre.....		1
39.....	6296109.....	Manija .....		1
40.....	6296110.....	Base de Ajuste .....		1
41.....	6296111.....	Eje sinfin .....		1
42.....	6296112.....	Sinfin.....		1
43.....	6296113.....	Tuerca.....		1
44.....	6285900.....	Tornillo.....		2
45.....	6296060.....	Tornillo de Ajuste.....	5/16-18 x 3/4 .....	2
46.....	6285966.....	Tuerca.....	5/16-18.....	3
47.....	6296114.....	Bloque de Posición.....		1
48.....	6296014.....	Tornillo de Cabeza Hueca .....	5/16-18 x 3/4 .....	2
49.....	6296115.....	Pasador.....		1
50.....	6296116.....	Puntero .....		1
51.....	6296117.....	Tornillo de Cabeza Circular .....	5/32-32 x 1/4 .....	1
52.....	6285917.....	Bloque de Empuje .....		2
53.....	6285908.....	Volante.....		1
54.....	6296145.....	Guarda de la Cabeza de Corte .....		1
55.....	TS-1533032.....	Tornillo de Cabeza Circular .....	M5 x 10mm .....	1
57.....	6285892.....	Eje de la Guarda .....		1



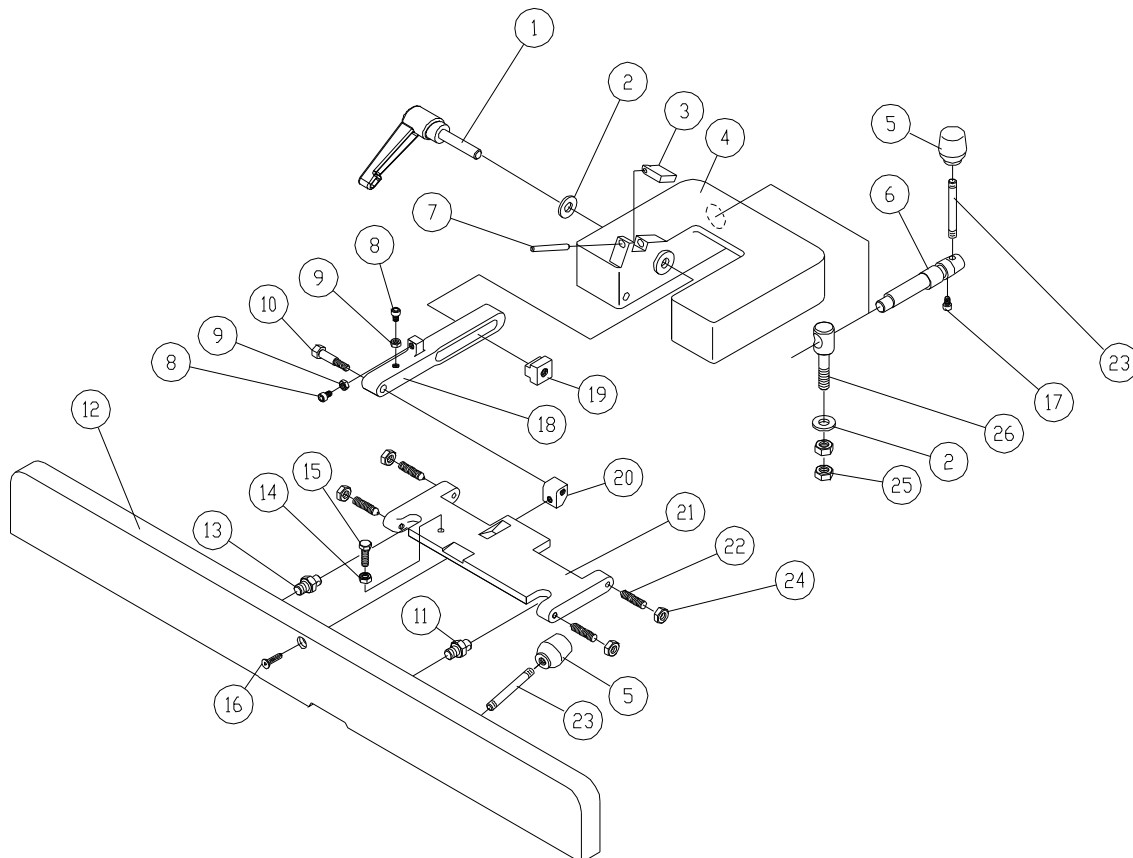
## Plataforma – Lista de Partes (Todos los Modelos)

Nro de Lista	Parte Nro.	Descripción	Tamaño	Cantidad
58.....	6285893.....	Arandela.....		1
59.....	6285894.....	Resorte .....		1
60.....	6285895.....	Pomo .....		1
61.....	6285896.....	Retén .....		1
62.....	6285897.....	Tornillo .....	5/32-32 x 5/8 .....	3
63.....	6296147.....	Escala de Profundidad.....		1
64.....	6296148.....	Remache.....		2
65.....	6296151.....	Collarín.....		1
66.....	6296152.....	Tornillo de Ajuste.....	1/4-20 UNC x 1/4.....	2



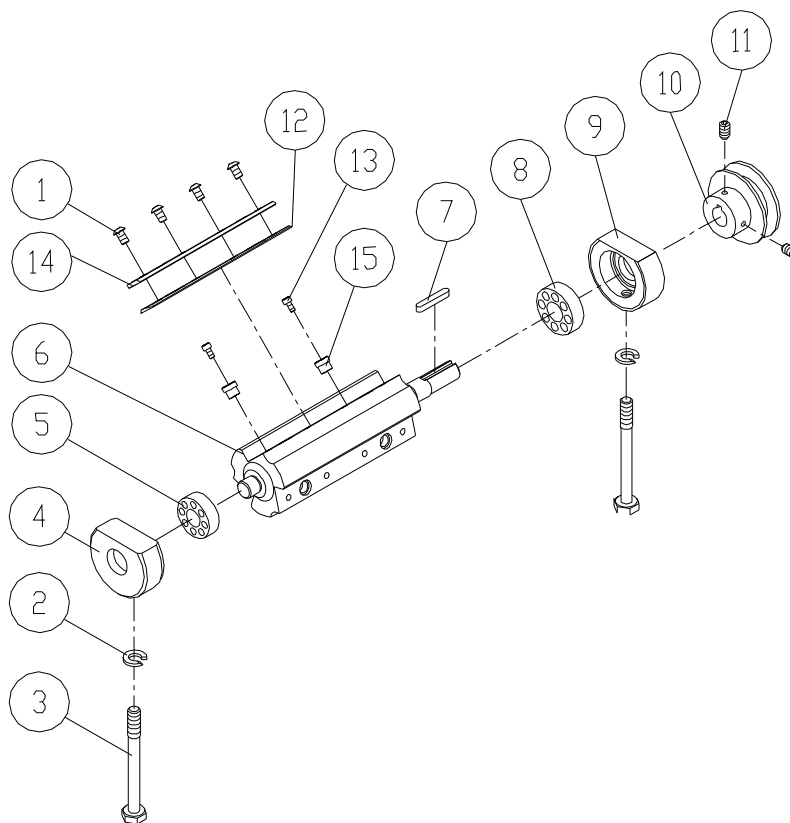
## Guía – Lista de Partes y Conjunto (Todos los Modelos)

Nro de Lista	Parte Nro.	Descripción	Tamaño	Cantidad
.....	6296130.....	Conjunto Guía.....		1
1.....	6296143.....	Perno de Bloqueo.....		1
2.....	6296066.....	Arandela Plana.....	13mm x 28mm x 3mm	2
3.....	6296067.....	Bloque de Tope.....		1
4.....	6296068.....	Soporte de Guía.....		1
5.....	6285945.....	Pomo.....		2
6.....	6296069.....	Eje de Bloqueo.....		1
7.....	6296070.....	Pasador.....	Ø5mm x 50mm	1
8.....	6296071.....	Tornillo Hueco.....	1/4-20 x 1-1/4	2
9.....	6296072.....	Tuerca.....	1/4-20	2
10.....	6296073.....	Tornillo.....		1
11.....	TS-0561052.....	Tuerca.....	1/2-20	2
12.....	6296075.....	Conjunto Guía.....		1
13.....	6285940.....	Espárrago pivote.....		2
14.....	6285966.....	Tuerca.....	5/16-18	1
15.....	6296077.....	Tornillo de Cabeza Hexagonal.....	5/16-18 x 1-1/4	1
16.....	6296078.....	Tornillo de Cabeza Hexagonal.....	5/16-18 x 1-1/2	1
18.....	6296080.....	Eslabón de Bloqueo.....		1
19.....	6296081.....	Tuerca.....		1
20.....	6285947.....	Bloque Fijo.....		1
21.....	6296082.....	Eslabón de la Guía.....		1
22.....	6285942.....	Tornillo de Cabeza Cónica.....		4
23.....	6285944.....	Pasador de la Manija.....		2
24.....	6285943.....	Tuerca.....	3/8-16	4
25.....	6296083.....	Tuerca.....	1/2-12NC	2
26.....	6296084.....	Perno.....		1
27.....	6296085.....	Tornillo Hueco.....	1/4-20 x 1/2	1



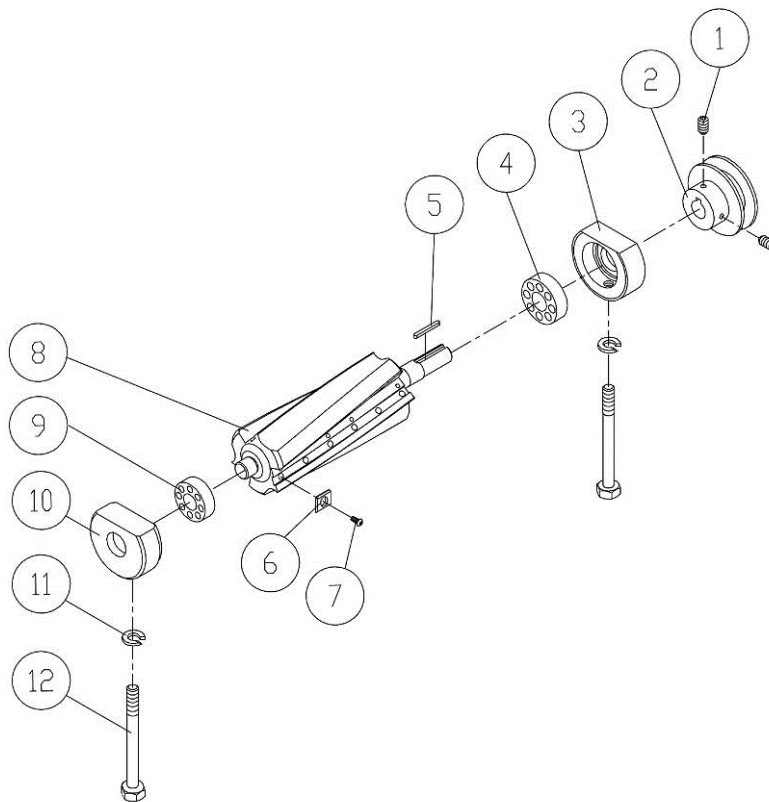
## Cabeza de Corte – Partes y Conjunto (modelo 54A solamente)

Nro de Lista	Parte Nro.	Descripción	Tamaño	Cantidad
.....	JJ6CSDX-CA	Conjunto de la Cabeza de Corte(Índice #s 1-15)		1
1.....	JJ6CSDX-101	Tornillo de Cabeza Hueca de Botón Especial		12
2.....	TS-0720091	Arandela de Presión	3/8"	2
3.....	JEA-B01	Perno		2
4.....	3H-C02	Carcasa del Rodamiento		1
5.....	BB-6202ZZ	Rodamiento de Bolas	6202ZZ	1
6.....	JJ6CSDX-106	Cabeza de Corte		1
7.....	5F-G108	Chaveta	5x5x25	1
8.....	BB-6203ZZ	Rodamiento de Bolas	6203ZZ	1
9.....	JH-C04	Carcasa del Rodamiento		1
10.....	JH-C07	Polea de la Cabeza de Corte		1
11.....	TS-0267041	Tornillo de Ajuste de Cabeza Hueca	1/4"-20x3/8"	2
12.....	708801DX	Cuchilla JJ-6CSDX (juego de 3)		1
13.....	TS-1501021	Tornillo de Cabeza Hueca	M4x8	6
14.....	JJ6CSDX-114	Barra de Cuchilla de Bloqueo		3
15.....	JJ6CSDX-115	Tuerca de Ajuste		6



## Cabeza de Corte – Partes y Conjunto (modelo 54HH solamente)

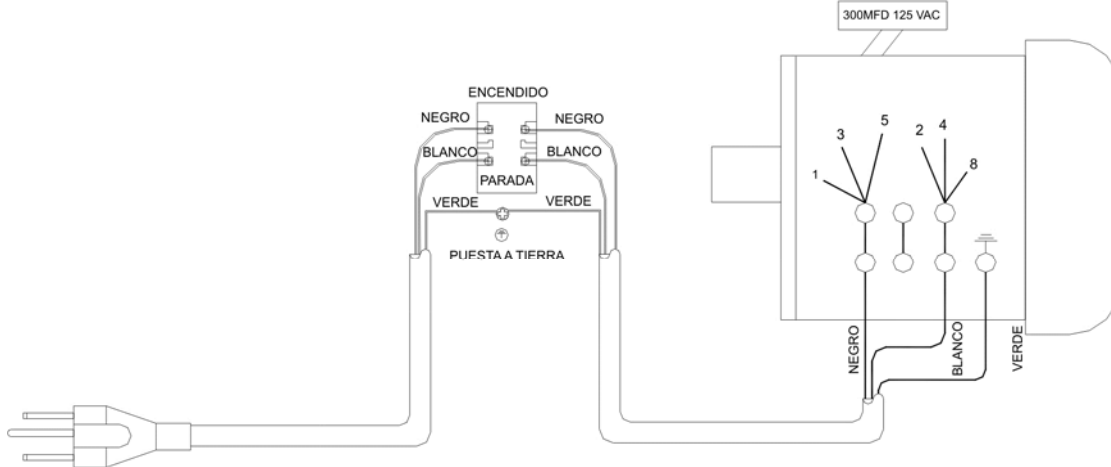
Nro de Lista	Parte Nro.	Descripción	Tamaño	Cantidad
.....	PM54HH-CA	Conjunto de la Cabeza de Corte (Índice # 1-12)		1
1.....	TS-0267041	Tornillo de Ajuste de Cabeza Hueca	1/4"-20x3/8	2
2.....	JH-C07	Polea de la Cabeza de Corte		1
3.....	JH-C04	Carcasa del Rodamiento		1
4.....	BB-6203VV	Rodamiento de Bolas	6203VV	1
5.....	5F-G108	Chaveta	5x5x25	1
.....	1791221-6	Unidad de Helicoidal p/Cabeza de Corte (Índice # 6 al 8)		1
6.....	1791212	Cuchilla Intercambiable (juego de 10)		total 40
7.....	JWP208HH-111	Tornillo de Cuchilla Intercambiable	#10-32x1/2	40
8.....	PM54HH-108	Cabeza de Corte Helicoidal		1
9.....	BB-6202VV	Rodamiento de Bolas	6202VV	1
10.....	3H-C02	Carcasa del Rodamiento		1
11.....	TS-0720091	Arandela de Presión	3/8"	2
12.....	JEA-B01	Tornillo de Cabeza Hex	3/8"-24x3-1/2"	2
13.....	JJ6HH-113	Destornillador de Punto Estrella (no se muestra)		2



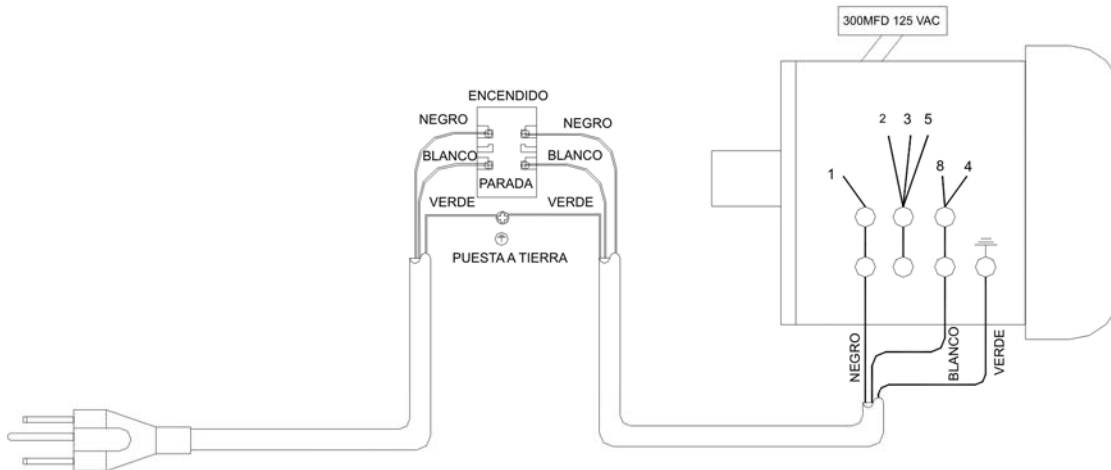
# Diagramas de Cableado

Diagrama de Cableado – Nro de Serie # 05060540312 y menores

## CONEXIONADO ELÉCTRICO - 115V

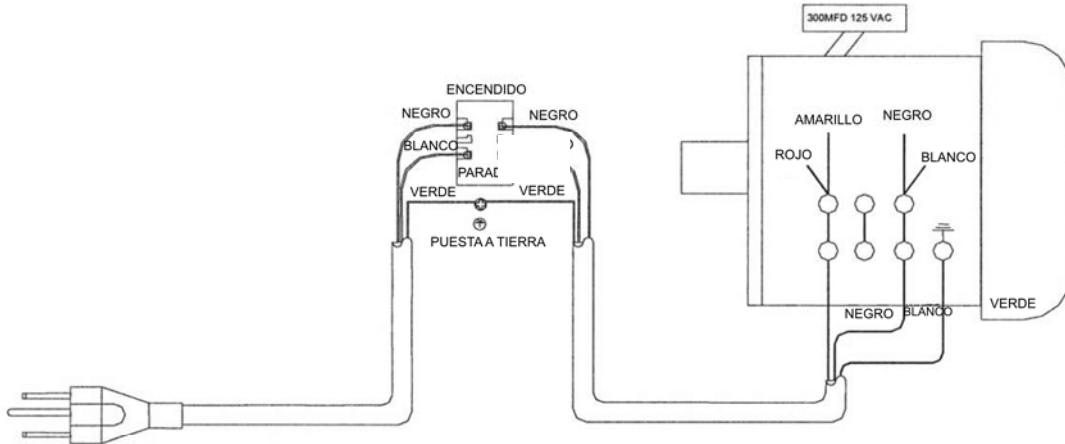


## CONEXIONADO ELÉCTRICO - 230V

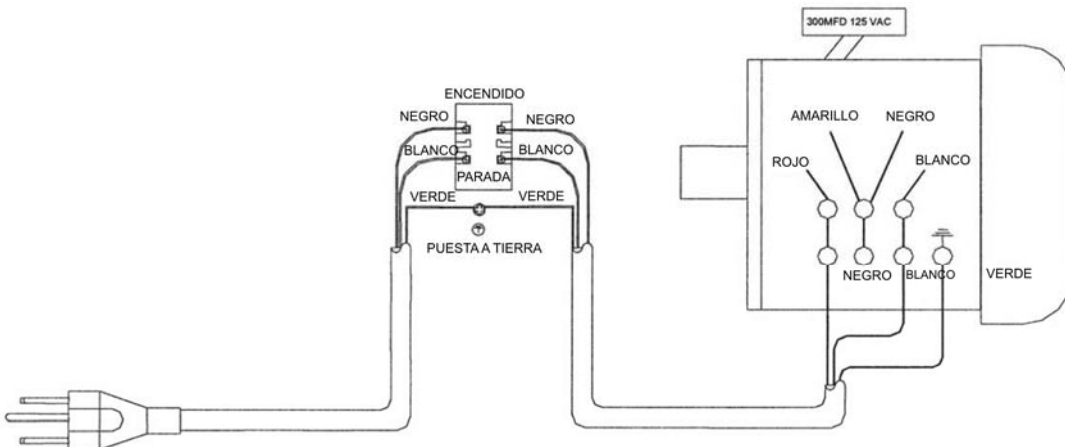


Nro de Serie # 05060540312 y menores

## CONEXIONADO ELÉCTRICO - 115V



## CONEXIONADO ELÉCTRICO - 230V







427 New Sanford Road  
LaVergne, Tennessee 37086  
Teléf: 800-274-6848  
[www.powermatic.com](http://www.powermatic.com)



# POWERMATIC®

Instructions relatives à l'utilisation et manuel des  
pièces détachées

## Dégauchisseuse de menuiserie six pouces

Modèles 54Aet 54HH



54A (1791279DXK), numéro de série # 8040543557 et ultérieur  
54HH (1791317K), numéro de série # 8010540313 et ultérieur



**Powermatic**  
427 New Sanford Road  
LaVergne, Tennessee 37086  
Ph.: 800-274-6848  
[www.powermatic.com](http://www.powermatic.com)

**Pièce N° M-1791279DX**  
Révision C2 04/2014  
Copyright © 2014 Powermatic

## Garantie et entretien

Powermatic garantit tous les produits qu'ils vendent contre les défauts de fabrication. Si l'un de nos outils nécessite un entretien ou des réparations, veuillez contactez le Service technique en appelant le 1-800-274-6846, 8AM à 5PM CST, du lundi au vendredi.

### Période de garantie

La garantie générale dépend de la durée indiquée dans les brochures incluse avec votre produit ou sur le site officiel de la marque Powermatic.

- Les produits Powermatic ont une garantie limitée qui varie en fonction du produit. (Voir le tableau ci-dessous.)
- Accessoires comportent une garantie limitée d'un an à partir de la date de réception.
- Les pièces d'usure sont définies comme des pièces ou des accessoires prévus pour devenir inutilisable dans un délai raisonnable de l'utilisation durables et sont couverts par une garantie limitée de 90 jours contre les défauts de fabrication.

### Qui est ce qui est Couvert

Cette garantie ne couvre que le premier acheteur du produit de la date de livraison.

### Qu'est ce qui est Couvert

Cette garantie couvre tous les défauts de fabrication ou les matériaux, sous réserve des limitations indiquées ci-dessous. Cette garantie ne couvre pas les pannes causées directement ou indirectement par la mauvaise utilisation, la manipulation, la négligence ou les accidents, la dégradation personnelle, la mauvaise réparation, les altérations ou le manque d'entretien.

### Limites de garantie

Les produits servant à des fins commerciales, industrielles ou éducatives bénéficient plutôt d'un an de garantie. S'il vous plaît contacter le service technique au 1-800-274-6846 pour de plus amples précisions.

### Comment Obtenir un Support Technique

S'il vous plaît contacter le service technique en appelant 1-800-274-6846. S'il vous plaît noter que vous serez invité à fournir la preuve de l'achat initial lors de l'appel. Si un produit nécessite une inspection plus poussée, le représentant de service technique vous expliquera et vous aider à toute mesure supplémentaire nécessaire. Powermatic dispose de centres de service autorisés répartis à travers les États-Unis. Pour obtenir le nom du centre d'entretien agréé de votre région, appelez le 1-800-274-6846 ou utilisez le localisateur de centre de Service sur le site Web de Powermatic.

### Plus d'informations

Powermatic ajoute constamment de nouveaux produits. Pour obtenir des informations complètes et actuelles, contactez le fournisseur de votre localité, ou visitez le Powermatic officiel marque site web.

### Réglementation en Vigueur

Cette garantie vous donne des droits légaux spécifiques, sous réserve de la législation applicable de l'État.

### Limites de la Garantie

POWERMATIC LIMITE TOUTES LES GARANTIES IMPLICITES À LA PÉRIODE DE LA GARANTIE LIMITE DE CHAQUE PRODUIT. TOUTES GARANTIES TACITES OU CONCERNANT L'ADAPTATION À LA COMMERCIALISATION OU L'UTILISATION À UN USAGE PARTICULIER SONT EXCLUES. CERTAINS ÉTATS NE PERMETTENT PAS DE LIMITES SUR LA DURÉE DE LA GARANTIE IMPLICITE, LA LIMITATION CI-DESSUS POURRAIT PAR CONSÉQUENT NE PAS VOUS CONCERNER.

POWERMATIC N'EST EN AUCUN CAS RESPONSABLE DE LA MORT, DES BLESSURES CORPORELLES OU DES DÉGÂTS MATÉRIELS MINEURS, CONTINGENTS, SPÉCIAUX, OU MAJEURS PROVOQUÉS PAR L'UTILISATION DE NOS PRODUITS. CERTAINS ÉTATS N'AUTORISENT PAS DE LIMITATIONS AU SUJET DES DOMMAGES CONSÉCUTIFS. PAR CONSÉQUENT, LES LIMITATIONS CI-DESSUS POURRAIENT NE PAS S'APPLIQUER À VOUS.

Powermatic vend ses produits à travers les fournisseurs ne. Les spécifications mentionnées dans le Powermatic documents imprimés et sur Powermatic officielle sites de marque sont donnés à titre d'information générale et ne sont pas contraignantes. Powermatic se réserve le droit de destruction en tout temps, sans avis préalable, des pièces, des installations et des équipements accessoires qu'ils jugeraient nécessaire pour quelle que raison.

### Liste des produits de la période de garantie

90 jours – Pièces; Les pièces d'usure
1 An – Motors; Accessoires de machines;
2 An – Machines à bois utilisé à des fins industrielles ou commerciales
5 An – Machines à bois

NOTE: Powermatic est une division de JPW Industries, Inc.. Référence dans le présent document à Powermatic s'appliquent également aux JPW Industries, Inc., ou de ses ayants droit pour les marques Powermatic.

# Table des matières

Garantie et entretien.....	2
Table des matières.....	3
Avertissements.....	4
Déballage.....	8
Contenu à l'expédition .....	8
Assemblage .....	9
Déballage et nettoyage.....	9
Montage du lit sur le support .....	9
Montage du guide sur le lit.....	10
Montage de la courroie d'entraînement.....	10
Montage du couvercle de la poulie .....	11
Montage de la protection de la tête de la découpeuse.....	11
Montage de la porte d'accès et de la chute de poussière .....	11
Circuit électrique.....	12
Instructions relatives à la mise à la masse .....	12
Fonctionnement sous 115 volts .....	12
Fonctionnement sous 230 volts .....	12
Réglages.....	13
Déplacement de la protection .....	13
Réglages d'arrêt du guide.....	14
Réglage de la hauteur de la table d'entrée.....	15
Limiteur de déplacement de la table d'entrée.....	15
Réglage du verrou de la porte .....	16
Réglage de la hauteur de la table de sortie.....	16
Réglage du couteau de la tête de la découpeuse (Modèle 54A uniquement).....	17
Remplacement des couteaux (Modèle 54A uniquement) .....	19
Réglage des couteaux pour le refeuillement et des encoches (Modèle 54A uniquement) .....	20
Remplacement ou rotation des coupe-paraisons (modèle 54HH uniquement).....	20
Définition de la hauteur appropriée de la table .....	21
Installation de la main.....	23
Sens du grain.....	23
Ponçage de surface .....	24
Assemblage .....	24
Biseautage.....	25
Décalage (découpe au ciseau) .....	25
Coupes de rainure.....	26
Cales de poussée.....	26
Entretien de la lame .....	26
Dépose de la tête de la découpeuse.....	27
Accessoires en option.....	29
Pièces de rechange.....	29
Support – liste de pièces (Tous les modèles).....	30
Support – dispositif (Tous les modèles) .....	31
Lit – liste de pièces (Tous les modèles) .....	32
Guide– liste de pièces et dispositif (Tous les modèles) .....	34
Tête de la découpeuse – pièces et dispositif (modèle 54A uniquement).....	35
Tête de la découpeuse – pièces et dispositif (modèle 54A uniquement).....	36
Schémas de circuit électrique .....	37
Schéma de circuit électrique – série # 05060540312 et inférieur .....	37
Schéma de circuit électrique – série # 05060540313 et supérieur .....	38



# Avertissement

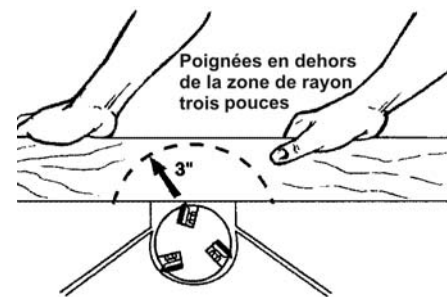
1. Lire en entier et bien comprendre le Manuel d'utilisation avant de tenter l'assemblage ou l'utilisation.
2. Lire et comprendre les avertissements apposés sur l'équipement et présentés le Manuel. Ignorer ces avertissements peut résulter en des blessures graves.
3. Remplacer les étiquettes d'avertissements si elles deviennent illisibles ou endommagées.
4. Cette scie circulaire à table est conçue et destinée uniquement à une utilisation par du personnel bien formé et expérimenté. Si vous n'êtes pas familier avec le fonctionnement normal et sécuritaire d'une scie, ne pas l'utiliser avant qu'une formation et une connaissance adéquates aient été acquises.
5. Ne pas utiliser cette scie à des fins autres que celles pour lesquelles elle a été conçue. Si elle est utilisée à d'autres fins, Powermatic décline toute garantie réelle ou implicite et se dégage de toute responsabilité des blessures personnelles pouvant résulter de cette utilisation.
6. Toujours porter des lunettes/écrans faciaux de sécurité homologués lors de l'utilisation de cette scie. Les lunettes ordinaires ne sont résistantes qu'aux chocs; elles ne sont pas des lunettes de sécurité.
7. Avant d'utiliser cette scie, retirer cravate, bagues, montre et autres bijoux et rouler les manches au-dessus des coudes. Retirer tout vêtement lâche et couvrir les cheveux longs. Des chaussures antidérapantes et des bandes antipatinage sont recommandées. **Ne jamais** porter de gants.
8. Porter des protecteurs d'oreilles (bouchons ou coquilles) lors des longues périodes d'utilisation.
9. Certaines poussières générées lors du sablage, sciage, meulage, perçage et autres activités de la construction contiennent des agents chimiques reconnus pour causer le cancer, des anomalies congénitales et affecter négativement le système de reproduction. Certains exemples de ces agents chimiques sont :
  - Le plomb dans la peinture à base de plomb.
  - La silice cristallisée provenant des briques, du ciment et autres produits de maçonnerie.
  - L'arsenic et le chrome provenant du bois traité chimiquement.

Le risque d'exposition varie selon la fréquence à laquelle vous effectuer ce genre de travail. Pour réduire l'exposition à ces agents chimiques, travailler dans un endroit bien aéré et utiliser de l'équipement de sécurité homologué comme les masques faciaux et les masques antipoussières qui sont spécifiquement conçus pour filtrer les particules microscopiques.
10. Ne pas utiliser cet équipement lorsque fatigué ou sous l'influence de drogues, d'alcool ou de médicaments.
11. Assurez-vous que le commutateur est sur **OFF (désactivé)** avant de connecter la machine à la source d'alimentation.
12. S'assurer que l'équipement est branché correctement à la masse.
13. Toujours débrancher l'équipement du secteur avant de procéder à tout ajustement ou entretien. Un équipement en réparation devrait toujours être ETIQUETE EN ROUGE pour indiquer qu'il ne doit pas être utilisé avant que l'entretien soit complété.
14. Retirer toutes les clés de réglage et les outils. Développer l'habitude de toujours vérifier que les clés de réglage et les outils sont retirés de l'équipement avant d'y appliquer l'alimentation.
15. Maintenir les dispositifs de sécurité en place en tout temps lors de l'utilisation de l'équipement. S'ils sont retirés à des fins d'entretien, être extrêmement prudent et les remettre en place immédiatement à la fin de la maintenance.
16. Assurez-vous que la dégauchisseuse est fermement maintenue contre le support ou un banc avant utilisation.
17. Inspecter l'équipement pour découvrir les pièces défectueuses. Avant réutiliser l'équipement, tout dispositif de sécurité défectueux ou autre pièce endommagée devrait être vérifié pour déterminer qu'il fonctionnera correctement et remplira la fonction prévue. Vérifier l'alignement et le grippage des pièces mobiles, le bris de pièces ou des fixations et toute autre condition pouvant affecter son fonctionnement. Tout dispositif de sécurité ou autre pièce endommagée devrait être réparé correctement ou remplacé.
18. Assurer un espace adéquat autour de l'équipement et un éclairage non éblouissant au plafond.
19. Maintenir le plancher autour de la scie propre et libre des déchets de découpe, d'huile et de graisse.



# Avertissement

20. Garder les visiteurs à une distance sécuritaire de la zone de travail. Éloigner les enfants.
21. Rendre l'atelier à l'épreuve des enfants au moyen de cadenas, d'interrupteurs principaux ou en retirant les clés de sécurité.
22. Porter attention uniquement au travail en cours. Regarder partout, tenir une conversation et « faire l'imbécile » sont des actes imprudents pouvant résulter en des blessures graves.
23. Maintenir une posture équilibrée en tout temps pour ne pas tomber ou s'incliner sur la scie ou autres pièces mobiles. Ne jamais tenter d'atteindre ce qui est hors portée ou utiliser une force excessive lors des opérations avec la scie.
24. Utiliser le bon outil à la bonne vitesse d'alimentation. Ne jamais forcer un outil ou un accessoire pour effectuer une tâche pour laquelle il n'est pas conçu. Le bon outil effectue mieux la tâche de façon plus sécuritaire.
25. Utiliser les accessoires recommandés. Les accessoires inappropriés peuvent être dangereux.
26. Entretenir les outils avec soin. Maintenir les lames aiguisées et propres pour une meilleure performance en sécurité. Suivre les directives couvrant la lubrification et le remplacement des accessoires.
27. Couper le courant de l'équipement avant le nettoyage. Utiliser une brosse ou de l'air comprimé pour enlever copeaux et débris - ne pas se servir de ses mains.
28. Ne pas monter sur l'équipement. Des blessures graves peuvent survenir si l'équipement bascule.
29. Avant de mettre la machine sous tension, éloignez tous les équipements extra tels que les clés, les tourne-à-gauche, les fragments, les billes et les torchons de nettoyage de la machine.
30. Ne laissez jamais la machine fonctionner sans surveillance. Coupez l'alimentation et ne quittez la machine que lorsque la tête de la découpeuse est à l'arrêt total.
31. Utilisez toujours une cale de maintien ou de poussée lors du ponçage de surface d'une bille d'une longueur inférieure à 12" pouces ou d'une largeur de 3" pouces ou d'une épaisseur 3 pouces.
32. N'effectuez pas d'opérations d'assemblage sur des matériaux dont la longueur est inférieure à 8", dont l'épaisseur est inférieure à 3/4" ou ayant une épaisseur inférieure à 1/4".
33. Les mains ne doivent jamais se trouver à plus de 3 pouces de la tête de la découpeuse (voir la figure de droite).
34. N'appliquez jamais la pression sur la bille directement sur la tête de la découpeuse. Cette action peut faire tomber la bille dans la tête de la découpeuse ainsi que les doigts de l'opérateur. Placez vos mains loin des pointes de la bille et poussez vers l'avant en un mouvement lent et équilibré. Ne ramenez jamais un objet que vous travaillez vers la table d'entrée.
35. N'effectuez jamais de coupe d'une profondeur de plus de 1/2" lors du refeuillement. Sur d'autres coupes telles que le délignage, le ponçage de surface, etc., la profondeur de coupe ne doit pas être supérieure à 1/8" afin d'éviter de surcharger la machine et de réduire les chances de recul.
36. Pour éviter le recul, le grain doit fonctionner dans le même sens que celui de la coupe. Avant d'essayer d'assembler ou de raboter, chaque morceau doit être examiné avec attention afin de vérifier l'état de la bille et l'orientation du grain.
37. Lorsque vous travaillez avec un bois au grain ondoyant ou ayant des ronces, qui vous obligent à raboter contre le grain, utilisez une profondeur de coupe plus petite et une vitesse d'alimentation lente.
38. Déplacez vos mains alternativement de l'avant vers l'arrière au fur et à mesure que le travail continue sur la coupe. Ne passez jamais directement vos mains sur les couteaux de coupe. Lorsqu'une main approche les couteaux, retirez-la de la bille dans un mouvement en arc et placez-la sur la bille au dessus des couteaux de coupe.
39. Maintenez toujours fermement la bille.



Familiarisez-vous avec les notices de sécurité suivantes utilisées dans ce manuel :

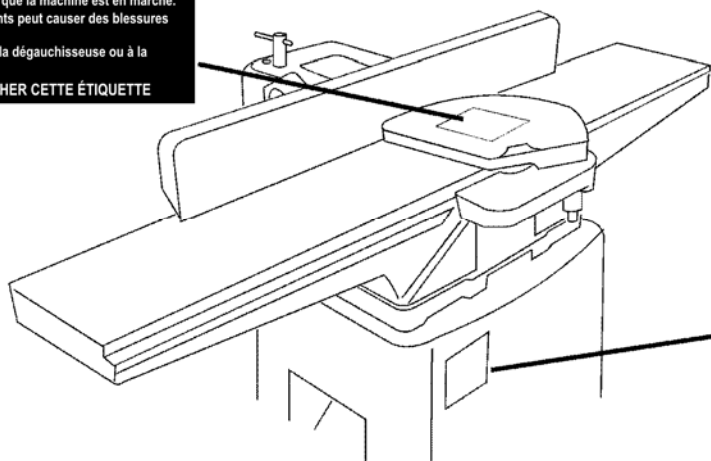
**ATTENTION** Indique que si des précautions ne sont pas prises, des blessures mineures et des dommages à la scie peuvent survenir.

**AVERTISSEMENT** Indique que si des précautions ne sont pas prises, des blessures graves et même la mort peuvent survenir.

**AVERTISSEMENT**

1. Maintenez la protection en place et en état de fonctionnement en tout temps.
2. Ne déposez aucun objet sur cette protection.
3. Ne déplacez pas la protection alors que la machine est en marche.
4. Le non respect de ces avertissements peut causer des blessures corporelles ou la mort.
5. N'effectuez jamais des découpes à la dégauchisseuse ou à la raboteuse de plus de 1/8 po.

**NE PAS RETIRER NI CACHER CETTE ÉTIQUETTE**



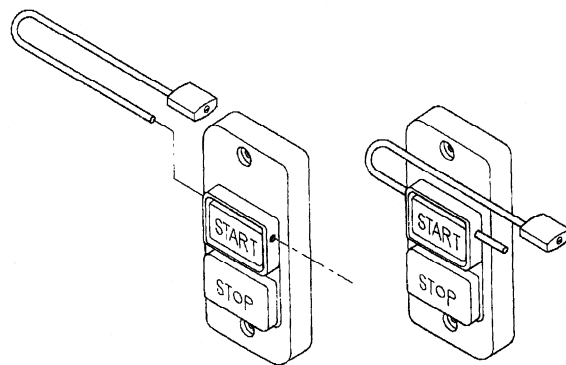
**AVERTISSEMENT**

1. Pour votre propre sécurité, lisez le manuel d'utilisation avant d'utiliser la dégauchisseuse.
2. Ne pas exposer à la pluie et ne pas utiliser dans des emplacements humides.
3. Maintenez toujours la tête de la découpeuse et les protections d'entraînement en place et en bon état de marche.
4. N'effectuez jamais des découpes à la dégauchisseuse ou à la raboteuse de plus de 1/8 po.
5. Utilisez toujours des cales de maintien pour dégauchir les matériaux d'épaisseur inférieure à 3 po ou raboter les matériaux d'épaisseur supérieure à 3 po.
6. N'effectuez jamais des découpes à la dégauchisseuse ou à la raboteuse sur des pièces de longueur inférieure à 8 po.
7. Retirez ou attachez les vêtements lâches tels que les cravates, etc. Retenez les cheveux long et retirez tous vos bijoux.
8. Utilisez des lunettes de sécurité/autre protection homologuées pour les yeux.
9. Déconnectez la machine de toute source d'alimentation avant d'effectuer des réglages ou d'effectuer une maintenance.
10. Ne travaillez jamais sur cette machine sous l'influence de drogues ou d'alcools.
11. Le non-respect de ces avertissements peut causer des blessures corporelles graves.

**NE PAS RETIRER NI CACHER CETTE ÉTIQUETTE**

### Cadenas du commutateur d'activation et de désactivation

La dégauchisseuse est équipée d'un commutateur de bouton de poussée qui prend un cadenas de sécurité (non inclus). Afin de protéger votre machine d'un accès non autorisé ou d'un démarrage accidentel par de petits enfants, il est vivement recommandé d'utiliser un cadenas – voir la figure de droite.



*Verrou du commutateur d'activation et de désactivation*

## Introduction

Ce manuel, fourni par Powermatic couvre les méthodes sécuritaires d'utilisation et d'entretien des modèles de dégauchisseuses 54A et 54HH. Ce manuel contient les directives couvrant l'installation, les précautions de sécurité, les modes d'emploi généraux, les méthodes d'entretien et la liste des pièces. Cet équipement a été conçu et fabriqué pour assurer de nombreuses années de fonctionnement sans problème s'il est utilisé conformément aux directives présentées dans ce manuel. S'il y a des questions ou commentaires, communiquer avec le fournisseur local ou Powermatic. Powermatic peut aussi être contacté via le site Web [www.powermatic.com](http://www.powermatic.com).

## Spécifications

Modèle .....	54A.....	54HH
Numéro du stock :		
Dégauchisseuse et support.....	1791279DXK.....	1 791 317K
Dégauchisseuse uniquement.....	2365013DX.....	1791317
Taille de la table (po) .....	7-1/4 x 66.....	7-1/4 x 66
Support de table .....	glissière à queue-d'aronde.....	glissière à queue-d'aronde
Style de la tête de la découpeuse.....	droits, avec/couteaux à prise rapide .....	hélicoïdal
Couteaux.....	à 3 double-bords.....	40 paraisons à quatre côtés
Nombre de lignes de la découpeuse .....	--.....	6
Vitesse de la tête de la découpeuse (TPM).....	6000.....	6000
Nombre de coupes par minute.....	18,000.....	non applicable
Capacité de coupe (po) .....	1/2" x 6".....	1/2" x 6"
Taille de la lame (po) .....	6-1/16 x 3/4 x 5/64.....	0.10T x 0.59 x 0.59
Commutateur.....	bouton de poussée.....	bouton de poussée
Taille totale du guide (po) .....	4 x 38.....	4 x 38
Inclinaison du guide (degrés) .....	+/- 45.....	+/- 45
Arrêts .....	- 45, 45 et 90 degrés.....	- 45, 45 et 90 degrés
Hauteur de la surface de la table (po) .....	31-1/2.....	31-1/2
Moteur.....	TEFC, 1 HP, 1 PH, 115/230V*, 60Hz.....	TEFC, 1 HP, 1 PH, 115/230V*, 60Hz
Dimensions générales (LxWxH)(po.).....	66 x 24 x 37-1/2.....	66 x 24 x 37-1/2
Poids du lit de la dégauchisseuse (lbs.) .....	254.....	254
Poids du support (lbs.).....	80.....	80

\*(115V pré-connecté)

Les spécifications qui précèdent étaient valides au moment de la publication de ce manuel. Cependant, étant donné notre politique d'amélioration continue, Powermatic se réserve le droit de modifier les spécifications en tout temps sans avis préalable sans encourir d'obligations.

## Déballage

À la livraison, ouvrez les conteneurs d'expédition et vérifiez que toutes les pièces sont en bon état. Signalez immédiatement tout dégât à votre distributeur et à votre transporteur maritime. Avant de poursuivre, lisez votre manuel et familiarisez-vous très bien avec les procédures de montage, de maintenance et de sécurité.

Comparez le contenu de votre conteneur à la liste suivante des pièces pour vous assurer que toutes les pièces sont intactes. Au cas où des pièces manquent, signalez-le à votre distributeur. Lisez bien le manuel d'instructions relatives au montage, à la maintenance et aux consignes de sécurité.

### Contenu à l'expédition

**NOTE :** L'unité est expédiée dans deux cartons.

#### Carton du support

- 1 Support de la dégauchisseuse
- 1 Porte avec matériel de montage
- 1 Chute de poussière avec matériel de montage

#### Carton de l'unité principale

- 1 Dispositif de la dégauchisseuse
- 1 Dispositif du guide
- 1 Couvercle de la poulie
- 1 Courroie
- 1 Protection de la tête de la découpeuse
- 2 Cales de poussée
- 1 Manche du guide
- 1 Sac de matériel

#### Sac de matériel (tous les modèles)

(PM54A-HP, Figure 1)

- 4 Vis à tête cylindrique large (A) de 1/4-20 x 1/2"
- 3 Rondelles de ressort (B) de 3/8" x 5/8"
- 4 Rondelles plates (C) de 1/4-20 x 1/2"
- 3 Boulons de verrouillage (D)

#### Sac de matériel (54A uniquement)

(PM54A-HP2)

- 1 Clé à fourche de 8/10 mm
- 1 Clé à fourche de 12/14 mm
- 1 Clé hexagonale de 3 mm
- 1 Clé hexagonale en T de 4 mm
- 1 Clé hexagonale de 8 mm
- 1 Tournevis de contact

#### Sac de matériel (54HH uniquement)

(PM54HH-HP, Figure 2)

- 1 Clé à fourche de 8/10 mm
- 1 Clé à fourche de 12/14 mm
- 1 Clé hexagonale de 3 mm
- 2 Tournevis de point d'étoile (E)
- 5 Coupe-paraison (F)
- 10 Vis de coupe-paraison (G)
- 1 Tournevis de contact

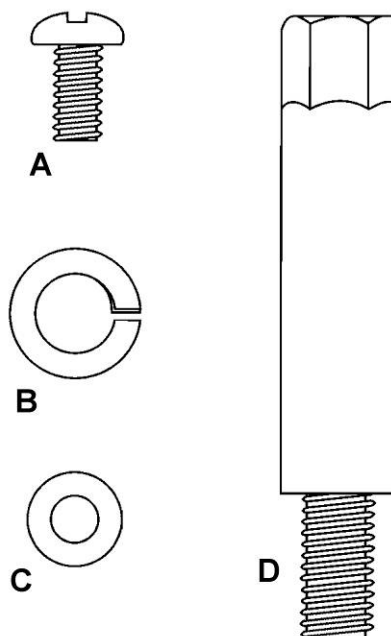


Figure 1

PM54A-HP Contenu du sac de matériel  
(tous les modèles)

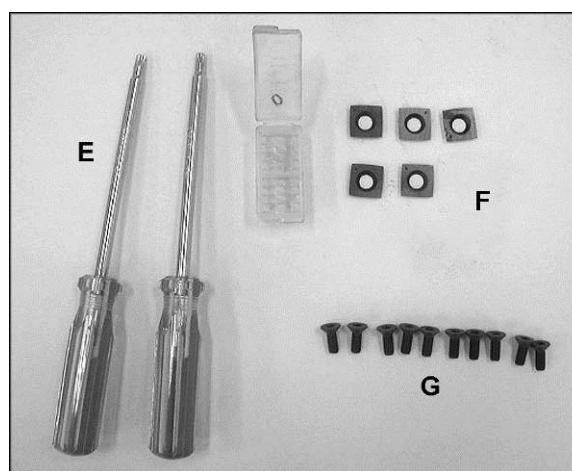


Figure 2

PM54HH-HP Matériel sac Contenu matériel partiel  
(modèle 54HH uniquement)

### Outils requis

Clés à fourche (8, 10, 12, 14, & 19 mm)  
Clés hexagonales (3 & 6 mm)



# Assemblage

## Déballage et nettoyage

Placez la dégauchisseuse sur une surface plate et solide. Assurez-vous qu'aucun recul potentiel n'est aligné sur les côtés, les embrasures, stations de lavage et autres zones de travail.

1. Achevez prudemment de retirer tout le contenu des deux cartons d'emballage (d'expédition). Comparez les contenus des cartons d'emballage (d'expédition) avec la liste du contenu de la page 8. Placez les pièces sur une surface protégée.
2. Mettez les cartons de matériel et d'expédition de côté. Ne les jetez pas tant que la machine n'est pas réglée et fonctionne correctement.

**⚠ AVERTISSEMENT** Les couteaux de la tête de la découpeuse sont très tranchants et dangereux ; soyez extrêmement prudent lors du nettoyage. Le non respect de cette consigne risque de provoquer des blessures graves.

3. Humidifiez un torchon souple avec du pétrole et retirez la couche de protection de toutes les surfaces mécanisées de la dégauchisseuse. N'utilisez PAS de protection abrasive. N'utilisez pas d'essence, d'acétone ou de laque fine car ces produits peuvent endommager les surfaces peintes.
4. Appliquez une fine couche de cire en pâte sur les surfaces brillantes du guide et sur les tables pour éviter la rouille. L'autre option consiste à appliquer de la poudre de talc frottée vigoureusement une fois par semaine à l'aide d'une brosse feutrée ; ceci permet de boucher les pores de moulage et de former une barrière d'humidité. La poudre de talc n'entache pas le bois et n'abîme pas les finitions.

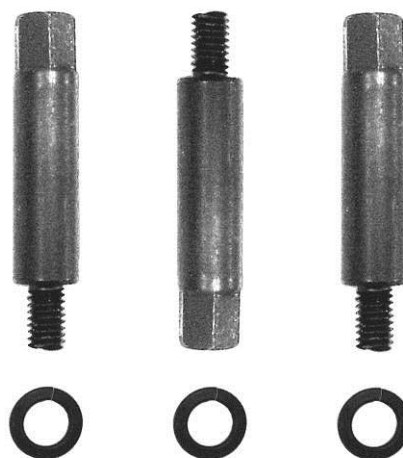


Figure 3

## Montage du lit sur le support

1. Placez la dégauchisseuse sur le support afin que la poulie fixée sur la tête de la découpeuse de la dégauchisseuse soit directement au dessus et du même côté que la poulie du moteur.
2. Utilisez trois boulons de verrouillage et des rondelles de ressort (Figure 3) pour fixer fermement la dégauchisseuse au support. Les boulons sont enfilés travers les orifices du support dans la base de la dégauchisseuse (Figure 4).
3. Utilisez une clé de 14 mm pour serrer les boulons de blocage.

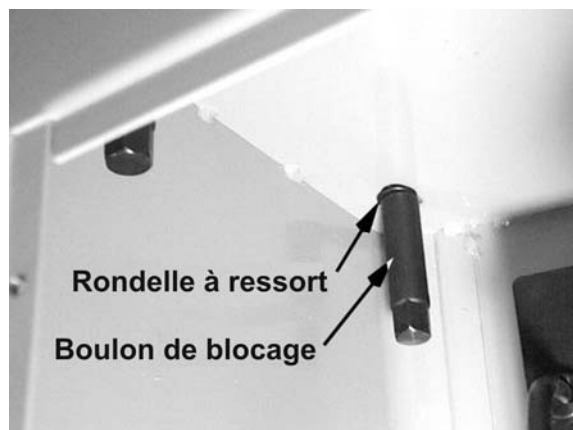


Figure 4

## Montage du guide sur le lit

En vous référant à la figure 5 :

1. Avant de déplacer le dispositif du guide, immobilisez le manche de blocage d'inclinaison (K).

**ATTENTION** Immobilisez le manche de blocage d'inclinaison pour éviter des blessures corporelles causées par les pièces mobiles.

2. Installez la clé (F) dans la fente mécanisée du support du guide (G) comme le montre l'illustration. La broche du ressort (E) doit entrer dans l'orifice de la fente. La clé (F) doit être fermement installée dans la fente.
3. Enduisez une légère couche d'huile sur les surfaces d'ajustement du support du guide (G) et la sur base du glissoir du guide.
4. Placez la base du glissoir du guide (B) sur le support du guide (G) en alignant la fente de la machine (D) dans la base du glissoir du guide à l'aide de la clé (F).
5. Fixez la rondelle plate (H) et deux écrous hexagonaux (J) sur la vis de blocage (A) mais ne serrez pas.
6. Orientez le manche de blocage (C) dans la position illustration ; puis serrez les écrous hexagonaux (J) avec une clé de 19 mm.

C'est la position bloquée du dispositif du guide. La rotation du manche de blocage (C) en sens horaire desserre le dispositif du guide, vous permettant de faire coulisser le dispositif vers l'arrière et l'avant. Les écrous hexagonaux peuvent nécessiter un réajustement pour permettre au guide de coulisser vers l'avant et l'arrière (manche en position horaire) ; tout en immobilisant bien le guide (manche de blocage installé comme illustré à C).

Lorsque la vis de blocage (A) est serrée, le guide doit être immobilisé.

## Montage de la courroie d'entraînement

En vous référant à la figure 6 :

1. Placez la courroie trapézoïdale (A) sur la poulie de la tête de la découpeuse (B) et en travers l'ouverture dans le support.
2. Tirez la courroie trapézoïdale vers le bas et placez-la sur la poulie du moteur.

Si la courroie ne parvient pas à rouler sur la poulie, desserrez les vis de montage du moteur (D). Puis soulevez le moteur le plus haut possible et montez la courroie sur les deux poulies. Laissez le moteur descendre et créer une tension sur la courroie.

3. Inspectez pour vous assurer que la poulie du moteur et celle de la tête de la découpeuse sont verticalement alignées et que la courroie trapézoïdale ne touche pas les côtés de l'ouverture de la base. Si les poulies ne sont alignées, retirez la courroie et réglez la poulie du moteur à l'intérieur ou à l'extérieur de l'arbre, puis fixez à nouveau la courroie.

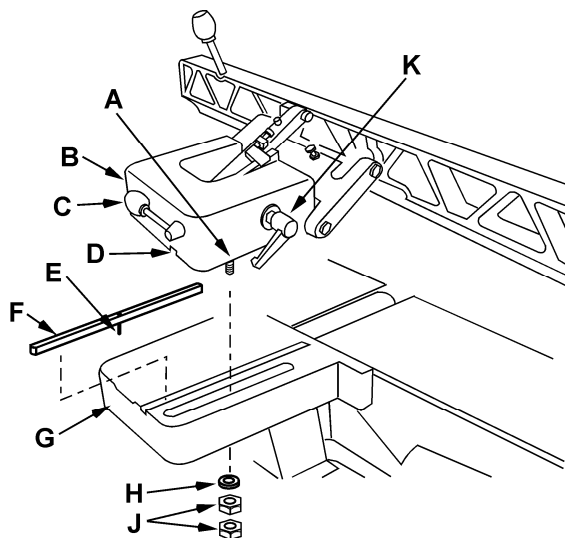


Figure 5

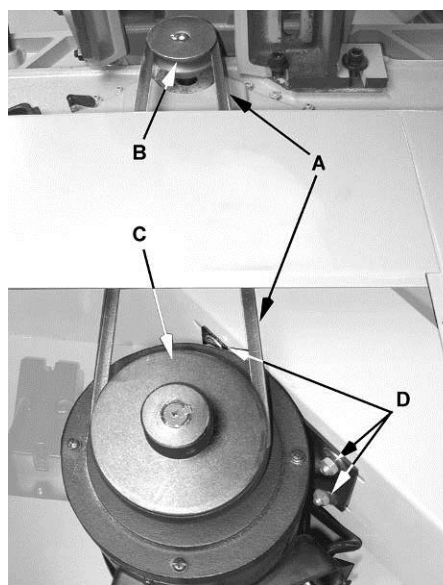


Figure 6

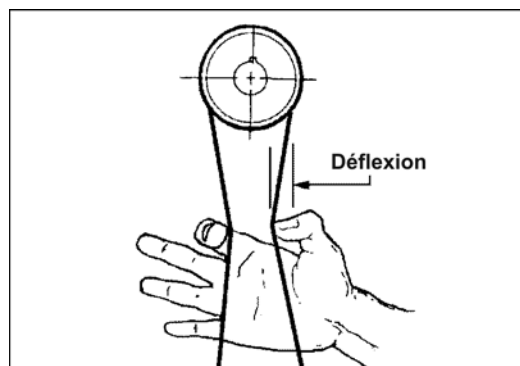


Figure 7

- Tirez vers le bas sur le moteur pour atteindre la tension de courroie souhaitée.

La tension de la courroie trapézoïdale est appropriée lorsque la pression du doigt sur la courroie à mi-chemin entre les deux poulies provoque une déflexion de 1/2" (Figure 7).

- Serrez les boulons de montage.

Après deux heures d'utilisation, vérifiez à nouveau la tension de courroie. Réglez à nouveau la tension si nécessaire.

### Montage du couvercle de la poulie

En vous référant à la figure 8 :

- Placez le *couvercle de la poulie* (A) au-dessus de l'ouverture du support.
- Alignez les orifices dans le support avec les orifices dans la protection.
- Fixez le *couvercle de la poulie* sur le support à l'aide de quatre *vis à tête cylindrique large* de 1/4-20 x 1/2" et de *rondelles plates* de 1/4" (B).

### Montage de la protection de la tête de la découpeuse

- Retirez la *vis* de la borne lumineuse.

En vous référant à la figure 9 :

- Tournez le bouton du ressort (B) d'environ un demi-tour en sens antihoraire (comme affiché depuis le sommet) et maintenez.
- Insérez la borne lumineuse dans l'orifice de la table. Assurez-vous que le ressort qui se trouve dans le bouton du ressort (B) enclenche la fente de la borne lumineuse. Au besoin, tournez légèrement le bouton jusqu'à ce que la protection s'installe.
- Enfilez à nouveau la *vis* (C) dans la borne lumineuse.
- Vérifiez qu'elle fonctionne bien. La *protection de la tête de la découpeuse* (A) doit rentrer complètement dans le guide lorsqu'elle est relâchée. Si la protection ne rentre pas complètement, tirez-la, appliquez plus de tension au bouton du ressort (B) en le tournant d'un autre tour en sens antihoraire et insérez à nouveau la protection. Si la protection se ferme trop rapidement et frappe trop fort le guide, faites le contraire.
- Insérez à nouveau la *vis* (C) dans la borne lumineuse.

### Montage de la porte d'accès et de la chute de poussière

En vous référant à la figure 10 :

Installez la porte d'accès en plaçant le bas du panneau dans le support et en serrant avec quatre *vis à tête cylindrique large* de 1/8 x 3/8 (A) et quatre *rondelles plates* de 1/8" (B).

Fixez la chute de poussière (D) à la base avec quatre *vis mécaniques* de 1/4" x 1/2" et quatre *rondelles plates* de 1/4" (E).

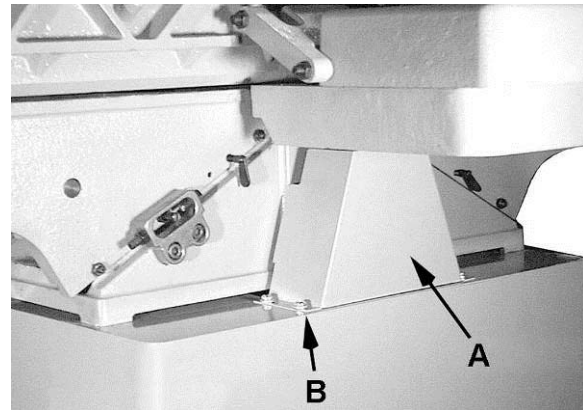


Figure 8

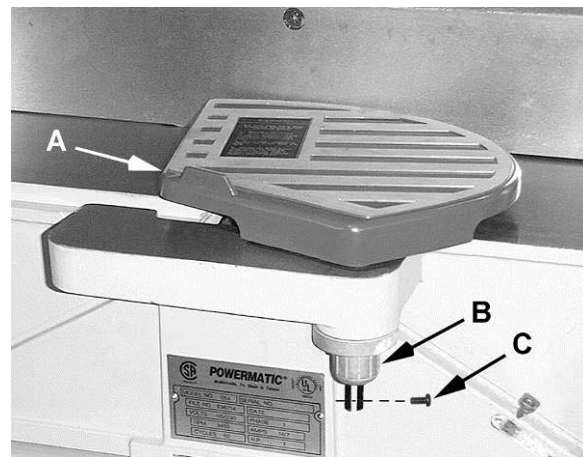


Figure 9

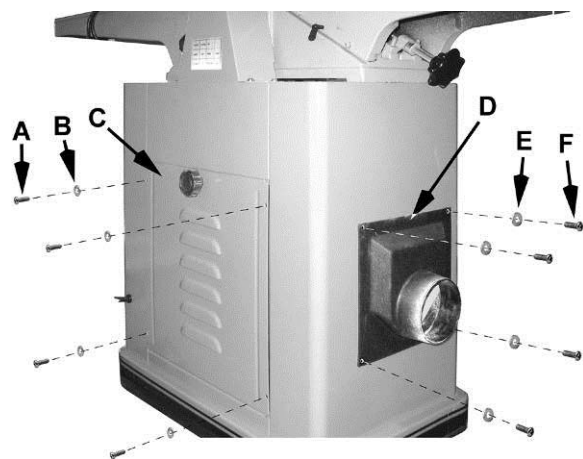


Figure 10

# Circuit électrique

## Instructions relatives à la mise à la masse

**ATTENTION** La dégauchisseuse doit être mise à la masse lors de son utilisation pour protéger l'opérateur d'une décharge électrique.

En cas de dysfonctionnement ou de panne, la mise à la masse fournit un moyen de résistance minimale pour que le courant électrique réduise le risque de décharge électrique. Cet outil est équipé d'une rallonge électrique dotée d'un conducteur de mise à la masse de l'équipement et d'une prise de mise à la masse. La prise doit être insérée dans la prise de courant de la machine qui est bien installée et mise à la masse selon les codes et ordonnances locales.

Ne modifiez la prise fournie. Si elle n'entre pas dans la prise de courant, faites installer la prise de courant appropriée par un électricien qualifié. Une connexion inappropriée du conducteur de mise à la masse de l'équipement peut provoquer un risque de décharge électrique. Le conducteur de mise à la masse de l'équipement est celui avec isolation dont la surface extérieure est verte avec ou sans bandes jaunes. Si vous devez réparer ou remplacer la rallonge électrique, ne connectez pas le conducteur de mise à la masse de l'équipement à une borne sous tension.

Vérifiez avec l'aide d'un électricien qualifié ou d'un personnel d'entretien si les instructions relatives à la mise à la masse sont bien comprises ou si vous doutez de la mise à la masse appropriée de l'outil. Utilisez uniquement trois rallonges de fil électrique ayant des fiches de mise à la masse tripolaire et des réceptacles tripolaires qui prennent la prise de l'outil.

Réparez ou remplacez immédiatement une rallonge endommagée ou usée.

## Fonctionnement sous 115 volts

En vous référant à la figure 11 :

Comme à sa sortie d'usine, votre dégauchisseuse de menuiserie est prête à fonctionner à 115 volts. Lorsqu'elle est branchée à 115 volts, cette dégauchisseuse est destinée à être utilisée sur un circuit doté d'une prise de courant et d'une prise qui ressemble à celle illustrée sur la figure (A). Un adaptateur temporaire, ressemblant à celui illustré en (B), peut être utilisé pour connecter cette prise à un réceptacle bipolaire si une prise de courant correctement mise à la masse est disponible.

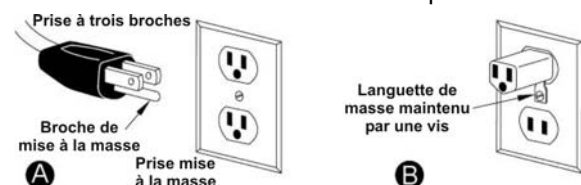


Figure 11

L'adaptateur temporaire doit être utilisé uniquement si une prise de courant correctement mise à la masse peut être installée par un électricien qualifié. L'utilisation de cet adaptateur n'est pas permise au Canada. La patte l'oreille, ou la languette rigide de couleur verte qui s'allonge depuis l'adaptateur doit être connecté à une masse permanente comme une boîte de prise de courant correctement mise à la masse.

## Fonctionnement sous 230 volts

En vous référant à la figure 12 :

Si vous souhaitez travailler avec une seule phase de 230V, vous devez suivre les instructions suivantes :

1. Déconnectez la machine de la source d'énergie.
2. Le moteur de la dégauchisseuse possède quatre fils numérotés connectés depuis l'usine pour un Fonctionnement sous 115V, comme illustré en (A). Pour un fonctionnement sous 230V reconnectez les fils comme illustré en (B). Cette illustration se trouve également dans les schémas des pages 39 et 40.
3. L'accessoire de prise de 115V (C) fourni avec la dégauchisseuse de menuiserie doit être remplacé par une prise appropriée de la liste UL/CSA pour un fonctionnement sous 230V (D). Contactez votre centre local d'entretien Powermatic agréé ou un électricien qualifié pour les procédures adéquates d'installation de la prise. La dégauchisseuse de menuiserie doit répondre aux codes locaux et nationaux après l'installation de la prise de 230 volts.
4. La dégauchisseuse équipée d'une prise de 203 volts doit être connectée uniquement à une prise de courant ayant la même configuration que celle illustrée en (D). Aucun adaptateur n'est disponible et ne doit être utilisé avec une prise de 230 volts.

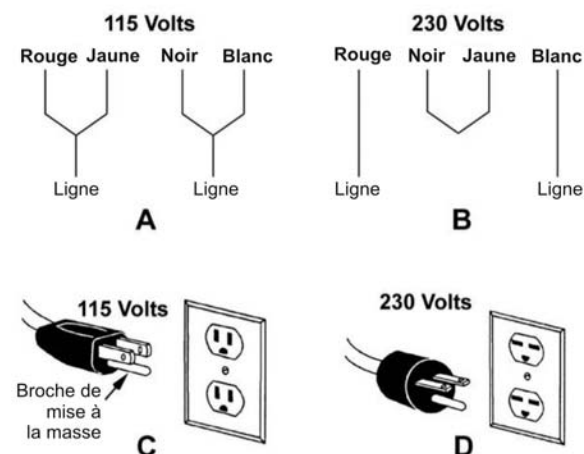


Figure 12

## Rallonges électriques

Assurez-vous votre rallonge électrique est en bon état. Lorsque vous utilisez une rallonge électrique, assurez-vous qu'elle est assez lourde pour supporter le courant que votre machine tire. Une rallonge de taille inférieure peut provoquer une baisse d'intensité de la ligne entraînant ainsi une perte d'énergie et la surchauffe. Le tableau 1 illustre la taille correcte à utiliser suivant la longueur de la rallonge et la valeur ampère de la plaque de fabrication. Si vous avez des doutes, utilisez un calibre plus lourd. Souvenez-vous, plus le numéro du calibre est petit, plus la rallonge est lourde.

## Calibres de rallonges électriques recommandés

Amps	Longueur de la rallonge électrique en pieds *					
	25	50	75	100	150	200
< 5	16	16	16	14	12	12
5 à 8	16	16	14	12	10	NR
8 à 12	14	14	12	10	NR	NR
12 à 15	12	12	10	10	NR	NR
15 à 20	10	10	10	NR	NR	NR
21 à 30	10	NR	NR	NR	NR	NR

Sur la base de la limitation de la baisse de tension à 150%des ampères évalués.

NR. Pas recommandé

## Réglages

### Déplacement de la protection

Le guide peut être déplacé de l'avant vers l'arrière sur la largeur de la table. Elle s'incline également jusqu'à 45 degrés et dispose d'un arrêt positif à 90 degrés.

Le dispositif du guide doit être déplacé périodiquement vers différentes positions lorsque l'assemblage du bord doit distribuer l'usure sur les couteaux de la tête de la découpeuse.

En vous référant à la figure 13 :

*Pour faire coulisser le guide de l'avant à l'arrière :*

1. Desserrez le *manche de blocage (A)*.
2. Poussez tout le dispositif du guide vers la position souhaitée et serrez le *manche de blocage*.

*Pour incliner le guide vers l'avant :*

Le guide peut être incliné à un angle de 45 degrés minimum.

1. Desserrez le *manche de blocage (B)*.
2. Réglez le guide vers le niveau souhaité jusqu'à 45 degrés. Vous pouvez également placer votre pièce de référence sur la table et contre le guide, puis régler le guide jusqu'à ce que son angle corresponde au biseau de votre pièce de calibre.
3. Serrez le *manche de blocage (B)*.

*Pour incliner le guide vers l'arrière :*

Le guide peut être incliné vers l'arrière de 45° maximum (c'est à dire pour un total d'angle inclus de 135° depuis la surface de la table).

Tableau 1

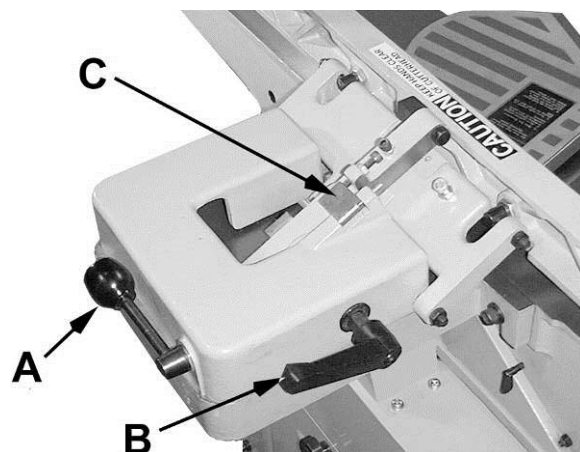


Figure 13

1. Desserrez le *manche de blocage (B)*.
2. Retournez la *cale de blocage (C)* de 90° hors du chemin.
3. Réglez le guide sur l'angle souhaité jusqu'à 135 degrés. Vous pouvez également placer votre pièce de référence taillée en biseau sur la table et contre le guide, puis régler le guide jusqu'à ce que son angle corresponde au biseau de votre pièce de référence.
5. Serrez le *manche de blocage (B)*.

**Important :** Lorsque l'opération d'inclinaison est terminée et le guide remis à 90°, n'oubliez pas de retourner le boulon de blocage de 90° (C) à sa position d'origine.

## Réglages d'arrêt du guide

Vérifiez périodiquement la précision des 45° et 90° d'inclinaison (135°) vers l'arrière du guide à l'aide d'un dispositif de mesure d'angle tel qu'une équerre réglable ou un rapporteur d'opérateur.

### Réglage de l'arrêt à 90°

En vous référant à la figure 14 :

L'arrêt de 90° est contrôlé par le *boulon d'arrêt* (F) et la *cale d'arrêt* (C).

1. Placez la table d'entrée à environ la même hauteur que la table de sortie.
2. Déplacez le guide en relâchant le *manche de blocage* (A) et en poussant le dispositif du guide jusqu'à ce qu'il déborde les tables.
3. Serrez le *manche de blocage* (A).
4. Réglez le guide à un angle de 90° en relâchant le *manche de blocage* (B) en poussant le *manche du guide* vers le haut et en serrent le *manche de blocage* (B).

**NOTE :** Le *boulon d'arrêt* (F) doit reposer contre la *cale d'arrêt* (C).

5. Placez un dispositif de mesure d'angle sur la table et contre le guide pour confirmer le réglage de 90° (A, Fig. 15).
6. Si le guide ne forme pas un angle droit avec la table, relâchez le *manche de blocage* (B), desserrez le *contre-écrou* (D) qui maintient le *boulon d'arrêt* (F), puis tournez le *boulon d'arrêt* jusqu'à ce que le guide forme un angle droit avec la table.
7. Serrez le *contre-écrou* (D) pour immobiliser le *boulon d'arrêt* (F) qui retient le réglage.
8. Serrez le *manche de blocage* (B).

### Réglage d'arrêt de l'inclinaison avant de 45°

Placez le levier d'inclinaison du guide (E, Fig. 14) vers l'opérateur.

L'arrêt de l'inclinaison avant de 45 degrés est contrôlé par la vis de tête (G, Fig. 14). Le réglage s'effectue de la même façon que pour un arrêt de 90 degrés, excepté le fait qu'un rapporteur est utilisé.

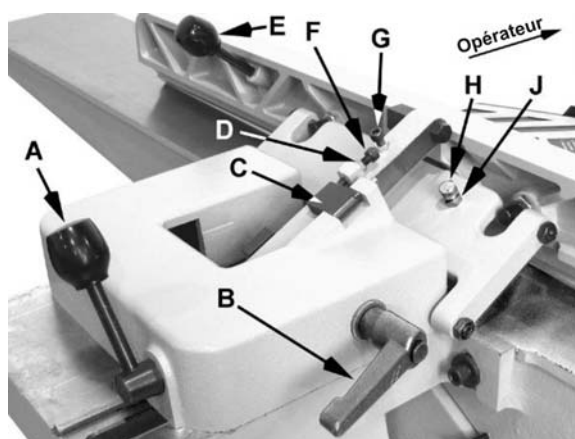


Figure 14

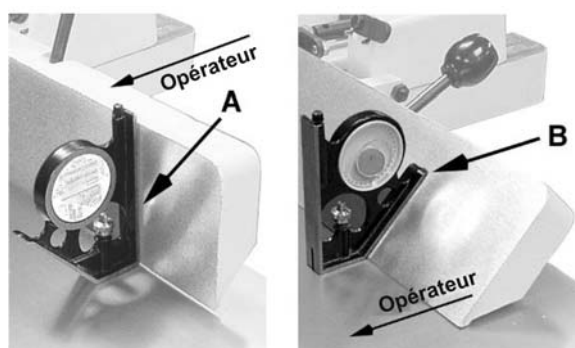


Figure 15

### Réglage d'arrêt arrière du guide de 45°

En vous référant à la figure 14 :

L'arrêt arrière du guide de 45° est contrôlé par le *boulon d'arrêt* (H).

1. Desserrez le *manche de blocage* (B).
2. Déplacez la *cale d'arrêt* (C) hors du chemin et placez le guide à un angle de 135° ; le levier d'inclinaison du guide (E) est placé loin de l'opérateur comme le démontre l'illustration. Assurez-vous que le guide est bien installé dans le *boulon de blocage* (H).
3. Serrez le *manche de blocage* (B).
4. Placez un dispositif de mesure d'angle sur la table et contre le guide pour confirmer le réglage de 135° (B, Fig. 15).
5. Pour régler, desserrez les *contre-écrous*, (J) maintenant le *boulon d'arrêt* (H) et tournez le *boulon d'arrêt* jusqu'à ce que le guide atteigne un angle de 135°.
6. Serrez l'*écrou de blocage* (J).

## Réglage de la hauteur de la table d'entrée

Référez-vous aux Figures 16 – 18.

*Réglage initial (brut).*

1. Desserrez la vis à oreilles (D) et le bouton de blocage (B).
2. Soulevez ou abaissez le *manche de réglage de la hauteur* (C) jusqu'à ce que l'échelle (A, Fig. 16 et Figure 17) atteigne environ la profondeur de coupe souhaitée.

Si vous ne pouvez pas régler à zéro ou 1/8", consultez l'*astuce d'aide* ci-dessous.

*Réglage subtil*

3. Tournez le manche de blocage (B) jusqu'à ce qu'il soit bien fixé.
4. Faites pivoter le *manche de réglage de la hauteur* (C) jusqu'à ce que l'échelle soit exacte. La rotation dans le sens horaire soulève la table, tandis que le sens antihoraire l'abaisse.

**NOTE :** Le *manche de réglage de la hauteur* (C) a un réglage subtil de 1/16" de déplacement par rotation.

5. Lorsque le réglage est effectué, resserrez la vis à oreilles (D).

**Important :** Pour des opérations normales, la profondeur de coupe ne doit jamais dépasser 1/8", sauf pour les opérations de refeuillement.

**Astuce utile :** Parfois, vous allez remarquer que vous ne pouvez pas effectuer de réglage tout en haut jusqu'à zéro, ou vers le bas jusqu'à 1/2" sur la *profondeur de l'échelle de coupe* (Figure 17) lorsque vous soulevez ou abaissez le manche (C, Fig. 16). Si tel est le cas :

En maintenant le *bouton de blocage* (B, Fig. 16) déverrouillé, faites pivoter le *manche de réglage de la hauteur* (C, Fig. 16) quelques tours, puis soulevez ou abaissez-le. Une fois que vous pouvez atteindre zéro ou le réglage 1/2" (Figure 17), vous pourrez encore faire pivoter le manche (C) complètement.

## Limiteur de déplacement de la table d'entrée

En vous référant à la figure 19 :

Le *limiteur de déplacement de la table d'entrée* situé à l'arrière de la table règle la moyenne supérieure et inférieure du réglage de la hauteur de la table d'entrée et ne nécessite plus de réglages. Pour le *réglage de la hauteur de la table d'entrée*, référez-vous à la section précédente.

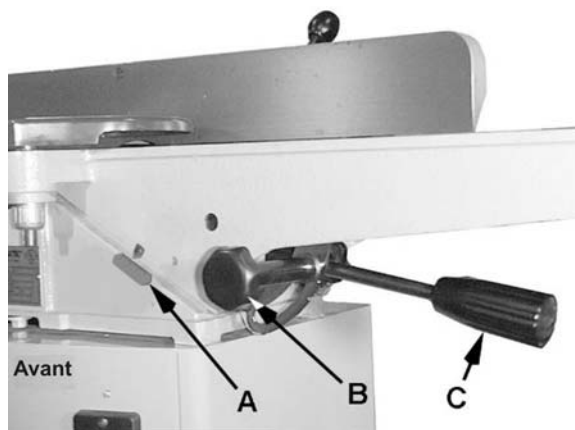


Figure 16

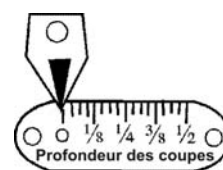


Figure 17

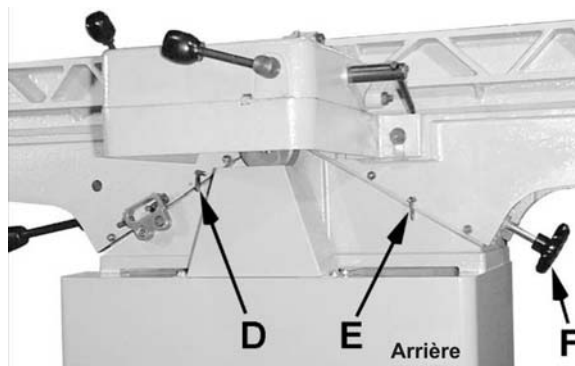


Figure 18

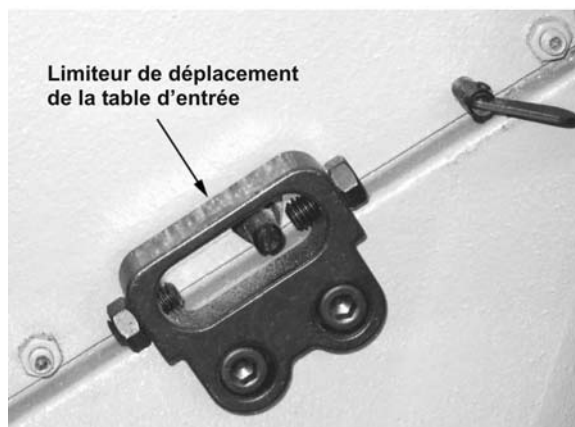


Figure 19

## Réglage du verrou de la porte

Les verrous des tables d'entrée et de sortie sur votre machine sont réglés à l'usine et ne nécessitent plus de nouveau réglage. Après une certaine période d'utilisation, les verrous peuvent se relâcher et introduire un jeu, provoquant ainsi l'affaissement des tables. Elles nécessitent un réglage.

Pour régler (référez-vous à la Figure 20)

1. À l'aide d'une clé de 10 mm, desserrez les écrous de blocage qui maintiennent les vis de réglage de verrou (A or B).
2. Faites soutenir l'extrémité de la table par une autre personne, en la soulevant légèrement pendant que vous effectuez les réglages.
3. À l'aide d'une clé hexagonale de 3 mm, serrez chaque vis de réglage d'1/4 de tour en commençant par celui du bas puis celui du haut. Si un jeu d'1/4 de tour ne supprime pas le jeu de la table, faites un autre 1/4 de tour. Reprenez le 1/4 de tour une fois pour les deux vis de réglage jusqu'à la suppression du jeu.  
**NOTE :** Si les verrous sont trop serrés, les manches de réglages (C) seront difficiles à tourner.
4. À la fin du réglage, immobilisez les vis de réglage à l'aide d'une clé hexagonale de 3 mm afin de maintenir le réglage tout en serrant les écrous de blocage avec une clé de 10 mm.

## Réglage de la hauteur de la table de sortie

À la livraison de la dégauchisseuse, les couteaux sont déjà préréglés à l'usine. Cependant, la hauteur et le parallélisme des couteaux et de la table d'entrée doivent être vérifiées et tout réglage nécessaire effectué avant la mise en fonctionnement de la dégauchisseuse.

Régalez la hauteur de la table de sortie de la manière suivante :

1. Déconnectez la dégauchisseuse de la source d'énergie.
2. Numérotez soigneusement chaque lame (modèle 54A uniquement) avec un marqueur pour faciliter leur différenciation.
3. Placez une règle plate graduée sur la table de sortie et déployez-la sur la tête de la découpeuse (Figures 21 et 23).

**⚠ AVERTISSEMENT** Les couteaux de la raboteuse et les coupe-paraisons sont tranchants et dangereux. Ne tenez pas la tête de la découpeuse elle-même pour la faire pivoter !

4. Faites pivoter la tête de la découpeuse à l'aide de la courroie ou de la poulie d'entraînement, jusqu'à ce que le couteau numéro un (ou un coupe-paraison sur le modèle 54HH) soit à son point le plus élevé. Le sommet du couteau doit juste effleurer la règle plate graduée.

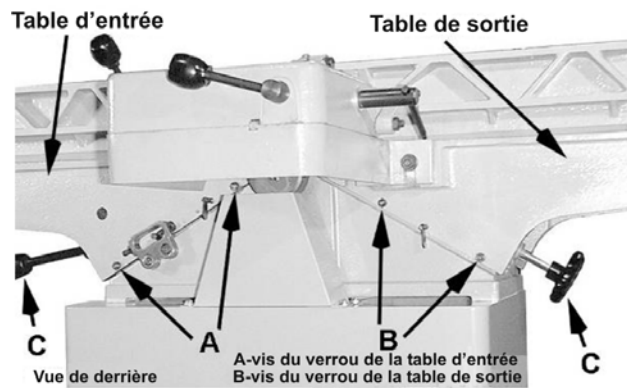


Figure 20

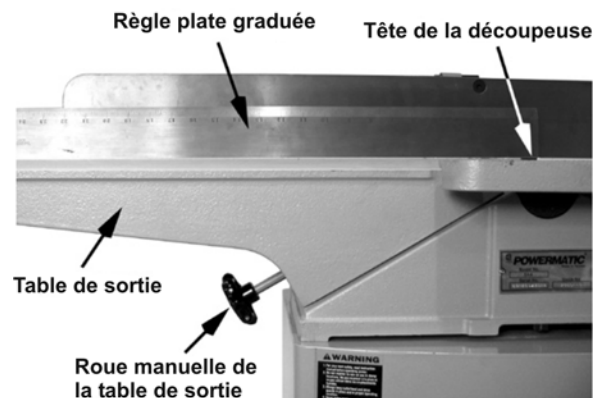


Figure 21



Si le sommet du *couteau numéro un* effleure juste la règle plate graduée, aucun réglage n'est plus nécessaire pour la table de sortie. Passez à la section du *réglage de la tête de la découpeuse*

Si le sommet du *couteau numéro un* passe sous la règle plate graduée (il y a un espace) ou la pousse vers le haut, passez aux étapes suivantes.

5. Desserrez les deux vis de blocage du verrou (Figure 22).
6. À l'aide de la roue manuelle de la table de sortie (Figure 21), soulevez ou abaissez la table de sortie jusqu'à ce que la règle plate graduée touche le bord du couteau comme l'illustre la Figure 23. À l'aide la courroie ou de la poulie d'entraînement, secouez légèrement la tête de la découpeuse pour vous assurer que le sommet du couteau effleure juste la règle plate graduée.  
À la fin du réglage :
7. Verrouillez la table de sortie à cette hauteur en serrant la vis de blocage du verrou (Figure 22). Le réglage de la table de sortie est terminé.

Le réglage de la table de sortie s'effectue uniquement contre un couteau ou un coupe-paraison (la lame numéro un a été arbitrairement choisie ici). Après le réglage de la table de sortie à la hauteur appropriée, ne le changez pas sauf pour des opérations spéciales ou après avoir remplacé les couteaux.

Après avoir terminé ce réglage sur le modèle 54A, il est nécessaire de passer à la section sur le *réglage de la tête de découpeuse* pour vérifier que tous les couteaux sont à une hauteur adéquate et parallèles à la table de sortie. Pour le modèle 54HH, passez à *remplacement et rotation des coupe-paraisons* en page 20.

### **Réglage des couteaux de la tête de la découpeuse (Modèle 54A uniquement)**

Note : Avant de régler les couteaux de la dégauchisseuse 54A, le réglage de la hauteur de la table de sortie doit être effectué pour assurer la hauteur adéquate du couteau par rapport à la table de sortie.

Les couteaux de la tête de la découpeuse 54A sont réglés au moyen d'une came. Il est important de noter que tous les réglages s'effectuent en une rotation complète (360 degrés) de la came. Une rotation complète de la came va provoquer le déplacement de la lame du couteau d'un total de 015" d'une extrémité à l'autre. La rotation de la came de plus d'une rotation complète n'ajuste pas davantage le réglage du couteau, mais reprend simplement encore le réglage. La procédure de réglage du couteau est décrite ci-dessous.

**⚠ AVERTISSEMENT** Les couteaux de la tête de la découpeuse sont très tranchants ! Soyez extrêmement prudent lors de l'inspection, du

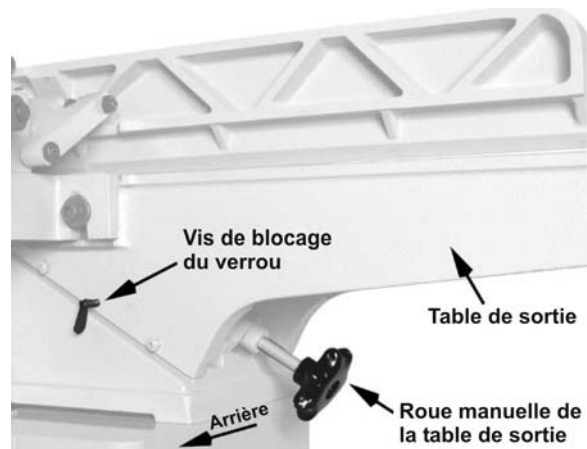


Figure 22

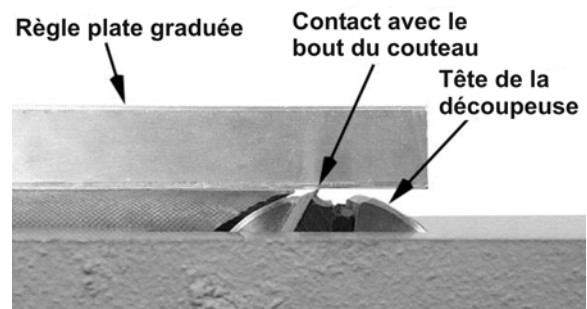


Figure 23

retrait, de l'affûtage ou du remplacement des couteaux dans la tête de la découpeuse. Le non respect de cette consigne risque de provoquer des blessures graves !

Pour régler (référez-vous aux Figures 24 & 25) :

1. Déconnectez la dégauchisseuse de la source d'énergie.
2. Numérotez soigneusement chaque lame avec un marqueur pour faciliter leur différenciation.
3. Placez une règle plate graduée le long de la table en la dépliant sur la tête de la découpeuse vers l'une des extrémités du couteau.

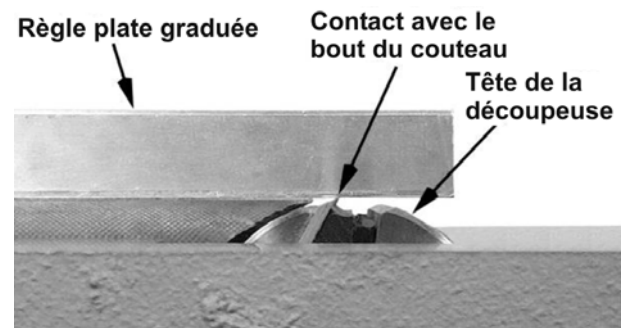


Figure 24

**⚠ AVERTISSEMENT** Les couteaux de la tête de la découpeuse sont très tranchants. Ne tenez pas la tête de la découpeuse elle-même pour la faire pivoter ! Le non respect de cette consigne risque de provoquer de graves blessures.

4. Faites pivoter la tête de la découpeuse vers l'avant et l'arrière à l'aide de la courroie ou de la poulie d'entraînement jusqu'à ce que le couteau numéro un soit à son point le plus haut. Le sommet du couteau doit juste effleurer la règle plate graduée.
5. Déplacez la règle plate graduée vers l'autre extrémité du couteau et répétez l'étape 4.

Le sommet du couteau aux deux extrémités du couteau doit juste effleurer la règle plate graduée. Si le sommet du couteau passe en dessous de la règle plate graduée (il y a un espace) ou la pousse vers le haut, passez à l'étape suivante.

6. À l'aide d'une clé hexagonale de 4 mm, desserrez légèrement les quatre vis du verrou.
7. À l'aide d'une clé hexagonale de 3 mm, desserrez les vis de verrouillage de la came pour permettre le réglage de la came (décrit à la prochaine étape).

**Important :** Maintenez toujours les vis de verrouillage de la came suffisamment serrées afin que la came puisse pivoter librement. Ceci est particulièrement important lorsque vous faites pivoter la came en sens antihoraire étant donné que cette action va amener la vis de verrouillage de la came à se desserrer davantage.

8. À l'aide d'une clé hexagonale, réglez la came (voir la Figure 25). Ce réglage est très délicat. Commencez par pivoter la came en sens horaire juste de quelques degrés.
9. Ensuite, stabilisez la tête de la découpeuse en maintenant fermement la poulie, placez un morceau de bois appuyé contre l'extrémité du couteau et appuyez pour bien installer la lame.
10. Vérifiez votre progression en reprenant les étapes 4 et 5. Si le couteau s'élargit sous l'effet du réglage, tournez la came dans l'autre sens.
11. Le réglage est presque terminé lorsque les conditions décrites aux étapes 4 et 5 sont remplies.

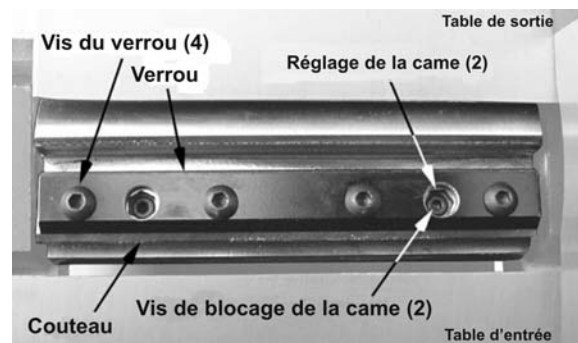


Figure 25

12. Ensuite, tout en appuyant fermement le couteau contre la came, ajustez les deux vis du verrou de l'intérieur qui immobilisent le verrou et le couteau. Vérifiez que le couteau est toujours en cours de réglage (étapes 4 et 5).
13. Serrez les deux vis extérieures du verrou, puis ses deux vis intérieures.
14. Vérifiez que le couteau est toujours en cours de réglage (étapes 4 et 5).
15. Serrez les vis de blocage du verrou.
16. Reprenez toute la procédure pour le reste des deux couteaux.

### Remplacement des couteaux (Modèle 54A uniquement)

**⚠ AVERTISSEMENT** Les couteaux de la raboteuse sont très tranchants. Soyez extrêmement prudent lors de l'inspection, du retrait, de l'affûtage ou du remplacement des couteaux. Le non respect de cette consigne risque de provoquer de graves blessures.

Pour retirer ou remplacer un couteau (se référer à la Figure 26) :

1. Déposez quatre *vis de verrou* (A) avec une clé hexagonale de 4 mm.
2. Retirez le *verrou* (B) et le *couteau* (C).  
Si vous réutilisez le couteau (couteaux à double tranchant) nettoyez le couteau, le verrou et la tête de la découpeuse de toutes les pentes et débris.
3. Posez le nouveau couteau ou le bord inutilisé du vieux couteau sur la tête de la *découpeuse* (D).
4. Remplacez le *verrou* (B) et les *vis* (A). Serrez à l'aide du doigt à ce moment.
5. Appuyez contre le bord tranchant du couteau au centre de la lame à l'aide d'un morceau de bois. **N'UTILISEZ PAS LES DOIGTS !** Cette opération vise à assurer que la came touche bien le couteau.
6. Ajustez les deux vis de l'intérieur, puis les deux de l'extérieur.
7. Relâchez le morceau de bois appuyé contre le couteau et serrez les vis du verrou.
8. Remplacez les deux lames restantes en reprenant les étapes 1-7.
9. Décidez si ou non les couteaux doivent être réglés.

Suivez les étapes 3 et 4 de la section du *régla*ge de la hauteur de la table de sortie uniquement, pour décider si ou non les couteaux doivent être réglés. N'achevez pas tout le processus de réglage de la table de sortie. Si les couteaux doivent être réglés, passez à la section du réglage des couteaux de la découpeuse.

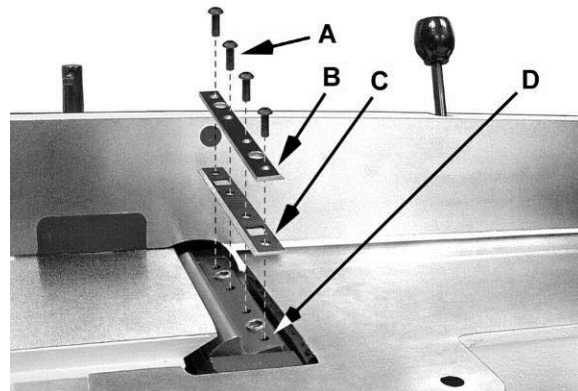


Figure 26

## Réglage des couteaux pour le refeuillement et des encoches (Modèle 54A uniquement)

**NOTE:** Il n'est pas possible d'effectuer des refeuillements sur les modèles de tête de découpeuse hélicoïdale.

Pour placer les couteaux en position d'effectuer un refeuillement, prenez une échelle vendue sur le marché ayant les graduations 1/32" et placez-la contre l'extrémité de la tête de la découpeuse. Faites glisser le couteau jusqu'à ce qu'il soit sur 1/32" sur l'échelle, c'est-à-dire que le couteau sera maintenant au-delà de l'extrémité de la tête de la découpeuse. Le verrou doit rester dans la position normale, même avec le bord de la tête de la découpeuse. (Figure 27) Ce réglage permet de s'assurer que le couteau dégage l'extrémité du verrou et de la tête de la découpeuse et touche bien le morceau de bois. (Voir la section *coupes de rainure* pour des informations supplémentaires.)

**Note :** Cela va également corriger les petites encoches sans nécessiter le remplacement des lames.

## Remplacement ou rotation des coupe-paraisons (modèle 54HH uniquement)

Les coupe-paraisons du modèle 54HH de la dégauchisseuse comportent quatre côtés. Lorsqu'elles sont émoussées, retirez simplement chaque paraison et faites-la pivoter à 90° pour l'affûter encore et installez-la à nouveau.

Utilisez les deux tournevis à pointe étoilée fournis pour retirer la vis du coupe-paraison. Voir la Figure 28. Utilisez l'un des tournevis pour immobiliser la tête de la découpeuse et l'autre pour déposer la vis. Il est conseillé de faire pivoter toutes les paraisons simultanément afin de maintenir une coupe consistante. Cependant, si un ou plusieurs coupe-paraisons forme une encoche, faites pivoter uniquement les paraisons touchées.

Chaque coupe-paraison porte un insigne de référence gravé, vous pouvez donc retracer les rotations.

**IMPORTANT :** Lors du remplacement ou de la rotation des paraisons, nettoyez la sciure sur la vis, la paraison et sur la plateforme de la tête de la découpeuse. L'accumulation de la poussière entre ces éléments peut empêcher l'installation appropriée de la paraison et affecter la qualité de la coupe.

Avant d'installer chaque vis, enduisez légèrement le filetage des vis d'huile de machine et essuyez tout excès.

Serrez à fond chaque vis qui maintient les coupe-paraisons avant d'utiliser la raboteuse !

**⚠ AVERTISSEMENT** Assurez-vous que toutes les vis de coupe-paraison sont bien serrées. Des paraisons desserrées peuvent être propulsées par une tête de découpeuse pivotant à haute vitesse, provoquant ainsi des blessures.

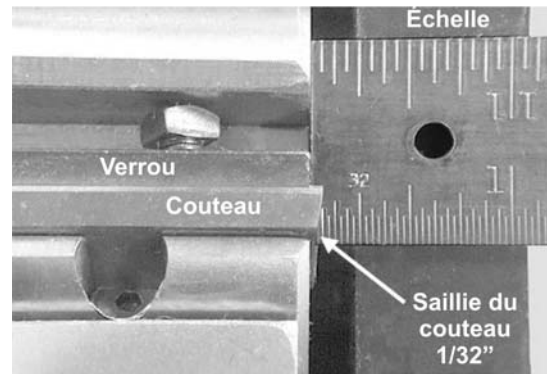


Figure 27

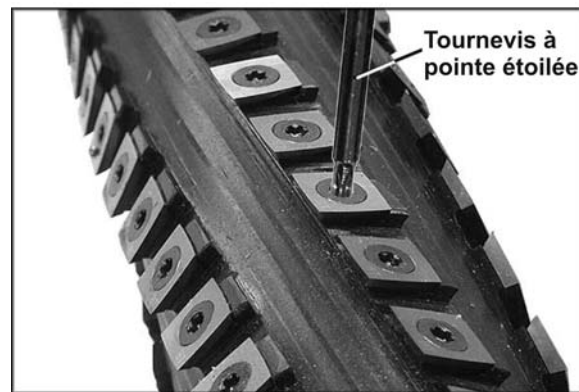


Figure 28

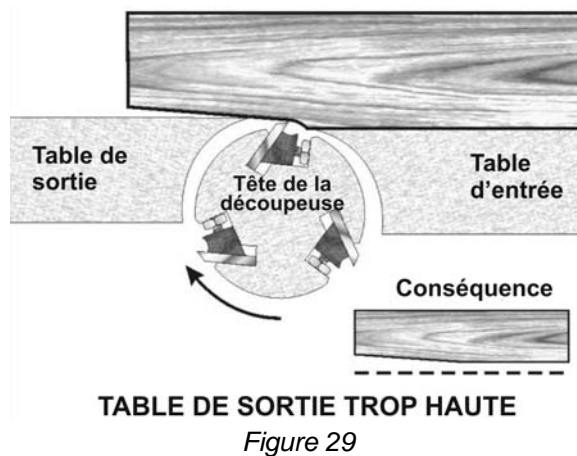
## Définition de la hauteur appropriée de la table

La section du réglage de la hauteur de la table de sortie vous donne des indications sur la méthode de réglage de la hauteur appropriée de la table par rapport aux couteaux de la tête de la découpeuse ou aux coupe-paraisons. Cette section décrit comment déterminer si la table de sortie nécessite un réglage à partir des coupes qui sont produites.

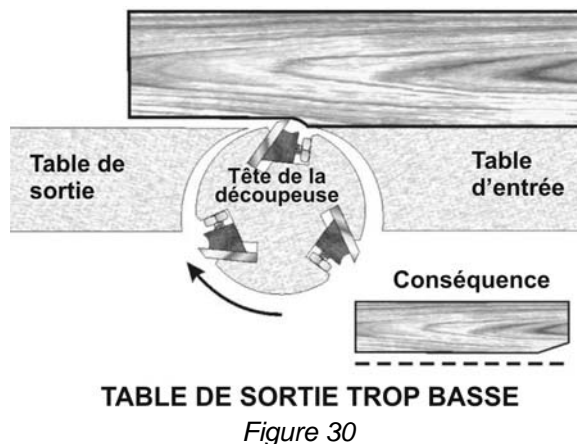
À la livraison de la dégauchisseuse, les couteaux sont déjà préréglés à l'usine. Cependant, la hauteur et le parallélisme des couteaux et de la table d'entrée doivent être vérifiées et tout réglage nécessaire effectué avant la mise en fonctionnement de la dégauchisseuse.

La table de sortie et les couteaux de la tête de la découpeuse (modèle 54A uniquement) sont bien réglés lorsque toutes les trois lames sont parallèles à la table de sortie et que toutes les trois lames sont réglées à la même hauteur dans la tête de la découpeuse.

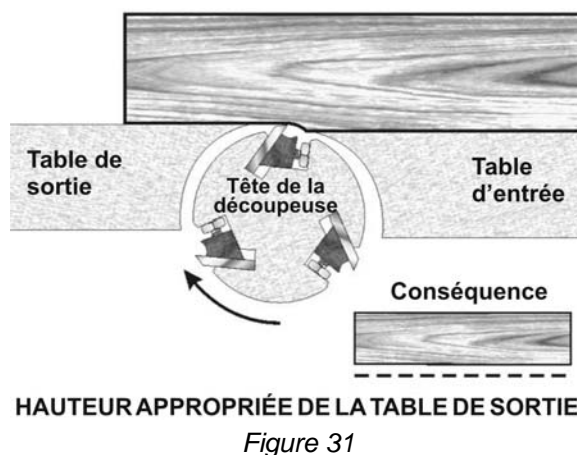
*Table de sortie trop haute* - si la table de sortie est trop haute, il en résulte une surface aux finitions arrondies (Figure 29).



*Table de sortie trop basse* - si la table de sortie est trop basse, le travail va donner une rainure ou un étirement à la fin de la coupe (Figure 30).

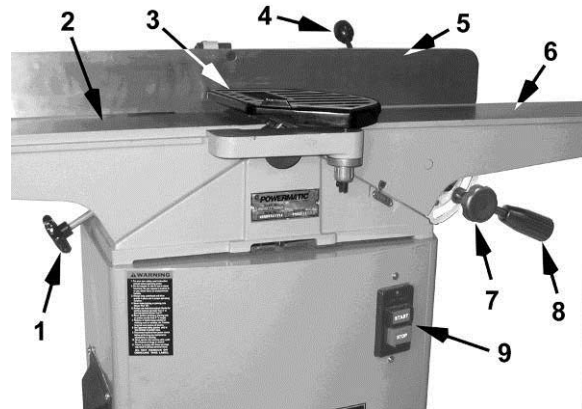


*Table de sortie correctement réglée* - la Figure 31 illustre le réglage adéquat du niveau de la table de sortie avec les couteaux. L'objet travaillé repose fermement sur les deux tables sans espace ouvert sous la coupe finie.



## Contrôles de fonctionnement

1. Roue manuelle de réglage de la hauteur de la table de sortie
2. Table de sortie
3. Protection de la découpeuse
4. Manche de réglage du guide
5. Guide
6. Table d'entrée
7. Bouton de blocage de la table d'entrée
8. Hauteur appropriée de la table d'entrée/réglage brut
9. Commutateur d'activation/désactivation
10. Blocage de la table d'entrée
11. Manche de blocage du déplacement de la protection
12. Manche de blocage d'inclinaison du guide
13. Blocage de la table de sortie
14. Limiteur de déplacement de la table d'entrée



Vue de face des commandes

Figure 32

## Fonctionnement

**IMPORTANT:** Assurez-vous que tous les couteaux ou les coupe-paraisons sont serrés avant d'utiliser la machine. Sur le modèle de la tête hélicoïdale, vérifier l'étanchéité de chaque insert (re-torque) avant d'utiliser la machine pour la première fois.

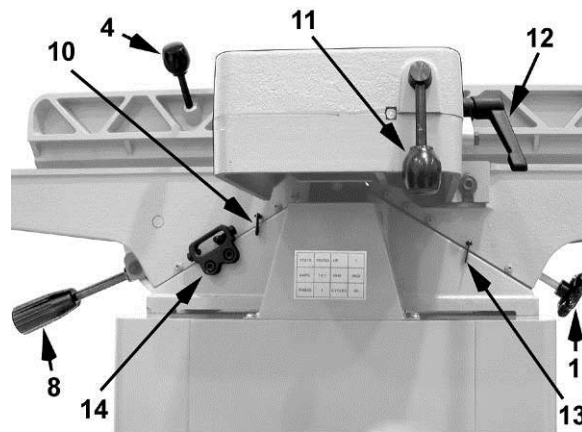
Si vous n'êtes expert en assemblage, utilisez des fragments de morceaux de bois de construction pour vérifier les réglages et prendre la pleine mesure des opérations avant d'essayer de travailler régulièrement.

Stabilisez les longs morceaux de bois en vous faisant assister par quelqu'un ou en utilisant des supports de rouleau installés au même niveau que la surface de la table d'entrée ou de sortie.

Le guide doit être réglé de sorte à créer un minimum de contact avec la tête de la découpeuse au cours de l'assemblage.

Procédez aux vérifications suivantes avant d'utiliser la dégauchisseuse.

- ❑ La table de sortie doit être réglée au même niveau que le point élevé des couteaux. Il s'agit d'un ancien calibrage et il est décrit dans la section *réglage de la hauteur de la table de sortie* en page 16.
- ❑ Le guide doit être réglé en vue d'un contact minimum avec la tête de la découpeuse et verrouillée à l'angle souhaité.
- ❑ La protection de la tête de la découpeuse doit être en position et fonctionner correctement (sauf en cas de coupe de rainures).



Vue arrière des commandes

Figure 33

- ❑ La table d'entrée doit être réglée selon la profondeur de coupe désirée. Référez-vous à la section *réglage de la hauteur de la table d'entrée* en page 15.
- ❑ Restez loin de la tête de la découpeuse et activez la machine pendant quelques temps. Prêtez l'oreille pour vous assurer qu'il n'y a pas de bruits bizarres, de frictions, de vibrations, etc. Corrigez ces problèmes avant d'entamer des opérations sur la dégauchisseuse.
- ❑ Vérifiez attentivement l'objet que vous travaillez pour voir s'il n'y a pas de nœuds, de trous, de clous ou de corps étrangers susceptibles d'endommager les couteaux ou de créer un risque de recul. Vérifiez également l'objet que vous travaillez pour voir l'orientation du grain.

## Opérations de base

Avant d'effectuer des coupes sur la bille, effectuez quelques exercices de coupes en soulevant la table d'entrée à "0" et en maintenant l'alimentation coupée. De cette façon, vous vous habituerez aux opérations avec la dégauchisseuse.

### Installation de la main

**⚠ AVERTISSEMENT** Ne passez jamais la main directement au-dessus de la tête de la découpeuse.

Au début de la coupe, la main gauche tient fermement l'objet que vous travaillez contre la table d'entrée et le guide tandis que la main droite pousse l'objet vers la tête de la découpeuse en un mouvement lent et équilibré (Figure 34). Après le début de la coupe, la nouvelle surface repose sur la table de sortie. La main gauche est transférée sur le côté de la sortie et appuie cette partie de l'objet, tout en maintenant un contact plat avec le guide. La main droite appuie l'objet vers l'avant et avant qu'elle atteigne la tête de la découpeuse, elle doit être déplacée vers l'objet travaillé sur la table de sortie.

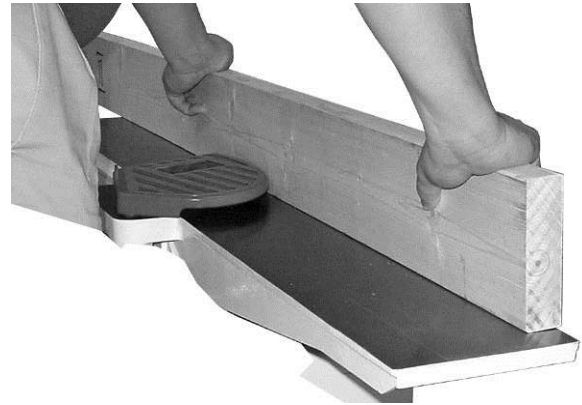


Figure 34

### Sens du grain

Évitez d'alimenter l'objet travaillé dans la dégauchisseuse contre le grain. Ceci risque de déboucher sur des pointes taillées et fendues. Voir la Figure 35. Alimentez la machine en grain afin d'obtenir une surface lisse, comme l'illustre la figure 36.

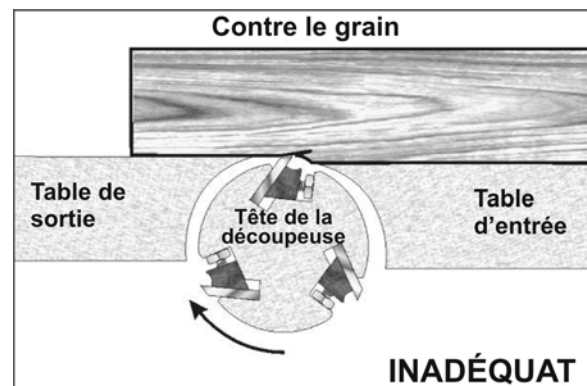


Figure 35

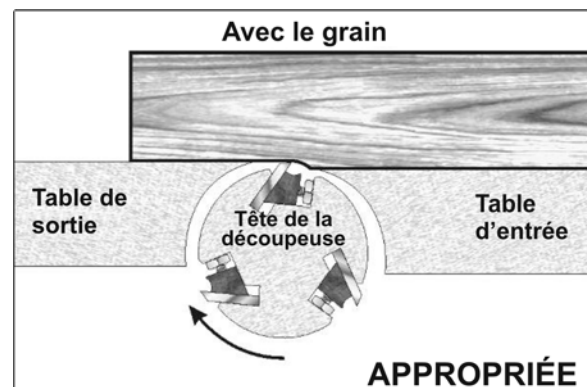


Figure 36

## Ponçage de surface

Le rabotage sur une dégauchisseuse a pour but de produire une surface plate. L'autre côté peut ensuite être broyé pour obtenir des dimensions précises, finales sur une raboteuse d'épaisseur résultant ainsi en un panneau lisse et plat sur les deux côtés, chaque côté étant parallèle à l'autre.

- ❑ Si le bois à assembler est couvert ou incliné, placez le côté concave vers le bas et supprimez les coupes légères jusqu'à ce que les surfaces soient plates.
- ❑ Utilisez des cales de poussée pour protéger les mains du contact avec la tête de la découpeuse en cas de recul.
- ❑ Ne dégauchissez des morceaux de bois en dessous de 12 pouces ou d'une épaisseur inférieure à 3/8 d'un pouce sans utiliser un outil spécial de maintien du bois.
- ❑ Ne dégauchissez jamais des pièces d'une épaisseur inférieure à 3 pouces sans utiliser une cale de poussée.
- ❑ Sur des billes de plus de 12 pouces, utilisez deux cales de poussée (Figure 37).

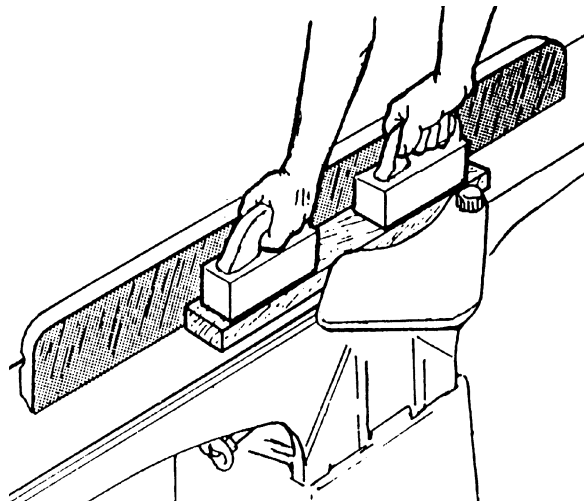


Figure 37

- ❑ Avec des billes étroites, utilisez le type de cale de poussée illustré sur la Figure 38.

**ATTENTION** Lorsque la bille est deux fois plus longue que les tables d'entrée et de sortie, un autre assistant ou une table de support doit être utilisé pour soutenir la bille.

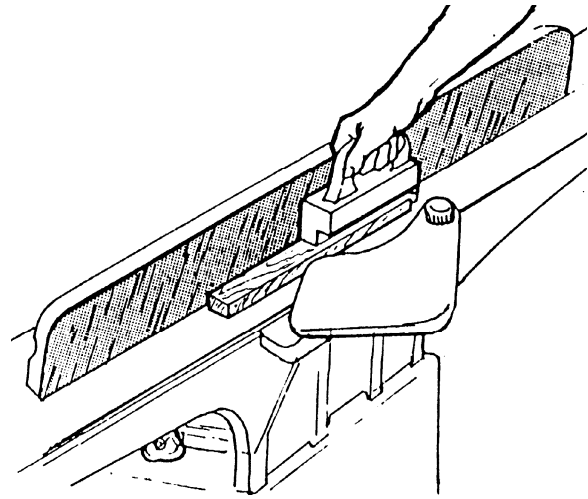


Figure 38

## Assemblage

L'assemblage (ou délignage) est le processus de création d'une surface à bord poli, plat appropriée à la menuiserie ou à la finition. Il s'agit également d'une étape importante avant de scier la bille en large sur une scie de table.

- ❑ Ne délignez jamais un panneau mesurant moins de 3 pouces, moins d'1/4 de pouce d'épaisseur ou 12 pouces de long sans utiliser une cale de poussée.
- ❑ Lorsque vous délignez un morceau de bois d'une largeur supérieure à 3 pouces, entreposez les doigts au dessus du bois, en les déployant vers l'arrière sur le guide de sorte qu'ils agissent comme un arrêt des mains en cas de recul.
- ❑ Placez le guide (déplacez vers l'avant) afin d'exposer seulement le volume de la tête de découpeuse requis.

**ATTENTION** Au cas où l'objet travaillé est deux fois plus long que la table d'entrée ou de sortie de la dégauchisseuse, utilisez un support pour la table d'entrée ou de sortie.

Pour déligner :

1. Assurez-vous que le guide est à 90°. Vérifiez à deux reprises à l'aide d'une équerre.
2. Inspectez la bille pour vérifier s'il est en bon état et le sens du grain (référez-vous à *Sens du grain* en page 23).
3. Si le panneau est incliné (arrondi), placez le bord concave vers le bas sur la table d'entrée.
4. Installez la table d'entrée pour une coupe d'environ 1/16 pouces.
5. Maintenez fermement la bille contre le guide et la table, alimentez la bille lentement et de façon équilibrée sur la tête de la découpeuse.



## Biseautage

Le biseautage d'une extrémité s'effectue de la même façon que l'assemblage d'une extrémité, sauf que le guide est incliné vers un angle spécifié.

- ❑ Assurez-vous que l'objet qui est biseauté a une longueur supérieure à 12 pouces, une épaisseur de plus de 1/4 de pouce et mesure 1 pouce de large.
- ❑ Bien que le guide soit incliné de l'intérieur vers l'extérieur, il est recommandé de l'incliner vers l'opérateur (comme l'illustre la Figure 39) pour des raisons de sécurité.

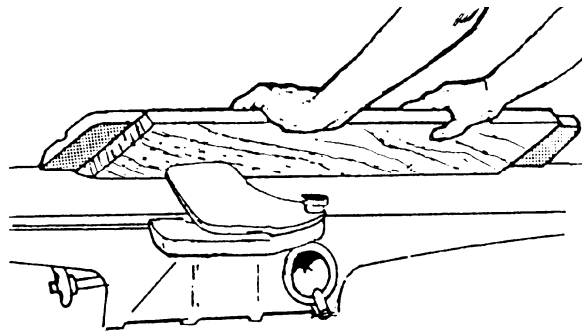


Figure 39

Pour tailler en biseau :

1. Utilisez un calibre de biseau pour déterminer l'angle souhaité. Puis, placez le guide sur le même angle.
2. Inspectez la bille pour vérifier s'il est en bon état et le sens du grain (référez-vous à *Sens du grain* en page 23).
3. Installez la table d'entrée pour une coupe d'environ 1/16.
4. Si le panneau est incliné (arrondi), placez le bord concave vers le bas sur la table d'entrée.
5. Alimentez la bille le long de la tête de la découpeuse, en vous assurant que la partie avant de la bille est complètement aplatie contre le guide et que l'extrémité touche bien les tables d'entrée et de sortie (Figure 39).

Pour un morceau de bois d'une largeur supérieure à 3 pouces – tenez en rapprochant les doigts du sommet de la bille, en entreposant le panneau et en déployant sur le guide.

Pour un morceau d'une largeur inférieure à 3 pouces – utilisez des cales de poussée biseautées et appliquez de la pression sur le guide. Gardez les doigts près du sommet de la cale de poussée (Figure 40).

Plusieurs passages peuvent être nécessaires pour effectuer un biseau complet.

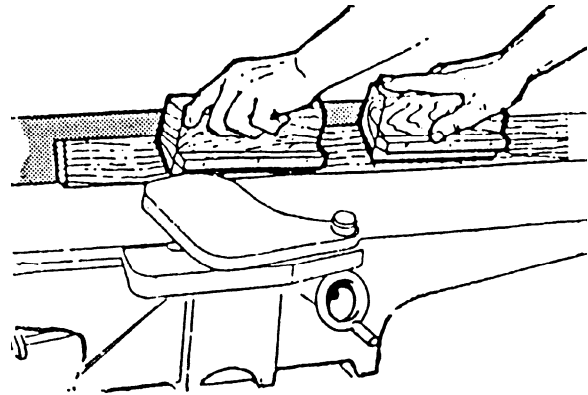


Figure 40

Lors du biseautage de matériaux courts, utilisez un biseau, maintenez-le et appliquez de la pression vers le guide. Gardez le pouce sur le rebord de la cale de maintien (Figure 41).

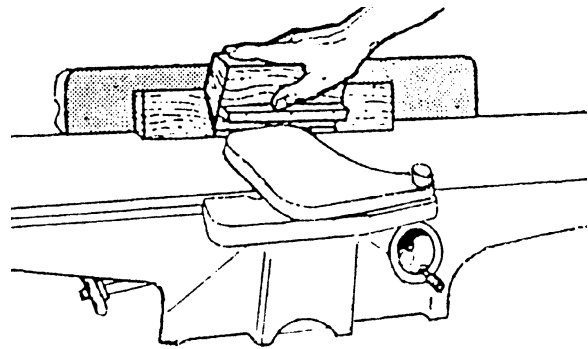


Figure 41

## Décalage (découpe au ciseau)

Lors du délignage ou de la coupe des ronces ou du bois d'érable, il n'est pas rare de dégrader ou d'abîmer la surface en cours de finition. Ceci est causé par la tête de la découpeuse qui coupe parfois contre le grain. Afin d'éviter de dégrader ou d'abîmer ce type de bois, il est nécessaire de décaler ou d'effectuer des finitions en angle, sur l'objet travaillé.

1. Relâchez le manche de blocage du guide et déposez les deux écrous hexagonaux et la rondelle plate qui maintiennent le guide à son support (voir Figure 3 en page 10). Déposez le guide.
2. Retirez la clé de la base du glissoir du guide.
3. Remplacez le dispositif du guide à l'angle souhaité en travers de la tête de la découpeuse. Immobilisez le guide sur le support à l'aide de deux écrous hexagonaux et d'une rondelle plate, puis serrez le manche de blocage du guide.

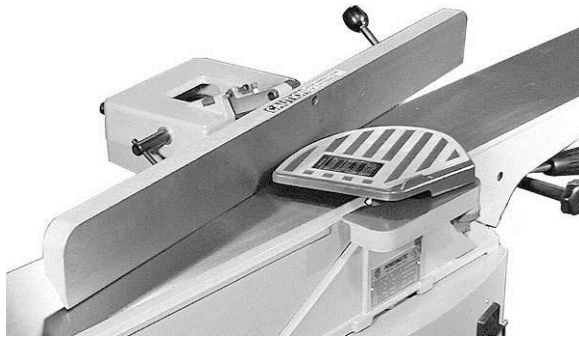


Figure 42

### Coupes de rainure (tête de la découpeuse droite uniquement)

**IMPORTANT :** Le refeuillement peut se faire uniquement avec la tête de découpeuse au couteau droit. Il est déconseillé de le faire avec la tête de découpeuse hélicoïdale.

Une rainure est une fente coupée le long de l'extrémité d'un panneau (Figure 43). Elle est généralement destinée à prendre un autre panneau afin de former un assemblage solide et simple.

**NOTE :** La profondeur maximale de la rainure est de 1/2".

1. Déconnectez la dégauchisseuse et retirez la protection de la tête de la découpeuse.
2. Desserrez le guide et faites-le coulisser sur l'extrémité coupée en rainure. Placez le guide sur la largeur souhaitée de la rainure et bloquez.
3. Inspectez la bille pour voir si elle est en bon état et le sens du grain.
4. Installez la bille sur la table d'entrée et la table de coupe de feuillure en plaçant fermement l'extrémité vers la rainure contre le guide.
5. Alimentez lentement et uniformément la tête de la découpeuse en bille.
6. Abaissez la table d'entrée à 1/16" une fois et effectuez des coupes successives jusqu'à ce que vous obteniez la profondeur désirée de la rainure.
7. Installez à nouveau la protection de la tête de la découpeuse lorsque vous avez terminé les opérations de coupe de feuillure.

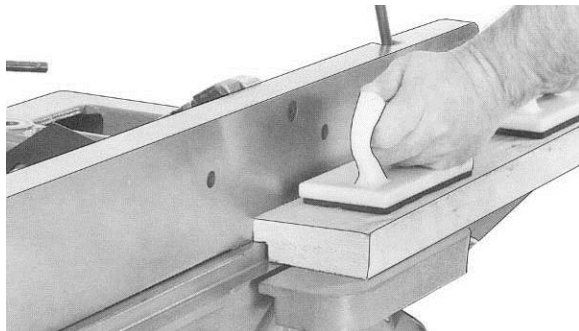


Figure 43

### Cales de poussée

Les cales de poussée sont des outils simples et cependant nécessaires qui assistent l'opérateur, surtout lors de l'assemblage d'une bille mince ou courte. Vous trouverez des illustrations de trois types de cales de poussée généralement utilisées sur la Figure 44. Vous pouvez acheter des cales de poussée ou les faire fabriquer aisément.

Note : La dégauchisseuse 54A est fournie avec deux cales de poussée pour la bille d'alimentation.

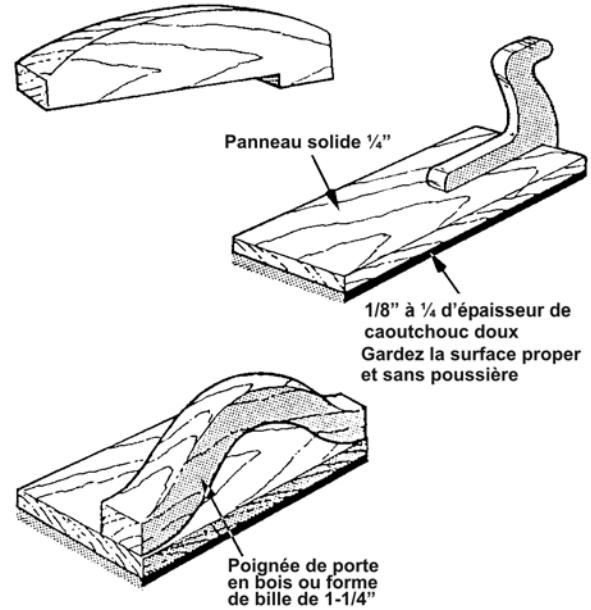


Figure 44

## Maintenance

### Entretien de la lame

**Les lames sont extrêmement tranchantes ! Soyez prudent lors du nettoyage ou du remplacement. Le non respect de cette consigne risque de provoquer des blessures graves !**

Lorsque la colle ou des bosses s'accumulent sur les lames, retirez-les prudemment avec un solvant fort. Le non retrait de l'accumulation de colle ou des bosses risque d'entraîner trop de frottements, l'usure de la lame et la surchauffe.

Lorsque les lames sont émoussées, placez-les sur leur nouveau tranchant ou remplacez-les.

### Graissage

- ❑ Utilisez une graisse légère de bonne qualité sur les vis de réglage d'acier situées dans les mécanismes de levage ou d'abaissement des tables de travail.
- ❑ Appliquez par moments, quelques gouttes d'huile légère de machine sur les verrous d'entrée et de sortie. Cela permet aux tables de coulisser aisément.

Les roulements de bille de la tête de la découpeuse sont graissés à vie et ne nécessitent plus d'entretien.

## Dépose de la tête de la découpeuse

Tout le dispositif de la tête de la découpeuse peut être déposé pour être nettoyé ou pour remplacer le roulement ou la lame. Certains menuisiers prévoient une tête de la découpeuse de rechange avec des lames au cas où la tête de la découpeuse originale doit être réparée.

**⚠ AVERTISSEMENT** Les lames de la tête de la découpeuse sont tranchantes ! Soyez extrêmement prudent lors des opérations de dépose de la tête de la découpeuse. Le non respect de cette consigne risque de provoquer des blessures graves !

Pour retirer la tête de la découpeuse (y compris les roulements, les goujons et le boîtier) du moulage de base

En vous référant à la figure 45 :

1. Déconnectez la machine de la source d'énergie.
2. Déposez la protection de la lame avant (A) et la vis (B).

**⚠ ATTENTION** Bloquez le manche de blocage d'inclinaison du guide (D) afin d'éviter des blessures causées par les pièces mobiles lors du déplacement du dispositif.

3. Retirez les deux écrous de blocage (G) et la rondelle (F) immobilisant le dispositif du guide (C) au moulage de base du guide (E).
4. Soulevez le dispositif du guide (C) de la table et placez-le de côté.
5. Retirez la chute de poussière du côté gauche du support. Retirez la porte d'accès du coffret de l'arrière de la machine

En vous référant à la figure 46 :

6. À l'aide d'une clé hexagonale de 8 mm, desserrez deux vis à tête hexagonale sous le moulage de base du guide (E) qui maintient le moulage à la table (F). Retirez le moulage de base du guide et posez-le de côté.
7. Déposez les quatre vis et rondelles (A) qui maintiennent la protection de la courroie (B). Déposez la protection de la courroie.
8. À l'aide d'une clé de 14 mm, déposez les deux vis (A, Fig. 47) et les rondelles de blocage qui maintiennent les boîtiers du roulement de la tête de la découpeuse à la base.

**NOTE :** Ces vis et les rondelles de blocage sont plus facilement accessibles à travers la chute de poussière.

9. À l'aide d'une clé hexagonale de 3 mm, desserrez les deux vis de réglage qui maintiennent la poulie de la tête de la découpeuse (D) à l'arbre de la découpeuse. N'essayez pas de retirer la poulie avec la courroie à ce moment.
10. Faites glisser la poulie de l'arbre de la tête de la découpeuse avec la courroie trapézoïdale.

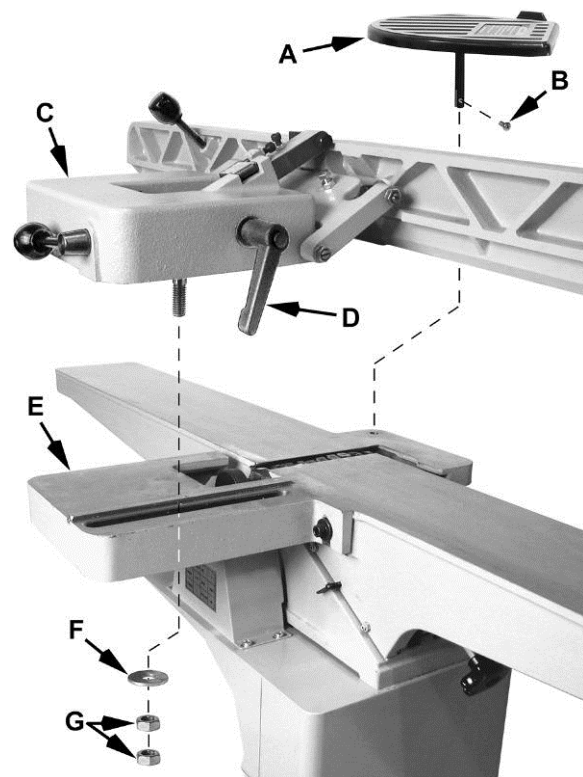


Figure 45

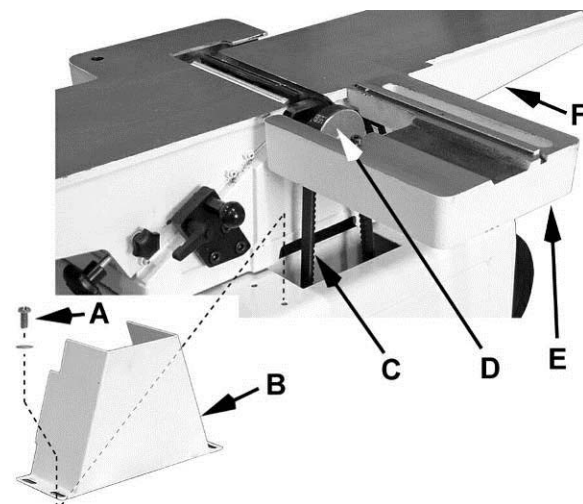


Figure 46

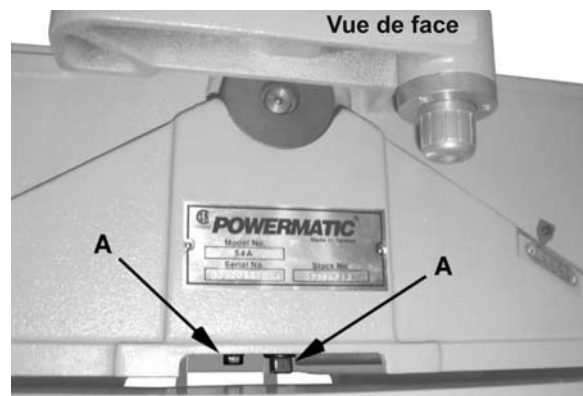


Figure 47

Placez la poulie, la clé de l'arbre et la courroie trapézoïdale de côté.

11. Déposez prudemment la tête de la découpeuse (A, Fig. 48).
12. Avant de replacer la nouvelle tête de la découpeuse dans le moulage, nettoyez à fond la « selle » et les boîtiers de roulement de la sciure et de la graisse afin qu'ils adhèrent correctement.
13. Pour réinstaller la tête de la découpeuse, faites l'inverse des étapes décrites ci-dessus.

**NOTE :** Lors du maintien du *moulage de la base du guide*, assurez-vous qu'il est au même niveau que la table de sortie.

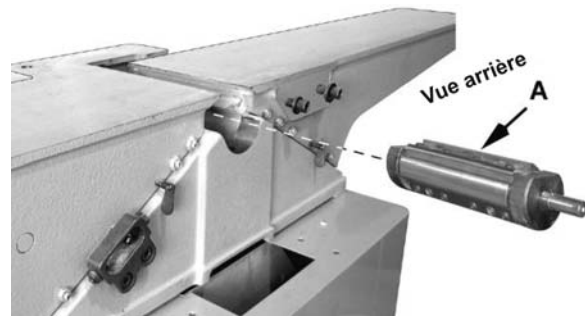


Figure 48

## Dépannage des problèmes fonctionnels

Anomalies	Cause possible	Solution
La bille achevée est concave sur le bord arrière.	Le couteau est plus haut que la table de sortie.	Soulevez la table de sortie jusqu'à ce qu'elle occupe la même ligne que le bout du couteau. Voir <i>réglage de la hauteur de la table de sortie</i>
La bille achevée est concave sur le bord avant.	La table de sortie est plus haute que le couteau.	Abaissez la table de sortie jusqu'à ce qu'elle occupe la même ligne que le bout du couteau. Voir <i>réglage de la hauteur de la table de sortie</i>
Burine.	Coupe contre le grain.	Coupez à l'aide du grain si possible.
	Couteaux émoussés.	Aiguissez ou remplacez les couteaux.
	Alimente trop rapidement l'objet travaillé.	Adoptez une vitesse d'alimentation plus lente.
	Coupe trop profonde.	Effectuez des coupes peu profondes.
	Présence de noeuds, d'imperfections dans le bois.	Inspectez le bois attentivement pour voir s'il y a des imperfections, utilisez une bille différente si nécessaire.
Grain touffu.	Le bois est trop humide.	Laissez-le sécher ou utilisez une autre bille.
	Couteaux émoussés.	Aiguissez ou remplacez les couteaux/paraisons.
Tête de la découpeuse lente lors du fonctionnement.	Alimente l'objet travaillé trop rapidement ou exerce trop de pression sur l'objet travaillé.	Alimentez plus lentement ou exercez moins de pression sur l'objet.
Marques de « bavardage » sur l'objet travaillé.	Couteaux mal réglés.	Réglez bien les couteaux comme décrit dans la section <i>réglage des couteaux de la tête de la découpeuse</i> . Vérifiez que les fentes de couteaux ne contiennent pas de poussière ou de débris.
	Alimente trop rapidement l'objet travaillé.	Alimentez la pièce lentement et de façon consistante.
Marques irrégulières de couteaux sur la pièce.	Les couteaux sont encochés ou ne sont pas alignés.	Alignez les couteaux suivant la section <i>réglage des couteaux de la tête de la découpeuse</i> . Remplacez les couteaux encochés ou corrigez les petites encoches—voir <i>réglage des couteaux pour la coupe de feuillure et les encoches</i> .

## Dépannage des problèmes mécaniques et électriques

Anomalies	Cause possible	Solution
La machine ne démarre/redémarre pas ou déclenche de des courts-circuits ou grille des fusibles à maintes reprises.	La machine ne reçoit pas d'énergie	Vérifiez si l'unité est connectée à une source d'énergie, si le bouton d'activation est bien enfoncé et si le bouton d'arrêt est désactivé.
	Le compartiment du disjoncteur se déclenche ou le fusible grille.	Vérifiez que la dégauchisseuse est sur un circuit de taille correcte. Si la taille du circuit est correcte alors, il y a probablement un fil électrique déconnecté. Vérifiez le paramètre amp sur le démarreur du moteur.
	Panne de commutateur ou de moteur (comment distinguer).	Si vous disposez d'un voltmètre, vous pouvez différencier une panne de commutateur d'une panne de moteur en vérifiant tout d'abord la tension d'entrée à 110/220+/-10% et ensuite en vérifiant la tension entre le commutateur et le moteur à 110/220+/-10%. Si la tension d'entrée est inappropriée, alors vous avez un problème de source d'énergie. Si la tension entre le commutateur et le moteur est inappropriée, alors vous avez un défaut de commutateur. Si la tension entre le commutateur et le moteur est correcte, alors vous avez un problème avec le moteur.
	Moteur surchauffé.	Débarrassez le moteur de la poussière et des débris pour faciliter une bonne circulation de l'air. Laissez le moteur refroidir avant de le redémarrer.
	Panne de moteur.	Si le moteur électrique est bizarre, vous avez deux options : faire tester le fonctionnement du moteur par un électricien qualifié ou retirer le moteur et l'amener chez un bon réparateur de moteur électrique et le faire tester.
	Unité mal connectée.	Vérifiez deux fois pour confirmer que toutes les connexions électriques sont correctes. Reportez-vous à la section <i>schéma de circuit électrique</i> pour effectuer les modifications nécessaires.
	Défaut du commutateur d'activation/désactivation.	Si le commutateur d'activation/désactivation est bizarre, vous avez deux options : faire tester le commutateur par un électricien qualifié pour voir s'il fonctionne bien ou acheter un nouveau commutateur d'activation/désactivation et déterminer la nature du problème au moment du changement.

### Accessoires en option

2004017 ..Adaptateur du collecteur de poussière  
 2042374 ..... Base mobile  
 708801DX ..... Couteaux (jeu de 3)  
 1791212 ..... Coupe-paraisons (jeu de 10)  
 6285991 ..... Trousses à outils

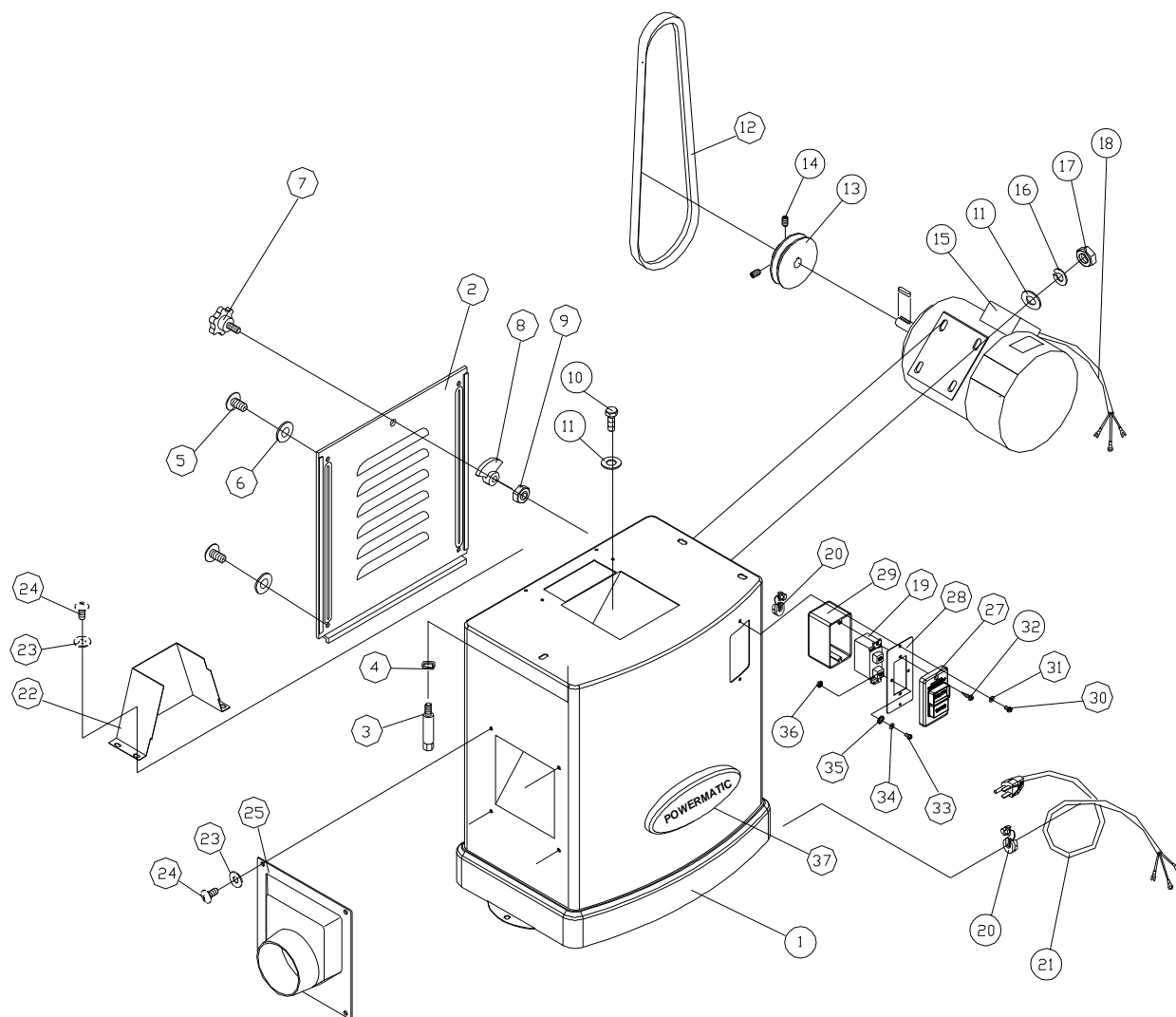
### Pièces de rechange

Pour commander des pièces ou contacter notre département d'entretien, appelez au 1-800-274-6848, de lundi à vendredi (voir notre site Internet pour les horaires de travail : [www.powermatic.com](http://www.powermatic.com)). Si vous connaissez le numéro du modèle et le numéro de série de votre machine au moment où vous nous appelez, cela nous permettra de vous servir rapidement et avec précision.

## Support – liste des pièces (Tous les modèles)

N° d'indice	N° de la pièce	Description	Taille	Qté.
.....	6296131	Dispositif du support		1
1.....	6296121	Support		1
2.....	6285974	Porte		1
3.....	6285822	Boulon de blocage		3
4.....	6285852	Rondelle à ressort	3/8 x 5/8	3
5.....	6296122	Vis	1/8-40 x 3/8	4
6.....	6296123	Rondelle plate	1/8 x 3/8 x 1/32	4
7.....	6285975	Bouton de vis		1
8.....	6285976	Blocage de porte		1
9.....	6285977	Écrou hexagonal	3/8-16	1
10.....	6285980	Vis hexagonale	5/16-18 x 3/4	4
11.....	6285805	Rondelle plate	5/16 x 3/4 x 1/16	8
12.....	6296124	Courroie trapézoïdale		1
13.....	6296125	Poulie du moteur		1
14.....	6285865	Vis de réglage	1/4-20 x 1/4	2
15.....	6296126	Moteur	1HP, 1PH, 115/230V	1
16.....	6285988	Rondelle à ressort	5/16 x 5/8	4
17.....	6285966	Écrou hexagonal	5/16-18	1
18.....	6296127	Rallonge du moteur		1
19.....	6296128	Commutateur		1
20.....	6285963	Allègement de contrainte	SB7R-1	1
21.....	6285962	Rallonge d'alimentation		1
22.....	6296129	Protection de la courroie		1
23.....	6285909	Rondelle	1/4-20 UNC x 1/2	8
24.....	6285910	Vis du manche	1/4-20 x 1/2	8
25.....	2004017	Chute de poussière		1
26.....	6285978	Clé	5 x 5 x 30	1
27.....	6296133	Bouton poussée du commutateur		1
28.....	6296134	Couvercle du commutateur		1
29.....	6296135	Boîte de commutateur		1
30.....	6296136	Vis à tête cylindrique large	#10-24 x 1/2	2
31.....	6296137	Rondelle	3/16 x 1/2 x 1/32	2
32.....	6296138	Vis de machine	M4 x 1.59P x 38 mm	2
33.....	6296139	Vis à tête cylindrique large	#8-32 x 5/8	2
34.....	6296140	Rondelle plate	5/32 x 3/8 x 1/32	2
35.....	6296141	Rondelle en étoile	BW-4 (5/32 x 3/8)	2
36.....	6296142	Écrou	#8-32	1
37.....	3520B-140	Plaque de fabrication		1
38.....	6296150	Étiquette d'avertissement		1
39.....	PM2700-440	Large rayure (non illustrée)		vendu par pi.
40.....	PM2700-441	Rayure étroite (non illustrée)		vendu par pi.

## Support – dispositif (Tous les modèles)



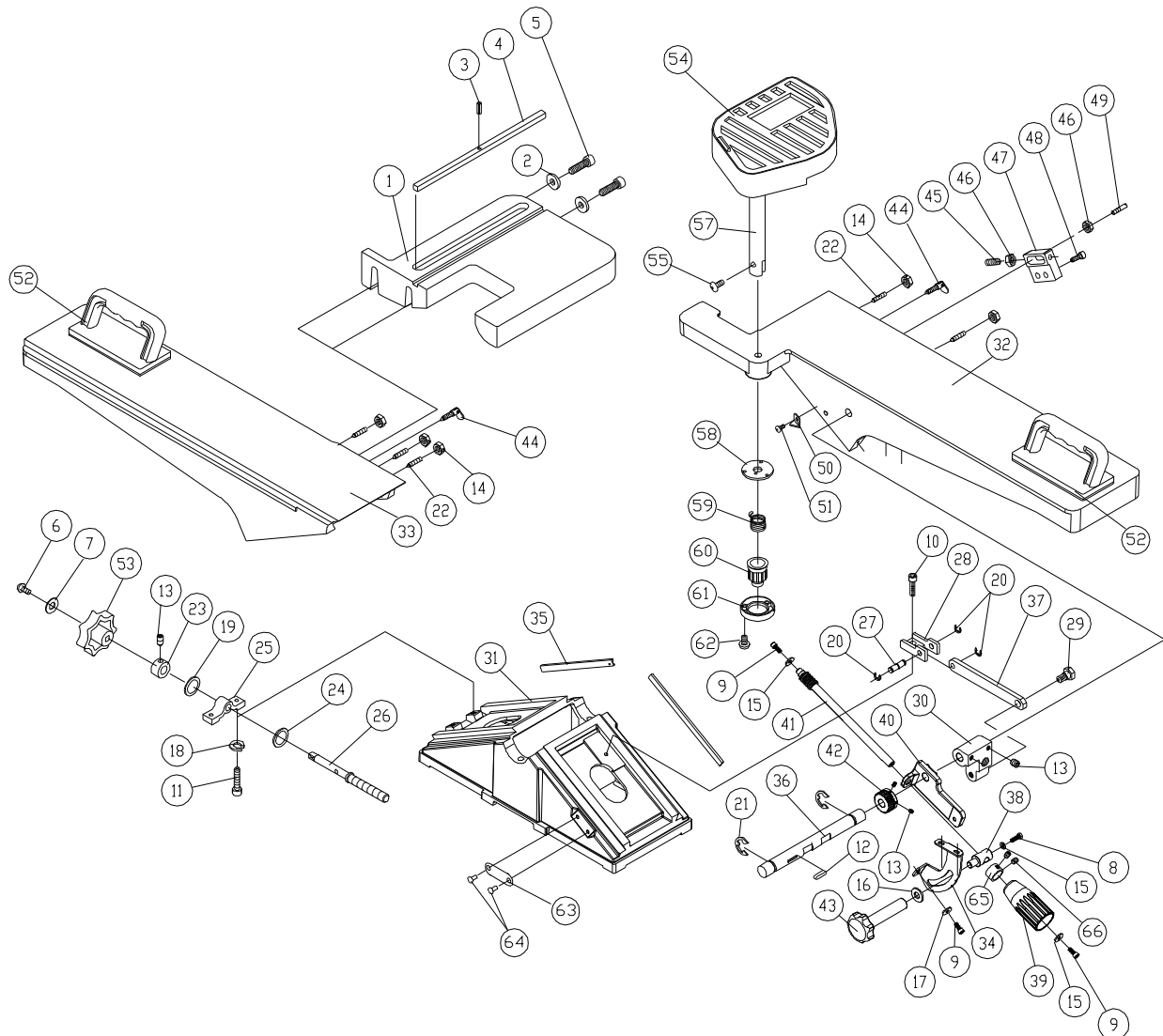
## Lit – liste de pièces (Tous les modèles)

N° d'indice	N° de la pièce	Description	Taille	Qté.
1.....	6296086.....	Glissoir de base.....		1
2.....	6296087.....	Rondelle.....	3/8 x 1 x 5/32.....	4
3.....	6296088.....	Broche du ressort.....	4 mm dia. x 14 mm Lg.....	1
4.....	6296089.....	Clé.....	9,5 mm x 273 mm.....	1
5.....	6285931.....	Vis de tête.....	3/8-16 x 1-1/2.....	2
6.....	6285910.....	Vis du manche.....	1/4-20 x 1/2.....	10
7.....	TS-0680021.....	Rondelle.....	1/4.....	2
8.....	6296091.....	Vis hexagonale.....	1/4-20 x 3/4.....	1
9.....	6296092.....	Vis de bouchon à tête creuse.....	1/4-20 x 1/2.....	5
10.....	TS-0208041.....	Vis de bouchon à tête creuse.....	5/16-18 x 3/4.....	1
11.....	TS-0208101.....	Vis de bouchon à tête creuse.....	5/16-18 x 2.0.....	2
12.....	6296094.....	Clé.....	5 mm x 5 mm x 20 mm.....	1
13.....	6285907.....	Vis de réglage.....	1/4-20 x 3/8.....	4
14.....	6285902.....	Écrou hexagonal.....	1/4-20.....	5
15.....	6296144.....	Rondelle plate.....	1/4 x 1/2 x 1/32.....	3
16.....	6296066.....	Rondelle plate.....	13 mm x 28 mm x 3 mm.....	1
17.....	6296095.....	Rondelle à ressort.....	6,5 mm x 12,8 mm.....	3
18.....	6285911.....	Rondelle à ressort.....	8,2 mm x 15,4 mm.....	2
19.....	6296096.....	Rondelle ondulée.....	12,6 mm x 16,8 mm.....	1
20.....	6296015.....	Anneau de blocage.....	ETW-6.....	3
21.....	6296022.....	Anneau de blocage.....	ETW-12.....	2
22.....	6285901.....	Vis de réglage.....	1/4-20 NC x 1.....	5
23.....	6285906.....	Bague d'arrêt.....		1
24.....	6285904.....	Rondelle.....		1
25.....	6285905.....	Support.....		1
26.....	6285903.....	Vis de fixation.....		1
27.....	6296097.....	Arbre.....		1
28.....	6296098.....	Support de blocage.....		1
29.....	6296099.....	Boulon.....		1
30.....	6296100.....	Support.....		1
31.....	6296101.....	Base.....		1
32.....	6296102.....	Table avant.....		1
33.....	6296103.....	Table arrière.....		1
34.....	6296104.....	Plaque.....		1
35.....	6296105.....	Verrou.....		2
36.....	6296106.....	Arbre.....		1
37.....	6296107.....	Plaque.....		1
38.....	6296108.....	Plaque de blocage.....		1
39.....	6296109.....	Manche.....		1
40.....	6296110.....	Base de réglage.....		1
41.....	6296111.....	Arbre de vis sans fin.....		1
42.....	6296112.....	Vis sans fin.....		1
43.....	6296113.....	Écrou.....		1
44.....	6285900.....	Vis.....		2
45.....	6296060.....	Vis de réglage.....	5/16-18 x 3/4.....	2
46.....	6285966.....	Écrou hexagonal.....	5/16-18.....	3
47.....	6296114.....	Cale de réglage.....		1
48.....	6296014.....	Vis de tête.....	5/16-18 x 3/4.....	2
49.....	6296115.....	Goujon pivot.....		1
50.....	6296116.....	Pointe.....		1
51.....	6296117.....	Vis à tête cylindrique large.....	5/32-32 x 1/4.....	1
52.....	6285917.....	Cale de poussée.....		2
53.....	6285908.....	Roue.....		1
54.....	6296145.....	Protection de la tête de la découpeuse.....		1
55.....	TS-1533032.....	Vis à tête cylindrique large.....	M5 x 10 mm.....	1
57.....	6285892.....	Poste de la tête.....		1



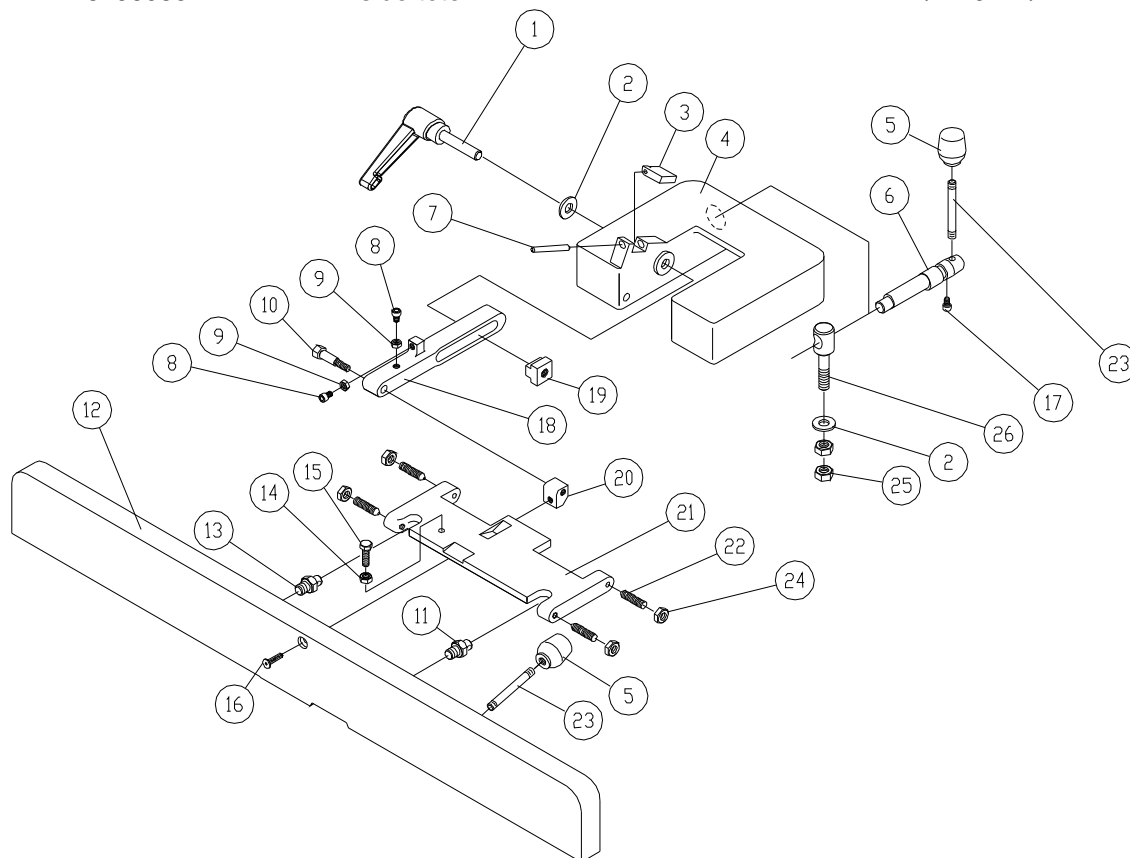
## Lit – liste de pièces (Tous les modèles)

N° d'indice	N° de la pièce	Description	Taille	Qté.
58	6285893	Rondelle		1
59	6285894	Ressort		1
60	6285895	Bouton		1
61	6285896	Dispositif de retenue		1
62	6285897	Vis	5/32-32 x 5/8	3
63	6296147	Échelle de profondeur		1
64	6296148	Rivet		2
65	6296151	Bague d'arrêt		1
66	6296152	Vis de réglage	1/4-20 UNC x 1/4	2



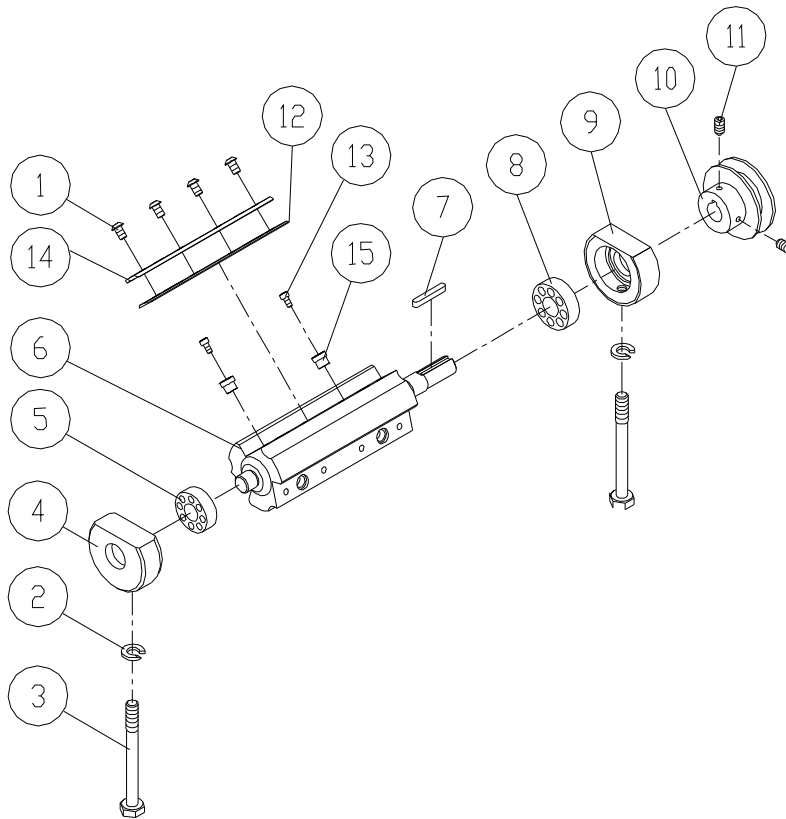
## Guide – listes des pièces et dispositif (Tous les modèles)

N° d'indice	N° de la pièce	Description	Taille	Qté.
.....	6296130.....	Dispositif du guide.....		1
1.....	6296143.....	Boulon de verrouillage.....		1
2.....	6296066.....	Rondelle plate.....	13mm x 28mm x 3mm	2
3.....	6296067.....	Cale d'arrêt.....		1
4.....	6296068.....	Support du guide.....		1
5.....	6285945.....	Bouton.....		2
6.....	6296069.....	Arbre de blocage.....		1
7.....	6296070.....	Broche.....	∅5mm x 50mm	1
8.....	6296071.....	Vis de tête.....	1/4-20 x 1-1/4	2
9.....	6296072.....	Écrou hexagonal.....	1/4-20	2
10.....	6296073.....	Vis.....		1
11.....	TS-0561052.....	Écrou hexagonal.....	1/2-20UNF	2
12.....	6296075.....	Corps du guide.....		1
13.....	6285940.....	Goujon.....		2
14.....	6285966.....	Écrou hexagonal.....	5/16-18	1
15.....	6296077.....	Vis hexagonale.....	5/16-18 x 1-1/4	1
16.....	6296078.....	Vis hexagonale.....	5/16-18 x 1-1/2	1
18.....	6296080.....	Maillon de blocage.....		1
19.....	6296081.....	Écrou.....		1
20.....	6285947.....	Cale fixe.....		1
21.....	6296082.....	Maillon du guide.....		1
22.....	6285942.....	Vis à pointe en forme de cône.....		4
23.....	6285944.....	Goujon du manche.....		2
24.....	6285943.....	Écrou hexagonal.....	3/8-16	4
25.....	6296083.....	Écrou hexagonal.....	1/2-12NC	2
26.....	6296084.....	Boulon.....		1
27.....	6296085.....	Vis de tête.....	1/4-20 x 1/2	1



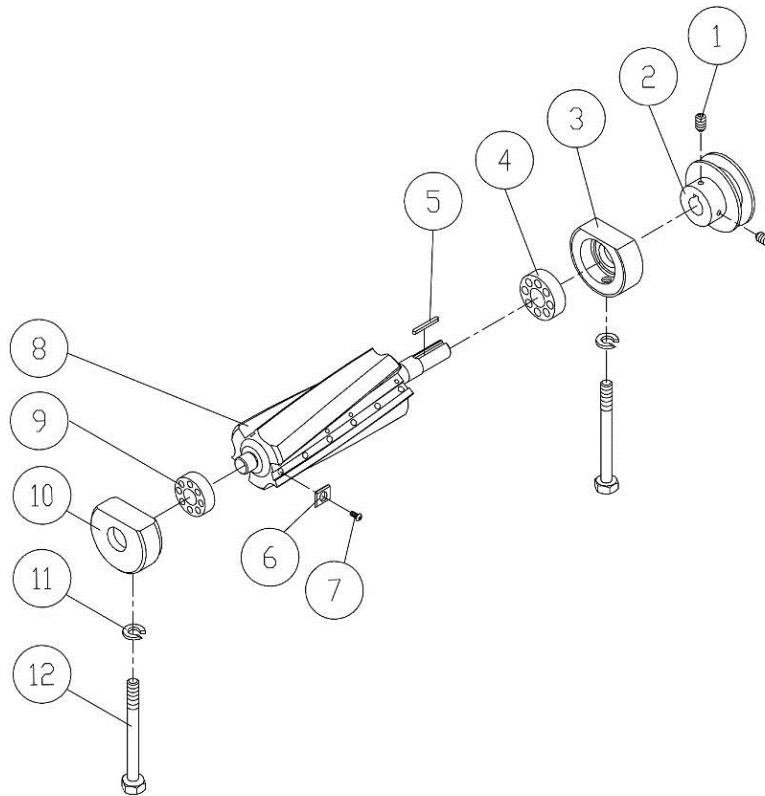
## Tête de la découpeuse – pièces et dispositif (modèle 54A uniquement)

N° d'indice	N° de la pièce	Description	Taille	Qté.
.....	JJ6CSDX-CA	Dispositif de la tête de la découpeuse (Indice #s 1-15)	.....	1
1.....	JJ6CSDX-101	Vis spéciale de prise de tête de bouton	.....	12
2.....	TS-0720091	Rondelle de blocage	3/8"	2
3.....	JEA-B01	Boulon	.....	2
4.....	3H-C02	Boîtier de roulement	.....	1
5.....	BB-6202ZZ	Roulement de balle	6202ZZ	1
6.....	JJ6CSDX-106	Tête de la découpeuse	.....	1
7.....	5F-G108	Clé	5x5x25	1
8.....	BB-6203ZZ	Roulement de balle	6203ZZ	1
9.....	JH-C04	Boîtier de roulement	.....	1
10.....	JH-C07	Poulie de la tête de la découpeuse	.....	1
11.....	TS-0267041	Vis de réglage creuse	1/4"-20x3/8"	2
12.....	708801DX	Couteaux pour JJ-6CSDX (jeu de 3)	.....	1
13.....	TS-1501021	Vis de bouchon de tête de la prise de courant	M4x8	6
14.....	JJ6CSDX-114	Barre de blocage du couteau*	.....	3
15.....	JJ6CSDX-115	Écrou de réglage	.....	6



## Tête de la découpeuse – pièces et dispositif (modèle 54HH uniquement)

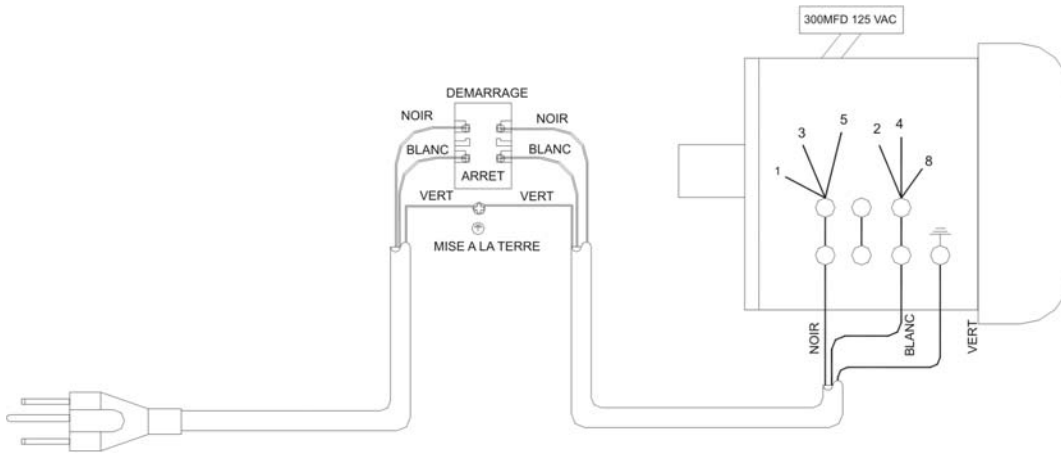
N° d'indice	N° de la pièce	Description	Taille	Qté.
.....	PM54HH-CA	Dispositif de la tête de la découpeuse (Indice # 1-12)	.....	1
1.....	TS-0267041	Vis de réglage creuse	1/4"-20x3/8	2
2.....	JH-C07	Poulie de la tête de la découpeuse	.....	1
3.....	JH-C04	Boîtier de roulement	.....	1
4.....	BB-6203VV	Roulement de balle.....	6203VV	1
5.....	5F-G108	Clé	5x5x25	1
.....	1791221-6	Unité hélicoïdale de la tête de la découpeuse (indice # 6 à 8)	.....	1
6.....	1791212	Coupe-paraison (jeu de 10)	.....	Total 40
7.....	JWP208HH-111	Vis de coupe-paraison	#10-32x1/2	40
8.....	PM54HH-108	Tête de la découpeuse hélicoïdale.....	.....	1
9.....	BB-6202VV	Roulement de balle.....	6202VV	1
10.....	3H-C02	Boîtier de roulement	.....	1
11.....	TS-0720091	Rondelle de blocage.....	3/8"	2
12.....	JEA-B01	Boulon hexagonale.....	3/8"-24x3-1/2"	2
13.....	JJ6HH-113	Tournevis à pointe étoilée (non illustré).....	.....	2



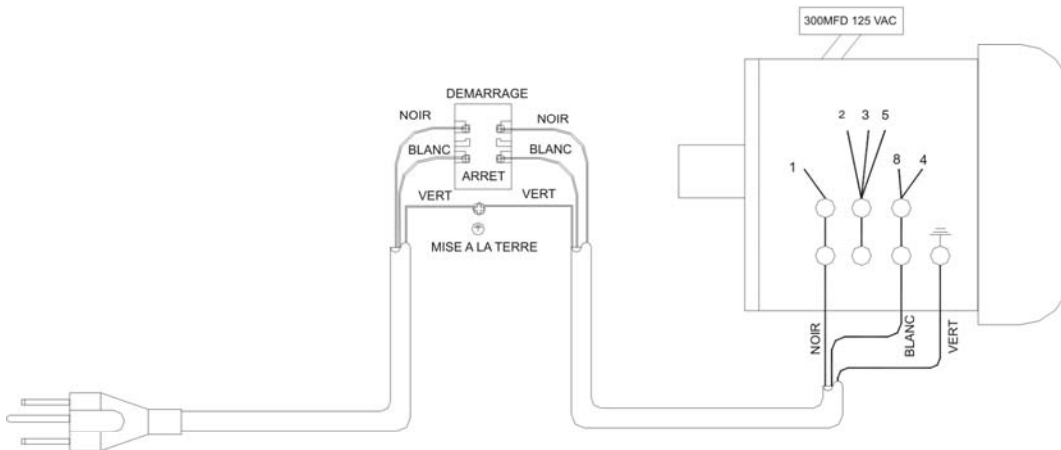
# Schémas de circuit électrique

Schéma de circuit électrique – série # 05060540312 et inférieur

## SCHEMA ELECTRIQUE - 115V



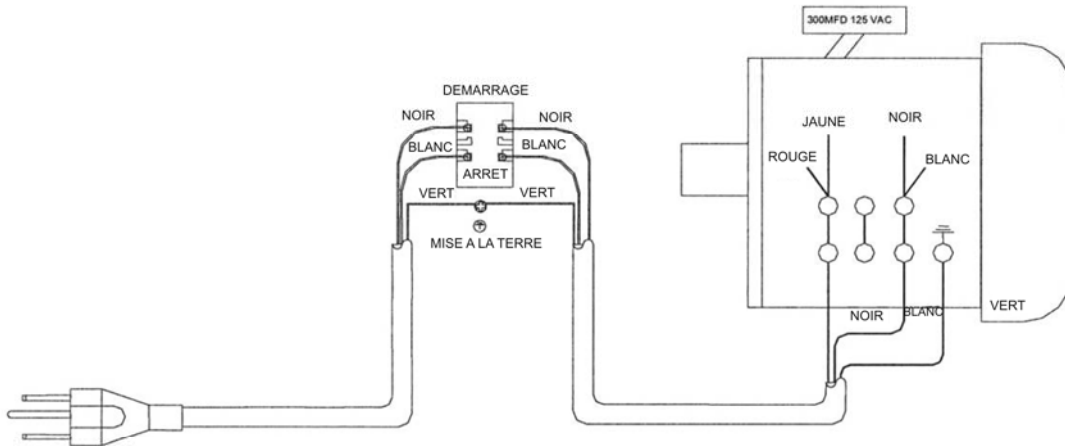
## SCHEMA ELECTRIQUE - 230V



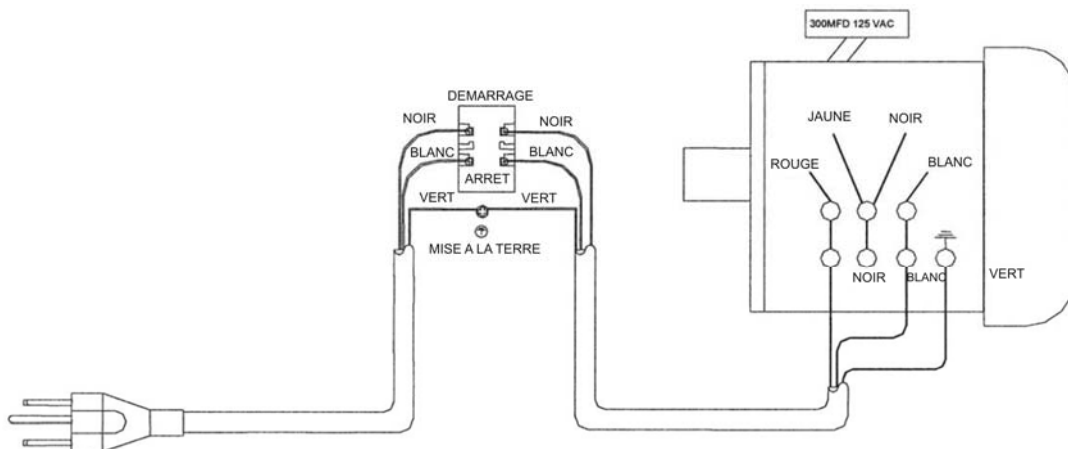
Série # 05060540312 et inférieur

Schéma de circuit électrique – série # 05060540313 et supérieur

SCHEMA ELECTRIQUE - 115V



SCHEMA ELECTRIQUE - 230V







427 New Sanford Road  
LaVergne, Tennessee 37086  
Téléphone : 800-274-6848  
[www.powermatic.com](http://www.powermatic.com)



## Free Manuals Download Website

<http://myh66.com>

<http://usermanuals.us>

<http://www.somanuals.com>

<http://www.4manuals.cc>

<http://www.manual-lib.com>

<http://www.404manual.com>

<http://www.luxmanual.com>

<http://aubethermostatmanual.com>

Golf course search by state

<http://golfingnear.com>

Email search by domain

<http://emailbydomain.com>

Auto manuals search

<http://auto.somanuals.com>

TV manuals search

<http://tv.somanuals.com>