

POWERMATIC®

Operating Instructions and Parts Manual 10" Contractor's Tablesaw Model 64A



Model 1791228K shown (50" rails, wood extension table and legs)



WMH TOOL GROUP, Inc.

2420 Vantage Drive
Elgin, Illinois 60124
Ph.: 800-274-6848
www.powermatic.com

Part No. M-0460250

Revision H 3/08

Copyright © 2008 WMH Tool Group, Inc.

Warranty and Service



WMH Tool Group, Inc., warrants every product it sells. If one of our tools needs service or repair, one of our Authorized Service Centers located throughout the United States can give you quick service. In most cases, any of these WMH Tool Group Authorized Service Centers can authorize warranty repair, assist you in obtaining parts, or perform routine maintenance and major repair on your POWERMATIC® tools. For the name of an Authorized Service Center in your area call 1-800-274-6848.

MORE INFORMATION

WMH Tool Group is consistently adding new products to the line. For complete, up-to-date product information, check with your local WMH Tool Group distributor, or visit powermatic.com.

WARRANTY

POWERMATIC products carry a limited warranty which varies in duration based upon the product.

	Industrial Products Horizontal Panel Saws Cut Off Saws Rip Saws Bandsaws Jointers Planers Oscillating Edge Sanders	Belt Sanders Shapers Power Feeders Mortisers Dovetailers		Non-Industrial Products Tablesaws Vertical Panel Saws Bandsaws Jointers Planers Planer/Molder Dust Collection	Disc Sanders Edge Sanders Drum Sanders Shapers Drill Press's Mortisers Dovetailers
---	--	--	--	---	--

Warranty reverts to 1 Year if above products are used for commercial, industrial or educational purposes

WHAT IS COVERED?

This warranty covers any defects in workmanship or materials subject to the exceptions stated below. Cutting tools, abrasives and other consumables are excluded from warranty coverage.

WHO IS COVERED?

This warranty covers only the initial purchaser of the product.

WHAT IS THE PERIOD OF COVERAGE?

The general POWERMATIC warranty lasts for the time period specified in the product literature of each product.

WHAT IS NOT COVERED?

The Five Year Warranty does not cover products used for commercial, industrial or educational purposes. Products with a Five Year Warranty that are used for commercial, industrial or education purposes revert to a One Year Warranty. This warranty does not cover defects due directly or indirectly to misuse, abuse, negligence or accidents, normal wear-and-tear, improper repair or alterations, or lack of maintenance.

HOW TO GET SERVICE

The product or part must be returned for examination, postage prepaid, to a location designated by us. For the name of the location nearest you, please call 1-800-274-6848.

You must provide proof of initial purchase date and an explanation of the complaint must accompany the merchandise. If our inspection discloses a defect, we will repair or replace the product, or refund the purchase price, at our option.

We will return the repaired product or replacement at our expense unless it is determined by us that there is no defect, or that the defect resulted from causes not within the scope of our warranty in which case we will, at your direction, dispose of or return the product. In the event you choose to have the product returned, you will be responsible for the handling and shipping costs of the return.

HOW STATE LAW APPLIES

This warranty gives you specific legal rights; you may also have other rights which vary from state to state.

LIMITATIONS ON THIS WARRANTY

WMH TOOL GROUP LIMITS ALL IMPLIED WARRANTIES TO THE PERIOD OF THE LIMITED WARRANTY FOR EACH PRODUCT. EXCEPT AS STATED HEREIN, ANY IMPLIED WARRANTIES OR MERCHANTABILITY AND FITNESS ARE EXCLUDED. SOME STATES DO NOT ALLOW LIMITATIONS ON HOW LONG THE IMPLIED WARRANTY LASTS, SO THE ABOVE LIMITATION MAY NOT APPLY TO YOU.

WMH TOOL GROUP SHALL IN NO EVENT BE LIABLE FOR DEATH, INJURIES TO PERSONS OR PROPERTY, OR FOR INCIDENTAL, CONTINGENT, SPECIAL, OR CONSEQUENTIAL DAMAGES ARISING FROM THE USE OF OUR PRODUCTS. SOME STATES DO NOT ALLOW THE EXCLUSION OR LIMITATION OF INCIDENTAL OR CONSEQUENTIAL DAMAGES, SO THE ABOVE LIMITATION OR EXCLUSION MAY NOT APPLY TO YOU.

WMH Tool Group sells through distributors only. The specifications in WMH catalogs are given as general information and are not binding. Members of WMH Tool Group reserve the right to effect at any time, without prior notice, those alterations to parts, fittings, and accessory equipment which they may deem necessary for any reason whatsoever.

Table of Contents

Warranty and Service	2
Table of Contents	3
Warning.....	4
Introduction	6
Specifications	6
Electrical Connections	7
Unpacking	9
Contents of the Shipping Container	9
Installation and Assembly	10
Stand Assembly	10
Mounting Saw to Stand	11
Handwheels and Lock Knobs	12
Mounting the Motor	12
Mounting Blade Guard and Splitter	14
Saw Blade Installation	14
Mounting Table Insert	15
Mounting Extension Wings	15
Mounting Rails and Accu-Fence®	15
Optional Wood Extension Table	15
Installing Dust Shroud	16
Installing Switch	16
Miter Gauge Assembly	16
Motor Disconnect Plug	16
Dado Insert	17
Adjustments	17
Blade Adjustment	17
Resetting the Pointer	17
45 and 90 Degree Positive Stops	18
Miter Gauge Adjustment	18
Aligning Splitter to Blade	19
Aligning Miter Slot to Blade	19
Basic Saw Operation	20
Operating Procedures.....	21
Maintenance.....	26
Optional Accessories	26
Replacement Parts	28
Parts List: Table Saw, Extension Wings and Guard	29
Parts List: Stand Assembly.....	31
Parts List: Motor and Trunnion Assembly	32
Motor and Trunnion Assembly.....	34



Warnings

1. Read and understand the entire owner's manual before attempting assembly or operation.
2. Read and understand the warnings posted on the machine and in this manual. Failure to comply with all of these warnings may cause serious injury.
3. Replace the warning labels if they become obscured or removed.
4. This table saw is designed and intended for use by properly trained and experienced personnel only. If you are not familiar with the proper and safe operation of a table saw, do not use until proper training and knowledge have been obtained.
5. Do not use this table saw for other than its intended use. If used for other purposes, WMH Tool Group, Inc. disclaims any real or implied warranty and holds itself harmless from any injury that may result from that use.
6. Always wear approved safety glasses/face shields while using this table saw. Everyday eyeglasses only have impact resistant lenses; they are not safety glasses.
7. Before operating this table saw, remove tie, rings, watches and other jewelry, and roll sleeves up past the elbows. Remove all loose clothing and confine long hair. Non-slip footwear or anti-skid floor strips are recommended. Do **not** wear gloves.
8. Wear ear protectors (plugs or muffs) during extended periods of operation.
9. Some dust created by power sanding, sawing, grinding, drilling and other construction activities contains chemicals known to cause cancer, birth defects or other reproductive harm. Some examples of these chemicals are:
 - Lead from lead based paint.
 - Crystalline silica from bricks, cement and other masonry products.
 - Arsenic and chromium from chemically treated lumber.Your risk of exposure varies, depending on how often you do this type of work. To reduce your exposure to these chemicals, work in a well-ventilated area and work with approved safety equipment, such as face or dust masks that are specifically designed to filter out microscopic particles.
10. Do not operate this machine while tired or under the influence of drugs, alcohol or any medication.
11. Make certain the switch is in the **OFF** position before connecting the machine to the power supply.
12. Make certain the machine is properly grounded.
13. Maintain a balanced stance and keep your body under control at all times. Do not stand in line with the saw blade or workpiece, and do not allow anyone else to do so.
14. Do not overreach or use excessive force to perform any machine operation. Use a support table or have a helper or "tailman" take stock away from the back side of the blade.
15. Check the alignment of the splitter, fence and miter slot to the blade. A caution decal is installed on the guard and splitter assembly to remind the operator of the dangers of misalignment.
16. Maintain tools in top condition. Check the saw blade for cracks or missing teeth. Do not use a cracked or dull blade or one with missing teeth or improper set. Make sure the blade is securely locked on the arbor.
17. Keep hands clear of the blade area. Do not reach past the blade to clear parts or scrap with the saw blade running. Never saw free hand. Avoid awkward operations and hand positions where a sudden slip could cause your hand to contact the blade.
18. Always use the splitter, blade guard, push stick and other safety devices for all operations where they can be used. On operations such as dadoing or molding where the blade guard cannot be used, use feather boards, fixtures, and other safety devices and use extreme caution. Re-install the splitter and blade guard immediately after completing the operation that required their removal.

Warnings

19. Be sure the saw blade rotates clockwise when viewed from the motor side (left side) of the machine.
20. Do not attempt to saw boards with loose knots or with nails or other foreign material, on its surface. Do not attempt to saw twisted, warped, bowed or “in wind” stock unless one edge has been jointed for guiding purposes prior to sawing. Do not attempt to saw long or wide boards unsupported where spring or weight could cause the board to shift position.
21. Remove adjusting keys and wrenches. Form a habit of checking to see that keys and adjusting wrenches are removed from the machine before turning it on. Remove loose items and unnecessary work pieces from the area before starting the machine.
22. Keep safety guards in place at all times when the machine is in use. If removed for maintenance purposes, use extreme caution and replace the guards immediately upon completion of maintenance.
23. Check damaged parts. Before further use of the machine, a guard or other part that is damaged should be carefully checked to determine that it will operate properly and perform its intended function. Check for alignment of moving parts, binding of moving parts, breakage of parts, mounting and any other conditions that may affect its operation. A guard or other part that is damaged should be properly repaired or replaced.
24. Provide for adequate space surrounding work area and non-glare, overhead lighting.
25. Keep the floor around the machine clean and free of scrap material, oil and grease.
26. Keep visitors a safe distance from the work area. **Keep children away.**
27. Make your workshop child proof with padlocks, master switches or by removing starter keys.
28. Give your work undivided attention. Looking around, carrying on a conversation and “horse-play” are careless acts that can result in serious injury.
29. Use recommended accessories; improper accessories may be hazardous.
30. Turn off the machine and disconnect from power before cleaning. Use a brush or compressed air to remove chips or debris — do not use your hands.
31. Make all machine adjustments or maintenance with the machine unplugged from the power source. Never remove the blade insert with the machine running.
32. Do not stand on the machine. Serious injury could occur if the machine tips over.
33. Never leave the tablesaw running unattended. Turn the power off and do not leave the tablesaw until the blade has come to a complete stop.

Familiarize yourself with the following safety notices used in this manual:

CAUTION This means that if precautions are not heeded, it may result in minor injury and/or possible machine damage.

WARNING This means that if precautions are not heeded, it may result in serious or even fatal injury.

- - SAVE THESE INSTRUCTIONS - -

Introduction

This manual is provided by WMH Tool Group, Inc. covering the safe operation and maintenance procedures for a Powermatic Model 64A 10" Tablesaw. This manual contains instructions on installation, safety precautions, general operating procedures, maintenance instructions and parts breakdown. This machine has been designed and constructed to provide years of trouble free operation if used in accordance with instructions set forth in this manual. If there are any questions or comments, please contact either your local supplier or WMH Tool Group. WMH Tool Group can also be reached at our web site: www.wmhtoolgroup.com.

Specifications

Model Number.....	64A
Stock Numbers:	
1791227K.....	Model 64A with 30" Rails, 27" x 17" Extension Table
1791228K.....	Model 64A with 50" Rails, 27" x 36" Extension Table and Legs
1791270K.....	Model 64A with 30" Rails, 27" x 17" Extension Table, Legs, Rout-R-Lift®
1791271K.....	Model 64A with 50" Rails, 27" x 36" Extension Table, Legs, Rout-R-Lift®
Blade Diameter (in.).....	10
Arbor Diameter (in.).....	5/8
Maximum Depth of Cut at 90 degrees (in.).....	3-1/8
Maximum Cut Depth @ 45 degrees (in.).....	2-1/8
Maximum Rip to Right of Blade (in.).....	30" (50" with extension table)
Maximum Rip to Left of Blade (in.).....	12
Table in Front of Saw Blade at Max. Cut (in.).....	11-1/2
Maximum Width of Dado (in.).....	13/16
Maximum Diameter of Dado (in.).....	7-1/2
Table Height from Floor (in.).....	35
Table Size with Extension (LxW)(in.).....	40 x 27
Table Size without Extension (LxW)(in.).....	20 x 27

The above specifications were current at the time this manual was published, but because of our policy of continuous improvement, WMH Tool Group reserves the right to change specifications at any time and without prior notice, without incurring obligations.

Electrical Connections

⚠WARNING Electrical connections must be made by a qualified electrician in compliance with all relevant codes. This machine must be properly grounded to help prevent electrical shock and possible fatal injury.

The 64A Tablesaw is equipped with a single phase, 115/230 volt motor. It is factory wired for 115 volts, but may be converted to 230 volt operation. Make sure the voltage of your power supply matches the specifications on the motor plate of the Tablesaw.

Grounding Instructions

1. All grounded, cord connected tools:

In the event of a malfunction or breakdown, grounding provides a path of least resistance for electric current to reduce the risk of electric shock. This tool is equipped with an electric cord having an equipment-grounding conductor and a grounding plug. The plug must be plugged into a matching outlet that is properly installed and grounded in accordance with all local codes and ordinances.

Do not modify the plug provided - if it will not fit the outlet, have the proper outlet installed by a qualified electrician.

Improper connection of the equipment-grounding conductor can result in a risk of electric shock. The conductor with insulation having an outer surface that is green with or without yellow stripes is the equipment-grounding conductor.

If repair or replacement of the electric cord or plug is necessary, do not connect the equipment-grounding conductor to a live terminal.

Check with a qualified electrician or service personnel if the grounding instructions are not completely understood, or if in doubt as to whether the tool is properly grounded.

Use only 3-wire extension cords that have 3-prong grounding plugs and 3-pole receptacles that accept the tool's plug.

Repair or replace damage or worn cord immediately.

2. Grounded, cord-connected tools intended for use on a supply circuit having a nominal rating less than 150 volts:

This tool is intended for use on a circuit that has an outlet that looks like the one illustrated in Figure 1(A). The tool has a grounding plug that looks like the plug illustrated in (A).

A temporary adapter, which looks like the adapter illustrated in Figure 1(B&C), may be used to connect this plug to a 2-pole receptacle as shown in (B) if a properly grounded outlet is not available. The temporary adapter should be used only until a properly grounded outlet can be installed by a qualified electrician. (*This adaptor is not applicable in Canada.*)

The green-colored rigid ear, lug, and the like, extending from the adapter must be connected to a permanent ground such as a properly grounded outlet box.

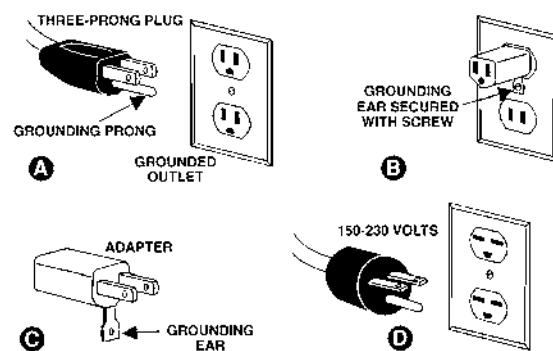


Figure 1

3. Grounded, cord-connected tools intended for use on a supply circuit having a nominal rating between 150-250 volts, inclusive:

This cord is intended for use on a circuit that has an outlet that looks like the one illustrated in Figure 1(D). The tool has a grounding plug that looks like the plug illustrated in (D). Make sure the tool is connected to an outlet having the same configuration as the plug. No adapter is available or should be used with this tool. If the tool must be reconnected for use on a different type of electric circuit, the reconnection should be made by qualified service personnel and after reconnection, the tool should comply with all local codes and ordinances.

230 Volt Conversion

If 230V single phase operation is desired, follow these instructions:

1. Disconnect table saw from power source.
2. Open the motor junction box, and consult the diagrams affixed to the inside of the junction box cover. These diagrams are also shown in Figures 2 and 3. This saw is supplied with four motor leads that are connected for 115V operation (Figure 2). Reconnect these four motor leads for 230V operation (Figure 3).
3. The 115V attachment plug, supplied with the saw, must be replaced with a UL/CSA listed plug suitable for 230V operation. Consult an electrician for proper procedures to install the plug. The saw must comply with all local and national codes after the 230V plug is installed.

In all cases (115V or 230V) make certain the receptacle in question is properly grounded. If you are not sure, have a registered electrician check the receptacle.

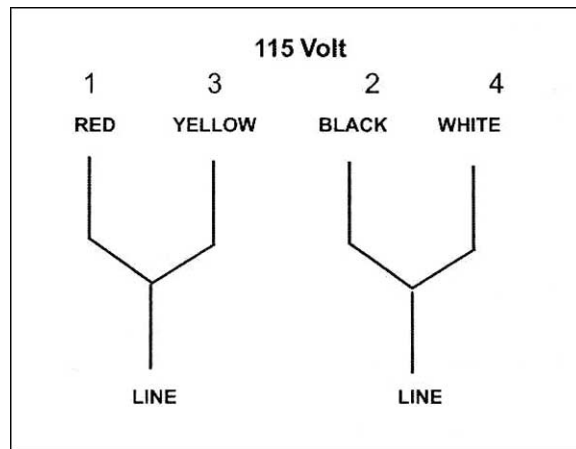


Figure 2

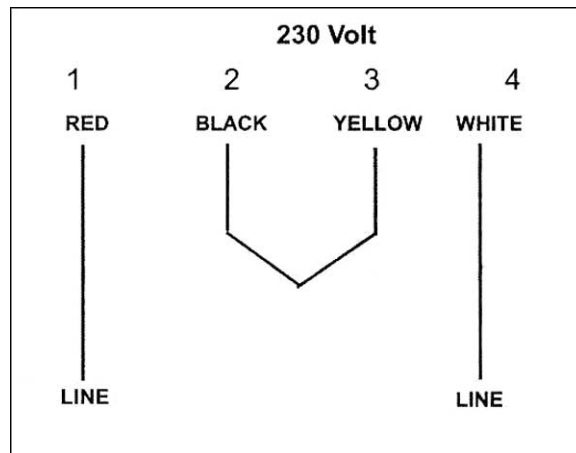


Figure 3

Extension Cords

If an extension cord is necessary, make sure the cord rating is suitable for the amperage listed on the machine's motor plate. An undersize cord will cause a drop in line voltage resulting in loss of power and overheating.

Use the chart in Figure 4 as a general guide in choosing the correct size cord. If in doubt, use the next heavier gauge. The smaller the gauge number, the heavier the cord.

Recommended Gauges (AWG) of Extension Cords

Amps	Extension Cord Length *					
	25 feet	50 feet	75 feet	100 feet	150 feet	200 feet
< 5	16	16	16	14	12	12
5 to 8	16	16	14	12	10	NR
8 to 12	14	14	12	10	NR	NR
12 to 15	12	12	10	10	NR	NR
15 to 20	10	10	10	NR	NR	NR
21 to 30	10	NR	NR	NR	NR	NR

*based on limiting the line voltage drop to 5V at 150% of the rated amperes.

NR: Not Recommended.

Figure 4

Unpacking

Open shipping container and check for shipping damage. Report any damage immediately to your distributor and shipping agent. Do not discard any shipping material until the Tablesaw is assembled and running properly.

Compare the contents of your container with the following parts list to make sure all parts are intact. Missing parts, if any, should be reported to your distributor. Read the instruction manual thoroughly for assembly, maintenance and safety instructions.

Contents of the Shipping Container

Refer to Figure 5:

- 1 Saw Body with Switch - A
- 1 Stand Assembly (12 pieces) – B
- 2 Extension Wings - C
- 1 Motor - D
- 1 Blade Guard - E
- 1 Motor Bracket – F
- 1 Dust Shroud - G

- 1 Standard Insert - H
- 1 Dado Insert – J
- 1 Pulley Cover Seat - K
- 1 Motor Base Plate – L
- 1 Pulley Cover - M
- 1 Miter Gauge – N
- 1 Miter Gauge Bar - O
- 2 Handle Assemblies - P
- 2 Splitter Mount Bracket Assembly – R
- 1 Drive Belt - S
- 1 Pin - T
- 1 Arbor Wrench - U
- 1 Combination Wrench - V
- 2 Hex Wrenches, 3mm and 4mm - W
- 5 Hardware Bags
- 1 Owner's Manual (not shown)
- 1 Warranty Card (not shown)

NOTE: The optional wood extension table and legs are shipped in separate boxes and are supplied with their own fasteners.

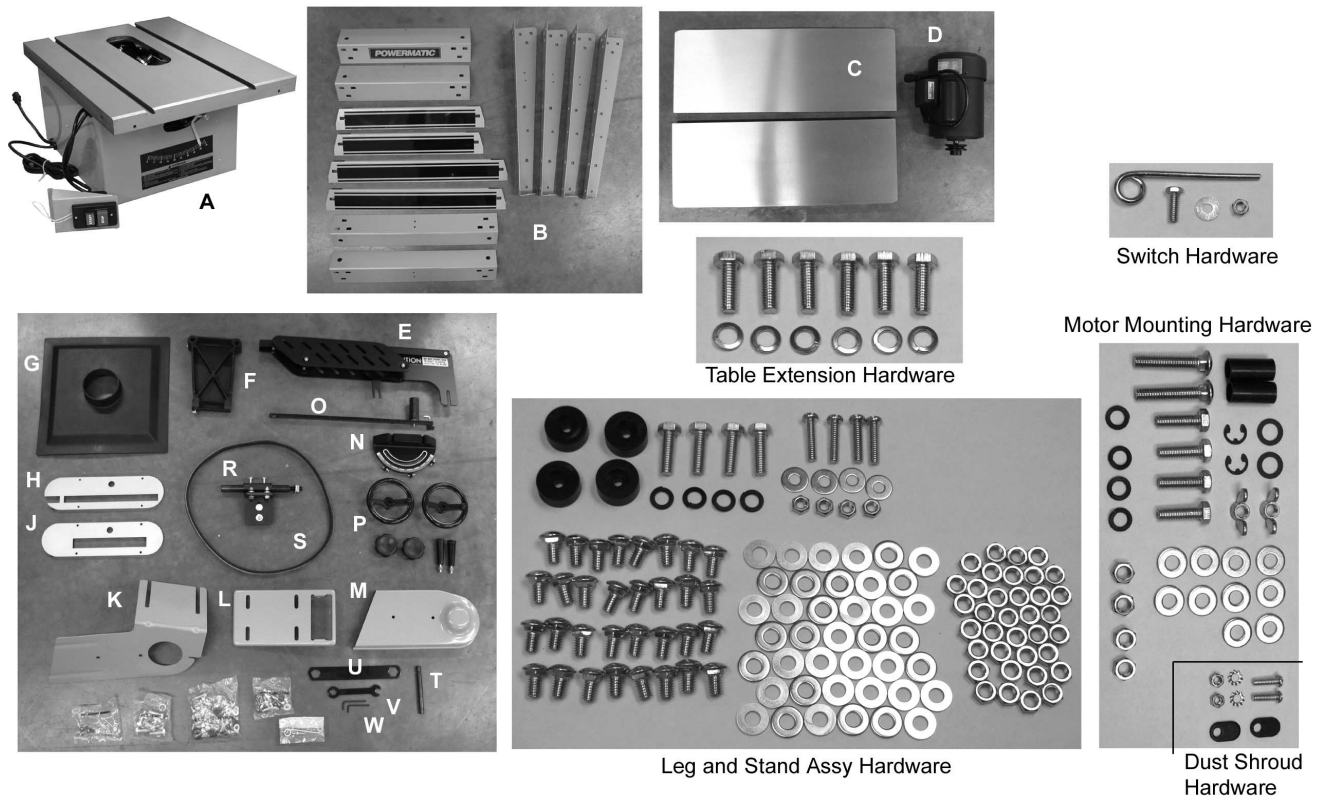


Figure 5

Installation and Assembly

Tools required:

Arbor wrench (supplied)
12mm combination wrench (supplied)
3mm and 4mm hex wrenches (supplied)
8, 10, 14, 15, and 19 mm open-end wrenches
Cross point and flat head screwdrivers

Some assembly tips:

1. A bowl should be used to hold hardware.
2. To avoid harming the table saw top, a cloth should be placed on the floor first.
3. Do not remove wax coating from table until saw is assembled.
4. Start assembly in the area where saw will be used. This area should be clean and tidy in order to make it easy to find any dropped fasteners and tools.
5. Unwrap only the hardware packages that one is working on.
6. A mobile light should be used to illuminate obscure areas.
7. The use of a ratchet wrench with sockets and extensions will greatly reduce assembly time.

Remove the protective coating from the saw table surface with a soft cloth moistened with a good commercial solvent. **NOTE:** Do not use acetone, gasoline, or lacquer thinner to remove the protective coating, as it can damage plastic parts and painted areas. Do not use an abrasive pad on the table top.

Stand Assembly

Note: Except for the rubber feet, **only finger tighten** all nuts. Stand assembly nuts should be fully tightened only after the saw has been attached to the stand. If you are using a mobile base, the stand should be tightened only after placing the saw in the mobile base.

TIP: It may be easier to assemble stand in an upside-down position. Illustrations are shown right side-up for the purpose of clarity.

1. Assemble two leg sets using the long cross braces attached to the **inside** of the legs. The lower cross braces go into first set of square holes located approximately center of each leg. See Figure 6. *[The bottom holes on the legs are not used for this machine.]* Use (32) 5/16-18 x 5/8 carriage bolts, (32) 5/16 hex nuts, and (32) 5/16 flat washers to assemble the stand.

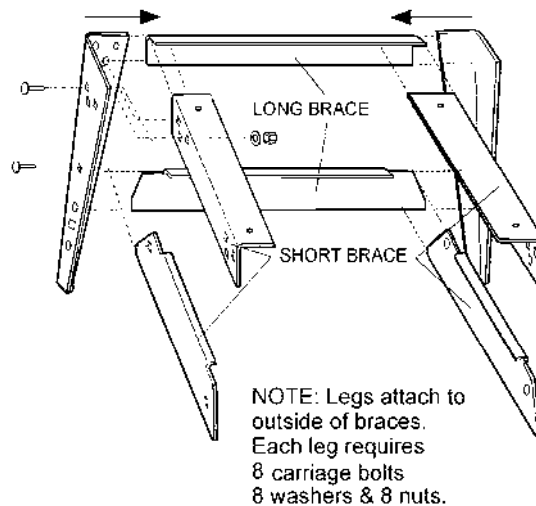


Figure 6

2. Attach the four short braces to one set of legs as shown in Figure 6.
3. Complete the stand assembly by attaching the other set of legs as shown in Figure 7.
4. To attach rubber feet to each leg, first use a cross-point screwdriver and screw the 1/4-20 x 1 pan head screw through the recessed hole of the rubber grommet as shown in Figure 8. Push the screw through the hole provided at the bottom of each leg, and tightly fasten down with 1/4 flat washer and 1/4 hex nut.
5. Remember, leave all other stand assembly nuts only finger tight!

Mounting Saw to Stand

Tip: Remove all contents from carton except saw and one extension wing. Put some soft padding on floor beside box. Fold back carton flaps and gently roll carton **upside down** on to padding. Lift off carton, being careful not to let extension wing fall.

1. Place table top upside down with its surface on a flat floor, and place stand, with legs upside down, atop the cabinet. See Figure 9
2. Align the holes of stand with holes on bottom flange of saw base and **tightly** secure with four 5/16-18 x 1 hex head screws, four 5/16 hex nuts, four 5/16 flat washers, and four 5/16 spring washers. The screw heads should be inside of the saw body (see inset, Figure 9).
3. Carefully raise the machine to its upright position.
4. With the saw located at the place of operation, (with a solid foundation), spread the stand legs to self-align the machine. (If using an optional mobile base, place the machine onto the base now). When all four legs are seated solidly on the floor (or mobile base), tighten down securely all nuts and screws in the stand assembly.

NOTE: If the saw is to be used without the metal stand provided, care must be taken to provide a hole in the stand or bench used by the operator to facilitate the removal of sawdust.

CAUTION If there is any tendency to slide, walk, or tip over during operation, the stand or bench **MUST** be secured to the floor.

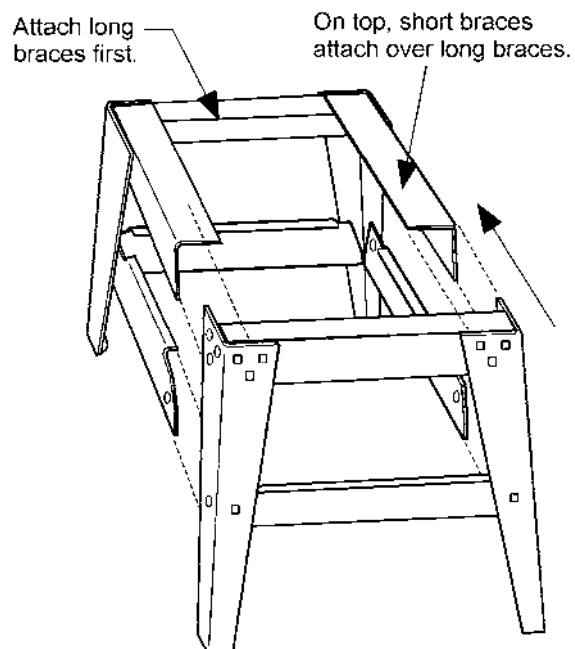


Figure 7

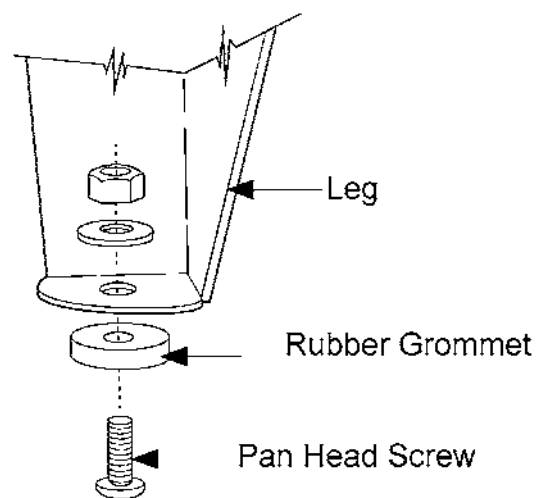


Figure 8

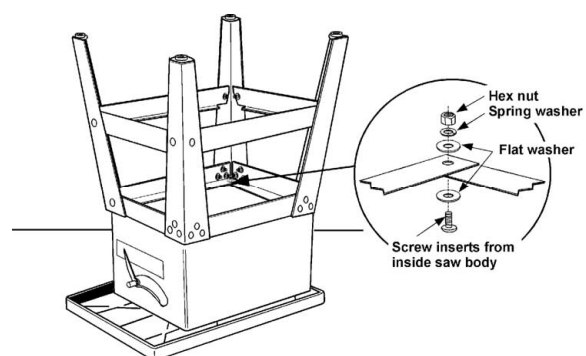


Figure 9

Handwheels and Lock Knobs

1. Attach handwheel knob (A) by inserting screw (B) through hollow knob and into the 3/8" lock nut (C). See Figure 10. Lightly screw assembly into handwheel.
2. Tighten the nut (C) to the handwheel just enough so that there is adequate looseness in the knob (A) to allow free rotation.
3. Attach the elevating and tilting handwheels with lock knobs to the elevating and tilting screws on the machine, as shown in Figure 10. Make sure the slot in both handwheels engages with the roll pins in the elevating and tilting screws.

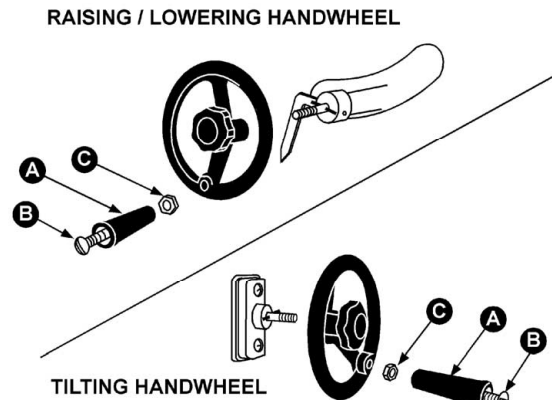


Figure 10

Mounting the Motor

WARNING Make sure motor is disconnected from power source while assembling the saw.

1. Carefully set motor on its end with the pulley at the top, as shown in Figure 11.
2. Install two 5/16-18 x 1-3/4 carriage bolts through the holes in the pulley cover seat. See Figure 12. Place a spacer over the bolt shafts and temporarily install two 5/16 fiber washers, two 5/16 wing nuts, and two E-rings as shown.
3. Lay the pulley cover seat on the motor as shown in figure 13.
4. Install motor base plate with four 5/16-18 x 1 hex head screws, four 5/16 flat washers, four 5/16 lock washers, and four 5/16 nuts, with the screw heads on the motor side, as shown in Figure 13. Slightly tighten two of the nuts to temporarily secure components.
5. Assemble the motor base plate to the cast motor bracket as shown in Figure 14. Slip pin through and secure with the hex head set screw.

IMPORTANT: Before mounting the motor assembly to the saw, turn the trunnion handwheel so that the saw blade is in the 90 degree vertical position (or the saw's pointer is on the zero mark).

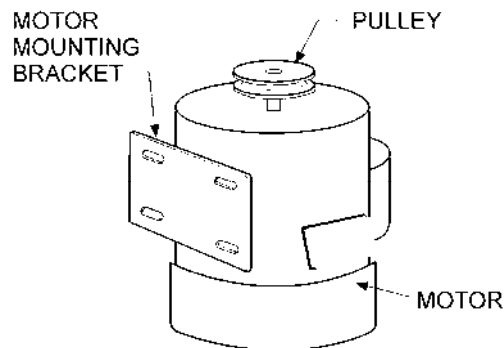


Figure 11

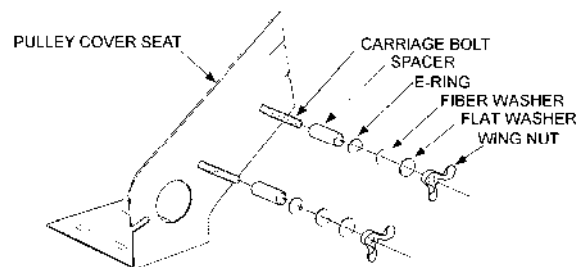


Figure 12

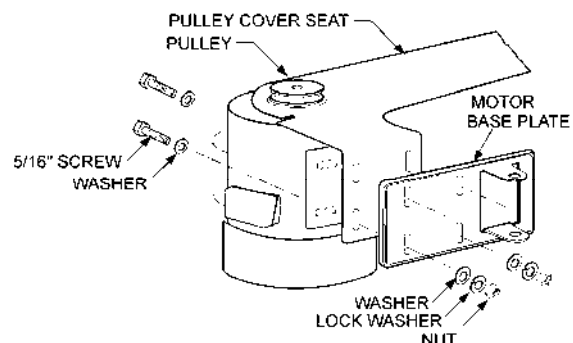


Figure 13

6. Install the motor assembly onto the protruding studs at the back of the saw. See Figure 15.
7. Tighten down setscrews in top of cast motor bracket with hex wrench as shown in Figure 15.
8. Use an assistant or get a support block (for example, a 2x4) approximately 21" to 22" long. Lift motor up and position block under the motor to support its weight.
9. Slightly loosen motor base screws.
10. Confirm belt alignment using a straight edge as shown in Figure 16. **NOTE:** If belt needs aligning, loosen the set screws on a pulley and slide the pulley forward or backward on the shaft as needed. Re-tighten set screws.
11. Mount the drive belt to the pulleys by raising motor off the support block. With the drive belt mounted, lower the motor back to rest on the support block.
12. Position pulley cover seat in line with pulleys, but not so it will interfere with belt operation.
13. Adjust the motor all the way **back** on the slots of the base, then move it all the way to the **right**. See Figure 17. This will prevent the motor from rising above the table when tilted at 45 degrees. Tighten down the motor base screws.
14. Remove wing nuts with washers and install pulley cover, as shown in Figure 17, over the spacer and carriage bolt. Install the wing nut and washers and tighten down the pulley cover so that it fits snugly over the pulley cover seat.
15. Remove support block. Test for unhindered operation of the belt by turning the components by hand. Adjust as necessary.

See pages 7 and 8 for information on connecting your table saw to power, and voltage conversion.

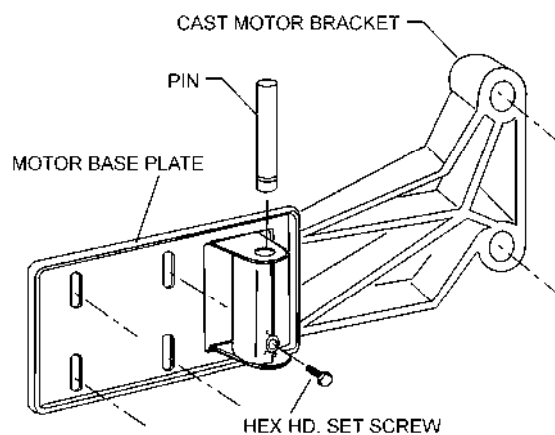


Figure 14

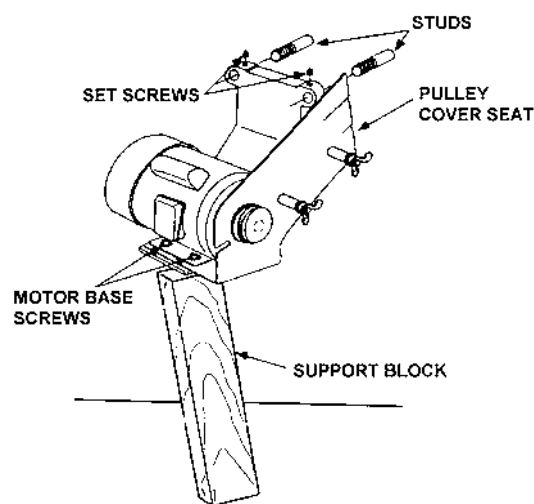


Figure 15

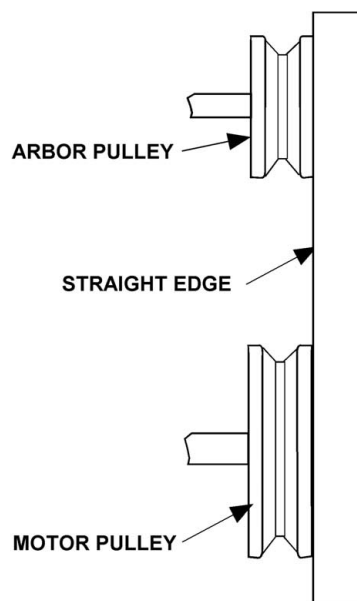


Figure 16

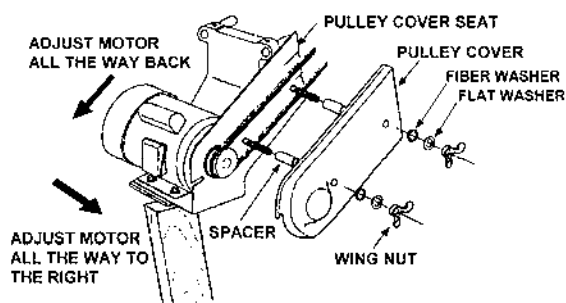


Figure 17

Mounting Blade Guard and Splitter

1. Disconnect saw from power source.
2. Attach splitter mounting bracket to saw trunnion using pin, nut and washer as shown in Figure 18. Insert the pin into the trunnion hole until it is flush on the other side, then hold a wrench on the flat of the pin to stabilize it, while tightening the nut counterclockwise. The upper bracket is secured to the lower bracket with four 5/16-18 x 1 screws, four 5/16 flat washers, and four 5/16 hex nuts.
3. Loosen top screws (A) on the mounting bracket, and the screw (C) on the inside splitter mounting plate, as shown in Figures 18 and 19. The slotted legs of the splitter assembly will slide onto the screws. (You may need to loosen set screws (B), Figure 18, to slide bracket to required position on pin.)

TIP: If the slotted section of the splitter proves difficult to position over the screw on the mounting plate (C), push the splitter guard toward the back of the saw then push down on the guard, allowing the slotted section to slide on to the screw so that the nut and washer compress the guard's feet against the plate.
4. When splitter assembly is properly situated, tighten screws (A), (B), and (C).

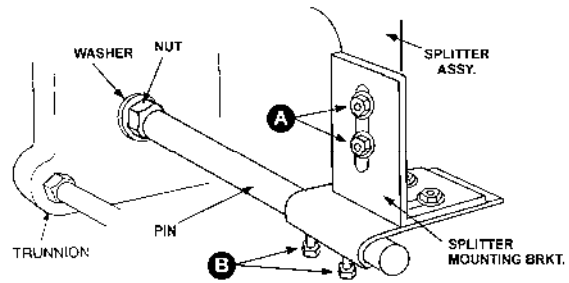


Figure 18

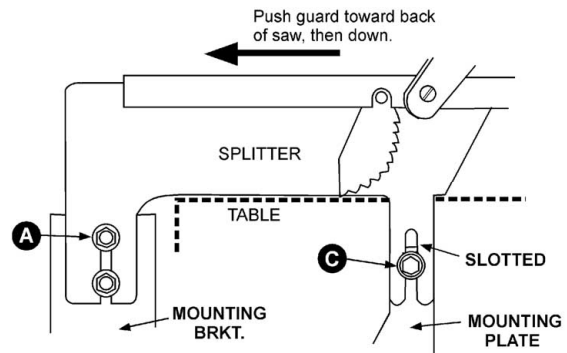


Figure 19

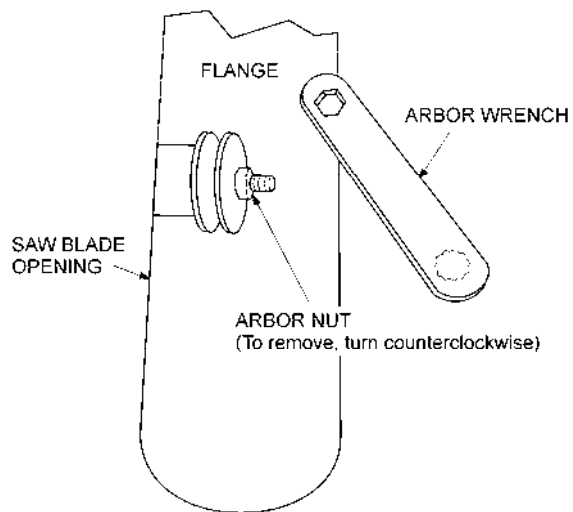


Figure 20

Saw Blade Installation

1. Disconnect machine from power source.
2. Raise the arbor to its highest point and remove the arbor nut, shown in Figure 20, by turning nut counterclockwise.
3. Remove the flange and place saw blade on the arbor making sure the cutting edge of the teeth at the top of the blade face **toward the front** of the saw, as shown in Figure 21.
4. Slide the flange on the arbor and start the nut on the threads. Snug the nut against the flange using the wrench while holding saw blade with thumb and fingertips.
5. Lower the saw blade and wedge a block of wood between the blade and the table to keep the blade from moving. Tighten the blade securely with the arbor wrench.
6. See page 19 to align the splitter with the saw blade.

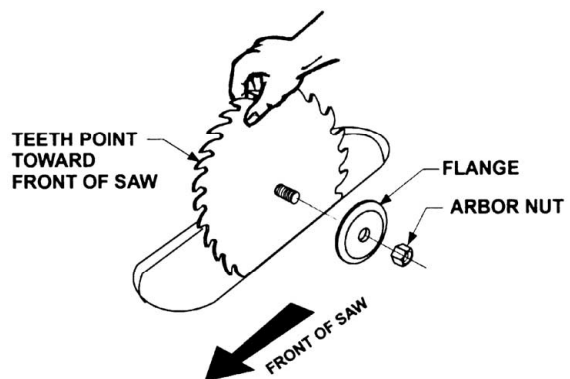


Figure 21

CAUTION Before operating the saw, the splitter must be aligned with the blade to help prevent kickback.

Mounting Table Insert

1. Place the table insert into the table opening. With a straight edge, check to see if the insert is level with the surface of the table. See Figure 22.
2. If the insert is not level, correct it by using the straight edge and turning the four set screws in or out until the insert is flush with the table.

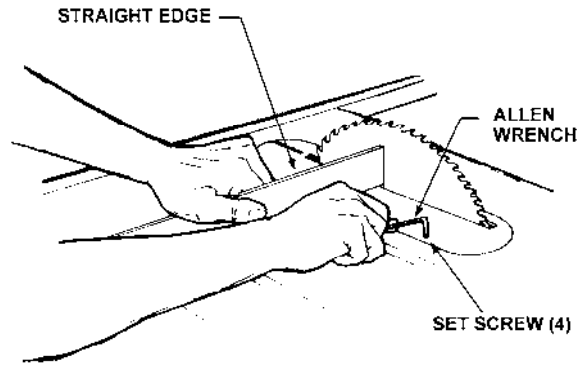


Figure 22

Mounting Extension Wings

TIP: Use WD-40® to clean table edges.

1. Have an assistant hold the wing in place while the three 7/16-14 x 1-1/4 screws are inserted with the 7/16 lock washers. Do not tighten screws completely.

(NOTE: If an assistant is not available, hold the wing in vertical position and insert one 7/16-14 x 1-1/4 screw and one 7/16 lock washer into the middle hole. See Figure 23. Finger tighten this screw to the saw's table, then pivot the wing to horizontal position, and install the other two screws finger tight.)

2. The front edge of extension wing is the most critical and must be flush with the front edge of saw table. If necessary, tap the edges of the wing with a rubber mallet (or hammer and block of wood) until the front edge of wing lines up with edge of table.
3. Place a straight edge across both the extension wing and table top. Level the surface of the wing with the table top, then tighten the middle screw.
4. Repeat step 4 at the front and back of the extension wing. Tighten each screw as that part of the wing comes flush with the table.
5. Repeat process for other extension wing.

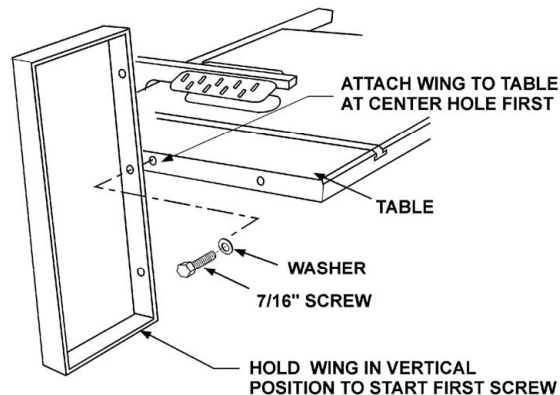


Figure 23

Mounting Rails and Accu-Fence®

With the extension wings properly aligned, the rail and fence assembly can now be mounted to the saw. Consult the separate Accu-Fence manual for instructions.

Optional Wood Extension Table

For instructions on mounting the accessory wood extension table, or router table, consult your Accu-Fence® manual.

Installing Dust Shroud

TIP: Since the dust shroud is installed from beneath, aid from a helper to install the screws and tabs will make this task much easier.

1. From under the saw, position the dust shroud at an angle to go through the opening between the stand and the saw. Set the lip of the shroud to sit on the top side of the stand as shown in Figure 24.
2. Attach two 3/16-24 x 5/8 pan head screws and two 3/16 star washers to the tabs, and reaching in from the motor side of the saw, push the screws through the holes provided in the stand.
3. Attach two 3/16 nuts from the bottom side, and with both tabs positioned over the lip of the shroud, tighten down both screws.

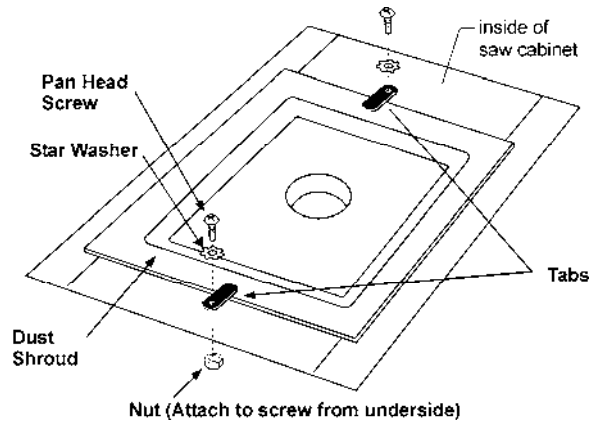


Figure 24

Installing Switch

NOTE: The switch can **not** be mounted until the fence and rails are mounted. Attach the switch under the first screw from the left on the front rail. See Figure 25. The switch mounting bracket has a slot for adjustment.

The table saw is equipped with a push-button switch with safety device, shown in Figure 25. When the safety key is inserted into the start button, the button cannot be pushed in, thus preventing accidental starting of the saw. It is recommended that the safety key be placed on the machine whenever the machine is not in use.

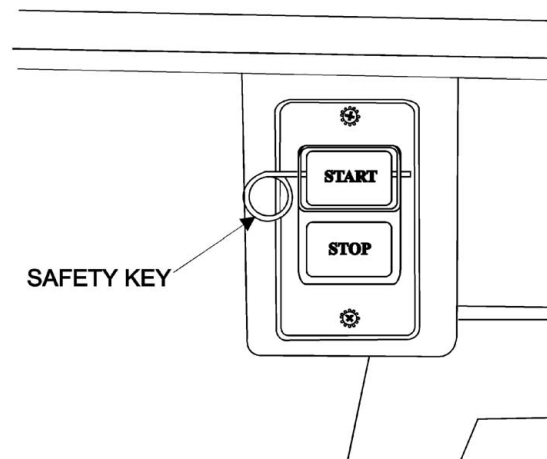


Figure 25

Miter Gauge Assembly

1. Mount the gauge body to the bar, making sure the pins underneath the body insert into the holes in the bar. See Figure 26.
2. Place the fiber washer on to the threaded part of the handle, and screw on the handle.
3. Slide the miter gauge into the left hand slot on the saw table.

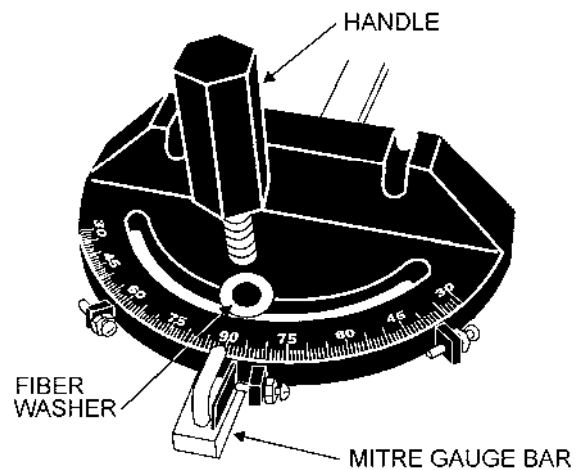


Figure 26

Motor Disconnect Plug

The motor is supplied with a special disconnecting plug to facilitate motor removal for saw transportation convenience. Before connecting or disconnecting this special plug, always make sure that the saw's main cord is unplugged.

Dado Insert

Dadoing is cutting a rabbet or a wide groove into the workpiece. The dado insert, shown in Figure 27, is included as standard equipment with your saw. Rotate the set screws as needed to level the dado insert with table surface.

CAUTION Do not use the standard table insert for dadoing operations.

Adjustments

WARNING Disconnect motor from power source before making any adjustments.

Blade Adjustment

1. To raise and lower the saw blade, loosen the front lock knob (A) on the elevating handwheel as shown in Figure 28.
2. Turn front handwheel (B) clockwise to raise saw blade and counterclockwise to lower saw blade.
3. Tighten lock knob (A) when the desired height of blade is reached.
4. To tilt the saw blade to the left, loosen lock knob (C) on the tilting handwheel as shown in Figure 28.
5. Turn handwheel (D) to tilt saw blade to desired angle, as read on indicator scale on front of saw.
6. Tighten lock knob (C).

Resetting the Pointer

After a long period of time, the tilt pointer on the front of the saw may require adjusting. If this is necessary, do the following:

1. Set the saw blade to cut a perfect 90 degrees. Use a square to confirm this position.
2. Remove the front lock knob and raise handwheel (A and B, Figure 28) to make the pointer's set screw accessible as shown in Figure 29.
3. Loosen the set screw and move the indicator point to "0" on the scale.
4. Tighten set screw and re-install handwheel and lock knob.

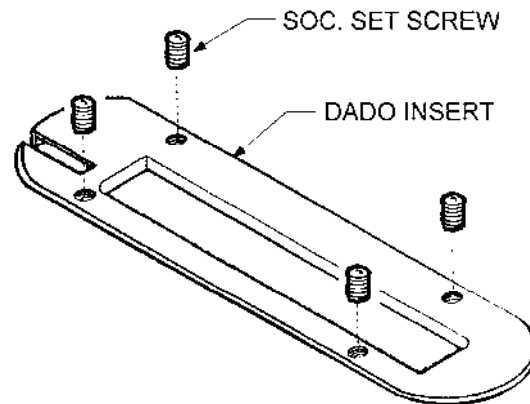


Figure 27

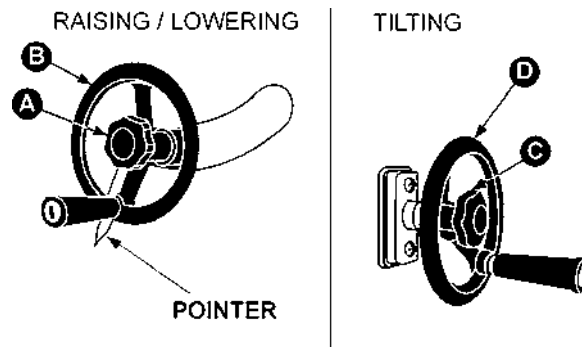


Figure 28

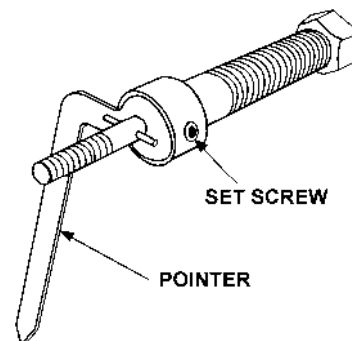


Figure 29

45 and 90 Degree Positive Stops

Convenient access to these adjustments will be from the back side of the saw.

1. Disconnect machine from power source.
2. Raise the saw blade to its maximum height.
3. Set the blade at 90 degrees to the table by turning the blade tilting handwheel clockwise as far as it will go.
4. Place a square on the table and check to see that the blade is at a 90 degree angle to the table. See Figure 30.
5. If blade is not at 90 degrees, proceed as follows: The 90 degree stop is located on the trunnion bracket toward the front of the saw, Figure 31. Loosen the lock nut (A) and turn adjusting stop screw (B) with a wrench until screw contacts the underside of table at the blade's 90 degree position. Tighten lock nut. Re-check and adjust as necessary.
6. The stop screw for 45 degrees is located toward the front of the saw on the cylindrical trunnion link bar, Figure 31. If the saw is not cutting at 45 degrees, loosen the lock nut (C) with a 14mm wrench. When the screw has been loosened, adjust to the proper position by holding the stop screw (D) with one wrench while tightening the lock nut (C) with the other.

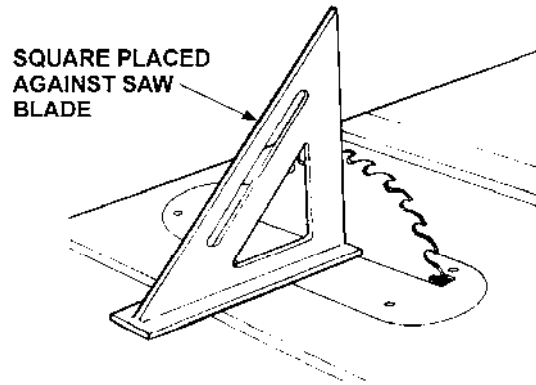


Figure 30

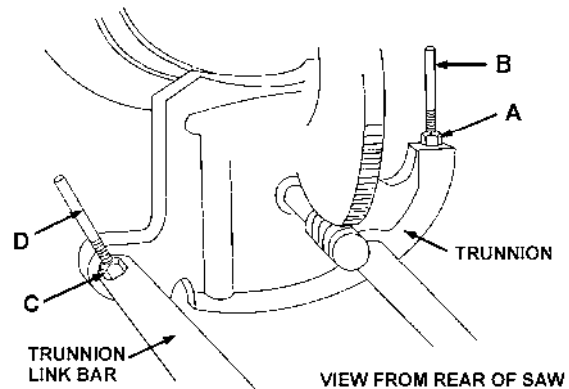


Figure 31

Miter Gauge Adjustment

Your miter gauge is equipped with individually adjustable index stops at 90 degrees and 45 degrees right and left. The index stops can be adjusted by tightening or loosening the three adjusting screws (A). See Figure 32.

To operate the miter gauge, loosen lock handle (B) and move the body of the miter gauge (C) to the desired angle. The miter gauge body is set to stop at 0 degrees and 45 degrees left or right. To move the gauge beyond these points, the stop link (D) must be flipped out of the way.

To check and adjust the 90 degree setting of the miter gauge, do the following:

1. Set the gauge at 90 degrees as shown in Figure 32.
2. Place a metal square against the face of the miter gauge and along one edge of the miter gauge slot and check to see if edge of square fits flush with the miter gauge. See Figure 33.

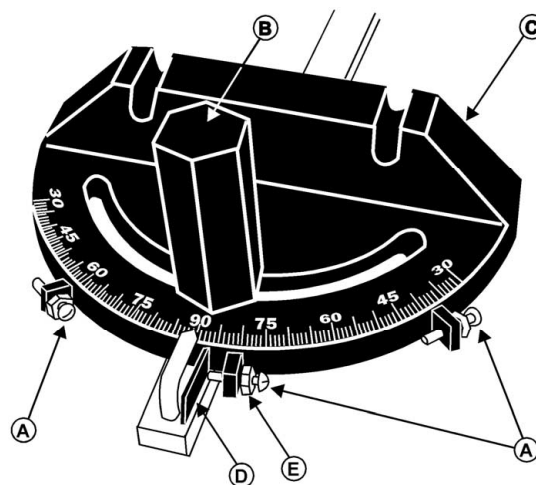


Figure 32

3. If it does not, loosen lock handle (B - Figure 32).
4. Loosen locknut (E), and adjust the stop screw, (A), so it strikes the stop link (D) when the gauge is at 90 degrees.
5. Retighten both the locknut (E) and lock handle (B).

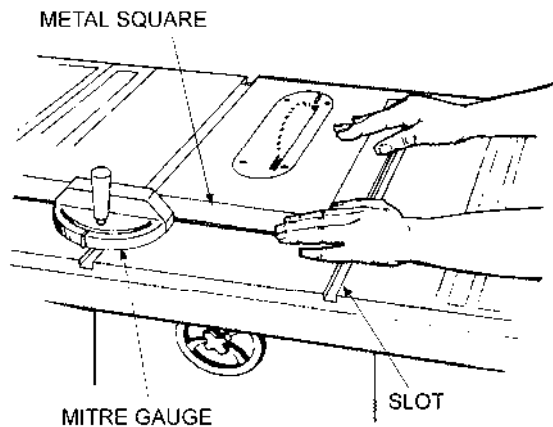


Figure 33

Aligning Splitter to Blade

CAUTION The splitter assembly must be aligned with the saw blade to help prevent kickback.

1. Lay a straight edge against the saw blade and the splitter as shown in Figure 34.
2. If splitter and blade do not line up, loosen the lower screws on the splitter mounting bracket (D, Figure 35) and the lower screws on the inside splitter mounting plate (E, Figure 35).

(NOTE: This adjustment is more easily performed with the aid of a helper since the mounting plate screws are adjusted from the underside of the saw. A socket wrench with extension may be necessary to loosen the two screws).

3. When adjustment is finished, tighten all screws.

CAUTION Make sure the blade guard and splitter are parallel with the table miter slots to prevent binding.

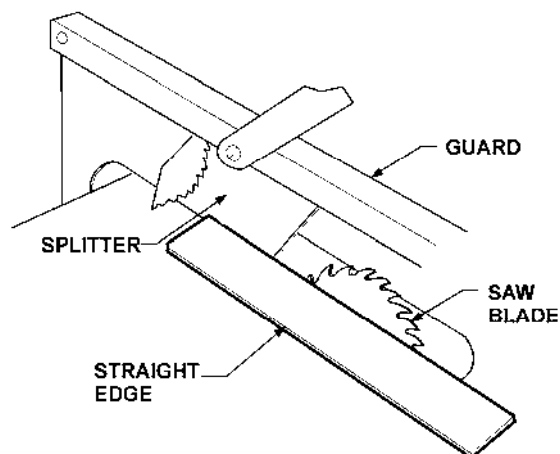


Figure 34

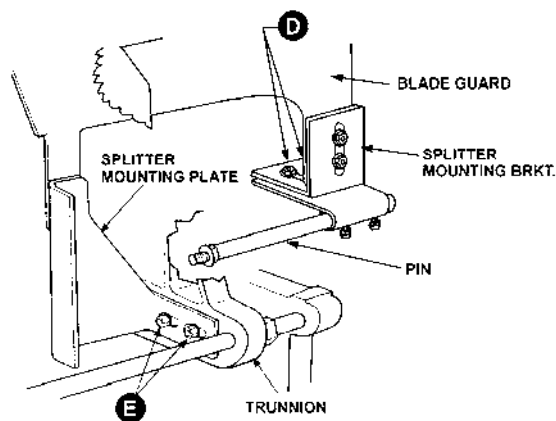


Figure 35

Aligning Miter Slot to Blade

1. If the blade is not aligned with the miter slot in the table, loosen the screws on the trunnion brackets (#17 and #54 - see page 34) and bump the table as needed with a rubber mallet, until the miter slot and blade are aligned.
2. Re-tighten screws securely when finished.

Basic Saw Operation

1. Familiarize yourself with the location and operation of all controls and adjustments and the use of the mitre gauge and rip fence.
2. Serious injury can result from kickbacks which occur when a workpiece binds on the saw blade or binds between the saw blade and rip fence or other fixed objects. This binding can cause the workpiece to lift up and be thrown toward the operator.

Listed below are the conditions which can cause kickback and should be thoroughly familiar to the operator.

- Confining the cutoff piece when crosscutting or ripping.
- Releasing the workpiece before completing the operation or not pushing the workpiece all the way past the saw blade.
- Not using the splitter when ripping or not maintaining alignment of the splitter with the saw blade.
- Using a dull saw blade.
- Not maintaining alignment of the rip fence. (Fence should angle away from, rather than towards, the saw blade front to back.) **NOTE:** A caution decal on guard and splitter assembly warns against misalignment.
- Applying feed force in ripping to the cutoff (free) section of the workpiece instead of the section between the saw blade and fence. Use push sticks or push blocks for narrow, thin, or short work.
- Ripping wood that is twisted (not flat), or does not have a straight edge, or has a twisted grain.

To minimize or prevent injury from kickbacks:

- Avoid conditions listed above.
- Wear a safety face shield, goggles, or glasses.
- Do not use the miter gauge and rip fence in the same operation unless provision is made of a facing board on the fence to allow the cutoff section of the workpiece to come free before the cut is started. (see Figure 42)

- Check the operation of the anti-kickback pawls before starting a cut. If the pawls do not stop the reverse motion of a workpiece, resharpen all the points.

- Keep your face and body out of line with potential kickbacks when possible, including when starting or stopping the machine.

3. Dull or improperly sharpened blades and blades with gum or resin adhering to them may cause an accident with the tilting arbor saw. Never use a cracked saw blade. The use of a sharp, well maintained, and correct cutting tool for the operation will help avoid kickbacks.
4. Support the work properly and hold it firmly against the gauge or fence. Use a push stick or push block when ripping short, narrow (6" width or less), or thin work. Use a push block or miter gauge hold-down when dadoing or molding. (Figure 36)
5. For added safety in crosscutting use an auxiliary wood facing attached to the miter gauge using the holes provided. (Figure 37)
6. Never use the fence as a length stop when crosscutting. Do not hold on to or touch the free end or cutoff section of a workpiece. On through-sawing operations, the cut-off section must not be confined.
7. Always keep your hands out of line with the saw blade and never reach past the rotating blade with either hand to hold down the workpiece.
8. Use the miter gauge on the left hand side of the saw blade when doing miter or compound miter cuts to provide more hand clearance and safety.

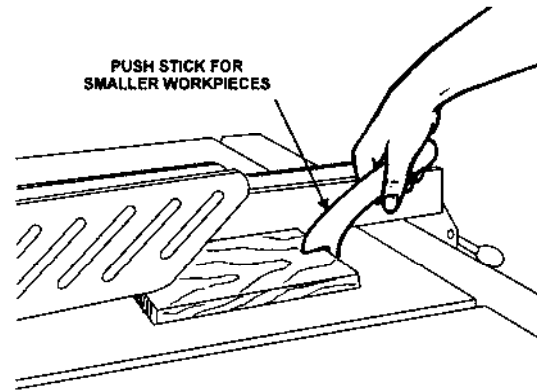


Figure 36

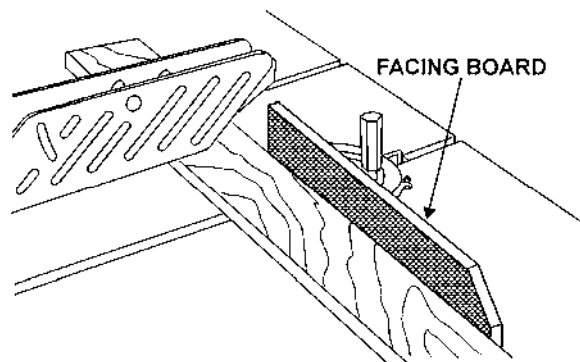


Figure 37

Operating Procedures

Ripping

1. Ripping is a sawing process where the workpiece is fed with the grain into the saw blade using the fence both as a guide and a positioning device to ensure the desired width of cut (Figure 38).
2. Many manufacturers make blades specifically designed for this operation.

CAUTION Before starting a ripping cut, be sure the fence is clamped securely and properly aligned.

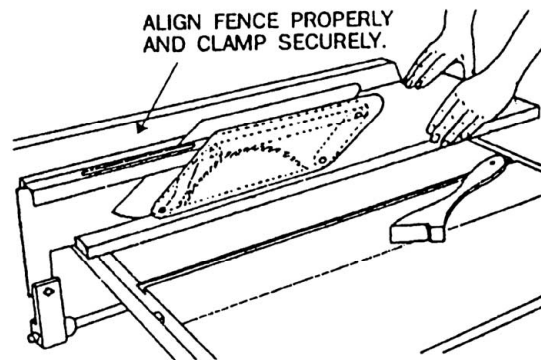


Figure 38

3. **Never** rip freehand or use the miter gauge in combination with the fence. **Never** rip workpieces shorter than the blade diameter without a push stick. **Never** remove the cutoff piece with the saw blade rotating.
4. Always use the saw guard, splitter and anti-kickback pawls and make sure the splitter is properly aligned. When wood is cut along the grain, the kerf tends to close and bind the grain, the blade and kickbacks can occur. **NOTE:** A caution decal is installed on the guard and splitter assembly warning of the hazard of misalignment.
5. The rip fence should be set for the width of the cut by using the scale on the front rail or measuring the distance between the blade and fence (Figure 39). Stand out of line with the saw blade and workpiece to avoid sawdust and splinters coming off the blade and a possible kickback.
6. If the workpiece does not have a straight edge, nail an auxiliary straight edged board to it to provide a straight edge against the fence. To cut properly, the board must make good contact with the table. If it is warped, turn the hollow side down.
7. In ripping, use one hand to hold the board down and against the fence or fixture and the other to push it into the blade between the blade and the fence. If the workpiece is narrow (less than 6") use a push stick or push block. Never push in a location such that the pushing hand is in line with the blade. Move the hand serving as a hold-down a safe distance from the blade as the cut nears completion. For very narrow ripping where a push stick cannot be used, use a push block or an auxiliary fence.
8. Always push the workpiece completely past the blade at the end of a cut to minimize the possibility of a kickback.
9. In ripping long boards, use a support at the front of the table and a support or "tailman" at the rear.
10. For work shorter than 12" or narrower than 6", use a push stick, or block, to push it through between the fence and the saw blade. (See page 25 for a filler piece designed to add to the safety of ripping narrow boards).
11. NEVER use the rip fence beyond the point where the carriage is flush with the end of the rails.
12. Have the blade extend about 1/8" above the top of the workpiece. Raising the blade above this point increases the risk of injury.

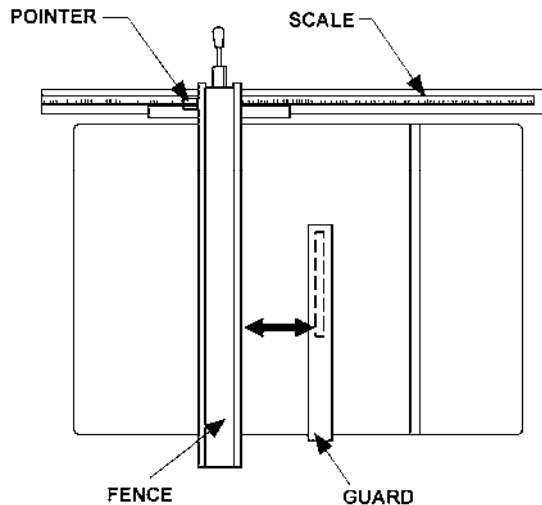


Figure 39

Resawing

1. Resawing is a ripping operation in which thick boards are cut into thinner ones. Narrow boards up to 3" can be resawn in one pass. Wider boards up to 6" must be resawn in two passes.
2. In resawing wider boards, adjust the blade height so as to overlap the two cuts by 1/2" (Figure 40). Too deep a first cut can result in binding and kickbacks on the second cut. Always use the same side of the board against the fence for both cuts.

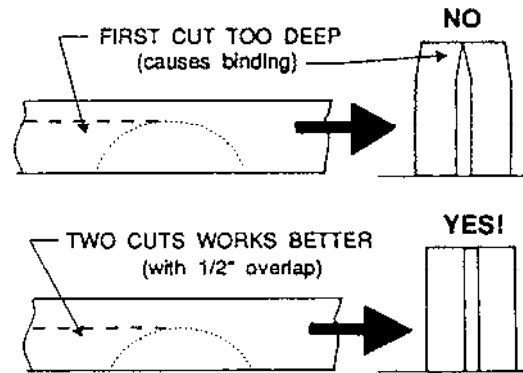


Figure 40

Crosscutting

1. Crosscutting is a sawing process where the workpiece is fed cross grain into the saw blade using the miter gauge to support and position the workpiece.

CAUTION Do not crosscut workpieces shorter than 6".

2. Before starting a cut, be sure that the miter gauge is securely clamped at the desired angle. Hold the workpiece firmly against the table and back against the miter gauge as shown in Figure 41. Always use the saw guard and splitter and make sure the splitter is properly aligned.
3. Crosscutting should never be done freehand nor should the fence be used as an end stop unless an auxiliary block is clamped to the front of the blade area such that the cutoff piece comes free of the block before cutting starts (Figure 42). Length stops should not be used on the free end of the workpiece in the cutoff area.
4. For 90 degree crosscutting, most operators prefer to use the left-hand miter gauge slot. When using it in this position, hold the workpiece against the gauge with the left hand and use the right hand to advance the workpiece. When crosscutting using the right hand slot, the hand positions are reversed.
5. When using the miter gauge, the workpiece must be held firmly and advanced smoothly at a slow rate. If the workpiece is not held firmly, it can vibrate causing it to bind on the blade and dull the saw teeth.
6. To improve the effectiveness of the miter gauge in crosscutting, some users mount an auxiliary wooden extension face with a glued-on strip of sandpaper to the gauge (Figure 43).



Figure 41

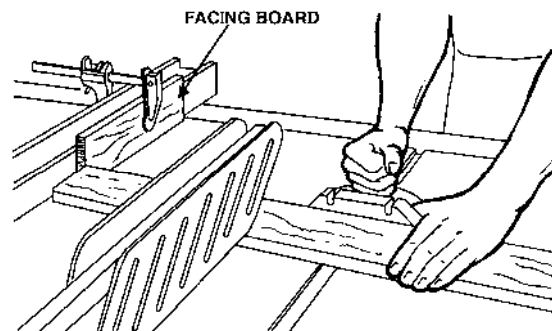


Figure 42

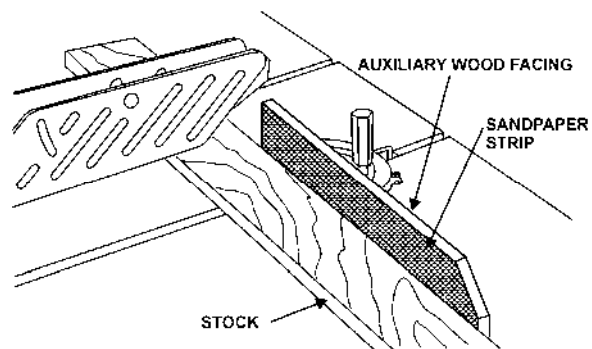


Figure 43

7. Provide auxiliary support for any workpiece which tends to sag and lift up off the table when it extends beyond the table top.
8. Have the blade extend about 1/8" above the top of the workpiece. Exposing the blade above this point can be hazardous.

Bevel and Miter Operations

1. A bevel cut is a special type of operation where the saw blade is tilted at an angle less than 90 degrees to the table top. Operations are to be performed in the same manner as ripping or crosscutting. When beveling with the miter gauge, the workpiece must be held firmly to prevent creeping (Figure 44).
2. Crosscuts made at an angle to the edge of the workpiece are called miters. Set the miter gauge at the required angle, lock the miter gauge, and make the cut the same as a normal crosscut, holding the workpiece tightly to prevent creeping (Figure 45).
3. Have the blade extend about 1/8" above the top of the workpiece. Raising the blade above this point increases the risk of injury.

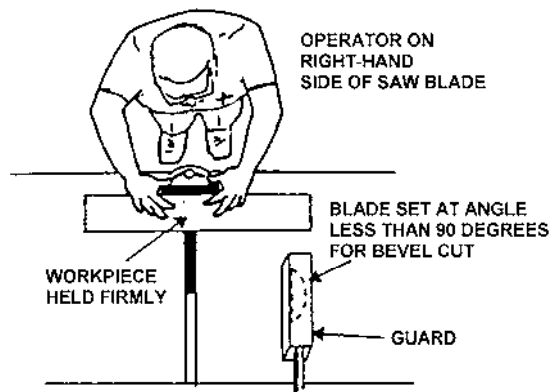


Figure 44

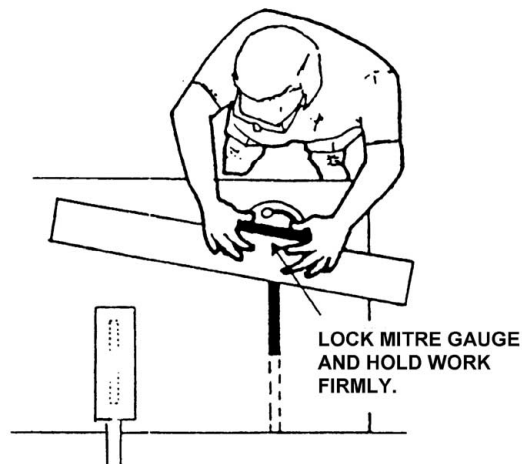


Figure 45

Dado Cutting

The process of cutting 1/8" to 13/16" grooves in workpieces is accomplished by the use of a stacked dado blade set or an adjustable type blade mounted on the saw arbor.

By using various combinations of the stacked dado blades, or properly setting the dial on an adjustable blade, an accurate width dado can be made. This is very useful for shelving, making joints, tenoning, etc.

The guard, splitter and anti-kickback pawls supplied with the saw should be used for all cutting operations where they can be used.

When completing operations where the supplied guard cannot be used, as in some dadoing operations, alternative safety precautions should be taken. These include: push sticks, feather boards, filler pieces, fixtures, jigs and any other appropriate device that can be used to keep operators' hands away from the blade.

Upon completion of the operation requiring removal of the guard, the entire guard assembly must be placed back on the machine in its proper working position.

CAUTION Never use a wedge between arbor collar and saw blade to create a "wobble" dado. Never operate the saw without guard, splitter and anti-kickback pawls for operations where they can be used. Never use a dado head in tilted position.

SAFETY DEVICES

Feather Board (Figure 46)

The Feather Board is to be made of straight grain hardwood approximately 1" thick and 4" to 8" wide. The length is developed in accordance with intended use. Feather Boards can be fastened to the table or rip fence by use of "C" clamps. Drilled and tapped holes in the table top allow the use of wing nuts and washers as a method of clamping. Provide slots in the feather board for adjustment if this method of fastening is used. (See illustration for method of attaching and use of the feather board as a vertical comb. The horizontal application is essentially the same except that the attachment is to the table top).

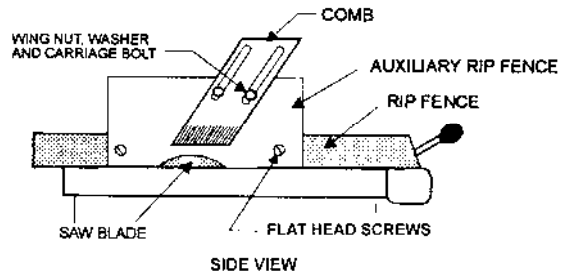
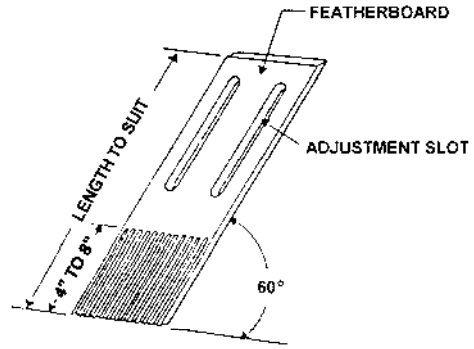


Figure 46

Filler Piece (Figure 47)

A filler piece is necessary for narrow ripping and permits the guard to remain on the machine. It also provides space for the safe use of a push stick.

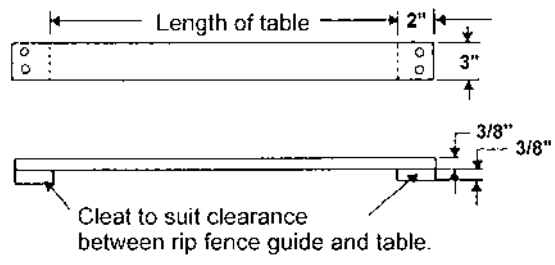
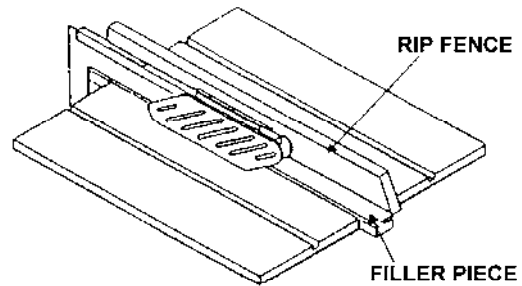


Figure 47

Push Stick (Figure 48)

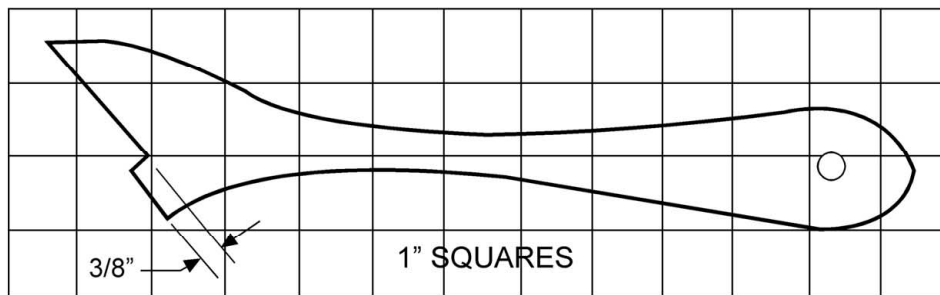


Figure 48

Maintenance

⚠WARNING Before doing maintenance on the machine, disconnect it from the electrical supply by pulling out the plug or switching off the main switch! Failure to comply may cause serious injury.

Good saw operation requires periodic preventive maintenance.

1. Keep the inside of the cabinet and trunnion areas clean. A stiff brush will remove sawdust before it cakes, and pitch or gum is easily removed with a commercial solvent.
2. After cleaning the tilting and raising worm, and worm gear segments, and the

trunnions, grease these three areas with a good grade non-hardening grease.

3. The table surface must be kept clean and free of rust for best results. An occasional coat of paste wax on the table will allow the wood stock to glide smoothly across the work surface.

An alternative is white talcum powder applied with a blackboard eraser rubbed in vigorously once a week to fill casting pores and form a moisture barrier. This method provides a table top that is slick and allows rust rings to be easily wiped from the surface. It is also important to note that talcum powder will not stain wood or mar finishes as wax pickup can.

Optional Accessories

708295	Tenoning Jig
709380	Zero Clearance Insert
708818	Push Stick
709721	Featherboard
2042367	Mobile base for Model 64A with 50" Rip Capacity, Ext. Table and Legs
2042370	Mobile base for Model 64A with 30" Rip Capacity, Ext. Table and Legs
2195076K	Accu-Fence system, 30"
2195077K	Accu-Fence system, 50"
6290550	Miter Gauge
6290694	Table insert.
6290695	Dado insert.
6441000Z	Legs, set of two.
6682004	Rout-R-Lift.
6827029	Model 64A 27" x 35-5/8" Extension Table
6827033	Model 64A 27" x 35-5/8" Extension Table for Rout-R-Lift
6827034	Model 64A 27" x 17" Extension Table for Rout-R-Lift
6827036	Model 64A 27" x 17" Extension Table

Troubleshooting

Trouble	Probable Cause	Remedy
Tablesaw will not start.	No incoming power.	Check all plug connections.
	Fuse blown, or circuit breaker tripped.	Replace fuse, or reset circuit breaker.
	Cord damaged.	Replace cord.
Excessive vibration.	Tilting or Raising lock knobs not tightened.	Tighten lock knobs on handwheels.
	Tablesaw not resting evenly on floor.	Use shims as needed.
	Blade out of balance.	Replace blade.
	Pulley loose.	Check motor pulley and spindle pulley. Tighten set screws if needed.
	Belt is worn or frayed.	Replace belt.
	Motor not functioning properly.	Have motor checked by a qualified inspector. Repair or replace.
Cuts out-of-square when crosscutting.	Miter gauge out of adjustment.	Re-set stops and pointer on gauge (pages 18 and 19).
	Miter slot misaligned.	Re-align table to blade (page 19).
Motor stalls or workpiece binds or burns.	Excessive feed.	Reduce feed.
	Dull or incorrect blade.	Replace blade; use proper type of blade for cut needed.
	Miter slot misaligned.	Re-align table to blade (page 19).
	Fence misaligned.	Re-align fence (see Accu-Fence® manual).
	Motor malfunction.	Have motor checked by a qualified inspector. Repair or replace.
Cuts not true at 90 or 45 degrees.	Stop screws not set properly.	Re-adjust set screws (page 18).
Tilting or Raising handwheel difficult to turn.	Lock knob not released.	Loosen lock knob.
	Worm and worm gear segment caked with sawdust and pitch.	Clean and re-grease worm and worm gear segment.
	Worm and worm gear segment out of alignment.	Re-align worm with segment.
Motor overheats	Motor overloaded.	Identify and correct overload condition, e.g. excessive feed rate of stock.
	Improper cooling of motor; lack of air circulation.	Clean sawdust from fan and duct areas of motor.

Trouble	Probable Cause	Remedy
Motor starts slowly or fails to come up to full speed.	Low voltage.	Request voltage check from power company and correct low voltage condition.
	Centrifugal switch not operating.	Replace centrifugal switch (qualified personnel only).
	Motor malfunction.	Have motor checked by a qualified inspector. Repair or replace.
Motor fails to develop full power.	Power line overloaded.	Correct overload condition.
	Undersized wires in supply system.	Increase supply wire size.
	Low voltage.	Request voltage check from power company and correct low voltage condition.
	Motor malfunction.	Have motor checked by a qualified inspector. Repair or replace.

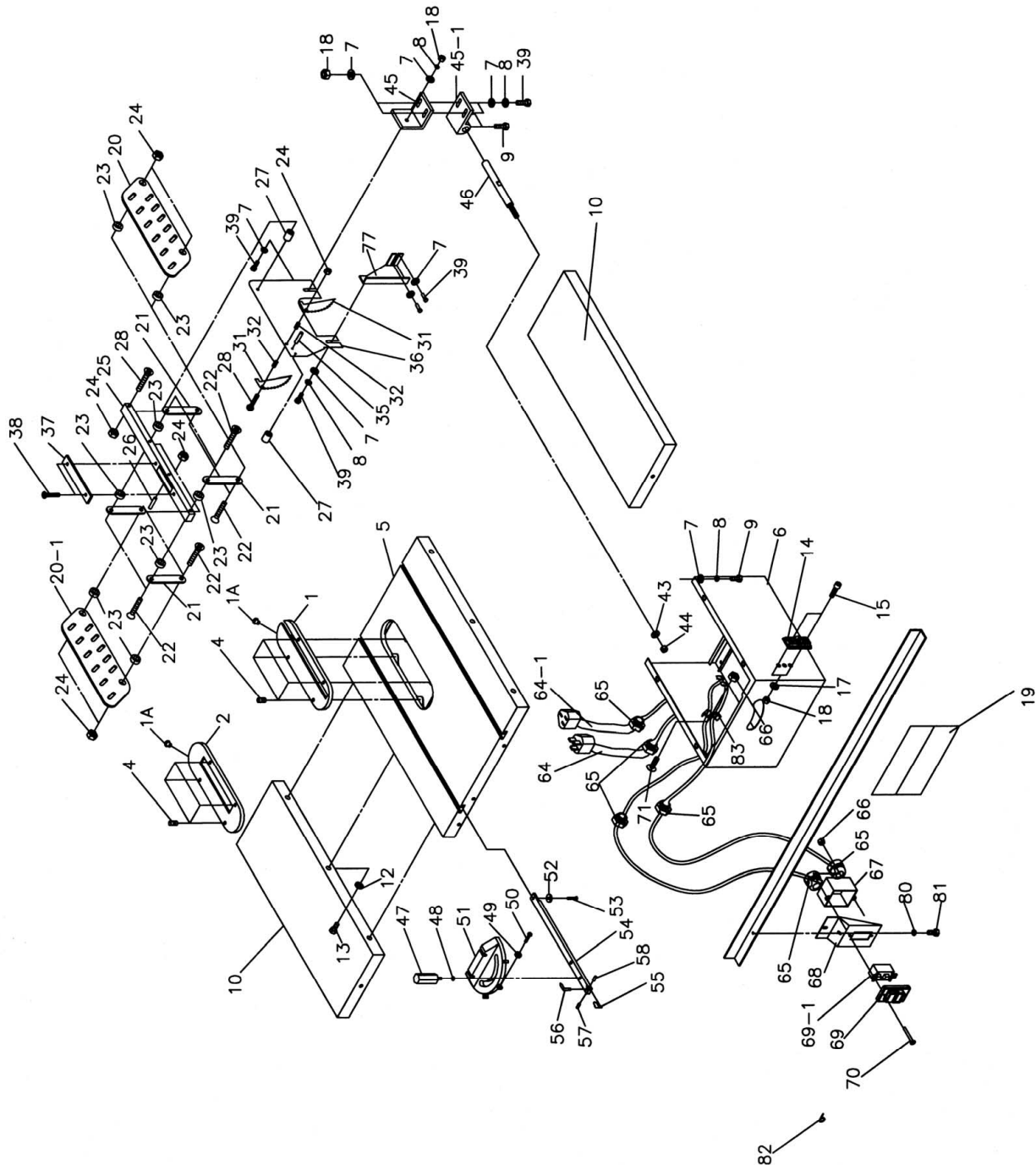
Replacement Parts

Replacement parts are listed on the following pages. To order parts or reach our service department, call 1-800-274-6848, Monday through Friday (see our website for business hours, www.powermatic.com). Having the Model Number and Serial Number of your machine available when you call will allow us to serve you quickly and accurately.

Parts List: Table Saw, Extension Wings and Guard

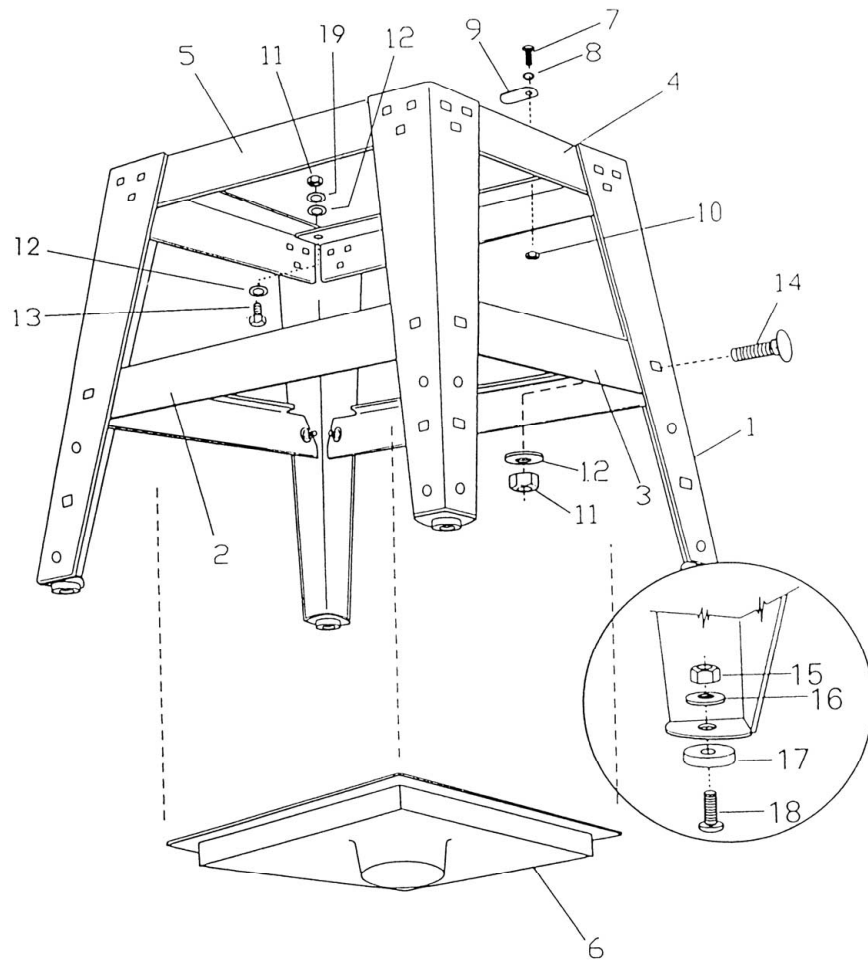
Index No.	Part No.	Description	Size	Qty
1	6290694	Table Insert		1
1-A	6291342	Rubber spacer		2
2	6290695	Dado Insert		1
4	6290502	Socket Set Screw	1/4-20 x 5/16	8
5	6290696	Table		1
6	6290697	Cabinet		1
7	6290505	Flat Washer	5/16	15
8	6290506	Spring Washer	5/16	9
9	6290507	Hex Head Screw	5/16-18 x 5/8	6
10	6290698	Extension Wing		2
12	6290511	Spring Washer	7/16	6
13	6290512	Hex Head Screw	7/16-14 x 1-1/4	6
14	6290513	Bracket		1
15	6290514	Hex Socket Cap Screw	5/16-18 x 3/4	2
17	6290515	Flat Washer	5/16 x 23mm	2
18	6290516	Hex Nut	5/16-18	6
19	6290699	Scale		1
	6291339	Guard Assembly		1
20	6290517	Blade Guard (R)		1
20-1	6290669	Blade Guard (L)		1
21	6290518	Pivot Arm		4
22	6290519	Flat Head Screw	1/4-20 x 5/8	8
23	6290520	Flat Washer	1/4 x 23mm	8
24	6290521	Nylon Nut	1/4- 20	10
25	6290522	Support Arm		1
26	6290523	Spring Pin	3.5 x 20mm	1
27	6290524	Bushing		2
28	6714056	Flat Head Screw	1/4-20 x 1	2
31	6290529	Anti-Kickback Pawl		2
32	6290530	Spring		2
35	6290533	Spring Pin	5 x 40mm	1
36	6290673	Splitter		1
37	6290535	Plate		1
38	6291371	Flat Head Screw	1/4-20 x 1/4	2
39	6290620	Hex Head Screw	5/16-18 x 1	6
43	6291328	Flat Washer	1/2	1
44	6291329	Nut	1/2-12	1
45	6291372	Upper Blade Guard Bracket		1
45-1	6291330	Lower Blade Guard Bracket		1
46	6291337	Shaft		1
	6290550	Mitre Gauge Assembly (Items 47-58)		1
47	6290547	Mitre Gauge Handle		1
48	6291546	Fiber Washer		1
49	6290548	Hex Head Nut	5/32-32	3
50	6290549	Pan Head Screw	5/32-32 x 5/8	3
51	6290671	Mitre Gauge Head		1
52	6290551	Guide Washer		1
53	6290552	Flat Head Screw	1/4-20 x 5/32	1
54	6290553	Bar		1
55	6290554	Stop Link		1
56	6290555	Pointer		1
57	6290556	Socket Set Screw	1/4-20 x 1/4	1
58	6290557	Spring Pin	3 x 6.5mm	1
	6291377	Switch Assembly (Items 66 thru 70 & 82)		1
64	6290629	Power Cord		1
64-1	6291373	Power Cord (Junction to Switch)		1
65	6290630	Clamp	7W2	6

66	6291335	Nut	3/16-24	2
67	6291366	Switch Box		1
68	6291367	Switch Bracket		1
69	6291368	Switch		1
70	6291338	Pan Head Screw	3/16-24 x 1-1/2	2
71	6291375	Pan Head Screw	3/16-24 x 5/8	1
77	6290672	Splitter Mounting Plate		1
80	6291344	Spring Washer		1
81	6291345	Hex Head Screw	1/4-20 x 3/4	1
82	6291359	Safety Key		1
83	6291376	Cord Clip		1
	6291336	Hardware Kit (Not shown)		1



Parts List: Stand Assembly

Index No.	Part No.	Description	Size	Qty
1	6290646	Leg		4
2	6290650	Bottom Long Bracket		2
3	6290648	Bottom Short Bracket		2
4	6290647	Top Short Bracket		2
5	6290649	Top Long Bracket		2
6	6290645	Dust Cover		1
7	6290664	Pan Head Screw	3/16-24 x 5/8	2
8	6290665	Star Washer	3/16	2
9	6290666	Plate		2
10	6290663	Hex Nut	3/16-24	2
11	6290652	Hex Nut	5/16-18	36
12	6290654	Flat Washer	5/16 x 18mm	40
13	6290655	Hex Head Screw	5/16-18 x 1	4
14	6290651	Carriage Bolt	5/16-18 x 5/8	32
15	6290640	Hex Nut	1/4-20	4
16	6290675	Flat Washer	1/4 x 16mm	4
17	6290676	Rubber Grommet		4
18	6290677	Pan Head Screw	1/4-20 x 1	4
19	6291358	Spring Washer	5/16	4

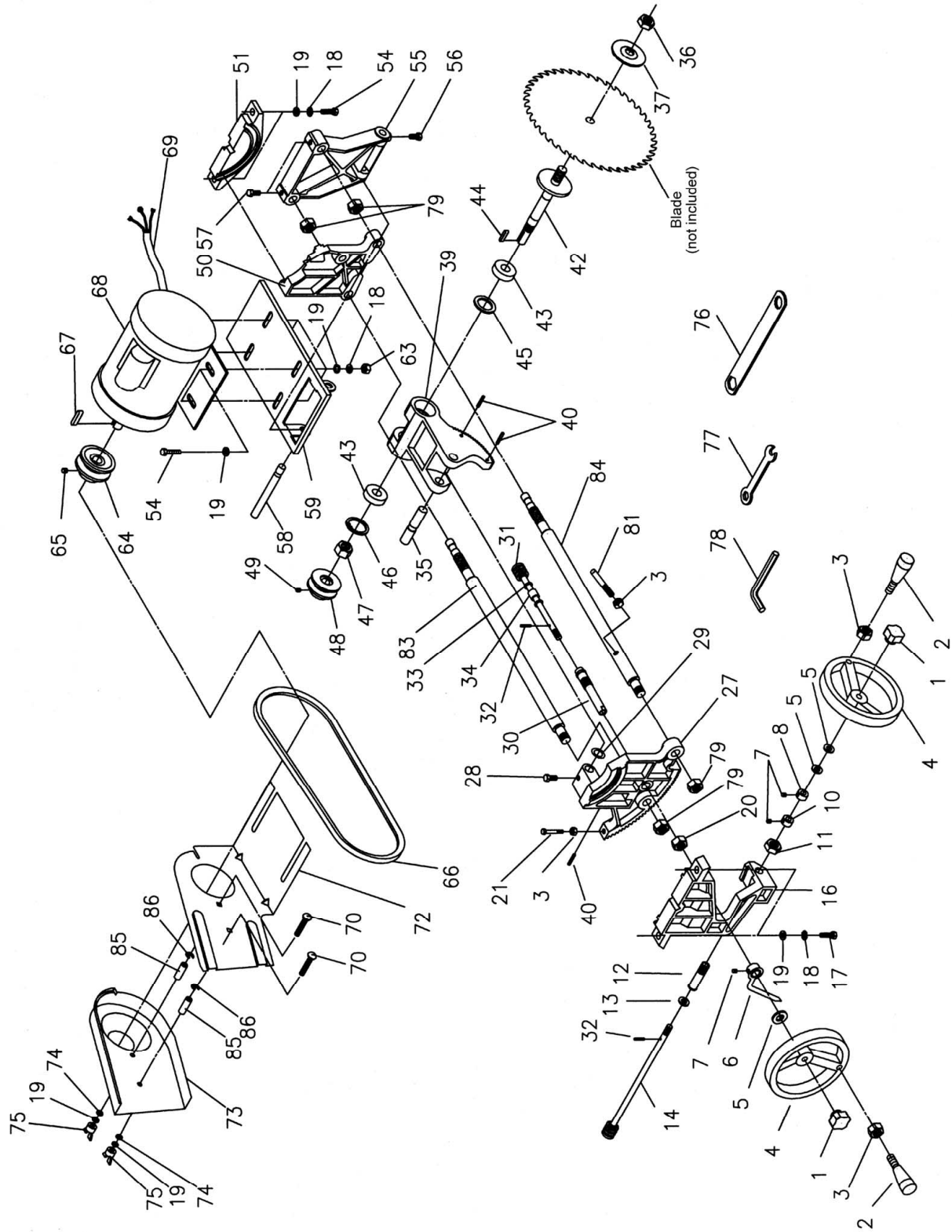


Parts List: Motor and Trunnion Assembly

Index No.	Part No.	Description	Size	Qty
1	6290563	Knob		2
2	6290565	Handle		2
3	6290566	Nut, Hex Hd	3/8-16	4
4	6290564	Handwheel		2
5	6290567	Flat Washer	3/8	3
6	6290678	Pointer		1
7	6290569	Set Screw	1/4-20 x 1/4	3
8	6290660	Spacer		2
11	6290574	Nut	9/16 -20UNF	1
12	6290573	Eccentric		1
13	6290576	Fiber Washer		1
14	6290572	Worm Gear		1
16	6290679	Bracket		1
17	6290578	Hex Head Screw	5/16-18 x1-1/4	2
18	6290580	Spring Washer	5/16	8
19	6290579	Flat Washer	5/16	14
20	6290581	Nut	5/16-18UNF	1
21	6291380	Bolt	3/8-16 x 2-3/4	1
26	6290588	Spring Pin	5 x 25mm	3
27	6290686	Angle Regulator		1
28	6291381	Hex Head Screw	5/16-18 x 1/2	1
29	6290590	Wave Washer	31x16	1
30	6290591	Eccentric Sleeve		1
31	6290592	Worm & Shaft		1
32	6290593	Pin	3.5 x 24mm	1
33	6290594	Fiber Washer	5/8	2
34	6290595	Collar		1
35	6290596	Pin		1
36	6290693	Nut, Special		1
37	6290598	Spindle Collar		1
39	6290681	Bracket		1
42	6291379	Arbor		1
43	6286706	Bearing	6203ZZ	2
44	6290604	Key	5 x 5 x 25	1
45	6290685	Retaining Ring		1
46	6290606	C-Snap Ring		1
47	6290607	Hex Nut	5/8-24UNF	1
48	6291370	Spindle Pulley		1
49	6290609	Set Screw	5/16-18 x 5/16	1
50	6290680	Rear Bracket		1
51	6290611	Rear Trunnion Bracket		1
54	6291382	Hex Head Screw	5/16-18 x 1	6
55	6290687	Motor Bracket		1
56	TS-0050031	Hex Cap Screw	1/4-20 x 3/4	1
57	6291383	Hex Head Screw	5/16-18 x 5/16	2
58	6290618	Pin		1
59	6290619	Motor Bracket		1
63	6290623	Hex Nut	5/16-18	4
64	6291369	Motor Pulley		1
65	6290625	Set Screw	1/4-20 x 1/4	1
66	6290688	Belt	3VX-470	1
67	6290627	Key	5 x 5 x 25	1
68	6290689	Motor		1
69	6290631	Electrical Cord (Junction to Motor)		1
70	6291384	Carriage Bolt	5/16-18 x 1-3/4	2
72	6291385	Pulley Cover Seat		1
73	6291386	Outer Cover		1

74.....	6291325.....	Fiber Washer.....	5/16.....	2
75.....	6285540.....	Wing Nut.....	5/16-18.....	2
76.....	6290642.....	Wrench.....	#23.....	1
77.....	6290643.....	Wrench.....	12-14.....	1
78.....	6290644.....	Hex Wrench.....	3mm.....	1
79.....	6291361.....	Hex Head Nut (L.H.Threads).....	5/8-18 UNF.....	4
81.....	6290641.....	Screw.....	3/8-16 x 2.....	1
83.....	6291362.....	Link Bar, L.H. Threads.....		1
84.....	6291363.....	Link Bar, L.H. Threads.....		1
85.....	6290670.....	Bushing.....		2
86.....	6291378.....	E-Ring.....	ETW8.....	2

Motor and Trunnion Assembly





WMH Tool Group, Inc.
2420 Vantage Drive
Elgin, Illinois 60124
Phone: 800-274-6848
www.powermatic.com
www.wmhtoolgroup.com

Free Manuals Download Website

<http://myh66.com>

<http://usermanuals.us>

<http://www.somanuals.com>

<http://www.4manuals.cc>

<http://www.manual-lib.com>

<http://www.404manual.com>

<http://www.luxmanual.com>

<http://aubethermostatmanual.com>

Golf course search by state

<http://golfingnear.com>

Email search by domain

<http://emailbydomain.com>

Auto manuals search

<http://auto.somanuals.com>

TV manuals search

<http://tv.somanuals.com>