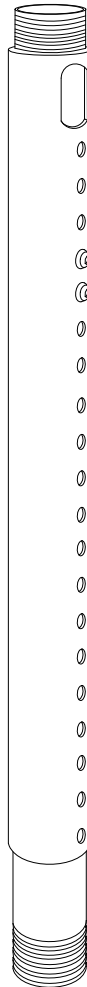


## INSTALLATION INSTRUCTIONS



### **APP-2446**

#### Adjustable Suspension Adapter

---

#### **NORTH AMERICA**

3130 East Miraloma Avenue  
Anaheim, CA 92806 USA  
USA and Canada –  
Phone: 800-368-9700  
Fax: 800-832-4888

#### **EUROPE**

Swallow House,  
Shilton Industrial Estate,  
Shilton, Coventry, England CV79JY  
Phone: +44 (0) 2476 614700  
Fax: +44 (0) 2476 614710

#### **AUSTRALIA, NEWZEALAND, OCEANIA (DISTRIBUTOR)**

P.O. Box 295  
Mordialloc Victoria 3195  
Australia  
Phone: 03 9586 63 30  
[www.premiermounts.com.au](http://www.premiermounts.com.au)

Other Locations – Phone: (001)-714-632-7100; Fax: (001)-714-632-1044

©Premier Mounts 2008



## Table of Contents

Warning Statements ..... - 2 -  
 Parts List ..... - 3 -  
 Installation Tools ..... - 3 -  
 APP-2446 Installation ..... - 4 -  
 PBC Ceiling Installation ..... - 4 -  
 Technical Specifications ..... - 5 -  
 Warranty ..... - 6 -

### Warning Statements



THE CEILING STRUCTURE MUST BE CAPABLE OF SUPPORTING AT LEAST FIVE TIMES THE WEIGHT OF THE PROJECTOR OR FLAT PANEL DISPLAY. IF NOT, THE CEILING WILL HAVE TO BE REINFORCED. PROPER INSTALLATION PROCEDURES BY A QUALIFIED TECHNICIAN, AS OUTLINED IN THE INSTALLATION INSTRUCTIONS, MUST BE ADHERED TO. FAILURE TO DO SO COULD RESULT IN PERSONAL INJURY AND/OR DAMAGE TO THE PROJECTOR. DO NOT ATTACH MORE THAN 160LBS. TO THIS ADAPTER.



PREMIER MOUNTS DOES NOT WARRANT AGAINST DAMAGE CAUSED BY THE USE OF ANY PREMIER MOUNTS PRODUCT FOR PURPOSES OTHER THAN THOSE FOR WHICH IT WAS DESIGNED OR DAMAGE CAUSED BY UNAUTHORIZED ATTACHMENTS OR MODIFICATIONS, AND IS NOT RESPONSIBLE FOR ANY DAMAGES, CLAIMS, DEMANDS, SUITS, ACTIONS OR CAUSES OF ACTION OF WHATEVER KIND RESULTING FROM, ARISING OUT OF OR IN ANY MANNER RELATING TO ANY SUCH USE, ATTACHMENTS OR MODIFICATIONS.



DO NOT REMOVE THE SCREWS COMPLETELY FROM THE EXTENSION WHEN MAKING A HEIGHT ADJUSTMENT WHILE THE CEILING PLATE IS SECURED TO THE CEILING OR THE WALL. LOOSEN, ADJUST, AND THEN RE-TIGHTEN THE SCREWS. FAILURE TO DO SO COULD RESULT IN PERSONAL INJURY AND/OR DAMAGE TO THE PROJECTOR.



SAFETY MEASURES MUST BE PRACTICED AT ALL TIMES DURING THE INSTALLATION OF THIS PRODUCT. USE PROPER SAFETY GEAR AND TOOLS FOR THE INSTALLATION PROCEDURE TO PREVENT PERSONAL INJURY.



PRIOR TO THE INSTALLATION OF THIS PRODUCT, THE INSTALLATION INSTRUCTIONS SHOULD BE READ AND COMPLETELY UNDERSTOOD. THE INSTALLATION INSTRUCTIONS MUST BE READ TO PREVENT PERSONAL INJURY AND PROPERTY DAMAGE. KEEP THESE INSTALLATION INSTRUCTIONS IN AN EASILY ACCESSIBLE LOCATION FOR FUTURE REFERENCE.



Indicates that the power plug is to be disconnected from the power outlet.



Contact Premier Mounts with any questions – (800) 368-9700.



Safety precautions must be taken at all times.



Warning and Caution statements.



A secure structure must support the weight, or load, of the display/projector. When mounting to a ceiling that contains wooden studs, dead center of the wooden stud must be confirmed prior to installation.



Do not install on a structure that is prone to vibration, movement or chance of impact. Failure to do so could result in damage to the display/projector and/or damage to the mounting surface.



Do not install near heater, fireplace, direct sunlight, air conditioning or any other source of direct heat energy. Failure to do so may result in damage to the display/projector and could increase the risk of fire.



At least two qualified people should perform the installation procedure. Injury and/or damage can result from dropping or mishandling the display/projector.



Recommended mounting surfaces: wooden studs and solid-flat concrete. If the mount is to be installed on any surface other than wooden studs, use suitable hardware (which is commercially available).


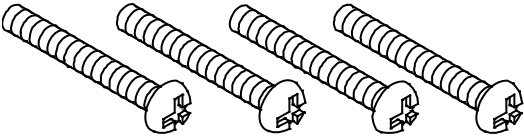
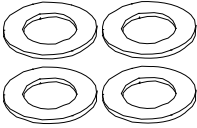


## Parts List



### Note

This adapter is shipped with the following installation hardware and components. Make sure that none of these parts are missing and/or damaged before beginning installation. If there are parts missing and/or damaged, please stop the installation and contact Premier Mounts (800-368-9700).

<p>Extension Adapter (Qty 1)</p> 	<p>M8 x 16mm Phillips Head Screws (Qty 4)</p> 
	<p>M8 Wave Washer (Qty 4)</p> 

## Installation Tools

Phillips Head Screw Driver

Ladder



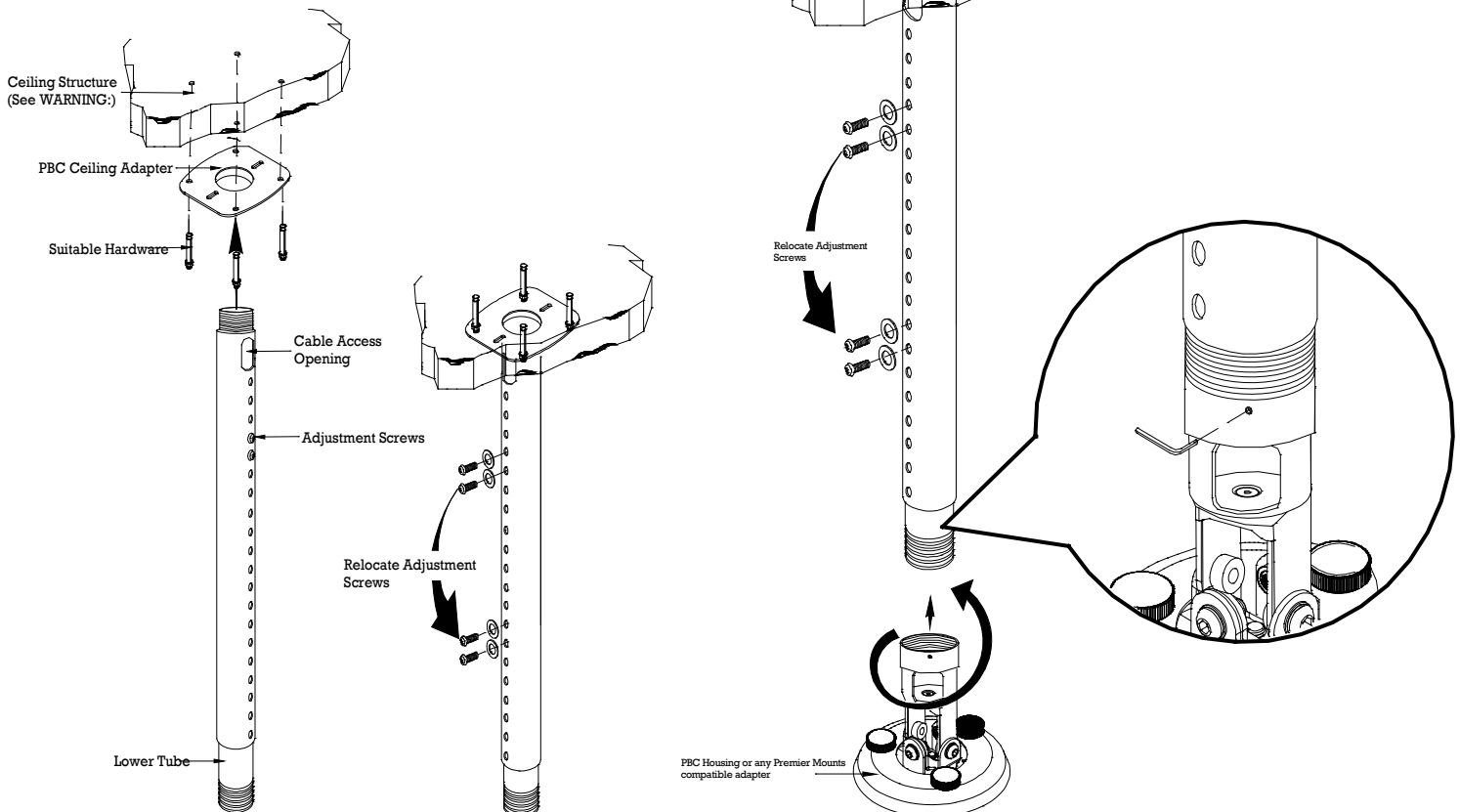
## APP-2446 Installation

1. Determine your mounting configuration. Follow the provided instructions to attach the ceiling accessory that will be used.
2. Thread the APP-2446 Adapter into the ceiling accessory.
3. Turn the APP-2446 Adapter five (5) complete turns before releasing the APP-2446 Adapter.
3. Once the APP-2446 Adapter is attached, tighten all mounting hardware.
4. Use the set screw (supplied) to secure the connecting pipe.
5. Once the APP-2446 Adapter has been attached to the ceiling accessory, you may install the projector/display mount. Be sure to follow the installation instructions that are supplied with the projector/display mount.

## PBC Ceiling Installation



MAKE SURE TO HOLD THE PLASMA DISPLAY OR PROJECTOR SECURELY OR REMOVE IT FROM THE MOUNT TO MAKE THE HEIGHT ADJUSTMENT PRIOR TO LOOSENING THE ADJUSTMENT SCREWS. DO NOT REMOVE THE SCREWS COMPLETELY FROM THE EXTENSION ALL AT ONCE. LOOSEN, REMOVE, ADJUST THEN RE-TIGHTEN THE SCREWS. FAILURE TO DO SO COULD RESULT IN INJURY AND OR DAMAGE TO THE PLASMA DISPLAY OR PROJECTOR. IF POSSIBLE, ALL ADJUSTMENTS SHOULD BE MADE PRIOR TO ATTACHING THE DISPLAY OR PROJECTOR.

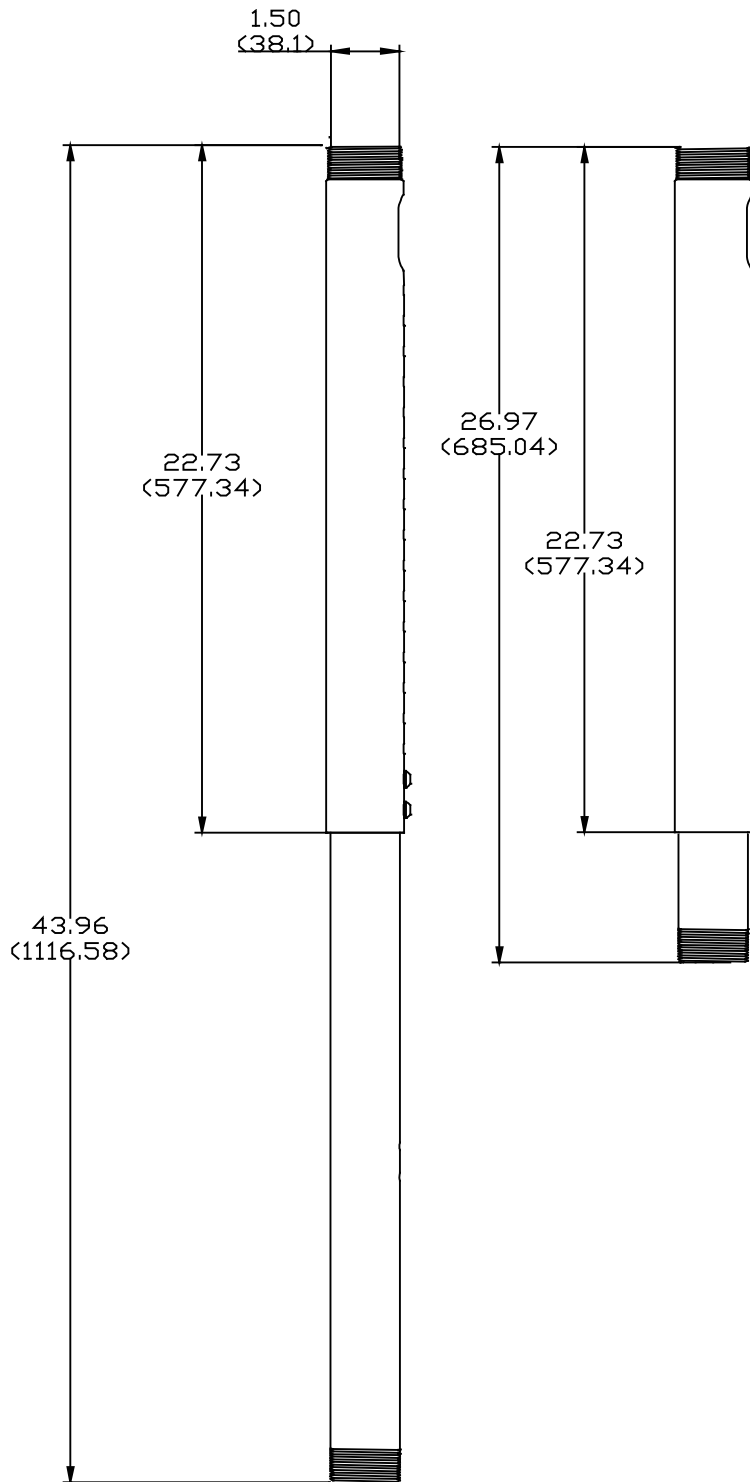


1. Secure the PBC ceiling plate or any 1-1/2 (NPT) pipe-receiving adapter to the ceiling (see warning).
2. Use suitable hardware (commercially available) depending on your installation environment to secure the four (4) mounting points found on the ceiling plate to the ceiling structure.
3. Thread the PBC or any of Premier Mounts compatible adapters to the bottom of the APP-2446 and secure it with the Allen Key (supplied with the PBC).
4. Refer to the PBC installation instructions to complete the installation.



### Technical Specifications

All measurements are in inches(mm).





## Warranty

### PREMIER MOUNTS LIMITED LIFETIME WARRANTY

#### **What and Who is Covered by this Limited Warranty and for How Long**

Premier Mounts warrants this product to be free from defects in material and workmanship for the lifetime of the original installation of this product. The limited warranty is valid only for the original purchaser of the product.

#### **What Premier Mounts Will Do**

At the sole option of Premier Mounts, Premier Mounts will repair or replace any product or product part that is defective. If Premier Mounts chooses to replace a defective product or part, a replacement product or part will be shipped to you at no charge, but you must pay any labor costs.

#### **What is Not Covered; Limitations**

**PREMIER MOUNTS DISCLAIMS ANY LIABILITY FOR DAMAGE TO MOUNTS, ADAPTERS, DISPLAYS, PROJECTORS, OTHER PROPERTY, OR PERSONAL INJURY RESULTING, IN WHOLE OR IN PART, FROM IMPROPER INSTALLATION, MODIFICATION, USE OR MISUSE OF ITS PRODUCTS.**

**PREMIER MOUNTS DISCLAIMS ALL OTHER WARRANTIES, EXPRESS OR IMPLIED, INCLUDING WARRANTIES OF MERCHANTABILITY AND FITNESS FOR A PARTICULAR PURPOSE. PREMIER MOUNTS IS NOT RESPONSIBLE FOR INCIDENTAL OR CONSEQUENTIAL DAMAGES, INCLUDING BUT NOT LIMITED TO, INABILITY TO USE ITS PRODUCTS OR LABOR COSTS FOR REMOVING AND REPLACING DEFECTIVE PRODUCTS OR PARTS. SOME STATES DO NOT ALLOW THE EXCLUSION OR LIMITATION OF INCIDENTAL OR CONSEQUENTIAL DAMAGES, SO THE ABOVE LIMITATION OR EXCLUSION MAY NOT APPLY TO YOU.**

#### **What Customers Must Do for Limited Warranty Service**

If you discover a problem that you think may be covered by the warranty you **MUST REPORT** it in writing to the address below within thirty (30) days. Proof of purchase (an original sales receipt) from the original consumer purchaser must accompany all warranty claims. Warranty claims must also include a description of the problem, the purchaser's name, address, and telephone number. General inquiries can be addressed to Premier Mounts Customer Service at 1-800-368-9700. Warranty claims will not be accepted over the phone or by fax.

Premier Mounts  
Attn: Warranty Claim  
3130 E. Miraloma Avenue  
Anaheim, CA 92806

#### **How State Law Applies**

**THIS WARRANTY GIVES YOU SPECIFIC LEGAL RIGHTS, AND YOU MAY ALSO HAVE OTHER RIGHTS WHICH VARY FROM STATE TO STATE.**

## Free Manuals Download Website

<http://myh66.com>

<http://usermanuals.us>

<http://www.somanuals.com>

<http://www.4manuals.cc>

<http://www.manual-lib.com>

<http://www.404manual.com>

<http://www.luxmanual.com>

<http://aubethermostatmanual.com>

Golf course search by state

<http://golfingnear.com>

Email search by domain

<http://emailbydomain.com>

Auto manuals search

<http://auto.somanuals.com>

TV manuals search

<http://tv.somanuals.com>